



YOSEMITE
HOME DÉCOR

Electric Fireplace Instruction Manual

Built-in Fireplaces DF-EFP1313-BLT

Yosemite Home Décor

1-800-305-9872

www.YosemiteHomeDecor.com



Quick Reference Guide

1. Prior to installation, please ensure:
 - a. The fireplace operates properly by plugging the power supply cord into a conveniently located 120 volt grounded outlet.
 - b. The light bulb in your fireplace is in good condition. Light bulbs may become loose during shipping. If the flame effect is dim or does not work, please check that light bulb or bulbs are finger tight in socket. See instructions for Bulb replacement.
2. The electric fireplace heater may emit a slight harmless odor when first used. This odor is a normal condition caused by the initial heating of internal parts and will not occur again.
3. If your heater does not emit heat, please ensure the Heater switch is in 'ON' position.
4. Find a location for the electric fireplace that is protected from direct sunlight.
5. Read the Instruction Manual 1st before plugging the unit into the power.

Table of Content

Important Safety Instructions	Page 4
Packing List	Page 5
Installation Instructions	
Wall Installation	Page 6
Built-in Installation	Page 7
Coals and Crystal Installation	Page 9
Electrical Works Instructions	Page 10
Grounding Instructions	Page 10
Operating Instruction	Page 11
Troubleshooting Guide	Page 13
Yosemite Warranty	Page 14

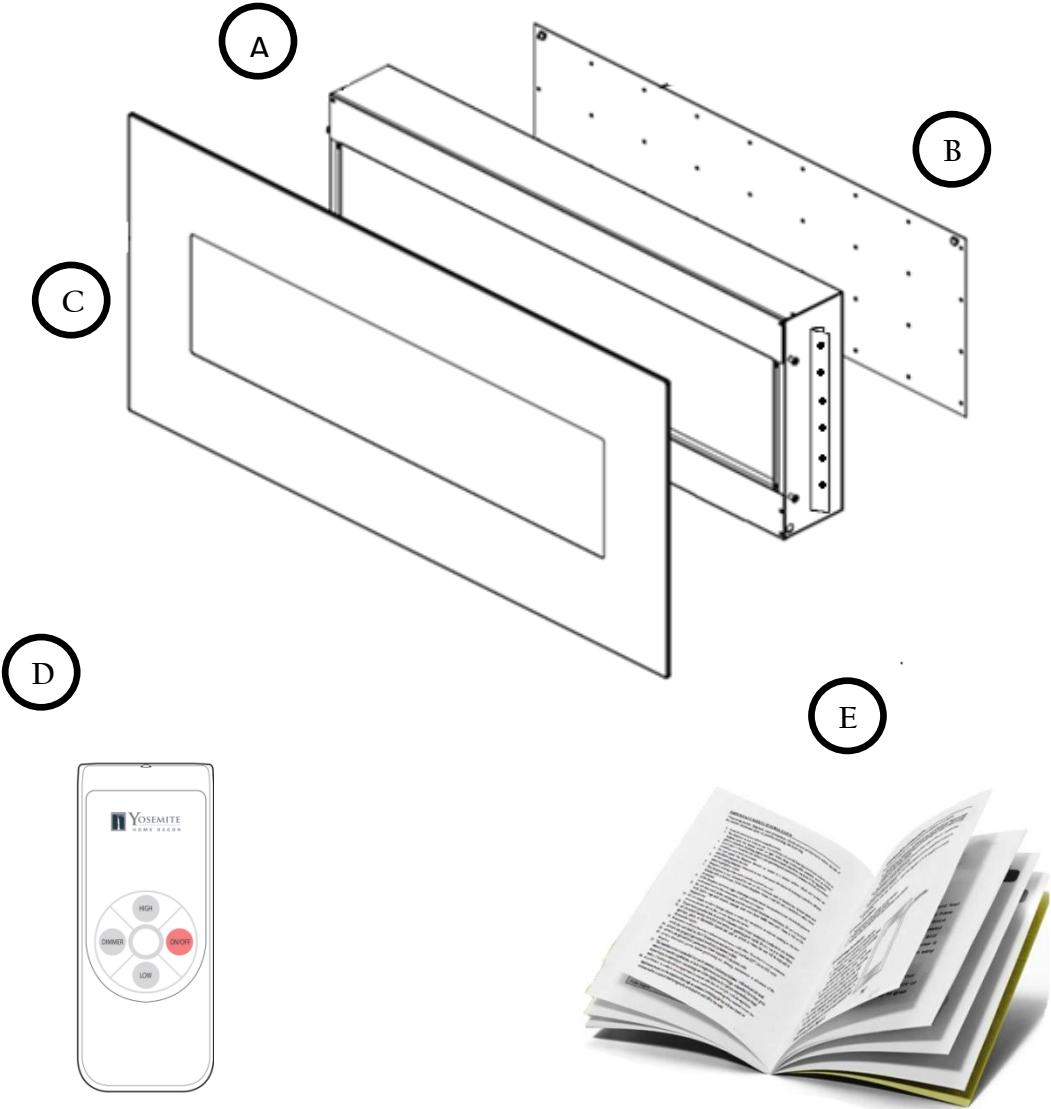
IMPORTANT SAFETY INSTRUCTIONS

When using electric fireplaces, basic precautions should always be followed to reduce the risk of fire, electric shock and injury to persons, including the following:

1. Read all instructions before using this heater.
2. This fireplace is hot when in use. To avoid burns, do not let bare skin touch hot surfaces, such as surfaces near the heater outlet or light bulbs. Keep combustible materials such as clothes, pillows, furniture, bedding, papers and curtains at least 3 feet from the front of this appliance.
3. **CAUTION:** Whenever the heater is left operating and unattended, extreme caution is necessary if children or invalids are nearby.
4. Do not install the fireplace directly on carpet or a similar surface, which may restrict air circulation beneath the unit.
5. Always unplug fireplace when not in use. Disconnect the heater by turning controls to off then remove plug from outlet before performing any cleaning, maintenance or relocation of the fireplace.
6. Fireplace is designed for indoor and household use only.
7. This fireplace is not intended for use in wet locations such as bathrooms, laundry areas and similar indoor locations. Never locate fireplace where it may fall into a bathtub or other water container.
8. If the fireplace shows any signs of damage or if the heater has malfunctioned. Return fireplace to authorized service for examination, adjustment or repair.
9. Do not run cord under carpeting or route cord under furniture or appliance. Do not cover cord with throw rugs and runners. Arrange cord away from traffic areas and where it will not be tripped over.
10. Do not insert or allow foreign objects to enter any ventilation or exhaust opening as this may cause an electric shock, fire, or may damage the heater.
11. All electrical heaters have hot and arcing or sparking parts inside. Do not use it in areas where gasoline, paint, or flammable liquids are used or stored or where the unit will be exposed to flammable vapours.
12. Always use properly grounded, fused and polarized outlets. Always use ground fault protection where required by electrical code.
13. Extension cord may become overheat and may cause a risk of fire. If you have to use an extension cord, the cord shall be 16AWG minimum size and rate not less than 125V/15A or 2500 watts.
14. This appliance is not intended for use by persons (including children) with reduced physical, sensory or mental capabilities, or lack of experience and knowledge, unless they have been given supervision or instruction concerning use of the appliance by a person responsible for their safety. Children should be supervised to ensure that they do not play with the appliance.
15. **CAUTION:** In order to avoid a hazard due to inadvertent resetting of the thermal cutout, this appliance must not be supplied through an external switching device such as a timer, or connected to a circuit that is regularly switched on and off by the utility.

PACKING LIST

<u>Parts list</u>	<u>Quantity</u>
A. Fireplace/Firebox	1
B. Mounting Plate	1
C. Glass Front.....	1
D. Remote Control	1
E. Instruction Manual	1



INSTALLATION INSTRUCTIONS

A. Wall Installation

Due to the many different finish materials used on walls, it is highly recommended that you consult your local builder before you install this fireplace on the wall.

1. The fireplace may be hanged on any wall surface that can support its weight and where it can be leveled. It is important that the wall on to which the fireplace is to be installed is of sound construction.
2. The fireplace must be kept away from any source of damp or moist conditions. Avoid any close contact with water. And a minimum of 3 feet away from any combustible material is a must.
3. Select the position of the fireplace on the wall to which it is to be mounted. There are keyholes located at the back of the fireplace. Drill a hole according to the position of the keyholes.
4. Use strong screws to mount it onto the wall. Each of the screws needs to come 8mm out of the wall. Ensure that the screws are solidly mounted.
5. Have two or more people hold the fireplace. Lift the fireplace and place the keyhole slots situated on the back of the fire. A gentle application of downward pressure will lock it into place. Make sure *all* of the pins have been located into the top section of each keyhole fixing slot. See figure 1 & 2

Fig. 1

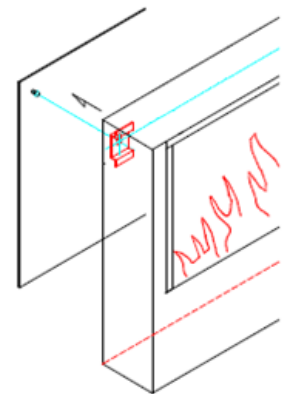


Fig. 2



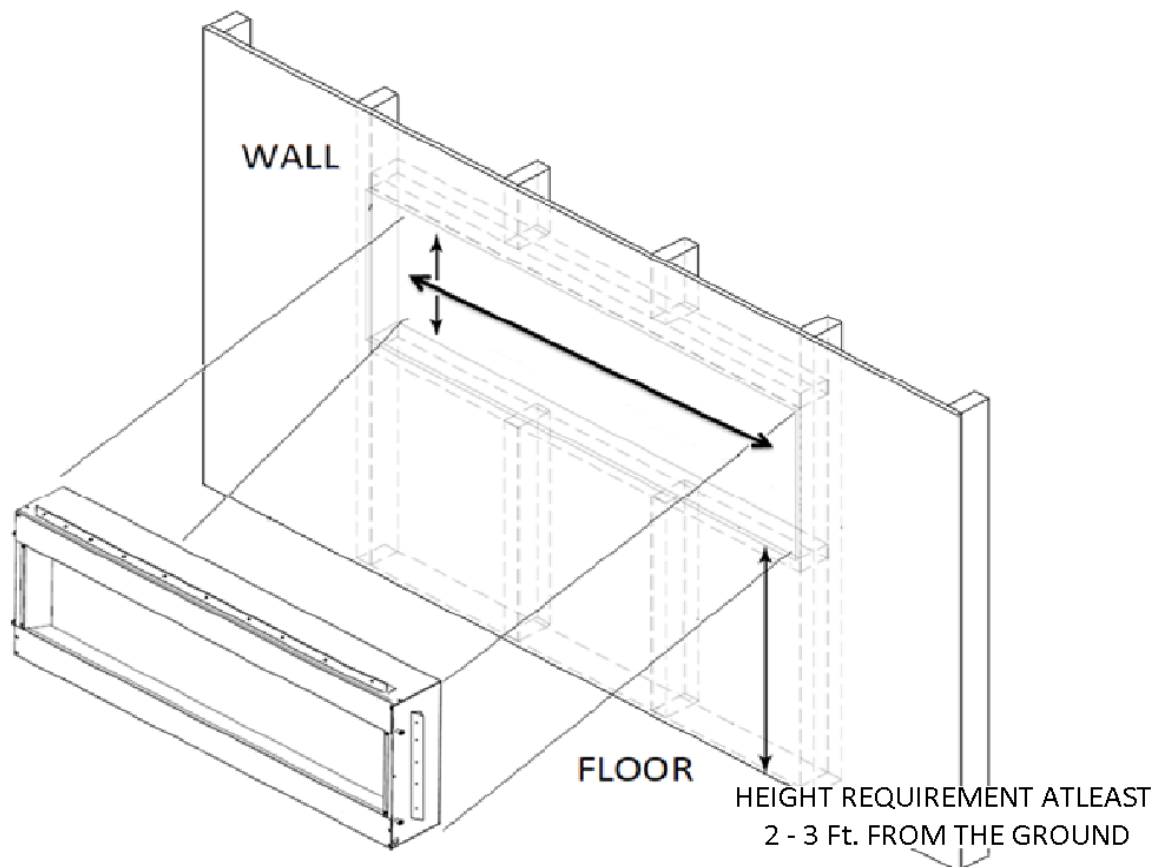
B. Built-in Installation

Due to the many different finish materials used on walls, it is highly recommended that you consult your local builder before you install this fireplace on the wall.

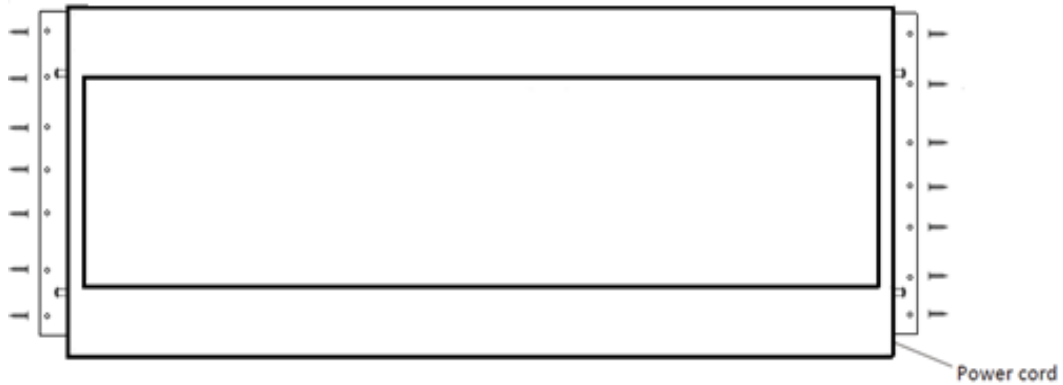
1. Select a suitable location for your fireplace.
2. Prepare a frame opening according to the dimension of the firebox. Put an allowance of $\frac{1}{2}$ inches to its width and height dimensions. Kindly refer to the chart below.

MODEL#	FIREBOX DIMENSION			FRAME OPENING DIMENSION with 1/2" ALLOWANCE		Depth
	Width	Height	Depth	Width	Height	
DF-EFP1313-BLT	82.21"	21.34"	7.75"	82.71"	21.84"	5.00"

3. Lift fireplace and insert into opening. Adjust the unit to achieve the desired amount of depth.

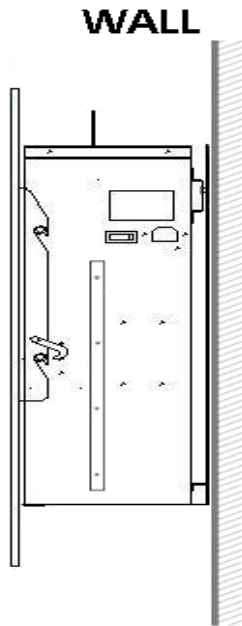


- Level the fireplace.
- Drive mounting screws into mounting brackets on the unit and the wall studs.

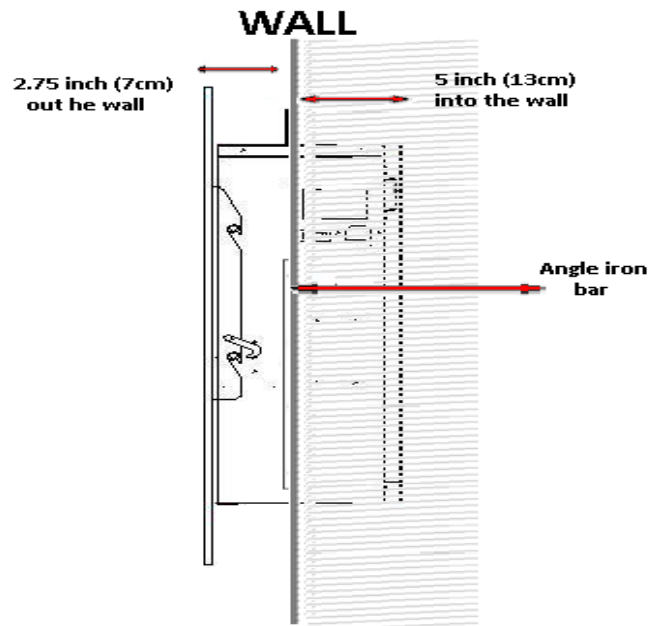


Side View

Wall Installation



Built-in Installation



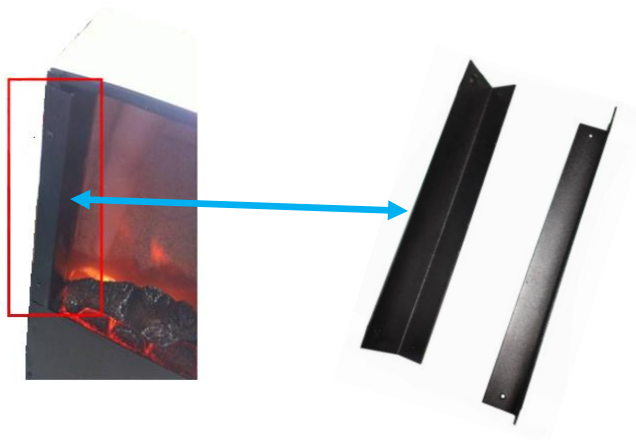
C. Coals and Crystal Installation

Once fireplace is shipped, a standard coal is already attached to the unit.

To change from Coals to Crystal

1. Unplug unit from the wall and ensure controls are switched off.
2. Remove the glass face from the firebox unit and place the glass in a safe location.
3. There is an angle iron bar that is located at both side of the fireplace. Unscrew the angle iron bar before lifting the coal out from the fireplace. See figure 3

Fig. 3



4. Place the crystals by spreading into the glass media tray provided.
5. Once done, re-attach the glass face to the firebox

To change from Crystal to Coal

1. Unplug unit from the wall and ensure controls are switched off.
2. Remove the glass face from the firebox unit and place the glass in a safe location.
3. Remove the crystal out from the fireplace.
4. Place the coal into the glass media tray provided and fix two (2) angle iron bar at both sides of the fireplace.
5. Once done, re-attached the glass face to the firebox.

ELECTRICAL WORKS INSTRUCTIONS

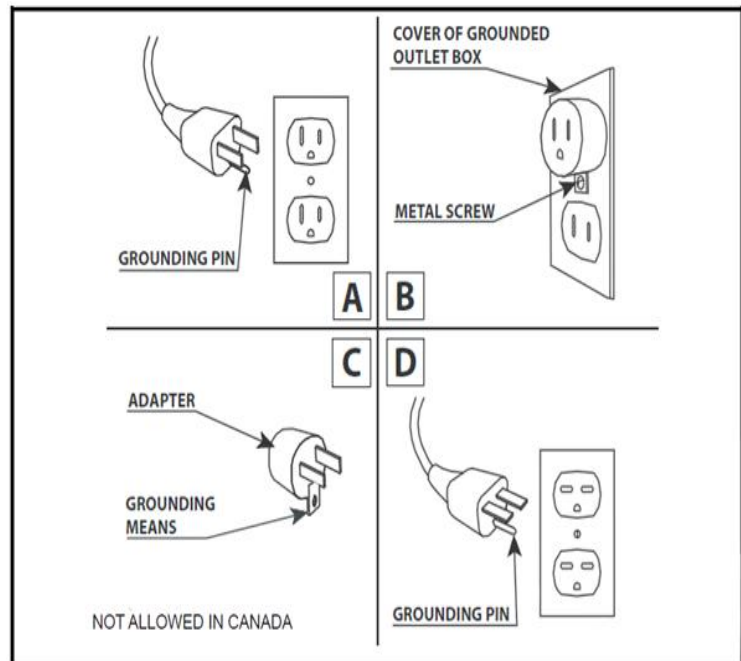
This fireplace must be grounded

1. A standard electrical outlet must be closed to the fireplace. If the electric outlet is required to be concealed, it can be located above or on the right hand side of the fire.
2. **DO NOT INSTALL THE FIREPLACE WHERE THE HEATER IS DIRECTLY ABOVE AN OUTLET.** The heater is located in the center of the fireplace base.
3. If the power supply cable becomes damaged in any manner it **MUST** be replaced.
4. Always ensure that all electrical work complies with the relevant Building Codes. All electrical work should be carried out by a qualified electrician.
5. The fireplace must not be modified in any way or used for purpose other than those recommended by Yosemite Home Decor.
6. Please observe these instructions as failure to do so may result in electric shock or other injury.

GROUNDING INSTRUCTIONS

This fireplace is for use on 120 volts. The cord has a plug as shown in (A) at Figure 7. An adapter as shown in (C) is available for connecting three-blade grounding type plugs to two-slot receptacles. The green grounding lug extending from the adapter must be connected to a permanent ground such as a properly grounded outlet box. The adapter should not be used if a three-slot grounded receptacle is available.

Fig. 7



OPERATING INSTRUCTIONS

This section will explain the function of each convenient control.

A. Operation by Control Panel

The control panel is located on the right hand side of the fireplace. (Figure 8)

- A Main Power Switch
- B On/Off Switch
- C Flame Effect Dimmer Switch
- D Heater Low Heat 675 W
- E Heater Maximum Heat 1350 W

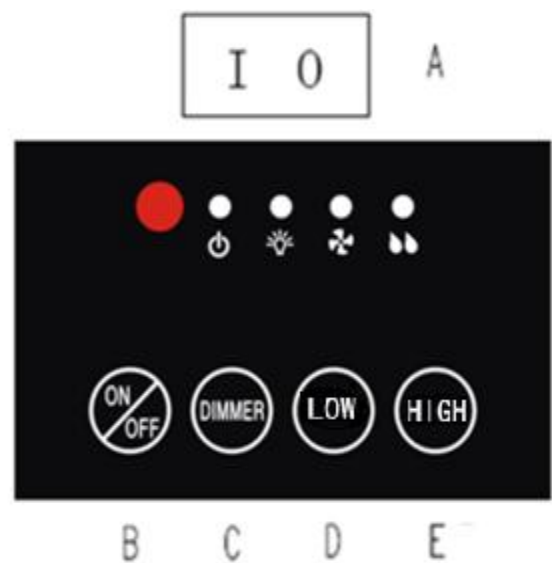


FIG. 8

There are four indicators in the control panel. See Figure 8

- ⏻ this is the power indicator, it lights up when the fireplace insert is working, and turned out when the fireplace is turned off;
- 🔥 indicates the status of the simulated flame and logs.
- 🔥 indicates the heater is working in low-power status;
- 🔥 indicates the heater is working in high-power status.

B. Operation by Remote Control

1. Prior to use, the handheld remote control requires installation of one (1) coin-cell battery.
2. Remove the cover on the rear of the remote control by sliding backwards. Install the batteries as shown and then slide the cover back into original position.
3. To enable the remote control to function the power to the fireplace, it must be switch on.
4. At a distance of 4 to 6 feet (1.5 m to 2 m), point the remote control directly towards the sensor.

A. Infrared Window

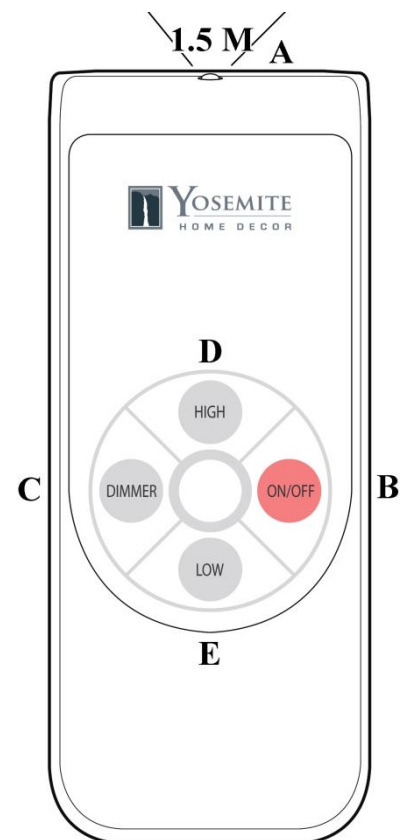
B. On/Off Switch Press on/off switch to turn fire on.

C. Flame Effect Dimmer To operate press once to commence dimming cycle. During the dimming cycle the fire will slowly dim then brighten allowing user to choose suitable level. Press a second time to stop cycle when the desired level is obtained. Failure to press dimmer a second time will result in the fire dimming then brightening cycle repeatedly.

D. Heater Maximum Heat (1350 W) Press this once to switch to high heat. The indicator light will come on as well as the fan. Press again to turn off. (The fan will continue to run for a few moments until sensors indicate cool condition).

E. Heater Low Heat (675W) Press this once to switch to low heat. The indicator light will come on as well as the fan. Press again to turn off. (The fan will continue to run for a few moments until sensors indicate cool condition).

F. Indicator Lamps will verify current activity. If you are unsure if heat is on or off check the lamps on the control panel. If the function is ON in the indicator lamp will light above the function switch.



TROUBLESHOOTING GUIDE

For any questions about the product, installations, returns and/or parts replacement, please call Yosemite customer service at phone # 1-800-305-9872 or fax to 559-276-8738 and/or email us at service@yosemitemhomedecor.com

PROBLEM	POSSIBLE CAUSE	CORRECTIVE ACTION
Fireplace does not turn on	Power cord was not plugged properly.	1. Check that unit is plugged into a standard 120V outlet. 2. Check that Main Power switch is in "ON" position.
Flame images freezes	Spinner motor does not work.	1. Open the access panel and check if the spinner motor is running properly. 2. If problem persists, unplug unit and contact YHD customer service
Flame not bright or not visible	Burned out light bulbs	Replace light bulbs
Log set dim or not glowing	Burned out light bulbs	Replace light bulbs
Heater is not turning ON	Improper operation	1. Refer to instruction manual 2. If problem persists, unplug unit and contact YHD customer service.
Heater emits an odor	Normal operation	This odor is normal condition caused by the initial heating of internal parts and will not occur again.
Heater does not blow warm air	Heater or blower does not work properly.	Try turning On/Off button in the control panel several times to make sure it is at ON position and the indicator light should light up at the same time.
Fireplace makes a grinding/rattling noise	Loose rod	The rod that spins the flame may need to be greased.



WARRANTY

In the unlikely event of a problem occurring due to manufacturing fault within 24 months from the date of purchase of the electric fireplace it will be repaired or replaced free of charge. Repair or replacement is at the option of Yosemite Home Décor.

Defects must be brought to the attention of the Authorized Yosemite Home Décor Dealer from which you purchased your appliance. Evaluation and course of action will be determined by the Authorized Yosemite Home Décor Dealer. Please have proof of purchase, catalogue/model and or serial numbers available when calling. Limited warranty requires a proof of purchase of the product.

What this limited warranty does not cover

This limited warranty does not cover consumable items such as the light bulbs and fuses which have a limited lifespan.

This limited warranty does not apply to products that have been repaired (except by Yosemite Home Décor or its authorized service representatives) or otherwise altered. This warranty does further not apply to defects resulting from misuse, abuse, accident, neglect, incorrect installation, water damage, improper maintenance or handling and operation with an incorrect power source.

www.yosemitedecor.com | 1-800-305-9872 Toll free
4250 West Shaw Avenue Fresno, CA 93722

Free Manuals Download Website

<http://myh66.com>

<http://usermanuals.us>

<http://www.somanuals.com>

<http://www.4manuals.cc>

<http://www.manual-lib.com>

<http://www.404manual.com>

<http://www.luxmanual.com>

<http://aubethermostatmanual.com>

Golf course search by state

<http://golfingnear.com>

Email search by domain

<http://emailbydomain.com>

Auto manuals search

<http://auto.somanuals.com>

TV manuals search

<http://tv.somanuals.com>