

Aspire E1 Series (14" touch)

Quick Guide

Enjoy the benefits of having an Acer ID

With an Acer ID, you can:

- Remotely access your PC from your other devices with our free Acer Remote Files app
- Get the latest offers and product information
- Register your device for warranty service

How to sign up for an Acer ID

1. Ensure you are connected to the Internet.
2. Open Acer Portal from the *Start* screen. The Acer Portal tile has the icon shown to the right.
3. Install any required updates.
4. Sign up for an Acer ID or sign in if you already have an Acer ID.



Register your Acer product

You can register your product from Acer Portal directly by selecting

Also use this Acer ID to register this product.

After we receive your product registration, you will be sent a confirmation email with important data. Keep this email in a safe place.

Manage your registered products

Once you have completed the registration process, you can log onto **account.acer.com** using your Acer ID and password to see and manage all your registered products.

Note: *It may take a few days for your information to be updated to the database.*

Obtaining Acer accessories

We are happy to inform you that Acer's warranty extension program and notebook accessories are available online. Come and visit our online shop and find what you need at **store.acer.com**.

The Acer Store is being progressively rolled out, and may not yet be available in some regions. Please check regularly to see when it will be available in your country.

© 2013. All Rights Reserved.

Aspire E1 Series (14" touch)

Covers: Aspire E1-472PG / E1-472P / E1-470PG / E1-470P / E1-432PG / E1-432P / E1-430PG / E1-430P

This revision: September 2013

Model number: _____

Serial number: _____

Date of purchase: _____

Place of purchase: _____

ENVIRONMENT

Temperature:

- Operating: 5 °C to 35 °C
- Non-operating: -20 °C to 65 °C

Humidity (non-condensing):

- Operating: 20% to 80%
- Non-operating: 20% to 80%

First things first

We would like to thank you for making an Acer notebook your choice for meeting your mobile computing needs.

Your guides

To help you use your Acer notebook, we have designed a set of guides:

First off, the **Setup Guide** helps you get started with setting up your computer.

The **Quick Guide** introduces you to the basic features and functions of your new computer.

For more on how your computer can help you to be more productive, please refer to the **Aspire E1 Series (14" touch) User's Manual**. The **Aspire E1 Series (14" touch) User's Manual** contains useful information applying to your new computer. It covers basic topics such as using the keyboard and audio, etc.

This guide contains detailed information on such subjects as system utilities, data recovery, expansion options and troubleshooting. In addition it contains warranty information and the general regulations and safety notices for your notebook.

The User's Manual can be downloaded from the Acer support website by going to:

<http://go.acer.com/?id=17883>

Software installation

The first time you turn on your computer, it will automatically install software and set up for use. This may take some time, please do not turn off your computer; wait until the installation has finished.

Recovery

You should create recovery backups as soon as you can. The *Acer Recovery Management* program allows you to create recovery backups and then to restore or reinstall applications and drivers provided by Acer.

Having trouble?

Acer provides several options to support your purchase.

Acer support

Make sure you write down your computer serial number, date and place of purchase and model name on the area provided in this guide; save your proof of purchase. Before you call us, please write down any error message that accompanies the

problem, and have the computer in front of you and switched on if possible. Having these items to hand when contacting us will ensure better and quicker service.

Acer website

Remember to visit **www.acer.com** and refer to the support section for up-to-date information, help, drivers and downloads.

Warranty and contact information


You can find information about the warranty for your computer and how to contact technical support in your computer's Warranty.





Your Acer notebook tour

After setting up your computer as illustrated in the Setup Guide, let us show you around your new Acer computer.

Screen view




#	Icon	Item	Description
1		Webcam	Web camera for video communication. <i>A light next to the webcam indicates that the webcam is active.</i>
2		Touchscreen	Displays computer output, supports multi-touch input.
3		SD card reader	Accepts one Secure Digital card (SD or SDHC). <i>Push to remove/install the card.</i> <i>Only one card can operate at any given time.</i>

#	Icon	Item	Description
		Power indicator	Indicates the computer's power status.
4		Battery indicator	Indicates battery status. Charging: The light is amber when the battery is charging. Fully charged: The light is blue.
		HDD indicator	Indicates when the hard disk drive is active.
		Communication indicator	Indicates the computer's wireless connectivity device status.
5		Microphones	Internal stereo microphones for sound recording.


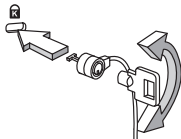





Keyboard view



#	Icon	Item	Description
1		Power button	Turns the computer on and off.
2		Keyboard	For entering data into your computer. See "Using the keyboard" on page 9.
3		Touchpad	Touch-sensitive pointing device.
4		Click buttons (left and right)	The left and right side of the button function as left and right selection buttons.

Left view

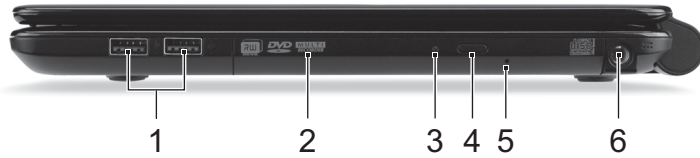




#	Icon	Item	Description
1		Kensington lock slot 	Connects to a Kensington-compatible computer security lock. <i>Wrap the computer security lock cable around an immovable object such as a table or handle of a locked drawer. Insert the lock into the notch and turn the key to secure the lock. Keyless models are also available.</i>
2		Ethernet (RJ-45) port	Connects to an Ethernet 10/100/1000-based network.
3		External display (VGA) port	Connects to a display device (e.g., external monitor, LCD projector).
4		HDMI port	Supports high-definition digital video connections.
5		USB port	Connect to USB devices.
6		Headset/speaker jack	Connects to audio devices (e.g., speakers, headphones) or a headset with microphone.

Information on USB 3.0

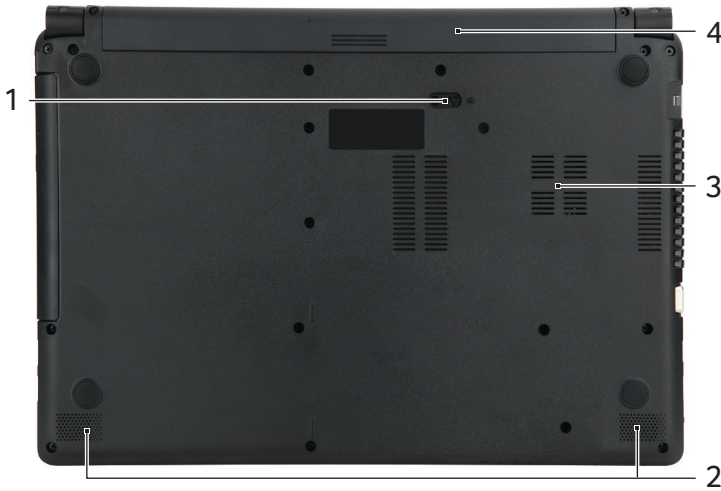
- USB 3.0 compatible ports are blue.
- Compatible with USB 3.0 and earlier devices.
- For optimal performance, use USB 3.0-certified devices.
- Defined by the USB 3.0 specification (SuperSpeed USB).


Right view



#	Icon	Item	Description
1		USB ports	Connect to USB devices.
2		Optical drive	Internal optical drive; accepts CDs or DVDs.
3		Optical disk access indicator	Lights up when the optical drive is active.
4		Optical drive eject button	Ejects the optical disk from the drive.
5		Emergency eject hole	Ejects the optical drive tray when the computer is turned off. <i>Carefully insert a straightened paper clip to eject the optical drive tray.</i>
6		DC-in jack	Connects to an AC adapter.

Base view



#	Icon	Item	Description
1		Battery release latch	Releases the battery for removal. Insert a suitable tool and slide to release.
2		Speakers	Deliver stereo audio output.
3		Ventilation and cooling fan	Allows the computer to stay cool. <i>Do not cover or obstruct the openings.</i>
4		Battery bay	Houses the computer's battery pack.















Using the keyboard

The keyboard has full-sized keys and an embedded numeric keypad, separate cursor, lock, Windows, function and special keys.

Hotkeys

The computer employs hotkeys or key combinations to access most of the computer's controls like screen brightness and volume output.

To activate hotkeys, press and hold the <Fn> key before pressing the other key in the hotkey combination.

Hotkey	Icon	Function	Description
<Fn> + <F3>		Airplane mode	Turns on / off the computer's network devices. (<i>Network devices vary by configuration.</i>)
<Fn> + <F4>		Sleep	Puts the computer in Sleep mode.
<Fn> + <F5>		Display toggle	Switches display output between the display screen, external monitor (if connected) and both.
<Fn> + <F6>		Display off	Turns the display screen backlight off to save power. Press any key to return.
<Fn> + <F7>		Touchpad toggle	Turns the built-in touchpad on and off.
<Fn> + <F8>		Speaker toggle	Turns the speakers on and off.
<Fn> + <F11>	NumLk	Number Lock	Turns the embedded numeric keypad on or off.
<Fn> + <F12>	Scr Lk	Scroll Lock	Turns Scroll Lock on or off.
<Fn> + <▷>		Brightness up	Increases the screen brightness.
<Fn> + <◁>		Brightness down	Decreases the screen brightness.
<Fn> + <△>		Volume up	Increases the sound volume.
<Fn> + <▽>		Volume down	Decreases the sound volume.
<Fn> + <Home>		Play/Pause	Play or pause a selected media file.
<Fn> + <Pg Up>		Stop	Stop playing the selected media file.
<Fn> + <Pg Dn>		Previous	Return to the previous media file.
<Fn> + <End>		Next	Jump to the next media file.

Free Manuals Download Website

<http://myh66.com>

<http://usermanuals.us>

<http://www.somanuals.com>

<http://www.4manuals.cc>

<http://www.manual-lib.com>

<http://www.404manual.com>

<http://www.luxmanual.com>

<http://aubethermostatmanual.com>

Golf course search by state

<http://golfingnear.com>

Email search by domain

<http://emailbydomain.com>

Auto manuals search

<http://auto.somanuals.com>

TV manuals search

<http://tv.somanuals.com>