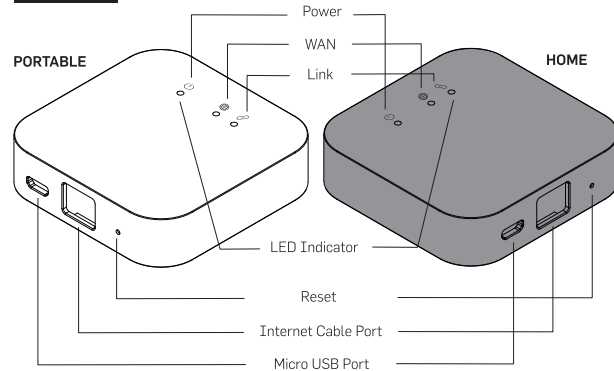


Adonit CyberCube User Manual

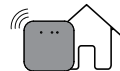
OVERVIEW



PACKAGING LIST

HOME - Black x 1 PORTABLE - White x 1 Micro USB cable x 2 User manual x 1

QUICK GUIDE



HOME (Black)
place it indoors



PORTABLE (White)
take it with you on-the-go

1. Plug the internet line and power cord into the cubes.
2. Wait 1-3 mins when Link light continuously shines. Now you are connected.
3. Open the Wifi feature and search for the network "CyberCube".
The associated password is "acc%ACC!".

The Black CyberCube can be left indoors. Plug in the internet line and power cord into the cube.

The White CyberCube is portable. Plug in the internet cable and power cord before use and the it will automatically connect to Wifi.

- * Remember to take the internet line and power cord with you on-the-go.
- * When the WAN light flashes, the data is being transmitted.
- * If you are unable to connect to the network, the Link light flashes slowly, or it doesn't light up, please view the Adonit CyberCube FAQ.
- * If you have any questions, please see the FAQ

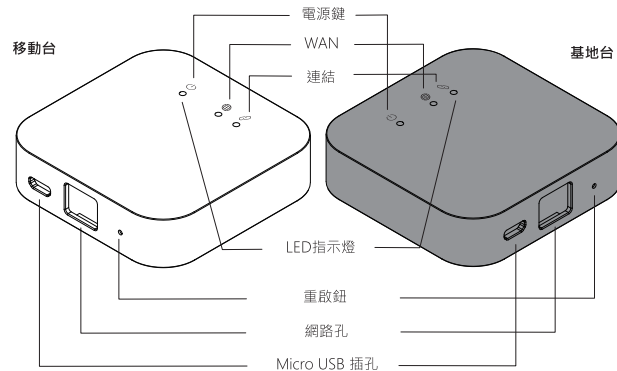
Wifi Network: Cybercube Password: acc%ACC!

COMPATIBILITY

Works with devices that support WPA2

Adonit CyberCube 用戶指南

總覽



包裝清單

基地台 x 1 移動台 x 1 Micro USB線 x 2 使用手冊 x 1

快速指南



HOME (黑色)
放至於公司或家中



PORTABLE (白色)
隨身攜帶

1. 點擊一次藍牙快門後，LED 綠燈亮一秒後開始閃爍。
2. 等1-3分鐘，Link燈恆量後表示連線成功
3. 開啟Wifi，連接網路：CyberCube 輸入密碼：acc%ACC!

HOME端不需移動，放置於室內，裝置後方插上網路線與電源線。

PORTABLE端可帶出門，在使用前請先插上網路線與電源線，PORTABLE端即會自動連上Wifi。

- *請帶上電源線及網路線
- *WAN網路燈如有資料傳輸中會閃爍
- *無法連上線或Link燈慢速閃爍或未亮 請上FAQ查詢
- *如果有任何問題請看FAQ

Wifi Network: Cybercube Password: acc%ACC!

相容性

可以支援WPA2的設備都可使用



Adonit CyberCube M/N: 153

This equipment has been tested and found to comply with the limits for a Class B digital device, pursuant to part 15 of the FCC Rules. These limits are designed to provide reasonable protection against harmful interference in a residential installation. This equipment generates, uses and can radiate radio frequency energy and, if not installed and used in accordance with the instructions, may cause harmful interference to radio communications. However, there is no guarantee that interference will not occur in a particular installation. If this equipment does cause harmful interference to radio or television reception, which can be determined by turning the equipment off and on, the user is encouraged to try to correct the interference by one or more of the following measures:

- Reorient or relocate the receiving antenna.
- Increase the separation between the equipment and receiver.
- Connect the equipment into an outlet on a circuit different from that to which the receiver is connected.
- Consult the dealer or an experienced radio/TV technician for help.

This device complies with Part 15 of the FCC Rules and RSS-Gen of IC Rules.

Operation is subject to the following two conditions:

(1) This device may not cause harmful interference, and (2) this device must accept any interference received, including interference that may cause undesired operation.

Changes or modifications not expressly approved by the party responsible for compliance could void the user's authority to operate the equipment

This device complies with Industry Canada license-exempt RSS standard(s). Operation is subject to the following two conditions:

(1) this device may not cause interference, and (2) this device must accept any interference, including interference that may cause undesired operation of the device.

Le présent appareil est conforme aux CNR d'Industrie Canada applicables aux appareils radio exempts de licence. L'exploitation est autorisée aux deux conditions suivantes :

(1) l'appareil ne doit pas produire de brouillage, et (2) l'utilisateur de l'appareil doit accepter tout brouillage radioélectrique subi, même si le brouillage est susceptible d'en compromettre le fonctionnement.

Taiwan Regulatory Information (NCC)

聲明文

第十二條 經型式認證合格之低功率射頻電機，非經許可，公司、商號或使用者均不得擅自變更頻率、加大功率或變更原設計之特性及功能。

第十四條 低功率射頻電機之使用不得影響飛航安全及干擾合法通信；經發現有干擾現象時，應立即停用，並改善至無干擾時方得繼續使用。前項合法通信，指依電信法規定作業之無線電通信。低功率射頻電機須忍受合法通信或工業、科學及醫療用電波輻射性電機設備之干擾。

Adonit CyberCube Adonit Co.,Ltd.

M/N: 153 CCA118LP2240T1

Adonit Co., Ltd., declares that Adonit CyberCube is in compliance with Directive 2014/53/EU. The full text can be seen: adonit.net/certificates

For FAQs and more information,
please visit:



adonit.net/support



@adonitusa
@adonitindonesia
@adonittaiwan



@AdonitNews



@AdonitInc
@Adonitindonesia
@AdonitTaiwan



help@adonit.net



Free Manuals Download Website

<http://myh66.com>

<http://usermanuals.us>

<http://www.somanuals.com>

<http://www.4manuals.cc>

<http://www.manual-lib.com>

<http://www.404manual.com>

<http://www.luxmanual.com>

<http://aubethermostatmanual.com>

Golf course search by state

<http://golfingnear.com>

Email search by domain

<http://emailbydomain.com>

Auto manuals search

<http://auto.somanuals.com>

TV manuals search

<http://tv.somanuals.com>