

OPERATING INSTRUCTIONS & PARTS MANUAL

Air King
Ventilation Products®

18" PEDESTAL FAN
18" (45,7 cm) MODEL 9418

READ AND SAVE THESE INSTRUCTIONS

READ CAREFULLY BEFORE ATTEMPTING TO ASSEMBLE, INSTALL, OPERATE OR MAINTAIN THE PRODUCT DESCRIBED. PROTECT YOURSELF AND OTHERS BY OBSERVING ALL SAFETY INFORMATION. FAILURE TO COMPLY WITH INSTRUCTIONS COULD RESULT IN PERSONAL INJURY AND/OR PROPERTY DAMAGE!

RETAIN INSTRUCTIONS FOR FUTURE REFERENCE.

DESCRIPTION

The Air King® 18" (45,7 cm) pedestal fan features 3-speed rotary knob operation with a 3-paddle fan blade and variable height adjustments. This fan has a permanently lubricated motor with a 9 ft. (2,74 m) 18/3 cord set and is constructed of sturdy, powder coated steel.

SPECIFICATIONS

Motor 120 V, 60 Hz
Blade diameter 18" (45,7 cm)
Speeds 3
Control Rotary Switch
Air flow distribution 360°
Approvals..... ETL Listed. Close mesh fan guard
meets OSHA requirements.

GENERAL SAFETY INFORMATION

When using electrical appliances, basic precautions should always be followed to reduce the risk of fire, electric shock and injury to person, including the following:

1. Read all instructions before using Fan.
2. Make certain that the power source conforms to the electrical requirements of the Fan.
3. Use this Fan only as described in this manual. Any other use not recommended by the manufacturer may cause fire, electrical shock, or injury to persons.
4. Unplug power cord before installing, servicing, or moving the Fan.

WARNING: DO NOT DEPEND UPON THE ON-OFF SWITCH AS THE SOLE MEANS OF DISCONNECTING POWER WHEN INSTALLING OR SERVICING THE FAN. ALWAYS UNPLUG THE POWER CORD.

5. This Fan must NOT be used in potentially dangerous locations such as flammable, explosive, chemical-laden or wet atmospheres.
6. The power cord is equipped with a three-prong grounded plug that must be inserted into a matching receptacle. Under no circumstances should the grounding prong be cut off the plug. Where a two-prong wall receptacle is encountered, it must be replaced with a properly grounded three-prong receptacle installed in accordance with the National Electrical Code (NEC) and all applicable local codes and ordinances. This work must be done only by a qualified electrician, using copper wire only.

WARNING: DO NOT USE A THREE-PRONG ADAPTER. IMPROPER CONNECTION MAY CREATE THE RISK OF ELECTRIC SHOCK. USE OF SUCH ADAPTERS IS NOT PERMITTED IN CANADA.

WARNING: THIS PLUG IS A SAFETY FEATURE. TO REDUCE THE RISK OF FIRE, ELECTRIC SHOCK AND PERSONAL INJURY, DO NOT REMOVE, REPLACE, REPAIR OR TAMPER WITH THE ORIGINALLY SUPPLIED PLUG. IF THE FAN DOES NOT FUNCTION PROPERLY, IT

MAY BE DUE TO THE SAFETY DEVICE INCORPORATED IN THIS PLUG.

7. Where possible, avoid the use of extension cords. If they must be used, minimize the risk of overheating by ensuring that they are UL listed. Never use a single extension cord to operate more than one Fan.
8. Do not operate any Fan with a damaged cord or plug after the Fan malfunctions, has been dropped or damaged in any manner. Return Fan to authorized service facility for examination, electrical or mechanical adjustment or repair.
9. Do not insert or allow fingers or foreign objects to enter any ventilation or exhaust opening as it may cause an electric shock, fire, or damage the Fan. Do not block or tamper with the Fan in any manner while it is in operation.
10. Always place the Fan on a stable, flat, level surface when operating, to avoid the chance of the Fan overturning. Locate the Power Cord so the Fan or other objects are not resting on it. Do not run Power Cord under carpeting. Do not cover Power Cord with throw rugs, runners, or the like. Arrange Power Cord away from room traffic and where it will not be tripped over.
11. This Fan is not intended for use in wet or damp locations. Never locate a Fan where it may fall into a bathtub or other water container.
12. Do not use Fan outdoors.
13. This Fan is not suitable for use in hazardous locations. Please refer to National Electric Code (NEC) Article 500 or applicable state or local codes or standards relating to electrical requirements for Hazardous locations. **THIS FAN DOES NOT MEET THE REQUIREMENTS OF NEC ARTICLE 500 (2008).**

WARNING: REDUCE THE RISK OF FIRE OR ELECTRIC SHOCK – DO NOT USE THIS FAN WITH ANY SOLID STATE SPEED CONTROL DEVICES.

SAVE THESE INSTRUCTIONS

ASSEMBLY

TOOLS REQUIRED FOR ASSEMBLY

- Hex Wrench (Supplied in Parts Bag)

NOTE: ALL HARDWARE REFERRED TO IN THE INSTRUCTIONS MAY BE FOUND IN THE SUPPLIED PARTS BAG.

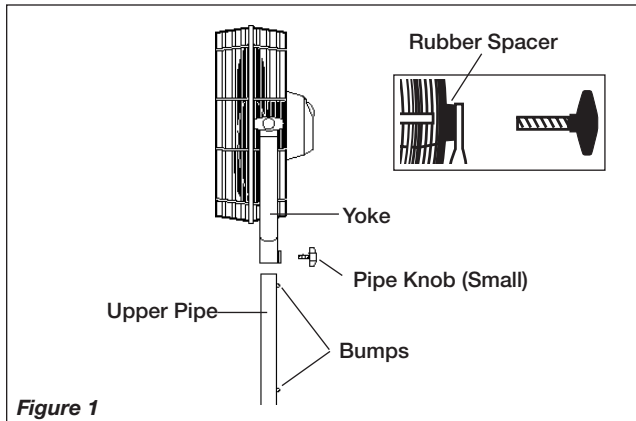
1. Lay Fan Head on flat surface, so the front side is facing down. Hold Yoke so the side with the nut is facing up. Loosely attach one Grill Knob and one Rubber Spacer to the Head Assembly. Attach the other Grill Knob and Rubber Spacer to the Head Assembly and FIRMLY tighten. Return to the first Grill Knob and FIRMLY tighten. (Figure 1)

NOTE: THE UPPER PIPE HAS 2 BUMPS, ONE AT EACH END. THE BUMP CLOSER TO THE END OF THE PIPE INDICATES THE TOP. THIS END FITS INTO THE YOKE.

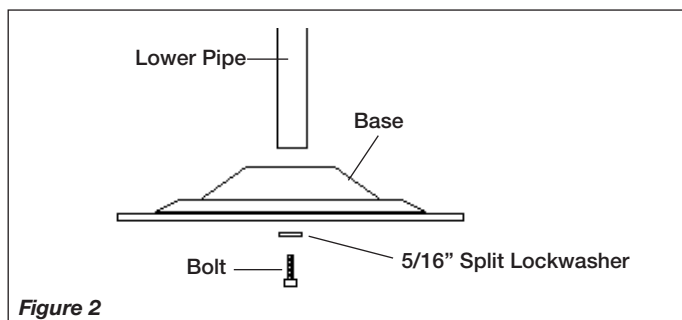
2. Make sure Bump on Upper Pipe is aligned with formed section of Yoke. Insert Upper Pipe into Yoke. To ensure fit is tight, twist Upper Pipe until it is tight inside of Yoke. (Figure 1)

NOTE: THE UPPER PIPE SHOULD FIT COMPLETELY INSIDE OF THE YOKE.

MODEL 9418



3. Attach Lower Pipe to Base using Bolt and Split Lockwasher. (Figure 2) FIRMLY tighten with supplied Hex Wrench.



CAUTION: TO AVOID INJURY, MAKE SURE UPPER PIPE/FAN HEAD IS SUPPORTED WHEN INSERTING INTO BOTTOM PIPE OR ADJUSTING HEIGHT.

4. Make sure Bump on Upper Pipe is aligned with formed section of Lower Pipe. Insert Upper Pipe/Fan Assembly into Lower Pipe and allow it to slide to the bottom of the Lower Pipe. Screw a Pipe Knob into Lower Pipe until it loosely touches the Upper

Pipe. Raise Upper Pipe/Fan Assembly to desired height and FIRMLY tighten Pipe Knob.

OPERATION

1. To Adjust Height: While holding Top Pipe and Fan Head firmly, loosen Lower Pipe Knob. Adjust Fan up or down to desired height and FIRMLY retighten Pipe Knob.

CAUTION: LAY FAN ON ITS SIDE OR HOLD TOP OF FAN FIRMLY WHEN ADJUSTING HEIGHT. INJURY MAY OCCUR IF FAN IS NOT SUPPORTED.

2. To Adjust Head Angle: While holding Head firmly, loosen Grill Knobs on each side of the Yoke (turn counterclockwise). Tilt Head to desired position and FIRMLY retighten Grill Knobs.
3. To Operate: Plug cord into a grounded 120 V, 60 Hz outlet. Select desired operating speed with Selector on back of Fan.

4. **WARNING:** This fan should be used only in a clean, dry environment. Mounting of this product in any way other than specified in the instruction sheet will null and void the manufacturers warranty.

MAINTENANCE

WARNING: ALWAYS UNPLUG THE CORD BEFORE SERVICING.

CLEANING: Use a soft cloth and a mild soap solution such as liquid dish washing detergent.

CAUTION: Do not use gasoline, benzine, thinner, harsh cleaners, etc. which will damage the fan.

Dry all parts with a soft cloth completely before reconnecting to power supply.

STORAGE: When not in use, keep unit in a clean dry place.

MOTOR IS PERMANENTLY LUBRICATED.

LIMITED WARRANTY

WHAT THIS WARRANTY COVERS: This product is warranted against defects in workmanship and/or materials.

HOW LONG THIS WARRANTY LASTS: This warranty extends only to the original purchaser of the product and lasts for one (1) year from the date of original purchase or until the original purchaser of the product sells or transfers the product, whichever first occurs.

WHAT AIR KING WILL DO: During the warranty period, Air King will, at its sole option, repair or replace any part or parts that prove to be defective or replace the whole product with the same or comparable model.

WHAT THIS WARRANTY DOES NOT COVER: This warranty does not apply if the product was damaged or failed because of accident, improper handling or operation, shipping damage, abuse, misuse or unauthorized repairs made or attempted. This warranty does not cover shipping costs for the return of products to Air King for repair or replacement. Air King will pay return shipping charges from Air King following warranty repairs or replacement

ANY AND ALL WARRANTIES, EXPRESSED OR IMPLIED (INCLUDING, WITHOUT LIMITATION, ANY IMPLIED WARRANTY OF MERCHANTABILITY), LAST ONE YEAR FROM THE DATE OF ORIGINAL PURCHASE OR UNTIL THE ORIGINAL PURCHASER OF THE PRODUCT SELLS OR TRANSFERS THE PRODUCT, WHICHEVER FIRST OCCURS AND IN NO EVENT SHALL AIR KING'S LIABILITY UNDER ANY EXPRESS OR IMPLIED WARRANTY INCLUDE (I) INCIDENTAL OR CONSEQUENTIAL DAMAGES FROM ANY CAUSE WHATSOEVER, OR (II) REPLACEMENT OR REPAIR OF ANY HOUSE FUSES, CIRCUIT BREAKERS OR RECEPTACLES. NOTWITHSTANDING ANYTHING TO THE CONTRARY, IN NO EVENT SHALL AIR KING'S LIABILITY UNDER ANY EXPRESS OR IMPLIED WARRANTY EXCEED THE PURCHASE PRICE OF THE PRODUCT AND ANY SUCH LIABILITY SHALL TERMINATE UPON THE EXPIRATION OF THE WARRANTY PERIOD.

Some states and provinces do not allow limitations on how long an implied warranty lasts, or the exclusion or limitation of incidental or consequential damages, so these exclusions or limitations may not apply to you. This warranty gives you specific legal rights. You may also have other rights which vary from state to state and province to province. Proof of purchase is required before a warranty claim will be accepted.

Free Manuals Download Website

<http://myh66.com>

<http://usermanuals.us>

<http://www.somanuals.com>

<http://www.4manuals.cc>

<http://www.manual-lib.com>

<http://www.404manual.com>

<http://www.luxmanual.com>

<http://aubethermostatmanual.com>

Golf course search by state

<http://golfingnear.com>

Email search by domain

<http://emailbydomain.com>

Auto manuals search

<http://auto.somanuals.com>

TV manuals search

<http://tv.somanuals.com>