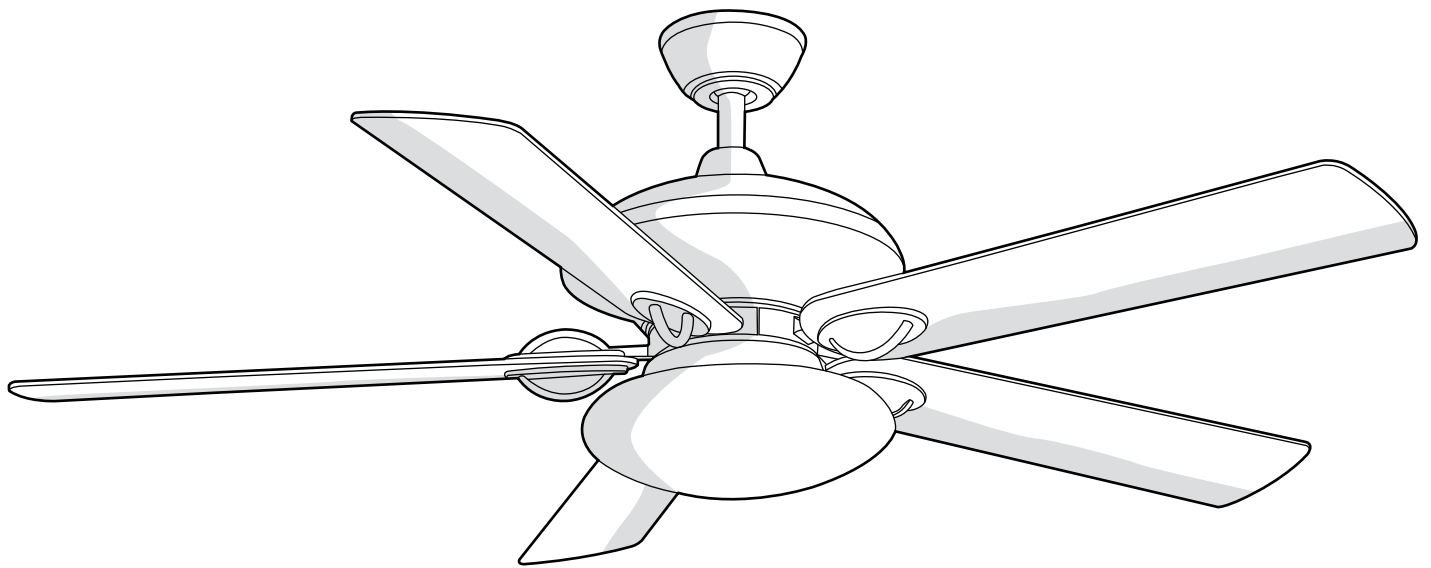




Item #593-552
Model #AL975-BN

USE AND CARE GUIDE

SAUTERNE II 52 INCH CEILING FAN



Questions, problems, missing parts? Before returning to the store,
call Hampton Bay Customer Service
8 a.m. - 6 p.m., EST, Monday-Friday

1-877-527-0313

HAMPTONBAY.COM

THANK YOU

We appreciate the trust and confidence you have placed in Hampton Bay through the purchase of this ceiling fan. We strive to continually create quality products designed to enhance your home. Visit us online to see our full line of products available for your home improvement needs. Thank you for choosing Hampton Bay!

Table of Contents

Table of Contents	2	Operation	16
Safety Information	3	Remote Control Operating Instructions	16
Warranty	4	Installing the Remote Control Holder	16
Pre-installation	4	Reverse Switch Operating Instructions	17
Specifications	4	Care and Cleaning	17
Tools Required	4	Troubleshooting	18
Hardware Included	5	Service Parts	19
Package Contents	6		
Installation	7		
Assembly	8		
Assembling the Fan Body.....	8		
Hanging the Fan	9		
Preparing the Remote Control	10		
Making Electrical Connections	11		
Completing the Fan Body	12		
Attaching the Fan Blades	13		
Installing the Light Kit	14		

Safety Information

1. To reduce the risk of electric shock, ensure electricity has been turned off at the circuit breaker or fuse box before beginning.
2. All wiring must be in accordance with the National Electrical Code “ANSI/NFPA 70-1999” and local electrical codes. Electrical installation should be performed by a qualified licensed electrician.
3. The outlet box and support structure must be securely mounted and capable of reliably supporting a minimum of 35 lbs. Use only UL-listed outlet boxes marked “FOR FAN SUPPORT.”
4. The fan must be mounted with a minimum of 7 ft. clearance from the trailing edge of the blades to the floor.
5. Avoid placing objects in the path of the blades.
6. To avoid personal injury or damage to the fan and other items, be cautious when working around or cleaning the fan.
7. Do not use water or detergents when cleaning the fan or fan blades. A dry dust cloth or lightly dampened cloth will be suitable for most cleaning.
8. After making electrical connections, spliced conductors should be turned upward and pushed carefully up into the outlet box. The wires should be spread apart with the grounded conductor and the equipment-grounding conductor on one side of the outlet box and ungrounded conductor on the other side of the outlet box.
9. All setscrews must be checked and retightened where necessary before installation.



WARNING: To reduce the risk of electrical shock or fire, do not use this fan with any solid-state fan speed control device. It will permanently damage the electronic circuitry.



WARNING: To reduce the risk of personal injury, do not bend the blade arms (also referred to as flanges), when installing the brackets, balancing the blades, or cleaning the fan.



WARNING: Do not insert foreign objects between rotating fan blades.



WARNING: To reduce the risk of fire, electric shock, or personal injury, mount the fan to the outlet box marked acceptable for fan support with the screws provided with the outlet box.



CAUTION: To reduce the risk of personal injury, use only the screws provided with the outlet box.

NOTICE: This fan includes a 190W limiter to comply with the department of energy 2009 regulation. Lamping this product over 190W will cause this fan to not light. Please use bulbs with a total wattage under the 190W regulation.

Warranty

We warrant the fan motor to be free from defects in workmanship and material present at time of shipment from the factory for a period of lifetime after the date of purchase by the original purchaser. We also warrant that all other fan parts, excluding any glass or acrylic blades, to be free from defects in workmanship and material at the time of shipment from the factory for a period of one year after the date of purchase by the original purchaser. We agree to correct such defects without charge or at our option replace with a comparable or superior model if the product is returned. To obtain warranty service, you must present a copy of the receipt as proof of purchase. All costs of removing and reinstalling the product are your responsibility. Damage to any part such as by accident, misuse, improper installation or by affixing any accessories, is not covered by this warranty. Because of varying climatic conditions this warranty does not cover any changes in brass finish, including rusting, pitting, corroding, tarnishing or peeling. Brass finishes of this type give their longest useful life when protected from varying weather conditions. A certain amount of "wobble" is normal and should not be considered a defect. Servicing performed by unauthorized persons shall render the warranty invalid. There is no other express warranty. We hereby disclaim any and all warranties, including but not limited to those of merchantability and fitness for a particular purpose to the extent permitted by law. The duration of any implied warranty which cannot be disclaimed is limited to the time period as specified in the express warranty. Some states do not allow limitation on how long an implied warranty lasts, so the above limitation may not apply to you. The retailer shall not be liable for incidental, consequential, or special damages arising out of or in connection with product use or performance except as may otherwise be accorded by law. Some states do not allow the exclusion of incidental or consequential damages, so the above exclusion or limitation may not apply to you. This warranty gives specific legal rights, and you may also have other rights which vary from state to state. This warranty supersedes all prior warranties. Shipping costs for any return of product as part of a claim on the warranty must be paid by the customer.

Contact the Customer Service Team at 1-877-527-0313 or visit www.hamptonbay.com.

Pre-Installation

SPECIFICATIONS

Fan size	Speed	Volts	Amps	Watts	RPM	CFM	N.W.	G.W.	C.F.
52 in.	Low	120	0.36	12.27	62	1794.26	10.97 kg (24.13 lb)	12.32 kg (27.10 lb)	2.49 ft.
	Medium		0.50	30.19	109	3255.24			
	High		0.58	70.09	174	5576.44			



NOTE: These are approximate measures. They do not include amps and wattage used by the light kit.



TOOLS REQUIRED

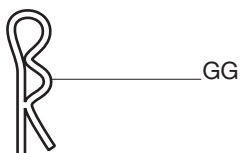
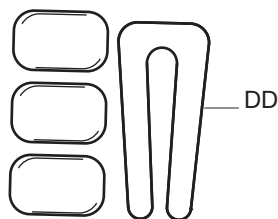
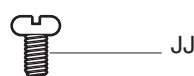
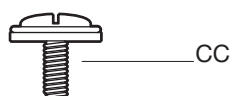
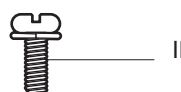
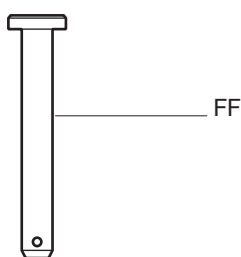


Pre-Installation (continued)

HARDWARE INCLUDED



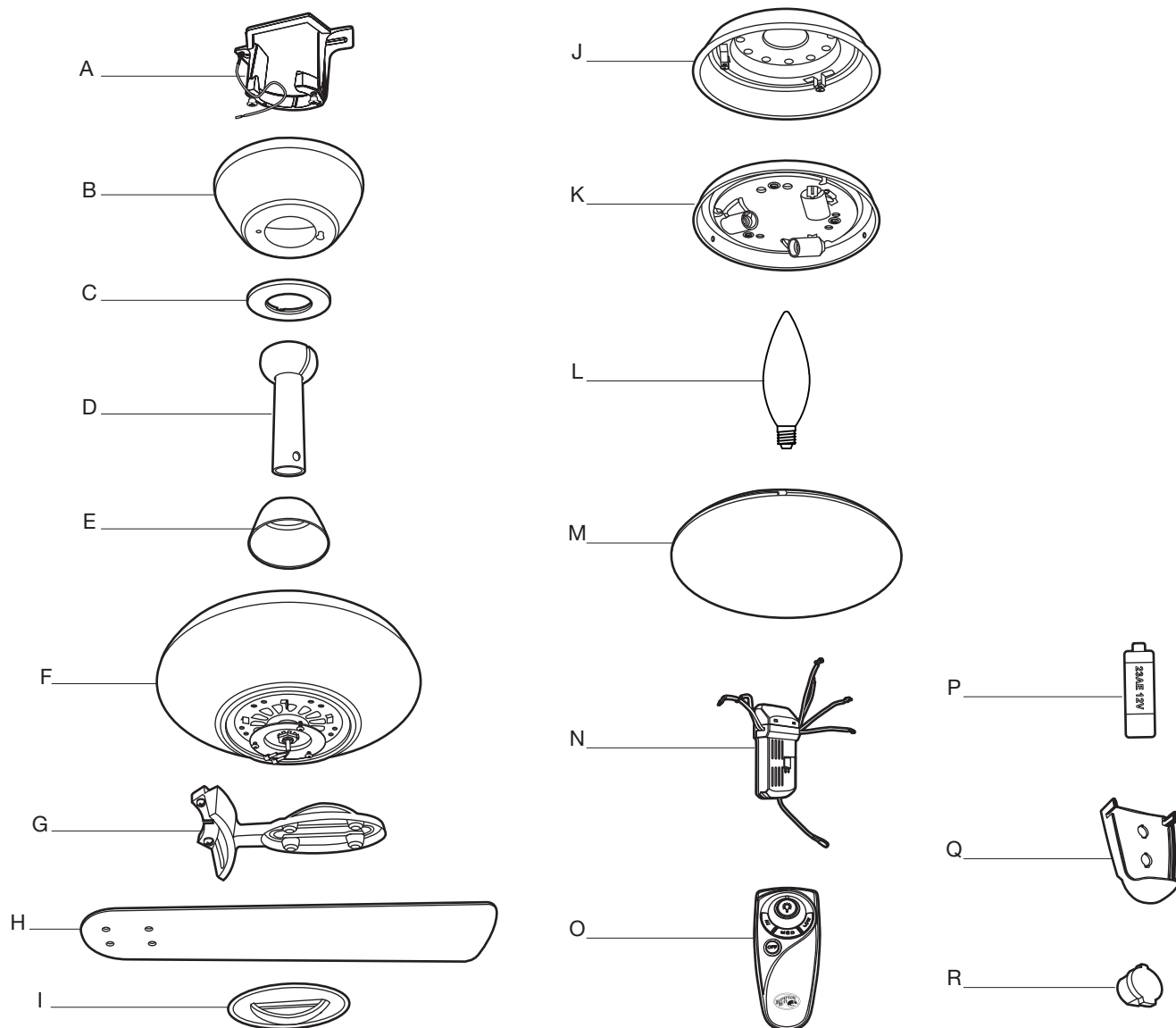
NOTE: Hardware shown to actual size unless noted otherwise in the table below.



Part	Description	Quantity
AA	Plastic wire nut	9
BB	Mounting bracket screw (preassembled)	2
CC	Blade attachment screw and fiber washer	21
DD	Balance kit (not to scale)	1
EE	Remote control holder mounting screw	2
FF	Clevis pin (preassembled)	1
GG	Cotter pin (preassembled)	1
HH	Collar setscrew (preassembled)	2
II	Blade arm screw (preassembled)	10
JJ	Light kit mounting plate screw (preassembled)	3
KK	Light kit mounting screw (preassembled)	3

Pre-Installation (continued)

PACKAGE CONTENTS



Part	Description	Quantity
A	Mounting bracket (preassembled)	1
B	Canopy	1
C	Canopy bottom cover	1
D	Hanger ball/downrod assembly	1
E	Coupling cover	1
F	Fan motor assembly	1
G	Blade arm	5
H	Blade	5
I	Blade medallion	5

Part	Description	Quantity
J	Light kit mounting plate	1
K	Light kit	1
L	40 Watt candelabra bulb	3
M	Glass shade	1
N	Receiver	1
O	Remote control	1
P	12V MN21/A23 battery	1
Q	Remote control holder	1
R	Remote control holder plug	2

Installation

MOUNTING OPTIONS

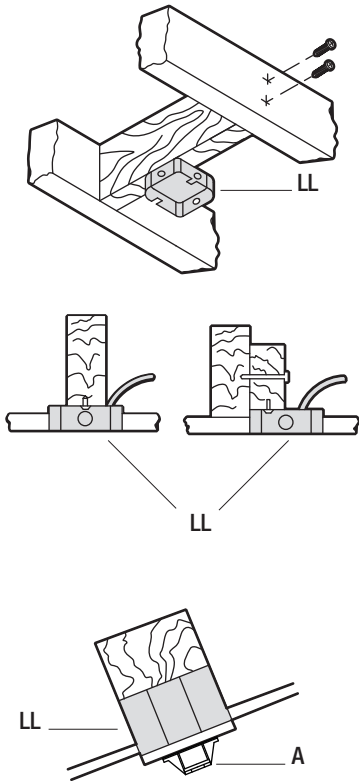


WARNING: To reduce the risk of fire, electric shock, or personal injury, mount the fan to an outlet box marked acceptable for fan support using the screws provided with the outlet box. An outlet box commonly used for the support of lighting fixtures may not be acceptable for fan support and may need to be replaced. If in doubt, consult a qualified electrician.

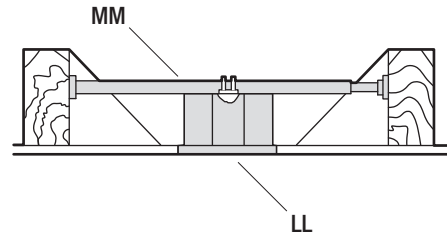
If your ceiling fan does not have an existing UL-listed mounting box, then install one using the following instructions:

- Disconnect the power by removing the fuses or turning off the circuit breakers.
- Secure the outlet box (LL) (not included) directly to the building structure. Use appropriate fasteners and materials (not included). The outlet box and its bracing must be able to fully support the weight of the moving fan (at least 35 lbs.). Do not use a plastic outlet box.

The illustrations below show three different ways to mount the outlet box (LL) (not included).



NOTE: You may need a longer downrod to maintain proper blade clearance when installing on a steep, sloped ceiling. The maximum angle allowable is 18° away from horizontal. If the canopy touches the downrod, then remove the decorative canopy bottom cover (C) and turn the canopy (B) 180° before attaching the canopy (B) to the mounting bracket (A).

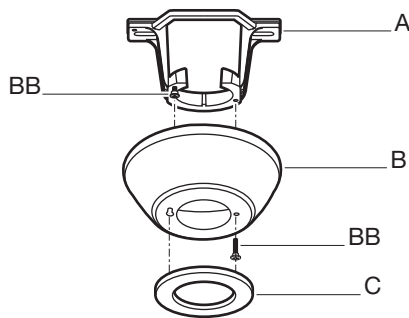


To hang your fan where there is an existing fixture but no ceiling joist, you may need an installation hanger bar (MM) (not included) as shown above.

Assembly - Assembling the Fan Body

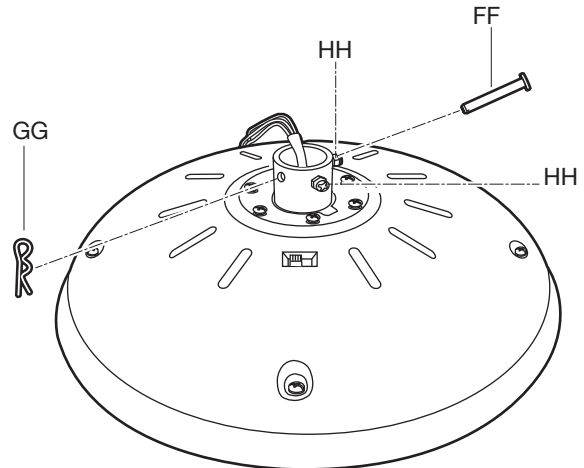
1 Preparing the canopy

- Remove the canopy bottom cover (C) from the canopy (B) by turning the canopy bottom cover (C) counter-clockwise.
- Remove the mounting bracket (A) from the canopy (B) by removing the non-slotted mounting bracket screw (BB) from the bottom of the canopy (B) and loosening the slotted mounting bracket screw (BB) a half turn from the screw head. Next, turn the canopy (B) counterclockwise to remove the mounting bracket (A) from the canopy (B).



2 Preparing the motor

- Remove the clevis pin (FF) and cotter pin (GG), and loosen the two collar setscrews (HH) from the motor collar.



3 Assembling the fan



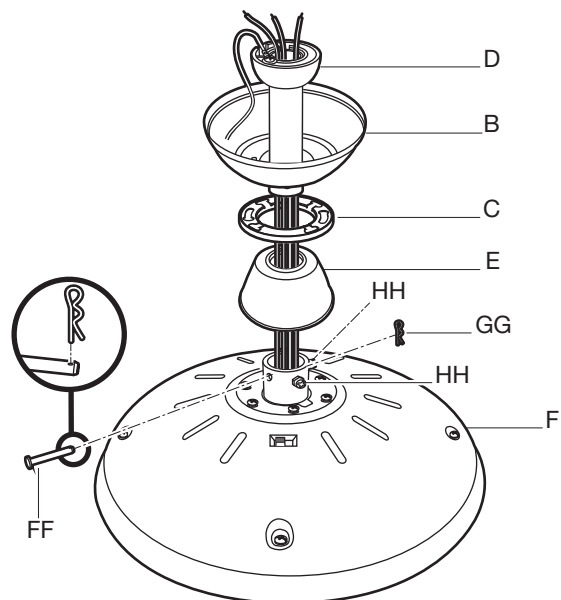
WARNING: Failure to properly install the cotter pin (GG) could result in the fan loosening and possibly falling.



NOTE: If a longer downrod (not included) is needed, take out the screw located in the hanger ball, lower the hanger ball and remove the pin. Remove all three pieces from the downrod and assemble them onto the new longer downrod before proceeding to the downrod installation.

- Route the wires exiting from the top of the fan motor assembly (F) through the coupling cover (E) and the canopy bottom cover (C). Ensure the slot openings are on top.
- Route the wires through the canopy (B) and then through the hanger ball/downrod assembly (D).
- Align the holes at the bottom of the hanger ball/downrod assembly (D) with the holes in the collar on top of the fan motor assembly (F).
- Carefully insert the clevis pin (FF) through the holes in the collar and the hanger ball/downrod assembly (D). Be careful not to jam the clevis pin (GG) against the wiring inside the hanger ball/downrod assembly (D).

- Insert the cotter pin (GG) through the hole near the end of the clevis pin (FF) until it snaps into the locked position.
- Tighten the two collar setscrews (HH) on top of the fan motor assembly (F) firmly.



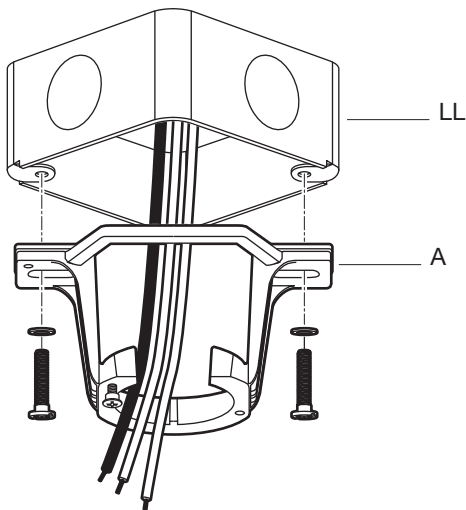
Assembly – Hanging the Fan

4 Installing the mounting bracket to the electrical box



WARNING: To reduce the risk of fire, electric shock, or other personal injury, mount the fan only to an outlet box or supporting system marked acceptable for fan support and use the mounting screws provided with the outlet box.

- Pass the 120-volt supply wires through the center hole in the mounting bracket (A).
- Install the mounting bracket (A) to the outlet box (LL) with the screws and washers provided with the outlet box (LL).
- Securely tighten the two mounting screws.

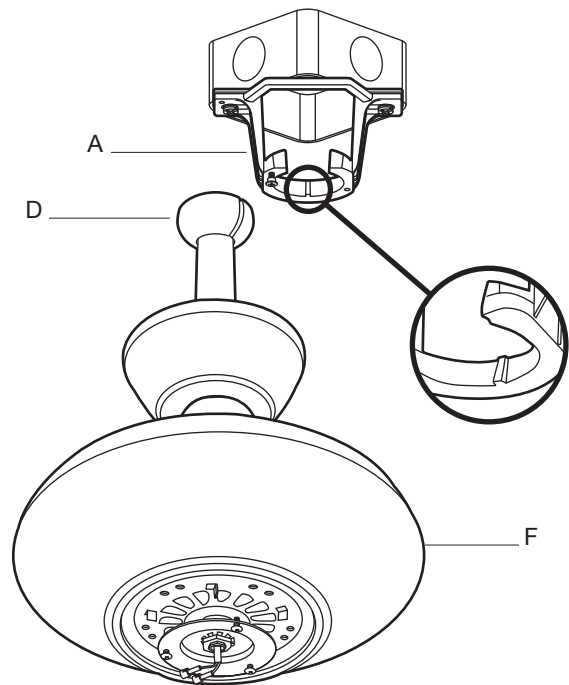


5 Hanging the fan to the mounting bracket



WARNING: The tab in the ring must rest in the groove of the hanger ball/downrod assembly (D). Failure to properly seat the tab in the groove could cause damage to the wiring.

- Carefully lift the fan motor assembly (F) up to the mounting bracket (A), and seat the hanger ball/downrod assembly (D) in the mounting bracket (A) socket. Make sure the tab on the mounting bracket (A) socket is properly seated in the groove in the hanger ball/downrod assembly (D). This will help to balance the ceiling fan.



Assembly — Preparing the Remote Control

6 Preparing the receiver and remote control



WARNING: To avoid possible electrical shock, ensure electricity is turned off at the main fuse box before connecting the wiring.



CAUTION: The frequency switches on the receiving unit are covered with a rubber cover. Remove the rubber cover, and then replace it after making any changes to the frequency switches.

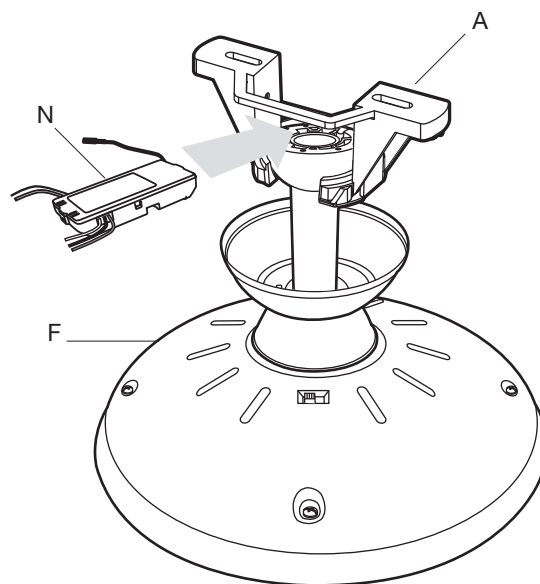
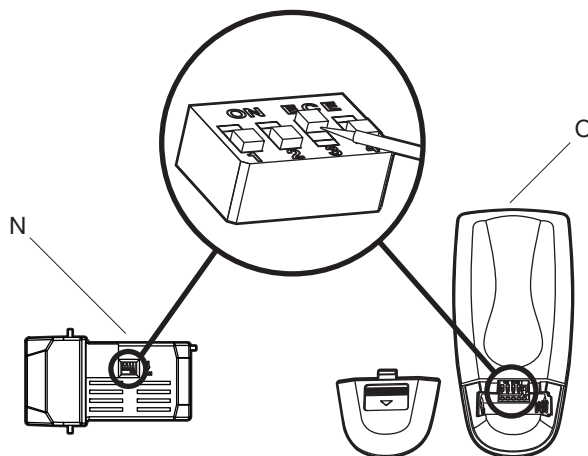


CAUTION: Do not use with a wall light dimmer switch.

If you feel you do not have enough electrical wiring knowledge or experience, have your fan installed by a licensed electrician.

This remote control unit is equipped with 16 code combinations to prevent possible interference from or to other remote units. The frequency switches on your receiver (N) and remote control (O) have been preset at the factory. Please recheck to make sure the switches on the remote control (O) and the receiver (N) are set to the same position. Any combination of settings will operate the fan as long as the remote control (O) and receiver (N) are set to the same position.

- After checking the switches, insert the receiver (N) into the mounting bracket (A) with the flat side of the receiver (N) facing the ceiling.



Assembly – Making Electrical Connections

7 Making the electrical connections



WARNING: Check to see that all connections are tight, including ground, and that no bare wire is visible at the wire nuts, except for the ground wire.



CAUTION: Do not use with a wall light dimmer switch.



NOTE: The fan must be installed at a maximum distance of 20 feet from the remote control for proper signal transmission between the remote control and the fan's receiving unit.

Follow the steps below to connect the fan to your household wiring. Use the plastic wire nuts (AA) with your fan. Secure the wire nuts with electrical tape. Make sure there are no loose strands or connections.

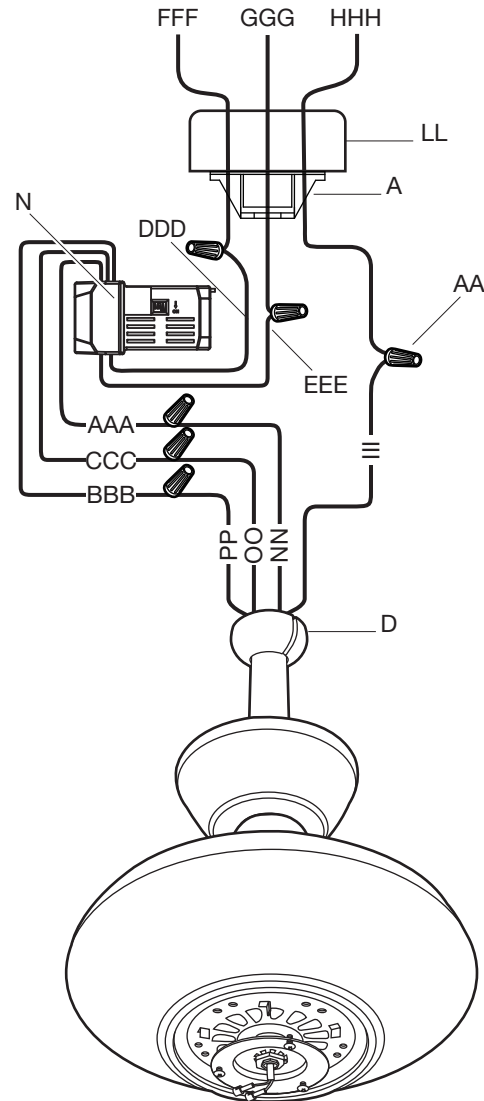
Motor to receiver electrical connections:

- Connect the black wire (NN) from the fan to the black wire (AAA) marked "TO MOTOR L" from the receiver (N).
- Connect the white wire (PP) from the fan to the white wire (BBB) marked "TO MOTOR N" from the receiver (N).
- Connect the blue wire (OO) from the fan to the blue wire (CCC) marked "For Light" from the receiver (N).

Receiver to house supply wires electrical connections:

- Connect the black (hot) wire (FFF) from the ceiling to the black wire (DDD) marked "AC in L" from the receiver (N).
- Connect the white (neutral) wire (GGG) from the ceiling to the white wire (EEE) marked "AC in N" from the receiver (N).

- If your outlet box (LL) has a ground wire (HHH) (green or bare copper), connect it to the fan ground wire (III); otherwise, connect the hanger ball/downrod assembly (D) ground wire to the mounting bracket (A).
- Secure the wire connection with a plastic wire nut (AA) provided with the electrical hardware.
- After connecting the wires, spread them apart so that the green and white wires are on one side of the outlet box (LL) and the black and blue wires are on the other side. Carefully tuck the wire connections up into the outlet box (LL).



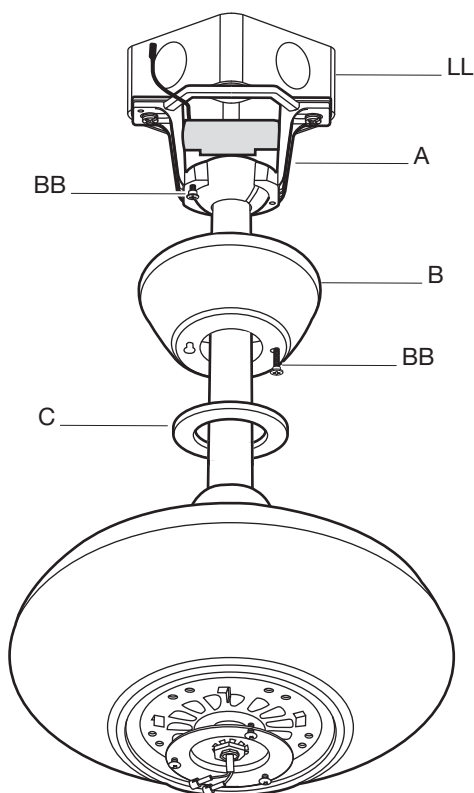
Assembly — Completing the Fan Body

8 Installing the canopy



WARNING: Make sure the tab on the mounting bracket (A) properly sits in the groove in the hanger ball/downrod assembly (D) before attaching the canopy (B) to the mounting bracket (A) by turning the canopy housing until it drops into place.

- Make sure connections are neatly tucked in the ceiling outlet box (LL).
- Slide the canopy (B) up to the mounting bracket (A) and place the key hole on the canopy (B) over the loose mounting bracket screw (BB) on the mounting bracket (A). Turn the canopy (B) clockwise until it locks in place at the narrow section of the key holes.
- Align the circular hole on the canopy (B) with the remaining hole on the mounting bracket (A). Secure the mounting bracket screw (BB) previously removed in the hole, and tighten the two mounting bracket screws (BB).

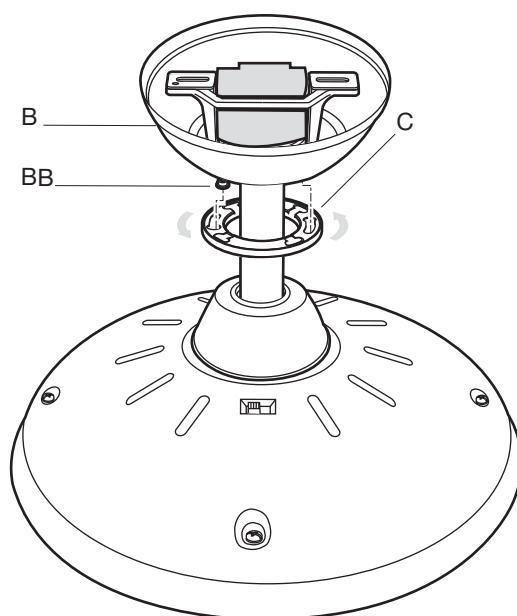


9 Attaching the canopy bottom cover

- Attach the canopy bottom cover (C) to the mounting bracket screw (BB) heads on the bottom of the canopy (B) by inserting the screw heads into the key slots in the canopy bottom cover (C) and rotating the canopy bottom cover (C) clockwise.



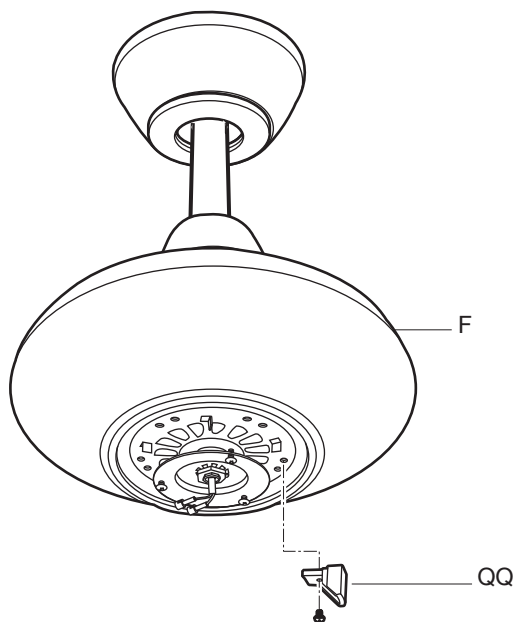
NOTE: Adjust the mounting bracket screws (BB) as necessary until the canopy (B) and canopy bottom cover (C) are snug.



Assembly — Attaching the Fan Blades

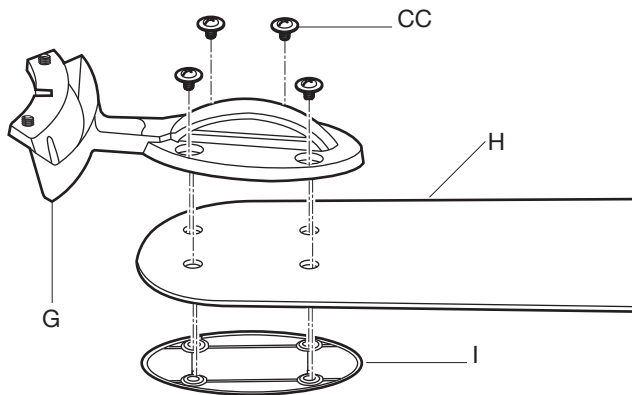
10 Removing the rubber packing mounts

- The fan motor assembly (F) is shipped with rubber packing mounts (QQ) to prevent movement during transportation. Remove the five rubber packing mounts (QQ) from the fan motor assembly and discard prior to attaching the blade arms.



11 Attaching the blades to the blade arms

- Attach the blades (H) to the blade arms (G) and blade medallion (I) using the three blade attachment screws and fiber washers (CC). Start a screw with fiber washer (CC) into the blade medallion (I), but do not tighten.
- Repeat for the two remaining blade attachment screws and fiber washers (CC).
- Tighten each screw securely starting with the center screw. Make sure the blade (H) is straight.
- Repeat these steps for the remaining blades.

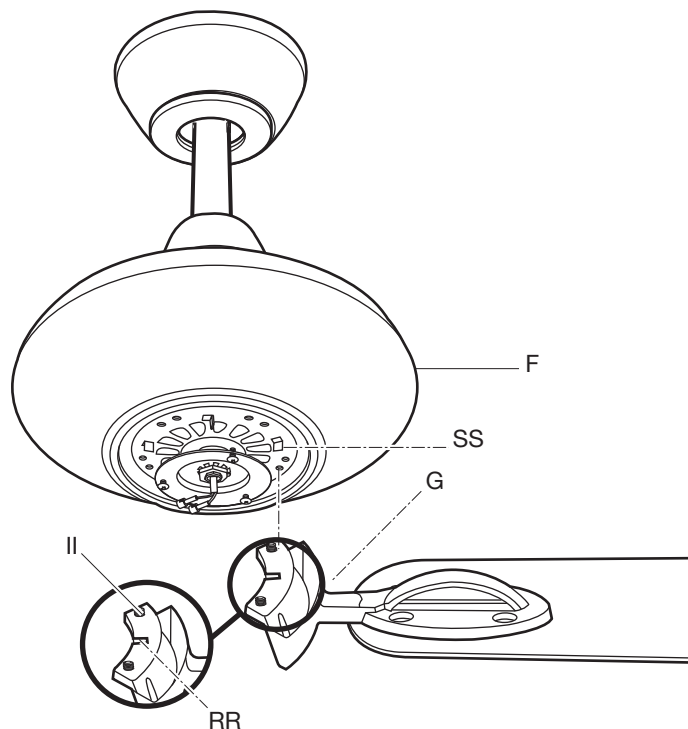


12 Fastening the blade assemblies to the motor



WARNING: To reduce the risk of personal injury, do not bend the blade arms (G) while installing the brackets, balancing the blades (H), or cleaning the fan. Do not insert foreign objects between rotating fan blades (H).

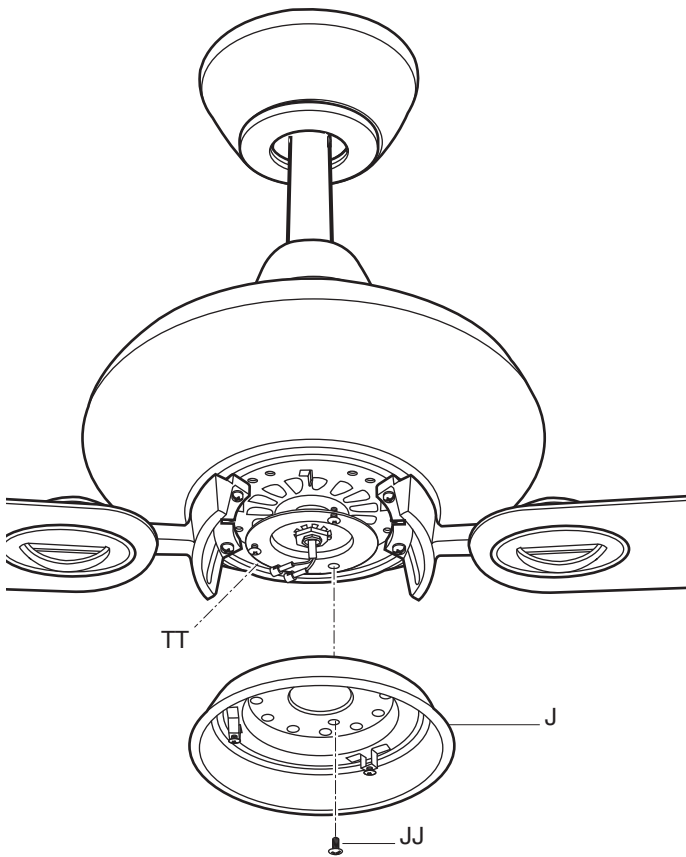
- Fasten the blade assemblies to the fan motor assembly (F) by lining up the slot of the blade arms (RR) with the tab on the motor (SS).
- Tighten the two blade arm screws and lock washers (II) already installed in the blade arms (G).
- Repeat this procedure for the remaining blade arms (G).



Assembly – Installing the Light Kit

13 Attaching the light kit mounting plate to the mounting ring

- Remove one of three mounting plate screws (JJ) from the mounting ring (TT), and loosen the other two screws. (Do not remove.)
- Place the key holes in the light kit mounting plate (J) over the two screws (JJ) previously loosened from the mounting ring (TT). Turn the light kit mounting plate (J) until it locks in place at the narrow section of the key holes. Secure by tightening the two mounting plate screws (JJ) previously loosened and the one (JJ) previously removed.

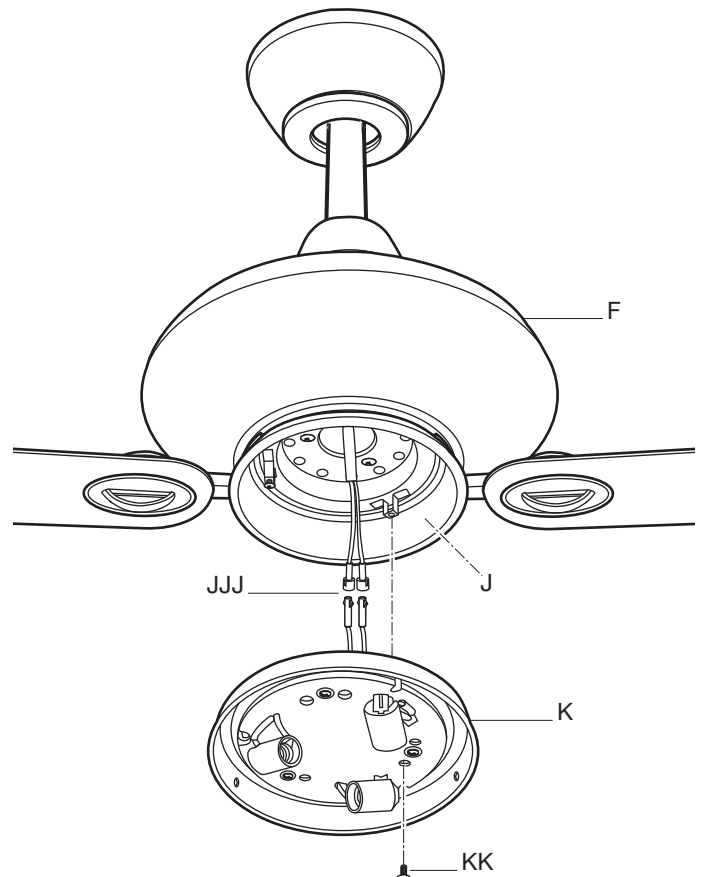


14 Attaching the light kit to the light kit mounting plate



WARNING: Before starting installation, disconnect the power by turning off the circuit breaker or removing the fuse at the fuse box. Turning power off using the fan switch is not sufficient to prevent electric shock.

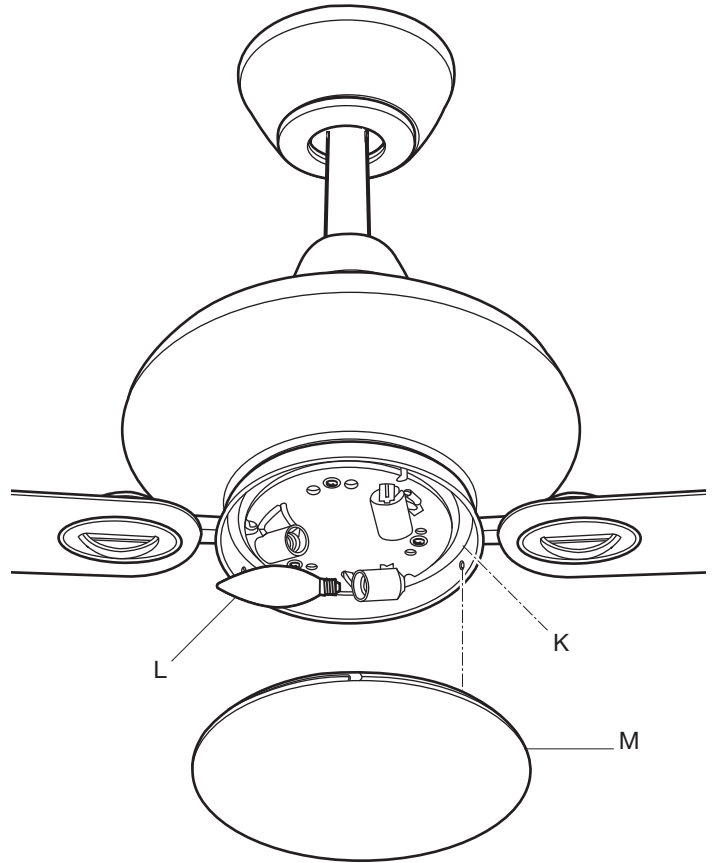
- Remove one of three light kit mounting screws (KK) from the light kit mounting plate (J), and loosen the other two screws (KK). (Do not remove.)
- While holding the light kit (K) under your fan motor assembly (F), make the wire connections (JJJ):
 - White to white
 - Black to blue
- Place the key holes in the light kit (K) over the two screws (KK) previously loosened from the light kit mounting plate (J). Turn the light kit (K) until it locks in place at the narrow section of the key holes. Secure by tightening the two light kit mounting screws (KK) previously loosened and the one (KK) previously removed.



Assembly — Installing the Light Kit (continued)

15 Installing the light bulbs and glass shade

- Install three 40 Watt candelabra bulbs (L) (included).
- Raise the glass shade (M) up against the light kit (K), and secure the glass shade (M) to the fan by turning the glass shade (M) counterclockwise until snug. DO NOT OVERTIGHTEN.




Operation

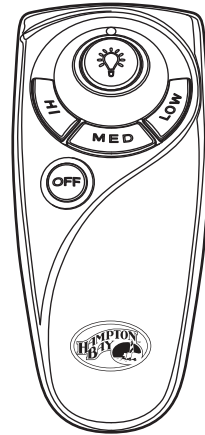
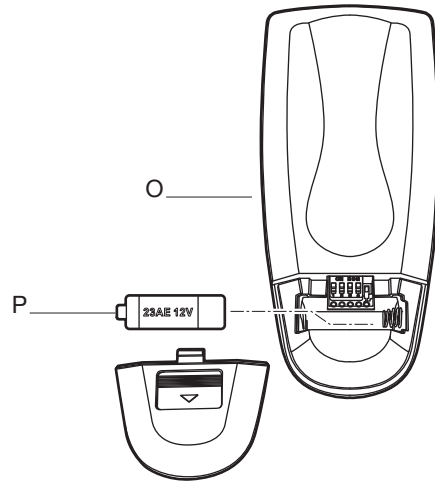
REMOTE CONTROL OPERATING INSTRUCTIONS

- Install a 12V MN21/A23 battery (P) (included) into the remote control (O). To prevent damage to the remote control (O), remove the battery if not used for long periods.
- Restore power to the ceiling fan, and test for proper operation.

"HI , MED, LOW" buttons: These three buttons are used to set the fan speed as follows: LOW = Low speed, MED = Medium speed, and HI = High speed.

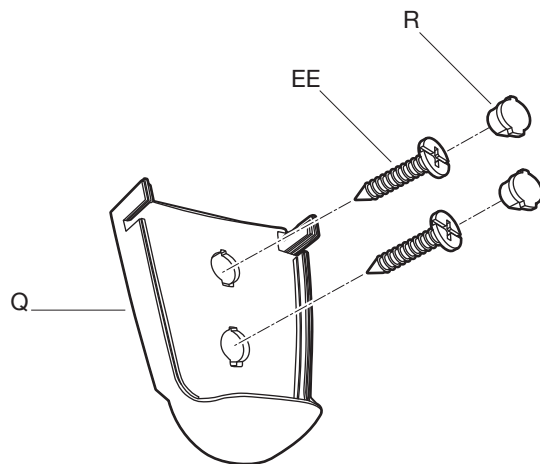
"OFF" button: This button turns the fan off.

The "  " button turns the light ON or OFF and also controls the brightness setting. Press and release the button to turn the light ON or OFF. Press and hold the button to set the desired brightness. The light button has an auto-resume; it will stay at the same brightness as the last time it was turned off.



INSTALLING THE REMOTE CONTROL HOLDER

- Remove the two remote control holder plugs (R) from the remote control holder (Q). Note that the plugs have unique tabs that allow them to fit only in one hole.
- Attach the remote control holder (Q) with the two remote control holder mounting screws (EE).
- Replace the two remote control holder plugs (R) each into its own hole.



Operation (continued)

REVERSE SWITCH OPERATING INSTRUCTIONS

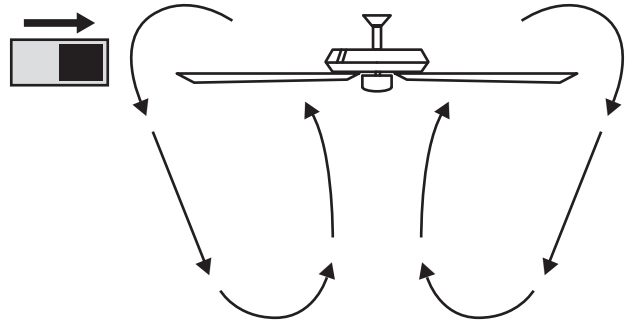
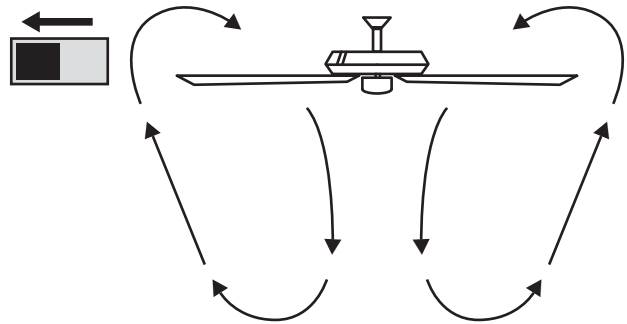
The reverse switch is located on the top of the motor housing. Slide the switch to the left for warm weather operation. Slide the switch to the right for cool weather operation.



NOTE: Wait for the fan to stop before reversing the direction of the blade rotation.

Warm weather - (Counterclockwise Direction) A downward air flow creates a cooling effect. This allows you to set your air conditioner on a warmer setting without affecting your comfort.

Cool weather - (Clockwise Direction) An upward air flow moves warm air off the ceiling. This allows you to set your heating unit on a cooler setting without affecting your comfort.



Care and Cleaning

Do

- Check the support connections, brackets, and blade attachments twice a year. Make sure they are secure. Because of the fan's natural movement, some connections may become loose over time. It is not necessary to remove the fan from the ceiling.
- Clean your fan periodically. Use only a soft brush or lint-free cloth to avoid scratching the finish. The plating is sealed with a lacquer to minimize discoloration or tarnishing.
- (Optional) Apply a light coat of furniture polish to the wood blades.
- (Optional) Cover small scratches with a light application of shoe polish.

Do not

- Use water when cleaning. Water could damage the motor, or the wood, or possibly cause an electrical shock.
- Apply oil to your fan or motor. The motor has permanently-lubricated sealed ball bearings.

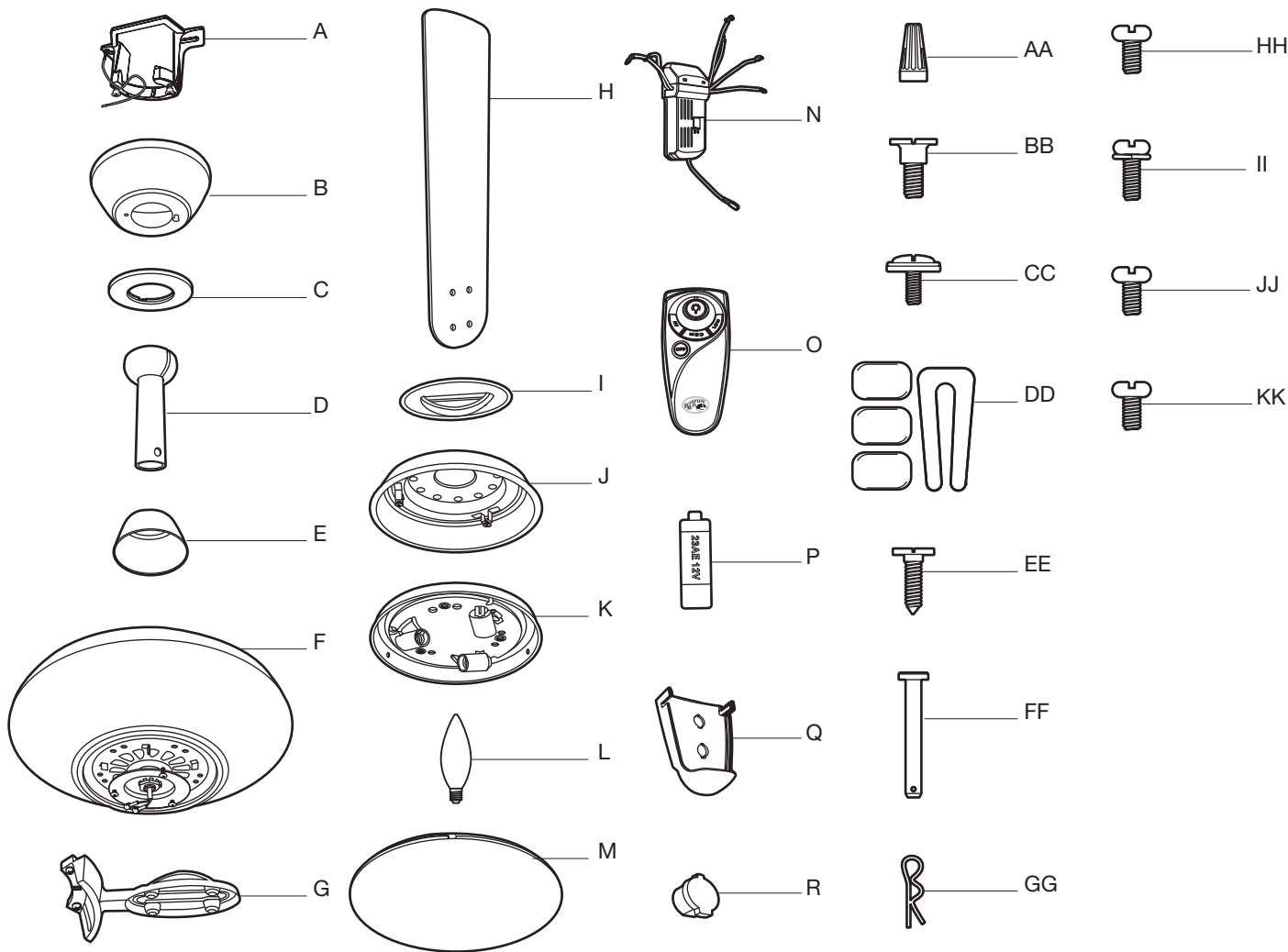
Troubleshooting



WARNING: Make sure the power is off at the electrical panel box before you attempt any repairs. Refer to step 7 "Making the Electrical Connections" on page 11.

Problem	Solution
The fan will not start.	<input type="checkbox"/> Check the main and branch circuit fuses or breakers.
	<input type="checkbox"/> Check the line wire connections to the fan and switch wire connections in the switch housing.
	<input type="checkbox"/> Check to make sure the dip switches from the remote control and receiver are set to the same frequency.
The fan sounds noisy.	<input type="checkbox"/> Make sure all motor housing screws are snug.
	<input type="checkbox"/> Make sure the screws that attach the fan blade arm to the motor hub are tight.
	<input type="checkbox"/> Make sure wire nut connections are not rattling against each other or the interior wall of the switch housing.
	<input type="checkbox"/> Allow a 24-hour "breaking-in" period. Most noises associated with a new fan disappear during this time.
	<input type="checkbox"/> If using the ceiling light kit, make sure the screws securing the glassware are tight. Check that the light bulb is also secure.
	<input type="checkbox"/> Make sure there is a short distance from the ceiling to the canopy. It should not touch the ceiling.
Lights shut off and will not come back on.	<input type="checkbox"/> This unit is equipped with a wattage limiting device. Lamping in excess of 190 watts will disable your ceiling fan's light kit. To reset your light kit, you must turn the power off and relamp, keeping the wattage under 190 watts. Restore power to your ceiling fan and continue normal operation.
The remote control is not working.	<input type="checkbox"/> Do not connect the fan with wall mounted variable speed control(s).
	<input type="checkbox"/> Check to make sure the dip switches from the remote control and receiver are set to the same frequency.
The fan wobbles.	<input type="checkbox"/> Check that all blade and blade arm screws are secure.
	<input type="checkbox"/> Most fan wobble problems are caused when blade levels are unequal. Check this level by selecting a point on the ceiling above the tip of one of the blades. Measure from a point on the center of each blade to the point on the ceiling. Rotate the fan until the next blade is positioned for measurement. Repeat for each blade. Measurements deviation should be within 1/8 in. Run the fan for 10 minutes.
	<input type="checkbox"/> Use the enclosed blade balancing kit if the blade wobble is still noticeable.

Service Parts



Part	Description
A	Mounting bracket (preassembled)
B	Canopy
C	Canopy bottom cover
D	Hanger ball/downrod assembly
E	Coupling cover
F	Fan motor assembly
G	5 Blade arms
H	5 Blades
I	5 Blade medallions
J	Light kit mounting plate
K	Light kit
L	40 Watt candelabra bulb
M	Glass shade
N	Receiver
O	Remote control

Part	Description
P	12V MN21/A23 battery
Q	Remote control holder
R	Remote control holder plug
AA	Plastic wire nut
BB	Mounting bracket screw (preassembled)
CC	Blade attachment screw and fiber washer
DD	Balance kit
EE	Remote control holder mounting screw
FF	Clevis pin (preassembled)
GG	Cotter pin (preassembled)
HH	Collar setscrew (preassembled)
II	Blade arm screw (preassembled)
JJ	Light kit mounting plate screw (preassembled)
KK	Light kit mounting screw (preassembled)



Questions, problems, missing parts? Before returning to the store,
call Hampton Bay Customer Service
8 a.m. - 6 p.m., EST, Monday-Friday

1-877-527-0313

HAMPTONBAY.COM

Retain this manual for future use.

AL975000001-Y

Free Manuals Download Website

<http://myh66.com>

<http://usermanuals.us>

<http://www.somanuals.com>

<http://www.4manuals.cc>

<http://www.manual-lib.com>

<http://www.404manual.com>

<http://www.luxmanual.com>

<http://aubethermostatmanual.com>

Golf course search by state

<http://golfingnear.com>

Email search by domain

<http://emailbydomain.com>

Auto manuals search

<http://auto.somanuals.com>

TV manuals search

<http://tv.somanuals.com>