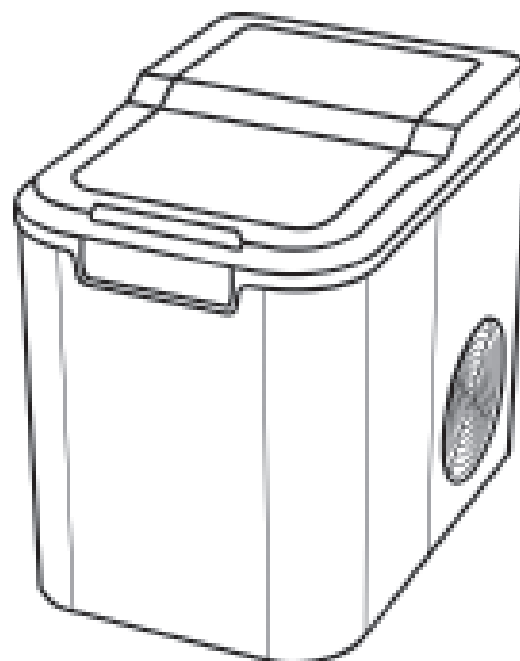


Portable Ice Maker

Instruction Manual

To ensure proper use and for your safety, please read the following instructions completely before operating this appliance.



PIM Series

Proper Care and Cleaning of the Portable Ice Maker

Cleaning the Outside of the Portable Ice Maker

- Make sure the unit is unplugged before attempting to clean and allow it to warm up to room temperature.
- To maintain maximum efficiency and to prevent bacterial growth in the portable ice maker, we strongly recommend cleaning every 4 months.
- Wipe the outside of the Portable Ice Maker with a mild soap and water mixture. Never use harsh chemicals or abrasive cleaners. Rinse thoroughly with clean water and dry all surfaces.
- Do not immerse the unit in water.

Cleaning the Ice Storage Basket and Scoop

The Ice Storage Basket (see # 8 on the Parts and Features list) and scoop should be removed and cleaned regularly to remove spotting and mineral deposits.

1. Remove the Ice Storage Basket by pulling it up and out and rinse with clean water.
2. Clean using a mild soap and warm water mixture. For tough deposits add vinegar and let soak until the deposits come loose. Then wash, rinse and dry thoroughly.
3. To replace the ice storage basket, simply slide the basket back into the reservoir.
4. Repeat steps 1 & 2 for the ice scoop.

Cleaning the Water Reservoir and interior of the Portable Ice Maker

IMPORTANT NOTE: Do not clean the Metal Fingers (see #9 on Parts and Features list).

Make sure the unit is unplugged before attempting to clean and allow it to warm up to room temperature.

1. Unscrew the cap of the Water Outlet (part # 6 on Parts and Features list) and drain all the water into a sink or bucket.
2. Remove the Ice Storage Basket.

Congratulations, you have acquired a high quality Hamilton Beach™ Portable Ice Maker. This product allows you to make ice cubes and has many features that you will find convenient to use. Please record the model number, serial number, and the manufacture date, which can be found on the label on the back of the unit.

model number serial number manufacture date date of purchase

READ ALL INSTRUCTIONS BEFORE USING!

SAVE THIS MANUAL FOR FUTURE USE!

No product registration is required for this unit. When making a customer service call, please have the model number, manufacture date, and serial number on hand.

CUSTOMER SERVICE: 1-800-256-8169

TABLE OF CONTENTS

PARTS AND FEATURES LIST.....2
 IMPORTANT SAFEGUARDS.....3
 GROUNDING INSTRUCTIONS AND GETTING FAMILIAR.....4
 PROPER INSTALLATION AND LOCATION.....5
 PREPARING, LOADING AND OPERATING YOUR ICE MAKER.....5
 CARE AND CLEANING.....6
 TROUBLESHOOTING GUIDE.....8
 WARRANTY INFORMATION.....10

3. Pour clean water into the reservoir, and use a clean cloth to wipe down the sides of the reservoir. Allow all of the water to flow out of the Water Outlet and replace cap.
4. **Note:** For tough deposits add vinegar to the water and let soak until the deposits come loose.

Self-Clean Mode Operating Instructions

The Self-Clean mode should be put into operation before you use your Portable Ice Maker for the first time and/or if there has been a long period of time without use. The Ice Storage Basket Full Indicator Light, Add Water Indicator light, and Power Indicator Light (see A, B, and C on the Parts and Features list) will be on at the same time when the unit is in Self-Clean mode.

Stage 1

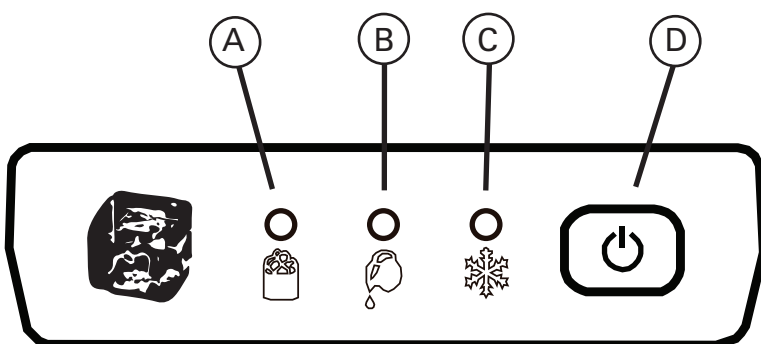
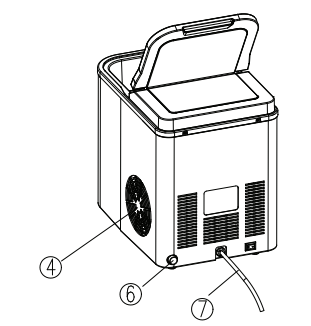
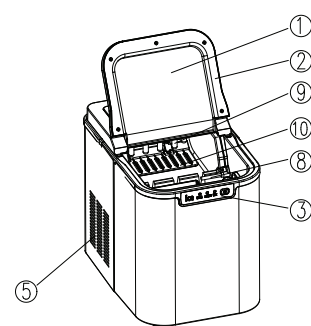
1. Add equal parts of water and vinegar (1:1) to the unit’s reservoir.
2. Press the Power Button (ON/OFF) (see D on Parts and Features list) repeatedly for at least 5 seconds to activate the Self-Clean mode. **Note:** Self-Clean mode will start automatically after the “Beep” sound.
3. During the Self-Clean mode, the Ice Making Area (see # 10 on the Parts and Features list) is filled and emptied. The pump will remain in continuous operation as it feeds water to the Ice Making Area and the Metal Fingers (see # 9 on the Parts and Features list). This cycle will repeat itself five times.
4. Upon completion, the Self-Clean mode will automatically shut off.

Stage 2

1. Drain the cleaning solution from the reservoir by removing the Water Outlet cap (see # 6 on the Parts and Features list).
2. Add clean water to the MAX water level mark.
3. Press the Power Button (ON/OFF) repeatedly for at least 5 seconds to activate the Self-Clean mode again which will now act as a rinse.
4. Upon completion of this final stage of the Self-Clean process, the Self-Clean mode will automatically shut off. Proceed to drain the water from the Water Outlet by removing the cap. Leave the Cover (see # 2 on the Parts and Features list) of the unit open to allow it to air dry.

Parts and Features

1. Viewing Window
2. Cover
3. Control Panel (see close up)
4. Air Outlet
5. Air Inlet
6. Water Outlet
7. Power Cord
8. Ice Storage Basket
9. Metal Fingers
10. Ice Making Area



CONTROL PANEL CLOSE UP

- A. Ice Storage Basket Full Indicator Light
- B. Add Water Indicator Light
- C. Power Indicator Light
- D. Power Button (On/Off)

Note: If there is a water shortage during either stage of the Self-Clean mode, the Self-Clean mode will automatically shut off. Add more water and repeat steps 1 - 4.

To cancel Self-Clean mode, simply press and hold the Power Button (ON/OFF) for 5 seconds.

Troubleshooting the Portable Ice Maker

Problem	Possible Causes	Solution
POWER Indicator Light is not turning on	<ol style="list-style-type: none"> 1. Portable Ice Maker is unplugged. 2. The fuse is blown/circuit breaker is tripped. 3. Internal components are damaged. 	<ol style="list-style-type: none"> 1. Push plug completely into outlet. 2a. Replace fuse or reset circuit breaker. 2b. If too many items are plugged into a single circuit, move some items to a different plug. 3. Call Customer Service.
ICE BASKET FULL Indicator Light is on	<ol style="list-style-type: none"> 1. Ice Storage Basket is full. 2. Low-temperature protection activated. (ambient temperature is lower than 41 degrees F, 5 degrees C). 	<ol style="list-style-type: none"> 1. Remove ice from Ice Storage Basket. 2. Move the Portable Ice Maker to a warmer place, where the ambient temperature is higher than 41 degrees F, 5 degrees C).
ADD WATER Indicator Light is on	<ol style="list-style-type: none"> 1. Water Reservoir is empty. 2. Water supply system is damaged. 	<ol style="list-style-type: none"> 1. Add clean water. 2. Call Customer Service.
ICE BASKET FULL and ADD WATER Indicator Lights are on at the same time	<ol style="list-style-type: none"> 1. Ice Making Area may be blocked. 2. Internal components are damaged. 	<ol style="list-style-type: none"> 1. Check for ice blocking Ice Making Area. 2. Call Customer Service

IMPORTANT SAFEGUARDS

- When using electrical appliances, basic safety precautions should be followed, including the following:
 - **WARNING: BURN HAZARD.** Do not touch the Metal Fingers (see # 9 on Parts and Features list) while the unit is making ice, it may burn your skin. Children should be supervised by an adult when using this product.
 - **WARNING: FIRE HAZARD.** Do not store or use gasoline or other flammable vapors and liquids in the vicinity of this or any other appliance. Do not operate the dispenser with a damaged cord. Do not use with an underrated extension cord or an extension cord without a ground.
 - **WARNING: SHOCK HAZARD.** Unplug the Portable Ice Maker before cleaning or wiping up spilled water on the unit. Do not attempt to service the Portable Ice Maker. Do not operate with a damaged cord.
 - **NOTE:** Do not let power cord hang over edge of table or counter, or touch hot surfaces. Do not let the power cord cross over carpeting or other heat insulators. Do not cover the cord.
 - Never turn the unit upside down or tilt more than 45 degrees. If the unit has been resting on its side for a long period of time, you must position it in the upright position for approximately 12 hours before turning it on.
 - Never use this unit with water that is unsafe to drink or is from an unknown source. Never use any other liquid in the unit other than drinking water.
 - If the unit is brought inside from cold outdoor temperatures, allow it to warm up to room temperature, for at least a few hours before operating. Ambient temperature of the unit should be not be less than 41 degrees F (5 degrees C).
 - Install the unit in a dry place away from direct sunlight. Do not place on or near a hot gas or electric burner, or in a heated oven. For indoor use only.
 - Never put anything flammable close to the unit.
 - Leave a minimum of 8” (20 cm) around the back and sides of the unit for proper ventilation.
 - Regular cleaning of the unit is required for proper operation. Clean the unit every four months using the instructions in this manual.

SAVE THESE INSTRUCTIONS!

Troubleshooting Continued...

Problem	Possible Causes	Solution
Ice making performance is poor	<ol style="list-style-type: none"> 1. Air Inlet/Outlet is blocked 2. Water temperature is too high. 3. Ambient temperature is too high. 4. Refrigerant is leaking and/or Refrigerating system is damaged. 	<ol style="list-style-type: none"> 1. Clean the Air Inlet/Outlet (see # 4 and 5 in Parts and Features list). 2. Fill with room temperature water 3. Move the Portable Ice Maker to a cooler place, where the ambient temperature is lower than 95 degrees F (38 degrees C). 4. Call Customer Service.
Portable Ice Maker is noisy	<ol style="list-style-type: none"> 1. Fan or pump is damaged. 	<ol style="list-style-type: none"> 1. Call Customer Service.

Grounding Instructions

WARNING: Modifying or defeating the grounding plug can result in a risk of electric shock.

- This appliance must be grounded. In the event of an electrical short circuit, grounding reduces the risk of electric shock.
- This appliance is equipped with a power cord that has a grounding wire with a grounding plug. The plug must be plugged into a 3 prong outlet that is properly installed and grounded.
- Consult a qualified electrician if the grounding instructions are not completely understood, or if doubt exists as to whether the appliance is properly grounded.
- Do not under any circumstances cut or remove the third ground prong from the power cord.
- Do not use an extension cord with this appliance. If the power cord is too short, have a qualified electrician install an outlet near the desired location of the unit.
- For best operation, plug the appliance securely into its own electrical outlet on a dedicated circuit not shared with any other appliances to prevent blowing a fuse or tripping the circuit breaker.

Getting familiar with your Hamilton Beach Portable Ice Maker

Features

- Designed for home or office use.
- Using compressor refrigeration technology, the Portable Ice Maker processes ice cubes quickly and efficiently.
- Ice making process can be watched through Viewing Window (see #1 on Parts and Features list).
- Push-button operation. Indicator lights show the working status of the unit and provide automatic alerts for when to add more water and when the Ice Storage Basket (see # 8 on Parts and Features list) is full.
- Self-Clean function can be run to automatically keep the unit clean.

LIMITED WARRANTY

This warranty applies to products purchased and used in the US and Canada. This is the only express warranty for this product and is in lieu of any other warranty or condition.

This product is warranted to be free from defects in materials and workmanship for a period of one (1) year from the date of original purchase. During this period, your exclusive remedy is replacement of this product or any component found to be defective at our option; however, you are responsible for all costs associated with returning the product to us and our returning a product or component under this warranty to you. If the product or component is no longer available, we will replace with a similar one of equal or greater value.

This warranty does not cover glass, filters, wear from normal use, use not in conformity with the printed directions, or damage to the product resulting from accident, alteration, abuse, or misuse. This warranty extends only to the original consumer purchaser or gift recipient. Keep your original sales receipt, as proof of purchase is required to make a warranty claim. This warranty is void if the product is used for other than single - family household use or subjected to any voltage and waveform other than as specified on the rating label (e.g., 115V ~ 60 Hz).

We exclude all claims for special, incidental and consequential damages caused by breach of express or implied warranty. All liability is limited to the amount of the purchase price. **Every implied warranty, including any statutory warranty or condition of merchantability or fitness for a particular purpose, is disclaimed except to the extent prohibited by law, in which case such warranty or condition is limited to the duration of this written warranty.** This warranty gives you specific legal rights. You may have other legal rights that vary depending on where you live. Some states or provinces do not allow limitations on implied warranties or special, incidental, or consequential damages, so the foregoing limitations may not apply to you.

To make a warranty claim, do not return this appliance to the store. Please call 1.800.256.8169 or 716.235.1300 in the U.S. and Canada or visit hamiltonbeach.com in the U.S. or hamiltonbeach.ca in Canada. For faster service, locate the model, type, and series number is on your appliance.

Proper Installation and Location

- The Portable Ice Maker is for indoor use only. Do not use outdoors.
- Place the unit on a dry and level surface away from hot gas or electric burners. Do not place in direct sunlight.
- To ensure your unit works at the maximum efficiency, leave at least 8 inches (20 cm) of clearance between all sides of the unit and any walls.
- To prevent damage to the unit and to avoid injury, do not plug unit into the power source until reading the instructions first!
- Do not transport or store the Portable Ice Maker upside down or on its side in order to avoid disrupting the fluids inside the compressor. To ensure maximum performance, allow the unit to sit upright at room temperature for at least 3 hours before first use.

Preparing, Loading and Operating Your Portable Ice Maker

1. It is advisable to clean the unit prior to first use. See the cleaning instructions on page 6.
2. Ensure the Water Outlet (see # 6 on Parts and Features list) on the back of the unit is secure.
3. Plug the Portable Ice Maker into the outlet and the Power Indicator Light (see C on the Parts and Features list) will turn on.
4. Open the Cover (see #2 on the Parts and Features list) and remove the Ice Storage Basket (see # 8 on the Parts and Features list).
5. Fill the water reservoir up to the MAX water level mark. Use only cold or room temperature drinking water for making ice. Do not pour hot water into reservoir. Do not fill above the MAX water level mark.
6. Replace the Ice Storage Basket and close the Cover.
7. Press the Power Button (see D on the Parts and Features list) on the Control Panel to start making ice.
8. The “Ice Storage Basket Full” Indicator Light (see A on the Parts and Features list) will turn on when the Ice Storage Basket is full and the unit will stop making ice automatically. Once the ice has been removed from the Ice Storage Basket and the Cover closed, the ice making cycle will continue automatically.
9. The “Add Water” Indicator Light (see B on the Parts and Featured list) will turn on when the water reservoir is empty and the ice making cycle will stop automatically. Add water to continue using the unit.



Free Manuals Download Website

<http://myh66.com>

<http://usermanuals.us>

<http://www.somanuals.com>

<http://www.4manuals.cc>

<http://www.manual-lib.com>

<http://www.404manual.com>

<http://www.luxmanual.com>

<http://aubethermostatmanual.com>

Golf course search by state

<http://golfingnear.com>

Email search by domain

<http://emailbydomain.com>

Auto manuals search

<http://auto.somanuals.com>

TV manuals search

<http://tv.somanuals.com>