

TOSHIBA



USER MANUAL

RAC-WK0511CMU

RAC-WK0611CRU

RAC-WK0811ESCWU

RAC-WK1011ESCWU

RAC-WK1211ESCWU

RAC-WK1511ESCRU

RAC-WK1821ESCRU

Safety Precautions

Unit Specifications

Operating Instructions

Installation Instructions

Care and Cleaning

Troubleshooting Tips

Remote Control Operating Instructions

Warning notices: Before using this product, please read this manual carefully and keep it for future reference.

The design and specifications are subject to change without prior notice for product improvement. Consult with your dealer or manufacturer for details.

Owner's Manual

0	Safety Precautions	3
1	Unit Specifications	7
2	Operating Instructions	9
3	Installation Instructions	15
4	Care and Cleaning	33
5	Troubleshooting Tips	34
6	Remote Control Operating Instructions	35

Read This Manual

Inside you will find many helpful hints on how to use and maintain your air conditioner properly. Just a little preventive care on your part can save you a great deal of time and money over the life of your air conditioner. You'll find many answers to common problems in the troubleshooting tips - you should be able to fix most of them quickly before calling service. These instructions may not cover every possible condition of use, so common sense and care for safety is required when installing, operating and maintaining this product.



CAUTION

- This appliance is not intended for use by persons (including children) with reduced physical ,sensory or mental capabilities or lack of experience and knowledge, unless they have been given supervision or instruction concerning use of the appliance by a person responsible for their safety.
- Contact the authorized service technician for repair or maintenance of this unit.
- Contact the installer for installation of this unit.
- The air conditioner is not intended for use by young children or infirm persons without supervision.
- Young children should be supervised to ensure that they do not play with the air conditioner.
- If the power cord needs to be replaced, please contact our consumer service and look for an authorized technician.
- Electrical installation must be performed in accordance to national regulation standards by qualified personnel only.
- The appliance shall be installed in accordance with national wiring regulations.
- Do not operate your air conditioner in a wet room such as a bathroom or laundry room.
- The appliance with electric heater shall have at least 1 meter space to the combustible materials.

SAFETY PRECAUTIONS

To prevent injury to the user or other people and property damage, the instructions shown here must be followed. Incorrect operation due to ignoring of instructions may cause harm or damage. The level of risk is shown by the following indications.



This symbol indicates the possibility of death or serious injury.



This symbol indicates the possibility of injury or damage to property.



WARNING

- Plug in power plug properly.
Otherwise, it may cause electric shock or fire due to excess heat generation.
- Do not modify power cord length or share the outlet with other appliances.
It may cause electric shock or fire due to overheat.
- Always ensure effective grounding.
Incorrect grounding may cause electric shock.
- Unplug the unit if strange sounds, smell, or smoke comes from it.
A damaged product may cause fire and electric shock.
- Keep firearms away.
- Ventilate room before operating the air conditioner if there is a gas leakage from another appliance.
- Do not operate or stop the unit by inserting or pulling out the power plug.
- Do not operate with wet hands or in very humid environments.
It may cause electric shock.
- Do not allow water to touch into electric parts.
It may cause failure or electric shock.
- Do not use the socket if it is loose or damaged.
It may cause fire and electric shock.
- Do not use or keep the power cord close to heating appliances.
It may cause fire and electric shock.
- Do not place the power cord close to heating appliances.
It may cause fire and electric shock.
- Do not disassemble or modify unit.
It may cause failure and electric shock.
- Do not damage or use an unspecified power cord.
It may cause fire and electric shock.
If the power cord is damaged, it must be replaced by the manufacturer or an authorized service centre or a similarly qualified person in order to avoid a hazard.
- Do not direct airflow straight into people to avoid possible health hazard.
- Always install a circuit breaker and a dedicated power circuit.
Incorrect installation may cause fire and electric shock.



WARNING

- Do not open the unit during operation.
It may cause electric shock.
- Do not use the power cord near flammable gas or combustibles, such as gasoline, benzene, thinner, etc.
It may cause an explosion or fire.



CAUTION

- When the air filter is to be removed, do not touch the metal parts of the unit.
It may cause an injury.
- When the unit needs cleaning, switch off, and turn off the circuit breaker.
Do not clean unit when power is on as it may cause fire and electric shock, it may cause an injury.
- Stop operation and close the window in storm or hurricane.
Operation with windows open may cause water leak into the room.
- Do not place obstacles around air-inlets or inside of air-outlet.
It may cause failure or accident.
- Do not use strong detergent such as wax or thinner but a soft cloth, or else risk damaging the product.
- Use caution when unpacking and installing. Sharp edges could cause injury.
- Do not clean the air conditioner with water.
Water may enter the unit and degrade the insulation. It may cause an electric shock.
- Do not put a pet or house plant where it will be exposed to direct air flow.
This could injure the pet or plant.
- Hold the plug by the head of the power plug when taking it out.
It may cause electric shock and damage.
- Ensure that the installation is properly secured under risk of the product falling.
- Do not place heavy object on the power cord and ensure that the cord is not compressed.
There is danger of fire or electric shock.
- If water enters the unit, turn the unit off at the power outlet and switch off the circuit breaker. Isolate supply by taking the power-plug out and contact a qualified service technician.
- Ventilate the room well when used together with a stove, etc.
An oxygen shortage may occur.
- Do not use for any other purpose than room comfort.
Do not use this air conditioner to preserve precision devices, food, pets, plants, and art objects. It may cause deterioration.
- Turn off the main power switch when not using the unit for a long time.
- Always insert the filters securely. Clean filter once every two weeks.
Operation without filters may cause failure.
- Do not drink water drained from air conditioner.

i NOTE

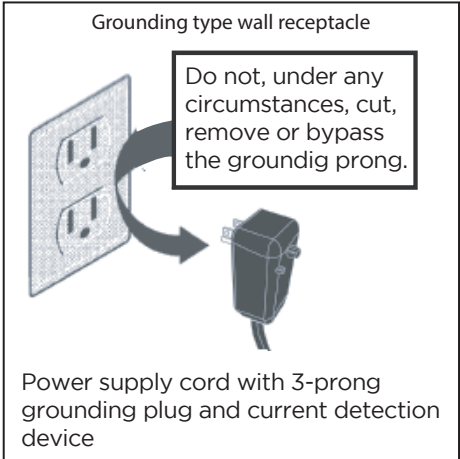
The power supply cord with this air conditioner contains a current detection device designed to reduce the risk of fire.

Please refer to the section Operation of Current Device for details.

In the event that the power supply cord is damaged, it can not be repaired. It must be replaced with a cord from the manufacturer.

! WARNING - For your safety

- Do not store or use gasoline or other flammable vapors and liquids in the vicinity of this or any other appliance.
- Avoid fire hazard or electric shock. Do not use an extension cord or an adaptor plug. Do not remove any prong from the power cord.



! WARNING - Electrical Information

The complete electrical rating of your new room air conditioner is stated on the serial plate. Refer to the rating when checking the electrical requirements.

- Be sure the air conditioner is properly grounded. To minimize shock and fire hazards, proper grounding is important. The power cord is equipped with a three-prong grounding plug for protection against shock hazards.
- Your air conditioner must be used in a properly grounded wall receptacle. If the wall receptacle you intend to use is not adequately grounded or protected by a time delay fuse or circuit breaker, have a qualified electrician install the proper receptacle.
- Ensure the receptacle is accessible after the unit installation.
- Do not run air conditioner without outside protective cover in place. This could result in mechanical damage within the air conditioner.
- Do not use an extension cord or an adaptor plug.

! WARNING - Prevent Accidents

To reduce the risk of fire, electrical shock, or injury to persons when using your air conditioner, follow basic precautions, including the following:

- If the air conditioner is to be installed in a window, you will probably want to clean both sides of the glass first. If the window is a triple-track type with a screen panel included, remove the screen completely before installation.
- Be sure the air conditioner has been securely and correctly installed according to the installation instructions in this manual. Save this manual for possible future use in removing or installing this unit.

Operation of Current Device

The power supply cord contains a current device that senses damage to the power cord. To test your power supply cord as follows:

1. Plug in the air conditioner.
2. The power supply cord will have TWO buttons on the plug head. Press the TEST button, you will notice a click as the RESET button pops out.
3. Press the RESET button, again you will notice a click as the button engages.
4. The power supply cord is now supplying electricity to the unit. (On some products this it also indicated by a light on the plug head.)

NOTES

- Do not use this device to turn the unit on or off.
- Always make sure the RESET button is pushed in for correct operation.
- The power supply must be replaced if it fails reset when either the TEST button is pushed, or it can not be reset. Please contact Customer Service.
- If power supply cord is damaged, it can not be repaired. It MUST be replaced with a new cord - please contact Customer Service.

UNIT SPECIFICATIONS

MODEL: RAC-			WK0511CMU	WK0611CRU	WK0811ESCWU	WK1011ESCWU
Power supply		Ph-V-Hz	1 - 115 - 60	1 - 115 - 60	1 - 115 - 60	1 - 115 - 60
Cooling	Capacity	Btu/h	5000	6000	8000	10000
	EER	Btu/w,h,w/w	11	11	12	12
	CEER	Btu/w,h,w/w	11	11	12	12
	Rated input	W	454	536	666	833
	Rated current	A	4	5	5.9	7.5
	Standby power	W	0.9	0.9	1	1
Moisture removal		L/h	0.6	0.7	1	1,1
Max. current		A	5.5	7.2	8	9.79
Starting current		A	22	26	29	35
Refrigerant charge (R-410A)		g	250	310	380	540
Indoor air flow (Hi/Med/Lo)		CFM	141/113	147/122./101.7	224/207.5/185.2	285/257/232
Indoor noise level (Hi/Med/Lo)		dB(A)	55.8/51.6	56.4/54.1/51.9	64.5/62.4/58.9	59.5/58.5/57
Plug type			5-15P	5-15P	5-15P	5-15P
Control type			Mechanical Control	Remote Control	Remote Control	Remote Control
Operating temperature	Indoor (cooling/heating)	°C	17-32/---	17-32/---	17-32/---	17-32/---
		°F	62-90	62-90	62-90	62-90
	Outdoor (cooling/heating)	°C	18-43/---	18-43/---	18-43/---	18-43/---
		°F	64-109	64-109	64-109	64-109
Application area (Cooling EPA)		sq.ft	100-150	150-250	300-350	400-450
Dimension (W*D*H)		mm	406x392x306	471x413x340	471x456x340	482x563x372
		in	15.98x15.43x12.05	18.5x16.3x13.4	18.5x18.0x13.4	19x22.1x14.6
Packing (W*D*H)		mm	455x437x372	557x475x370	569x524x385	569x623x445
		in	17.9x17.2x14.6	21.9x18.7x14.6	22.4x20.6x15.1	22.4x24.5x17.5
Net/Gross weight		kg	17.6/20	20.5/23.6	23.2/26.4	27.7/32
		lb	38.8/44.1	45.2/52	51.0/58.1	61/70.4
Window Opening	Width (Min/Max)	in	23/36	23/36	23/36	23/36
	Height (Min/Max)	in	13	14	14	15.5

MODEL: RAC-			WK1211ESCWU	WK1511ESCRU	WK1821ESCRU
Power supply		Ph-V-Hz	1 - 115 - 60	1 - 115 - 60	1 - 115 - 60
Cooling	Capacity	Btu/h	12000	15100	18000
	EER	Btu/w,h,w/w	12	11.8	11.8
	CEER	Btu/w,h,w/w	12	11.8	11.8
	Rated input	W	1000	1279	1525/1500
	Rated current	A	8.7	11.5	7.0/7.5
	Standby power	W	1	1.3	1.3
Moisture removal		L/h	1.2	1.5	1.8
Max. current		A	11.7	15	11.5
Starting current		A	49	57	38.5
Refrigerant charge (R-410A)		g	640	750	830
Indoor air flow (Hi/Med/Lo)		CFM	300/270/244	353/308/250	360/320/280
Indoor noise level (Hi/Med/Lo)		dB(A)	60.5/59.3/57.7	56.4/53.7/52.5	60/57/54
Plug type			5-15P	5-15P	5-15P
Control type			Remote Control	Remote Control	Remote Control
Operating temperature	Indoor (cooling/heating)	°C	17-32/---	17-32/---	17-32/---
		°F	62-90	62-90	62-90
	Outdoor (cooling/heating)	°C	18-43/---	18-43/---	18-43/---
		°F	64-109	64-109	64-109
Application area (Cooling EPA)		sq.ft	450-550	550-700	700-1000
Dimension (W*D*H)		mm	482x563x372	600x651x455	600x651x455
		in	19x22.1x14.6	23.6x25.6x17.9	23.6x25.6x17.9
Packing (W*D*H)		mm	569x623x445	660x760x495	660x760x495
		in	22.4x24.5x17.5	26x30x19.5	26x30x19.5
Net/Gross weight		kg	31/35.3	46.4/53.4	52.1/58.5
		lb	68.2/77.7	102.3/117.7	114.9/129
Window Opening	Width (Min/Max)	in	23/36	28/40.5	28/40.5
	Height (Min/Max)	in	15.5	18.5	18.5

OPERATING INSTRUCTIONS

Normal Sounds

RAC-WK05 Models

Sound of Rushing Air

In front of the unit, you may hear the sound of rushing air being moved by the fan.

High Pitched Chatter

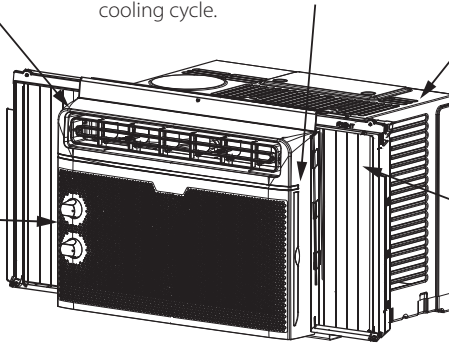
High efficiency compressors may have a high pitched sound during cooling cycle.

Pinging or Switching

Droplets of water hitting condenser during normal operation may cause pinging or switching.

Gurgle/Hiss

Gurgling or hissing noise may be heard due to refrigerant flowing through evaporator during normal operation.



Vibration

Unit may vibrate and make noise because of poor wall or window construction or incorrect installation.

RAC-WK06 / RAC-WK08 / RAC-WK10 / RAC-WK12 / RAC-WK15 / RAC-WK18 Models

Sound of Rushing Air

In front of the unit, you may hear the sound of rushing air being moved by the fan.

High Pitched Chatter

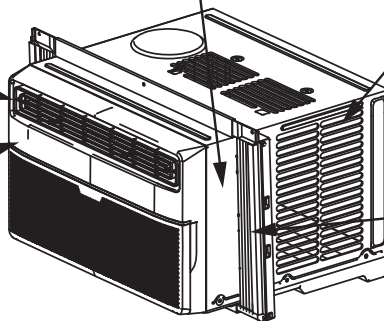
High efficiency compressors may have a high pitched sound during cooling cycle.

Pinging or Switching

Droplets of water hitting condenser during normal operation may cause pinging or switching.

Gurgle/Hiss

Gurgling or hissing noise may be heard due to refrigerant flowing through evaporator during normal operation.



Vibration

Unit may vibrate and make noise because of poor wall or window construction or incorrect installation.

i NOTE

All the pictures in this manual are for illustrative purposes only. The actual shape of the air conditioner you purchased may be slightly different, but its operations and functions are similar.

Air Conditioner Features (general)



WARNING

To reduce the risk of fire, electrical shock, or injury to people or property, read the SAFETY PRECAUTIONS before operating this appliance.

This air conditioner is designed to be operated under conditions as follows:

Cooling Operation	Outdoor temp.:	64 ~ 109°F / 18 ~ 43°C
	Indoor temp.:	62 ~ 90°F / 17 ~ 32°C

NOTES

- The relative humidity of room should be less than 80%. If the unit is used in a condition with a relative humidity over 80%, there will be condensed water on the surface of the unit.
- Performance may be reduced outside of these operating temperatures.

Air Conditioner Features (only RAC-WK05)

NOTE

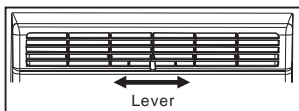
Please always wait 3 minutes when turning unit off then on again, and when changing from cool to fan and back to cool. This prevents compressor from overheating & possible circuit breaker tripping.

To begin operating the air conditioner, follow these steps:

1. Set the thermostat to the highest number (coldest or cooler setting).
2. Set the selector control to the highest COOL setting.
3. Adjust the louver for comfortable air flow (see Air Directional Louvers).
4. Once the room feels cooled, adjust the thermostat to the setting you find most comfortable.
5. Make sure that the air flow inside and outside are not obstructed by anything.

Air Directional Louvers (only RAC-WK05)

Air Directional Louvers

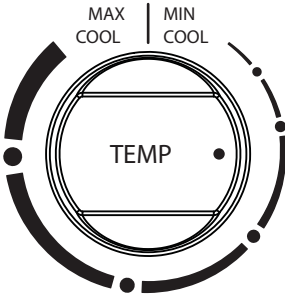


Air Direction

The louvers will allow you to direct the air flow Left or Right throughout the room as needed.

Move the Levers from side to side until the desired Left/Right direction is obtained.

Air Conditioner Features (only RAC-WK05)



i NOTE

The controls featured in this manual are representative of many available models. Your model may offer slightly different features.

COOL MODE

The desired cool setting is selected by rotating the knob to the right to the appropriate location.

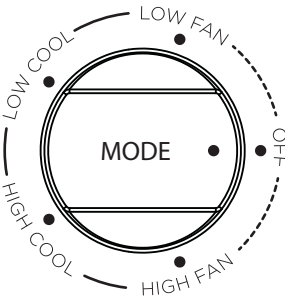
HIGH COOL has maximum cooling effect and airflow.

LOW COOL has minimum cooling effect and airflow.

FAN MODE

Rotate the knob to the left to select your choice of fan speeds for air circulation.

NOTE: When selecting a fan speed, the compressor will not run.



THERMOSTAT

The thermostat is used to set the desired room temperature when the unit is being operated in the **COOL MODE**.

To set the desired room temperature, rotate the thermostat switch to the desired setting. After the set temperature is achieved the thermostat will automatically start and stop the compressor in order to maintain the desired set temperature.

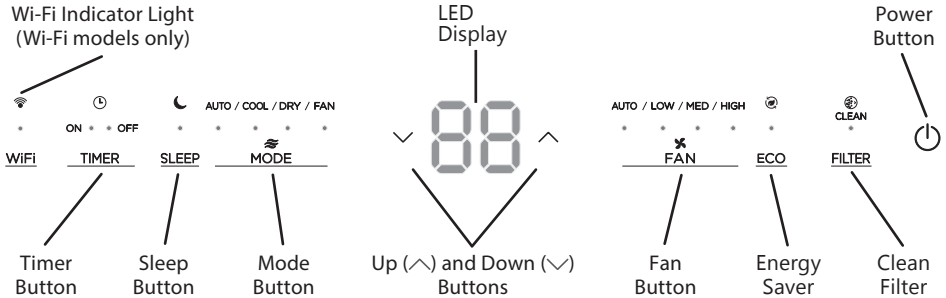
Rotate the thermostat selector clockwise for higher cool settings. Higher cool settings will provide lower room temperature. Rotate the thermostat selector counter clockwise for lower cool settings. Lower cool settings will provide higher room temperature.

Air Conditioner Features (RAC-WK06 / 08 / 10 / 12 / 15 / 18 Models)

Electronic Control Operating Instructions

Before you begin, thoroughly familiarize yourself with the control panel as shown below and all its functions, then follow the symbol for the functions you desire. The unit can be controlled by the unit control alone or with the remote.

Key Pad Features



TO TURN UNIT ON OR OFF:

Press ON/OFF button to turn unit on or off.

NOTE: The unit will initiate automatically the Energy Saver function under Cool, Dry, Auto (only Auto-Cooling and Auto-Fan) modes.

TO CHANGE TEMPERATURE SETTING:

Press UP/DOWN button to change temperature setting.

NOTE: Press or hold either UP (^) or DOWN (v) button until the desired temperature is seen on the display.

This temperature will be automatically maintained anywhere between 62°F(17°C) and 86°F(30°C).

If you want the display to read the actual room temperature, see To Operate on Fan Only section.

TO ADJUST FAN SPEEDS:

Press to select the Fan Speed in four steps - Auto, Low, Med or High. Each time the button is pressed, the fan speed mode is shifted. On Dry mode, the fan speed is controlled at Low automatically.

SLEEP FEATURE:

Press Sleep button to initiate the sleep mode. In this mode the selected temperature will increase by 2°F/ 1(or 2)°C 30 minutes after the mode is selected.

The temperature will then increase by another 2°F/ 1(or 2)°C after an additional 30 minutes. This new temperature will be maintained for 6 hours before it returns to the originally selected temperature. This ends the Sleep

mode and the unit will continue to operate as originally programmed. The Sleep mode program can be cancelled at any time during operation by pressing the Sleep button again.

CHECK FILTER FEATURE:

Press Check filter button to initiate this feature. This feature is a reminder to clean the Air Filter for more efficient operation. The LED (light) will illuminate after 250 hours of operation. To reset after cleaning the filter, press the Check Filter button and the light will go off.

ENERGY SAVER FEATURE:

Press Energy saver button to initiate this function. This function is available on COOL, DRY, AUTO (only AUTO-COOLING and AUTO-FAN) modes. The fan will continue to run for 3 minutes after the compressor shuts off. The fan then cycles on for 2 minutes at 10 minute intervals until the room temperature is above the set temperature, at which time the compressor turns back on and Cooling Starts.

TO SELECT THE OPERATING MODE:

To choose operating mode, press Mode button. Each time you press the button, a mode is selected in a sequence that goes from Auto, Cool, Dry ,heat (cooling only models without)and Fan. The indicator light beside will be illuminated and remained on once the mode is selected.

The unit will initiate automatically the Energy Saver function under Cool, Dry, Auto (only Auto-Cooling and Auto-Fan) modes.

To operate on Auto feature:

- When you set the air conditioner in AUTO mode, it will automatically select cooling, heating (cooling only models without), or fan only operation depending on what temperature you have selected and the room temperature.
- The air conditioner will control room temperature automatically round the temperature point set by you.
- In this mode, the fan speed cannot be adjusted, it starts automatically at a speed according to the room temperature.

To operate on Fan Only:

- Use this function only when cooling is not desired, such as for room air circulation or to exhaust stale air (on some models). (Remember to open the vent during this function, but keep it closed during cooling for maximum cooling efficiency.) You can choose any fan speed you prefer.
- During this function, the display will show the actual room temperature, not the set temperature as in the cooling mode.
- In Fan only mode, the temperature is not adjusted.

To operate on Dry mode:

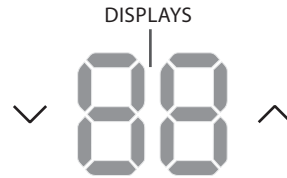
- In this mode, the air conditioner will generally operate in the form of a dehumidifier. Since the conditioned space is a closed or sealed area, some degree of cooling will continue.

TIMER: AUTO START/STOP FEATURE:

- When the unit is on or off, first press Timer button, the TIMER ON indicator light illuminates. It indicates the Auto Start program is initiated.
- When the time of TIMER ON is displayed, press the Timer button again, the TIMER OFF indicator light illuminates. It indicates the Auto Stop program is initiated.
- Press or hold the UP or DOWN button to change the Auto time by 0.5 hour increments, up to 10 hours, then at 1 hour increments up to 24 hours. The control will count down the time remaining until start.

- The selected time will register in 5 seconds, and the system will automatically revert back to display the previous temperature setting or room temperature when the unit is on. (when the unit is off, there is no display.)
- Turning the unit ON or OFF at any time or adjusting the timer setting to 0.0 will cancel the Auto Start/Stop timed program.

Displays



DISPLAYS:

Shows the set temperature in °C or °F and the Auto-timer settings. While on Fan only mode, it shows the room temperature.

Error codes:

AS - Room temperature sensor error - Unplug the unit and plug it back in. If error repeats, call for service.

NOTE: In Fan only mode, it will display "LO" or "HI".

- - Evaporator temperature sensor error - Unplug the unit and plug it back in. If error repeats, call for service.

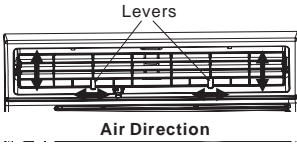
NOTE: "●" is displayed as shown in the left picture.

HS - Electric heating sensor error - Unplug the unit and plug it back in. If error repeats, call for service.

NOTE

If the unit breaks off unexpectedly due to the power cut, it will restart with the previous function setting automatically when the power resumes.

Air Directional Louvers



The louvers will allow you to direct the air flow Up or Down on some models) and Left or Right throughout the room as needed. Pivot horizontal louvers until the desired Up/Down direction is obtained.

Move the Levers from side to side until the desired Left/Right direction is obtained.

Additional Things You Should Know

Now that you have mastered the operating procedure, here are more features in your control that you should become familiar with.

- The Cool circuit has an automatic 3 minute time delayed start if the unit is turned off and on quickly. This prevents overheating of the compressor and possible circuit breaker tripping. The fan will continue to run during this time.
- The control is capable of displaying temperature in degrees Fahrenheit or degrees Celsius. To convert from one to the other, press and hold the left (-) or right (+) Temp/Timer buttons at the same time, for 3 seconds.

Fresh Air Vent Control (for models above 10000 BTU/h)

The Fresh Air Vent allows the air conditioner to:

1. Recirculate inside air - CLOSE (See Fig. A)
2. Draw fresh air into the room - FRESH AIR (see Fig. B)
3. Exchange air from the room and draws fresh air into the room - VENT (see Fig. C)

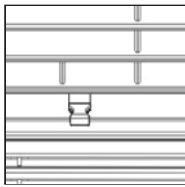


Fig. A  CLOSE

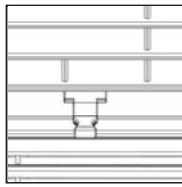


Fig. B  FRESH AIR,

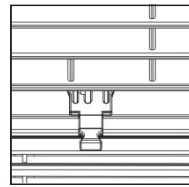


Fig. C  VENT

INSTALLATION INSTRUCTIONS

! WARNING - Before You Begin

Read these instructions completely and carefully.

- **IMPORTANT** - Save these instructions for local inspector's use.
- **IMPORTANT** - Observe all governing codes and ordinances.
- **Note to Installer** - Be sure to leave these instructions with the consumer.
- **Note to Consumer** - Keep these instructions for future reference.
- **Skill level** - Installation of this appliance requires basic mechanical skills.
- **Completion time** - Approximately 1 hour. We recommend that two people install this product.

Proper installation is the responsibility of the installer.

Product failure due to improper installation is not covered under the Warranty.

You **MUST** use all supplied parts and use proper installation procedures as described in these instructions when installing this air conditioner.

! CAUTION

- Do not, under any circumstances, cut or remove the third (ground) prong from the power cord.
- Do not change the plug on the power cord of the air conditioner.
- Aluminum house wiring may present special problems - consult a qualified electrician.
- When handling unit, be careful to avoid cuts from sharp metal edges and aluminum fins on front and rear coils.

i NOTE

Save Carton and these Installation Instructions for future reference. The carton is the best way to store unit during winter, or when not in use.

Window Requirements

Your air conditioner is designed to install in standard double hung windows with opening widths of 23 to 36 inches (584mm to 914mm).

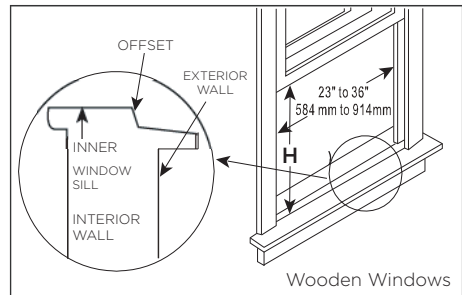
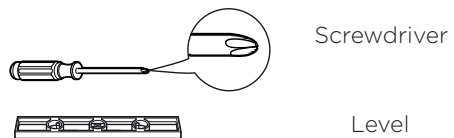


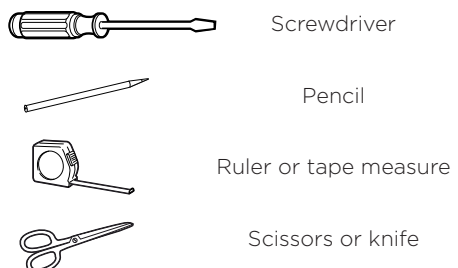
Table 1

Model	5000 BTU/h	6000~8000 BTU/h	10000~12000 BTU/h
H	13" (330mm)	14" (356mm)	15-1/2" (394mm)

Tool You Will Need

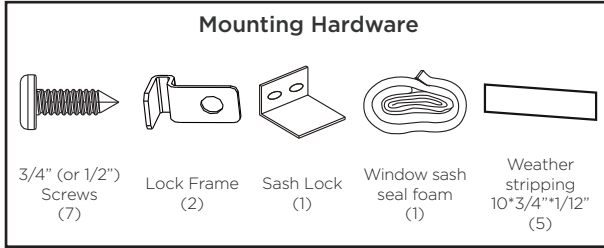


Tool You May Use



1. Prepare the Window

Lower sash must open sufficiently to allow a clear vertical opening (H) of following size (see Table 1). Side louvers and the rear of the AC must have clear air space to allow enough airflow through the condenser, for heat removal. The rear of the unit must be outdoors, not inside a building or garage.

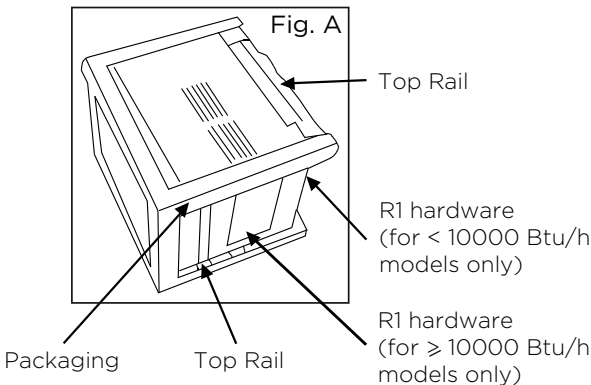
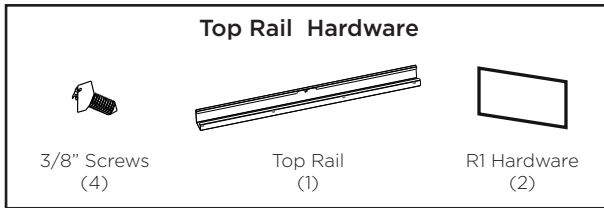


i NOTE

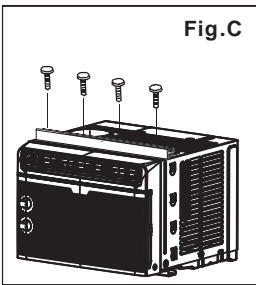
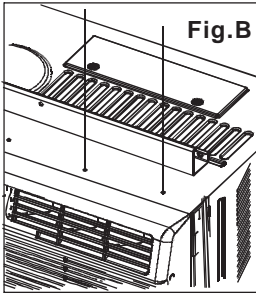
Weather stripping is only for Energy star models.

2. Prepare Air Conditioner

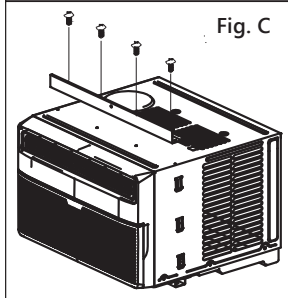
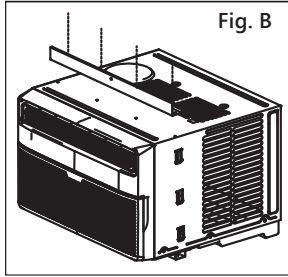
- A: Remove the air conditioner from the carton and place on a flat surface.
- B: Remove top rail and R1 hardware (R1 hardware only for Energy star models) from the packaging material as shown in Fig. A.



RAC-WK05 Models



RAC-WK06/08/10/12/15/18 Models



C. Align the hole in the top rail with those in the top of the unit as shown in Fig. B.

D. Secure the top rail to the unit with the 3/8" Screws as shown in Fig. C.

i NOTE

For safety reasons, all four (4) screws **MUST** be securely fastened.

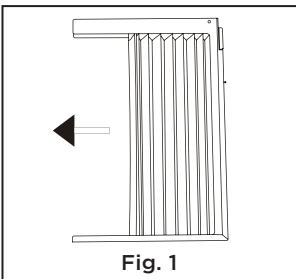
i NOTE

The top rail hardware and the Fig. A, Fig. B and Fig. C are not applicable to the units more than 10000 Btu/h. Before installing unit, the top rail must be assembled on the unit (For < 10000 Btu/h models only).

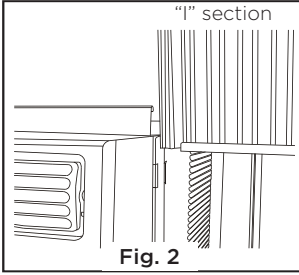
3. Install the Accordion Panels Air Conditioner

i NOTE

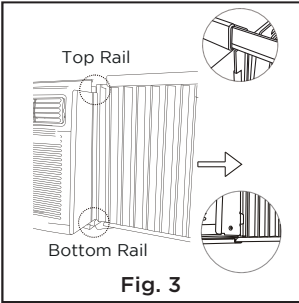
Top rail and Sliding Panels at each side are offset to provide the proper pitch to the rear of (5/16"). This is necessary for proper condensed water utilization and drainage. If you are not using the Side Panels for any reason, this pitch to the rear must be maintained.



A. Place unit on floor, a bench or a table. Hold the Accordion Panel in one hand and gently pull back the center to free the open end. See Fig. 1.

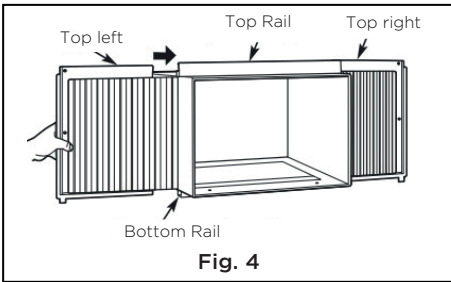


B. Slide the free end "I" section of the panel directly into the cabinet as shown in Fig. 2. Slide the panel down. Be sure to leave enough space to slip the top and bottom of the frame into the rails on the cabinet.



C. Once the panel has been installed on the side of the cabinet, make sure it sits securely inside the frame channel by making slight adjustments.

Slide the top and bottom ends of the frame into the top and bottom rails of the cabinet. Fig. 3.

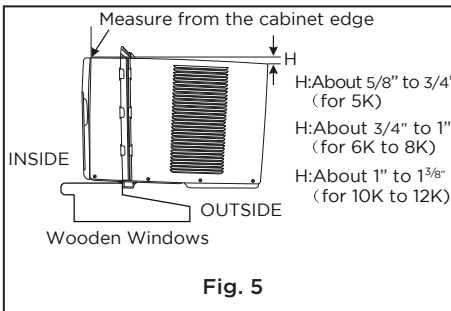


D. Slide the panel all the way in and repeat on the other side.

i NOTE

If storm window blocks AC, see Fig. 11.

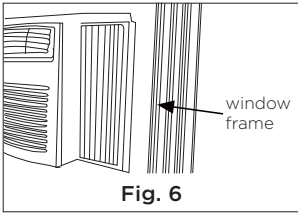
4. Secure the Accordion Panels



A. Keep a firm grip on the air conditioner, carefully place the unit into the window opening so the bottom of the air conditioner frame is against the window sill (Fig. 5). Carefully close the window behind the top rail of the unit.

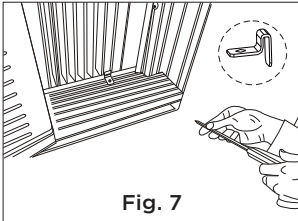
i NOTE

Check that air conditioner is tilted back about H (Fig. 5) (tilted about 3° to 4° downward to the outside). After proper installation, condensate should not drain from the overflow drain hole during normal use, correct the slope otherwise.



B. Extend the side panels out against the window frame (Fig. 6).

5. Install Support Bracket



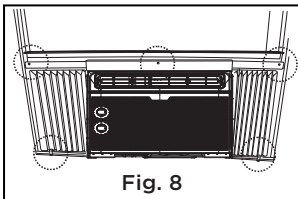
A. Place the frame lock between the frame extensions and the window sill as shown (Fig. 7).

Drive 3/4" (19mm) or 1/2" (12.7mm) locking screws through the frame lock and into the sill.

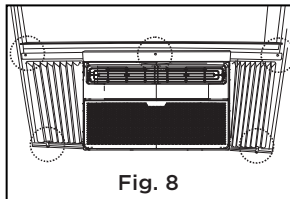
i NOTE

To prevent window sill from splitting, drill 1/8" (3mm) pilot holes before driving screws.

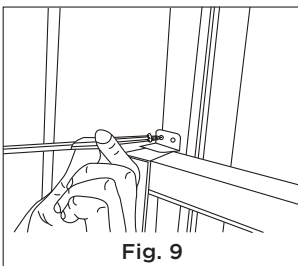
RAC-WK05 Models



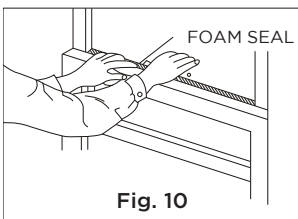
RAC-WK06/08/10/12/15/18 Models



B. Drive 3/4" (19mm) or 1/2" (12.7mm) locking screws through frame holes into window sash (Fig. 8).

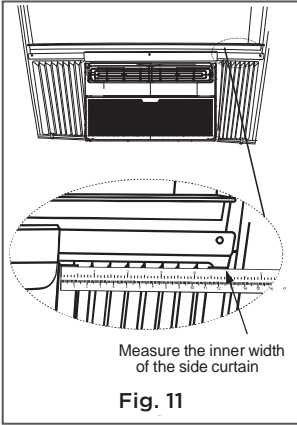


C. To secure lower sash in place, attach right angle sash lock with 3/4" (19mm) or 1/2" (12.7mm) screw as shown (Fig. 9).



D. Cut Window sash seal foam and insert it in the space between the upper and lower sashes (Fig. 10).

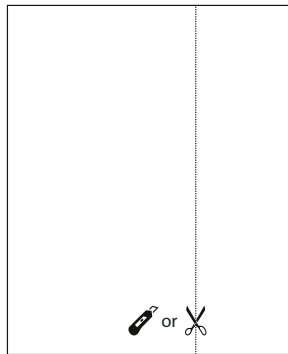
6. Install R1 Hardware (only by applicable to Energy Star models)



In order to minimize air leaks and ensure optimal insulation, it is necessary to install the included R1 hardware to the side curtain. Follow the instructions below.

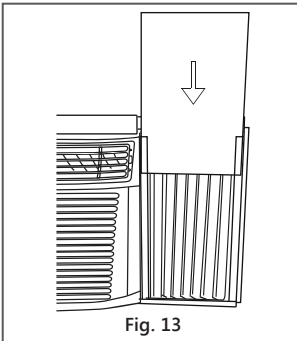
Step 1.

After the unit is installed to the window, measure the inner width of the side curtain as shown (Fig. 11).



Step 2.

Remark a line on the provide R1 insulation panel according to a length 1/8" (3mm) less than the measured width in step 1, then cut the R1 insulation panel along the line (Fig. 12).



Step 3.

Slide the R1 insulation panel into the side curtain, the side with pattern should facing the indoor side. (Fig. 13).

Step 4.

Repeat on the other side.

7. Install Weathers Stripping (only by applicable to Energy Star models)

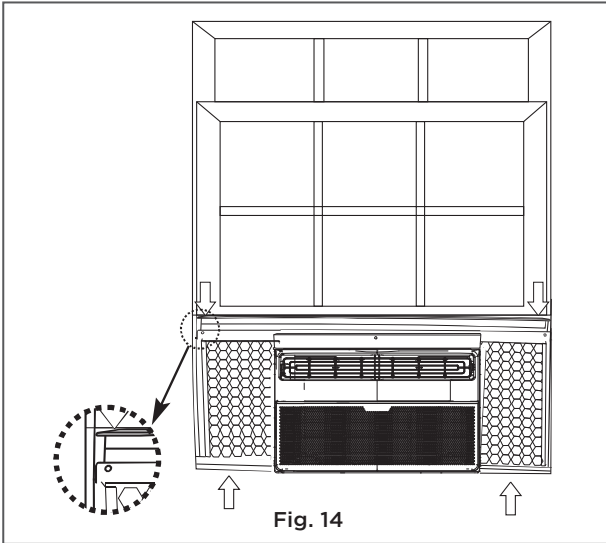


Fig. 14

In order to minimize air leaks between the room air conditioner and the window opening, trim the weather stripping with a proper length, peel off the protective backing and plug any gaps if needed (Fig. 14).

If AC is Blocked by Storm Window

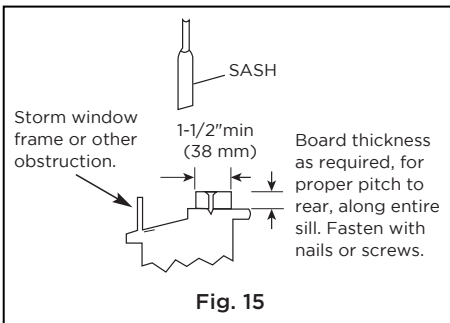


Fig. 15

Add wood as shown in Fig. 15, or remove storm window before air conditioner is installed.

If storm window frame must remain, be sure the drain holes or slots are not caulked or painted shut. Accumulated rain water or condensation must be allowed to drain out.

Removing AC From Window

- Turn AC off, and disconnect power cord.
- Remove sash seal from between windows, and unscrew safety lock.
- Remove screws installed through frame and frame lock.
- Remove the R1 Panel (only Energy Star models)
- Close (slide) side panels into frame.
- Keeping a firm grip on air conditioner, raise sash and carefully remove
- Be carefully not to spill any remaining water while lifting unit from window. Store parts WITH air conditioner.

Installation Instructions (only WK15 / WK18 models)



WARNING - Before You Begin

Read these instructions completely and carefully.

- **IMPORTANT** - Save these instructions for local inspector's use.
- **IMPORTANT** - Observe all governing codes and ordinances.
- Note to Installer - Be sure to leave these instructions with the consumer.
- Note to Consumer - Keep these instructions for future reference.
- Skill level - Installation of this appliance requires basic mechanical skills.
- Completion time - Approximately 1 hour. We recommend that two people install this product.

Proper installation is the responsibility of the installer.

Product failure due to improper installation is not covered under the Warranty.

You **MUST** use all supplied parts and use proper installation procedures as described in these instructions when installing this air conditioner.



CAUTION

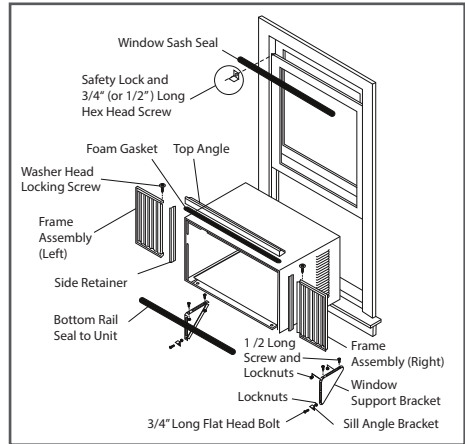
- Do not, under any circumstances, cut or remove the third (ground) prong from the power cord.
- Do not change the plug on the power cord of the air conditioner.
- Aluminum house wiring may present special problems - consult a qualified electrician.
- When handling unit, be careful to avoid cuts from sharp metal edges and aluminum fins on front and rear coils.



NOTE

Save Carton and these Installation Instructions for future reference. The carton is the best way to store unit during winter, or when not in use.

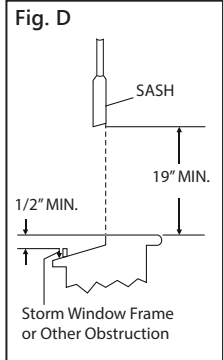
Preliminary Instructions



Do the following before starting to install unit. See illustrations below. Check dimensions of your unit to determine model type:

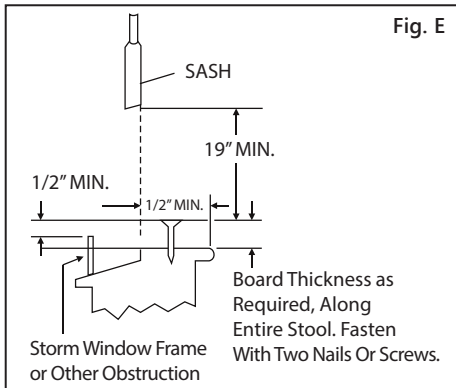
Unit Height:	18-5/8"	17-5/8"
Unit Width:	26-1/2"	23-5/8"
Min. Window Opening:	19-1/2"	18-1/2"
Min. Window Width:	31"	28"
Max. Window Width:	42"	40-1/2"

1. Check window opening size - the mounting parts furnished with this air conditioner are made to install in a wooden sill double-hung window. The standard parts are for window dimensions listed above. Open sash to a minimum of 19" (483 mm). See Fig. D.



Preliminary Instructions (cont.)

2. Check condition of window - all wood parts of window must be in good shape and able to firmly hold the needed screws. If not, make repairs before installing unit.
3. Check your storm windows - if your storm window frame does not allow the clearance required, correct by adding a piece of wood as shown in Fig. E, or by removing storm window while room air conditioner is being installed.



4. Check for anything that could block airflow - check area outside of window for things such as shrubs, trees, or awnings. Inside, be sure furniture, drapes, or blinds will not stop proper airflow.
5. Check the available electrical service - Power supply must be the same as that shown on the unit serial nameplate. Power cord is 48 in long. Be sure you have an outlet near.
6. Carefully unpack air conditioner - Remove all packing material. Protect floor or carpet from damage. Two people should be used to move and install unit.

Hardware (Packed with the unit)

	7/16 in Locking screw and Flat washer for window panels	2 ea.
	3/4 in (or 1/2 in) Long Hex-head Screw	7
	Safety Lock	1
	1/2 in Long screw and Locknut	4 ea.
	3/4 in Long Flat Head Bolt and Locknut	2 ea.
	Sill Angle Bracket	2
	Long hex-head locking screw for top angle, side retainer 5/16 in Long	10
	Foam insert	2
	Window sash seal foam	1
	R1 hardware	2
	Weather stripping (10 in *3/4 *1/12 in)	5

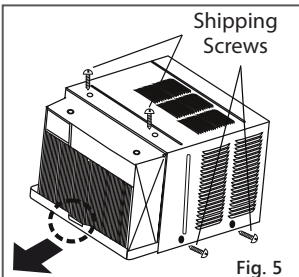
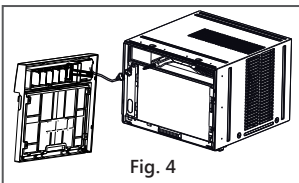
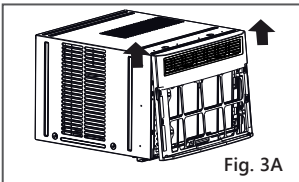
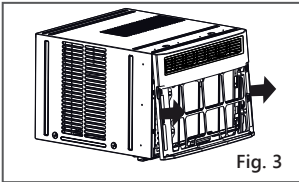
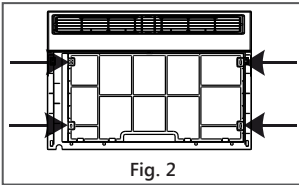
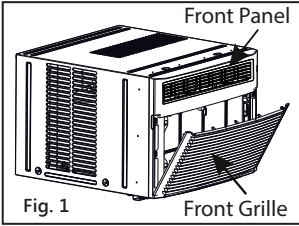
NOTE

R1 hardware and Weather stripping is only for Energy star models.

Tools Required

A large flat blade screwdriver; Tape measure; Adjustable wrench or pliers; Pencil; Level; Socket wrenches; Phillips Screwdriver

A. Window Mounting



1 Remove Chassis

1. Pull down front grille and remove filter. (See Fig. 1).
2. Lift front grille upwards and place to one side.
3. Locate the four front screws and remove. These screws will be needed to re-install the front panel (see Fig. 2).
4. Push metal cabinet side to release plastic tabs on each side of front panel (see Fig. 3).
5. Gently lift front panel off unit (see Fig. 3A).
6. Disconnect the connector plug of the display panel from the unit and place front panel to one side (see Fig. 4).
7. Remove shipping screws from top of unit and also on the side by the base if installed (see Fig. 5).
8. Hold the cabinet while pulling on the base pan handle, and carefully remove the unit.

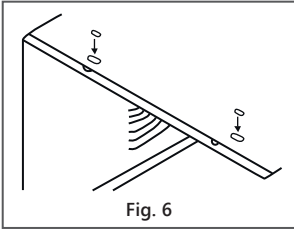


Fig. 6

9. Add two foam inserts to holes in top of cabinet where shipping screws were removed from (see Fig. 6).

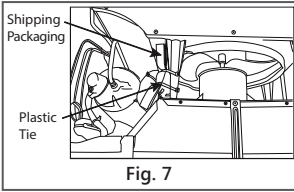


Fig. 7

10. Your unit may come with internal packaging. This packaging must be removed prior to installing the air conditioner back into the cabinet. (see Fig. 7).

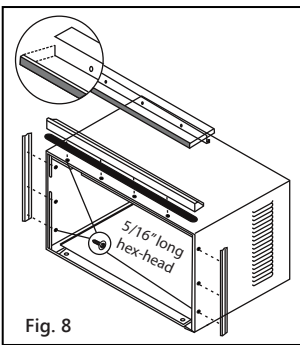


Fig. 8

2 Install Top Angle and Side Bracket

1. Attach foam gasket to top angle above holes as shown in Fig. 6.
2. Install top angle and side retainers to cabinet as shown in Fig. 8 (10 screws).

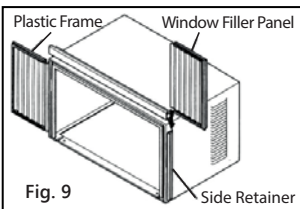


Fig. 9

3 Assemble Window Filler Panels

1. Place cabinet on floor, a bench, or a table.
2. Slide I section of window filler panel into side retainer on the side of the cabinet (see Fig. 9 & Fig. 10). Do both sides.
3. Insert top and bottom legs of window filler panel frame into channel in the top angle and bottom rail. Do both sides.

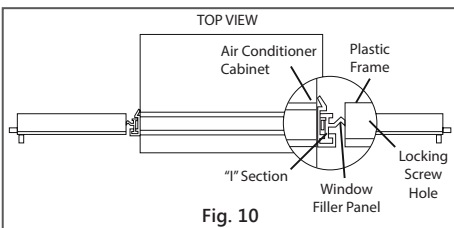
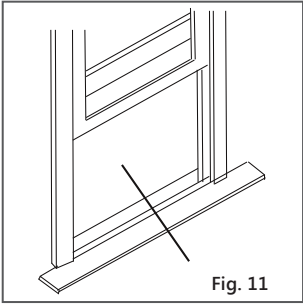


Fig. 10

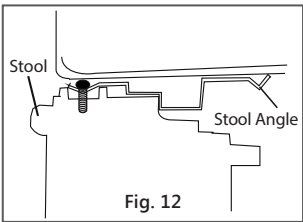
4. Insert washer head locking 7/16" screws (2) into holes in top leg of filler panel frame (see step 6). Do not totally tighten.

Allow leg to slide freely. Screws will be tightened after section 6.

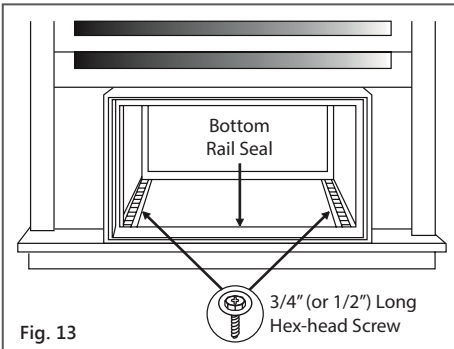


4 Place Cabinet in

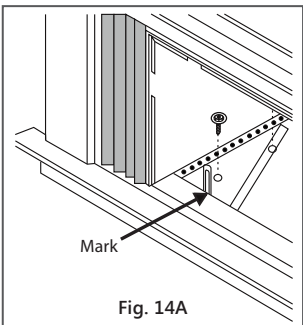
1. Open window and mark center of window stool as shown (Fig. 11).



2. Place cabinet in window with bottom stool angle firmly seated over window stool as shown. Bring window down temporarily behind top angle to hold cabinet in place (Fig. 12).
3. Shift cabinet left or right as needed to line up center of cabinet on center line marked on stool.
4. Fasten cabinet to window stool with 2 screws into holes (You may wish to pre-drill pilot holes).



5. Add bottom rail seal over screws to window stool. (Fig. 13).



5 Install Support Bracket

1. Hold each support bracket flush against outside of sill, and tight to bottom of cabinet as shown in Fig. 14A. Mark brackets at top level of sill, and remove.

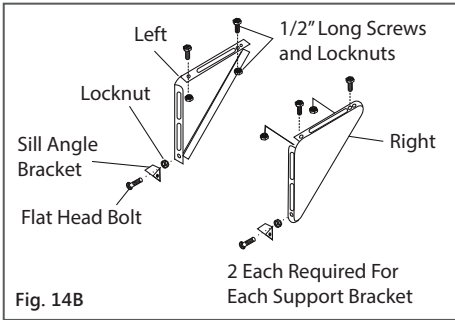


Fig. 14B

- Assemble sill angle bracket to support brackets at the marked position (Fig. 15B). Hand tighten, but allow for any changes later.

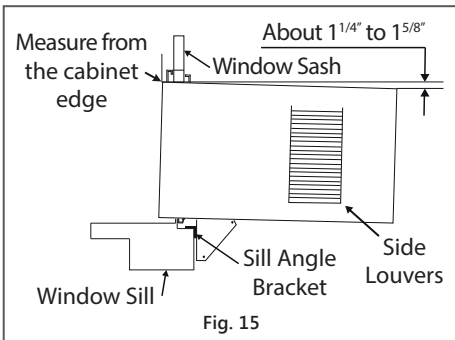


Fig. 15

NOTE

Check that air conditioner is tilted back about 1-1/4" to 1-5/8" (tilted about 3° to 4° downward to the outside). After proper installation, condensate should not drain from the overflow drain hole during normal use, correct the slope otherwise (Fig.15).

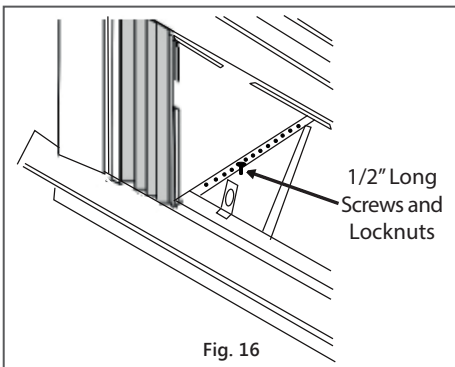


Fig. 16

- Install support brackets (with sill angle brackets attached) to correct hole in bottom of cabinet as shown in Fig. 16.
- Tighten all 6 bolts securely.

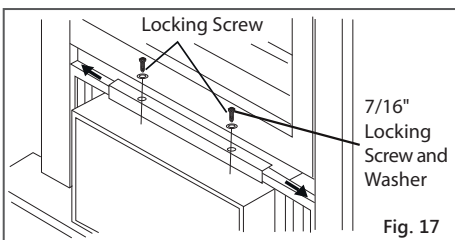
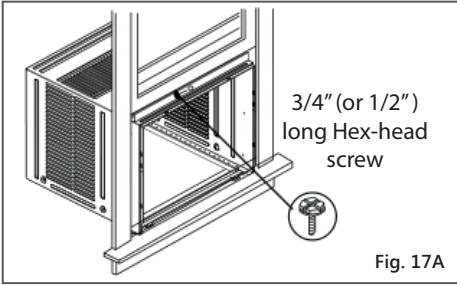


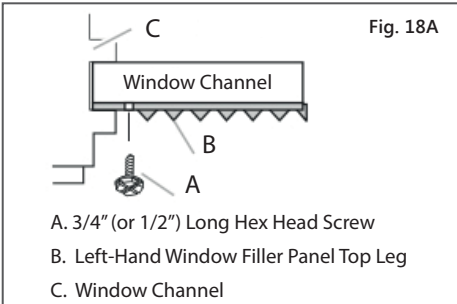
Fig. 17

6 Extend Window Filler Panels

- Carefully raise window to expose filler panel locking screws. Loosen screws so filler panels slide easily.
- Extend panels to fill window opening completely. Tighten locking screws on top (Fig. 17).
- Close window behind top angle.

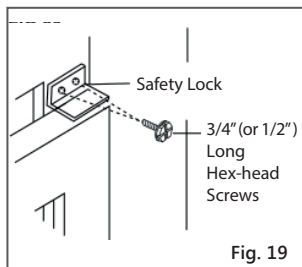
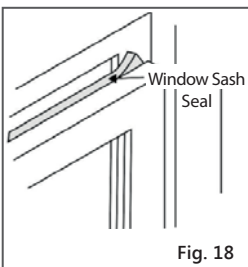
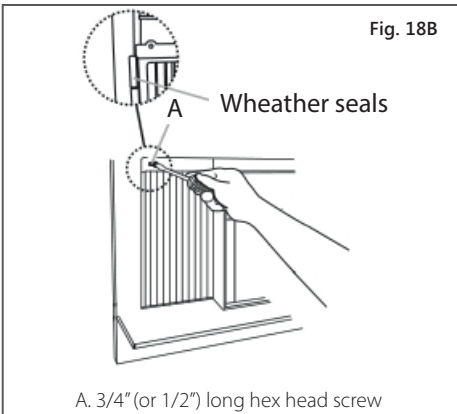


- Attach the top angle to window frame: Use a 3/32 drill bit to drill one hole through the hole in the middle of top angle into the window frame, and drive one 3/4" (or 1/2") HEX-HEAD locking screw through hole in the middle of top angle into the window frame as shown (Fig. 17A).



7 Attach Window Filler Panels to Window Frame

- Extend the window filler panels out against the window frame.
- Use a 1/8 in drill bit to drill a starter hole through the hole in the top leg of each window filler panel and into the window sash (Fig. 18A and Fig. 18B). Connect with one 3/4" (or 1/2") long hex head screw.

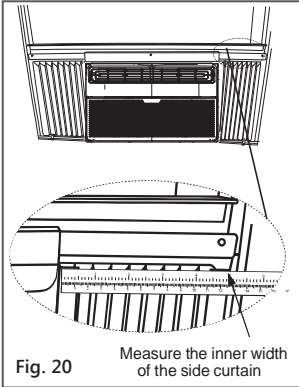


8 Install Window Sash Seal and Safety Lock

- Trim sash seal to fit window width. Insert into space between upper and lower sashes (Fig. 18).
- Attach right angle safety lock (Fig. 19).

9 Install Chassis into Cabinet and Install Front to Unit

1. Lift air conditioner and carefully slide into cabinet leaving 6 in protruding.
2. DO NOT push on controls or finned coils.
3. Be sure chassis is firmly seated towards rear of cabinet.
4. Installation of front is the reverse of removal outlined in Section 1.



10 INSTALL R1 HARDWARE (only be applicable to Energy star models)

In order to minimize air leaks and ensure optimal insulation, it is necessary to install the included R1 hardware to the side curtain. Follow the instructions below.

Step 1. After the unit is installed to the window, measure the inner width of the side curtain as shown (Fig. 20).

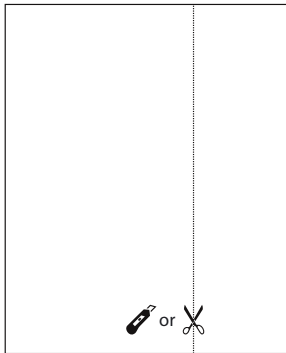


Fig. 21

Step 2. Remark a line on the provide R1 insulation panel according to a length $1/8"$ (3 mm) less than the measured width in step 1, then cut the R1 insulation panel along the line (Fig. 21).

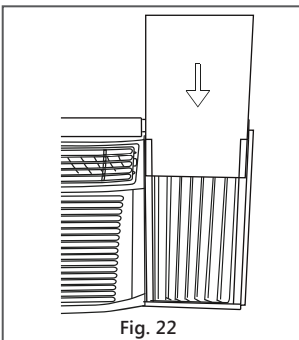
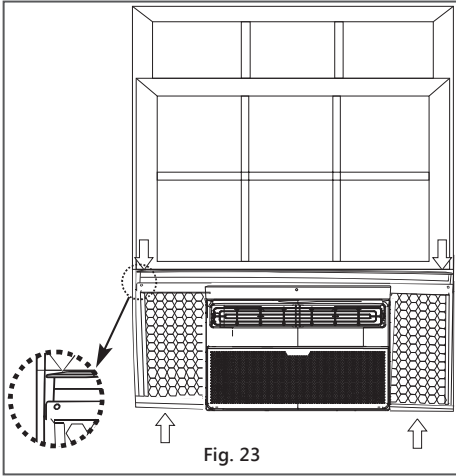


Fig. 22

Step 3. Slide the R1 insulation panel into the side curtain, the side with pattern should facing the indoor side. (Fig. 22).

Step 4. Repeat on the other side.



11 INSTALL WEATHER STRIPPING (only be applicable to Energy star models)

In order to minimize air leaks between the room air conditioner and the window opening, trim the weather stripping with a proper length, peel off the protective backing and plug any gaps if needed (Fig. 23).

B. Thru-the Wall Installation

i NOTE

Consult local building codes prior to installation, or a qualified carpenter.

1 Select Wall Location

The air conditioner has a slide-out chassis, so that it can be installed through an outside wall as specified below:

Max. Wall thickness: 12 in or 10 in

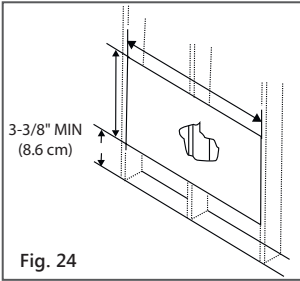
IMPORTANT: Side louvers must never be blocked.

i NOTE

All parts needed for Thru-The-Wall Installation are provided, except a wood frame, shims, and 10 wood screws (#10-1 in long minimum).

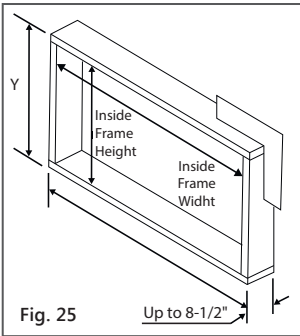
Select a wall surface that:

1. Does not support major structural loads such as the frame construction at ends of windows, and under truss-bearing points, etc.
2. Does not have plumbing or wiring inside.
3. Is near existing electrical outlets, or where another outlet can be installed.
4. Faces, and is not blocked to the area to be cooled.
5. Allows unblocked airflow from rear sides and end (outside) of installed air conditioner.



2 Prepare Wall

1. Prepare wall in frame construction (including brick and stucco veneer). Working from inside the room, find wall stud nearest the center of area where air conditioner will be installed (by sounding wall, or by magnetically finding nails).
2. Cut or knock out a hole on each side of center stud.
3. Measure between inside edges of every other stud as shown in Fig. 24.



Carefully measure and cut an opening with the following dimensions depending on your model.

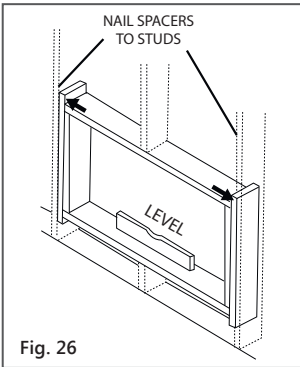
See Fig. 24 and Fig. 25.

WIDTH X = inside model width plus twice the thickness of framing material used.

HEIGHT Y = inside model height plus twice the thickness of framing material used.

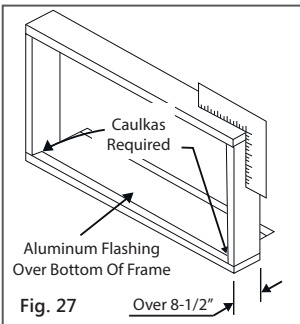
Inside Frame Height: 18-7/8 in (47.9 cm) or 18 in (45.7 cm)

Inside Frame Width: 26-3/4 in (67.9 cm) or 23-7/8 in (60.6 cm)



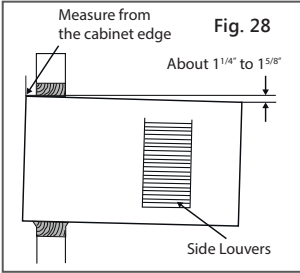
4. Build a wooden frame with the INSIDE dimensions of your model listed above. (Measure twice remember). Frame depth should be the same as wall thickness. Fill in the space from the opening to the studs with wood spacers, as shown.

5. Nail frame to spacers to spacers with front flush with drywall.



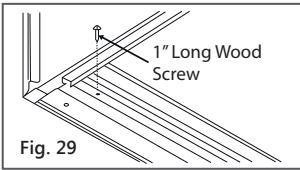
i NOTE

If wall thickness is 8-1/2 in or more, add aluminum flashing over bottom of frame opening to assure no water can enter area between inner and outer wall.



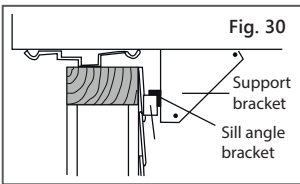
3 Prepare and Install Cabinet

1. Slide chassis from cabinet. Refer back to Step one of Window Mounting.
2. Place cabinet into opening with bottom rail resting firmly on bottom board of wooden frame.
3. Position cabinet to achieve proper slope for water removal. (See Fig. 28).
4. Secure bottom rail to wood frame with two large wood screws 1" (2.5 cm) long using the two holes in the bottom of the channel resting on frame. (See Fig. 29).



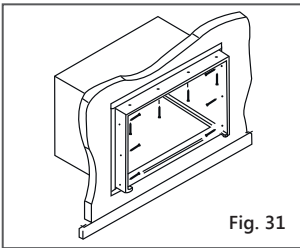
i NOTE

Check that air conditioner is tilted back about 1-1/4" to 1-5/8" (tilted about 3° to 4° downward to the outside). After proper installation, condensate should not drain from the overflow drain hole during normal use, correct the slope otherwise (Fig. 14).



Refer to Step 5 of Window Mounting for assembly of support brackets. A wooden strip nailed to the outside wall should be used in conjunction with sill support angle brackets.

5. Screw or nail cabinet wooden frame using shims if frame is oversized, to eliminate distortion. See Fig. 31. Remember to maintain proper slop as described in Step 3.
6. Install chassis into cabinet by following all steps in Step 8 of Window Mounting.



OPTIONAL: Caulking and installation of trim on interior wall may be done. You can buy wood from your local lumber or hardware supply. On the outside, caulk openings around top and sides of cabinet, and all sides of wood sleeve to the opening.

NOTE: See Step 5, Item 3 of Window Mounting Instructions for bottom rail seal location.

C. Masonry Construction

1. Cut or build a wall opening in the masonry wall similar to the frame construction (refer to Step 2 of Thru-the-wall Installation for a wall thickness greater than 8-1/2").
2. Secure cabinet in place using masonry nails, or the right masonry anchor screws. (Another way to do this is to build an in-between frame of 2x4s as shown in the Step 2 Prepare Wall illustrations-but make it double framed on either side, and install between masonry wall opening and cabinet. Frame must be securely anchored to masonry wall opening). This way gives very good louver clearance on either side of cabinet.
3. Install a lintel to support masonry wall above cabinet. Existing holes in cabinet can be used and/or additional holes can be drilled to fasten cabinet at various positions. Be sure that side louver clearance is in accordance with Step 1 above.
4. Install exterior cabinet support brackets as shown in Step 2 of Thru-the-wall installation. Caulk or flash if needed, to provide a weathertight seal around top and sides of cabinet.
5. To complete installation, apply wood trim molding around room side projection of cabinet.

CARE AND CLEANING

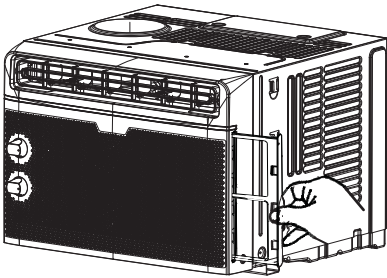


CAUTION

Clean your air conditioner occasionally to keep it looking new. Be sure to unplug the unit before cleaning to prevent shock or fire hazards.

Air Filter Cleaning

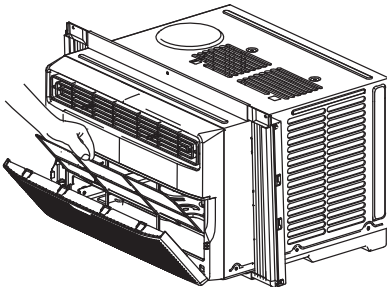
RAC-WK05 Models



The air filter should be checked at least once a month to see if cleaning is necessary. Trapped particles in the filter can build up and cause an accumulation of frost on the cooling coils.

- Remove the filter by sliding out from the right-hand side. (only RAC-WK0511CMU)
- Push the vent handle to the Vent Closed position (where applicable).
- Open the front panel.
- Take the filter by the center and pull up and out.
- Wash the filter using liquid dishwashing detergent and warm water. Rinse filter thoroughly.
- Gently shake excess water from the filter. Be sure the filter is thoroughly dry before replacing.
- Or, instead of washing you may vacuum the filter clean.

RAC-WK06 / 08 / 10 / 12 / 15 / 18 Models



i NOTE

Never use hot water over 40°C (104°F) to clean the air filter. Never attempt to operate the unit without the air filter.

Cabinet Cleaning

- Be sure to unplug the air conditioner to prevent shock or fire hazard. The cabinet and front may be dusted with an oil-free cloth or washed with a cloth dampened in a solution of warm water and mild liquid dishwashing detergent. Rinse thoroughly and wipe dry.
- Never use harsh cleaners, wax or polish on the cabinet front.
- Be sure to wring excess water from the cloth before wiping around the controls. Excess water in or around the controls may cause damage to the air conditioner.
- Plug in air conditioner.

Winter Storage

If you plan to store the air conditioner during the winter, remove it carefully from the window according to the installation instructions. Cover it with plastic or return it to the original carton.

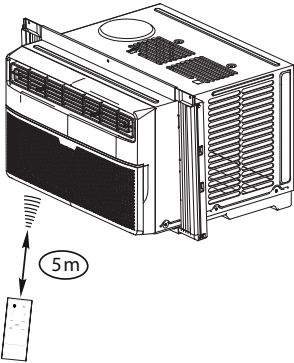
TROUBLESHOOTING TIPS

Before calling for service, review this list. It may save you time and expense. This list includes common occurrences that are not the result of defective workmanship or materials in this appliance.

Problem	Solution
Air conditioner does not start	Wall plug disconnected. Push plug firmly into wall outlet.
	House fuse blown or circuit breaker tripped. Replace fuse with time delay type or reset circuit breaker.
	Plug current device tripped. Press the RESET button.
	Power is OFF. Turn power ON and set to desired setting.
Air from unit does not feel cool enough	Unit turned off and then on quickly. Turn unit off and wait 3 minutes before restarting.
	Room temperature below 17°C (62°F). Cooling may not occur until room temperature rises above 17°C (62°F).
	Temperature sensing element touching cold coil, located behind air filter. Straighten tube away from coil.
	Reset to a lower temperature.
Air conditioner cooling, but room is too warm- ice forming on cooling coil behind decorative front.	Compressor shut-off by changing modes. Wait approximately 3 minutes and listen for compressor to restart when set in the COOL mode.
	Outdoor temperature below 18°C (64°F). To defrost the coil, set FAN ONLY mode.
	Air filter may be dirty. Clean filter. Refer to Care and Cleaning section. To defrost, set to FAN ONLY mode.
Air conditioner cooling, but room is too warm- NO ice forming on cooling coil behind decorative front	Thermostat set too cold for night-time cooling. To defrost the coil, set to FAN ONLY mode. Then, set temperature to a higher setting.
	Air filter may be dirty. Clean filter. Refer to Care and Cleaning section. To defrost, set to FAN ONLY mode.
	Temperature is set too High, set temperature to a lower setting.
	Air directional louvers positioned improperly. Position louvers for better air distribution.
Air conditioner cooling, but room is too warm- NO ice forming on cooling coil behind decorative front	Front of units is blocked by drapes, blinds, furniture, etc. - restricts air distribution. Clear blockage in front of unit.
	Doors, windows, registers, etc. Open- cold air escapes. Close doors, windows, registers.
	Unit recently turned on in hot room. Allow additional time to remove "stored heat" from walls, ceiling, floor and furniture.
Air conditioner turns on and off rapidly	Dirty air filter- air restricted. Clean air filter.
	Outside temperature extremely hot. Set FAN speed to a higher setting to bring air past cooling coils more frequently.
Noise when unit is cooling	Air movement sound. This is normal . If too loud, set to a slower FAN setting.
	Window vibration - poor installation. Refer to installation instructions or check with installer.
Water dripping INSIDE when unit is cooling	Improper installation. Tilt air conditioner slightly to the outside to allow water drainage. Refer to installation instructions - check with installer."
Water dripping OUTSIDE when unit is cooling	Unit removing large quantity of moisture from humid room. This is normal during excessively humid days.
Remote sensing deactivating prematurely (some models)	Remote control not located within range. Place remote control within 20 feet & 180°, radius of the front of the unit.
	Remote control signal obstructed. Remove obstruction.
Room too cold	Set temperature too low. Increase set temperature.

REMOTE CONTROL OPERATING INSTRUCTIONS

Handling the Remote Controller



Location of the remote controller

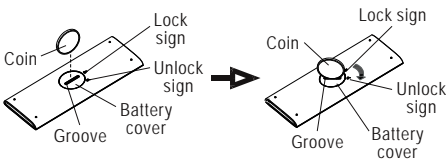
- Use the remote controller within a distance of 5 meters from the appliance, pointing it towards the receiver. Reception is confirmed by a beep.

CAUTIONS

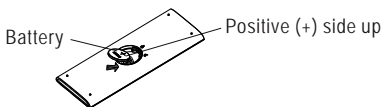
- The air conditioner will not operate if curtains, doors or other materials block the signals from the remote controller to the unit.
- Prevent any liquid from falling into the remote controller. Do not expose the remote controller to direct sunlight or heat.
- If the infrared signal receiver on the indoor unit is exposed to direct sunlight, the air conditioner may not function properly. Use curtains to prevent the sunlight from falling on the receiver.
- If other electrical appliances react to the remote controller, either move these appliances or consult your local dealer.

Installation Instructions of Battery

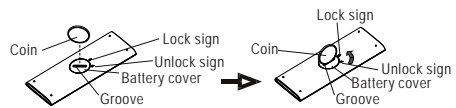
Step 1: Insert a coin vertically in the groove on the battery cover, clockwise rotation of 45 degrees, make sure that the groove is aligned with the “unlock” sign as shown below and remove the battery cover.



Step 2: Install battery inside the remote controller, the positive (+) side up.



Step 3: Install the battery cover, make sure the battery cover groove is aligned with the “unlock” sign. Insert a coin vertically in the groove and press it gently, then counter clockwise rotation of 45 degrees, make sure the groove is aligned with the “lock” sign as shown below.



WARNING

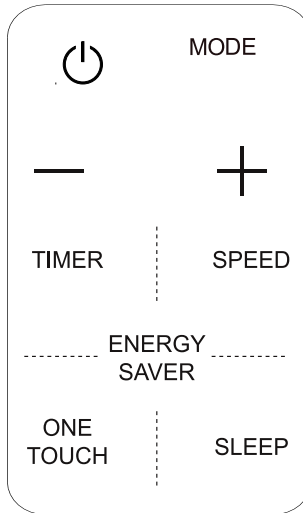
1. Battery must be disposed of properly. Do not short circuit or dispose of in the fire.
2. Keep batteries out of the reach of children.
3. Caution for ingestion.
4. Non-rechargeable batteries are not to be recharged.
5. Exhausted batteries are to be removed from the product.

Remote Control Specifications

Model	RG15A(B)/E
Rated Voltage	3.0V (Lithium battery CR2025)
Lowest Voltage of CPU Emitting Signal	2.4 V
Signal Receiving Range	5 m
Environment	-5 °C 60 °C (23°F~140°F)

NOTE

- Buttons design is based on typical model and might be slightly different from the actual one you purchased, the actual shape shall prevail.
- All the functions described are accomplished by the unit, if the unit has no this feature, there is no corresponding operation happened when press the relative button on the remote controller.
- When there are wide differences between “Remote Controller Illustration” and USERS MANUAL on function description, the description on USERS MANUAL shall prevail.



RG15A(B)/E

Function Buttons

ON/OFF button

Operation starts when this button is pressed and stops when the button is pressed again.

NOTE: If the unit has ENERGY SAVER function, it will initiate automatically the Energy Saver function under Cool, Dry, and Auto (only Auto-Cooling and Auto-Fan) modes.

TEMP DOWN button

Push this button to decrease the indoor temperature setting.

TIMER button

Push this button to activate the "Auto Start" or "Auto Stop" program.

ONE TOUCH button

Push this button, the system will automatically shift to COOL operation with auto fan speed, the setting temperature is 26°C/80°F. And the timer setting program will be cancelled (on some models).

MODE button

Press this button to select the desired operation mode.

TEMP UP button

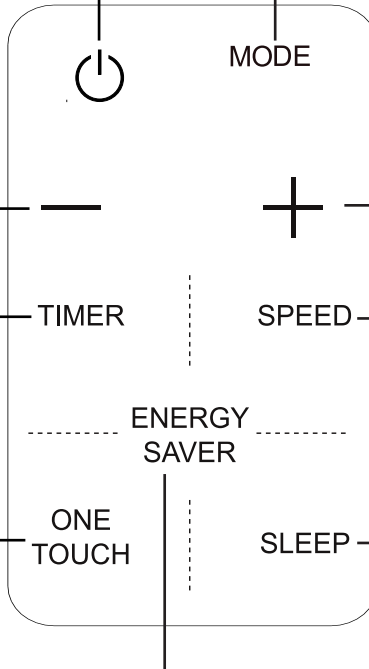
Push this button to increase the temperature setting.

FAN button

Used to select the desired fan speed.

SLEEP button

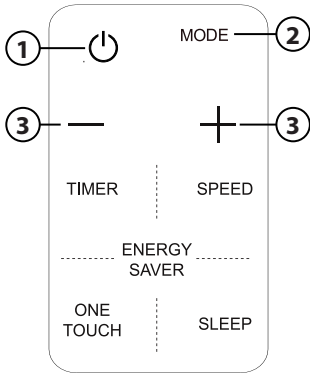
Press this button to activate the Sleep mode. This function is available on COOL, HEAT or AUTO mode only and maintain the most comfortable temperature for you and save energy. For the detail, see "sleep operation" in "USER'S MANUAL".



ENERGY SAVER button

Press this button to activate the Energy saving mode. Press it again to stop the function (on some models).

How to Use the Buttons



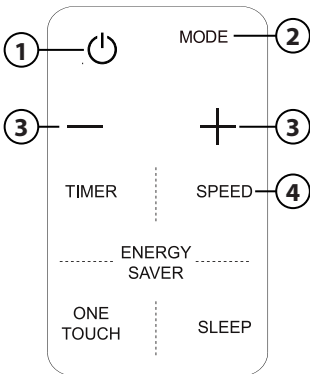
Auto operation

Ensure the unit is plugged in and power is available.

1. Press the ON/OFF button to start the air conditioner.
2. Press the MODE button to select Auto.
3. Press the TEMP UP/DOWN button to set the desired temperature.

i NOTES

1. In the Auto mode, the air conditioner can logically choose the mode of Cooling, Fan, Heating and by sensing the difference between the actual ambient room temperature and the set temperature on the remote controller.
2. In the Auto mode, you can not switch the fan speed. It has already been automatically controlled.
3. If the Auto mode is not comfortable for you, the desired mode can be selected manually.



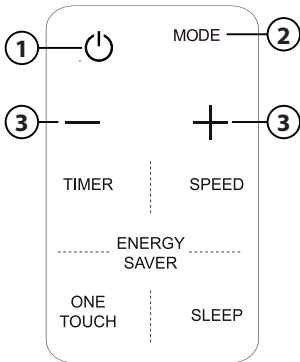
Cooling /Heating/Fan operation

Ensure the unit is plugged in and power is available.

1. Press the ON/OFF button to start the air conditioner.
2. Press the MODE button to select Cool, Heat (cooling & heating models only) or Fan mode.
3. Press the TEMP UP/DOWN button to set the desired temperature.
4. Press the FAN button to select the fan speed.

i NOTE

In the Fan mode, the setting temperature is not displayed in the remote controller and you are not able to control the room temperature either. In this case, only step 1, 2 and 4 may be performed.



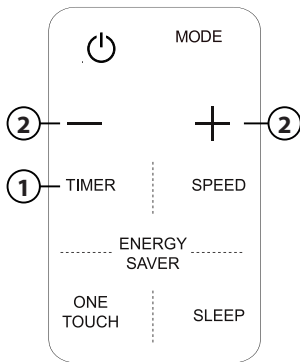
Dehumidifying operation

Ensure the unit is plugged in and power is available.

1. Press the ON/OFF button to start the air conditioner.
2. Press the MODE button to select Dry.
3. Press the TEMP UP/DOWN button to set the desired temperature.

i NOTE

In the Dehumidifying mode, you can not switch the fan speed. It has already been automatically controlled.



Timer operation

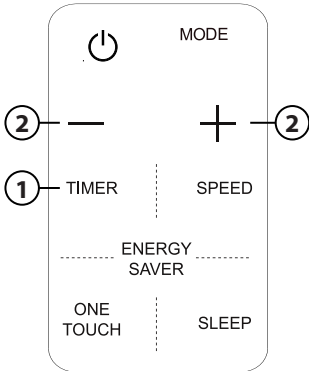
Press the TIMER button can initiate the Auto-start and Auto-stop setting program of the unit.

To set the Auto-start/stop time.

1. Press the TIMER button, when the TIMER ON indicator displayed on the LED window of the air conditioner, it indicates the Auto Start setting program is initiated. When the TIMER OFF indicator displayed on the LED window of the air conditioner, it indicates the Auto Stop setting program is initiated.
2. Press or hold the Up (+) or Down (-) to change the Auto time. The control will count down the time remaining until start/stop.
3. The selected time will register in 5 seconds and the air conditioner will automatically revert back to display the previous temperature setting.
4. Turning the unit ON or OFF at any time will cancel the Auto Start/stop function.

i NOTE

To cancel the TIMER setting, push the TIMER button and press or hold the Up (+) or Down (-) until 0 hour is displayed on the LCD window of the air conditioner.



COMBINED TIMER

(Setting both ON and OFF timers simultaneously)

AUTO STOP > AUTO START

(On > Stop > Start operation)

This feature is useful when you want to stop the air conditioner after you go to bed, and start it again in the morning when you wake up or when you return home.

Example:

To stop the air conditioner 2 hours after setting and start it again 10 hours after setting.

1. Press the TIMER button until the TIMER OFF indicator is displayed on the LED display of the air conditioner.
2. Use the UP/DOWN button to display "2.0" on the LED display of the air conditioner.
3. Press the TIMER button again to display the TIMER OFF on the LED display of the unit.
4. Use the UP/DOWN button to display "10" on the LED display of the unit.
5. Wait for 5 seconds until the previous display revert back to the LED window.

AUTO START > AUTO STOP

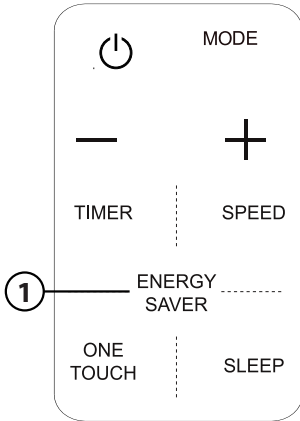
(Off > Start > Stop operation)

This feature is useful when you want to start the air conditioner before you wake up and stop it after you leave the house.

Example:

To start the air conditioner 5 hours after setting, and stop it 8 hours after setting.

1. Press the TIMER button until the TIMER ON indicator is displayed on the LED display of the air conditioner.
2. Use the UP/DOWN button to display "5.0" on the LED display of the air conditioner.
3. Press the TIMER button again to display the TIMER OFF on the LED display of the unit.
4. Use the UP/DOWN button to display "8.0" on the LED display of the unit.
5. Wait for 5 seconds until the previous display revert back to the LED window.



Energy saver operation

In this mode, the fan will continue to run for 3 minutes after the compressor shuts off. The fan then cycles on for 2 minutes at 10 minute intervals until the room temperature is above the set temperature, at which time the compressor turns back on and cooling starts.

i NOTE

- Buttons design is based on typical model and might be slightly different from the actual one you purchased, the actual shape shall prevail.
- All the functions described are accomplished by the unit, if the unit has no this feature, there is no corresponding operation happened when press the relative button on the remote controller.
- When there are wide differences between Remote Controller Illustration and USERS MANUAL on function description, the description on USERS MANUAL shall prevail.
- The device could comply with the local national regulations. In Canada, it should comply with CAN ICES-3(B)/NMB-3(B). In USA, this device complies with part 15 of the FCC Rules. Operation is subject to the following two conditions: (1) This device may not cause harmful interference, and (2) this device must accept any interference received, including interference that may cause undesired operation.
- This equipment has been tested and found to comply with the limits for a Class B digital device, pursuant to part 15 of the FCC Rules. These limits are designed to provide reasonable protection against harmful interference in a residential installation. This equipment generates, uses and can radiate radio frequency energy and, if not installed and used in accordance with the instructions, may cause harmful interference to radio communications. However, there is no guarantee that interference will not occur in a particular installation. If this equipment does cause harmful interference to radio or television reception, which can be determined by turning the equipment off and on, the user is encouraged to try to correct the interference by one or more of the following measures:
 - Reorient or relocate the receiving antenna.
 - Increase the separation between the equipment and receiver.
 - Connect the equipment into an outlet on a circuit different from that to which the receiver is connected.
 - Consult the dealer or an experienced radio/TV technician for help.
 - Changes or modifications not approved by the party responsible for compliance could void users authority to operate the equipment.



WARNING: Chemical Burn Hazard. Keep batteries away from children.

This product contains a lithium button/coin cell battery. If a new or used lithium button/coin cell battery is swallowed or enters the body, it can cause severe internal burns and can lead to death in as little as 2 hours. Always completely secure the battery compartment. If the battery compartment does not close securely, stop using the product, remove the batteries, and keep it away from children. If you think batteries might have been swallowed or placed inside any part of the body, seek immediate medical attention."

TOSHIBA

Free Manuals Download Website

<http://myh66.com>

<http://usermanuals.us>

<http://www.somanuals.com>

<http://www.4manuals.cc>

<http://www.manual-lib.com>

<http://www.404manual.com>

<http://www.luxmanual.com>

<http://aubethermostatmanual.com>

Golf course search by state

<http://golfingnear.com>

Email search by domain

<http://emailbydomain.com>

Auto manuals search

<http://auto.somanuals.com>

TV manuals search

<http://tv.somanuals.com>