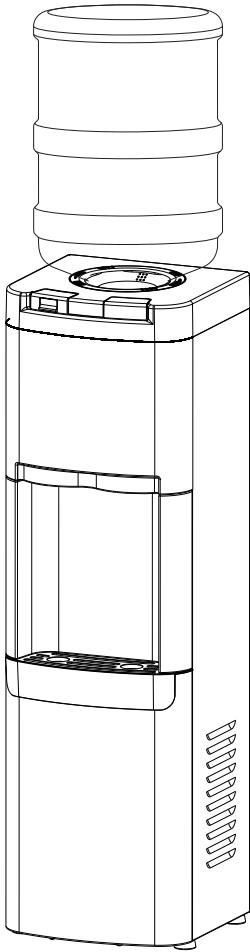


USER MANUAL



ELECTROTEMP TECHNOLOGIES INC.



Bottled Water Dispenser

Model # 7LCHSSF,7LCH



WARNING

TO REDUCE THE RISK OF INJURY AND PROPERTY DAMAGE, USER MUST READ THIS MANUAL BEFORE ASSEMBLING, INSTALLING & OPERATING DISPENSER.

SAVE FOR FUTURE USE

IMPORTANT: Do NOT Return Dispenser To Store.

If you have a question or problem, please contact 888-828-1426 for assistance.

LC-ETI.7LUM

SAFETY PRECAUTIONS

⚠ WARNING

To reduce risk of injury and property damage, user must read this entire manual before assembling, installing & operating dispenser.

Failure to execute the instructions in this manual can cause personal injury or property damage.

This product dispenses water at very high temperatures. Failure to use properly can cause personal injury.

When operating this dispenser, always exercise basic safety precautions, including the following:

- Prior to use, this dispenser must be properly assembled and installed in accordance with this manual.
- This dispenser is intended for water dispensing only. Do NOT use other liquids. Do NOT use for other purposes. Never use any other liquid in the dispenser other than known and microbiologically safe bottled water.
- For indoor use only. Keep water dispenser in a dry place away from direct sunlight. Do NOT use outdoors.
- Install and use only on a hard, flat and level surface.
- Do NOT place dispenser into an enclosed space or cabinet.
- Do NOT operate dispenser in the presence of explosive fumes.
- Position back of dispenser no closer than 4 inches from wall and permit free airflow between wall and dispenser. There must be at least 4 inches clearance on the sides of the dispenser to permit airflow.
- Use only properly grounded outlets.
- Do not use an extension cord with your water dispenser.
- Always grasp plug and pull straight out from outlet. Never unplug by pulling on power cord.
- Do NOT use dispenser if cord becomes frayed or otherwise damaged.
- To protect against electric shock, do NOT immerse cord, plug, or any other part of cooler in water or other liquids.
- Ensure dispenser is unplugged prior to cleaning.
- Never allow children to dispense hot water without proper and direct supervision. Unplug unit to prevent unsupervised use by children.
- Service should be performed only by a certified technician. Please contact us at 888-828-1426 for assistance.

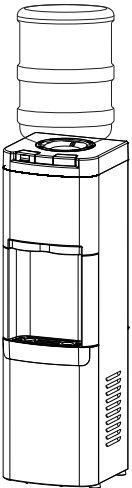
IMPORTANT: Do NOT Return Dispenser To Store.

If you have a question or problem, please contact 888-828-1426 for assistance.

TABLE OF CONTENTS

Safety Precautions	2
Key Information For Future Use	3
Specifications	4
Parts & Features	4
Assembly	5
Cleaning Prior to Initial Use	6
The History of Different Caps on Large Water Bottles	7
No-Spill, No-Leak Bottle Receptacles for Leaking Water Bottles	7
No-Spill, No-Leak Bottle Receptacle Diagram	8
Installation	9
Operation	10
Proper Care & Cleaning	12
Troubleshooting	14

KEY INFORMATION FOR FUTURE USE



Please register your dispenser immediately.

For future support please record here your serial number (located on back of unit on the silver label) and date purchased. Staple your receipt to manual.

You will need this information to obtain warranty service.

Product **Bottled Water Dispenser**

Model Number **7LCHSSF,7LCH**

Serial ID Number _____

Date of Purchase _____

IMPORTANT: Do NOT Return Dispenser To Store.
If you have a question or problem, please contact 888-828-1426 for assistance.

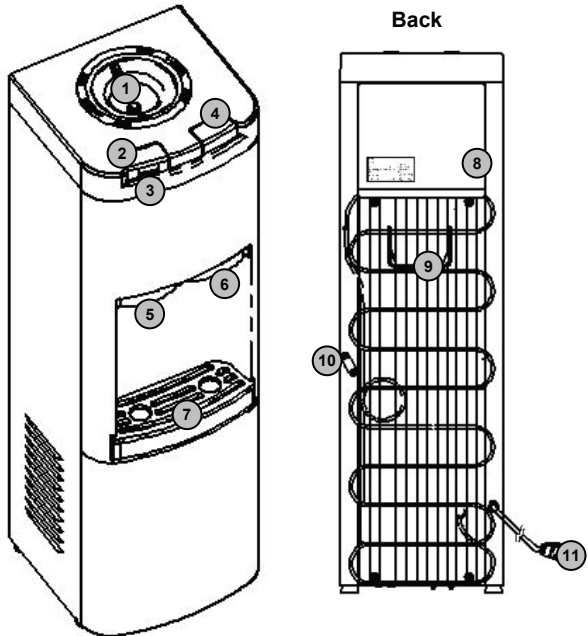
SPECIFICATIONS



Power Supply	5 AMP
Refrigerant Type	R-134A
Cold Water Power	125 Watts
Cold Capacity / Hour	1 Gallon
Cold Temp Range	3°C – 10°C / 37°F – 50°F
Hot Water Power	425 Watts
Hot Capacity / Hour	1 Gallon
Hot Temp Range	65°C – 93°C / 149°F – 199°F
Dimensions	91.3 cm H x 28.6 cm W x 27.5 cm D
7LCHSSF Net Weight	13.9 kg
7LCH Net Weight	13.5 kg

PARTS & FEATURES

- Bottle Probe ①
- Hot Water Control ②
- Child Safety Latch ③
- Cold Water Control ④
- Hot Water Tap ⑤
- Cold Water Tap ⑥
- Drip Tray ⑦
- Energy Saving Switch ⑧
- Carry Handle ⑨
- Drain Plug ⑩
- Power Cord ⑪
- Wall Mount Strap
(Not Shown)



IMPORTANT: Do NOT Return Dispenser To Store.

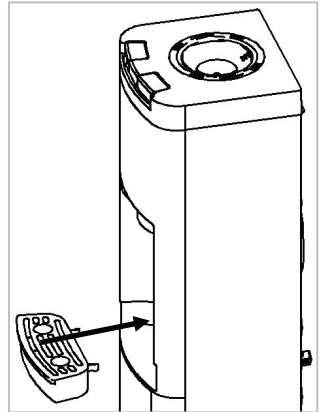
If you have a question or problem, please contact 888-828-1426 for assistance.

ASSEMBLY

⚠ WARNING

Keep plastic bags away from children.

1. Remove dispenser from packaging.
2. Unpack drip tray and insert into dispenser.
3. Properly dispose all of packaging.



IMPORTANT: Do NOT Return Dispenser To Store.

If you have a question or problem, please contact 888-828-1426 for assistance.

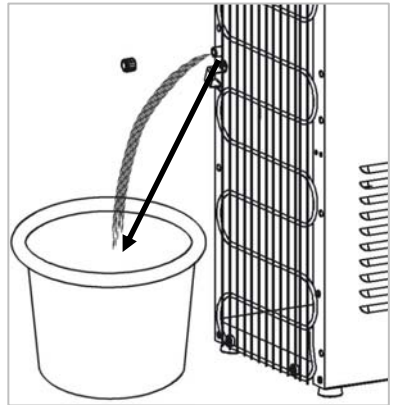
CLEANING PRIOR TO INITIAL USE

Your cooler had a long journey over the ocean inside of a sealed container and baked by the sun on the deck of the ship. It is possible that it has a stagnant smell. To remove the odor please clean it before its initial use.

DO NOT PLUG THE COOLER INTO AN ELECTRICAL POWER OUTLET

Time Required: 40 minutes.

1. Remove probe assembly by turning it counter clockwise. Store in a safe place.
2. Remove plastic baffle from inside reservoir. Store in a safe place.
3. Fill reservoir with a mixture of 1 gallon tap water a 2 ounces of unscented household bleach.
4. Let sit for 30 minutes.
5. Wipe inside of reservoir with a soft cloth.
6. Place a 2 gallon or larger bucket under the drain plug in the rear of the dispenser. Remove drain cap and silicon plug.
Reminder - Place drain cap and silicon plug in a safe location so they are not lost.
7. Once unit has completed draining, empty the bucket then return it to its former position.
8. Replace drain cap and silicone plug.
9. Fill the reservoir with 1 gallon of tap water.
Remove drain cap and silicon plug.
Reminder - Place drain cap and silicon plug in a safe location so they are not lost.
10. Repeat steps 7-9 another two times.
11. Remove remaining water from reservoirs by dispensing from both taps into a pitcher.
Replace parts.
Reminder - Don't forget the silicon plug and drain cap.
12. Complete the installation and operation instructions within this manual. If your bottled water has an off taste. Repeat the instructions listed on this page.



IMPORTANT: Do NOT Return Dispenser To Store.

If you have a question or problem, please contact 888-828-1426 for assistance.

THE HISTORY OF DIFFERENT CAPS ON LARGE WATER BOTTLES

Water coolers were invented about 60 years ago. Originally glass bottles were used with plain caps. These caps were solid on the top. Water coolers were open at the top. The Water bottle needed to be inverted quickly into the opening. Only people with enough strength to lift and invert a 43 pound bottle could do it without spilling water onto the floor.

Millions of water coolers were produced in this way and many of those water coolers are still in use. Only about 18 years ago was the new bottle cap invented. It was called 'No-Spill' cap, since a little white cap (valve) was positioned in the middle of the large cap. Through means of a probe in the bottle receptacle it was meant to be pushed out of the way once the bottle was inverted and securely seated on the cooler.

Your cooler is equipped with this state of the art bottle receptacle that filters incoming air and seals the top of the cooler from unwanted dirt. The probe (spike in the middle) is designed to work with both types of bottle caps. It can pierce a plain cap, or remove the small white cap (valve) from the No-Spill cap.

Just make sure your cap is clean before you place the bottle onto the cooler.

NO-SPILL, NO-LEAK BOTTLE RECEPTACLES FOR LEAKING WATER BOTTLES

Have you ever wondered how a water bottle works on top of a cooler? In the 17th century a French scientist named Pascal was the first to discover this phenomena and it was called after him 'Pascal's Law'.

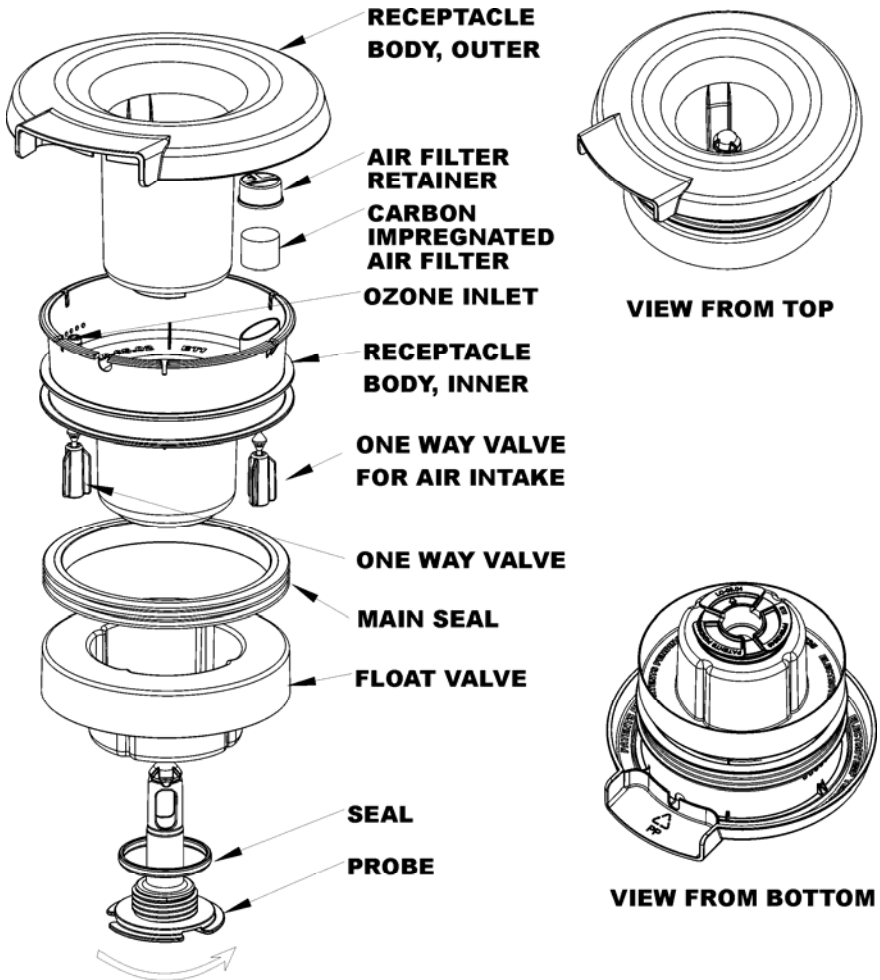
Water bottles are very heavy when filled with water. During transportation the bottle flexes and causes the plastic to get tired and spring microscopic cracks. These cracks do not leak when the bottle is transported. Only when placed onto the cooler and the water level drops to below the crack does the bottle crack open wide enough to let air in and ruin Pascal's Law effect. This happens due to vacuum forces inside of the bottle. Subsequently water leaks out onto the floor.

Your cooler is equipped with an innovative (patents pending) 'No-Leak Bottle Receptacle' which seals around the cold tank and has a needle valve that stops air from coming inside of the cooler. An oversized float efficiently lifts the needle valve and closes the air access to the inside of the coolers cold tank. This way water from the bottle has nowhere to go and your floors are protected. As a matter of fact this happens quite frequently, causing cooler owners to think that coolers are faulty.

IMPORTANT: Do NOT Return Dispenser To Store.

If you have a question or problem, please contact 888-828-1426 for assistance.

NO-SPILL, NO-LEAK BOTTLE RECEPTACLE DIAGRAM



PATENTS PENDING

IMPORTANT: Do NOT Return Dispenser To Store.
If you have a question or problem, please contact 888-828-1426 for assistance.

INSTALLATION

⚠ CAUTION

To prevent accidental tip hazard, dispenser must be securely anchored to wall as shown.

1. Place dispenser upright.
2. Locate dispenser on a hard and level surface in a cool shaded location near a grounded wall outlet.

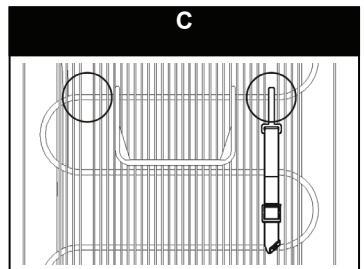
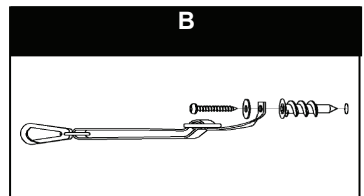
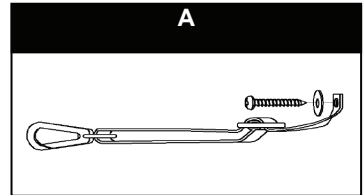
Notice: Do NOT plug in power cord yet. If dispenser is not fully leveled it will self correct with the weight of a full bottle of water.

3. Position dispenser so the back is at least 4 inches from wall and there are at least 4 inches of clearance on both sides.
4. Install Wall Mount Strap to prevent accidental tip over:
 - Unclip strap from back of dispenser
 - Mount strap 25 inches up from floor directly to wall stud with screw (See illustration A)

If stud is not available, insert and turn anchor directly into sheet rock using a Philips screwdriver (DO NOT drill hole into sheet rock first when using this anchor). Secure strap by installing screw through washer, then eyelet in strap and into wall mounted anchor. (See illustration B)

- Position cooler in place
- Clip strap onto back of cooler to right or left side. (See illustration C)
- Adjust length of strap so the dispenser can NOT move forward.

Note – Dispenser can be positioned in a corner but still requires Wall Mount Strap to be installed. Adjust strap so that the dispenser cannot move forward.



IMPORTANT: Do NOT Return Dispenser To Store.

If you have a question or problem, please contact 888-828-1426 for assistance.

OPERATION

⚠ CAUTION

This unit is intended for water dispensing only. Do NOT use other liquids. Do NOT use for other purposes.

This dispenser has been designed to use water bottles with 3 & 5 gallon capacity. Do NOT use alternative bottles.

Initial Set Up

Notice: To prevent damage to compressor, allow unit to sit upright for at least 4 hours prior to operating.

1. Remove tamper seal from top of bottle cap. Do NOT remove plastic cap.
2. Clean bottle cap and neck with a soft cloth and warm soapy water, then rinse.
3. Lift bottle and insert onto the probe. Apply slight pressure until the plug inside the cap pushes in and the bottle is seated. Water will begin to flow into the reservoirs causing air bubbles in the bottle.
4. Plug cord into a properly grounded wall outlet.
5. Turn energy saving switch on back of dispenser to ON. This switch controls the heating of water. If you do not want hot water, turn this switch OFF.

Initial Rinsing of Water Lines

This unit has been tested and sanitized prior to packing and shipping. During transit dust and odors can accumulate in the tank and lines. Dispense and dispose at least one quart of water prior to drinking any water.

Dispensing Cold Water

Note: After setup, it will take 1 hour to get water to a cold temperature. During this time the compressor will run continuously. This is normal.

1. Position bottle, glass, pitcher or cooking pot securely below cold water tap.
 - The circular shapes in the drip plate help align the flow of water. This unit dispenses water at a fast rate. To avoid splashes, hold cup as close to the tap as possible.
2. Depress cold water control downward to start flow.
3. Release cold water control once desired fill level is achieved.

IMPORTANT: Do NOT Return Dispenser To Store.

If you have a question or problem, please contact 888-828-1426 for assistance.

Dispensing Hot Water

CAUTION

This unit dispenses water at temperatures that can cause severe burns. Avoid direct contact with hot water. Keep children and pets away from unit while dispensing. Never allow children to dispense hot water without proper and direct supervision. Unplug unit to prevent unsupervised use by children.

Note: After setup, hot water will be available in 15-20 minutes.

1. Position bottle, glass, pitcher or cooking pot securely below hot water tap.
 - The circular shapes in the drip plate help align the flow of water. This unit dispenses water at a fast rate. To avoid splashes, hold cup as close to the tap as possible.
2. Push red hot water release inward and depress hot water control downward to start flow.
3. Release hot water control once desired fill level is achieved.

Replacing an Empty Bottle

Notice: Replace bottle as soon as you notice it is empty.

1. Lift bottle straight up to disengage from the bottle probe.
2. Remove tamper seal from top of bottle cap of fresh bottle. Do NOT remove plastic cap.
3. Clean bottle cap and neck with a soft cloth and warm soapy water, then rinse.
4. Lift bottle and insert onto the probe. Apply slight pressure until the plug inside the cap pushes in and the bottle is seated. Water will begin to flow into the reservoirs causing air bubbles to form in the bottle.

IMPORTANT: Do NOT Return Dispenser To Store.

If you have a question or problem, please contact 888-828-1426 for assistance.

PROPER CARE & CLEANING

General Cleaning

Perform: As needed (usually once every 12 weeks)

Time Required: 5 minutes.

Note: Do NOT use abrasive materials or chemical cleaners.

1. Clean cabinet surfaces with a soft cloth and warm soapy water, then rinse.
2. Wipe dust from back of dispenser to improve efficiency.
3. Remove drip tray assembly by pulling it forward. Remove cover. Place tray and cover in dishwasher or wipe parts clean with a soft cloth and warm soapy water.

Cleaning Cold Reservoir and Water Lines

Perform: Every 3 months or whenever an off-taste occurs.

Time Required: 15 minutes.

Note: Best to do prior to loading a fresh bottle.

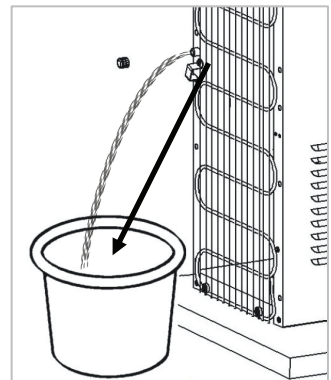
1. Turn energy saving switch OFF.
2. Unplug power cord from wall outlet.
3. Remove water bottle.
4. Unclip Wall Mount Strap from back of dispenser and turn dispenser around so backside is facing away from the wall.
5. Place a 2 gallon or larger bucket under the drain plug in the rear of the dispenser.

⚠ CAUTION

Remove drain cap and silicon plug. Cold water will immediately flow into the bucket. This will be followed several seconds later by hot water at temperatures that can cause severe burns. Avoid direct contact with hot water. Keep children and pets away while draining unit.

Reminder - Place drain cap and silicon plug in a safe location so they are not lost.

6. Remove remaining water from cold reservoir by dispensing from both taps into a pitcher.



IMPORTANT: Do NOT Return Dispenser To Store.

If you have a question or problem, please contact 888-828-1426 for assistance.

7. Remove probe assembly by turning it counter clockwise.
8. Remove plastic baffle from inside reservoir.
9. Clean probe assembly and baffle with a soft cloth using a mixture of one gallon tap water and 1 tablespoons unscented household bleach, then rinse.
10. Wipe inside of reservoir and area around both taps with a soft cloth using a mixture of one gallon tap water and 1 tablespoon unscented household bleach. If there is mineral build-up (white chalky deposits) use a household product designed to remove calcium, lime or rust. These can be found in grocery and hardware stores. Follow manufacturer's label instructions.
11. Rinse system by pouring 1-2 gallons of tap water through the dispenser and into the bucket. For washing and rinsing use ordinary tap water.
12. Remove remaining water from reservoirs by dispensing from both taps into a pitcher.
13. Replace all parts including silicon plug, drain cap, baffle and probe assembly.
14. Turn unit around and re-clip Wall Mount Strap to back of dispenser.
15. Install a fresh bottle of water after cleaning bottle cap and neck area.
16. Plug power cord into grounded wall outlet.
17. Turn energy saving switch ON.

IMPORTANT: Do NOT Return Dispenser To Store.

If you have a question or problem, please contact 888-828-1426 for assistance.

TROUBLESHOOTING

Dispenser does not operate.

- Make sure the power cord is properly connected to a working outlet.

Water is leaking.

- Bottle may have a leak. Remove bottle and replace with new bottle.
- If leak remains, remove bottle and call 888-828-1426 for assistance.

Push buttons are stuck and/or faucets are leaking.

- Apply mineral oil (baby oil) to button slides to reduce friction.

No water is coming from the taps.

- Make sure the bottle is not empty. If so replace it.
- Make sure to push the water controls in fully.

Cold water is not cold.

- It takes up to one hour after setup to dispense cold water.
- Make sure the back of the dispenser is at least 4 inches from a wall and there is free airflow on all 4 sides of the dispenser.
- Make sure tank is not overfilled due to a bottle leak. Dispense water until bubbles appear in bottle.

Hot water is not hot.

- It takes 15-20 minutes after setup to dispense hot water.
- Make sure the power cord is properly connected to a working outlet.
- Make sure energy saving switch is ON

Dispenser is noisy.

- Make sure dispenser is positioned on a level surface.

Water tastes bad.

- Drain water from reservoirs and replace bottle with a fresh one.
- Clean dispenser per Proper Care & Cleaning instructions.

IMPORTANT: Do NOT Return Dispenser To Store.
If you have a question or problem, please contact 888-828-1426 for assistance.

Free Manuals Download Website

<http://myh66.com>

<http://usermanuals.us>

<http://www.somanuals.com>

<http://www.4manuals.cc>

<http://www.manual-lib.com>

<http://www.404manual.com>

<http://www.luxmanual.com>

<http://aubethermostatmanual.com>

Golf course search by state

<http://golfingnear.com>

Email search by domain

<http://emailbydomain.com>

Auto manuals search

<http://auto.somanuals.com>

TV manuals search

<http://tv.somanuals.com>