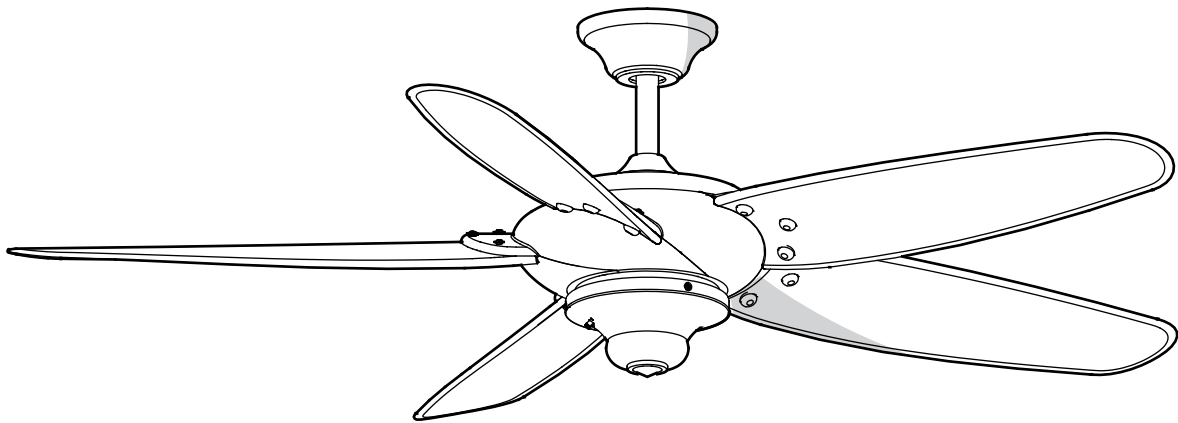




Item # XXX-XXX
Model # 52356
UL Model # 60-ATO

USE AND CARE GUIDE

ALTURA 60-INCH CEILING FAN



Questions, problems, missing parts? Before returning to the store call
Hampton Bay Customer Service
8 a.m. - 6 p.m., EST, Monday-Friday.

1-877-527-0313

HAMPTONBAY.COM

THANK YOU

We appreciate the trust and confidence you have placed in Hampton Bay through the purchase of this ceiling fan. We strive to continually create quality products designed to enhance your home. Visit us online to see our full line of products available for your home improvement needs. Thank you for choosing Hampton Bay!

Table of Contents

Table of Contents.....	2	Assembly	7
Safety Information.....	2	Operation	12
Warranty.....	3	Care and Cleaning	13
Pre-Installation	3	Troubleshooting.....	14
Installation	6		

Safety Information

1. To reduce the risk of electric shock, ensure the electricity has been turned off at the circuit breaker or fuse box before you begin.
2. All wiring must be in accordance with the National Electrical Code ANSI/NFPA 70-1999 and local electrical codes. Electrical installation should be performed by a qualified licensed electrician.
3. The outlet box and support structure must be securely mounted and capable of reliably supporting a minimum of 50 lbs. (22.7kg). Use only UL-listed outlet boxes marked "For Fan Support."
4. The fan must be mounted with a minimum of 7 ft (2 m) of clearance from the trailing edge of the blades to the floor.
5. Do not operate the reversing switch while the fan blades are in motion. You must turn the fan off and stop the blades before you reverse the blade direction.
6. Do not place objects in the path of the blades.
7. To avoid personal injury or damage to the fan and other items, use caution when working around or cleaning the fan.
8. Electrical diagrams are for reference only. Light kits that are not packed with the fan must be UL- listed and marked suitable for use with the model fan you are installing. If using this fan in a wet or damp environment, the light kit must be marked "Suitable for Use in Wet Location". Switches must be UL General Use Switches. Refer to the instructions packaged with the light kits and switches for proper assembly.
9. This product is suitable for use in wet locations when installed in a GFCI protected branch circuit.
10. After making electrical connections, spliced conductors should be turned upward and pushed carefully up into the outlet box. The wires should be spread apart with the grounded conductor and the equipment-grounding conductor on one side of the outlet box.
11. All setscrews must be checked and retightened where necessary before installation.



WARNING: To reduce the risk of personal injury, do not bend the blade brackets (also referred to as flanges) during assembly or after installation. Do not insert objects in the path of the blades.



WARNING: To reduce the risk of fire or electric shock, do not use this fan with any solid-state speed control device.



WARNING: To avoid possible electrical shock, turn the electricity off at the main fuse box before wiring. If you feel you do not have enough electrical wiring knowledge or experience, contact a licensed electrician



WARNING: Electrical diagrams are for reference only. Optional use of any light kit shall be UL-listed and marked suitable for use with this fan.



WARNING: To reduce the risk of fire or electric shock, this fan should only be used with fan speed control part no. WASOF-02, manufactured by Chungear Industrial Co., Ltd.



CAUTION: To reduce the risk of personal injury, use only the screws provided with the outlet box.



Warranty

The supplier warrants the fan motor to be free from defects in workmanship and material present at time of shipment from the factory for a period of lifetime after the date of purchase by the original purchaser. The supplier also warrants that all other fan parts, excluding any glass or acrylic blades, to be free from defects in workmanship and material at the time of shipment from the factory for a period of two years after the date of purchase by the original purchaser. We agree to correct such defects without charge or at our option replace with a comparable or superior model if the product is returned. To obtain warranty service, you must present a copy of the receipt as proof of purchase. All costs of removing and reinstalling the product are your responsibility. Damage to any part such as by accident or misuse or improper installation or by affixing any accessories, is not covered by this warranty. Because of varying climatic conditions this warranty does not cover any changes in brass finish, including rusting, pitting, corroding, tarnishing, or peeling. Brass finishes of this type give their longest useful life when protected from varying weather conditions. A certain amount of “wobble” is normal and should not be considered a defect. Servicing performed by unauthorized persons shall render the warranty invalid. There is no other express warranty. Hampton Bay hereby disclaims any and all warranties, including but not limited to those of merchantability and fitness for a particular purpose to the extent permitted by law. The duration of any implied warranty which cannot be disclaimed is limited to the time period as specified in the express warranty. Some states do not allow a limitation on how long an implied warranty lasts, so the above limitation may not apply to you. The retailer shall not be liable for incidental, consequential, or special damages arising out of or in connection with product use or performance except as may otherwise be accorded by law. Some states do not allow the exclusion of incidental or consequential damages, so the above exclusion or limitation may not apply to you. This warranty gives specific legal rights, and you may also have other rights which vary from state to state. This warranty supersedes all prior warranties. Shipping costs for any return of product as part of a claim on the warranty must be paid by the customer.

Contact the Customer Service Team at 1-877-527-0313 or visit www.hamptonbay.com

Pre-Installation

SPECIFICATIONS

Size	Speed	Volts	AIRFLOW CFM	FAN POWER CONSUMPTION (WITHOUT LIGHTS) WATT	AIRFLOW EFFICIENCY (HIGHER IS BETTER) CFM/WATT	NET WEIGHT	GROSS WEIGHT	CUBE FEET
60"	Low	120	2686	11.4	236	30.4 lbs. (13.8 kg)	34.0 lbs. (15.4 kg)	2.6'
	Medium		4865	33.5	145			
	High		6886	67.2	102			



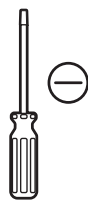
NOTE: These are approximate measures. They do not include the Amps and Wattage used by the light kit.



TOOLS REQUIRED



Phillips screwdriver



Flat blade screwdriver



Adjustable wrench



Electrical tape



Wire cutter




Step ladder

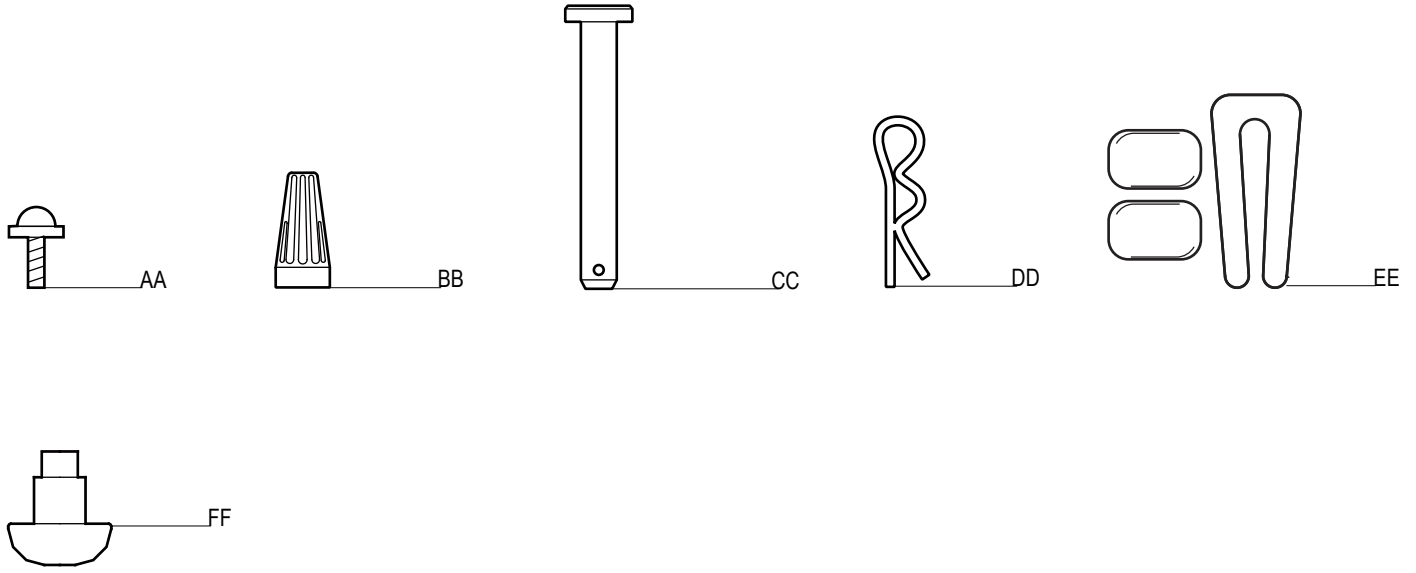
HAMPTONBAY.COM

Please contact 1-877-527-0313 for further assistance.

Pre-Installation (continued)

HARDWARE INCLUDED

 NOTE: Hardware not shown to actual size.



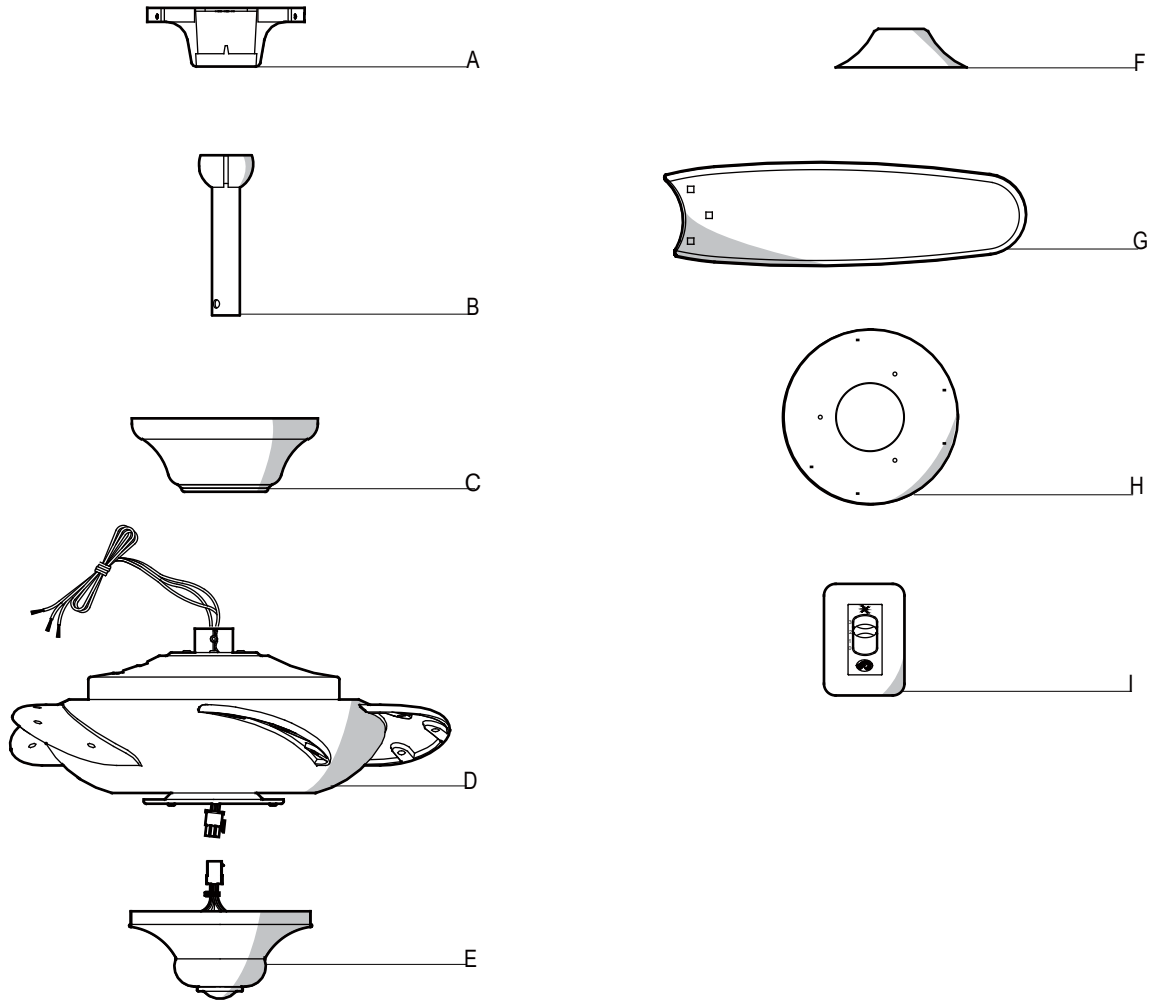
Part	Description	Quantity
AA	Blade attachment screw	16
BB	Wire connecting nut	3
CC	Hanger pin	1
DD	Locking pin	1

Part	Description	Quantity
EE	Balancing kit	1
FF	Decorative nut	16



Pre-Installation (continued)

PACKAGE CONTENTS



Part	Description	Quantity
A	Slide-on mounting bracket (inside the canopy)	1
B	Ball/downrod assembly	1
C	Canopy with canopy ring attached	1
D	Fan-motor assembly	1
E	Switch cup	1

Part	Description	Quantity
F	Decorative motor collar cover	1
G	Blade	5
H	Switch cup adaptor	1
I	Wall control	1



IMPORTANT: This product and/or components are governed by one or more of the following U.S. Patents: 5,947,436; 5,988,580; 6,010,110; 6,046,416, 6,210,117 and other patents pending.

Installation

MOUNTING OPTIONS

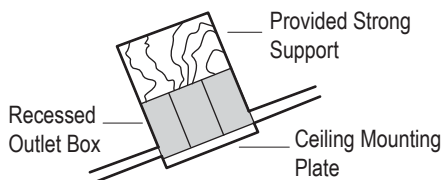
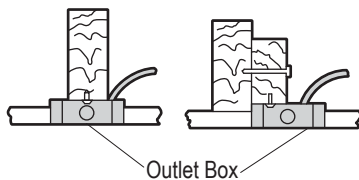
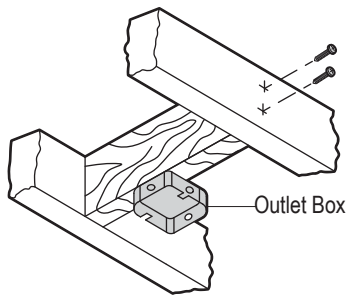


WARNING: To reduce the risk of fire, electric shock, or personal injury, mount the fan to an outlet box marked acceptable for fan support using the screws provided with the outlet box. An outlet box commonly used for the support of lighting fixtures may not be acceptable for fan support and may need to be replaced. If in doubt, consult a qualified electrician.

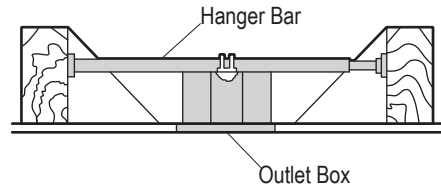
If your ceiling fan does not have an existing UL-listed mounting box, then install one using the following instructions:

- Disconnect the power by removing the fuses or turning off the circuit breakers.
- Secure the outlet box directly to the building structure. Use the appropriate fasteners and materials. The outlet box and its bracing must be able to fully support the weight of the moving fan (at least 50 lbs.). Do not use a plastic outlet box.

The illustrations below show three different ways to mount the outlet box.



NOTE: You may need a longer downrod to maintain proper blade clearance when installing on a steep, sloped ceiling. The maximum angle allowable is 30° away from horizontal.



If the canopy touches the downrod, then remove the decorative canopy bottom cover, and turn the canopy 180° before attaching the canopy to the mounting bracket.

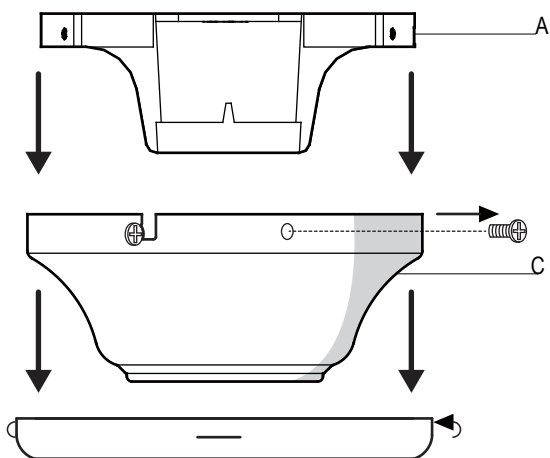
To hang your fan where there is an existing fixture but no ceiling joist, you may need an installation hanger bar as shown above (available at any Home Depot store).



Assembly – Standard Ceiling Mounting

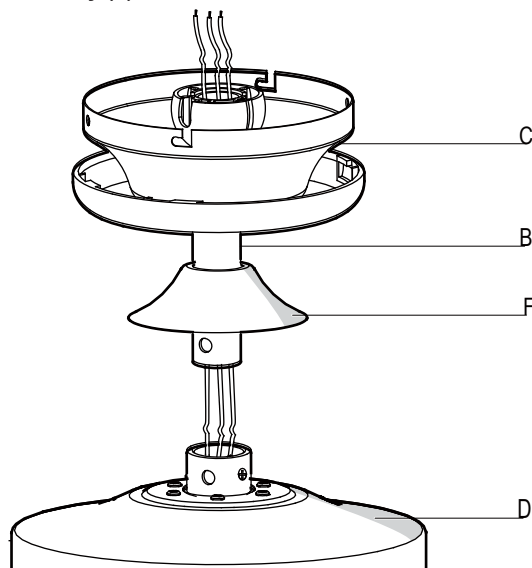
1 Preparing for mounting

- Remove the canopy ring from the canopy (C) by turning the ring to the right until it unlocks.
- Remove the mounting bracket (A) from the canopy by loosening the four screws on the top of the canopy (C). Remove the two non-slotted screws, and loosen the slotted screws. This will enable you to remove the mounting bracket (A).



2 Routing the wires

- Route the wires exiting the top of the fan motor (D) through the decorative motor collar cover (F) and through the canopy ring (C).
- Make sure the slot openings are on top, and route the wires through the canopy (C) and then through the ball/downrod assembly (B).



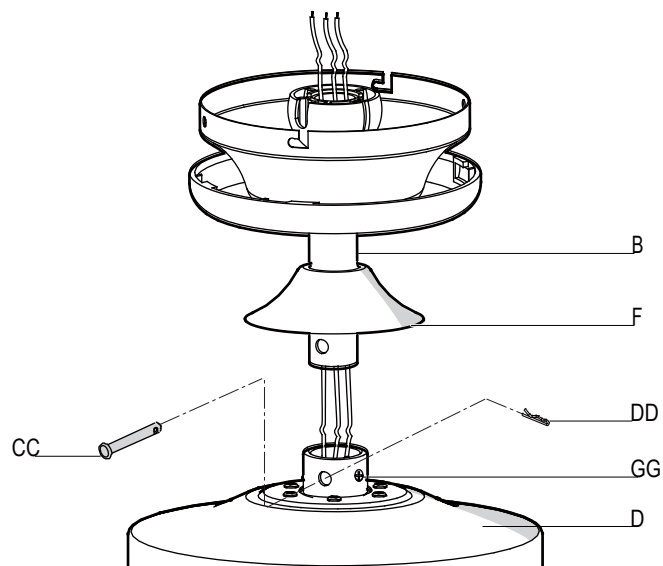
3 Assembling the fan

- Loosen, but do not remove, the setscrew (GG) on the collar on top of the motor housing (D).
- Align the holes at the bottom of the downrod (B) with the holes in the collar on top of the motor housing (D).
- Carefully insert the hanger pin (CC) through the holes in the collar and downrod (B). Be careful not to jam the hanger pin (CC) against the wiring inside the downrod (B).
- Insert the locking pin (DD) through the hole near the end of the hanger pin (CC) until it snaps into its locked position.



WARNING: Failure to properly install the locking pin could result in the fan becoming loose and possibly falling.

- Re-tighten the setscrews on the collar on top of the motor housing (D).



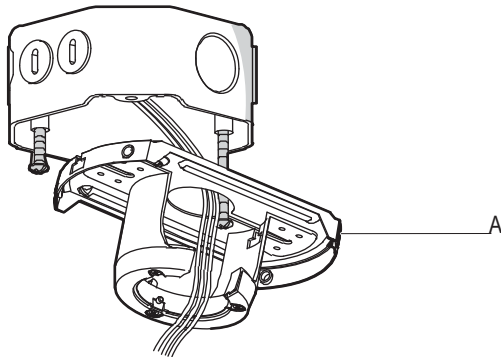
Assembly – Hanging the Fan

4 Attaching the fan to the electrical box



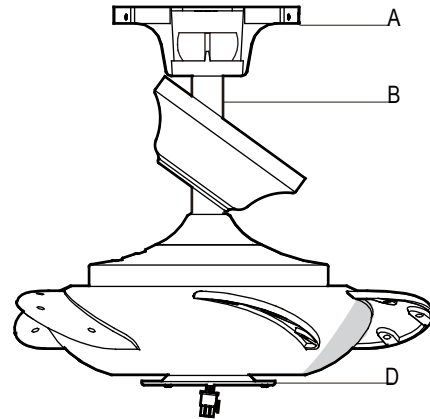
WARNING: To reduce the risk of fire, electric shock, or other personal injury, mount the fan to an outlet box or supporting system marked acceptable for fan support, and use the mounting screws provided with the outlet box.

- Pass the 120-Volt supply wires through the center hole in the mounting bracket (A).
- Install the ceiling mounting bracket on the outlet box by sliding the mounting bracket (A) over the two screws provided with the outlet box. If necessary, use leveling washers (not included) between the mounting bracket (A) and the outlet box. Note that the flat side of the mounting bracket (A) is toward the outlet box.
- Securely tighten the two mounting screws.



5 Hanging the fan

- Carefully lift the fan-motor assembly (D) up to the mounting bracket (A).
- Seat the hanger ball portion of the ball/downrod assembly (B) in the mounting bracket socket. Ensure that the tab on the mounting bracket (A) socket is properly seated in the groove in the hanger ball.



Assembly – Hanging the Fan (continued)

6 Making the electrical connection

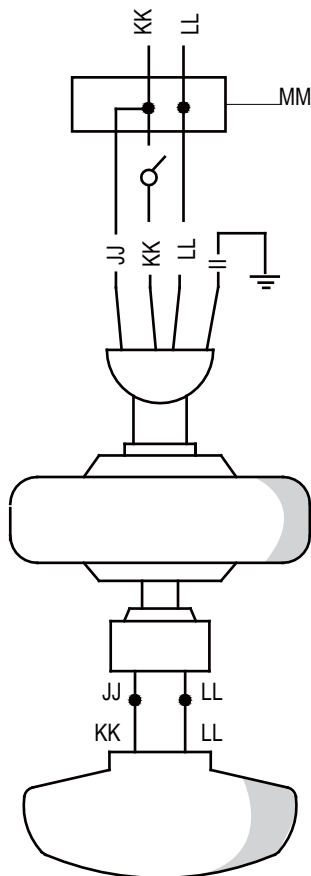


WARNING: Each wire nut supplied with this fan is designed to accept up to one 12-gauge house wire and two wires from the fan. If you have larger than 12-gauge house wiring or more than one house wire to connect to the fan wiring, consult an electrician for the proper size wire nuts to use.



IMPORTANT: Use the wire connecting nuts supplied with your fan. Secure the connectors with electrical tape, and ensure there are no loose strands or connections.

- Connect the two green fan wires (II) to the household wire (II).
- If you are using the optional light kit, connect the blue fan wire (JJ) and the black fan wire (KK) to the black household wire (KK).
- Connect the white fan wire (LL) to the white household wire (LL).
- Spread the wires apart so that the green (II) and white (LL) wires are on the side of the outlet box (MM) and the black wire (KK) is on the other side.
- Turn the wire connecting nuts upward and push the wiring into the outlet box (MM).

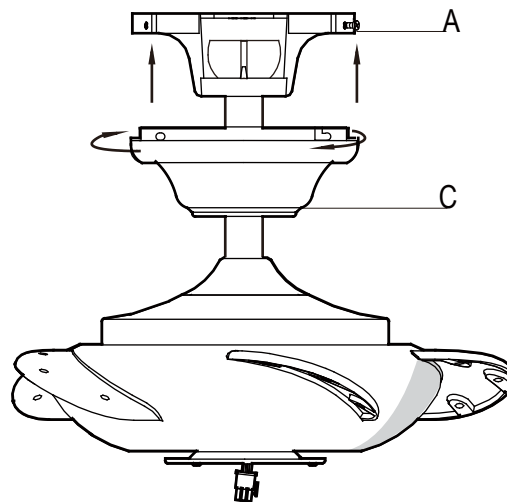


7 Mounting the fan



WARNING: When using the standard ball/downrod mounting, the tab in the ring at the bottom of the mounting bracket must rest in the groove of the hanger ball. Failure to properly seat the tab in the groove could cause damage to the wiring.

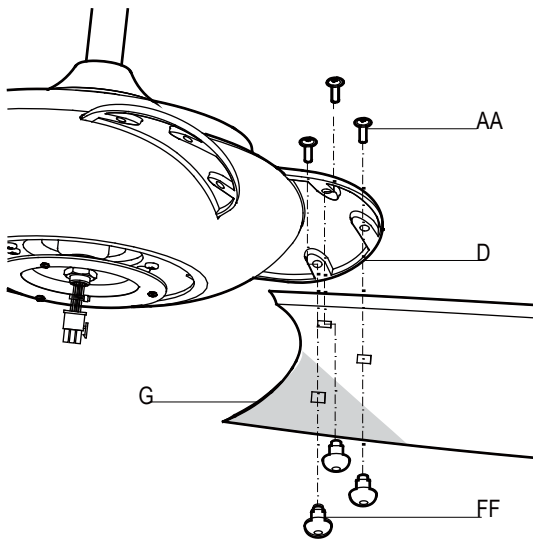
- Align the locking slots of the canopy (C) with the two screws in the mounting bracket (A).
- Push up to engage the slots, and turn the canopy clockwise to lock it in place.
- Firmly tighten the two mounting screws.
- Install the remaining two mounting screws into the holes in the canopy (C) and tighten firmly.
- Install the decorative canopy ring by aligning the ring's slots with the screws in the canopy (C). Rotate the ring counter-clockwise to lock in place.



Assembly – Attaching the Fan Blades

8 Attaching the fan blades

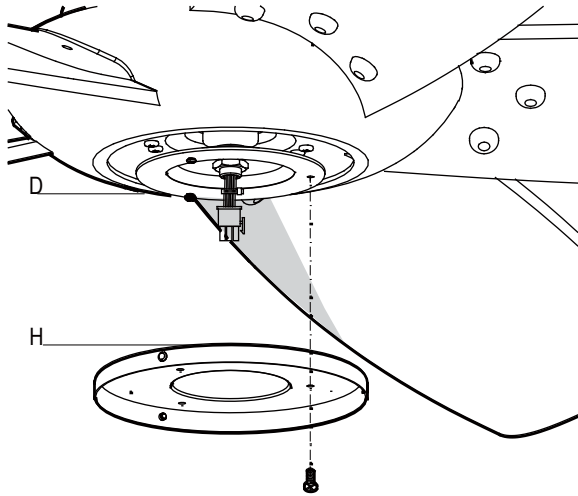
- Attach the blade (G) to the blade bracket using the decorative nuts (FF) and blade attachment screws (AA) as shown.
- Start a blade attachment screw (AA) into the decorative nut (FF). Repeat for the two remaining decorative nuts and blade attachment screws.
- Tighten each blade attachment screw (AA) securely.
- Repeat these steps for the remaining blades (G).



Assembly – Attaching the Accessories

9 Attaching the switch cup adaptor

- Remove the three screws from the black bracket below the fan motor assembly (D).
- Align the key holes in the switch cup adaptor (H) with the three holes in the black bracket.
- Re-install the three screws that were removed in the first step. Tighten all three screws firmly.

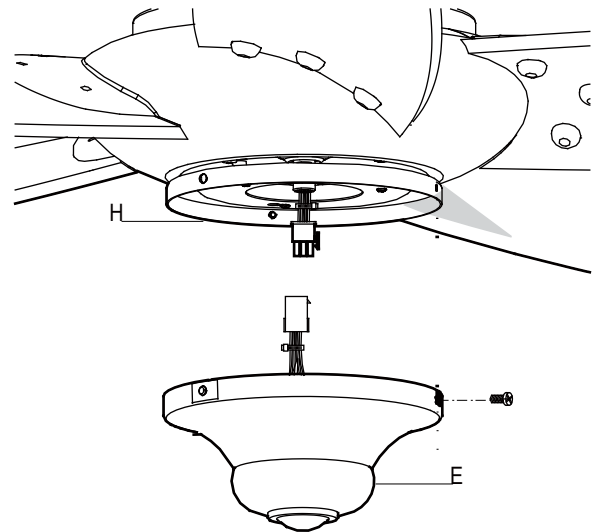


10 Attaching the switch cup



CAUTION: To reduce the risk of electric shock, disconnect the electrical supply circuit to the fan before installing the switch cup.

- Remove the three screws from the switch cup (E).
- Connect the molded adaptor plug in the switch cup (E) with the molded adaptor of the fan motor assembly (D).
- Aligning the holes on the switch cup (E) with the three holes on the switch cup adaptor (H).
- Re-install the three screws that were removed in the first step. Tighten all three screws securely.



Operation

Wall Control - Your fan is equipped with a wall control to operate the speed of your new ceiling fan. For more information on how to install the wall control, see the wall control instructions packaged with the wall control components.

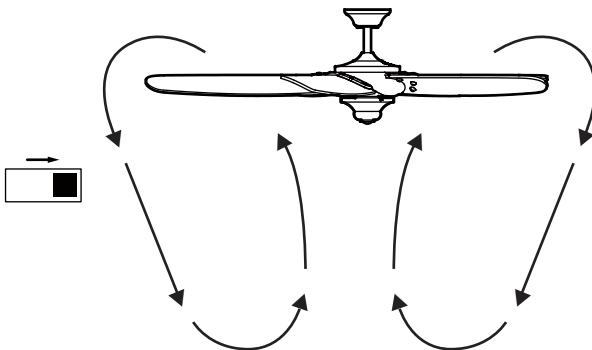
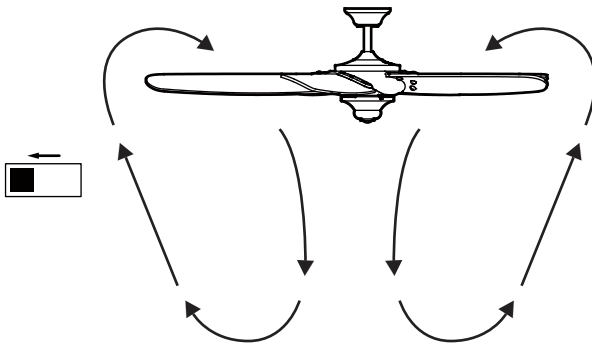
The appropriate speed setting for warm or cool weather depends on factors such as the room size, ceiling height, and number of fans. The fan is shipped from the factory with the reversing switch positioned to circulate air downward. If airflow is desired in the opposite direction, turn your fan off, and wait for the blades to stop turning, then slide the reversing switch (located in the switch cup) to the opposite position, and turn the fan on again. The fan blades will turn in the opposite direction and reverse airflow.



NOTE: Wait for the fan to stop before reversing the direction of blade rotation.

Warm weather - (Forward) A downward air flow creates a cooling effect. This allows you to set your air conditioner on a warmer setting without affecting your comfort.

Cool weather - (Reverse) An upward air flow moves warm air off the ceiling. This allows you to set your heating unit on a cooler setting without affecting your comfort.



Wall control installation

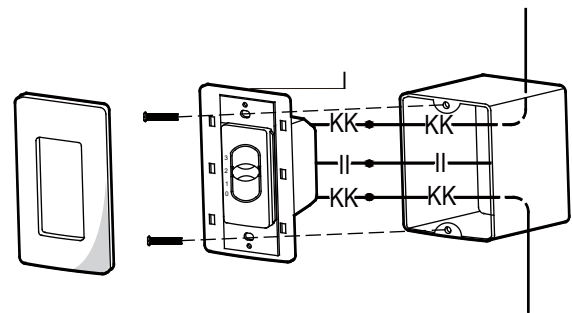


WARNING: To avoid possible electrical shock, be sure electricity is turned off at the main fuse or circuit breaker box before wiring. Turning off the wall switch is not sufficient to prevent shock. All wiring must be in accordance with National and Local codes, and the ceiling fan must be properly grounded as a precaution against possible electrical shock.

- Disconnect the main fuse or circuit breaker box.
- Remove the faceplate and screws from the existing wall switch, and pull the switch out from the wall outlet box.
- Disconnect the wires from the existing fan wall switch.
- Slide the wall control (I) to the off (O) position.
- Connect the black wire (KK) (AC IN) from the wall control (I) to the 120V AC wire (KK) with a wire connector provided.
- Connect the green/yellow wire (II) from the wall control (I) to the green wire (II) from the fan with a wire connector provided.
- Connect the black wire (KK) (TO MOTOR) from the wall control (I) to the black wire (KK) from the fan/motor with a wire connector provided.
- Attach the wall control (I) to the wall outlet box with two screws provided.
- Position the faceplate onto the wall control (I) by clicking the faceplate.
- Restore power at the main fuse box or circuit breaker panel.



NOTE: This control is designed to operate only one ceiling fan.



Operating the fan

Fan slide switch
0 = Power off
1 = High speed
2 = Medium speed
3 = Low speed



Care and Cleaning



WARNING: Make sure the power is off before cleaning your fan.

- Because of the fan's natural movement, some connections may become loose. Check the support connections, brackets, and blade attachments twice a year. Make sure they are secure. It is not necessary to remove the fan from the ceiling.
- Clean your fan periodically to help maintain its new appearance over the years. Do not use water when cleaning, as this could damage the motor, or the wood, or possibly cause an electrical shock. Use only a soft brush or lint-free cloth to avoid scratching the finish. The plating is sealed with a lacquer to minimize discoloration or tarnishing.
- You can apply a light coat of furniture polish to the wood for additional protection and enhanced beauty. Cover small scratches with a light application of shoe polish.
- You do not need to oil your fan. The motor has permanently lubricated sealed ball bearings.

Troubleshooting

Problem	Solution
The fan will not start	<ul style="list-style-type: none"><input type="checkbox"/> Check the main and branch circuit fuses or breakers.<input type="checkbox"/> Check the line wire connections to the fan and switch wire connections in the switch housing.<input type="checkbox"/> Ensure the wall switch is turned on.
The fan is noisy	<ul style="list-style-type: none"><input type="checkbox"/> Ensure all motor housing screws are snug.<input type="checkbox"/> Ensure the screws that attach the fan blade bracket to the motor hub are tight.<input type="checkbox"/> Ensure the wire nut connections are not rattling against each other or the interior wall of the switch housing.<input type="checkbox"/> Allow a 24-hour “breaking in” period. Most noises associated with a new fan disappear during this time.<input type="checkbox"/> If you are using the Ceiling Fan light kit, ensure the screws securing the glassware are tight. Check that the light bulbs are also secure.<input type="checkbox"/> Ensure the canopy is a short distance from the ceiling. It should not touch the ceiling.<input type="checkbox"/> Ensure your outlet box is secure and rubber isolator pads were used between the mounting plate and outlet box.
The fan wobbles	<ul style="list-style-type: none"><input type="checkbox"/> Check that all blade and blade arm screws are secure.<input type="checkbox"/> Most fan wobble problems are caused when blade levels are unequal. Check this level by selecting a point on the ceiling above the tip of one of the blades. Measure from a point on the center of each blade to the point on the ceiling. Rotate the fan until the next blade is positioned for measurement. Repeat for each blade. Any measurement deviation should be within 1/8". Run the fan for ten minutes.<input type="checkbox"/> Use the enclosed blade balancing kit if the blade wobble is still noticeable.



This page intentionally left blank.



Questions, problems, missing parts? Before returning to the store call
Hampton Bay Customer Service
8 a.m. - 6 p.m., EST, Monday-Friday.

1-877-527-0313

HAMPTONBAY.COM

Retain this manual for future use.

X0000000000-A

Free Manuals Download Website

<http://myh66.com>

<http://usermanuals.us>

<http://www.somanuals.com>

<http://www.4manuals.cc>

<http://www.manual-lib.com>

<http://www.404manual.com>

<http://www.luxmanual.com>

<http://aubethermostatmanual.com>

Golf course search by state

<http://golfingnear.com>

Email search by domain

<http://emailbydomain.com>

Auto manuals search

<http://auto.somanuals.com>

TV manuals search

<http://tv.somanuals.com>