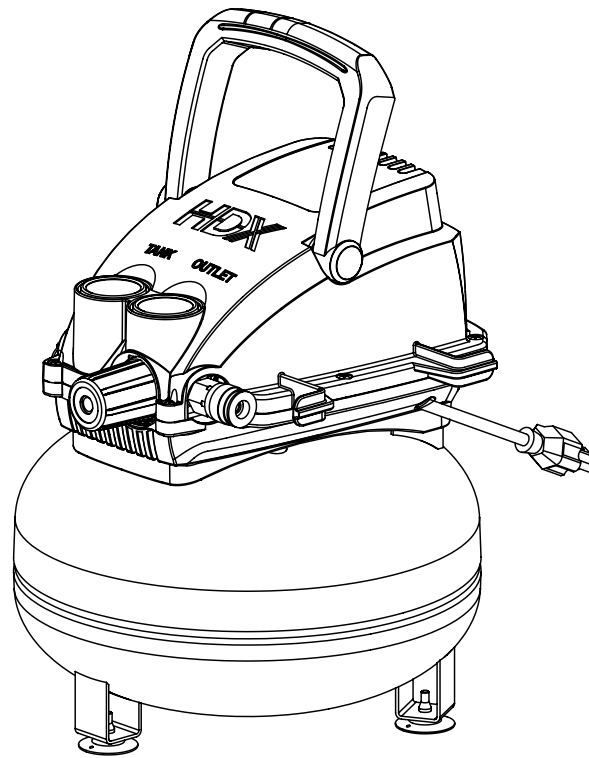




Item #1000 000 000
Model #XXXXXX

USE AND CARE GUIDE

3-GALLON AIR COMPRESSOR



Questions, problems, missing parts? Before returning to the store,
call HDX Customer Service
8 a.m. - 6 p.m., EST, Monday - Friday

1-800-514-6729

HOMEDEPOT.COM



THANK YOU

We appreciate the trust and confidence you have placed in HDX through the purchase of this air compressor. We strive to continually create quality products designed to enhance your home. Visit us online to see our full line of products available for your home improvement needs. Thank you for choosing HDX!


Table of Contents

Table of Contents	2
Safety Information	2
Warranty	3
Pre-Operation	3
Tool Usage	3
Planning Operation	4
Specifications	4
Package Contents	5


Operation	7
Maintenance	9
Troubleshooting	9
Service Parts	11

Safety Information


Ensure that all users have read all safety rules and operating instructions carefully before using this product. Keep this guide in a safe place for future reference.




WARNING: RISK OF EXPLOSION OR FIRE. Do not spray flammable liquids in a confined area. It is normal for the motor and pressure switch to produce sparks while operating. If sparks come into contact with vapors from gasoline or other solvents, they may ignite and cause a fire or an explosion. Do not smoke while spraying. Do not spray where sparks or flames are present. Keep the air compressor as far away from the spraying area as possible. Always operate the air compressor in a well-ventilated area.




WARNING: RISK OF ELECTRIC SHOCK. All wiring must be installed by a licensed electrician, in accordance with all local and national codes. In order to avoid electric shock, do not use an electric air compressor outdoors when it is raining or on a wet surface.




WARNING: RISK OF BURSTING. Rust can weaken the tank. Drain the condensed water from the tank after each use in order to reduce rusting. Welding or making modifications to the air tank can severely diminish the strength of the tank, and could cause an extremely hazardous condition. Do not weld, drill, or modify the air tank. If a leak is detected in the tank, replace the tank immediately.




WARNING: RISK OF INJURY. Be sure to shut off the air compressor and unplug it from the outlet. Bleed all pressure from the system before servicing the air compressor or when it is not in use. Do not use the air compressor with the shrouds removed. Contact with moving parts could cause serious injury.




WARNING: RISK OF BURSTING. Check the maximum pressure rating in the manual or the serial number label. The compressor outlet pressure must be regulated so that it does not exceed the maximum pressure rating. Relieve all pressure in the hose before removing or attaching accessories.




WARNING: RISK OF BURSTING. Do not adjust the pressure switch or relief valve for any reason. They have been preset at the factory for this air compressor's maximum pressure. Tampering with the pressure switch or the relief valve may cause personal injury or property damage.




WARNING: RISK OF BURNS. The pump and the manifold generate high temperatures. In order to avoid burns or other injuries, do not touch the pump, the manifold, or the transfer tube while the air compressor is running. Allow the parts to cool down before handling or servicing. Keep children away from the air compressor at all times.




WARNING: RISK TO BREATHING. Carefully read all labels when you are spraying paints or toxic materials, and follow the safety instructions. Use a respirator mask if there is a chance of inhaling anything that is being sprayed. Do not directly inhale the compressed air produced by an air compressor.




WARNING: RISK OF EYE INJURY. Wear ANSI Z87.1 approved safety goggles when using an air compressor. Do not point any nozzle or sprayer toward a person or any part of the body. Serious injury may occur if the spray penetrates the skin.




WARNING: Do not exceed the maximum working pressure of the compressor.




WARNING: Do not attempt to open the drain valve when there is more than 10 PSI of air pressure in the tank.



CAUTION: Pull the pressure relief valve ring every day in order to ensure that the valve is functioning properly.




CAUTION: The air compressor must be located in a well-ventilated area for cooling, and must be a minimum of 12 in. (31 cm) away from the nearest wall.



CAUTION: Protect the air hose and the power cord from damage and puncture. Inspect them for weak or worn spots every week, and replace them if necessary.



CAUTION: Always wear hearing protection when using an air compressor. Failure to do so may result in hearing loss.



CAUTION: Do not operate the air compressor if it is not in a stable position. Do not operate the air compressor on a rooftop or an elevated position that could allow the unit to fall or be tipped over.

Warranty

1-YEAR LIMITED WARRANTY

This product is guaranteed for a period of one year from the date of original retail purchase against defects in materials and workmanship. Subject to the conditions and limitations described below, this product, if returned to us with proof of purchase within the stated warranty period and if covered under this warranty, will be repaired or replaced (with the same model, or one of equal value or specification), at our option. We will bear the cost of any repair or replacement and any costs of labor relating thereto. This warranty is subject to the following conditions and limitations:




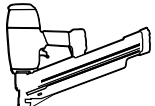
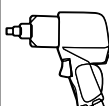
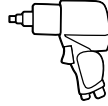

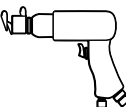





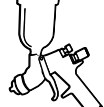
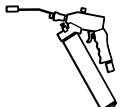
- A. A bill of sale verifying the purchase and purchase date must be provided;
- B. This warranty will not apply to any product or part there of which is worn or broken or which has become inoperative due to abuse, misuse, accidental damage, neglect or lack of proper installation, operation or maintenance (as outlined in the applicable owner's manual or operating instructions) or which is being used for industrial, professional, commercial or rental purposes;
- C. This warranty will not apply to normal wear and tear or to expendable parts or accessories that may be supplied with the product which are expected to become inoperative or unusable after a reasonable period of use;
- D. This warranty will not apply to routine maintenance and consumable items such as, but not limited to, fuel, lubricants, vacuum bags, blades, belts, sandpaper, bits, fluids, tune-ups or adjustments;
- E. This warranty will not apply where damage is caused by repairs made or attempted by others (i.e. persons not authorized by the manufacturer);
- F. This warranty will not apply to any product that was sold to the original purchaser as a reconditioned or refurbished product (unless otherwise specified in writing);
- G. This warranty will not apply to any product or part thereof if any part from another manufacturer is installed therein or any repairs or alterations have been made or attempted by unauthorized persons;
- H. This warranty will not apply to normal deterioration of the exterior finish, such as, but not limited to, scratches, dents, paint chips, or to any corrosion or discoloring by heat, abrasive and chemical cleaners; and
- I. This warranty will not apply to component parts sold by and identified as the product of another company, which shall be covered under the product manufacturer's warranty, if any.

Contact the Customer Service Team at 1-800-514-6729 or visit www.HomeDepot.com.

Pre-Operation

TOOL USAGE

○ = Continuous ◐ = Intermittent ○ = Not Recommended

Tool	Inflation	Finish nailing		Framing/Roofing	Bolting										
								Inflator	Brad nailer	Stapler	Framing/Roofing nailer	Impact wrench	Heavy duty 1/2 in. and 3/4 in. impact wrench	Air ratchet	
Recommended Tool Use	○	○	○	○	○	○	○								
Tool	Cutting/Drilling			Surface Prep		Painting	HVLP Painting	Grease Gun							
									Air hammer	Cut off tool	Drill/ Impact driver	Sander	Grinder	Paint gun	Paint gun
Recommended Tool Use	○	○	○	○	○	○	○	◐							

Pre-Operation (continued)

PLANNING OPERATION

This air compressor is ideal for a number of light-duty applications such as inflation and cleaning. The small 3-gallon tank is lightweight for easy portability. It features an oil-less pump for low maintenance and comes standard with a 25 ft. coil hose and a 12-piece accessory kit for immediate use out of the box.

Always use appropriately matched air tools with your air compressor. Ensure the air compressor being used can supply the appropriate volume, pressure, and delivery rate of air to the tool(s) without running continuously. Using tools or combinations of tools that together or separately require more than the air compressor can deliver will void the compressor guarantee/warranty.

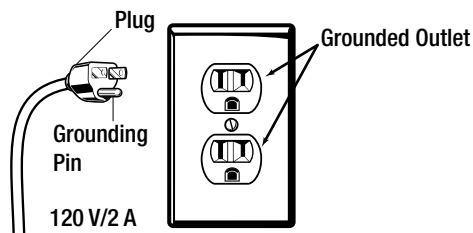
EXTENSION CORDS



WARNING: If the compressor is used outdoors, only use extension cords that are intended for outdoor use only.

Avoid the use of extension cords whenever possible. If you must use an extension cord, it must have a minimum wire size of 12 AWG and must be no longer than 50 ft. (15 m). Use only a 3-wire extension cord that has a 3-pronged grounding plug and plug it into a 3-holed outlet that is suitable for the compressor's plug.

WHENEVER POSSIBLE, UTILIZE A LONGER AIR HOSE INSTEAD OF AN EXTENSION CORD.



SPECIFICATIONS

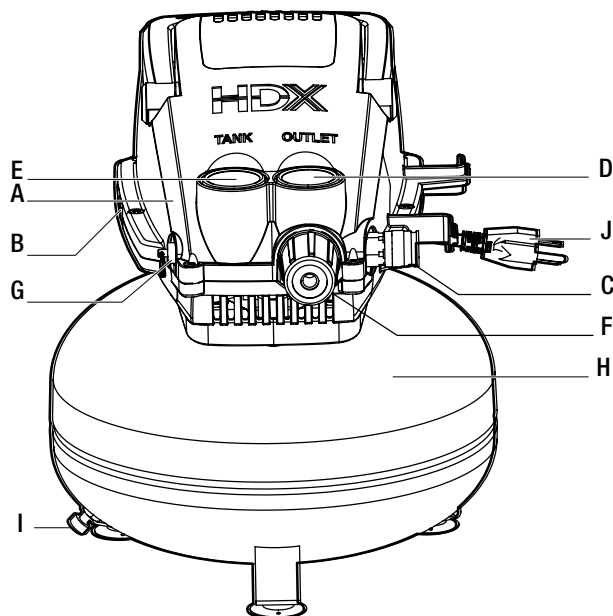


WARNING: Do not exceed the maximum working pressure of the tool.

Pump	Direct drive, oil-less
Peak Horsepower	0.33 HP
Motor	0.33 HP DC Motor
Power	120V/60Hz/2A
Air Tank Capacity	3 Gallons
Cut-In Pressure	70 PSI
Cut-Out Pressure	100 PSI
Air delivery (SCFM) @ 40 PSI	0.7
Air delivery (SCFM) @ 90 PSI	0.5
Power Cord	18 AWG / 72 in. (1.83 m)

Pre-Operation (continued)

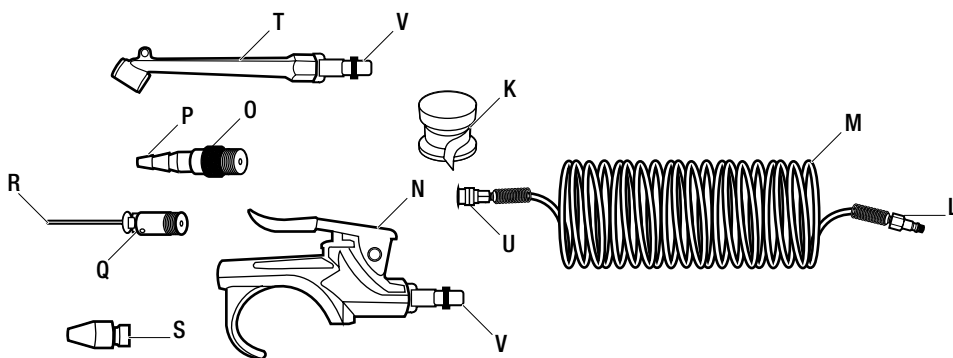
PACKAGE CONTENTS



Part	Description	Quantity
A	ELECTRIC MOTOR: Powers the pump. AIR COMPRESSOR PUMP: Compresses the air and discharges it into the tank via the piston moving up and down in the cylinder.	1
B	On/Off Switch – Turns the air compressor on and off. When the switch is in the ON position, it allows the motor to start if the pressure in the air tank is below the factory set 'cut-in' pressure, and allows the motor to stop if the pressure in the air tank reaches the factory set 'cut-out' pressure. Set this switch to the OFF position when the air compressor is not being used and before unplugging the air compressor.	1
C	Quick Coupler	1
D	Regulated Pressure Gauge – Displays the current line pressure. It is regulated by the regulator knobs.	1
E	Tank Pressure Gauge – Indicates tank pressure in PSI.	1
F	Air Pressure Regulator – Adjusts the line pressure to the proper amount needed to operate spray gun or other air tools.	1
G	Pressure Relief Valve – Prevents system failure by draining pressure from the system when it reaches a preset level if the pressure switch has not shut down the motor. It will pop open automatically, or it can be activated manually by pulling the ring on the valve.	1
H	Air Tank – Stores the compressed air.	1
I	Air Tank Drain Valve – Removes moisture from the air tank after the compressor is shut off.	1
J	Power Cord – This air compressor should be used on a nominal 115 V grounded circuit. Use a power cord that is equipped with a grounding plug. Verify that the air compressor is plugged into an outlet that has the same configuration as the plug. Do not use an adapter with this air compressor.	1

Pre-Operation (continued)

PACKAGE CONTENTS



Part	Description	Quantity
K	Sealant Tape	1
L	¼ in. Female Plug	1
M	25 ft. Coil Air Hose	1
N	Blow Gun	1
O	Blow Gun Adapter	1
P	Tapered Nozzle	1
Q	Safety Nozzle	1
R	Inflation Needle	1
S	Rubber Tip Nozzle	1
T	Dual Tire Chuck	1
U	¼ in. Female Quick Coupler	1
V	¼ in. Male Plug	2

Operation

1 Starting the air compressor

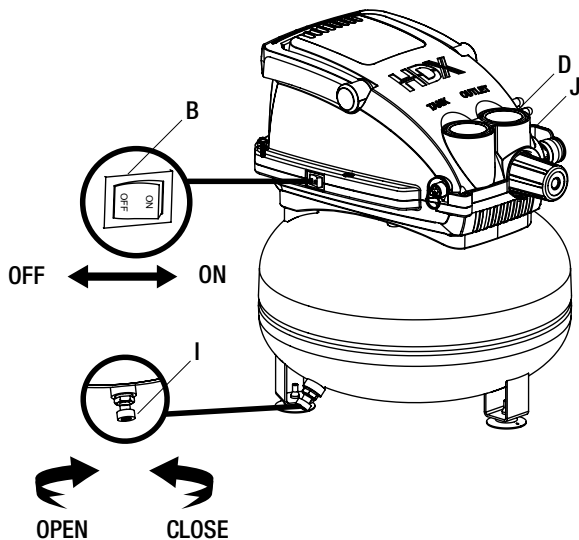


WARNING: High temperatures are generated by the electric motor and the pump. To prevent burns or other injuries, DO NOT touch the air compressor while it is running. Allow it to cool before handling or servicing. Keep children away from the air compressor at all times.



WARNING: When adjusting from a higher to a lower pressure, turn the knob counterclockwise past the desired setting; then, turn clockwise to reach the desired pressure. Do not exceed the operating pressure of the tool or accessory being used.

- Close the tank drain valve (I) by turning in a clockwise direction.
- Plug in the power cord (J).
- Turn the ON/OFF switch (B) to the ON position.
- Adjust the regulated pressure gauge (D) to the working pressure of the tool.

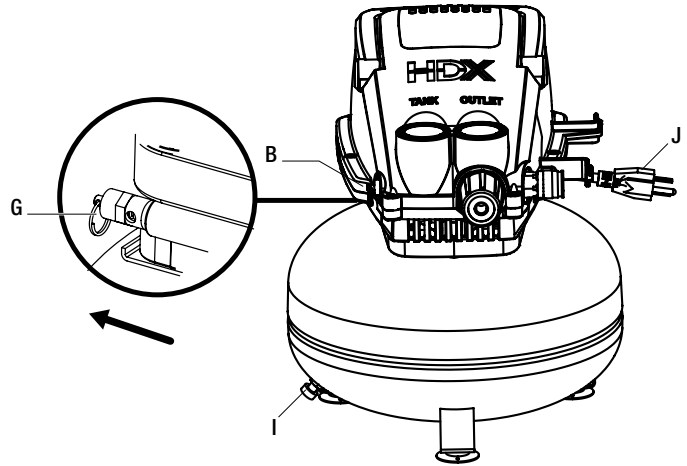


2 Shutting down the air compressor



CAUTION: Escaping air and moisture can propel debris that may cause eye injury. Wear safety goggles when opening drain valve.

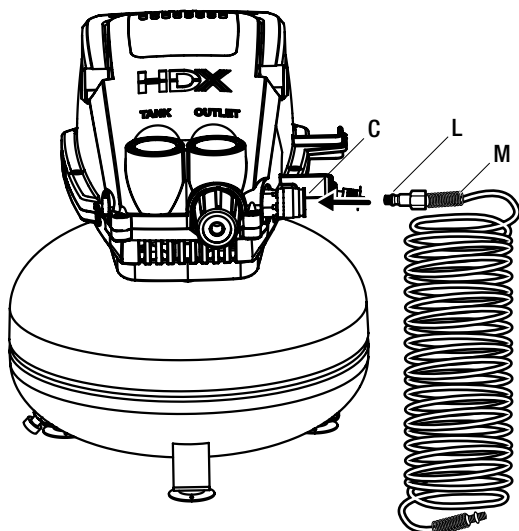
- Turn the ON/OFF switch (B) to the OFF position.
- Unplug the power cord (J).
- Reduce the pressure in the tank through the outlet hose. You can also pull the pressure relief valve ring (G) and keep it open to relieve pressure in the tank.
- Tip the air compressor (if necessary for your model) so the air tank drain valve (I) is at the bottom of the tank. Then open the tank drain valve (I) to allow moisture to drain from the tank.



Operation

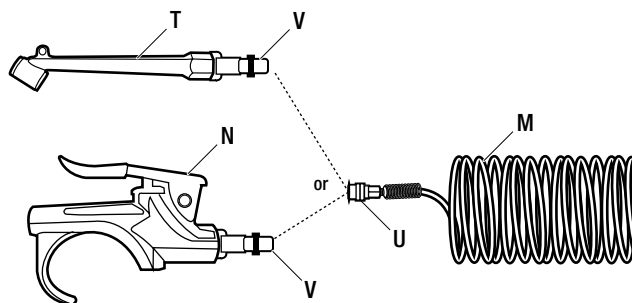
3 Connecting the air hose

- Attach the ¼ in. female plug (L) end of the air hose (M) into the quick coupler (C).
- Secure the connections with sealant tape (K) to prevent air leaks.



4 Attaching accessories directly to the air hose

- If using air tools (not included), attach air tools to the ¼ in. female quick coupler (U) end of the air hose (M).
- If using the blow gun (N) or dual tire chuck (T), connect these accessories directly to the air hose (M) using the pre-attached male plugs (V).
- Secure connections with sealant tape (K) if necessary.

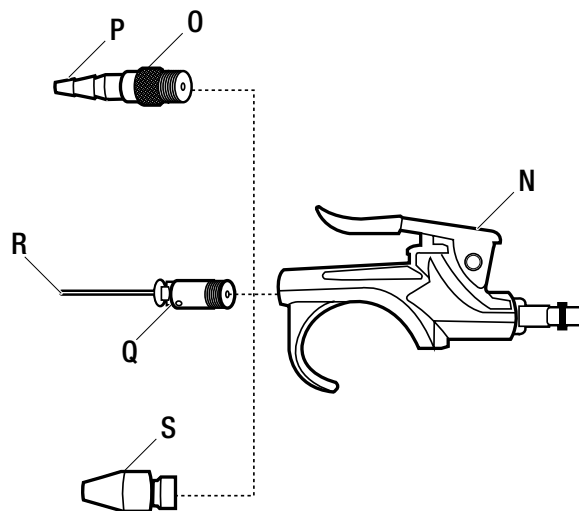


5 Connecting accessories to the blow gun



WARNING: To avoid personal injury, always reduce the regulator to lower pressure before changing accessories.

- If using the tapered nozzle (P), connect the pre-attached blow gun adapter (O) at the end of the tapered nozzle (P) to the blow gun (N).
- If using the inflation needle (R), connect the pre-attached safety nozzle (Q) at the end of the inflation needle (R).
- If using the rubber tip nozzle (S), connect it directly to the blow gun (N).
- Secure all connections with sealant tape (K) to prevent leaks.



Maintenance



WARNING: To avoid personal injury, always shut off and unplug the unit and relieve all air pressure from the system before performing any service on the air compressor.

- Through normal operation of your air compressor, condensation water will accumulate in the tank. To prevent corrosion of the tank from the inside, condensation must be drained at the end of every workday. Be sure to wear protective goggles. Relieve the air pressure in the system and open the drain valve on the bottom of the tank to drain. In cold conditions, it is especially important to drain the tank after each use to reduce the chance of problems resulting from the freezing of condensation water.
- Pull/activate the relief valve daily to ensure that it is operating properly and to clear the valve of any possible obstructions.
- On a monthly basis, check that all connections are tight. Small leaks in any of the tank, hoses, connections, or transfer tubes will substantially reduce the air compressor and tool performance. Spray a small amount of soapy water around the area of suspected leaks with a spray bottle. If bubbles appear, repair, replace or re-seal the faulty component. Do not over tighten any connections.
- Before storing the unit for a long period, use an air blow gun to clean all dust and debris from the air compressor. Disconnect and coil the power cord up. Drain all moisture from the tank. Pull the pressure relief valve to release all pressure from the tank. Cover the entire unit to protect it from moisture and dust.

Troubleshooting



WARNING: If any of the following symptoms appears while operating the tool, stop using the tool immediately, or serious personal injury could result. Only an authorized service center should perform repairs on this tool.



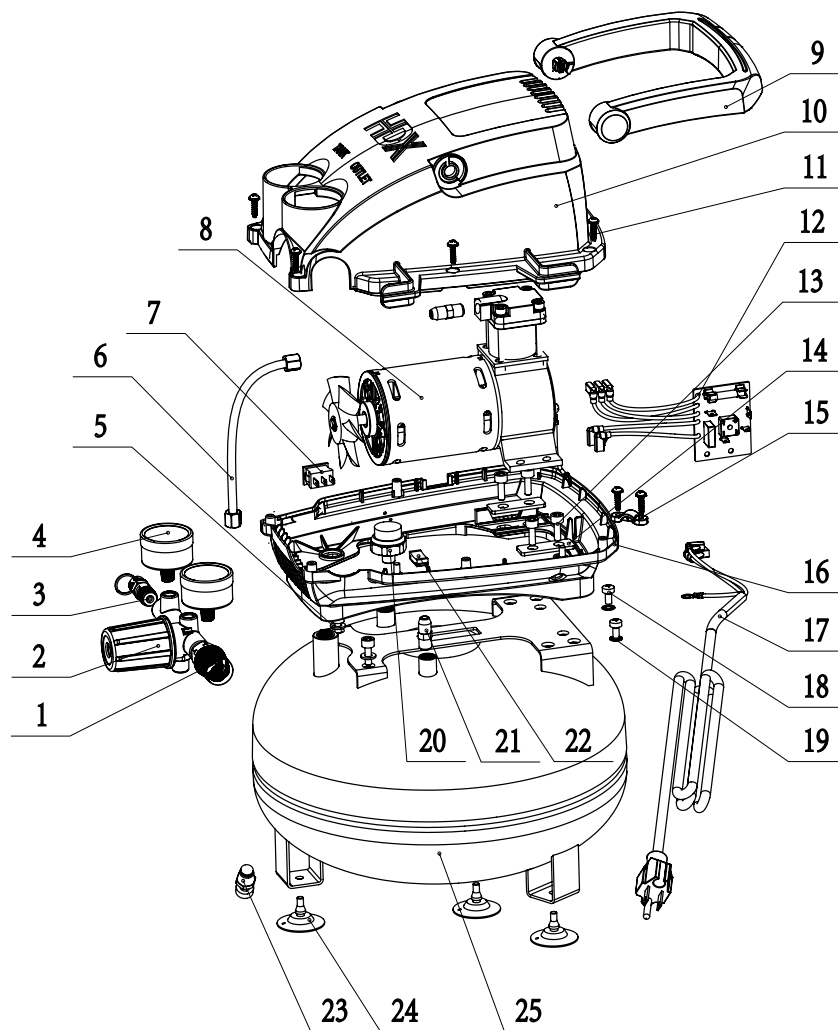
WARNING: Disconnect the electrical plug and disconnect any tools from the air supply before attempting any adjustment.

Problem	Possible Cause	Solution
The compressor motor will not run or start.	<ul style="list-style-type: none"> □ The power cord is not plugged in. □ The pressure switch is in the OFF position. □ Wrong gauge wire or length of extension cord. □ The fuse is blown or the circuit breaker is tripped. □ The air tank pressure exceeds the preset pressure switch limit. □ The check valve is stuck open. □ The electrical connections are loose. □ There is a possible defective motor. 	<ul style="list-style-type: none"> □ Plug the cord into a grounded outlet. □ Turn the switch to the ON or AUTO position. □ Check the specifications for proper gauge wire and cord length. □ Replace the fuse or reset the circuit breaker. □ Check for proper fuse amperage. □ Check for low voltage conditions. □ Disconnect any other electrical appliances from the circuit or operate the air compressor on a dedicated circuit. □ The motor will start automatically when the tank pressure drops below the cut-in pressure of the pressure tank. □ Remove and clean or replace. □ Contact an authorized service center or store. □ Contact an authorized service center or store.

Troubleshooting (continued)

Problem	Possible Cause	Solution
The motor hums but cannot run, or runs slowly.	<ul style="list-style-type: none"> <input type="checkbox"/> The voltage is low. <input type="checkbox"/> The unit is plugged into an extension cord. <input type="checkbox"/> There is a shorted, or open motor winding. <input type="checkbox"/> The check valve is defective. 	<ul style="list-style-type: none"> <input type="checkbox"/> Check the power source (outlet or generator) with a volt meter. <input type="checkbox"/> Remove the extension cord. Tip: It is better to use a longer hose instead of an extension cord. <input type="checkbox"/> Contact an authorized service center or store. Motor replacement may be required. <input type="checkbox"/> Contact an authorized service center or store. Parts may require replacement.
The fuses blow/ circuit breaker trips repeatedly.	<ul style="list-style-type: none"> <input type="checkbox"/> There is an incorrectly sized fuse or circuit and the circuit is overloaded. <input type="checkbox"/> The circuit is overloaded. <input type="checkbox"/> The unit is plugged into an extension cord. <input type="checkbox"/> The check valve is defective. 	<ul style="list-style-type: none"> <input type="checkbox"/> Check for a proper fuse or breaker. Use a time-delay fuse of the proper size. Disconnect other electrical appliances from the circuit or operate the air compressor on its own branch circuit. <input type="checkbox"/> Disconnect any other electrical appliances from the circuit or operate the compressor on its own dedicated circuit. <input type="checkbox"/> Remove the extension cord. Tip: It is better to use a longer hose instead of an extension cord. <input type="checkbox"/> Contact an authorized service center or store. Parts may require replacement.
The motor runs continuously.	<ul style="list-style-type: none"> <input type="checkbox"/> The pressure switch does not shut off the motor when the air compressor reaches the cut-out pressure and the safety relief valve activates. <input type="checkbox"/> The air compressor is not large enough. 	<ul style="list-style-type: none"> <input type="checkbox"/> Move the pressure switch to the OFF position. If the motor does not shut off, unplug the air compressor. Contact an authorized service center or store. <input type="checkbox"/> Check the air requirement of accessory used. If it is higher than SCFM and the pressure supplied by the compressor, a larger compressor is needed. Most accessories are rated at 25% of actual SCFM while running continuously.
The regulator does not regulate pressure.	<ul style="list-style-type: none"> <input type="checkbox"/> There are dirty or damaged regulator internal parts. 	<ul style="list-style-type: none"> <input type="checkbox"/> Replace the regulator. Contact an authorized service center or store.
There is low pressure or not enough air.	<ul style="list-style-type: none"> <input type="checkbox"/> The fittings leak. <input type="checkbox"/> The tank drain valve is open. <input type="checkbox"/> The air intake is restricted. <input type="checkbox"/> There is prolonged and excessive use of air. <input type="checkbox"/> There is a hole in the air hose. <input type="checkbox"/> The tank leaks. <input type="checkbox"/> The valve leaks. 	<ul style="list-style-type: none"> <input type="checkbox"/> Check the fittings with soapy water. Tighten or reseal the leaking fittings. Do not over tighten. <input type="checkbox"/> Close the drain valve. <input type="checkbox"/> Clean or replace the air filter element. <input type="checkbox"/> Decrease the amount of air used. <input type="checkbox"/> Check and replace if necessary. <input type="checkbox"/> Replace the unit immediately. DO NOT attempt to repair. <input type="checkbox"/> Check and replace worn parts.
There is excessive moisture in the discharge air.	<ul style="list-style-type: none"> <input type="checkbox"/> There is excessive water in the air tank. <input type="checkbox"/> The humidity is high. 	<ul style="list-style-type: none"> <input type="checkbox"/> Drain the tank. <input type="checkbox"/> Move the air compressor an area of lower humidity or install an in-line air filter.

Service Parts



Part	Description	Quantity
1	Quick Coupler	1
2	Regulator	1
3	Relief Valve	1
4	Pressure Gauge	2
5	Washer	2
6	Transfer Tube	1
7	On/Off Switch	1
8	Pump & Motor Assembly	1
9	Handle	1
10	Top Housing	1
11	Screw, 3.9 × 17	8
12	Circuit Board	1
13	Hex Bolt	6

Part	Description	Quantity
14	Rubber Pad	2
15	Cord Clamp	1
16	Bottom Housing	1
17	Power Cord	1
18	Screw M5 × 8	2
19	Spring Washer	2
20	Pressure Switch	1
21	Fitting Pipe	2
22	Washer	1
23	Drain Valve	1
24	Rubber Foot	3
25	Tank	1



Questions, problems, missing parts? Before returning to the store,
call HDX Customer Service
8 a.m. - 6 p.m., EST, Monday - Friday

1-800-514-6729

HOMEDEPOT.COM

Retain this manual for future use.

Free Manuals Download Website

<http://myh66.com>

<http://usermanuals.us>

<http://www.somanuals.com>

<http://www.4manuals.cc>

<http://www.manual-lib.com>

<http://www.404manual.com>

<http://www.luxmanual.com>

<http://aubethermostatmanual.com>

Golf course search by state

<http://golfingnear.com>

Email search by domain

<http://emailbydomain.com>

Auto manuals search

<http://auto.somanuals.com>

TV manuals search

<http://tv.somanuals.com>