



Profile

OPAL ICE MAKER

SAFETY INFORMATION3

PARTS INCLUDED5

GETTING STARTED6

CARE AND CLEANING7

DISPLAY SETTINGS10

MAKING ICE..... 11

DRAINING 11

WATER FILTER..... 11

SIDE TANK ACCESSORY12

TROUBLESHOOTING.....15

ICE MAKER PRODUCT SPECIFICATIONS16

LIMITED WARRANTY19

CONSUMER SUPPORT 20

OWNER'S MANUAL

- OPAL01GEPKT
- OPAL01GEPSS
- OPAL01GENKT
- OPAL01GENSS

ENGLISH/FRANÇAIS/ ESPAÑOL

Write the model and serial numbers here:

Model # _____

Serial # _____

Find these numbers on a label on the back of the unit.



THANK YOU FOR MAKING GE APPLIANCES A PART OF YOUR HOME.

Whether you grew up with GE Appliances, or this is your first, we're happy to have you in the family.

We take pride in the craftsmanship, innovation and design that goes into every GE Appliances product, and we think you will too. Among other things, registration of your appliance ensures that we can deliver important product information and warranty details when you need them.

The Good Ice™

IMPORTANT SAFETY INFORMATION

READ ALL INSTRUCTIONS BEFORE USING THE APPLIANCE

⚠ WARNING To reduce the risk of fire, explosion, electric shock, exposure to UV radiation, or injury when using your Opal, follow these basic safety precautions.

- Do not, under any circumstances, alter or remove the third (ground) prong from the power cord. For personal safety, this product must be properly grounded.
- Do not exceed power outlet ratings. It is recommended that the ice maker is connected to its own circuit. Use only a 115 V, 60 Hz standard electrical supply that is properly grounded in accordance with the National Electric Code and local codes and ordinances.
- Due to potential safety hazards under certain conditions, we strongly advise against the use of an extension cord. However, if you must use an extension cord, it is absolutely necessary that it is a UL-listed, 3-wire ground type appliance extension cord having a grounding type plug and that the electrical rating of the cord be 15 Amperes (minimum) and 120 Volts.
- This product must be properly installed and located in accordance with the installation instructions before it is used. Product is for indoor household use only. Do not use outdoors.
- Do not store or use flammable vapors or liquids near this product.
- Do not allow children to climb, stand, or hang on the ice maker. They could seriously injure themselves.
- Do not look directly at UV lamp when it is operating. The light emitted by the lamp will cause serious eye damage and burn unprotected skin.
- In order to avoid exposure to UV radiation, disconnect power to the ice maker before removing the external covers.
- Do not use with water that is micro-biologically unsafe or of unknown quality.
- Place power cord in such a way that it cannot be pulled on by children or cause a tripping hazard.
- Place power cord in such a way that it is not in contact with hot surfaces.
- Do not operate if any component, including the cord or plug, is damaged.
- Unplug the product before cleaning by hand and when not in use.
- Do not immerse any part of the product in water.
- Do not plug or unplug product with wet hands.
- Do not attempt to disassemble, repair, modify, or replace any part of your product.
- Use this product only for its intended purpose as described in this user manual.
- Do not use any accessories not recommended by the manufacturer.
- When handling, installing, and operating the appliance, care should be taken to avoid damage to the refrigerant tubing.
- Servicing shall be performed by factory authorized service personnel and component parts shall be replaced with manufacturer authorized replacement components.

⚠ CAUTION To reduce the risk of injury when using your Opal, follow these basic safety precautions.

- Do not remove any safety, warning, or product information labels from your ice maker.
- Lifting Hazard: It is recommended to have two people move and install the ice maker in order to prevent injury.

⚠ WARNING  **FIRE OR EXPLOSION HAZARD Flammable Refrigerant**

This appliance contains isobutane refrigerant, also known as R600a, a natural gas with high environmental compatibility. However, it is also combustible. Adhere to the warnings below to reduce the risk of injury or property damage.

1. When handling, installing, and operating the appliance, care should be taken to avoid damage to the refrigerant tubing.
2. Service shall only be performed by authorized service personnel. Use only manufacturer-authorized service parts.
3. Dispose of refrigerator in accordance with Federal and Local Regulations. The flammable refrigerant and insulation material used in this product require special disposal procedures. Contact your local authorities for the environmentally safe disposal of your refrigerator.
4. Keep ventilation openings in the appliance enclosures or in the built-in structure clear of obstruction.
5. To remove frost, scrape with a plastic or wood spatula or scraper. Do not use an ice pick or a metal or sharp-edged instrument as it may puncture the freezer liner and then the flammable refrigerant tubing behind it.
6. Do not use electrical appliances inside the food storage compartment of the appliance.
7. Do not use any electrical device to defrost your appliance

READ AND SAVE THESE INSTRUCTIONS

CONSIGNES DE SÉCURITÉ IMPORTANTES

LISEZ, SUIVRE, ET CONSERVER CES INSTRUCTIONS

⚠ AVERTISSEMENT

Pour réduire le risque d'incendie, d'explosion, de choc électrique, d'exposition aux rayons UV ou de blessure lors de l'utilisation de votre Opal, observez les consignes de sécurité élémentaires suivantes.

- En cas, vous ne devez modifier ni retirer la troisième broche (terre) du cordon électrique. Pour votre sécurité, ce produit doit être correctement mis à la terre.
- N'excédez pas les valeurs nominales de la prise électrique. Nous recommandons que la machine à glaçons soit branchée à son propre circuit. Utilisez uniquement une alimentation électrique standard de 115 V, 60 Hz, correctement mise à la terre conformément au code national de l'électricité et aux codes et règlements locaux en vigueur.
- En raison de risques potentiels pour la sécurité dans certaines conditions, nous vous mettons fortement en garde contre l'utilisation d'un cordon prolongateur. Si toutefois vous devez utiliser un cordon prolongateur, celui-ci doit présenter les caractéristiques suivantes : type pour électroménagers à trois broches avec mise à la terre, fiche avec mise à la terre, homologation UL, valeurs nominales de 15 ampères (minimum) et 120 volts.
- Ce produit doit être installé correctement et placé conformément aux instructions d'installation avant son utilisation. Ce produit est destiné à un usage domestique à l'intérieur seulement. Ne l'utilisez pas à l'extérieur.
- Ne rangez ni n'utilisez des vapeurs ou des liquides inflammables à proximité de ce produit.
- Ne permettez pas aux enfants de grimper sur la machine à glaçons, ni de s'y tenir ou s'y agripper. Ils pourraient se blesser gravement.
- Ne regardez pas la lampe UV directement lorsqu'elle est allumée. La lumière émise par la lampe peut causer des lésions sévères aux yeux ou brûler la peau non protégée.
- Afin de prévenir l'exposition aux radiations UV, débranchez l'alimentation électrique à la machine à glaçons avant de retirer les couvercles extérieurs.
- N'utilisez pas d'eau impropre à la consommation ou de qualité douteuse sur le plan microbiologique.
- Placez le cordon électrique de façon qu'il ne soit pas tiré par les enfants et qu'il ne pose pas un risque de trébuchement.
- Placez le cordon électrique de façon qu'il ne touche pas aux surfaces chaudes.
- Ne faites pas fonctionner l'appareil si un de ses composants, cordon et fiche inclus, est endommagé.
- Débranchez le produit avant de le nettoyer à la main ou lorsqu'il n'est pas utilisé.
- N'immergez aucune pièce de ce produit dans l'eau.
- Ne branchez ni ne débranchez le produit avec les mains mouillées.
- Ne tentez pas de démonter, réparer, modifier ou remplacer une pièce quelconque de ce produit.
- Utilisez ce produit uniquement aux fins auxquelles il est destiné qui sont décrites dans ce manuel d'utilisation.
- N'utilisez aucun accessoire qui n'est pas recommandé par le fabricant.
- Lors de la manipulation, de l'installation et de l'utilisation de l'appareil, veillez à ne pas endommager le tube de réfrigérant.
- L'entretien doit être effectué par du personnel de service autorisé par l'usine et les composants doivent être remplacés par des pièces de rechange autorisées par le fabricant.

⚠ ATTENTION

Pour réduire le risque de blessure lors de l'utilisation de votre Opal, observez les consignes de sécurité élémentaires suivantes

- Ne retirez aucune étiquette apposée sur la machine à glaçons qui présente des renseignements sur la sécurité, les avertissements ou le produit.
- Risque associé à une charge lourde : Nous recommandons que deux personnes déplacent et installent la machine à glaçons afin de prévenir les blessures.

⚠ AVERTISSEMENT



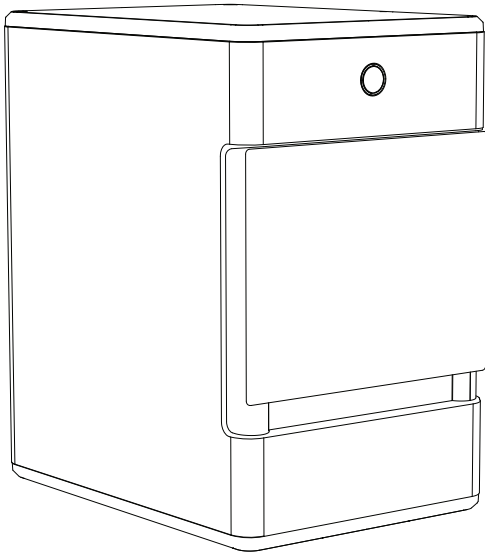
RISQUE D'INCENDIE OU D'EXPLOSION Fluide frigorigène inflammable

Cet électroménager contient le réfrigérant isobutane, aussi connu comme R600a, un gaz naturel à compatibilité élevée avec l'environnement. Il s'agit cependant d'un combustible. Observez les consignes de sécurité ci-dessous afin de réduire le risque de blessure ou de dommage à la propriété.

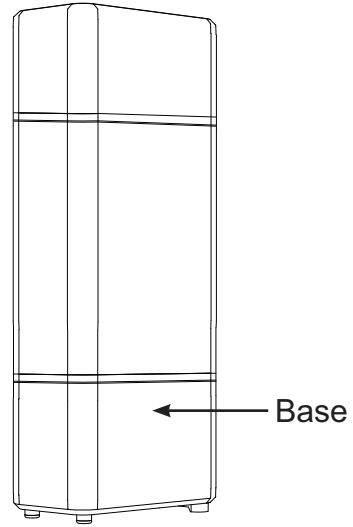
1. Lors de la manipulation, de l'installation et de l'utilisation de cet appareil, prenez soin de ne pas endommager les tubes de circulation du fluide frigorigène.
2. L'entretien ou la réparation doivent être effectués par un personnel de service autorisé. Utilisez seulement des pièces de rechange autorisées par le fabricant.
3. Mettez le réfrigérateur au rebut conformément aux réglementations fédérales et locales. Le fluide frigorigène inflammable et le matériel isolant utilisés nécessitent des procédures de mise au rebut spéciales. Communiquez avec les autorités locales compétentes pour la mise au rebut de votre réfrigérateur sans danger pour l'environnement.
4. N'obstruez pas les événements dans l'enceinte prévue pour l'appareil.
5. Pour retirer le givre, grattez à l'aide d'un grattoir ou d'une spatule en plastique ou en bois. N'utilisez pas un pic à glace ni un instrument métallique ou aux arêtes coupantes car il y a risque de percer la doublure du congélateur et la tubulure du réfrigérant inflammable derrière elle.
6. N'utilisez pas d'appareils électriques dans le compartiment réfrigérateur de cet appareil.
7. N'utilisez aucun appareil électrique pour dégivrer votre congélateur.

LISEZ, SUIVRE, ET CONSERVER CES INSTRUCTIONS

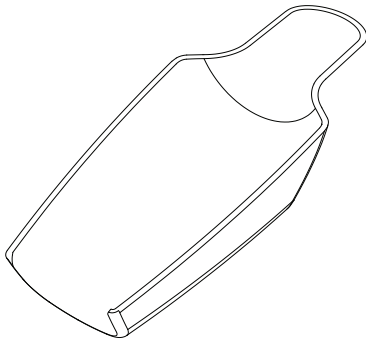
Parts Included



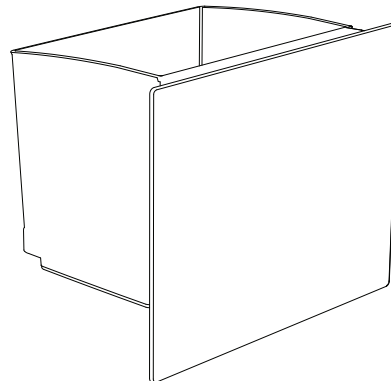
Opal Ice Maker



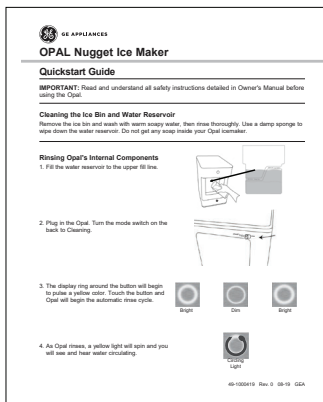
Side Tank Accessory
NOTE: Only included with models OPAL01GEPKT and OPAL01GENKT.



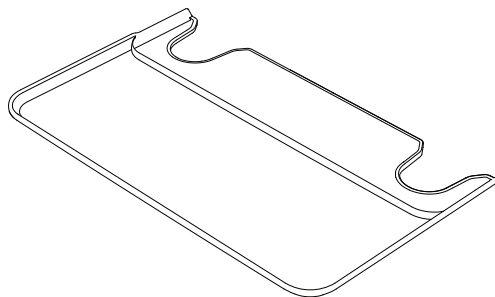
Ice Scoop



Ice Bin



Quick Start Guide



Drip Tray

Getting Started

Installation Requirements

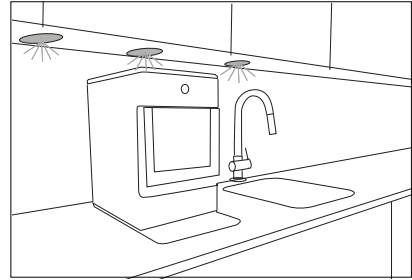
⚠ CAUTION **Lifting Hazard:** It is recommended to have two people move and install the ice maker in order to prevent injury.

- Product is designed to be installed indoors. Do not use your ice maker outdoors.
- Product must be installed upright on a flat, level surface that is able to support the total weight when full of water.
- Ensure a minimum of three inches (3") clearance around the side and back walls of the ice maker for proper air circulation.
- Install the product in a well-ventilated area with an ambient temperature between 55°F and 90°F.
- Do not place the product near heat sources such as ovens or cooktops.
- Do not place the product in direct sunlight.

Prepare Opal For Use

1. Carefully remove packing material. Do not use sharp tools that can damage the box contents.
2. Ensure all components are present. If any item is missing, please contact 1.866.907.6718.
3. Place the ice maker upright on a flat, level surface and plug it in.
4. Install drip tray by sliding it under the front edge of Opal. The tray slots should align with the front feet of Opal.
5. Rinse the ice maker with clean water for five minutes before first use. Start with step 4 of cleaning instructions on page 6. It is not necessary to use bleach for the first rinse.

⚠ NOTICE Some types of under-cabinet lamps can be hot enough to cause damage to your Opal top's appearance.



Connecting to Bluetooth

NOTE: Bluetooth is only available with models OPAL01GEPKT and OPAL01GEPSS

Easily pair your ice maker's built-in Bluetooth with the GE Profile Opal app to monitor device status and schedule fresh ice.

The GE Profile Opal app can be found and downloaded from the Apple App Store for your Apple device or the Google Play Store for your Android Device.

The app works with Android, iPhone 4s or newer, iPad Mini, and iPod Touch 5th generation and newer.

Simply download the app and connect via Bluetooth.



Care and Cleaning

To keep your nugget ice tasting fresh and your Opal looking great, we recommend cleaning/sanitizing your Opal at least once per week.

To clean the exterior of the ice maker, unplug the product, then use a soft cloth dampened with soapy water to gently clean the exterior surfaces. Dry with a soft cloth.

The exterior stainless steel surfaces can be cleaned with commercially available stainless steel cleaner. Use only a liquid cleaner free of grit and rub in the direction of the brush lines with a damp, soft sponge. Do not use appliance wax, polish, solvents, or chemicals on the stainless steel. Do not use soap to clean the reservoir. Use a soft cloth moistened with water.

⚠ WARNING Chemical Exposure Hazard, when cleaning with bleach, use bleach in a well ventilated area and avoid mixing bleach with other household cleaners.

⚠ WARNING Unplug the product before cleaning by hand, and when not in use.

System Cleaning / Sanitizing Procedure

To clean Opal's internal components, complete the following steps:

1. Unplug Opal.
2. Remove water filter (if present), and replace with the reservoir's screened intake cap. See Figure 1.
3. Drain Opal (see page 8 for detailed instructions).
4. Plug in Opal and slide the rear switch to the "clean" position. See figure 2.
5. The display ring will light up yellow and pulse. See figure 3.

NOTE: Do not use soap to clean the water reservoir.

6. Create a solution of five cups of water and one tsp household bleach. Skip to page 8 for further instructions on how to remove hard mineral deposits.

7. Pour solution into water reservoir. See figure 4.

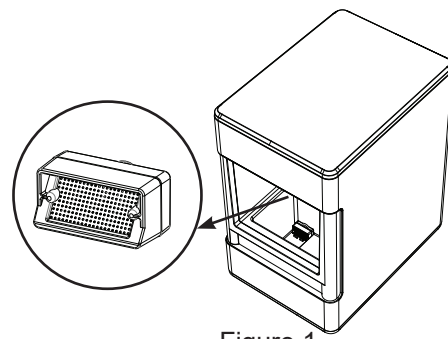


Figure 1

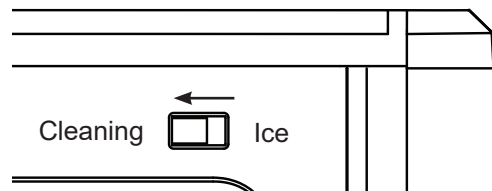


Figure 2

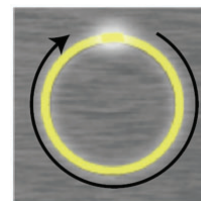


Figure 3

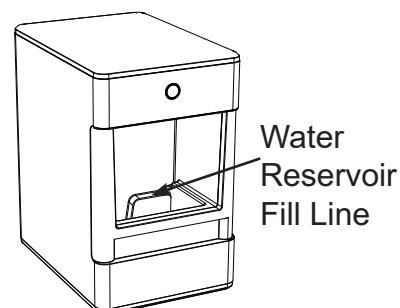
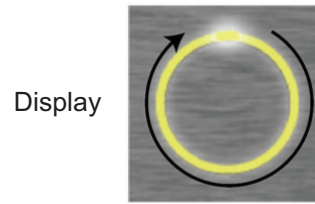


Figure 4

Care and Cleaning

System Cleaning / Sanitizing Procedure (continued)

8. Touch the display button to start the cleaning process, the light will start to spin and you will hear water circulating. After three minutes the water will stop and the light will begin to pulse again.



Display

9. When the light pulses, drain Opal.

10. Unhook the top of the drain hoses at the back of the unit. See figure 5.

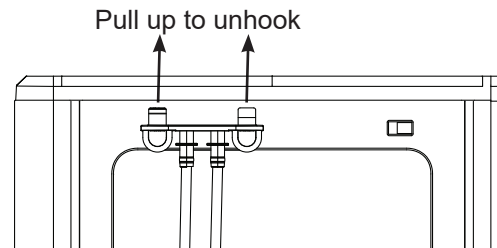


Figure 5

11. Then lay them down to drain into a sink or bucket that is below the level of the ice maker. See figure 6 and 7.

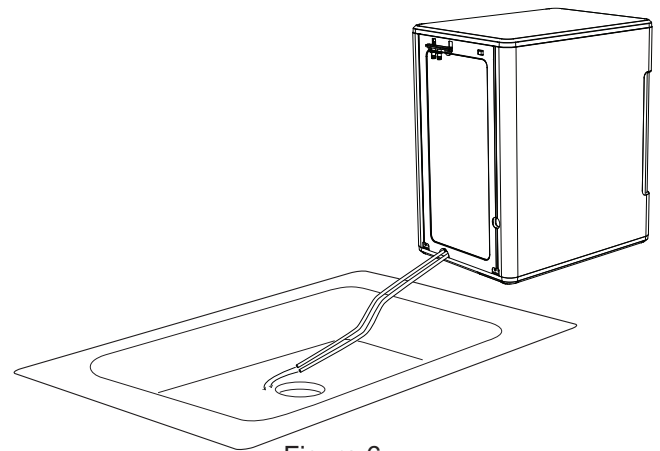


Figure 6

12. Remove the plugs and allow the water to completely drain. See figure 7.

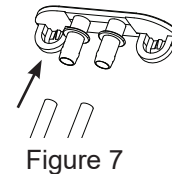


Figure 7

13. Once water stops flowing, re-insert the drain plugs.

14. Add five cups of fresh water to the water reservoir, and touch the button. The light ring is divided into four sections to indicated each stage. Successive quarters of the ring will become brighter with each rinse cycle.

15. Rinse three times with fresh water. Repeat steps 8 through 14 two more times, adding fresh water to the reservoir each time. (You may continue to repeat the rinse cycle, for as many times as you like.

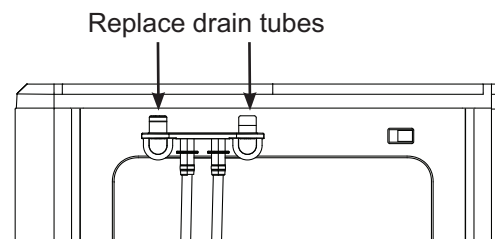


Figure 8

16. Replace drain tubes on back. See figure 8.

17. When complete, slide the rear switch back to "Ice" mode. See figure 9.

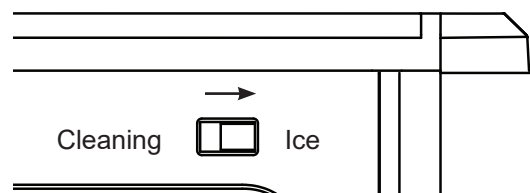


Figure 9

Care and Cleaning

Removal of Mineral Deposits

1. Fill the reservoir with white vinegar to the max fill line and run up to three cleaning cycles. Or purchase an Opal Cleaning Kit and follow instructions inside.
2. If using vinegar, leave the vinegar in the unit for 18 hours and set a vinegar-soaked towel on the ice chute overnight to further dissolve any mineral buildup. See figure 10.
3. Clean the sensors with vinegar and wipe clean with water. After draining the vinegar, run three rinse cycles, using fresh water for each rinse. See figures 11, 12, and 13 to reference location of the sensors. Appearance may vary based on model.

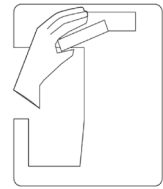


Figure 10

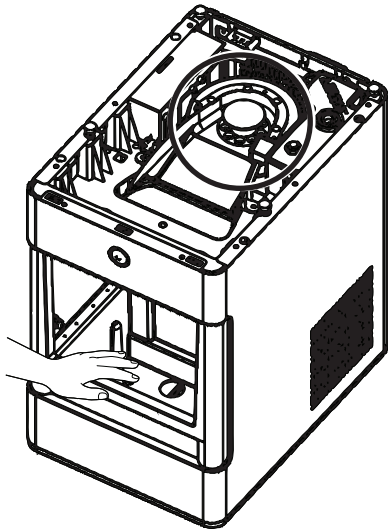


Figure 11

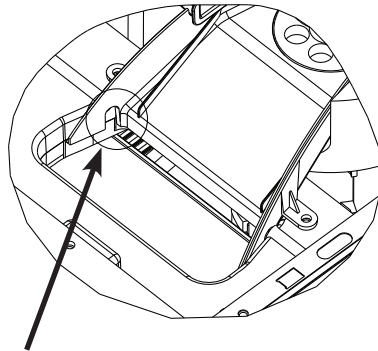


Figure 12

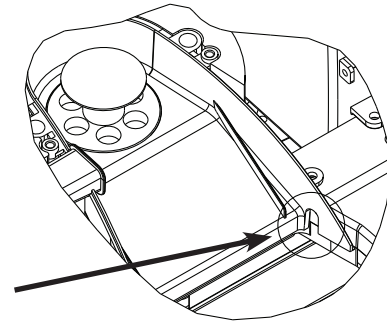


Figure 13

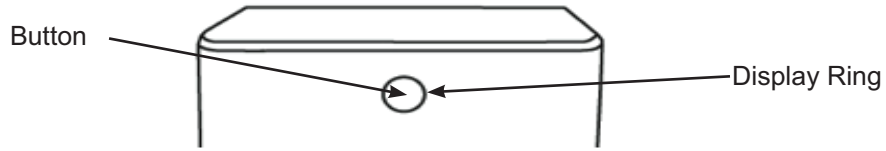
Cleaning the Bin and Tray

To clean the ice bin, remove the ice bin from the ice maker and clean with a soft cloth dampened with soapy water. Rinse thoroughly. Dry with a soft cloth. **Do not use solvents or chemicals.**

The drip tray should be wiped dry. Water left in this area may leave deposits. To clean the drip tray, remove the tray from Opal and use a soft cloth dampened with mild soapy water to gently clean the surface. Dry with a soft cloth. **Do not use solvents or chemicals.**

Understanding the display

Opal uses an innovative light ring to let you know what it is doing.



Button

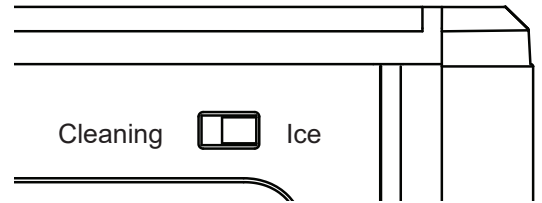
Touch once to turn Opal ON or OFF
 Touch and hold for 3 seconds to dim the interior lighting if desired.

Display Ring

Displays status of the Opal ice maker. See below for details.

Mode switch (located on back)

Switch in "Ice" position places Opal in ice making mode.
 Switch in "Cleaning" position places Opal in cleaning mode.



White

Falling White: Opal is currently making ice.

White

Solid white: Ice bin is full. Opal is no longer continuing to make ice.

White and blue

Switching blue: Opal needs more water

Yellow

Pulsing yellow: Opal is in cleaning mode, awaiting drain and refill confirmation

Yellow

Rotating yellow: Opal is rinsing (cleaning mode)

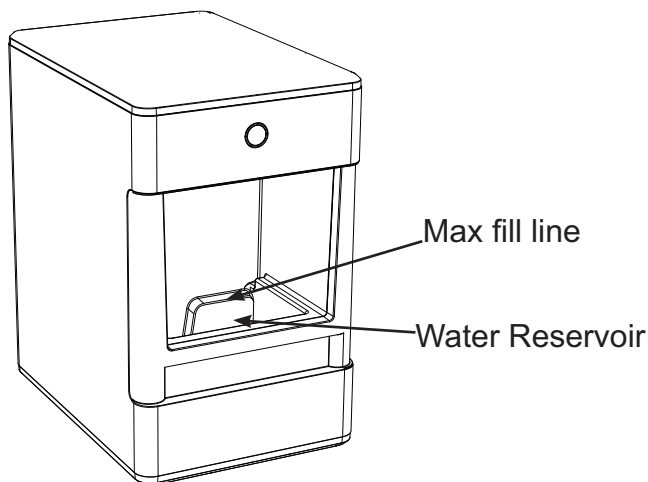
White

Slowly falling white: Opal is defrosting. Please do not unplug or turn off, this takes 30 minutes.

Making Ice with Opal

Once Opal has been cleaned/sanitised, move the ice maker to its desired location and complete the following steps.

1. Remove ice bin.
2. Fill reservoir with potable (safe to drink) water up to the "Max Fill" line. Water hardness must be less than 12 grains per gallon. Do not fill reservoir with any liquid except water. Using any liquid except potable water is misuse and will void your warranty.
3. Plug the ice maker into a grounded outlet.
4. Touch the display button to start the ice maker. The display will flash green to indicate the ice maker is ON, then transition to the falling white display.
5. Opal will begin to produce ice in 15-30 minutes. It will continue to make ice until the bin is full, or it runs out of water. To continue making ice, just add more water.



Draining Opal

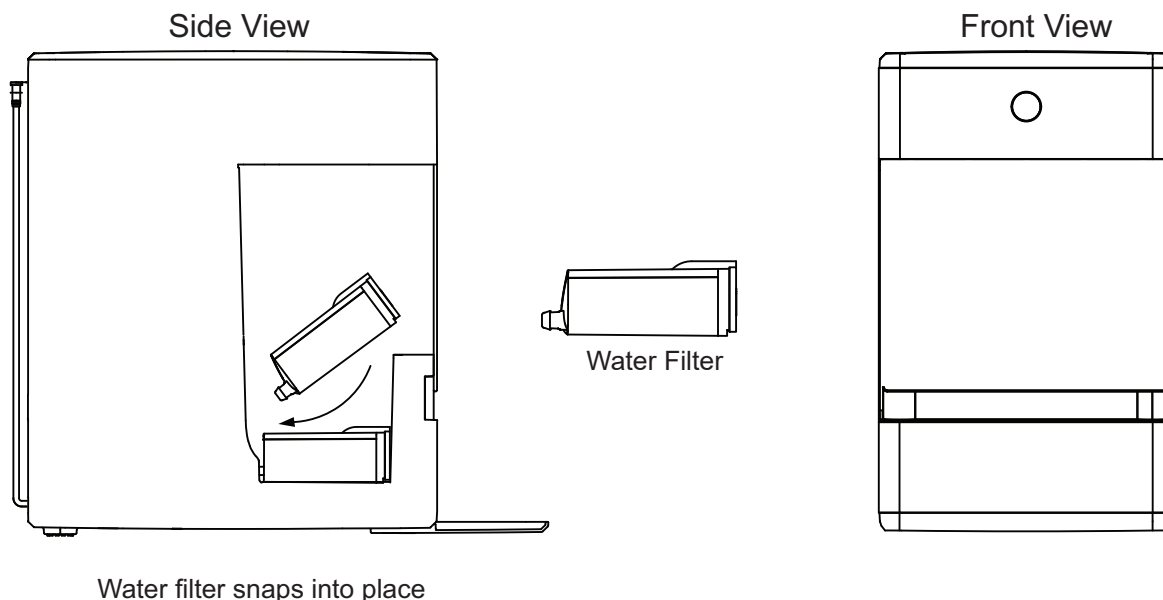
We recommend draining your Opal when:

1. You put it away or anytime it's being relocated
2. You turn it off for more than a few days. (i.e. vacation)
3. You are not using much ice. Continuous recirculation of meltwater may affect taste. For best results, drain your Opal.

Water Filter

The Opal Water Filter, is available at GE Appliances and is the only water filter compatible with Opal. Please follow the installation instructions included with your filter.

NOTE: Remove your water filter (if installed) and reinstall the screened intake cap prior to cleaning your Opal.



Side Tank Accessory

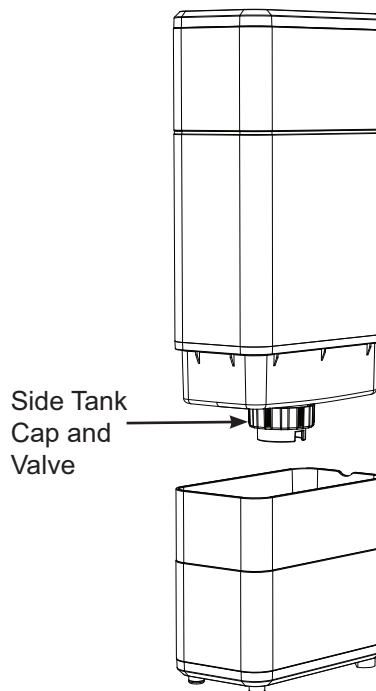
NOTE: The Side Tank Accessory is only included with model numbers OPAL01GEPKT and OPAL01GENKT.

NOTE: There are two drain tubes located on the back of your Opal Nugget Ice Maker indicated as drain tube A and B in the illustration on page 12.

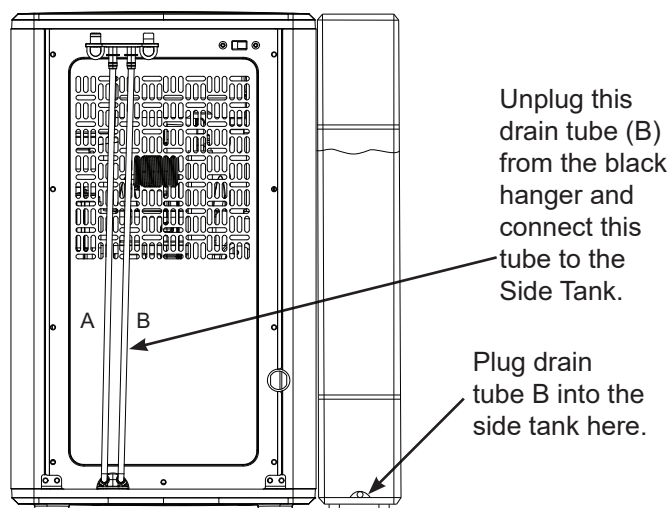
1. Hand Wash Only: Rinse and hand wash Opal Side Tank with warm water and a mild dish soap. Remove Opal Side Tank's cap and wash the cap and rubber valve with water and a mild dish soap. The Side Tank base can be washed by disconnecting the hose and adding a small amount of soapy water to it. Scrub as needed and rinse thoroughly. The rinse water should drain out the port in the back.

Rinse the cap, rubber valve, tank and the base well to remove any residual soap (see illustration).

DO NOT WASH THE SIDE TANK IN THE DISHWASHER.



2. Unplug Opal Nugget Ice Maker. Unhook Opal's drain tubes and drain the water from the reservoir.
3. Connect drain tube, labeled B, to the back of Opal Side Tank's base.
4. Make sure drain tube (A) is connected to the black hanger and installed on the back of Opal.
5. Make sure drain tube (B) connecting to the Side Tank is resting flat on the countertop.

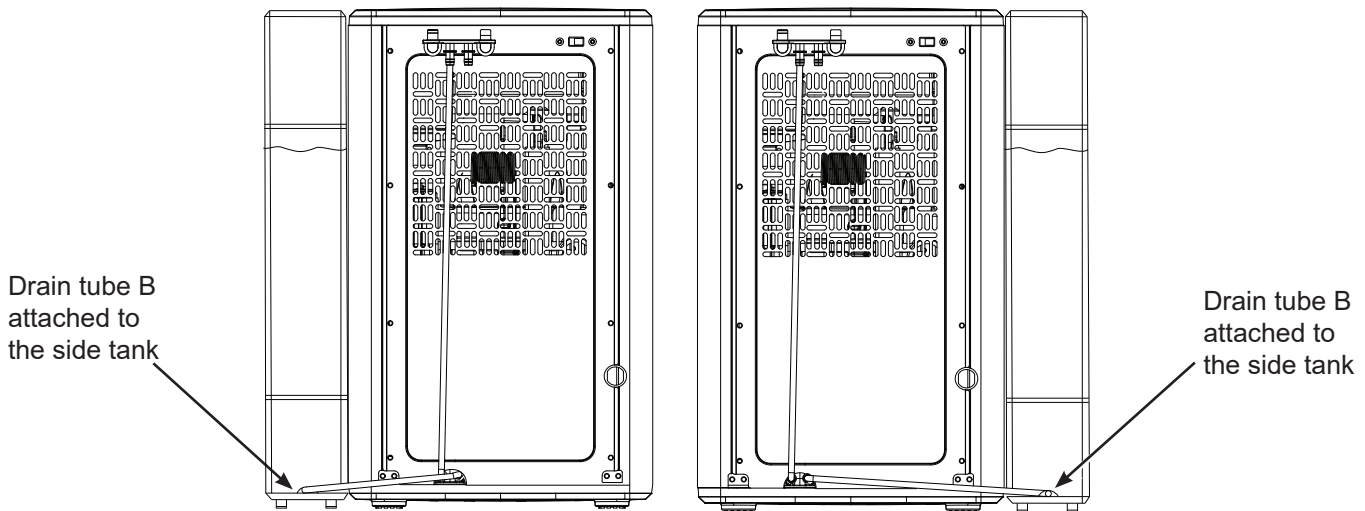


Side Tank Accessory

NOTE: The Side Tank Accessory is only included with model numbers OPAL01GEPKT and OPAL01GENKT.

6. Place Opal Side Tank against the Opal Nugget Ice Maker so that the Side Tank magnets attach to the ice maker. Your Opal Side Tank can be installed on either side of your Opal Nugget Ice Maker.

NOTE: Care should be taken to connect the correct drain tube to the Opal Side Tank. Drain tube (B) should always be connected to the Side Tank whether it is installed on the left or right side of the Opal Nugget Ice Maker.



7. Remove Opal Side Tank's clear reservoir from its base.
8. Unscrew Opal Side Tank's cap from the reservoir. Fill the clear reservoir with water.
9. Replace Opal Side Tank's cap. Ensure the cap is clean when installing.
10. Carefully flip over Opal Side Tank's reservoir and place in the base. Water should start flowing into the Opal Nugget Ice Maker and bubbles in the Opal Side Tank will appear periodically during the time water is flowing to the ice maker.

NOTE: If water does not appear to flow into the ice maker, please check for the following:

- There may be bubbles in drain tube (B) connecting the Side Tank to the Opal.
- Tube (B) is not lying flat.

If either of the above issues are present, adjust tube (B) to allow the water to flow.

11. Fill Opal Nugget Ice Maker's reservoir.
12. Plug in Opal Nugget Ice Maker, and begin making ice.

Side Tank Accessory

NOTE: The Side Tank Accessory is only included with model numbers OPAL01GEPKT and OPAL01GENKT.

⚠ WARNING To reduce the risk of electrical shock or injury when using your Opal, follow these basic safety precautions:

- Unplug the product before cleaning by hand and when not in use.
 - Do not use with water that is microbiologically unsafe or of unknown quality.
 - Use caution when filling and installing Opal Side Tank, as filled unit may be heavy.
 - Do not use this side tank for any liquid other than water.
 - Children should not fill or install Opal Side Tank, as filled unit may be heavy.
 - Make sure that Opal Nugget Ice Maker is unplugged when draining reservoir and installing Opal Side Tank.
 - Ensure that Opal Side Tank is installed on a level surface that will be stable even when Opal Side Tank is full.
 - Make sure the cap of the Side Tank remains clean during filling and operation. Hands should be washed and clean prior to opening and closing the cap.
-

Use and Care

Cleaning the Side Tank

- Remove and drain the Side Tank.
- If there is residual water in Opal Side Tank base unit, flip Opal Side Tank's base to drain.
- Remove and wash Opal Side Tank's cap and valve with dish soap and warm water as needed. Ensure the cap is clean after removing and re-installing by hand.
- Only remove drain tubes while near a sink or bucket, as removing drain tubes from Opal or Opal Side Tank will drain any water in either unit.

Proper Installation and Location

The side tank should be installed flush to the front of the Opal Nugget Ice maker so that it does not block the airflow vents on the Opal Nugget Ice maker. Opal Side Tank needs to sit on the same level surface as your Opal Nugget Ice Maker. Do not elevate Opal Side Tank, or your Opal may overflow.

To Remove Mineral Deposits:

Mix two quarts of water with two quarts of vinegar, OR use the Opal Cleaning Kit.

Clean any visible mineral buildup or deposits with this solution. If deposits are present in the tank, fill the tank with this solution and let soak. Be sure to drain and rinse the tank thoroughly after cleaning. Stubborn deposits may require more than one treatment.

Side Tank Troubleshooting

If water does not flow from the Side Tank to the Opal Ice Maker:

There may be bubbles in the tube connecting the side tank to the opal or it is not lying flat. Try adjusting the tube to allow the water to flow. Once water starts flowing it typically will not need further adjusting.

Normal Operating Sounds

Your new ice maker may make sounds that are not familiar. Most of these sounds are normal. Hard surfaces like the floor, walls, and countertops can amplify these sounds. The following describes the sounds that may be new to you and what may be creating them.

- WHIR - When Opal is first turned on, you may notice the condenser fan spinning.
- BUZZ - When the water pump first turns on, it may be dry and slightly noisy. Once it is filled with water, the noise reduces significantly.
- RATTLE - Rattling noises may be produced from the flow of the refrigerant. These noises should reduce significantly once the refrigerant system has stabilized.
- GURGLE - When the refrigerant system shuts off, there may be a brief gurgle as the refrigerant stops flowing.
- HUM - The compressor is a motor. It produces a low toned humming sound while it is running.
- CLICK - As nugget ice is produced, it drops into the ice drawer. The first nuggets produced are the loudest, as they impact the bottom of the ice bin. As the bin fills, this noise reduces significantly.
- SQUEAK – When Opal is in need of defrosting, it may start to squeak as ice starts to build up around the mechanisms. The defrost cycle is automatic, and may take 30-45 minutes. During this time, the front button won't respond.

Radio Frequency Interference

This product has been tested and found to comply with the limits set forth in Title 47 CFR Part 15 - Radio Frequency Devices. Operation is subject to the following conditions: (1) This device may not cause harmful interference, and (2) this device must accept any interference received, including interference that may cause undesired operation. This product generates, uses, and can radiate radio frequency energy, and if not used in accordance with the instructions, may cause harmful interference to radio communications. If this product does cause harmful interference to radio or television reception, which can be determined by unplugging Opal, the user is encouraged to try to correct the interference by one or more of the following measures:

- Reorient or relocate the TV or radio antennas.
- Increase the distance between the product and TV or radio.
- Plug Opal into a separate outlet from a radio or TV. The transmitter must not be co-located or operating in conjunction with other antennas or transmitters.

Ice Maker Product Specifications

Description of product	Portable nugget ice maker
Voltage/Frequency	120V AC/60Hz
Current	2.5A
Ice storage capacity	3.0 lbs
Ice making rate	24 lbs per day / 1 lb per hour*
Dimensions (width x depth x height)	10.5 in x 14 in x 17 in
Installation clearance (sides and back)	3 in
Operating environment	55°F - 90°F
Weight (when empty) Ice maker + Side tank	44 lbs
Weight (when empty) Ice maker only	40.9 lbs
Weight (when empty) Side tank only	3.1 lbs

NOTE: Technical data and performance information provided for reference only.

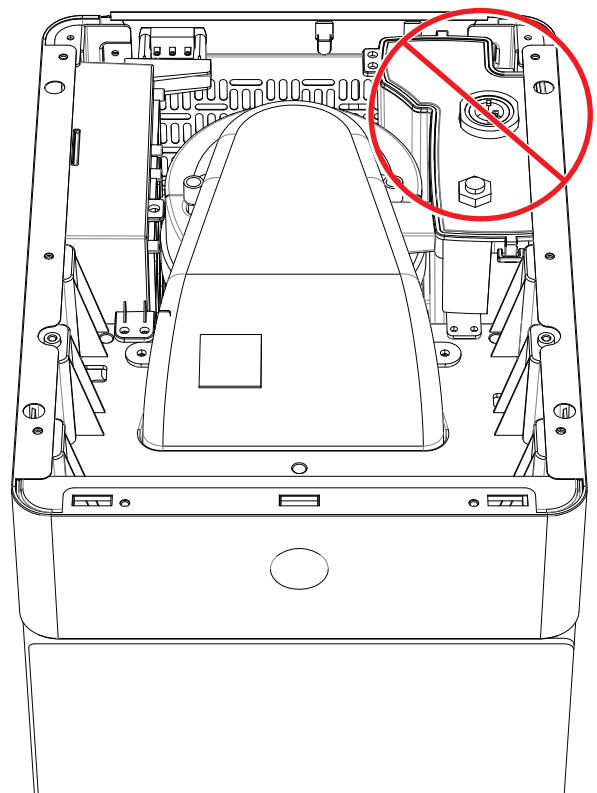
Specifications are subject to change. Check the rating label on your ice maker for the most accurate information.

*The actual quantity of ice produced will vary with environmental conditions.

Note: Products containing refrigerants
 This product contains a refrigerant, which under Federal Law must be removed prior to product disposal. If you are disposing this, or any refrigeration product, check with your local waste company for guidance.

⚠ WARNING In order to avoid exposure to UV radiation, disconnect power to the ice maker before removing the external covers.

Do not Attempt to repair or replace the UV lamp



GE Appliances Ice Maker Limited Warranty

GEAppliances.com

Please have your serial number and your model number available when calling for service. Call 1.866.907.6718 for service questions.

For the Period of:	GE Appliances Covers
One Year From the date of the original purchase	If the ice machine fails due to a defect in materials or workmanship, during the limited one-year warranty , GE Appliances will either replace your product with a new or remanufactured product, or refund the purchase price of the product at GE Appliances sole discretion.

What GE Appliances Will Not Cover:

- Service trips to your home.
- Improper installation, delivery or maintenance.
- Failure of the product if it is abused, misused, or used for other than the intended purpose or used commercially.
- Replacement of house fuses or resetting of circuit breakers.
- Damage caused after delivery.
- Replacement of the light bulbs, if included.
- Damage to the product caused by accident, fire, floods or acts of God.
- Incidental or consequential damage caused by possible defects with this appliance.
- Software bugs that can be corrected with an update via the Opal App
- Labor and other charges to install and/or remove the product

EXCLUSION OF IMPLIED WARRANTIES

Your sole and exclusive remedies are product exchange or refund as provided in this Limited Warranty. Any implied warranties, including the implied warranties of merchantability or fitness for a particular purpose, are limited to one year or the shortest period allowed by law.

For sale in the 50 United States and the District of Columbia only: For US Customers: This limited warranty is extended to the original purchaser for products purchased for home use within the USA. In Alaska and Hawaii, the limited warranty does not include the costs of shipping units.

Some states do not allow the exclusion or limitation of incidental or consequential damages. This warranty gives you specific legal rights, and you may also have other rights which vary from state to state. To know what your legal rights are, consult your local or state consumer affairs office or your state's Attorney General.

Warrantor: GE Appliances, a Haier company
Louisville, KY 40225

Staple your receipt here. Proof of the original purchase date is needed to obtain service under the warranty.

LIMITED WARRANTY

Consumer Support

Service and Registration

Register your new appliance on-line at your convenience! Timely product registration will allow for enhanced communication and prompt service under the terms of your warranty, should the need arise.

Register your appliance at **GEAppliances.com/register** or visit **myopalservice.com** to submit a service request.

Contact Us

If you are not satisfied with the service you receive from GE Appliances, contact us on our Website with all the details including your phone number, or write to:

In the US: General Manager, Customer Relations | GE Appliances, Appliance Park | Louisville, KY 40225

GEAppliances.com/contact

In Canada: Director, Consumer Relations, MC Commercial Inc. | Suite 310, 1 Factory Lane | Moncton, N.B. E1C 9M3

GEAppliances.ca/en/contact-us



MACHINE À GLAÇONS OPAL

- CONSIGNES DE SÉCURITÉ**3
- PIÈCES INCLUSES**4
- COMMENT DÉMARRER**5
- ENTRETIEN ET NETTOYAGE**6
- COMPRENDRE L’AFFICHAGE**9
- PRODUCTION DE GLAÇONS**10
- VIDANGE DU SYSTÈME**10
- FILTRE À EAU**10
- RÉSERVOIR LATÉRAL** 11
- DÉPANNAGE**.....14
- SPÉCIFICATIONS DE LA MACHINE À GLAÇONS** 15
- GARANTIE LIMITÉE** 17
- SOUTIEN AU CONSOMMATEUR** 18

MANUEL D’UTILISATION

- OPAL01GEPKT
- OPAL01GEPSS
- OPAL01GENKT
- OPAL01GENSS

FRANÇAIS

Inscrivez les numéros de modèle et de série ici

No de modèle _____

No de série _____

Vous trouverez ces numéros sur l’étiquette à l’arrière de l’appareil.



NOUS VOUS REMERCIONS D'INTÉGRER GE APPLIANCES À VOTRE DEMEURE.

Que vous ayez grandi avec des électroménagers GE ou qu'il s'agisse de votre première acquisition, nous sommes heureux de vous accueillir dans notre famille.

Nous sommes fiers du savoir-faire, de l'innovation et du design qui constituent chaque électroménager GE, et nous pensons que vous le serez aussi. Nous vous rappelons que l'enregistrement de votre électroménager vous assure de recevoir des renseignements importants sur le produit et la garantie lorsque vous en avez besoin.

The Good Ice™

CONSIGNES DE SÉCURITÉ IMPORTANTES

LISEZ, SUIVRE, ET CONSERVER CES INSTRUCTIONS

⚠ AVERTISSEMENT

Pour réduire le risque d'incendie, d'explosion, de choc électrique, d'exposition aux rayons UV ou de blessure lors de l'utilisation de votre Opal, observez les consignes de sécurité élémentaires suivantes.

- En cas, vous ne devez modifier ni retirer la troisième broche (terre) du cordon électrique. Pour votre sécurité, ce produit doit être correctement mis à la terre.
- N'excédez pas les valeurs nominales de la prise électrique. Nous recommandons que la machine à glaçons soit branchée à son propre circuit. Utilisez uniquement une alimentation électrique standard de 115 V, 60 Hz, correctement mise à la terre conformément au code national de l'électricité et aux codes et règlements locaux en vigueur.
- En raison de risques potentiels pour la sécurité dans certaines conditions, nous vous mettons fortement en garde contre l'utilisation d'un cordon prolongateur. Si toutefois vous devez utiliser un cordon prolongateur, celui-ci doit présenter les caractéristiques suivantes : type pour électroménagers à trois broches avec mise à la terre, fiche avec mise à la terre, homologation UL, valeurs nominales de 15 ampères (minimum) et 120 volts.
- Ce produit doit être installé correctement et placé conformément aux instructions d'installation avant son utilisation. Ce produit est destiné à un usage domestique à l'intérieur seulement. Ne l'utilisez pas à l'extérieur.
- Ne rangez ni n'utilisez des vapeurs ou des liquides inflammables à proximité de ce produit.
- Ne permettez pas aux enfants de grimper sur la machine à glaçons, ni de s'y tenir ou s'y agripper. Ils pourraient se blesser gravement.
- Ne regardez pas la lampe UV directement lorsqu'elle est allumée. La lumière émise par la lampe peut causer des lésions sévères aux yeux ou brûler la peau non protégée.
- Afin de prévenir l'exposition aux radiations UV, débranchez l'alimentation électrique à la machine à glaçons avant de retirer les couvercles extérieurs.
- N'utilisez pas d'eau impropre à la consommation ou de qualité douteuse sur le plan microbiologique.
- Placez le cordon électrique de façon qu'il ne soit pas tiré par les enfants et qu'il ne pose pas un risque de trébuchement.
- Placez le cordon électrique de façon qu'il ne touche pas aux surfaces chaudes.
- Ne faites pas fonctionner l'appareil si un de ses composants, cordon et fiche inclus, est endommagé.
- Débranchez le produit avant de le nettoyer à la main ou lorsqu'il n'est pas utilisé.
- N'immergez aucune pièce de ce produit dans l'eau.
- Ne branchez ni ne débranchez le produit avec les mains mouillées.
- Ne tentez pas de démonter, réparer, modifier ou remplacer une pièce quelconque de ce produit.
- Utilisez ce produit uniquement aux fins auxquelles il est destiné qui sont décrites dans ce manuel d'utilisation.
- N'utilisez aucun accessoire qui n'est pas recommandé par le fabricant.
- Lors de la manipulation, de l'installation et de l'utilisation de l'appareil, veillez à ne pas endommager le tube de réfrigérant.
- L'entretien doit être effectué par du personnel de service autorisé par l'usine et les composants doivent être remplacés par des pièces de rechange autorisées par le fabricant.

⚠ ATTENTION

Pour réduire le risque de blessure lors de l'utilisation de votre Opal, observez les consignes de sécurité élémentaires suivantes

- Ne retirez aucune étiquette apposée sur la machine à glaçons qui présente des renseignements sur la sécurité, les avertissements ou le produit.
- Risque associé à une charge lourde : Nous recommandons que deux personnes déplacent et installent la machine à glaçons afin de prévenir les blessures.

⚠ AVERTISSEMENT



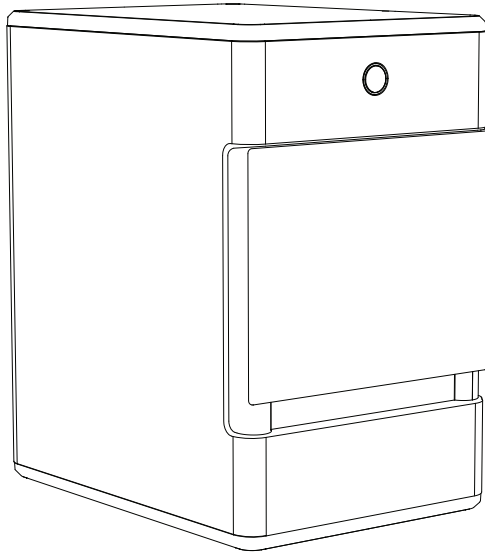
RISQUE D'INCENDIE OU D'EXPLOSION Fluide frigorigère inflammable

Cet électroménager contient le réfrigérant isobutane, aussi connu comme R600a, un gaz naturel à compatibilité élevée avec l'environnement. Il s'agit cependant d'un combustible. Observez les consignes de sécurité ci-dessous afin de réduire le risque de blessure ou de dommage à la propriété.

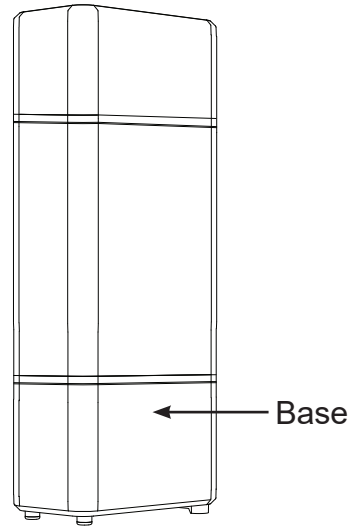
1. Lors de la manipulation, de l'installation et de l'utilisation de cet appareil, prenez soin de ne pas endommager les tubes de circulation du fluide frigorigère.
2. L'entretien ou la réparation doivent être effectués par un personnel de service autorisé. Utilisez seulement des pièces de rechange autorisées par le fabricant.
3. Mettez le réfrigérateur au rebut conformément aux réglementations fédérales et locales. Le fluide frigorigère inflammable et le matériel isolant utilisés nécessitent des procédures de mise au rebut spéciales. Communiquez avec les autorités locales compétentes pour la mise au rebut de votre réfrigérateur sans danger pour l'environnement.
4. N'obstruez pas les événements dans l'enceinte prévue pour l'appareil.
5. Pour retirer le givre, grattez à l'aide d'un grattoir ou d'une spatule en plastique ou en bois. N'utilisez pas un pic à glace ni un instrument métallique ou aux arêtes coupantes car il y a un risque de percer la doublure du congélateur et la tubulure du réfrigérant inflammable derrière elle.
6. N'utilisez pas d'appareils électriques dans le compartiment réfrigérateur de cet appareil.
7. N'utilisez aucun appareil électrique pour dégivrer votre congélateur.

LISEZ, SUIVRE, ET CONSERVER CES INSTRUCTIONS

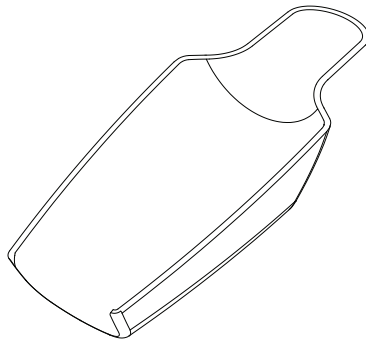
Pièces Incluses



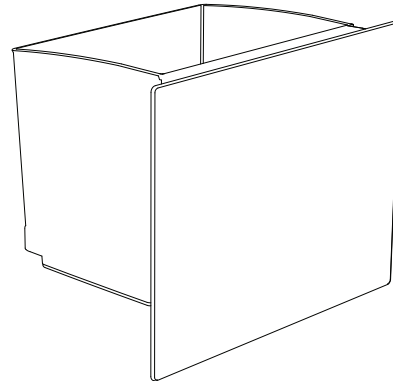
Machine à glaçons Opal



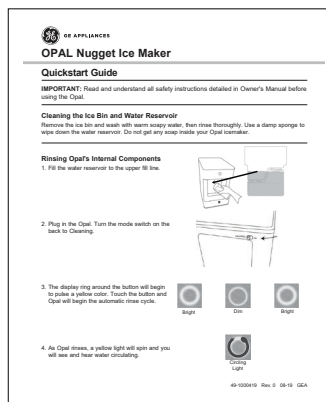
Réservoir latéral
REMARQUE : Fourni seulement avec le modèle OPAL01GEPKT et OPAL01GENKT



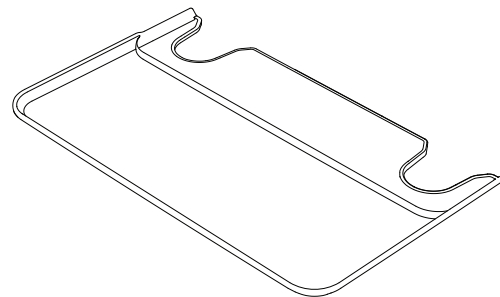
Pelle à glaçons



Bac à glaçons



Guide démarrage rapide



Plateau d'égouttage

Comment Démarrer

Exigences d'installation

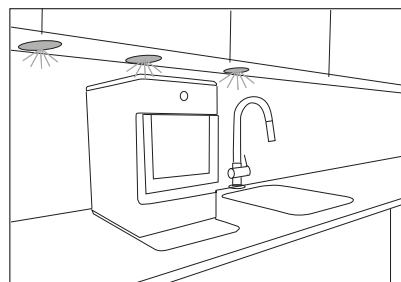
⚠ CAUTION Risque lié à la manipulation d'un objet lourd : Nous recommandons que deux personnes déplacent et installent la machine à glaçons afin de prévenir les blessures.

- Le produit est conçu pour être installé à l'intérieur. N'utilisez pas la machine à glaçons à l'extérieur.
- Le produit doit être installé verticalement sur une surface plane et de niveau qui soit capable de supporter le poids total de l'appareil rempli d'eau.
- Assurez-vous de procurer un dégagement minimal de trois (3) pouces (7,6 cm) autour des parois latérales et arrière de la machine à glaçons pour une bonne circulation d'air.
- Installez le produit dans un endroit bien ventilé avec une température ambiante entre 55 °F et 90 °F (13 °C et 32 °C).
- Ne placez pas le produit près de sources de chaleur telles que fours ou tables de cuisson.
- Ne placez pas le produit à un endroit exposé aux rayons directs du soleil.

Préparation de l'Opal avant l'utilisation

1. Retirez le matériel d'emballage avec soin. N'utilisez pas d'outils coupants qui peuvent endommager le contenu de la boîte.
2. Assurez-vous de la présence de tous les composants. Si un article est absent, veuillez composer le 1.866.907.6718.
3. Placez la machine à glaçons verticalement sur surface plane et de niveau et branchez-la.
4. Installez le plateau d'égouttage en le glissant sous le bord frontal de l'Opal. Les fentes du plateau doivent s'aligner sur les pieds frontaux de l'Opal.
5. Rincez la machine à glaçons avec de l'eau claire durant 5 minutes avant la première utilisation. Débutez avec l'étape 4 des instructions de nettoyage à la page 6. Il n'est pas nécessaire d'utiliser un javellisant pour le premier rinçage.

⚠ NOTICE Certains types de lampes sous armoire peuvent devenir suffisamment chauds pour endommager l'apparence du dessus de l'Opal.



Connexion au Bluetooth

REMARQUE : Bluetooth n'est disponible qu'avec les modèles OPAL01GEPKT et OPAL01GEPSS

Associez facilement le Bluetooth intégré de votre machine à glaçons à l'application GE Profile Opal pour surveiller l'état de l'appareil et programmer de la glace fraîche.

L'application GE Profile Opal peut être trouvée et téléchargée depuis l'App Store d'Apple pour votre appareil Apple ou le Google Play Store pour votre appareil Android.

L'application fonctionne avec Android, iPhone 4s ou plus récent, iPad Mini et iPod Touch 5e génération et plus récent.

Téléchargez simplement l'application et connectez-vous via Bluetooth.



Entretien Et Nettoyage

Pour garder la fraîcheur des glaçons et l'apparence de votre Opal, nous recommandons de nettoyer/désinfecter celle-ci au moins une fois par semaine.

Pour nettoyer l'extérieur de la machine à glaçons, débranchez-la puis utilisez un linge doux imbibé d'eau savonneuse pour nettoyer délicatement les surfaces extérieures. Séchez à l'aide d'un linge doux.

On peut nettoyer les surfaces extérieures en acier inoxydable avec un nettoyant pour acier inoxydable du commerce. Utilisez uniquement un nettoyant liquide exempt d'abrasif et frottez dans la direction des lignes de brosse à l'aide d'une éponge douce et humide. N'utilisez pas de cire, de produits à polir, de solvants ou autres produits chimiques pour électroménagers sur l'acier inoxydable. N'utilisez pas de savon pour nettoyer le réservoir. Utilisez un linge doux imbibé d'eau.

⚠ AVERTISSEMENT

Risque d'exposition à des produits chimiques - Lors du nettoyage avec un javellisant, travaillez dans un endroit bien ventilé et évitez de mélanger le javellisant avec d'autres nettoyants domestiques.

⚠ AVERTISSEMENT

Débranchez le produit avant de le nettoyer à la main, ou lorsqu'il n'est pas utilisé.

Procédure de nettoyage/désinfection du système

Pour nettoyer les composants internes de l'Opal, suivez les étapes suivantes :

1. Débranchez l'Opal.
2. Retirez le filtre à eau (si présent) et remplacez-le par le capuchon d'admission grillagé du réservoir. Voir la Figure 1.
3. Vidangez l'Opal (voir la page 8 pour des instructions détaillées).
4. Branchez l'Opal et glissez le commutateur arrière à la position « clean » (nettoyer). Voir la figure 2.
5. L'anneau d'affichage va s'allumer en jaune et se mettre à pulser. Voir la figure 3.

REMARQUE : N'utilisez pas de savon pour nettoyer le réservoir d'eau.

6. Préparez une solution de cinq tasses d'eau et d'une cuillerée à thé de javellisant domestique. Allez à la page 8 pour des instructions sur la façon d'éliminer les dépôts minéraux durs.

7. Versez la solution dans le réservoir d'eau. Voir la figure 4.

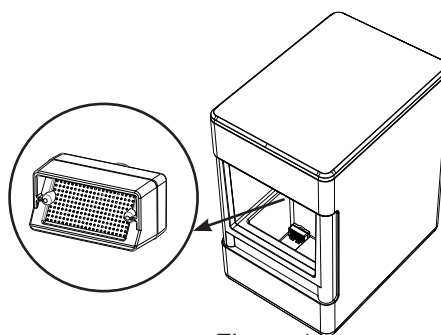


Figure 1

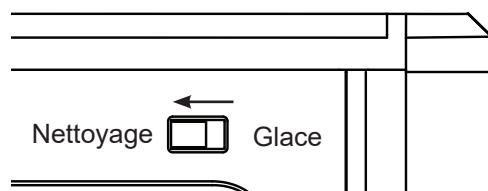


Figure 2

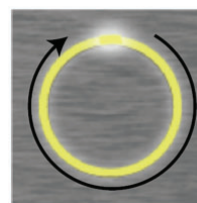


Figure 3

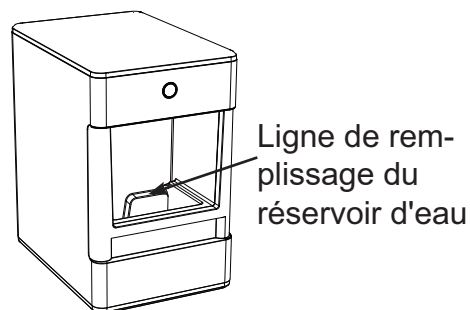


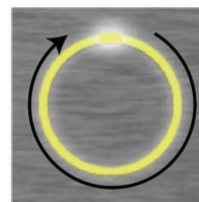
Figure 4

Entretien Et Nettoyage

Procédure de nettoyage/désinfection du système (suite)

8. Touchez le bouton d'affichage pour démarrer le processus de nettoyage, la lumière commencera à tourner et vous entendrez l'eau circuler. Au bout de trois minutes l'eau s'arrêtera et la lumière recommencera à pulser.
9. Vidangez l'Opal lorsque la lumière pulse.
10. Débranchez le haut des tuyaux de vidange à l'arrière de l'appareil. Voir la figure 5.
11. Pour vidanger, mettez les tuyaux dans un évier ou un seau qui se trouve plus bas que le niveau de la machine à glaçons. Voyez les figures 6 et 7.
12. Retirez les bouchons et laissez l'eau s'évacuer complètement. Voir la figure 7.
13. Une fois que l'eau cesse de s'écouler, réinsérez les bouchons.
14. Ajoutez cinq tasses d'eau fraîche dans le réservoir et touchez le bouton. L'anneau lumineux est divisé en quatre sections pour indiquer chaque phase. Les quartiers successifs de l'anneau vont devenir plus brillants à chaque cycle de rinçage.
15. Rincez trois fois avec de l'eau fraîche. Répétez les étapes 8 à 14 deux autres fois, en ajoutant de l'eau fraîche dans le réservoir à chaque fois. (Vous pouvez continuer à répéter le cycle de rinçage autant de fois que vous souhaitez).
16. Remplacez les tuyaux de vidange sur l'arrière. Voir la figure 8.
17. Une fois terminé, remettez le commutateur arrière à la position « Ice » (glace). Voir la figure 9.

Affichage



Tirez vers le haut pour déverrouiller

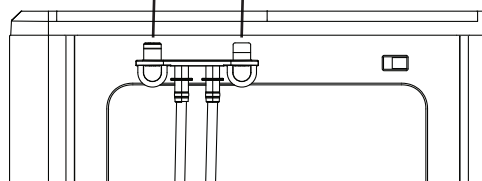


Figure 5

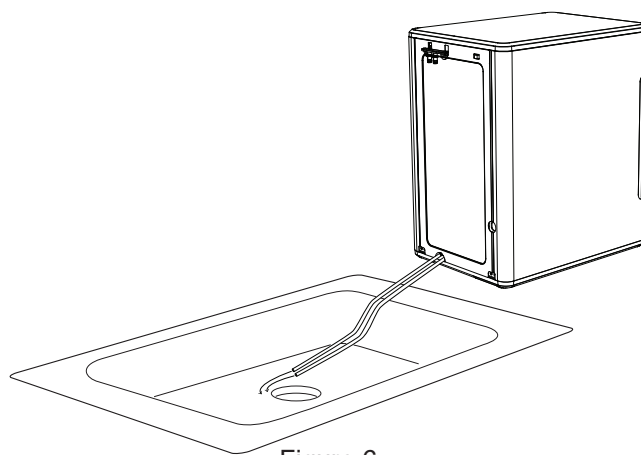


Figure 6

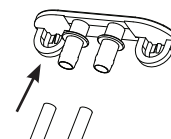


Figure 7

Replacer les tuyaux de vidange

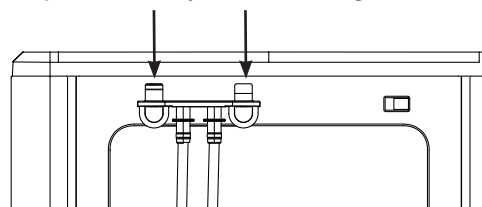


Figure 8

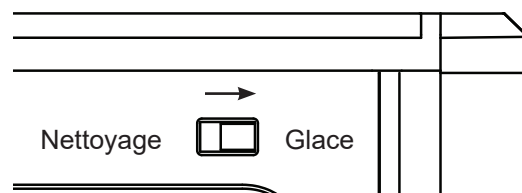


Figure 9

Entretien Et Nettoyage

Élimination des dépôts minéraux

1. Remplissez le réservoir avec du vinaigre jusqu'à la ligne de remplissage maximale et lancez jusqu'à trois cycles de nettoyage. Ou procurez-vous une trousse de nettoyage Opal et suivez les instructions à l'intérieur.
2. Si vous utilisez du vinaigre, laissez-le dans l'appareil durant 18 heures et placez une serviette imbibée de vinaigre dans la chute de glaçons durant la nuit pour dissoudre davantage l'accumulation minérale.
3. Nettoyez les capteurs avec du vinaigre et essuyez avec un linge imbibé d'eau. Après la vidange du vinaigre, lancez trois cycles de rinçage en utilisant de l'eau fraîche pour chaque rinçage.

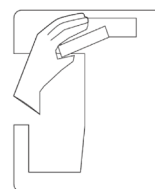


Figure 10

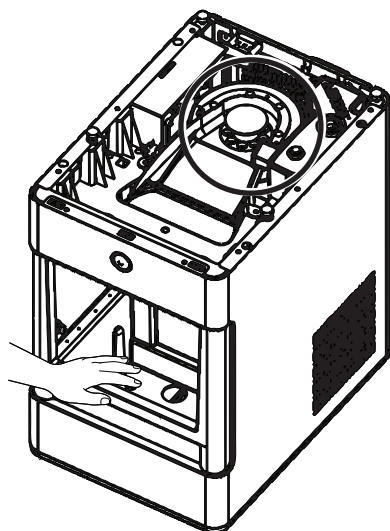


Figure 11

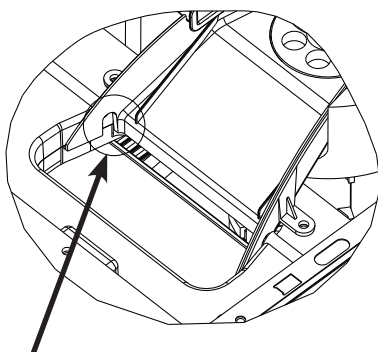


Figure 12

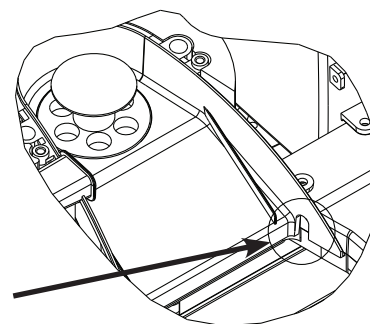


Figure 13

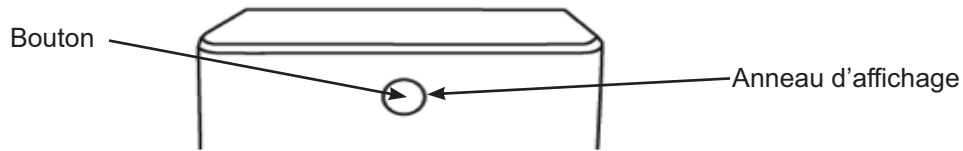
Nettoyage du bac et du plateau

Pour nettoyer le bac à glaçons, retirez-le de la machine à glaçons et nettoyez avec un linge doux imbibé d'eau savonneuse. Rincez à fond. Séchez à l'aide d'un linge doux. N'utilisez pas de solvants ni de produits chimiques.

Le plateau d'égouttage doit être essuyé jusqu'à le sécher complètement. L'eau qui reste à cet endroit peut laisser des dépôts. Pour nettoyer le plateau d'égouttage, retirez-le de l'Opal et utilisez un linge doux imbibé d'eau savonneuse pour nettoyer délicatement la surface. Séchez à l'aide d'un linge doux. N'utilisez pas de solvants ni de produits chimiques.

Comprendre l'affichage

L'Opal utilise un anneau lumineux novateur pour vous faire savoir ce qu'il fait.



Bouton

Touchez une fois pour allumer (ON) ou éteindre (OFF) l'Opal.

Touchez durant 3 secondes pour baisser l'éclairage intérieur si vous le souhaitez.

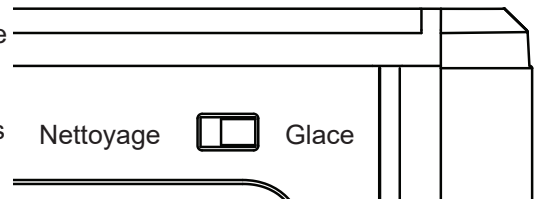
Anneau d'affichage

Affiche l'état de la machine à glaçons Opal. Voyez ci-dessous pour les détails.

Commutateur de mode (situé à l'arrière)

La position « Ice » (glace) met l'Opal dans le mode de production de glaçons.

La position « Cleaning » (nettoyage) met l'Opal dans le mode de nettoyage.



Blanc

Blanc tombant : L'Opal est en cours de production de glaçons.

Blanc

Blanc solide : Le bac à glaçons est plein. L'Opal ne produit plus de glaçons.

Blanc et bleu

Passage au bleu : L'Opal a besoin de plus d'eau.

Jaune

Jaune avec pulsations : L'Opal est en mode nettoyage, attendant la confirmation de la vidange et du remplissage.

Jaune

Jaune en rotation : L'Opal est en rinçage (mode nettoyage).

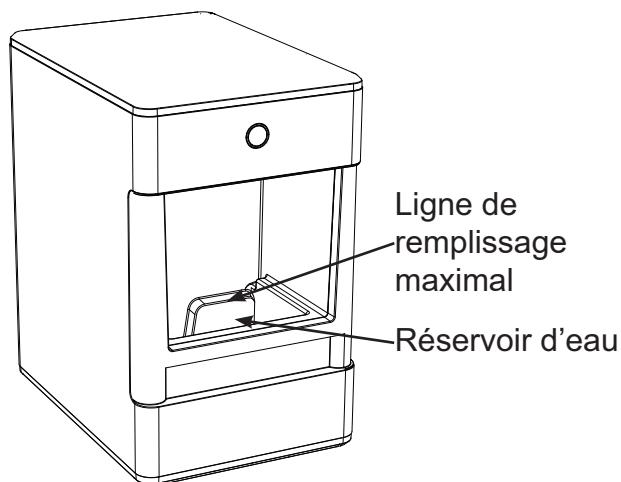
Blanc

Blanc qui tombe lentement : L'Opal est en dégivrage. Veuillez ne pas débrancher ni éteindre, cela prend 30 minutes.

Produire des glaçons avec l'Opal

Une fois que l'Opal a été nettoyée/désinfectée, placez-la à l'endroit désiré et suivez les étapes suivantes.

1. Retirez le bac à glaçons.
2. Remplissez le réservoir avec de l'eau potable (sûre pour boire) jusqu'à la ligne « Max Fill » (remplissage maximal). La dureté de l'eau doit être inférieure à 12 grains par gallon. Ne remplissez pas le réservoir avec un liquide autre que de l'eau. L'utilisation d'un liquide autre que de l'eau potable constitue une mauvaise utilisation et annule la garantie.
3. Branchez la machine à glaçons dans une prise mise à la terre.
4. Touchez le bouton d'affichage pour démarrer la machine à glaçons. L'affichage va clignoter en vert pour indiquer que la machine à glaçons est allumée, puis il passera à la couleur blanche tombante.
5. L'Opal commencera à produire des glaçons dans 15 à 30 minutes. Elle continuera à produire des glaçons jusqu'à ce que le bac soit plein, ou qu'elle manque d'eau. Pour continuer à produire des glaçons, ajoutez simplement de l'eau.



Vidange de l'Opal

Nous recommandons de vidanger l'Opal lorsque :

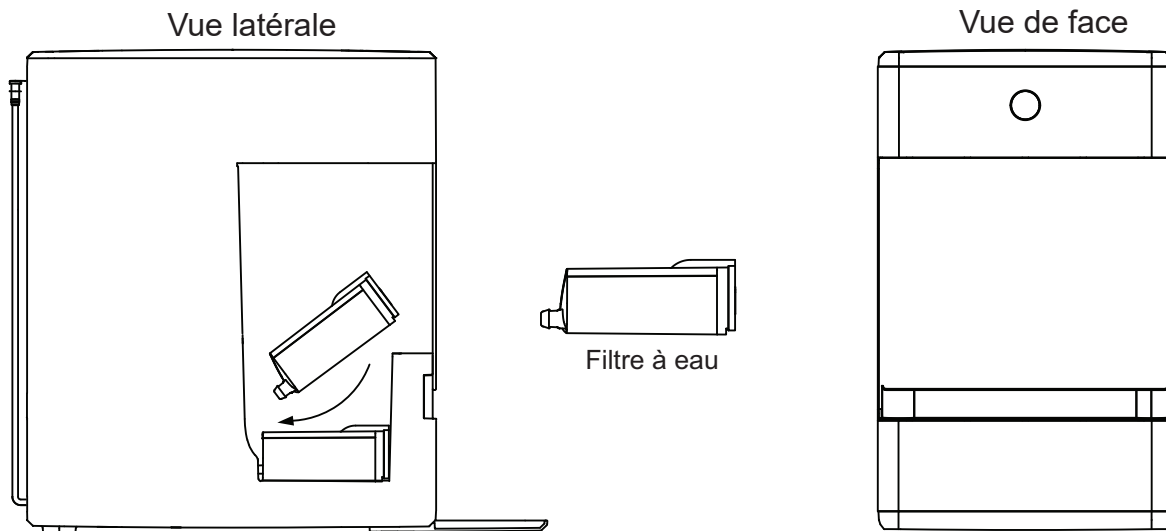
1. vous la rangez ou à chaque fois qu'elle est installée ailleurs;
2. vous l'éteignez durant plus de quelques jours (vacances, etc.);

3. vous n'utilisez pas beaucoup de glaçons. La recirculation continue d'eau de fonte peut changer le goût. Pour les meilleurs résultats, vidanger votre Opal.

Filtre à eau

Le filtre à eau Opal est disponible chez GEAppliances et il est le seul filtre à eau compatible avec l'Opal. Veuillez suivre les instructions d'installation incluses avec votre filtre.

REMARQUE : Retirez votre filtre à eau (s'il est installé) et réinstallez le capuchon d'admission grillagé avant de nettoyer votre Opal.



Le filtre à eau s'enclenche à sa place

Réservoir Latéral

REMARQUE : Le réservoir latéral n'est fourni qu'avec le numéro de modèle OPAL01GEPKT et OPAL01GENKT.

REMARQUE : Deux tuyaux de vidange sont situés sur l'arrière de la machine à glaçons Opal, identifiés par A et B sur l'illustration de la page 12.

1. Laver à la main seulement : Lavez à la main et rincez le réservoir latéral avec de l'eau tiède et un savon à vaisselle doux. Retirez le capuchon du réservoir latéral et lavez le capuchon et la valve en caoutchouc avec de l'eau et un savon à vaisselle doux. On peut laver la base du réservoir latéral en déconnectant le tuyau et en ajoutant une petite quantité d'eau savonneuse dans la base. Frottez au besoin et rincez à fond. L'eau de rinçage doit se vidanger par l'orifice à l'arrière.

Rincez bien le capuchon, la valve de caoutchouc, le réservoir et la base afin d'évacuer tout résidu de savon (voir l'illustration).

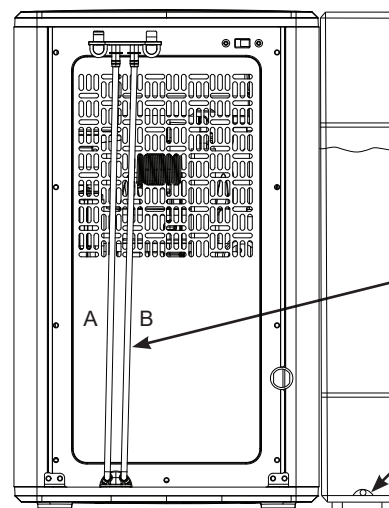
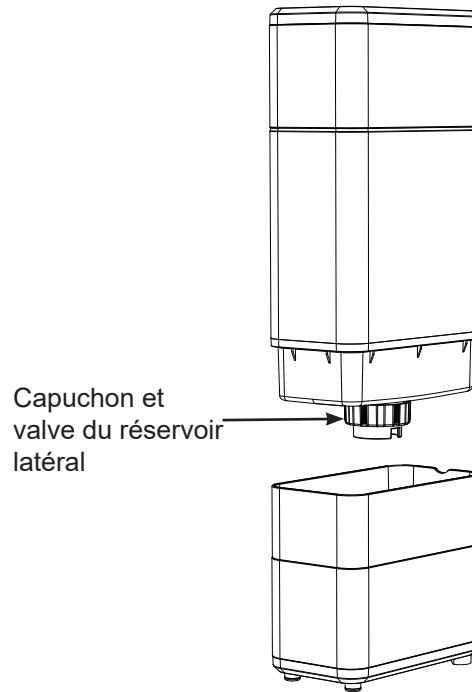
NE LAVEZ PAS LE RÉSERVOIR LATÉRAL AU LAVE-VAISSELLE.

2. Débranchez la machine à glaçons Opal. Débranchez les tuyaux de vidange et vidangez l'eau du réservoir.

3. Connectez le tuyau de vidange identifié B sur l'arrière de la base du réservoir latéral.

4. Assurez-vous que le tuyau de vidange (A) est connecté au support noir et installé sur l'arrière de l'Opal.

5. Assurez-vous que le tuyau de vidange (B) connecté au réservoir latéral repose à plat sur le comptoir.



Débranchez le tuyau de vidange (B) du support noir et connectez ce tuyau sur le réservoir latéral.

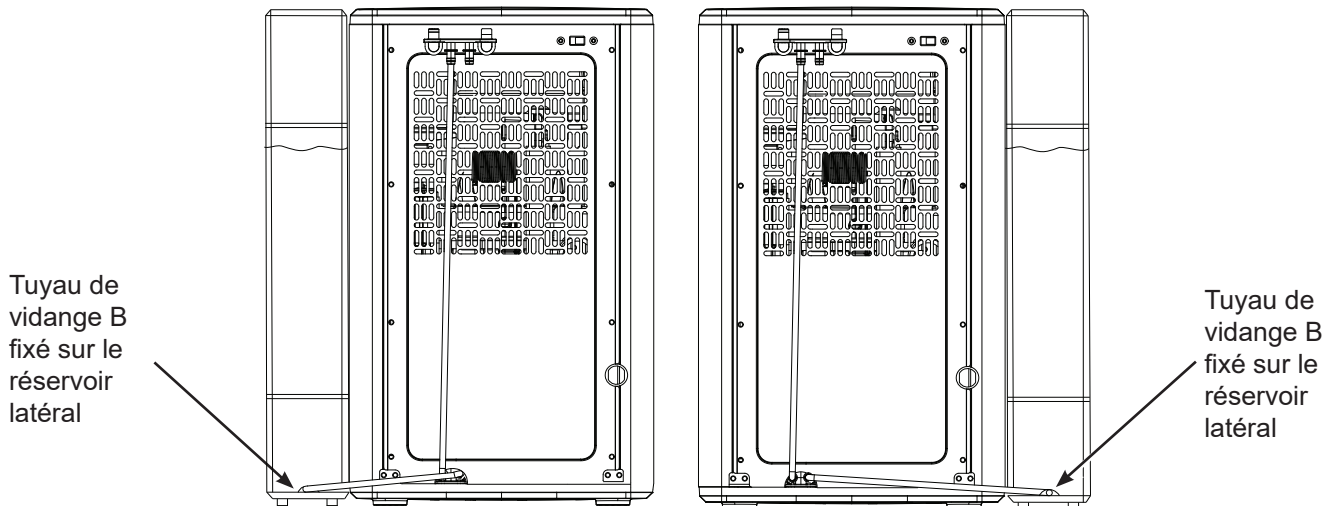
Branchez le tuyau de vidange B sur le réservoir latéral ici.

Réervoir Latéral

REMARQUE : Le réservoir latéral n'est fourni qu'avec le numéro de modèle OPAL01GEPKT et OPAL01GENKT.

6. Placez le réservoir latéral contre la machine à glaçons Opal de façon que les aimants du réservoir latéral se fixent à la machine à glaçons. Votre réservoir latéral Opal peut s'installer sur un côté ou l'autre de la machine à glaçons.

REMARQUE : Il faut porter attention à connecter le bon tuyau de vidange sur le réservoir latéral. Le tuyau de vidange (B) doit toujours être connecté sur le réservoir latéral, peu importe qu'il soit installé sur le côté droit ou gauche de la machine à glaçons Opal.



7. Retirez le réservoir latéral de sa base.
 8. Dévissez le capuchon du réservoir latéral. Remplissez le réservoir latéral avec de l'eau.
 9. Replacez le capuchon du réservoir latéral. Assurez-vous que le capuchon est propre avant de le replacer.
 10. Retournez avec précaution le réservoir latéral et placez-le sur sa base. L'eau devrait commencer à circuler dans la machine à glaçons et des bulles apparaîtront périodiquement pendant la circulation de l'eau.

REMARQUE : Si l'eau ne semble pas circuler dans la machine à glaçons, veuillez vérifier les éléments suivants :

- Il peut y avoir des bulles dans le tuyau de vidange (B) qui connecte le réservoir latéral à l'Opal.
- Le tuyau (B) ne repose pas à plat.

Si l'une ou l'autre des situations ci-dessus est présente, ajustez le tuyau (B) pour permettre à l'eau de circuler.

11. Remplissez le réservoir (principal) de la machine à glaçons Opal.
 12. Branchez la machine à glaçons et commencez à produire des glaçons.

Réservoir Latéral

REMARQUE : Le réservoir latéral n'est fourni qu'avec le numéro de modèle OPAL01GPKT et OPAL01GENKT.

▲ WARNING Pour réduire le risque de décharge électrique ou de blessure lorsque vous utilisez votre Opal, veuillez suivre les consignes de sécurité élémentaires suivantes :

- Débranchez le produit avant de le nettoyer à la main ou lorsqu'il n'est pas utilisé.
- N'utilisez pas de l'eau impropre à la consommation ou de qualité douteuse sur le plan microbiologique.
- Usez de prudence lors du remplissage et de l'installation du réservoir latéral car il est lourd une fois rempli.
- N'utilisez pas le réservoir latéral avec du liquide autre que de l'eau.
- Ne laissez pas les enfants remplir ou installer le réservoir latéral car il est lourd une fois rempli.
- Assurez-vous que la machine à glaçons Opal est débranchée lors de la vidange ou de l'installation du réservoir latéral.
- Assurez-vous que le réservoir latéral est installé sur une surface de niveau qui sera stable même lorsque le réservoir est plein.
- Assurez-vous que le capuchon du réservoir latéral reste propre pendant le remplissage et le fonctionnement. Les mains doivent être lavées et propres avant l'ouverture et la fermeture du capuchon.

Utilisation et entretien

Nettoyage du réservoir latéral

- Retirez et vidangez le réservoir latéral.
- S'il y a de l'eau résiduelle dans la base du réservoir latéral, retournez la base pour la vidanger.
- Retirez et lavez le capuchon et la valve du réservoir latéral avec du savon à vaisselle et de l'eau tiède au besoin. Assurez-vous que le capuchon est propre après son retrait et sa réinstallation à la main.
- Assurez-vous d'être à proximité d'un évier ou d'un seau avant de retirer les tuyaux de vidange car l'eau de l'Opal ou du réservoir latéral va se vidanger.

Installation et position appropriées

Le réservoir latéral doit être installé à égalité avec le devant de la machine à glaçons de façon qu'il ne bloque pas les événements d'air de la machine. Le réservoir latéral doit reposer sur la même surface de niveau que la machine à glaçons. N'élevez pas le réservoir latéral car l'Opal pourrait déborder.

Pour retirer les dépôts minéraux :

Mélangez deux litres d'eau avec deux litres de vinaigre, OU utilisez la trousse de nettoyage Opal.

Nettoyez tout dépôt minéral visible avec cette solution. Si des dépôts sont présents dans le réservoir, remplissez celle-ci avec la solution et laissez tremper. Assurez-vous de vidanger et rincer le réservoir à fond après le nettoyage. Les dépôts récalcitrants peuvent demander plus d'un traitement.

Dépannage du réservoir latéral

Si l'eau ne circule pas du réservoir latéral vers la machine à glaçons :

Il peut y avoir des bulles dans le tuyau qui connecte le réservoir latéral à l'Opal, ou le tuyau ne repose pas à plat. Ajustez le tuyau pour permettre à l'eau de circuler. Une fois que l'eau commence à circuler, il n'est généralement plus nécessaire d'ajuster le tuyau davantage.

Sons de fonctionnement normaux

Votre nouvelle machine à glaçons peut produire des sons qui ne sont pas familiers. La plupart de ces sons sont normaux. Les surfaces dures telles que planchers, murs et comptoirs peuvent amplifier ces sons. La liste suivante décrit les sons qui peuvent vous surprendre et ce qui les produit.

- **RONRONNEMENT** - Lorsque l'Opal est allumée pour la première fois, vous pourriez entendre le ventilateur du condenseur tourner.
- **BOURDONNEMENT** - Lorsque la pompe à eau se met en marche la première fois, elle peut être sèche et légèrement bruyante. Une fois remplie d'eau, le bruit s'amenuisera.
- **CLIQUETIS** - Des cliquetis peuvent être générés par la circulation du réfrigérant. Ces bruits devraient s'amenuiser considérablement une fois le système de réfrigérant stabilisé.
- **GARGOUILLIS** - Un bref gargouillis peut se produire suite à l'absence de circulation du réfrigérant lorsque le système s'arrête.
- **VROMBISSEMENT** - Le compresseur est un moteur. Il produit un vrombissement de faible tonalité lorsqu'il fonctionne.
- **CLIC** - Les glaçons tombent dans le tiroir à glace à mesure qu'ils sont produits. Les premiers glaçons produits sont les plus bruyants car ils frappent le fond du bac à glaçons. À mesure que le bac se remplit, ce bruit s'amenuise considérablement.
- **GRINCEMENT** – Lorsque l'Opal doit être dégivrée, elle peut commencer à grincer à mesure que la glace s'accumule autour des mécanismes. Le cycle de dégivrage est automatique et peut prendre 30 à 45 minutes. Pendant ce temps, le bouton frontal ne répond pas.

Brouillage radioélectrique

Ce produit a été testé et jugé conforme aux limites énoncées dans la règle Title 47 CFR Part 15 relative aux appareils à radiofréquences. Son fonctionnement est assujéti aux conditions suivantes : (1) Cet appareil ne doit pas causer de brouillage préjudiciable; et (2) cet appareil doit accepter tout brouillage qu'il reçoit, y compris celui pouvant entraîner un fonctionnement indésirable. Ce produit génère, utilise et émet des radiofréquences et, s'il n'est pas utilisé conformément aux présentes instructions, peut causer un brouillage nuisible aux communications radio. Si ce produit cause un brouillage nuisible sur votre poste radio ou de télévision, ce que vous pouvez déterminer en débranchant l'Opal, il est conseillé à l'utilisateur d'essayer

de pallier à ce brouillage nuisible en prenant l'une ou l'autre des mesures suivantes :

- Réorienter ou repositionner l'antenne TV ou radio.
- Augmenter la distance entre le produit et la TV ou la radio.
- Brancher l'Opal dans une prise différente de celle de la radio ou la TV.

L'émetteur ne doit pas être situé ou fonctionner conjointement avec d'autres antennes ou émetteurs.

Spécifications De La Machine À Glaçons

Description du produit	Machine à glaçons portable
Tension/Fréquence	120V AC/60Hz
Intensité	2,5A
Capacité de stockage de glace	3,0 lb (1,4 kg)
Taux de production de glace	24 lb (10,9 kg) par jour / 1 lb (0,45 kg) par heure*
Dimensions (larg x prof x haut)	10,5 x 14 x 17 po (26,7 x 35,6 x 43,2 cm)
Dégagements pour l'installation (côtés et arrière)	3 po (7,62 cm)
Température de fonctionnement	55 °F à 90 °F (13 °C et 32 °C)
Poids (vide)	44 lb (20 kg)
Poids (vide) Machine à glaçons seulement	40.9 lbs (18.6 kg)
Poids (vide) réservoir latéral seulement	3.1 lbs (1.4 kg)

REMARQUE : Les données techniques et de rendement sont fournies à titre de référence seulement.

Les spécifications sont sujettes à modification. Vérifiez l'étiquette signalétique sur votre machine à glaçons pour les informations les plus précises.

*La quantité réelle de glace produite variera en fonction des conditions ambiantes.

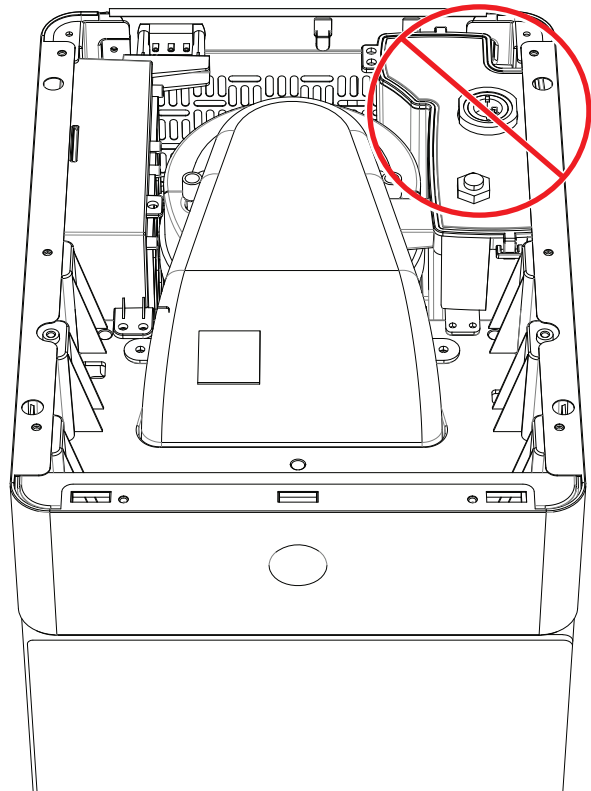
Remarque : Produits contenant des réfrigérants

Ce produit contient un réfrigérant qui, en vertu de la loi fédérale, doit être retiré avant la mise au rebut du produit. Si vous mettez ce produit au rebut ou un autre qui contient aussi du réfrigérant, consultez les autorités locales de gestion des déchets pour la procédure à suivre.

⚠ WARNING

Afin d'éviter l'exposition aux radiations UV, coupez l'alimentation électrique à la machine à glaçons avant de retirer les couvercles extérieurs.

Ne tentez PAS de réparer ou remplacer la lampe UV.



Garantie limitée de la machine à glaçons GE Appliances

GEAppliances.com

Veillez garder les numéros de série et de modèle à portée de la main au moment d'effectuer un appel de service. Composez le 1.866.907.6718 pour des questions relatives au service.

Durant la période de	GE Appliances appliquera la garantie suivante
Un (1) an À partir de la date d'achat initial	Si la machine à glaçons présente une défaillance en raison de vices de matière ou de fabrication pendant la garantie limitée de un (1) an, GE Appliances procédera, à sa seule discrétion, au remplacement de votre produit par un neuf, à sa remise à neuf, ou encore au remboursement de son prix d'achat.

Ce que GE Appliances ne garantie pas:

- Les déplacements de service à votre domicile.
- Une installation, une livraison ou un entretien inadéquats.
- La défaillance du produit en raison d'un usage abusif, d'une mauvaise utilisation, ou s'il est utilisé à des fins commerciales ou autres que celles prévues.
- Le remplacement des fusibles du domicile ou le réarmement des disjoncteurs.
- Les dommages survenus après la livraison.
- Le remplacement des ampoules, si elles sont incluses.
- Tout dommage occasionné par un accident, un incendie, une inondation ou une autre catastrophe naturelle.
- Les dommages accessoires ou indirects causés par d'éventuelles déficiences de cet électroménager.
- Les bogues logiciels qui ne peuvent pas être corrigés par une mise à jour de l'application Opal.
- Les frais de main-d'œuvre ou les autres frais encourus pour l'installation et/ou le retrait du produit.

EXCLUSION DES GARANTIES IMPLICITES

Votre seul recours exclusif consiste en l'échange du produit ou son remboursement en vertu de cette garantie limitée. Toute garantie implicite, y compris les garanties implicites relatives à la qualité marchande ou à l'adéquation à un usage particulier, se limitera à une période de un an ou à la période la plus courte prescrite par la loi.

Pour la vente dans les 50 États et le district de Columbia des États-Unis seulement : Clients des États-Unis : Cette garantie limitée est étendue à l'acheteur d'origine pour les produits achetés relativement à une utilisation domestique à l'intérieur des États-Unis. En Alaska et à Hawaii, la garantie limitée n'inclus pas les coûts relatifs à l'expédition des appareils.

Certains États ou provinces ne permettent pas l'exclusion ou la restriction des dommages accessoires ou indirects. Certains droits particuliers vous sont dévolus en vertu de la présente garantie et peuvent s'accompagner d'autres droits qui varient selon votre lieu de résidence. Pour connaître la nature exacte de vos droits, consultez l'organisme de protection du consommateur de votre région, ou encore le bureau du procureur général de l'État.

Garant : GE Appliances, une compagnie Haier

Louisville, KY 40225

Brochez votre reçu ici. Pour obtenir le service sous garantie, vous devrez fournir la preuve de l'achat original.

Soutien Au Consommateur

Service et enregistrement

Enregistrez votre nouvel électroménager en ligne à votre convenance! L'enregistrement de votre produit dans les plus brefs délais permet une meilleure communication et un service rapide en vertu de votre garantie, le cas échéant.

Enregistrez votre électroménager sur GEAppliances.com/register ou visitez myopalservice.com pour soumettre une requête de service.

Communiquez avec nous

Si vous n'êtes pas satisfait du service reçu de GE Appliances, contactez-nous via notre site Web avec tous les détails, y compris votre numéro de téléphone, ou encore écrivez à :

Aux États-Unis : General Manager, Customer Relations | GE Appliances, Appliance Park | Louisville, KY 40225
GEAppliances.com/contact

Au Canada : Directeur, Relations avec le consommateur, MC Commercial Inc. | Suite 310, 1 Factory Lane | Moncton, N.B. E1C 9M3 GEAppliances.ca/en/contact-us



HIELO EN PEPITAS DE OPAL

INFORMACIÓN SOBRE SEGURIDAD3

EMBALAJE4

PUESTA EN MARCHA5

CUIDADO Y LIMPIEZA6

COMPRESIÓN DE LA PANTALLA9

FABRICACIÓN DE HIELO10

DRENAJE10

FILTRO DE AGUA10

ACCESORIO DEL TANQUE LATERAL 11

SOLUCIONAR PROBLEMAS14

ESPECIFICACIONES DEL PRODUCTO15

GARANTÍA LIMITADA19

SERVICIO AL CONSUMIDOR .. 20

MANUAL DEL PROPIETARIO

OPAL01GEPKT
 OPAL01GEPSS
 OPAL01GENKT
 OPAL01GENSS

ESPAÑOL

Escriba los números de modelo y de serie aquí:

Nº de Modelo _____

Nº de Serie _____

Busque estos números en una etiqueta en el revestimiento de la caja interna superior de la unidad sobre el frente.



GRACIAS POR HACER QUE GE APPLIANCES SEA PARTE DE SU HOGAR.

Ya sea que haya crecido usando GE Appliances, o que ésta es su primera vez, nos complace tenerlo en la familia.

Sentimos orgullo por el nivel de arte, innovación y diseño de cada uno de los electrodomésticos de GE Appliances, y creemos que usted también. Entre otras cosas, el registro de su electrodoméstico asegura que podamos entregarle información importante del producto y detalles de la garantía cuando los necesite.

The Good Ice™s

INFORMACIÓN IMPORTANTE DE SEGURIDAD

LEA TODAS LAS INSTRUCCIONES ANTES DE USAR

⚠️ ADVERTENCIA

A fin de reducir el riesgo de incendio, explosión, descarga eléctrica, exposición a radiación ultravioleta o lesiones al usar su Opal, siga estas precauciones básicas de seguridad:

- Nunca, bajo ninguna circunstancia, altere o elimine la tercera clavija (tierra) del cable de corriente. Por seguridad personal, este producto deberá estar adecuadamente conectado a tierra.
- No supere la potencia del tomacorriente. Se recomienda conectar la máquina de hielo en su propio circuito. Use sólo un suministro eléctrico estándar de 115 V, 60 Hz., que se encuentre correctamente conectado a tierra de acuerdo con el Código Nacional de Electricidad y los códigos y ordenanzas locales.
- Debido a los posibles riesgos sobre la seguridad bajo ciertas condiciones, recomendamos enfáticamente evitar el uso de prolongadores. Sin embargo, si deberá usar un prolongador, es absolutamente necesario que sea un prolongador para electrodomésticos de 3 cables con conexión a tierra de la lista de UL, que cuente con un enchufe con conexión a tierra y que la potencia eléctrica del cable sea de 15 amperes (mínimo) y 120 volts.
- Este producto se deberá instalar y ubicar adecuadamente de acuerdo con las instrucciones de instalación antes de su uso. Este producto es para uso hogareño en interior únicamente. No lo use en áreas exteriores.
- No guarde ni use vapores inflamables o líquidos cerca de este producto.
- No permita que los niños se trepen, paren o cuelguen de la máquina de hielo. Podrían sufrir lesiones graves.
- No mire directamente la lámpara ultravioleta cuando se encuentre en funcionamiento. La luz emitida por la lámpara ocasionará lesiones oculares graves y quemará la piel no protegida.
- A fin de evitar la exposición a la radiación ultravioleta, desconecte la corriente de la máquina de hielo antes de retirar las tapas exteriores.
- No use la misma con agua que no sea segura a nivel microbiológico o de calidad desconocida.
- Coloque el cable de corriente de modo tal que los niños no puedan tirar del mismo u ocasionar riesgos de tropiezo.
- Coloque el cable de corriente de modo tal que no tenga contacto con superficies calientes.
- Evite el uso si un componente, incluyendo el cable o el enchufe, se encuentran dañados.
- Desenchufe el producto antes de realizar la limpieza manual o cuando no esté en uso.
- No sumerja ninguna parte del producto en agua.
- No enchufe ni desenchufe el producto con las manos húmedas.
- No intente desensamblar, reparar, modificar o reemplazar cualquier pieza del producto. Para acceder a información sobre la Garantía, consulte la página 13.
- No intente desensamblar, reparar, modificar o reemplazar cualquier pieza del producto.
- No use accesorios que no hayan sido recomendados por el fabricante.
- Al mover, instalar y utilizar el electrodoméstico, se deberá tener cuidado para evitar dañar la tubería del refrigerante.
- El servicio técnico deberá ser realizado por personal autorizado del servicio de fábrica, y los componentes podrán ser reemplazados por componentes de repuesto autorizados por el fabricante.

⚠️ PRECAUCIÓN

A fin de reducir el riesgo de lesión al usar su Opal, siga estas precauciones básicas de seguridad:

- No retire ninguna advertencia de seguridad ni etiquetas del producto de la máquina de hielo.
- Riesgo al Levantar: se recomienda contar con dos personas para trasladar e instalar la máquina de hielo, a fin de evitar lesiones.

⚠️ ADVERTENCIA

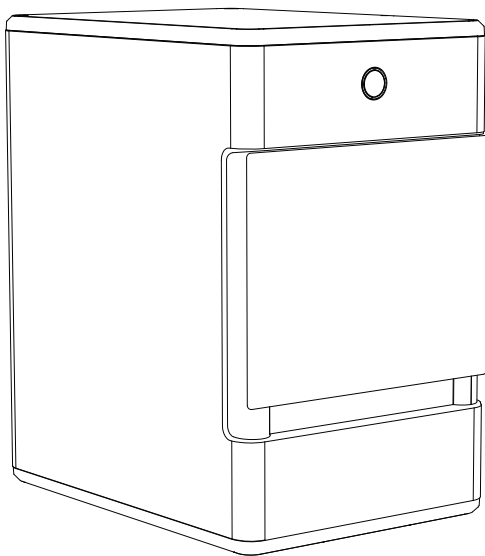


RIESGO DE INCENDIO O EXPLOSIÓN Refrigerantes Inflamables

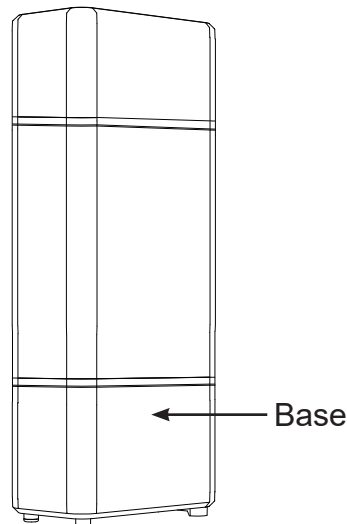
Este electrodoméstico cuenta con refrigerante isobutano, también conocido como R600a, un gas natural con alto nivel de compatibilidad medioambiental. Sin embargo, también es combustible. Siga las advertencias que figuran a continuación, a fin de reducir el riesgo de lesiones o daños sobre la propiedad.

1. Al mover, instalar y operar el electrodoméstico, se deberá tener cuidado de no dañar la tubería del refrigerante.
2. El servicio técnico sólo debe ser realizado por personal autorizado del servicio. Use sólo piezas del servicio autorizadas por el fabricante.
3. Descarte el electrodoméstico de acuerdo con las Regulaciones Federales y Locales. El refrigerante inflamable y el material aislante inflamable usados requieren procedimientos de descarte especiales. Comuníquese con las autoridades locales para descartar su refrigerador de forma ambientalmente segura.
4. Mantenga las aberturas de ventilación en el espacio de protección del electrodoméstico o en la estructura incorporada libres de obstrucción.
5. A fin de eliminar la escarcha, raspe con una espátula o raspador de plástico o madera. No use un instrumento con pico de hielo, metal, o con forma puntiaguda, ya que esto podrá perforar el revestimiento del freezer y luego la tubería refrigerante inflamable detrás de éste.
6. No use dispositivos eléctricos dentro del compartimento de almacenamiento de comida del electrodoméstico.
7. No use ningún dispositivo eléctrico para descongelar su refrigerador.

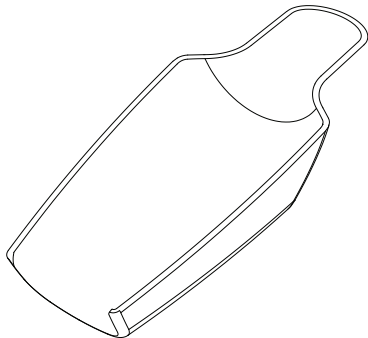
LEA Y GUARDE ESTAS INSTRUCCIONES



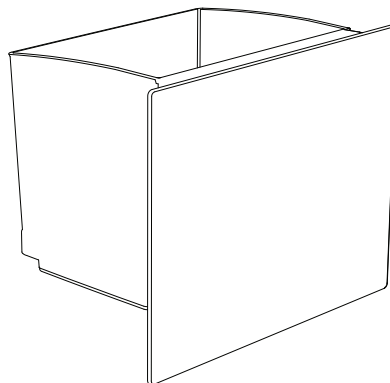
Máquina de hielo Opal



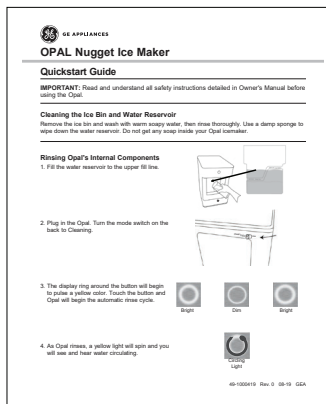
Accesorio del tanque lateral
NOTA: Sólo incluido con el modelo OPAL01GEPKT y OPAL01GENKT.



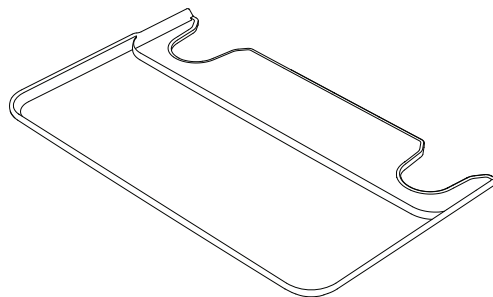
Cuchara para hielo



Recipiente para hielo



Guía de inicio rápido



Bandeja de goteo

Puesta en marcha

Requisitos de instalación

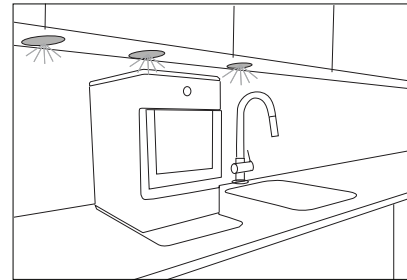
⚠ PRECAUCIÓN Riesgo al Levantar: se recomienda contar con dos personas para trasladar e instalar la máquina de hielo, a fin de evitar lesiones.

- Este producto fue diseñado para su instalación en interior. No use la máquina de hielo en áreas exteriores.
- Este producto deberá ser instalado sobre una superficie plana y nivelada, capaz de soportar el peso total cuando esté lleno de agua.
- Asegúrese de contar con un espacio mínimo de tres pulgadas (3") sobre los laterales y las paredes traseras de la máquina de hielo, a fin de lograr una circulación de aire adecuada.
- Instale el producto en un área bien ventilada con una temperatura ambiente de entre 55° y 90°.
- No coloque el producto cerca de fuentes de calor tales como hornos o superficies de cocción.
- No coloque el producto en contacto directo con la luz del sol.

Preparación de la Opal para su uso

1. Retire el material de embalaje con cuidado. No use herramientas puntiagudas que puedan dañar los contenidos de la caja.
2. Asegúrese de que todos los componentes estén presentes. En caso de faltar un ítem, por favor comuníquese a 1.866.907.6718.
3. Coloque la máquina de hielo en posición parada sobre una superficie plana y nivelada y enchufe la misma.
4. Instale la bandeja de goteo deslizando la misma debajo del extremo frontal de la Opal. Las ranuras de la bandeja se deberán alinear con el pie frontal de la Opal.
5. Enjuague la máquina de hielo con agua limpia durante cinco minutos antes de su primer uso. Comience por el paso 4 de las instrucciones de limpieza de la página 6. No es necesario usar blanqueadores para el primer enjuague.

⚠ AVISO Algunos tipos de lámparas debajo del gabinete podrán generar un nivel de calor que ocasione daños sobre el aspecto de la parte superior de la Opal.



Conexión a Bluetooth

NOTA: Bluetooth solo está disponible con los modelos OPAL01GEPKT y OPAL01GEPSS

Empareje fácilmente el Bluetooth integrado de su máquina de hielo con la aplicación GE Profile Opal para monitorear el estado del dispositivo y programar hielo fresco.

La aplicación GE Profile Opal se puede encontrar y descargar desde Apple App Store para su dispositivo Apple o Google Play Store para su dispositivo Android.

La aplicación funciona con Android, iPhone 4s o más reciente, iPad Mini y iPod Touch de quinta generación y más reciente.

Simplemente descargue la aplicación y conéctese a través de Bluetooth.



Cuidado y limpieza

A fin de que el gusto de las pepitas de hielo se mantenga fresco y que la Opal tenga un gran aspecto, le recomendamos limpiar esta última por lo menos una vez por semana.

Para limpiar el exterior de la máquina de hielo, desenchufe el producto, y luego use una tela suave y húmeda con agua y jabón para limpiar de forma suave las superficies exteriores. Seque con una tela suave.

La limpieza de las superficies exteriores de acero inoxidable se podrá realizar con limpiadores de acero inoxidable comercialmente disponibles. Use sólo un limpiador líquido libre de material abrasivo y frote en la dirección de las líneas del cepillo con una esponja suave y húmeda. No use cera para electrodomésticos,

esmaltes, solventes o químicos sobre el acero inoxidable. No use jabón para limpiar el depósito. Use una tela suave humedecida con agua.

⚠ADVERTENCIA Riesgo de Exposición a Químicos: al limpiar con blanqueador, use el mismo en un área bien ventilada y evite la mezcla con otros limpiadores hogareños.

⚠ADVERTENCIA Desenchufe el producto antes de realizar la limpieza manual o cuando no esté en uso.

Procedimiento de limpieza / desinfección del sistema

Para limpiar los componentes interiores de la Opal, complete los siguientes pasos:

1. Desenchufe la Opal.
2. Retire el filtro de agua (de estar presente), y reemplace el mismo por la tapa de entrada con malla al depósito. Consulte la figura 1.
3. Drene la Opal (para acceder a instrucciones detalladas, consulte la página 8).
4. Enchufe la Opal y deslice el selector trasero hasta la posición "clean" (limpiar). Consulte la figura 2.
5. El anillo de la pantalla se iluminará de color amarillo y parpadeará. Consulte la figura 3.

NOTA: No use jabón para limpiar el depósito de agua.

6. Cree una solución de cinco tazas de agua y una cantidad de blanqueador hogareño del tamaño de una cucharada de té. Para más información sobre cómo eliminar depósitos minerales duros, consulte la página 8.

7. Vierta la solución en el depósito de agua. Consulte la figura 4.

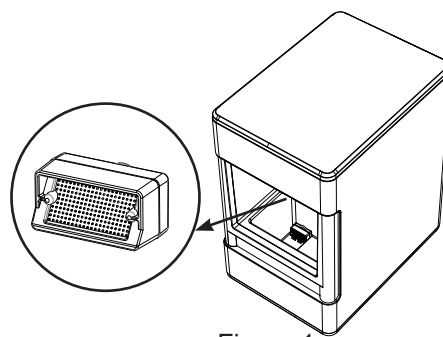


Figura 1

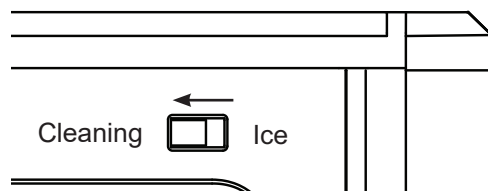


Figura 2

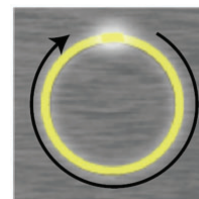


Figura 3

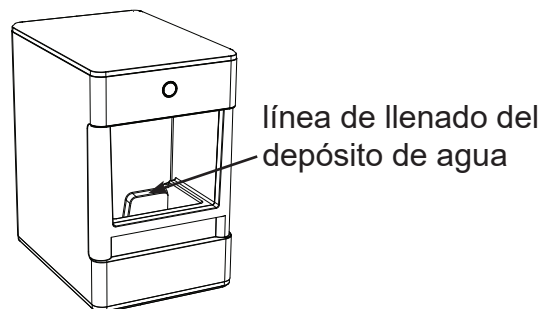


Figura 4

Cuidado y limpieza

Procedimiento de limpieza / desinfección del sistema

- Presione el botón de la pantalla para iniciar el proceso de limpieza; la luz comenzará a girar y escuchará la circulación de agua. Luego de tres minutos, el agua se detendrá y la luz comenzará a parpadear nuevamente.
- Cuando la luz parpadee, drene la Opal.
- Desenganche la parte superior de las mangueras de drenaje sobre la parte trasera de la unidad. Consulte la figura 5.
- Luego coloque las mismas para que drenen en un lavabo o balde que se encuentre debajo del nivel de la máquina de hielo. Consulte las figuras 6 y 7.
- Retire los enchufes y deje que el agua se drene completamente. Consulte la figura 7.
- Una vez que el flujo de agua finalice, vuelva a insertar los tapones de drenaje.
- Agregue cinco tazas de agua fresca al depósito de agua, y presione el botón. El anillo de la luz se encuentra dividido en cuatro secciones que indican cada etapa. Cada cuarto del anillo se volverá, de forma sucesiva, más brillante con cada ciclo de enjuague.
- Enjuague tres veces con agua fresca. Repita los pasos 7 a 14 dos veces más, agregando agua fresca al depósito cada vez. (Puede continuar repitiendo el ciclo de enjuague tantas veces como lo desee).
- Reemplace las tuberías de desagüe en la parte trasera. Consulte la figura 8.
- Una vez completado, vuelva a deslizar el selector trasero hasta el modo "Ice" (Hielo). Consulte la figura 9.

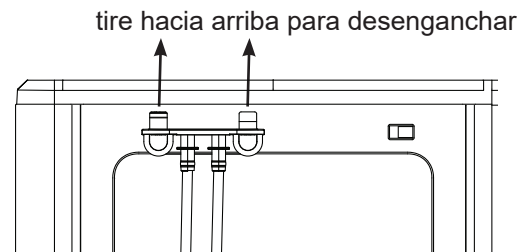
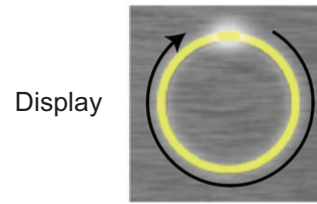


Figura 5

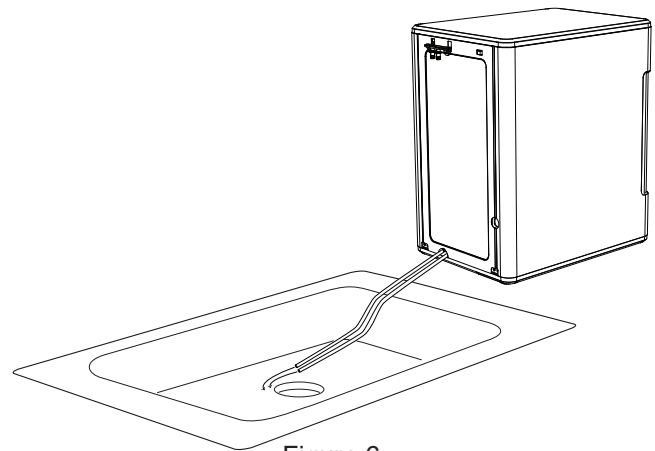


Figura 6

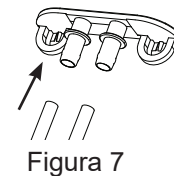


Figura 7

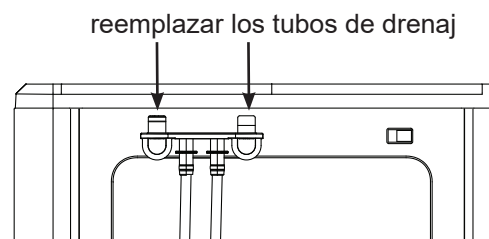


Figura 8

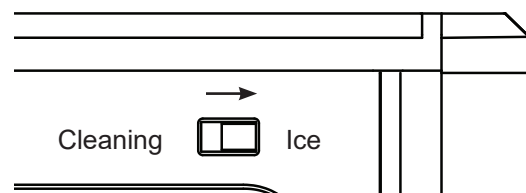


Figura 9

Cuidado y limpieza

Remoción de depósitos minerales

1. Llene el depósito con vinagre hasta la línea de llenado máximo y ejecute hasta tres ciclos de limpieza. O compre un kit de limpieza Opal y siga las instrucciones en el interior.
2. Si usa vinagre, deje el vinagre en la unidad durante 18 horas y coloque una toalla empapada en vinagre en el conducto de hielo durante la noche para disolver aún más la acumulación de minerales.
3. Limpie los sensores con vinagre y limpie con agua. Después de drenar el vinagre, ejecute tres ciclos de enjuague, usando agua fresca para cada enjuague.

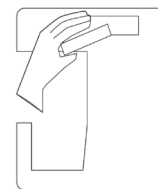


Figura 10

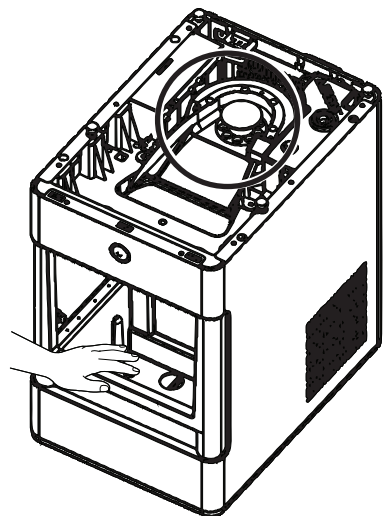


Figura 11

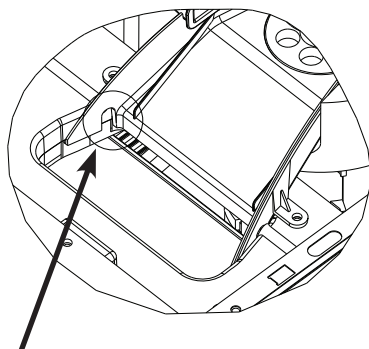


Figura 12

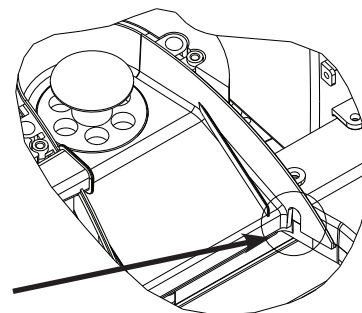


Figura 13

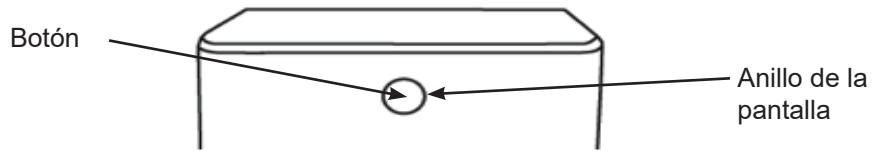
Limpieza de la papelera y la bandeja

Para limpiar el depósito de hielo, retire el depósito de hielo de la fábrica de hielo y límpielo con un paño suave humedecido con agua jabonosa. Enjuague bien. Secar con un paño suave. No use solventes o productos químicos.

La bandeja de goteo debe limpiarse en seco. El agua que queda en esta área puede dejar depósitos. Para limpiar la bandeja de goteo, retire la bandeja de Opal y use un paño suave humedecido con agua jabonosa suave para limpiar suavemente la superficie. Secar con un paño suave. No use solventes o productos químicos.

Comprensión de la pantalla

La Opal utiliza un innovador anillo iluminado que le permite saber qué está haciendo la misma.



Botón

Presione una vez para encender y apagar la Opal. Mantenga presionado durante 3 segundos para atenuar la iluminación interior, si así lo desea.

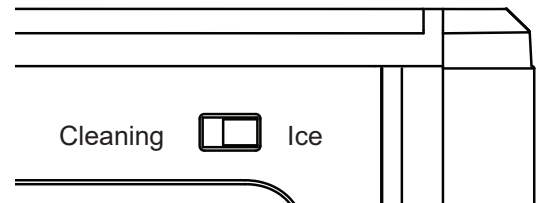
Anillo de la pantalla

Estado de la pantalla de la máquina de hielo Opal. Vea los detalles a continuación.

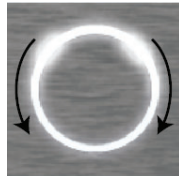
Selector de modo (ubicado en la parte trasera)

El selector en la posición "Ice" (Hielo) ubica la Opal en el modo de fabricación de hielo.

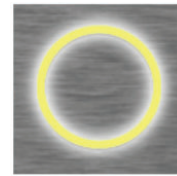
El selector en la posición "Cleaning" (Limpieza) ubica la Opal en el modo de limpieza.



Blanco en descenso: La Opal está actualmente fabricando hielo.



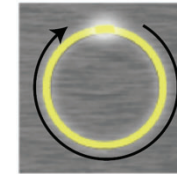
Amarillo con parpadeo: La Opal se encuentra en el modo de limpieza, esperando la confirmación para drenar y volver a llenarse.



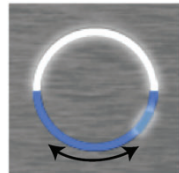
Blanco sólido: El recipiente para hielo está lleno. La Opal ya no continúa fabricando hielo.



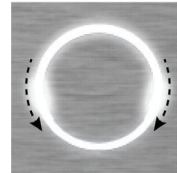
Amarillo giratorio: La Opal está enjuagando (modo de limpieza).



Azul con borboteo: La Opal necesita más agua.



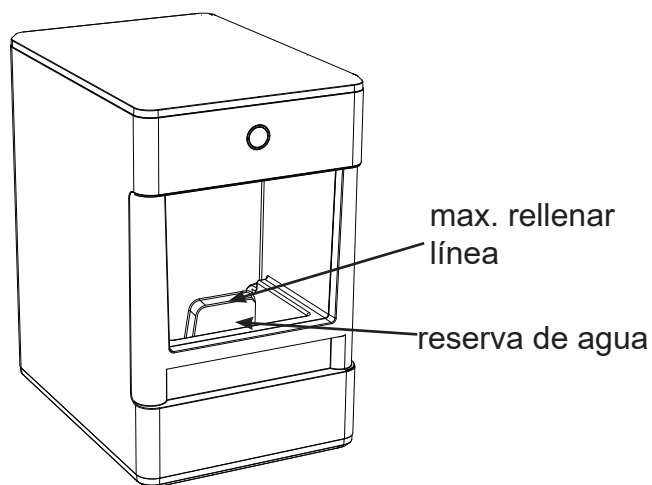
Blanco lentamente en descenso: La Opal está descongelando. Por favor no desenchufe ni apague la misma; este proceso toma 30 minutos.



Fabricación de hielo con la Opal

Una vez finalizada la limpieza de la Opal, traslade la máquina de hielo hasta su ubicación deseada y complete los siguientes pasos:

1. Retire el recipiente para hielo.
2. Llene el depósito con agua potable (segura para beber) hasta la línea de "Llenado Máximo". La dureza del agua deberá ser inferior a 12 granos por galón. No llene el depósito con ningún otro líquido que no sea agua. El uso de cualquier líquido que no sea agua potable se considerará como uso incorrecto y anulará su garantía.
3. Enchufe la máquina de hielo en un tomacorriente conectado a tierra.
4. Presione el botón de la pantalla para iniciar la máquina de hielo. La pantalla parpadeará de color verde para indicar que la máquina de hielo se encuentra en ON (Encendida), y luego pase a la pantalla de blanco en descenso.
5. La Opal comenzará a producir hielo en aproximadamente entre 15 y 30 minutos. Ésta continuará fabricando hielo hasta que el recipiente esté lleno o se quede sin agua. Para continuar fabricando hielo, sólo agregue más agua.



Drenaje de la Opal

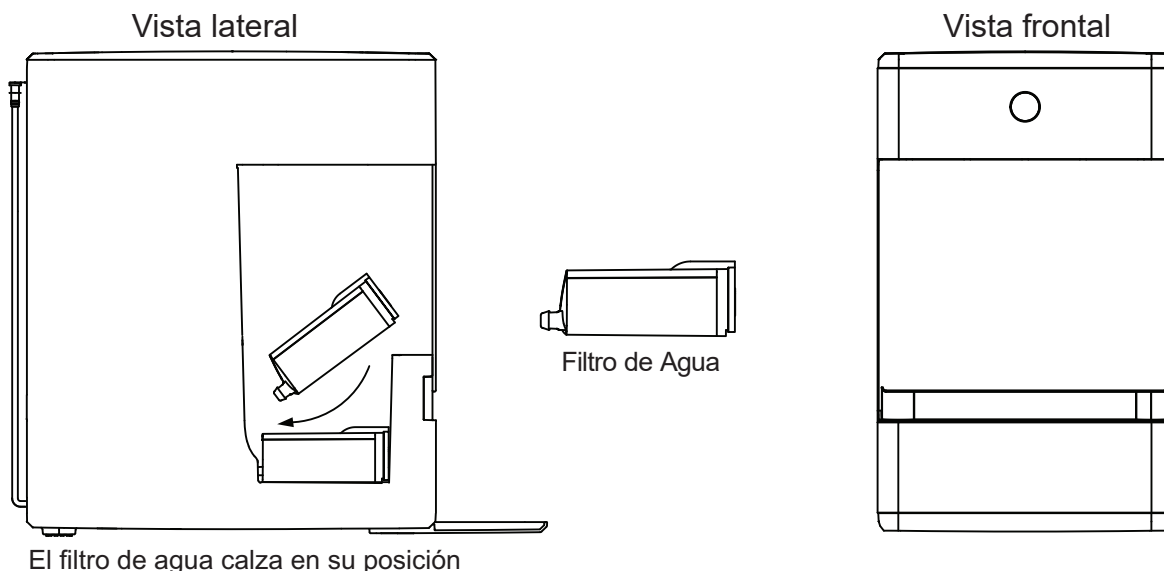
Le recomendamos drenar la Opal cuando:

1. La guarde, o en cualquier momento es que sea reubicada.
2. La mantendrá apagada por más que unos pocos días. (Por ejemplo: vacaciones)
3. No esté usando mucho hielo. La recirculación continua de agua derretida podrá afectar el gusto. Para obtener mejores resultados, drene la Opal.

Filtro de Agua

El Filtro de Agua de la Opal, disponible en GEAppliances.com, es el único filtro de agua compatible con la Opal. Por favor, siga las instrucciones de instalación incluidas con su filtro.

NOTA: Retire su filtro de agua (si se encuentra instalado) y vuelva a instalar la tapa de entrada con malla antes de limpiar la Opal.



Accesorio Del Tanque Lateral

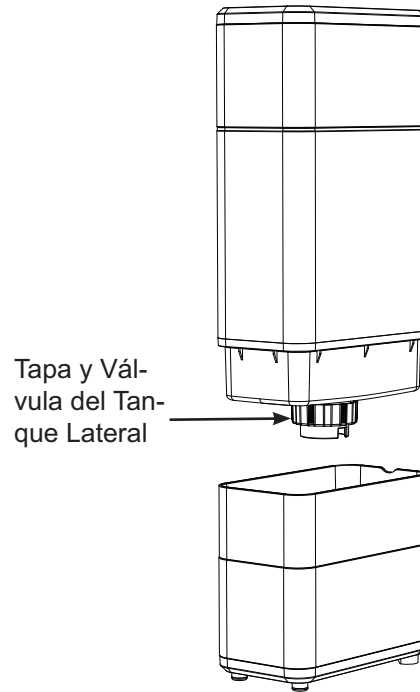
NOTA: El Accesorio del Tanque Lateral sólo se incluye con el número de modelo OPAL01GEPKT y OPAL01GENKT.

NOTA: Hay dos tuberías de desagüe ubicadas en la parte trasera de su Máquina de Pepitas de Hielo Opal, indicadas como tuberías de desagüe A y B en la ilustración que se encuentra en la página 12.

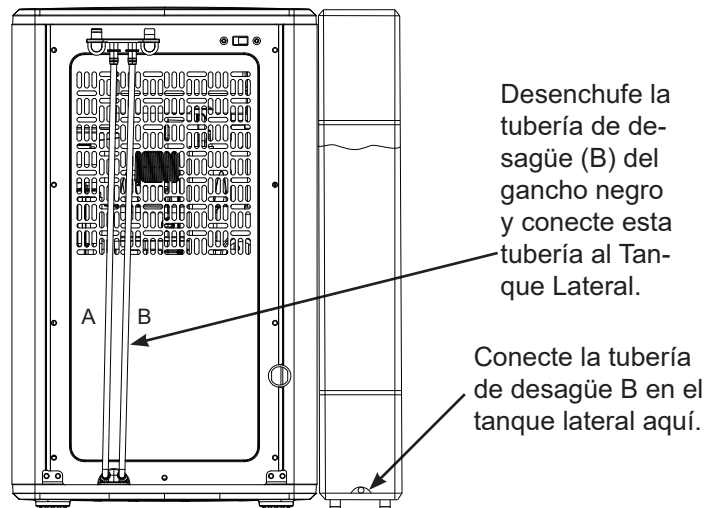
1. Lavado Manual Únicamente: Enjuague y lave manualmente el Tanque Lateral de la Opal con agua caliente y un detergente para platos suave. Retire la tapa del Tanque Lateral de la Opal y lave la tapa y la válvula de goma con agua y un detergente para platos suave. La base del Tanque Lateral se podrá lavar desconectando la manguera y agregando una pequeña cantidad de agua con jabón a ésta. Frote todo lo que sea necesario y enjuague completamente. El agua del enjuague deberá ser drenada a través del puerto de la parte trasera.

Enjuague bien la tapa, la válvula de goma, el tanque y la base, a fin de eliminar cualquier residuo de jabón (consulte la ilustración).

NO LAVE EL TANQUE LATERAL DEL LAVAVAJILLAS.



2. Desenchufe la Máquina de Pepitas de Hielo de la Opal. Desenganche las tuberías de desagüe de la Opal y drene el agua de la reserva.
3. Conecte la tubería de desagüe, con la etiqueta B, a la parte trasera de la base del Tanque Lateral de la Opal.
4. Asegúrese de que la tubería de desagüe (A) esté conectada al gancho negro e instalada en la parte trasera de la Opal.
5. Asegúrese de que la tubería de desagüe (B) que se conecta al Tanque Lateral esté colocada de forma plana sobre la mesada.

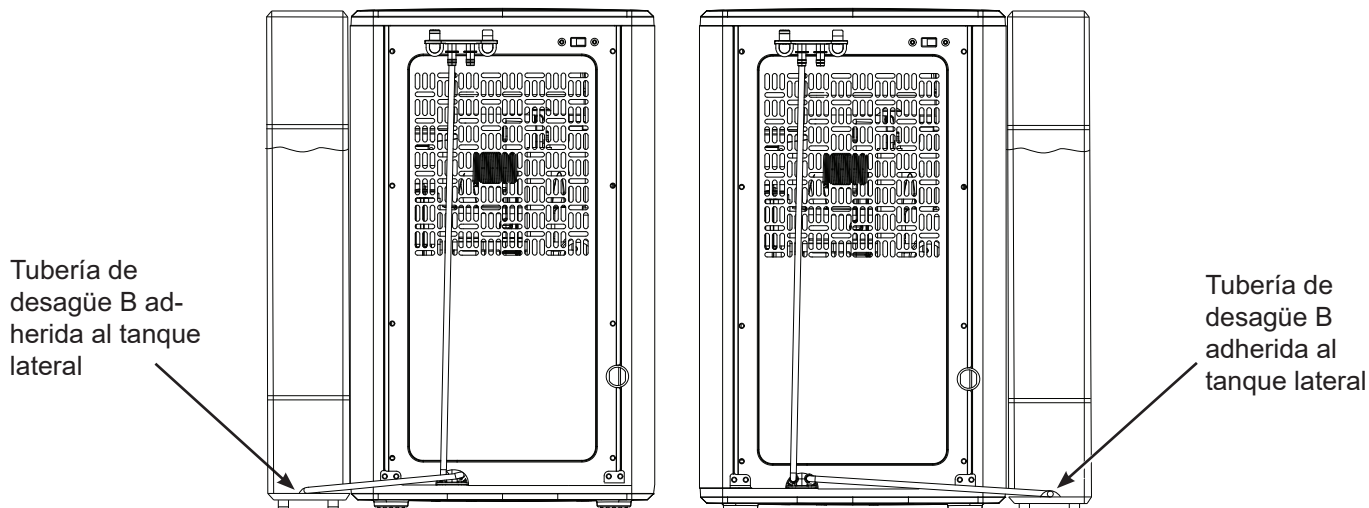


Accesorio Del Tanque Lateral

NOTA: El Accesorio del Tanque Lateral sólo se incluye con el número de modelo OPAL01GEPKT y OPAL01GENKT.

6. Coloque el Tanque Lateral de la Opal contra la Máquina de Pepitas de Hielo de la Opal, de modo que los imanes del Tanque Lateral queden adheridos a la máquina de hielo. El Tanque Lateral de la Opal podrá ser instalado en cualquiera de los laterales de su Máquina de Pepitas de Hielo Opal.

NOTA: Se deberá tener cuidado de conectar la tubería de desagüe correcta al Tanque Lateral de la Opal. La tubería de desagüe (B) siempre deberá estar conectada al Tanque Lateral, ya sea que se encuentre instalada del lado izquierdo o del lado derecho de la Máquina de Pepitas de Hielo Opal.



7. Retire el depósito limpio del Tanque Lateral de la Opal de su base.

8. Desenrosque la tapa del Tanque Lateral de la Opal del depósito. Llene el depósito despejado con agua.

9. Reemplace la tapa del Tanque Lateral de la Opal. Asegúrese de que la tapa esté limpia al realizar su instalación.

10. Con cuidado, dé vuelta el depósito del Tanque Lateral de la Opal y coloque el mismo en la base. El agua deberá comenzar a circular por la Máquina de Pepitas de Hielo de la Opal y aparecerán burbujas en el Tanque Lateral de la Opal de forma periódica durante el tiempo en el cual el agua esté circulando hacia la máquina de hielo.

NOTA: Si no se observa la circulación de agua dentro de la máquina de hielo, por favor controle lo siguiente:

- Es posible que haya burbujas en la tubería de desagüe (B) que se encuentra conectada al Tanque Lateral de la Opal.
- La tubería (B) no está colocada de forma plana.

Si se produjo alguno de los problemas anteriores, ajuste la tubería (B) para permitir la circulación del agua.

11. Llene el depósito de la Máquina de Pepitas de Hielo Opal.

12. Enchufe la Máquina de Pepitas de Hielo Opal, y comience a producir hielo.

Accesorio Del Tanque Lateral

NOTA: El Accesorio del Tanque Lateral sólo se incluye con el número de modelo OPAL01GEPKT y OPAL01GENKT.

▲ ADVERTENCIA

A fin de reducir el riesgo de descargas eléctricas o lesiones al usar la Opal, siga estas precauciones básicas de seguridad:

- Desenchufe el producto antes de realizar la limpieza manual o cuando no esté en uso.
- No use la misma con agua que no sea segura a nivel microbiológico o de calidad desconocida.
- Tenga cuidado al llenar e instalar el Tanque Lateral de la Opal, ya que la unidad llena podrá ser pesada.
- No use este tanque lateral con otros líquidos que no sean agua.
- Los niños no deberán llenar ni instalar el Tanque Lateral de la Opal, ya que la unidad llena podrá ser pesada.
- Asegúrese de que la Máquina de Pepitas de Hielo Opal esté desenchufada al drenar el depósito e instalar el Tanque Lateral de la Opal.
- Asegúrese de que el Tanque Lateral de la Opal se encuentre instalado en una superficie nivelada que se mantenga estable cuando el Tanque Lateral de la Opal esté lleno.
- Asegúrese de que la tapa del Tanque Lateral permanezca limpia durante el llenado y el funcionamiento. El usuario se deberá lavar y secar las manos antes de abrir y cerrar la tapa.

Uso y Cuidado

Limpieza del Tanque Lateral

- Retire y drene el Tanque Lateral.
- Si quedan residuos de agua en la unidad de la base del Tanque Lateral de la Opal, dé vuelta la base del Tanque Lateral de la Opal a fin de drenar el mismo.
- Retire y lave la tapa del Tanque Lateral de la Opal y la válvula con detergente para platos y agua caliente, según sea necesario. Asegúrese de que la tapa esté limpia luego de retirar y volver a colocar la misma de forma manual.
- Sólo retire la tuberías de desagüe cuando se encuentren cerca de un lavabo o balde, ya que retirar la tuberías de desagüe de la Opal o del Tanque Lateral de la Opal producirá el desagüe de cualquiera de estas unidades.

Instalación y Ubicación Correctas

El tanque lateral deberá ser instalado de forma nivelada con el frente de la Máquina de Pepitas de Hielo Opal, de modo que no bloquee las ventilaciones del flujo de aire de la Máquina de Pepitas de Hielo Opal. Es necesario apoyar el Tanque Lateral de la Opal en una superficie del mismo nivel que su Máquina de Pepitas de Hielo Opal. No eleve el Tanque Lateral de la Opal, ya que éste se podrá desbordar.

Para Eliminar Depósitos Minerales

Mezcle dos cuartos de galón de agua con dos cuartos de galón de vinagre, O use el Kit de Limpieza de la Opal. Limpie cualquier acumulación de minerales o depósitos visibles con esta solución. Si se encuentran depósitos presentes en el tanque, llénelo con esta solución y deje el mismo en remojo. Asegúrese de drenar y enjuagar el tanque completamente luego de la limpieza. Los depósitos difíciles de eliminar podrán requerir más de un tratamiento.

Soluciones de Problemas del Tanque Lateral

Si no fluye agua desde el Tanque Lateral hasta la Máquina de Hielo Opal:

Es posible que haya burbujas en la tubería conectada al tanque lateral de la opal o que no esté colocada de forma plana. Intente ajustar la tubería para permitir que el agua circule. Una vez que el agua comience a circular, normalmente no hará falta ningún otro ajuste.

Sonidos Normales

Es posible que su nueva máquina de hielo produzca sonidos que no sean conocidos. La mayoría de estos sonidos son normales. Las superficies duras como el piso, las paredes y las mesadas pueden amplificar estos sonidos. A continuación se describen los sonidos que pueden ser nuevos para usted y aquello que pueda estar creando dichos sonidos.

- **RUNRUNEO** – Al encender la Opal por primera vez, es posible que observe que el ventilador del condensador está girando.
- **PITIDO** – Cuando la bomba de agua es encendida por primera vez, es posible que esté seca o levemente ruidosa. Una vez llena de agua, el sonido se reducirá de forma significativa.
- **REPIQUETEO** – Es posible que los sonidos de repiqueteo sean producidos desde el flujo del refrigerante. Estos sonidos deberían reducirse de forma significativa una vez que el sistema de refrigeración se encuentre estabilizado.
- **GORGOTEO** – Cuando el sistema de refrigeración se apague, es posible que haya un gorgoteo breve cuando el refrigerante deje de circular.
- **ZUMBIDO** – El compresor es un motor. Produce un zumbido en un tono bajo mientras se encuentra en funcionamiento.
- **CLIC** – A medida que las pepitas de hielo son producidas, las mismas caen en el cajón de hielo. Las primeras pepitas producidas son las que mayor ruido hacen, ya que impactan contra el fondo del recipiente de hielo. A medida que el recipiente se llena, el ruido se reduce significativamente.
- **CHILLIDO** – Cuando sea necesario descongelar la Opal, podrá comenzar a realizar chillidos a medida que el hielo comience a acumularse en torno a los mecanismos. El ciclo de descongelación es automático, y podrá tomar entre 30 y 45 minutos. Durante este tiempo, el botón frontal no responderá.

Interferencia de frecuencias radiales

Este producto fue probado y se determinó que cumple con los límites establecidos por el Título 47 CFR Parte 15 – Dispositivos emisores de Frecuencias Radiales. Su funcionamiento está sujeto a las condiciones siguientes: (1) Este dispositivo no deberá causar interferencias nocivas y (2) Este dispositivo deberá aceptar cualquier interferencia recibida, incluyendo interferencias que puedan generar un funcionamiento no deseado. Este equipo genera, usa y puede emitir energía de radiofrecuencia y, si no se utiliza de acuerdo con las instrucciones, podrá ocasionar interferencias perjudiciales para las comunicaciones de radio. Si el equipo no genera interferencias perjudiciales para la recepción de radio o televisión, lo que puede comprobar desenchufando la Opal, se aconseja al usuario intentar corregir la interferencia a través de una o más de las siguientes medidas:

- Reoriente o reubique las antenas de TV o radio.
- Incremente la distancia entre el producto y la TV o la radio.
- Enchufe la Opal en un tomacorriente diferente al de la radio o la TV.

El transmisor no deberá ser ubicado con ni estar en funcionamiento con otras antenas o transmisores.

Especificaciones del Producto

Descripción del producto	Máquina de pepitas de hielo portátil
Voltaje/Frecuencia	120V AC/60Hz
Corriente	2.5A
Capacidad de almacenamiento de hielo	3,0 libras
Promedio de fabricación de hielo	24 libras por día / 1 libra por hora*
Dimensiones (ancho x grosor x alto)	10.5 pulg. x 14 pulg. x 17 pulg
Espacios libres para la instalación (costados y parte trasera)	3 pulg
Ambiente de funcionamiento	55°F - 90°F
Peso (cuando está vacía)	44 libras
Peso (cuando está vacía) fabricante de hielo solamente	40.9 lbs
Peso (cuando está vacía) tanque lateral solamente	3.1 lbs

NOTA: Datos técnicos e información de rendimiento provista como referencia únicamente.

Las especificaciones están sujetas a cambios. A fin de contar con la información más precisa, consulte la etiqueta de clasificación de su máquina de hielo.

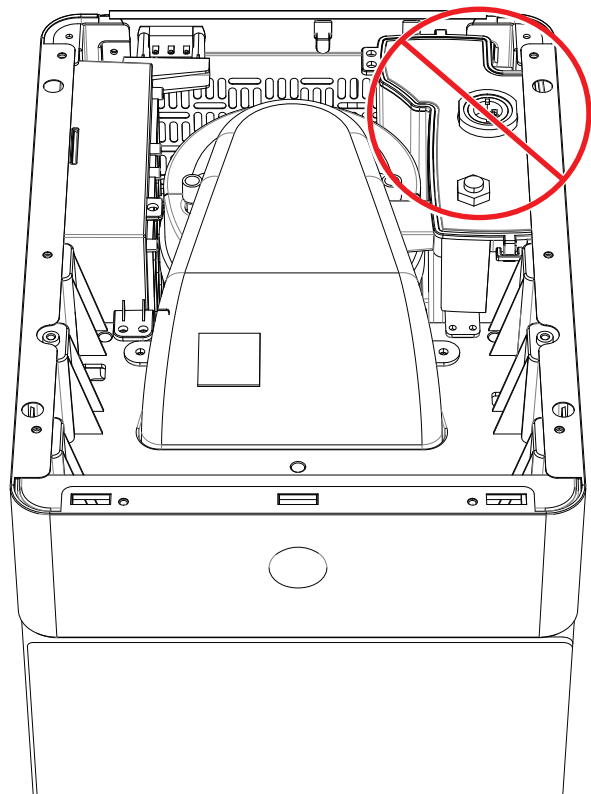
***La cantidad real de hielo producida variará de acuerdo con las condiciones ambientales.**

NOTA: Productos que contienen refrigerante

Este producto contiene un refrigerante, que de acuerdo con la Ley Federal deberá ser eliminado antes de descartar el producto. Si descartará éste o cualquier producto refrigerante, solicite la orientación de su empresa de residuos local.

⚠ ADVERTENCIA A fin de evitar la exposición a la radiación ultravioleta, desconecte la corriente de la máquina de hielo antes de retirar las tapas exteriores.

No intente reparar ni reemplazar la lámpara ultravioleta.



Garantía Limitada de la máquina de pepitas de hielo Opal

GEAppliances.com

Tenga a mano su número de serie y su número de modelo cuando solicite servicio técnico. Llame al 1.866.907.6718 para preguntas de servicio.

Por el período de:	GE Appliances Reemplazará:
Un Año A partir de la fecha de la compra original	Cualquier parte del acondicionador de aire que falle debido a defectos en los materiales o en la fabricación. Durante esta garantía limitada de un año , GE Appliances también proporcionará, sin costo alguno, toda la mano de obra y el servicio relacionado—para reemplazar partes defectuosas.

Qué No Cubrirá GE Appliances:

- Viajes del servicio técnico hasta su ubicación.
- Instalación, entrega o mantenimiento inadecuados.
- Fallas del producto en caso de abuso, mal uso, o uso para propósitos diferentes al original o uso comercial.
- Reemplazo de fusibles de la casa o reinicio de disyuntores.
- Daño causado después de la entrega.
- Reemplazo de las bombillas de luz, si están incluidas.
- Daños ocasionados sobre el producto por accidente, incendio, inundaciones o catástrofes naturales.
- Daños incidentales o consecuentes causados por posibles defectos sobre este producto.
- Errores de software que pueden ser corregidos con una actualización a través de la Aplicación de Opal.
- Trabajo y otros costos para instalar y/o retirar el producto.

EXCLUSIÓN DE GARANTÍAS IMPLÍCITAS—Su único y exclusivo derecho es la reparación del producto, tal y como se indica en esta Garantía limitada. Cualquier garantía implícita, incluyendo las garantías implícitas de comerciabilidad o adecuación para un fin determinado, están limitadas a dos años o el período de tiempo más breve permitido por la ley.

Para la venta en los 50 Estados Unidos y el Distrito de Columbia únicamente: Para clientes de EE. UU. : esta garantía limitada se extiende al comprador original de los productos comprados para uso doméstico dentro de los EE. UU. En Alaska y Hawái, la garantía limitada no incluye los costos de envío de unidades.

Algunos estados no permiten la exclusión o las limitaciones de daños incidentales o consecuenciales. Esta garantía limitada da derechos legales específicos, y usted podría tener otros derechos que variarán de estado a estado.

Para saber cuáles son sus derechos legales, consulte a la oficina de asuntos del consumidor local o la oficina del Attorney General en su localidad.

Garante: GE Appliances, a Haier company
Louisville, KY 40225

Grape aquí su recibo. Se requiere facilitar prueba de la fecha de compra original para obtener un servicio bajo la garantía.

Soporte al Cliente

Registre su Electrodoméstico

¡Registre su electrodoméstico nuevo a través de Internet, según su conveniencia! Un registro puntual de su producto permitirá una mejor comunicación y un servicio más puntual de acuerdo con los términos de su garantía, en caso de surgir la necesidad. También puede enviar una carta en la tarjeta de inscripción preimpresa que se incluye con el material embalado.

En EE.UU.: **GEAppliances.com/register o visite myopalservice.com para enviar una solicitud de servicio**

Contáctenos

Si no se encuentra satisfecho con el servicio que recibió de GE Appliances, comuníquese con nosotros a través de nuestro sitio Web con todos los detalles, incluyendo su número telefónico, o escriba a:

En EE.UU.: General Manager, Customer Relations | GE Appliances, Appliance Park | Louisville, KY 40225

GEAppliances.com/contact

En Canada: Director, Consumer Relations, MC Commercial Inc. | Suite 310, 1 Factory Lane | Moncton, N.B. E1C 9M3

GEAppliances.ca/en/contact-us

Free Manuals Download Website

<http://myh66.com>

<http://usermanuals.us>

<http://www.somanuals.com>

<http://www.4manuals.cc>

<http://www.manual-lib.com>

<http://www.404manual.com>

<http://www.luxmanual.com>

<http://aubethermostatmanual.com>

Golf course search by state

<http://golfingnear.com>

Email search by domain

<http://emailbydomain.com>

Auto manuals search

<http://auto.somanuals.com>

TV manuals search

<http://tv.somanuals.com>