

OpalTM

nugget ice

Safety information	2
What's included in the box	4
Getting started	5
Care and cleaning	5
Understanding the display	8
Making ice with Opal	9
Draining Opal	9
Firstbuild app for Opal	10
Water filter	10
Normal sounds	11
Radio frequency interference	11
Product specifications	12
Warranty	13

Learn more about Opal
www.nuggetice.com

Write Model and Serial numbers here

Model # _____

Serial # _____

Model and Serial numbers are located on the back of your product.

SAFETY INFORMATION

WARNING

To reduce the risk of fire, explosion, electric shock, exposure to UV radiation, or injury when using your Opal, follow these basic safety precautions:

- **Do not, under any circumstances, alter or remove the third (ground) prong from the power cord. For personal safety, this product must be properly grounded.**
- Do not exceed power outlet ratings. It is recommended that the ice maker is connected to its own circuit. Use only a 115 V, 60 Hz standard electrical supply that is properly grounded in accordance with the National Electric Code and local codes and ordinances.
- Due to potential safety hazards under certain conditions, we strongly advise against the use of an extension cord. However, if you must use an extension cord, it is absolutely necessary that it is a UL-listed, 3-wire ground type appliance extension cord having a grounding type plug and that the electrical rating of the cord be 15 Amperes (minimum) and 120 Volts.
- This product must be properly installed and located in accordance with the installation instructions before it is used. Product is for indoor household use only. Do not use outdoors.
- Do not store or use flammable vapors or liquids near this product.
- Do not allow children to climb, stand, or hang on the ice maker. They could seriously injure themselves.
- Do not look directly at UV lamp when it is operating. The light emitted by the lamp will cause serious eye damage and burn unprotected skin.
- In order to avoid exposure to UV radiation, disconnect power to the ice maker before removing the external covers.
- Do not use with water that is micro-biologically unsafe or of unknown quality.
- Place power cord in such a way it cannot be pulled on by children or cause a tripping hazard.
- Place power cord in such a way that it is not in contact with hot surfaces.
- Do not operate if any component, including the cord or plug, is damaged. Contact FirstBuild for repair or replacement. See page 13 for more information.
- Unplug the product before cleaning by hand and when not in use.
- Do not immerse any part of the product in water.
- Do not plug or unplug product with wet hands.
- Do not attempt to disassemble, repair, modify, or replace any part of your product. See page 13 for Warranty information.
- Use this product only for its intended purpose as described in this user manual.
- Do not use any accessories not recommended by the manufacturer.

CAUTION

To reduce the risk of injury when using your Opal, follow these basic safety precautions:

- Do not remove any safety, warning, or product information labels from your ice maker.
- Lifting Hazard: It is recommended to have two people move and install the ice maker in order to prevent injury.

CONSIGNES DE SÉCURITÉ

⚠ AVERTISSEMENT

Pour réduire le risque d'incendie, d'explosion, de choc électrique, d'exposition aux rayons UV ou de blessure lors de l'utilisation de votre Opal, observez les consignes de sécurité élémentaires suivantes.

- **En cas, vous ne devez modifier ni retirer la troisième broche (terre) du cordon électrique. Pour votre sécurité, ce produit doit être correctement mis à la terre.**
- N'excédez pas les valeurs nominales de la prise électrique. Nous recommandons que la machine à glaçons soit branchée à son propre circuit. Utilisez uniquement une alimentation électrique standard de 115 V, 60 Hz, correctement mise à la terre conformément au code national de l'électricité et aux codes et règlements locaux en vigueur.
- En raison de risques potentiels pour la sécurité dans certaines conditions, nous vous mettons fortement en garde contre l'utilisation d'un cordon prolongateur. Si toutefois vous devez utiliser un cordon prolongateur, celui-ci doit présenter les caractéristiques suivantes : type pour électroménagers à trois broches avec mise à la terre, fiche avec mise à la terre, homologation UL, valeurs nominales de 15 ampères (minimum) et 120 volts.
- Ce produit doit être installé correctement et placé conformément aux instructions d'installation avant son utilisation. Ce produit est destiné à un usage domestique à l'intérieur seulement. Ne l'utilisez pas à l'extérieur.
- Ne rangez ni n'utilisez des vapeurs ou des liquides inflammables à proximité de ce produit.
- Ne permettez pas aux enfants de grimper sur la machine à glaçons, ni de s'y tenir ou s'y agripper. Ils pourraient se blesser gravement.
- Ne regardez pas la lampe UV directement lorsqu'elle est allumée. La lumière émise par la lampe peut causer des lésions sévères aux yeux ou brûler la peau non protégée.
- Afin de prévenir l'exposition aux radiations UV, débranchez l'alimentation électrique à la machine à glaçons avant de retirer les couvercles extérieurs.
- N'utilisez pas d'eau impropre à la consommation ou de qualité douteuse sur le plan microbiologique.
- Placez le cordon électrique de façon qu'il ne soit pas tiré par les enfants et qu'il ne pose pas un risque de trébuchement.
- Placez le cordon électrique de façon qu'il ne touche pas aux surfaces chaudes.
- Ne faites pas fonctionner l'appareil si un de ses composants, cordon et fiche inclus, est endommagé. Communiquez avec FirstBuild pour une réparation ou un remplacement. Voir la page 13 pour de plus amples renseignements.
- Débranchez le produit avant de le nettoyer à la main ou lorsqu'il n'est pas utilisé.
- N'immergez aucune pièce de ce produit dans l'eau.
- Ne branchez ni ne débranchez le produit avec les mains mouillées.
- Ne tentez pas de démonter, réparer, modifier ou remplacer une pièce quelconque de ce produit. Voir la page 13 pour des renseignements sur la garantie.
- Utilisez ce produit uniquement aux fins auxquelles il est destiné qui sont décrites dans ce manuel d'utilisation.
- N'utilisez aucun accessoire qui n'est pas recommandé par le fabricant.

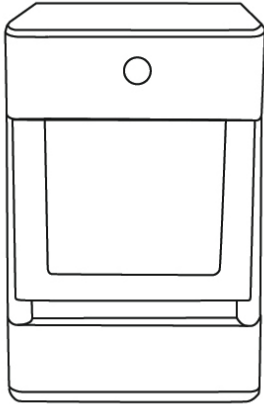
⚠ ATTENTION

Pour réduire le risque de blessure lors de l'utilisation de votre Opal, observez les consignes de sécurité élémentaires suivantes :

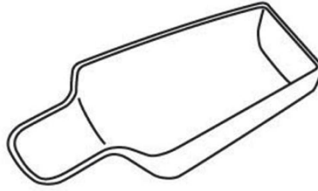
- Ne retirez aucune étiquette apposée sur la machine à glaçons qui présente des renseignements sur la sécurité, les avertissements ou le produit.
- Risque associé à une charge lourde : Nous recommandons que deux personnes déplacent et installent la machine à glaçons afin de prévenir les blessures.

Lisez , suivre, et conserver ces instructions .

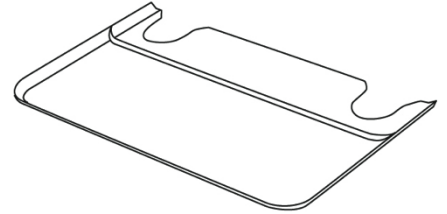
What's included in the box



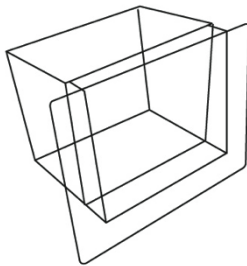
Opal ice maker



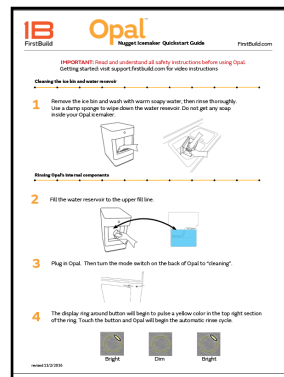
Ice scoop



Drip tray



Ice bin



Quick start guide

Getting started

Installation requirements

⚠ CAUTION

Lifting Hazard: It is recommended to have two people move and install the ice maker in order to prevent injury.

- Product is designed to be installed indoors. Do not use your ice maker outdoors.
- Product must be installed upright on a flat, level surface that is able to support the total weight when full of water.
- Ensure a minimum of three inches (3") clearance around the side and back walls of the ice maker for proper air circulation.
- Do not place Opal directly below under cabinet lighting.
- Install the product in a well-ventilated area with an ambient temperature between 55°F and 90°F.
- Do not place the product near heat sources such as ovens or cooktops.
- Do not place the product in direct sunlight.

Prepare Opal for use

1. Carefully remove packing material. Do not use sharp tools that can damage the box contents.
2. Ensure all components are present. If any item is missing, please contact support@firstbuild.com.
3. Place the ice maker upright on a flat, level surface and plug it in.
4. Install drip tray by sliding it under the front edge of Opal. The tray slots should align with the front feet of Opal.
5. **Rinse the ice maker with clean water for five minutes before first use.** Start with step 4 of cleaning instructions on page 6. It is not necessary to use bleach for the first rinse.

Care and cleaning

To keep your nugget ice tasting fresh and your Opal looking great, we recommend cleaning your opal **at least once per week**.

⚠ WARNING

Unplug the product before cleaning by hand, and when not in use.

To clean the **exterior** of the ice maker, unplug the product, then use a soft cloth dampened with soapy water to gently clean the exterior surfaces. Dry with a soft cloth.

The exterior stainless steel surfaces can be cleaned with commercially available stainless steel cleaner. Use only a liquid cleaner free of grit and rub in the direction of the brush lines with a damp, soft sponge. **Do not use appliance wax, polish, solvents, or chemicals on the stainless steel. Do not use soap to clean the reservoir. Use a soft cloth moistened with water.**

Care and cleaning (continued)

⚠ WARNING

Chemical Exposure Hazard, when cleaning with Bleach, use bleach in a well ventilated area and avoid mixing bleach with other household cleaners.

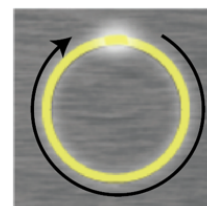
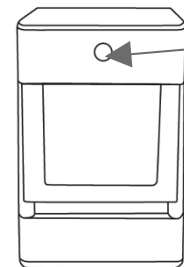
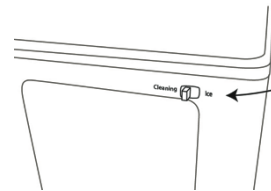
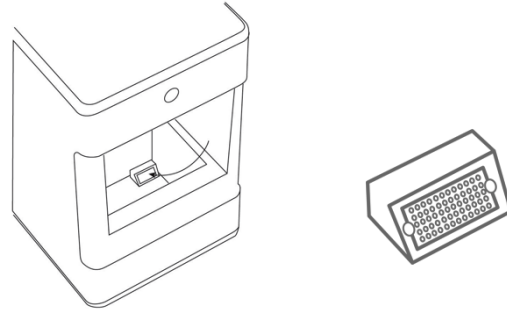
To clean Opal's internal components, complete the following steps:

For First Time Use only, Start at Step 4 :

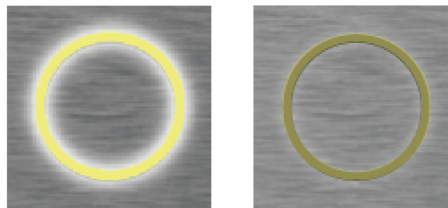
1. Unplug Opal and remove drip tray
2. **Remove filter** (if present), and replace with the reservoir's screened intake cap.
3. Drain Opal (see page 9 for detailed instructions).
4. Plug in Opal and slide the rear switch to the "Clean" position.
5. The display ring will light up yellow and pulse.

NOTE: Do not use soap to clean the water reservoir. Do not clean Opal immediately after use, wait at least 1 hour.

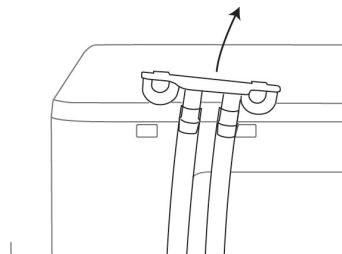
6. Create a solution of five (5) cups water and one (1) tsp household bleach.
7. Pour solution into water reservoir.
8. Touch the display button to start the cleaning process, the light will start to spin and you will hear water circulating. After three minutes the water will stop and the light will begin to pulse again.



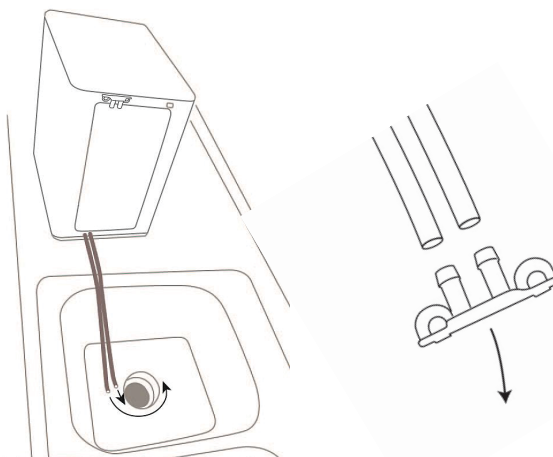
9. When the light pulses, drain Opal.



10. Unhook the top of the drain hoses at the back of the unit. Then lay them down to drain into a sink or bucket that is below the level of the ice maker. Remove the plugs and allow the water to completely drain.

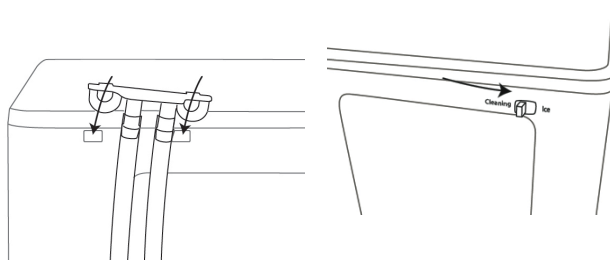


11. Once water stops flowing, re-insert the drain plugs.
12. Add five (5) cups of fresh water to the water reservoir, and touch the button. The light ring is divided into four sections to indicate each stage. Successive quarters of the ring will become brighter with each rinse cycle.



13. **Rinse three (3) times with fresh water.** Repeat steps 7 through 12 three (3) more times, adding fresh water to the reservoir each time. (You may continue to repeat the rinse cycle, for as many times as you like.)

14. When complete, slide the rear switch back to “Ice” mode.



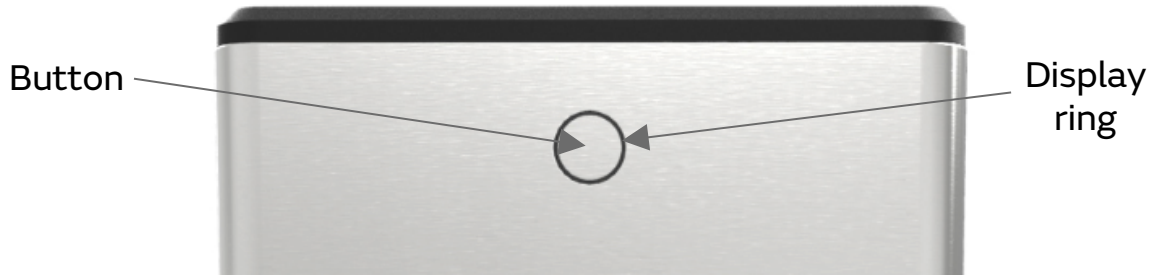
Cleaning the bin and tray:

To clean the ice bin, remove the ice bin from the ice maker and clean with a soft cloth dampened with soapy water. Rinse thoroughly. Dry with a soft cloth. **Do not use solvents or chemicals.**

The drip tray should be wiped dry. Water left in this area may leave deposits. To clean the drip tray, remove the tray from Opal and use a soft cloth dampened with mild soapy water to gently clean the surface. Dry with a soft cloth. **Do not use solvents or chemicals.**

Understanding the display

Opal uses an innovative light ring to let you know what it is doing.



Button

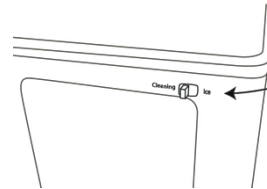
Touch once to turn Opal ON or OFF.
Touch and hold for 3 seconds to dim the interior lighting if desired.

Display ring

Displays status of the Opal ice maker. See below for details.

Mode switch (located on back)

Switch in "Ice" position places Opal in ice making mode.
Switch in "Cleaning" position places Opal in cleaning mode.



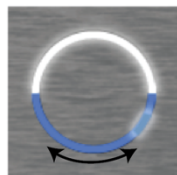
Falling white: Opal is currently making ice.



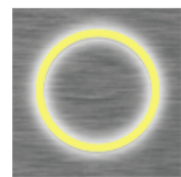
Solid white: Ice bin is full.
Opal is no longer continuing to make ice.



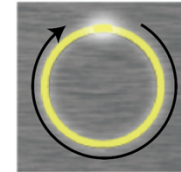
Swishing blue: Opal needs more water.



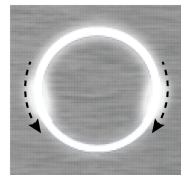
Pulsing yellow: Opal is in cleaning mode awaiting drain and refill confirmation.



Rotating yellow: Opal is rinsing (cleaning mode).



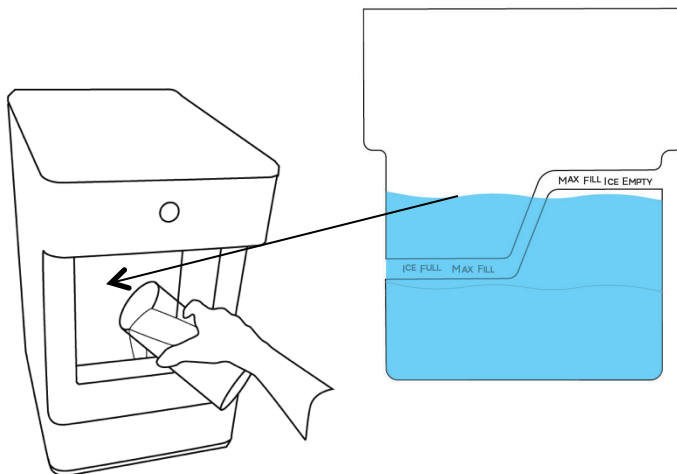
Slowly falling white: Opal is defrosting. Please don't unplug or turn off, this takes 30 minutes.



Making ice with Opal

Once Opal has been cleaned, move the ice maker to its desired location and complete the following steps:

1. Remove ice bin.
2. Fill reservoir with potable (safe to drink) water up to the “Max Fill” line. Water hardness must be less than 12 grains per gallon. **Do not fill reservoir with any liquid except water. Using any liquid except potable water is misuse and will void your warranty.**
3. Plug the ice maker into a grounded outlet.
4. Touch the display button to start the ice maker. The display will flash green to indicate the ice maker is ON, then transition to the falling white display.
5. Opal will begin to produce ice in 15-30 minutes. It will continue to make ice until the bin is full, or it runs out of water. To continue making ice, just add more water.



Draining Opal

We recommend draining your Opal when:

1. You put it away, or anytime it's being relocated.
2. You turn it off for more than a few days. (i.e. vacation)
3. You're not using much ice. Continuous recirculation of meltwater may affect taste. For best results, drain your Opal.

FirstBuild app for Opal

Use the FirstBuild app to enhance your nugget ice experience!

Installing the FirstBuild app will allow you to do the following:

- Schedule start and stop times
- See if Opal needs more water

The **FirstBuild** mobile app can be found and downloaded from the Apple App Store for your Apple device. Or, Google Play Store for your Android device.

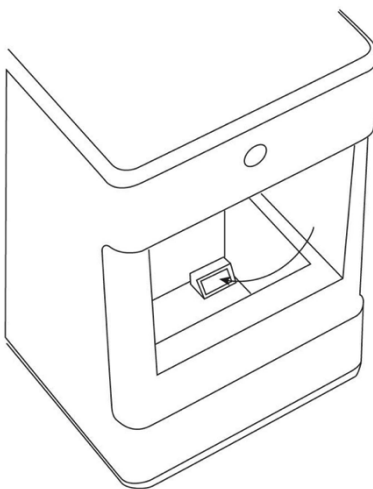
For help with the FirstBuild app, including how to pair your device, check out our support page at support.firstbuild.com

Note: Works with Android, iPhone 4s or newer, iPad 3 or newer, iPad Mini, and iPod Touch 5th generation and newer.

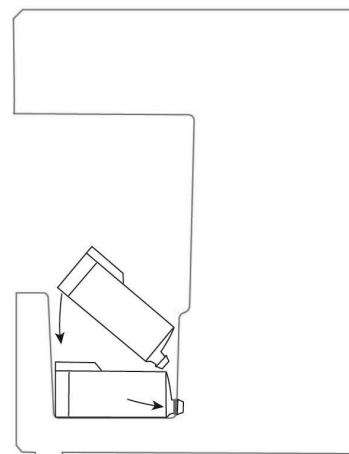
Water filter

The Opal Water Filter, available at nuggetice.com, is the only water filter compatible with Opal. Please follow the installation instructions included with your filter.

Note: Remove your water filter (if installed) and reinstall the screened intake cap prior to cleaning your Opal.



Screened intake cap



Water filter **snaps** into place.

Normal sounds

Your new ice maker may make sounds that are not familiar. Most of these sounds are normal. Hard surfaces like the floor, walls, and countertops can amplify these sounds. The following describes the sounds that may be new to you and what may be creating them.

- WHIR - When Opal is first turned on, you may notice the condenser fan spinning.
- BUZZ - When the water pump first turns on, it may be dry and slightly noisy. Once it is filled with water, the noise reduces significantly.
- RATTLE - Rattling noises may be produced from the flow of the refrigerant. These noises should reduce significantly once the refrigerant system has stabilized.
- GURGLE - When the refrigerant system shuts off, there may be a brief gurgle as the refrigerant stops flowing.
- HUM - The compressor is a motor. It produces a low toned humming sound while it is running.
- CLICK - As nugget ice is produced, it drops into the ice drawer. The first nuggets produced are the loudest, as they impact the bottom of the ice bin. As the bin fills, this noise reduces significantly.
- SQUEAK – When Opal is in need of defrosting, it may start to squeak as ice starts to build up around the mechanisms. The defrost cycle is automatic, and may take 30-45 minutes. During this time, the front button won't respond.

Radio frequency interference

This product has been tested and found to comply with the limits set forth in Title 47 CFR Part 15 - Radio Frequency Devices. Operation is subject to the following conditions: (1) This device may not cause harmful interference, and (2) this device must accept any interference received, including interference that may cause undesired operation. This product generates, uses, and can radiate radio frequency energy, and if not used in accordance with the instructions, may cause harmful interference to radio communications. If this product does cause harmful interference to radio or television reception, which can be determined by unplugging Opal, the user is encouraged to try to correct the interference by one or more of the following measures:

- Reorient or relocate the TV or radio antennas.
- Increase the distance between the product and TV or radio.
- Plug Opal into a separate outlet from a radio or TV.

The transmitter must not be co-located or operating in conjunction with other antennas or transmitters.

Product specifications

Description of product	Portable nugget ice maker
Model	OPAL01
Voltage/Frequency	120V AC / 60 Hz
Current	2.5 A
Color	Stainless/Black
Ice storage capacity	3.0 lbs
Ice making rate	24 lbs per day*
Dimensions (width x depth x height)	10.5 in x 14 in x 17 in
Installation clearance (sides and back)	3 in
Operating environment	55°F - 90°F
Weight (when empty)	44 lbs

Note: Technical data and performance information provided for reference only.

Specifications are subject to change. Check the rating label on your ice maker for the most accurate information.

*The actual quantity of ice produced will vary with environmental conditions.

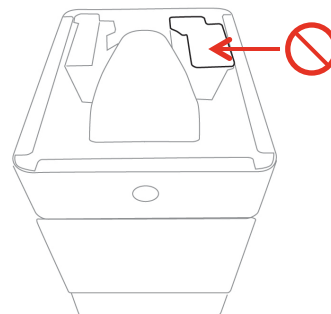
Note: Products containing refrigerants

This product contains a refrigerant, which under Federal Law must be removed prior to product disposal. If you are disposing this, or any refrigeration product, check with your local waste company for guidance.

⚠ WARNING

In order to avoid exposure to UV radiation, disconnect power to the ice maker before removing the external covers.

Do not attempt to repair or replace UV lamp



Opal nugget ice maker Limited Warranty

Limited Warranty:

One (1) year from the date of receipt of the product.

What is covered:

- Product failure during the Limited Warranty Period, due to a defect in materials or workmanship.

What is not covered:

- Product failure due to abuse, misuse, improper use, or commercial use.
- Damage to the product caused by accident, fire, floods, or acts of God.
- Incidental or consequential damages caused by possible defects with this product.*
- Software bugs that can be corrected with an update via the “FirstBuild” App.
- Labor and other charges to install and/or remove the product.

What FirstBuild will do:

If your product qualifies for this Limited Warranty, FirstBuild will either: (1) replace your product with a new or remanufactured product, or (2) refund the purchase price of the product, at FirstBuild’s sole discretion.

Limitations:

The Limited Warranty is extended to the original purchaser for products purchased for home use within the US and Canada.

** Some states do not allow the exclusion or limitation of incidental or consequential damages. This warranty gives you specific legal rights, and you may also have other rights which vary from state to state. To determine what your legal rights are, consult your local or state consumer affairs office or your state’s Attorney General.*

How to file a warranty claim

All warranty claims must be initiated through an e-mail to warranty@firstbuild.com. When initiating a claim, please provide your **First and Last name, US or Canada shipping address, phone number, and proof of purchase**. FirstBuild will respond to your inquiry and give you further instructions on how to handle your claim. No return shipments will be accepted until they are authorized by a representative of FirstBuild. All return shipments should be sent to FirstBuild c/o Warranty Claims Dept., 333 East Brandeis Avenue, Louisville, KY, 40208

EXCLUSION OF IMPLIED WARRANTIES: Your sole and exclusive remedies are product exchange or refund as provided in this Limited Warranty. Any implied warranties, including the implied warranties of merchantability or fitness for a particular purpose, are limited to six (6) months or the shortest period allowed by law.

Free Manuals Download Website

<http://myh66.com>

<http://usermanuals.us>

<http://www.somanuals.com>

<http://www.4manuals.cc>

<http://www.manual-lib.com>

<http://www.404manual.com>

<http://www.luxmanual.com>

<http://aubethermostatmanual.com>

Golf course search by state

<http://golfingnear.com>

Email search by domain

<http://emailbydomain.com>

Auto manuals search

<http://auto.somanuals.com>

TV manuals search

<http://tv.somanuals.com>