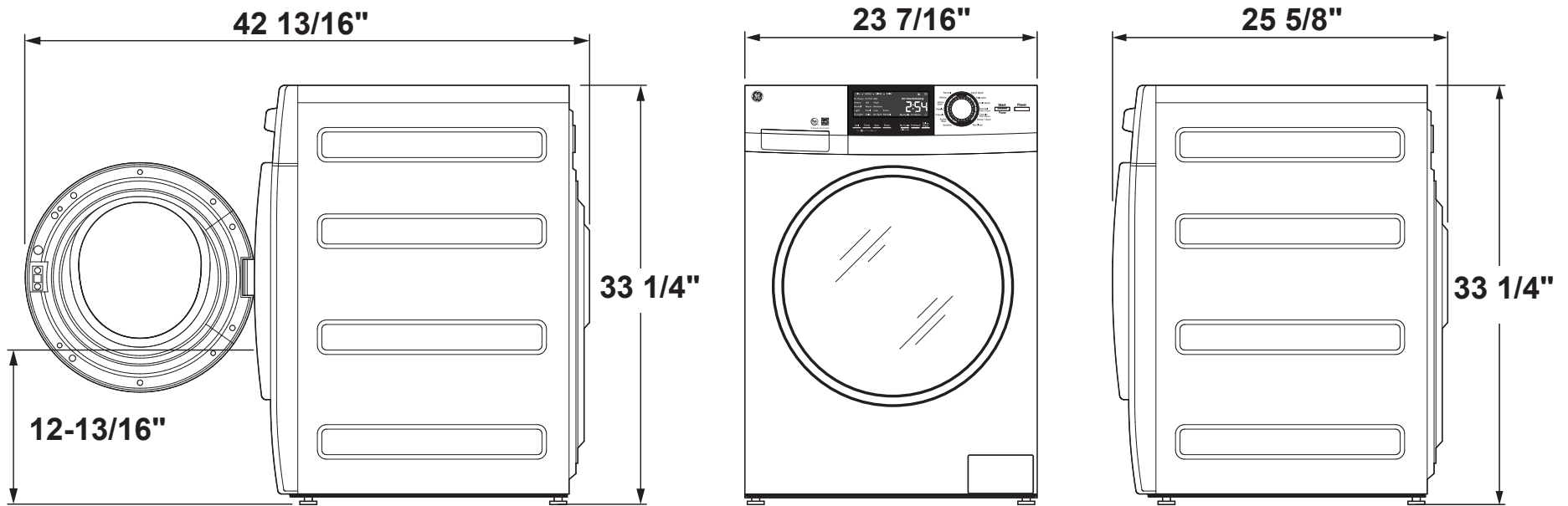


GFW148SSMWW

GE® 2.4 DOE Cu. Ft. Frontload Washer with Steam

DIMENSIONS AND INSTALLATION INFORMATION (IN INCHES)

INSTALLATION INFORMATION: For complete information, see installation instructions packed with your washer.



For answers to your Monogram, GE Café™ Series, GE Profile™ Series or GE Appliances product questions, visit our website at geappliances.com or call GE Answer Center® Service, 800.626.2000.



Specification Revised 11/18

GE® 2.4 DOE Cu. Ft. Frontload Washer with Steam

GE® 2.4 DOE Cu. Ft. Frontload Washer with Steam

STACKED INSTALLATION:

- Kit for stacking dryer over washer is not included with the washer. Order part no. GFA24KITL

ALCOVE OR CLOSET INSTALLATION:

- If your dryer is approved for installation in an alcove or closet, it will be stated on a label on the dryer back.
- The dryer MUST be exhausted to the outside with the exception of the condensing dryer.
- Minimum clearances between dryer cabinet and adjacent walls or other surfaces are: 1" left and right sides, 1" top, 3" front and rear.
- Minimum clearances between washer cabinet and adjacent walls or other surfaces are: 1" left and right sides, 1" top, 1" front and rear.
- Closet doors must be louvered or otherwise ventilated and must contain a minimum of 60 sq. in. of open area equally distributed. If this closet contains both a washer and a dryer, doors must contain a minimum of 120 sq. in. of open area equally distributed.
- No other fuel-burning appliance shall be installed in the same closet with a gas dryer.

BATHROOM OR BEDROOM INSTALLATION:

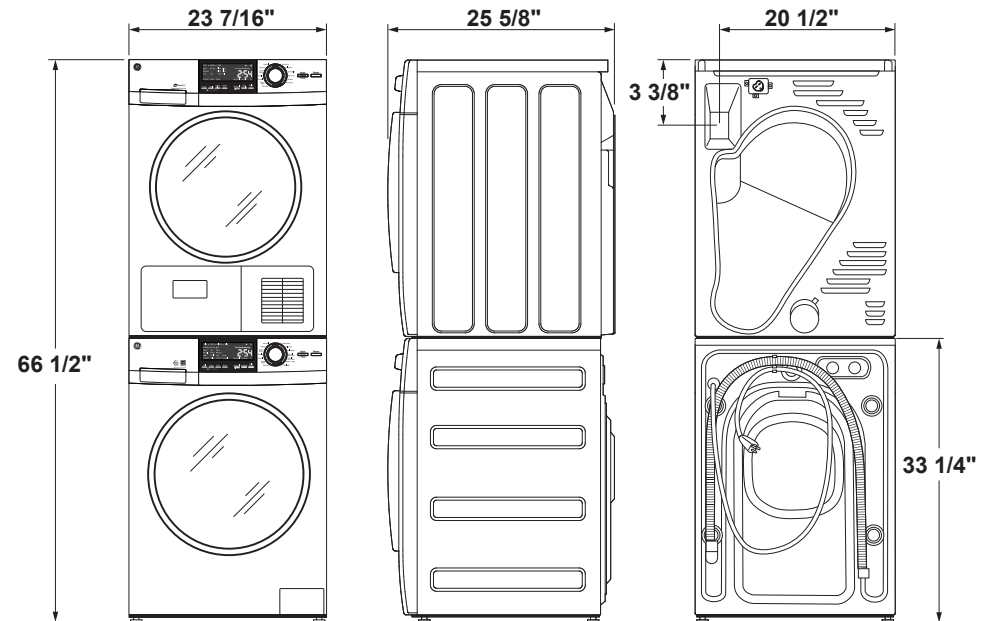
- The dryer MUST be exhausted to the outdoors with the exception of the condensing dryer.
- The installation must conform with the local codes, or in the absence of local codes, with the National Electric Code and National Fuel Gas Code, ANSI Z223 for gas dryers.

MINIMUM CLEARANCE OTHER THAN ALCOVE OR CLOSET INSTALLATIONS:

- Minimum clearances to combustible surfaces 0" both sides, 3" rear.

FOR MORE INFORMATION ON VENTING KITS AND ACCESSORIES, PLEASE CALL 1-800-GE-CARES.

STACKED DIMENSIONS (IN INCHES)



For answers to your Monogram, GE Café™ Series, GE Profile™ Series or GE Appliances product questions, visit our website at geappliances.com or call GE Answer Center® Service, 800.626.2000.



Specification Revised 11/18

GE® 2.4 DOE Cu. Ft. Frontload Washer with Steam

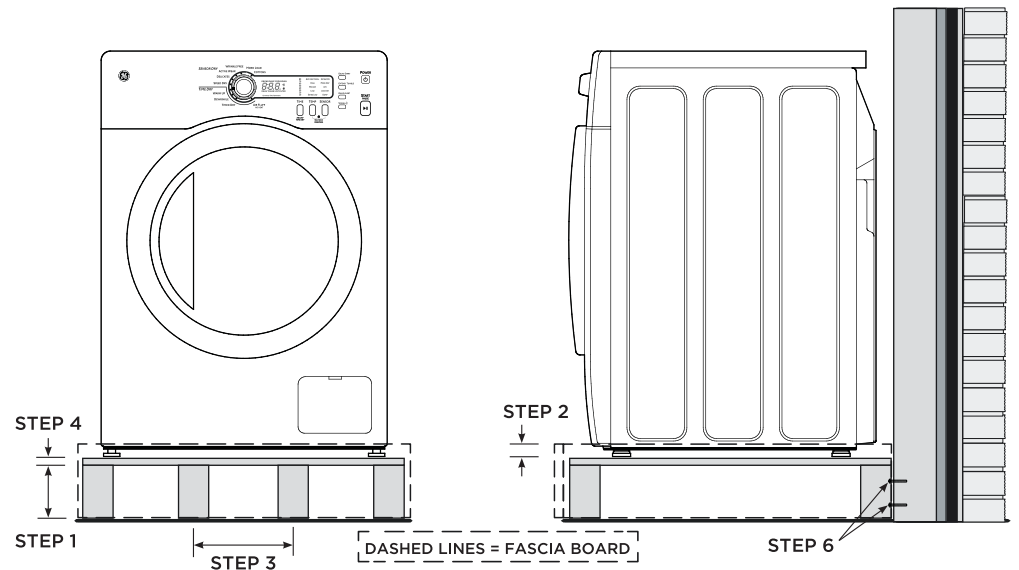
GE® 2.4 DOE Cu. Ft. Frontload Washer with Steam

INSTALLATION INFORMATION

PLATFORM REQUIREMENTS TO MEET THE GUIDELINES FOR THE AMERICANS WITH DISABILITIES ACT (ADA)

FABRICATE A WOODEN PLATFORM FOLLOWING THESE REQUIRED INSTRUCTIONS FOR ADA COMPLIANCE:

1. The platform must raise the appliance at least 3", but not more than 7".
2. A hardwood fascia board that is 1" thick is required on any open side of the platform. The fascia board must have a lip height of 1" above the top to allow the consumer to open the front clean-out panel. Each fascia board must be attached with minimum of six 1/4" - 20 x 4" bolts with fender washers and locknuts on the backside.
3. The suggested maximum distance between lateral supports is 10".
4. Plywood top must be 3/4" thick.
5. The platform length can be dimensioned to fit one or multiple front loading compact laundry units.
6. The platform must be firmly secured, at least at two points, to an adjacent wall.
7. Place the front loading compact laundry unit(s) on the completed platform.
8. The front of any front loading compact laundry unit must be less than 10" from the front of the platform including the fascia board.
9. Follow the Installation Instructions shipped with your washer and/or dryer to complete the installation.



Front loading compact washer shown mounted on the wooden platform which is secured to adjacent wall

**QUESTIONS? CALL 800.GE.CARES (800.432.2737)
OR VISIT OUR WEB SITE AT: GEAPPLIANCES.COM**



For answers to your Monogram, GE Café™ Series, GE Profile™ Series or GE Appliances product questions, visit our website at geappliances.com or call GE Answer Center® Service, 800.626.2000.

GE® 2.4 DOE Cu. Ft. Frontload Washer with Steam

GE® 2.4 DOE Cu. Ft. Frontload Washer with Steam

FEATURES AND BENEFITS

Plugs into Dryer or Wall – Washer plugs into GE Condenser dryer or properly installed 120-Volt wall receptacle for easy installation

Stainless steel basket – Long-lasting stainless steel finish resists rust and won't chip, peel or snag clothes

Steam – Penetrates deep into fabric fibers, loosening stains like tomato and grass, yet protects your fabrics

ENERGY STAR® qualified – Meets or exceeds federal guidelines for energy efficiency for year-round energy and money savings

Electronic touch controls – Enjoy easy operation and cleanability with streamlined controls

14 wash cycles – Multiple cycles are designed to specifically handle various fabrics and soils

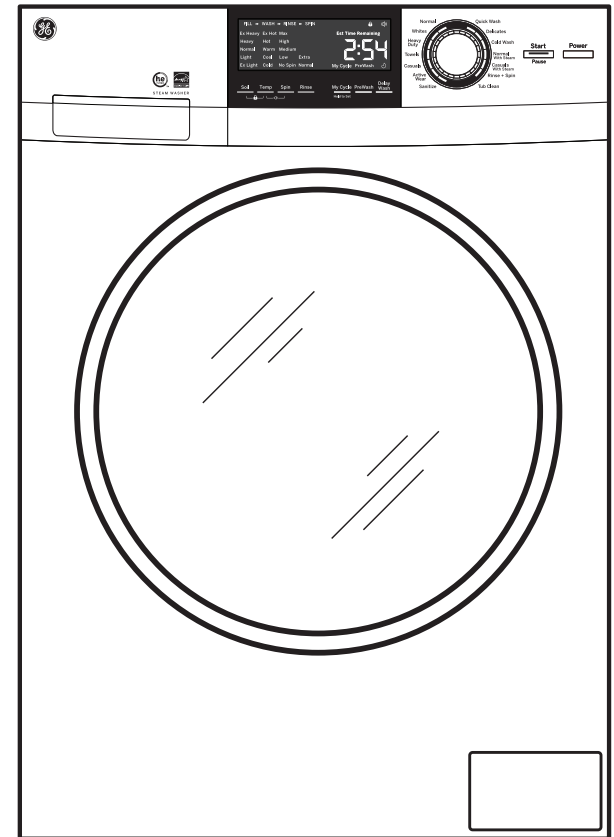
1400 RPM spin speed – Fast spin speeds remove water efficiently and minimize dry time

Inlet fill hoses included

Quick Wash – Provides a quick wash for lightly soiled items that are needed in a hurry

Internal water heater – Increases wash temperature to reduce bacteria and provide better cleaning for the really tough stains

Model GFW148SSMWW – White on white



Free Manuals Download Website

<http://myh66.com>

<http://usermanuals.us>

<http://www.somanuals.com>

<http://www.4manuals.cc>

<http://www.manual-lib.com>

<http://www.404manual.com>

<http://www.luxmanual.com>

<http://aubethermostatmanual.com>

Golf course search by state

<http://golfingnear.com>

Email search by domain

<http://emailbydomain.com>

Auto manuals search

<http://auto.somanuals.com>

TV manuals search

<http://tv.somanuals.com>