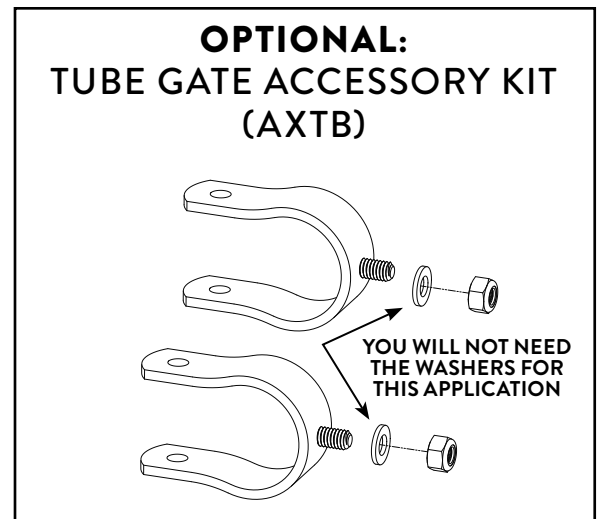
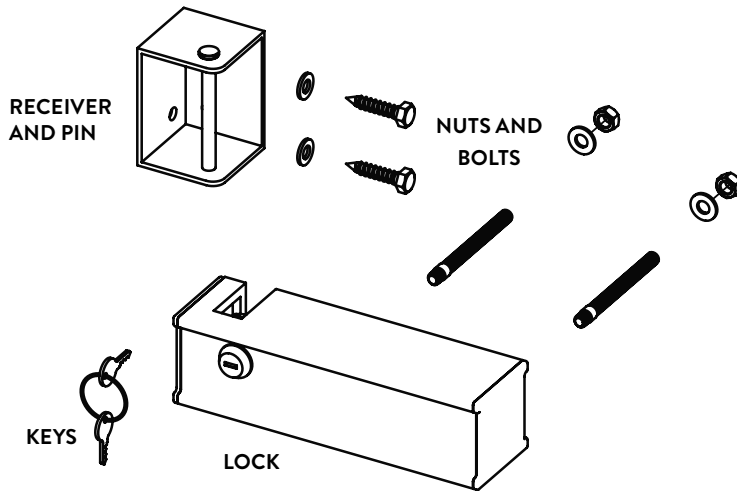


AXZL ZOMBIELOCK® AUTOMATIC GATE LOCK

INSTRUCTIONS

WHAT IS INCLUDED IN AXZL KIT:



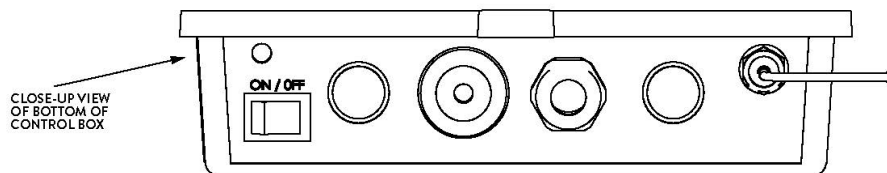
MOUNTING THE LOCK AND RECEIVER:

NOTE: If your gate is set up in the push-to-open mode, the lock will need to be installed on the outside of the gate.

STEP 1: MAKE SURE THE OPERATOR CONTROL BOX POWER SWITCH IS IN THE OFF POSITION

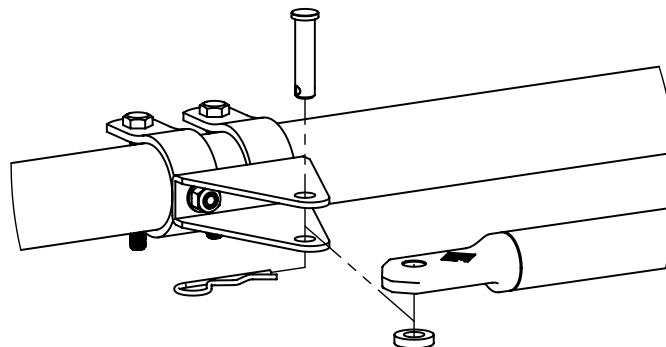
You must disconnect the operator only after the operator power switch is OFF and the gate is NOT moving.

NOTE: The gate operator is battery powered and unplugging the AC transformer does not turn the power to the operator off.



STEP 2: DISCONNECT FRONT END OF THE GATE OPERATOR ARM FROM GATE BRACKET

A. Remove the hairpin clip and clevis pin from the FRONT mount of the gate operator.



B. Swing the operator arm out of the way of the gate.

STEP 3: MAKE SURE GATE IS IN THE CLOSED POSITION

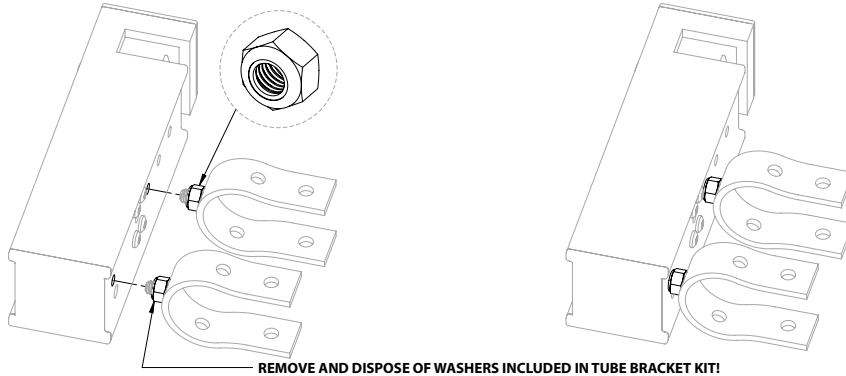
To ensure the gate remains in the closed position, you should wire tie or clamp the gate to the post for a single gate and for a dual gate secure the second gate.

Lock should be mounted on the gate cross member or other solid part of the gate surface and the receiver should be mounted on the adjacent post perfectly level with the lock. **See illustrations next page.**

NOTE FOR TUBE GATES

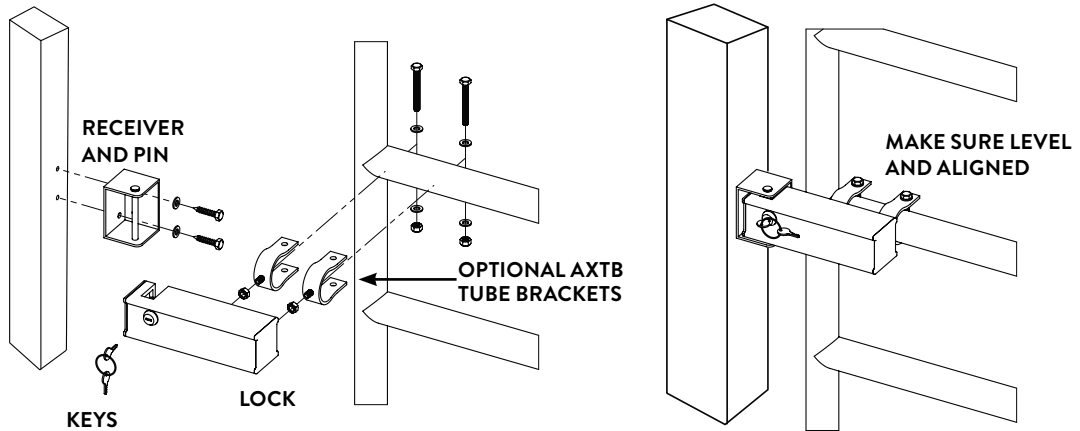
USING TUBE GATE BRACKET KIT: USE THE SUPPLIED LOCKNUTS AND **DISCARD THE WASHERS!** THE LOCKNUTS MUST BE SCREWED DOWN ON TUBE BRACKET AND THEN SCREWED ONTO THE ZOMBILOCK, AS SHOWN BELOW.

Thread locknuts completely onto Tube Gate Bracket studs. Now thread studs into the Zombielock. Assemble onto gate.



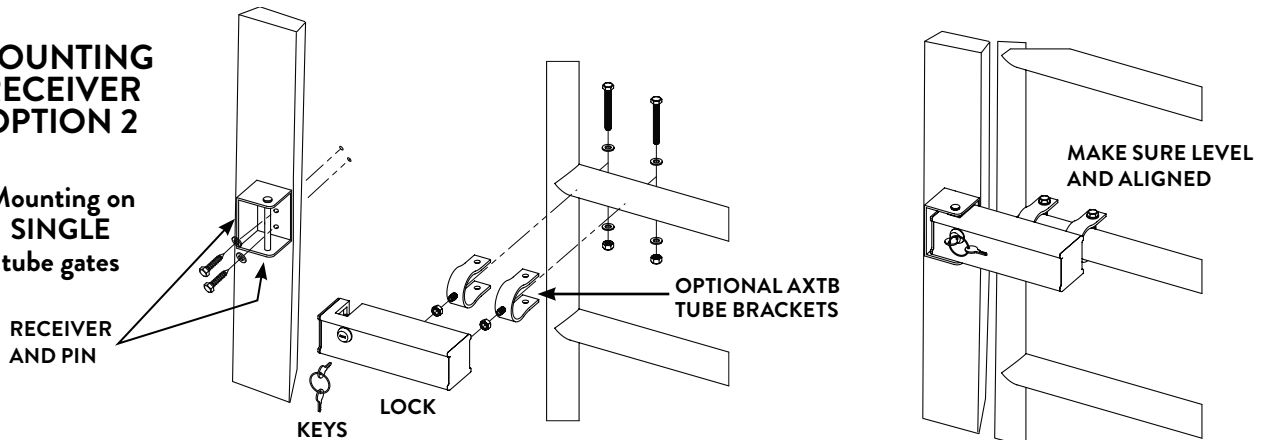
MOUNTING RECEIVER OPTION 1

Mounting on SINGLE tube gates

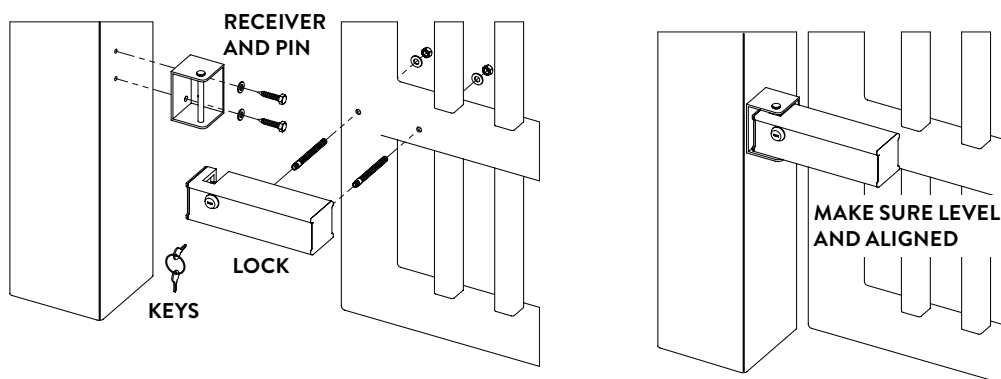


MOUNTING RECEIVER OPTION 2

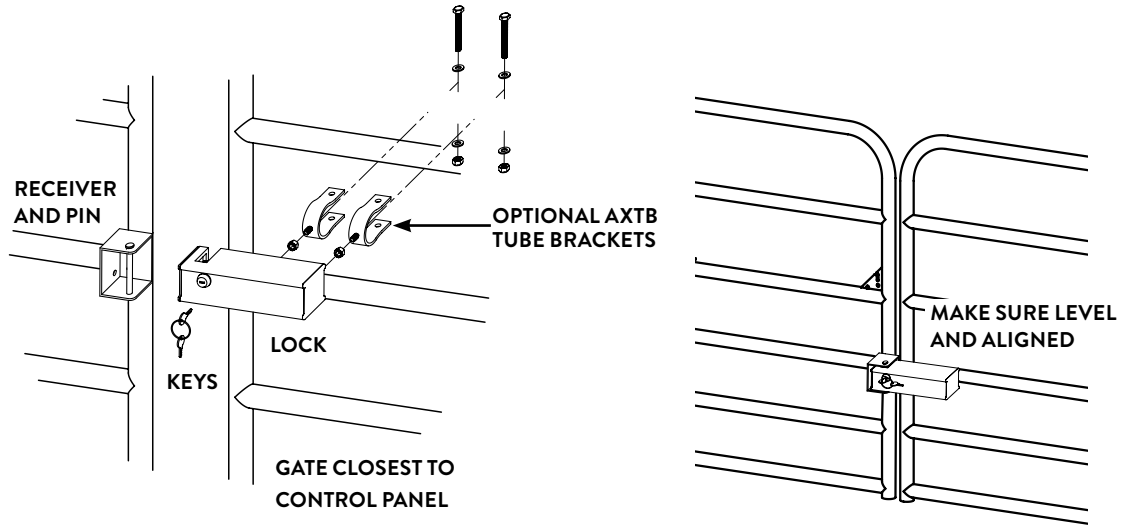
Mounting on SINGLE tube gates



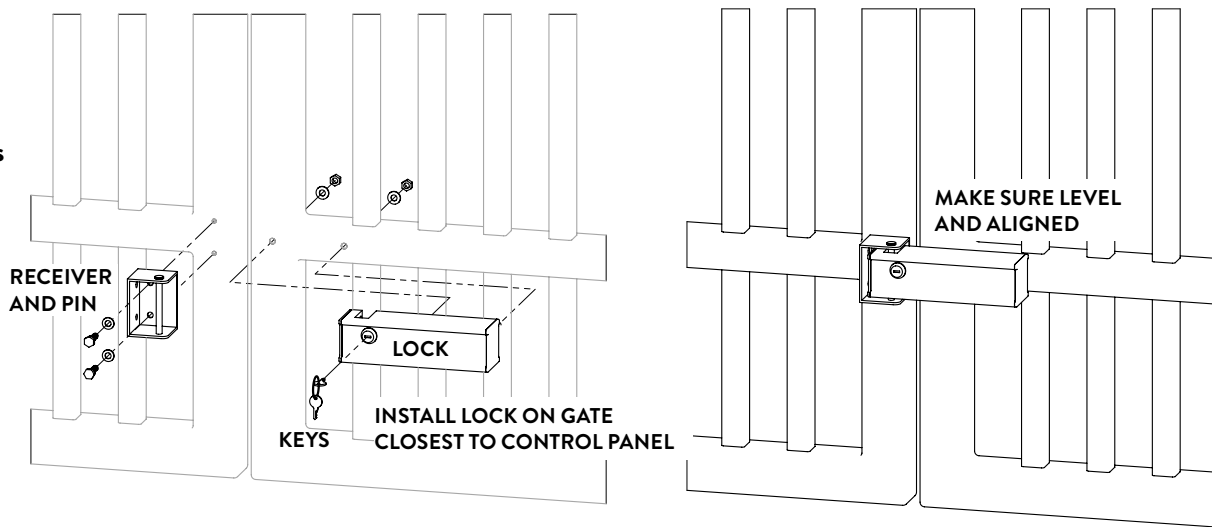
Mounting on SINGLE decorative gates



**Mounting on
DUAL
tube gates**

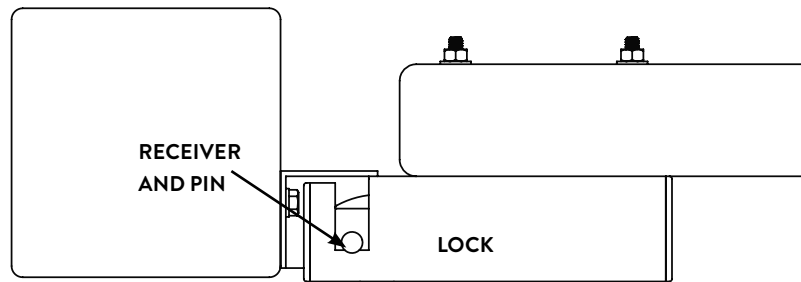


**Mounting on
DUAL
decorative gates**



STEP 4: VERIFY THE RECEIVER PIN LINES UP WITH SLOT IN THE LOCK

The gate lock needs to be level with the receiver.



View looking down showing receiver pin lines up with gate lock

STEP 5: DRILL HOLES ON THE POST AND ATTACH RECEIVER WITH INCLUDED NUTS AND BOLTS

See illustrations in STEP 3.

STEP 6: GATE LOCK CAN NOW BE PERMANENTLY MOUNTED WITH THE INCLUDED NUTS AND BOLTS TO THE GATE CROSS-MEMBER OR GATE SURFACE.

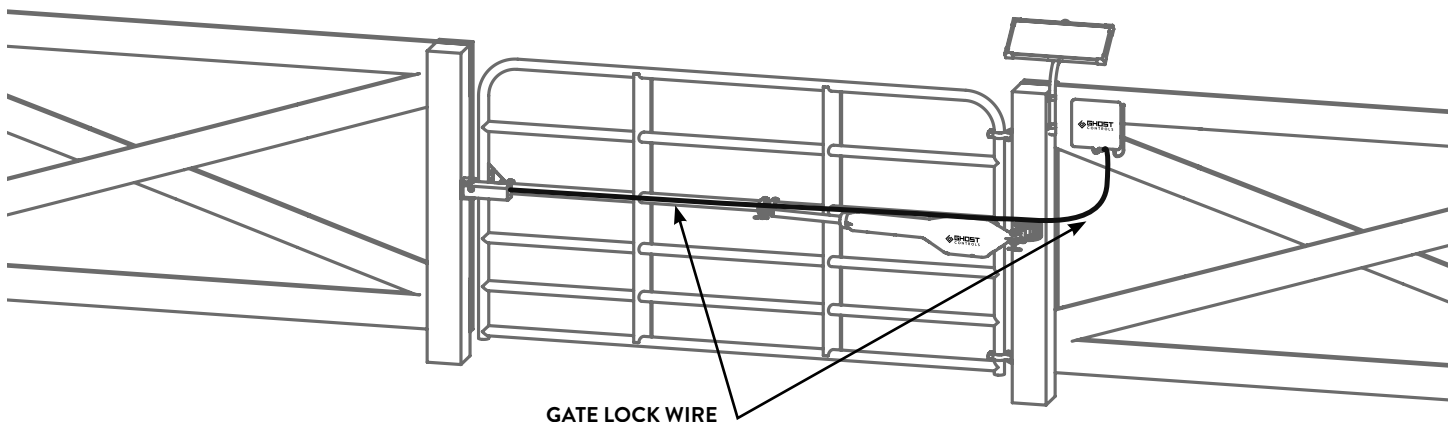
Drill the holes through the gate to attach bolts, nuts, and washers. Tighten lock securely.

CONNECTING LOCK TO THE CONTROL BOX

STEP 1: VERIFY SWITCH AT CONTROL BOX IS OFF

STEP 2: RUN THE ZOMBIELOCK WIRES FROM GATE LOCK TO THE CONTROL BOX

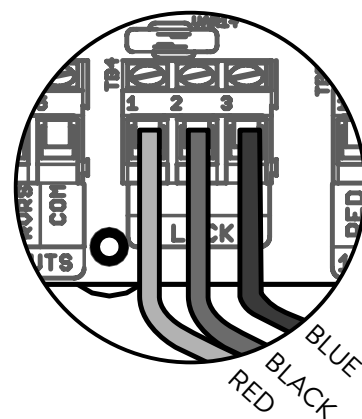
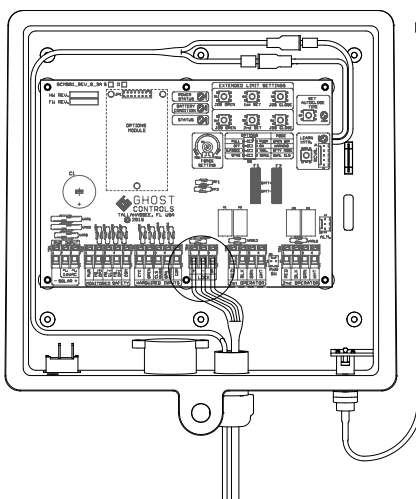
Run the wire across the cross section of the bar into the control box.



STEP 3: CONNECT THE WIRES FROM GATE LOCK TO CONTROL BOX

Connect the gate lock wires to the LOCK terminals on the control board. Once the red, black, and blue wires are connected to the terminals, tighten each of the screws so that the wires do not come loose.

- Red wire connects to positive (+)
- Black wire connects to negative (-)
- Blue wire connects to S (S)



STEP 4: CONTROLLER WILL AUTOMATICALLY DETECT THE LOCK WHEN SWITCH IS TURNED ON

- Lock (if present) will be pulled (unlocked) for a few seconds at the closed position before opening. If lock is not completely pulled the gate will not open to prevent damage to the gate and lock.
- Lock will also be pulled (unlocked) near the closed limit position when it is closing to ensure a smooth and "soft" closing operation.

STEP 5: RECONNECT OPERATOR ARM TO FRONT GATE BRACKET WITH CLEVIS PIN AND CLEVIS HAIRPIN

NOTE

MAKE SURE THE GATE LOCK CLOSSES FIRMLY IN THE RECEIVER, SOME ADJUSTMENTS OF GATE CLOSURE MAY BE NECESSARY. REFER TO YOUR GATE OPENER MANUAL FOR THE CLOSED POSITION ADJUSTMENT.



WARNING: This product can expose you to chemicals including lead, which is known to the State of California to cause cancer. For more information, go to www.P65Warnings.ca.gov.



Free Manuals Download Website

<http://myh66.com>

<http://usermanuals.us>

<http://www.somanuals.com>

<http://www.4manuals.cc>

<http://www.manual-lib.com>

<http://www.404manual.com>

<http://www.luxmanual.com>

<http://aubethermostatmanual.com>

Golf course search by state

<http://golfingnear.com>

Email search by domain

<http://emailbydomain.com>

Auto manuals search

<http://auto.somanuals.com>

TV manuals search

<http://tv.somanuals.com>