



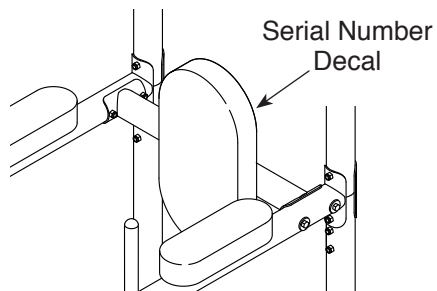
XR 10.9

getgoldsgym.com

Model No. GGBE0969.4

Serial No. _____

Write the serial number in the space above for reference.



ACTIVATE YOUR WARRANTY

To register your product and activate your warranty today, go to my.getgoldsgym.com.

CUSTOMER CARE

For service at any time, go to getgoldsgym.com/service.

Or call 1-877-776-4777
Mon.–Fri. 6 a.m.–6 p.m. MT
Sat. 8 a.m.–12 p.m. MT

Please do not contact the store.

⚠ CAUTION

Read all precautions and instructions in this manual before using this equipment. Keep this manual for future reference.

USER'S MANUAL

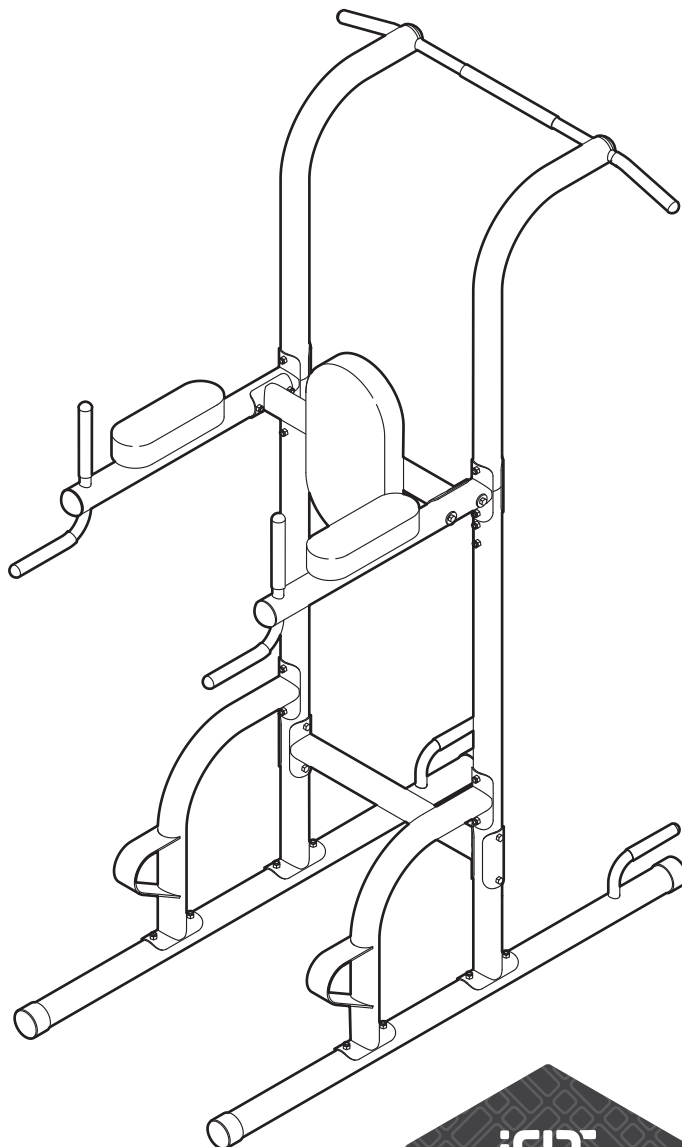


TABLE OF CONTENTS

WARNING DECAL PLACEMENT2

IMPORTANT PRECAUTIONS.....3

BEFORE YOU BEGIN.....5

PART IDENTIFICATION CHART.....6

ASSEMBLY.....7

EXERCISE GUIDELINES.....12

PART LIST.....14

EXPLODED DRAWING.....15

ORDERING REPLACEMENT PARTS..... Back Cover

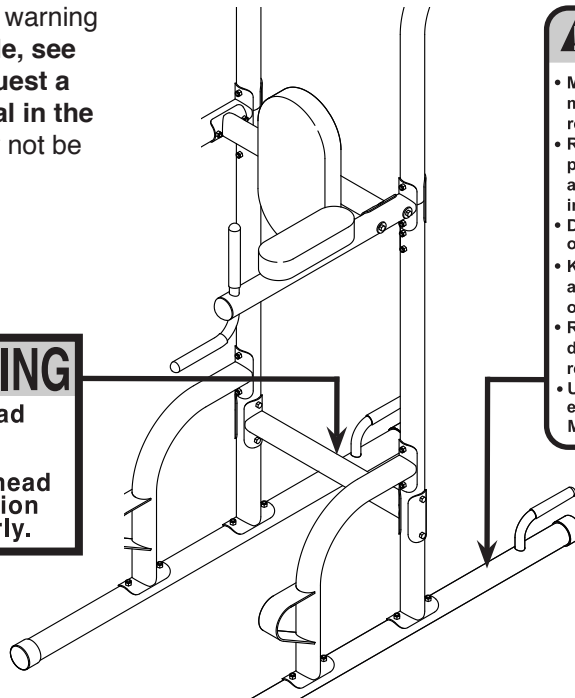
LIMITED WARRANTY..... Back Cover

WARNING DECAL PLACEMENT


This drawing shows the location(s) of the warning decal(s). **If a decal is missing or illegible, see the front cover of this manual and request a free replacement decal. Apply the decal in the location shown.** Note: The decal(s) may not be shown at actual size.

⚠ WARNING

- Low overhead clearance.
- To prevent head injury, position body properly.



⚠ WARNING

- Misuse of this machine may result in serious injury. 
- Read user's manual prior to use and follow all warnings and instructions.
- Do not allow children on or around machine.
- Keep body, clothing, and hair free and clear of all moving parts.
- Replace label if damaged, illegible, or removed.
- User Weight with external equipment: Max 300 lbs.

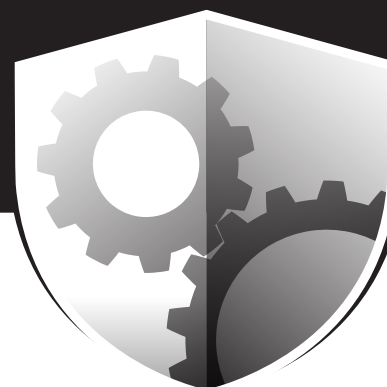
IMPORTANT PRECAUTIONS

⚠️ WARNING: To reduce the risk of serious injury, read all important precautions and instructions in this manual and all warnings on your exercise rack before using your exercise rack. ICON assumes no responsibility for personal injury or property damage sustained by or through the use of this product.

1. It is the responsibility of the owner to ensure that all users of the exercise rack are adequately informed of all precautions.
2. Before beginning any exercise program, consult your physician. This is especially important for persons over age 35 or persons with pre-existing health problems.
3. The exercise rack is not intended for use by persons with reduced physical, sensory, or mental capabilities or lack of experience and knowledge, unless they are given supervision or instruction about use of the exercise rack by someone responsible for their safety.
4. Use the exercise rack only as described in this manual.
5. The exercise rack is intended for home use only. Do not use the exercise rack in a commercial, rental, or institutional setting.
6. Keep the exercise rack indoors, away from moisture and dust. Do not put the exercise rack in a garage or covered patio, or near water.
7. Use the exercise rack only on a level surface. Cover the floor beneath the exercise rack to protect the floor.
8. Make sure that all parts are properly tightened each time the exercise rack is used. Replace any worn parts immediately.
9. Keep children under age 13 and pets away from the exercise rack at all times.
10. The exercise rack is designed to support a maximum user weight of 300 lbs. (136 kg).
11. Always wear athletic shoes for foot protection while using the exercise rack.
12. Over exercising may result in serious injury or death. If you feel faint, if you become short of breath, or if you experience pain while exercising, stop immediately and cool down.

PROTECT

YOUR FITNESS EQUIPMENT
WITH AN EXTENDED SERVICE PLAN



Your new fitness equipment is not an ordinary purchase; it is an investment in your health and well being for years to come.

As the leading provider of manufacturer's extended service plans, ICON strives to protect your equipment and your future.

Please review the following service plans and find one that best fits your needs.

PREVENTIVE MAINTENANCE SERVICE PLANS

Equipment Price	3-Year Plan	5-Year Plan
\$0.00 to \$1000.00	\$199.99	\$289.99
\$1001.00 to \$1500.00	\$259.99	\$379.99
\$1501.00 to \$2500.00	\$339.99	\$489.99
(Bikes/Systems Only) \$0.00 to \$2500.00	\$139.99	NA

Features:

- Includes an annual preventive maintenance and performance check at your convenience
- Unlimited in-home repairs; no shipping required
- Covers parts and labor on all manufacturer's defects, as well as wear and tear on parts
- Up to 5 years of coverage available

STANDARD SERVICE PLANS

Equipment Price	1-Year Plan	2-Year Plan	3-Year Plan
\$0.00 to \$300.00	\$29.99	\$39.99	\$59.99
\$301.00 to \$1000.00	\$89.99	\$119.99	\$149.99
\$1001.00 to \$2000.00	\$109.99	\$139.99	\$179.99
\$2001.00 to \$3000.00	\$179.99	\$209.99	\$239.99

Features:

- Unlimited in-home repairs; no shipping required
- Covers parts and labor on all manufacturer's defects, as well as wear and tear on parts
- Up to 3 years of coverage available

To protect your fitness equipment today, please
call Customer Care at **1-800-677-3838.**
Or, visit us online at **www.utserv.com.**



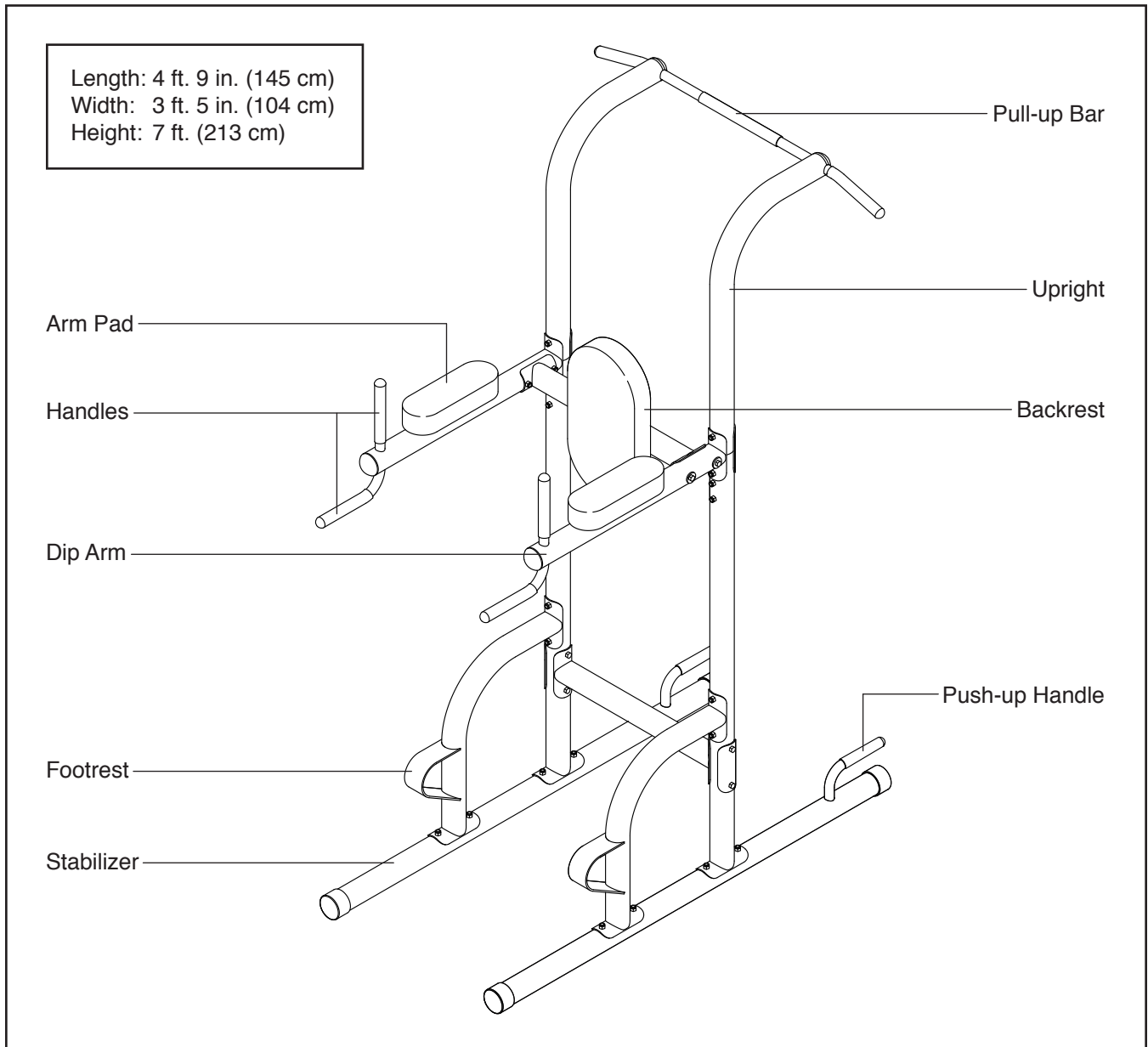
BEFORE YOU BEGIN

Thank you for selecting the versatile GOLD'S GYM® XR 10.9 exercise rack. The XR 10.9 exercise rack is designed to help you develop the major muscle groups of the upper body. Whether your goal is a shapely figure, a dramatic increase in muscle size and strength, or a healthier cardiovascular system, the exercise rack will help you achieve the specific results you want.

For your benefit, read this manual carefully before using the exercise rack. If you have questions after

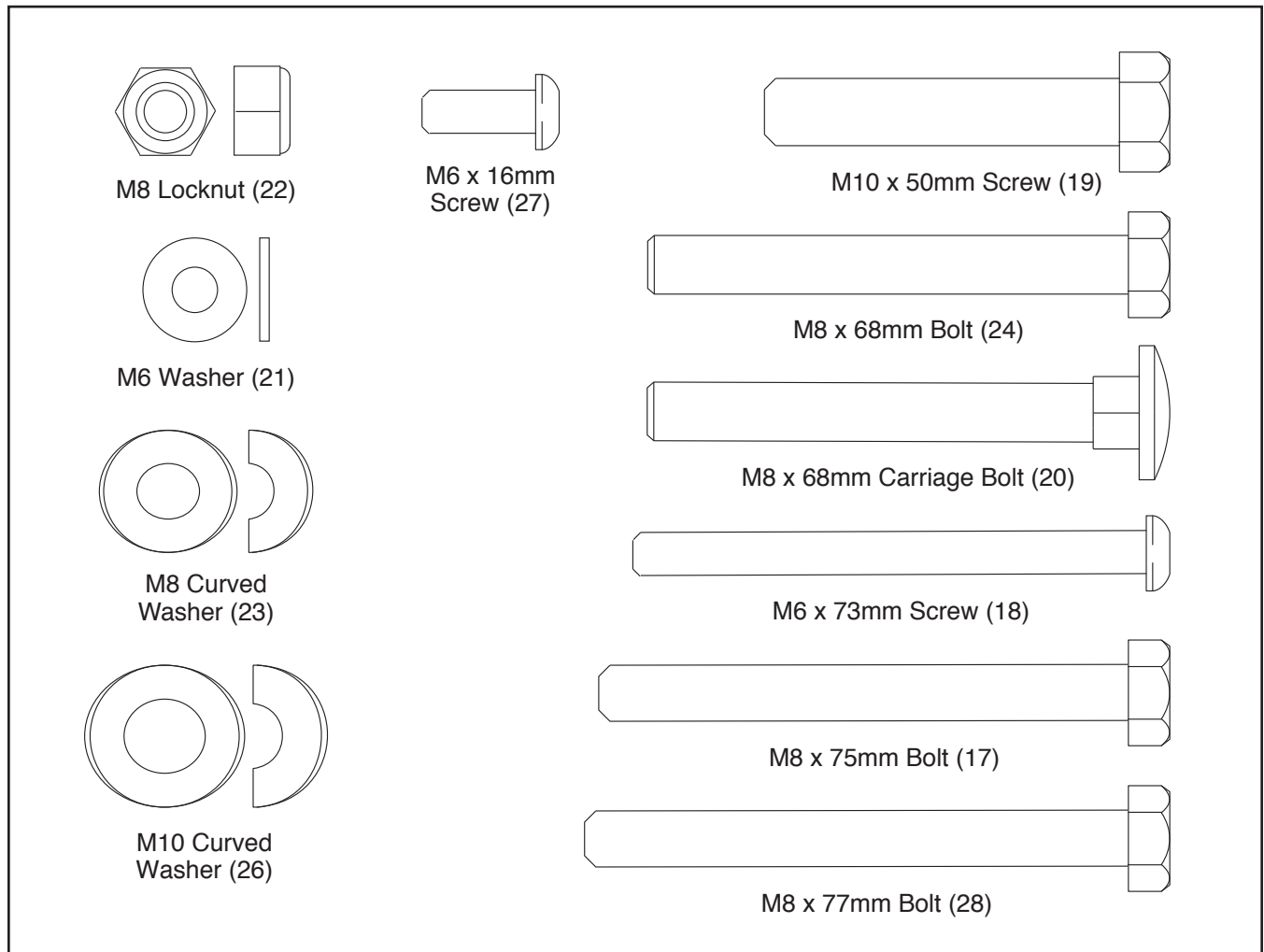
reading this manual, please see the front cover of this manual. To help us assist you, note the product model number and serial number before contacting us. The model number and the location of the serial number decal are shown on the front cover of this manual.

Before reading further, please review the drawing below and familiarize yourself with the parts that are labeled.



PART IDENTIFICATION CHART



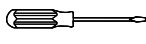
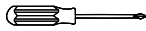
Use the drawings below to identify the small parts needed for assembly. The number in parentheses below each drawing is the key number of the part, from the PART LIST near the end of this manual. **Note: If a part is not in the hardware kit, check to see if it has been preassembled. Extra parts may be included.**



ASSEMBLY

- To hire an authorized service technician to assemble this product, call 1-800-445-2480.
- Assembly requires two persons.
- Because of its weight and size, the exercise rack should be assembled in the location where it will be used. Make sure that there is enough clearance to walk around the exercise rack as you assemble it.
- Place all parts in a cleared area and remove the packing materials. Do not dispose of the packing materials until assembly is completed.
- To identify small parts, see page 6.

- The included grease and the following tools (not included) may be required for assembly:

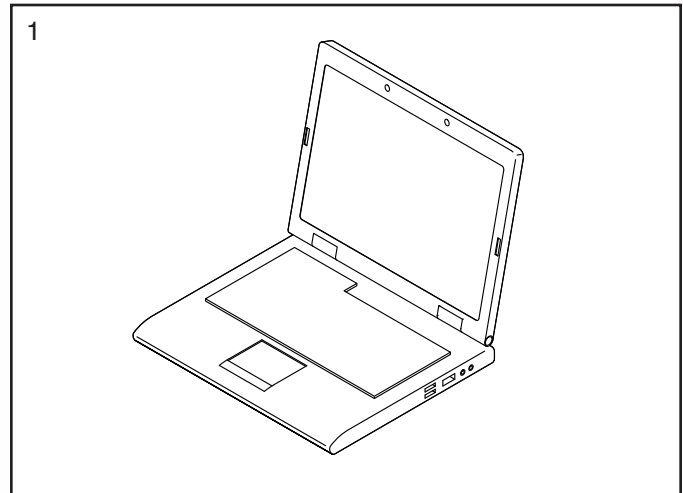
- two adjustable wrenches 
- one rubber mallet 
- one standard screwdriver 
- one Phillips screwdriver 

Assembly may be easier if you have a set of wrenches. To avoid damaging parts, do not use power tools.

1. Go to my.getgoldsgym.com on your computer and register your product.

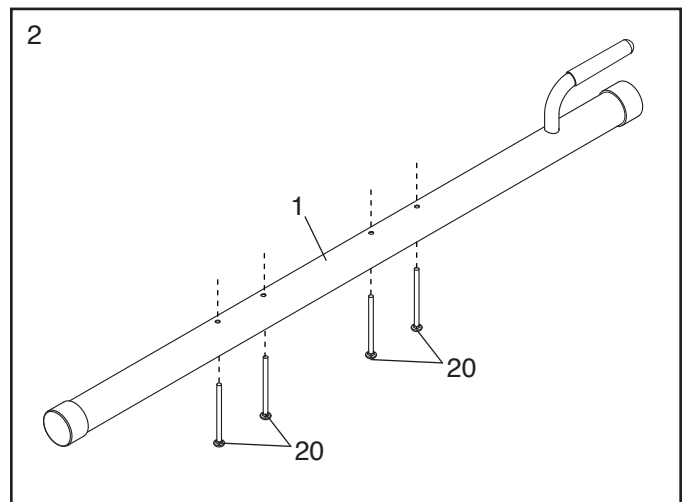
- documents your ownership
- activates your warranty
- ensures priority customer support if assistance is ever needed

Note: If you do not have internet access, call Customer Care (see the front cover of this manual) and register your product.



- ## 2. Insert four M8 x 68mm Carriage Bolts (20) up through a Stabilizer (1) as shown. **Tip: It may be helpful to place tape on the heads of the Carriage Bolts to hold them in place until later steps.**

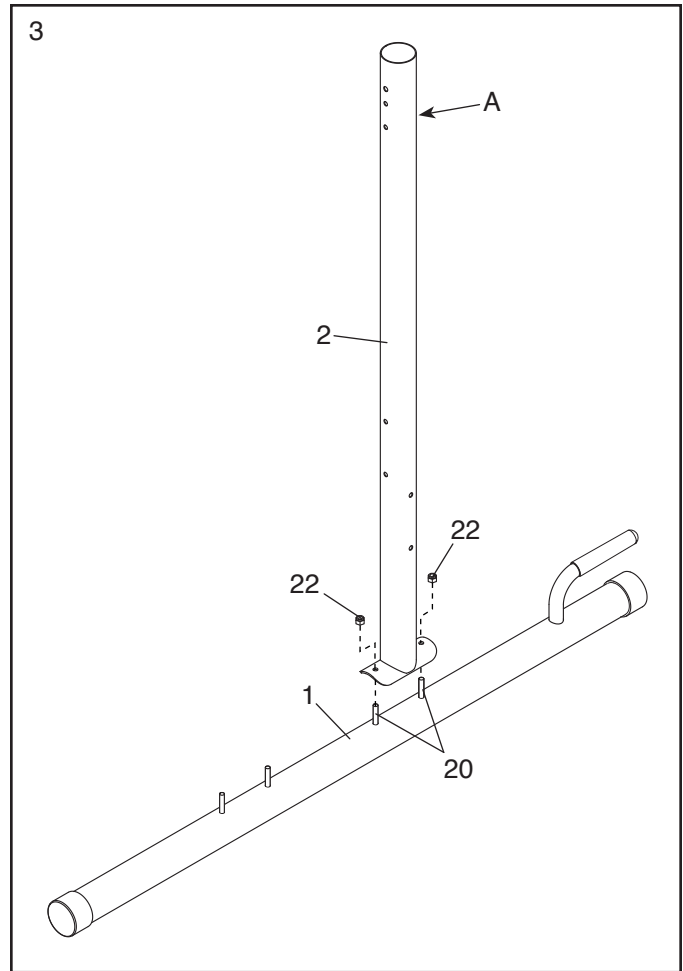
Repeat this step with the other Stabilizer (not shown).



3. Orient one of the Upright Bases (2) so that the hexagonal holes (A) are on the side shown.

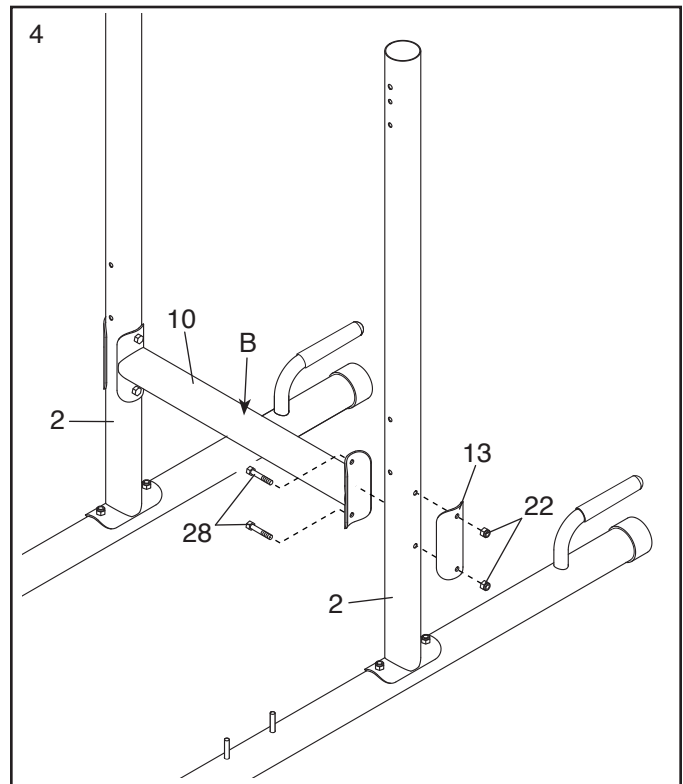
Attach the Upright Base (2) to one of the Stabilizers (1) with the indicated two M8 x 68mm Carriage Bolts (20) and two M8 Locknuts (22); **do not tighten the Locknuts yet.**

Attach the other Upright Base (not shown) to the other Stabilizer (not shown) in the same way.



4. Orient the Bottom Crossbar (10) so that the warning decal (B) is on top. Attach the Bottom Crossbar to one of the Upright Bases (2) with two M8 x 77mm Bolts (28), a Support Plate (13), and two M8 Locknuts (22); **do not tighten the Locknuts yet.**

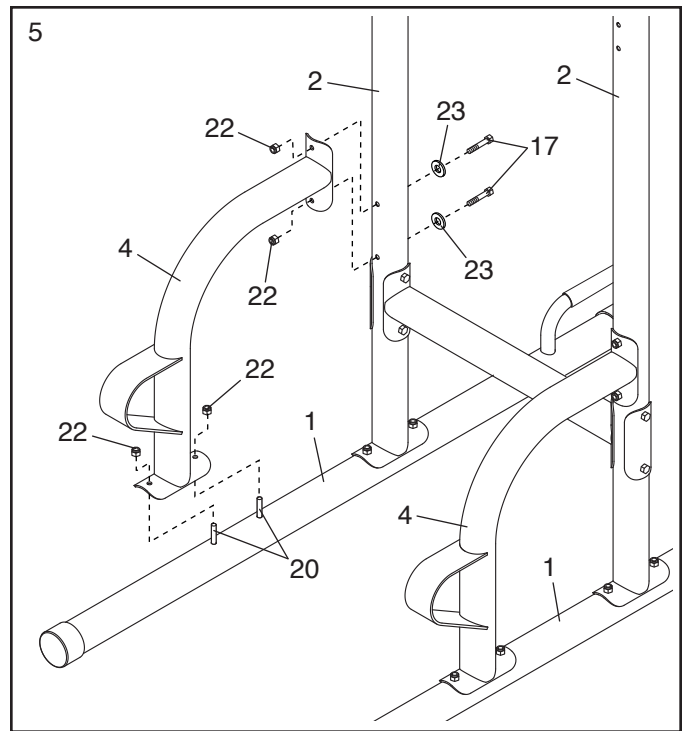
Attach the Bottom Crossbar (10) to the other Upright Base (2) in the same way.



5. Attach a Support (4) to one of the Stabilizers (1) with the two indicated M8 x 68mm Carriage Bolts (20) and two M8 Locknuts (22); **do not tighten the Locknuts yet.**

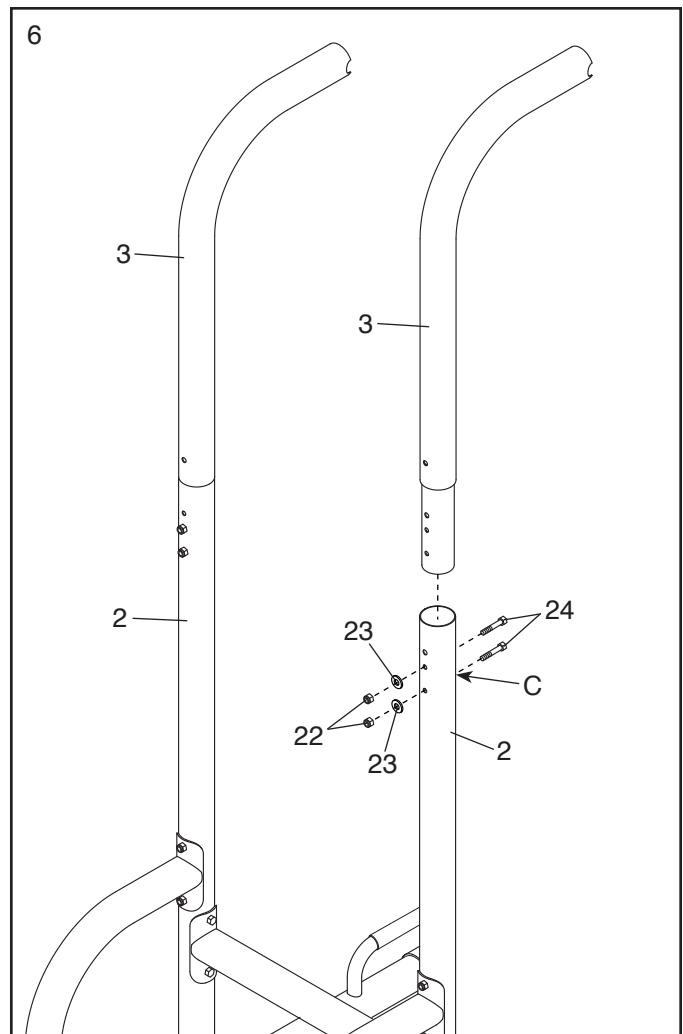
Next, attach the Support (4) to the Upright Base (2) with two M8 x 75mm Bolts (17), two M8 Curved Washers (23), and two M8 Locknuts (22); **do not tighten the Locknuts yet.**

Attach the other Support (4) to the other Stabilizer (1) and the other Upright Base (2) in the same way.



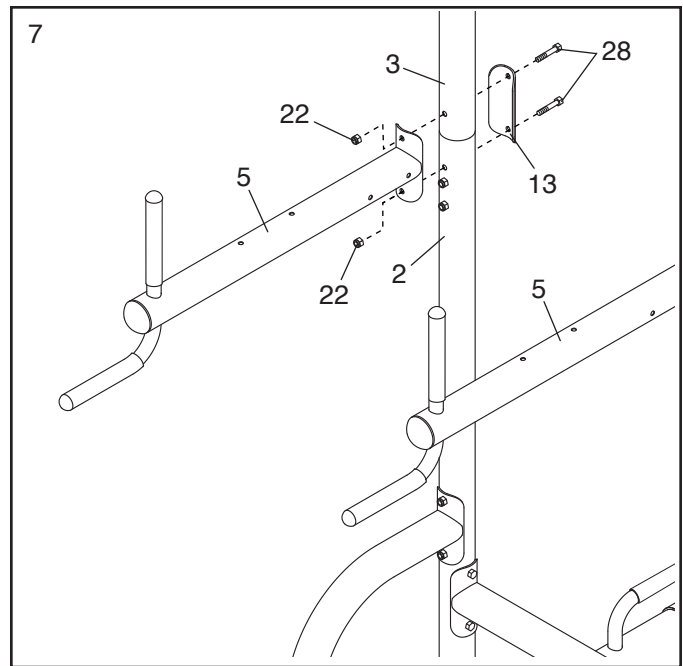
6. Orient one of the Uprights (3) as shown, and attach it to one of the Upright Bases (2) with two M8 x 68mm Bolts (24), two M8 Curved Washers (23), and two M8 Locknuts (22). **Note: The Bolts must be attached in the lowest set of holes in the Upright and the Upright Base. Make sure that the bolt heads are in the hexagonal holes (C) in the Upright Base. Do not tighten the Locknuts yet.**

Attach the other Upright (3) to the other Upright Base (2) in the same way.



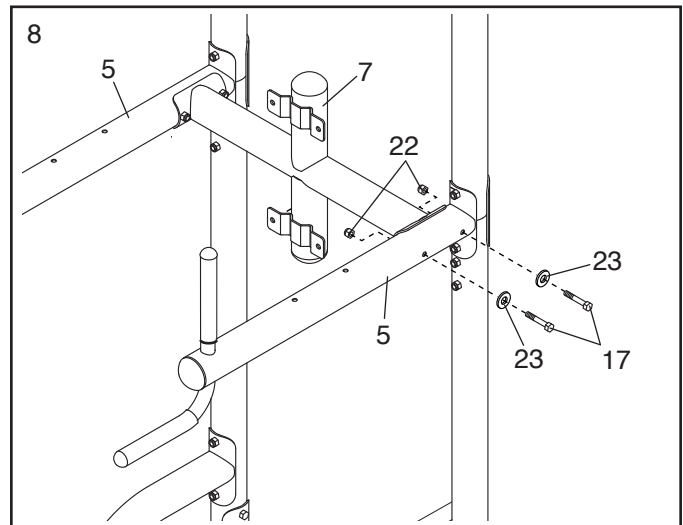
- Attach a Dip Arm (5) to the right Upright (3) and the Upright Base (2) with two M8 x 77mm Bolts (28), a Support Plate (13), and two M8 Locknuts (22); **do not tighten the Locknuts yet.**

Attach the other Dip Arm (5) to the left Upright (not shown) in the same way.



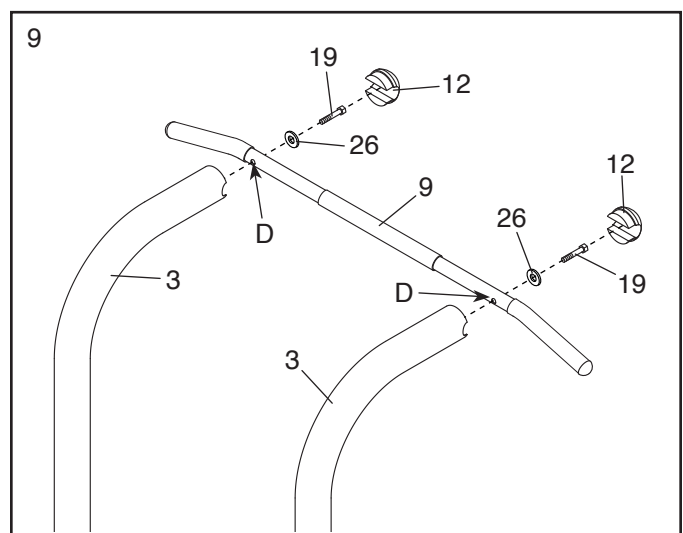
- Attach the Top Crossbar (7) to one of the Dip Arms (5) with two M8 x 75mm Bolts (17), two M8 Curved Washers (23), and two M8 Locknuts (22); **do not tighten the Locknuts yet.**

Attach the Top Crossbar (7) to the other Dip Arm (5) in the same way.

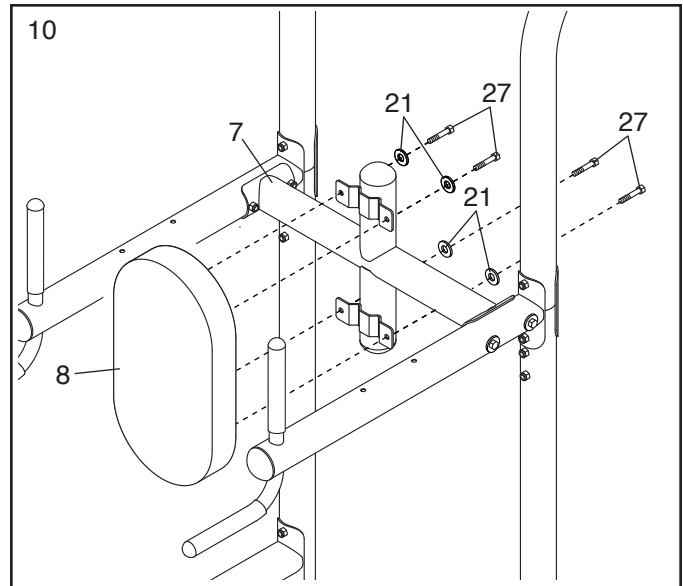


- Attach the Pull-up Bar (9) to the Uprights (3) with two M10 x 50mm Screws (19) and two M10 Curved Washers (26). **Make sure that the indented holes (D) in the Pull-up Bar are on the side shown.** Then, press the two Rubber Caps (12) into the ends of the Uprights.

See steps 3–8. Tighten all of the M8 Locknuts (22).

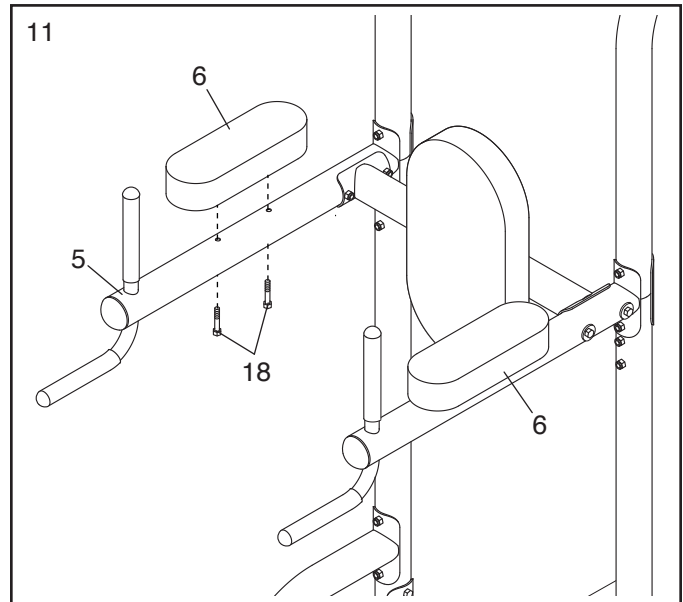


10. Attach the Backrest (8) to the Top Crossbar (7) with four M6 x 16mm Screws (27) and four M6 Washers (21); **start all the Screws, and then tighten them.**



11. Attach an Arm Pad (6) to one of the Dip Arms (5) with two M6 x 73mm Screws (18).

Repeat this step with the other Arm Pad (6).



12. **Make sure that all parts have been properly tightened before the exercise rack is used.** Extra parts may be included.

EXERCISE GUIDELINES

WORKOUT GUIDELINES

Familiarize yourself with the equipment and learn the proper form for each exercise. Use your own judgment to determine the appropriate length of time for each workout, and the numbers of repetitions and sets to complete. Progress at your own pace and be sensitive to your body's signals. Follow each strength workout with at least one day of rest.

Note: A "repetition" is one complete cycle of an exercise, such as one push-up. A "set" is a series of repetitions.

Warming Up—Start with 5 to 10 minutes of light exercise. A warm-up increases your body temperature, heart rate, and circulation in preparation for exercise.

Working Out—Include 5 to 10 different exercises in each workout. Select exercises for every major muscle group, emphasizing areas that you want to develop. To give balance and variety to your workouts, vary the exercises from workout to workout.

Cooling Down—Finish with 5 to 10 minutes of stretching. Stretching increases the flexibility of your muscles and helps to prevent post-exercise problems.

Cross Training—Combine strength training and aerobic exercise by following this type of program:

- Strength workouts on Monday, Wednesday, and Friday
- 20 to 30 minutes of aerobic exercise on Tuesday and Thursday
- One full day of rest each week to give your body time to regenerate

EXERCISE FORM

Move through the full range of motion for each exercise, and move only the appropriate parts of the body. Perform the repetitions in each set smoothly and without pausing. The exertion stage of each repetition should last about half as long as the return stage. Exhale during the exertion stage of each repetition and inhale during the return stroke. Never hold your breath.

Rest for a short period of time after each set:

- Muscle Building—Rest for three minutes after each set.
- Toning—Rest for one minute after each set.
- Weight Loss—Rest for 30 seconds after each set.

STAYING MOTIVATED

For motivation, keep a record of each workout. Write the date, the exercises performed, the resistance used, and the numbers of sets and repetitions completed. Record your weight and key body measurements once a month.

To achieve good results, make exercise a regular and enjoyable part of your life.

NOTES

PART LIST

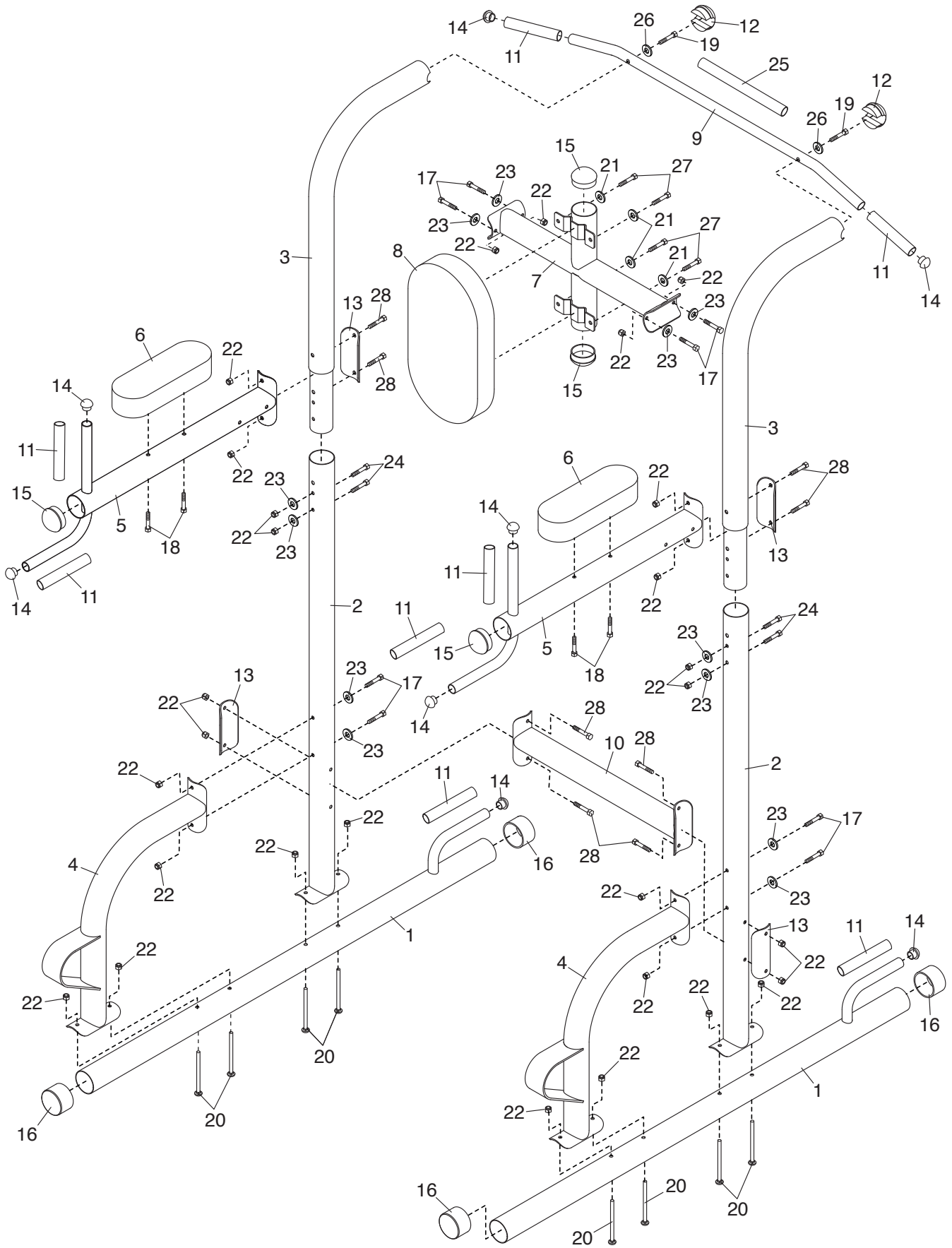
Model No. GGBE0969.4 R0118A

Key No.	Qty.	Description	Key No.	Qty.	Description
1	2	Stabilizer	16	4	60mm Outer Cap
2	2	Upright Base	17	8	M8 x 75mm Bolt
3	2	Upright	18	4	M6 x 73mm Screw
4	2	Support	19	2	M10 x 50mm Screw
5	2	Dip Arm	20	8	M8 x 68mm Carriage Bolt
6	2	Arm Pad	21	4	M6 Washer
7	1	Top Crossbar	22	28	M8 Locknut
8	1	Backrest	23	12	M8 Curved Washer
9	1	Pull-up Bar	24	4	M8 x 68mm Bolt
10	1	Bottom Crossbar	25	1	Foam Grip
11	8	Handgrip	26	2	M10 Curved Washer
12	2	Rubber Cap	27	4	M6 x 16mm Screw
13	4	Support Plate	28	8	M8 x 77mm Bolt
14	8	25mm Cap	*	–	User's Manual
15	4	60mm Cap	*	–	Exercise Guide

Note: Specifications are subject to change without notice. For information about ordering replacement parts, please see the back cover of this manual. *These parts are not illustrated.

EXPLODED DRAWING

Model No. GGBE0969.4 R0118A



ORDERING REPLACEMENT PARTS

To order replacement parts, please see the front cover of this manual. To help us assist you, be prepared to provide the following information when contacting us:

- the model number and serial number of the product (see the front cover of this manual)
- the name of the product (see the front cover of this manual)
- the key number and description of the replacement part(s) (see the PART LIST and the EXPLODED DRAWING near the end of this manual)

LIMITED WARRANTY

IMPORTANT: To protect your fitness equipment with an extended service plan, see page 4.

ICON Health & Fitness, Inc. (ICON) warrants this product to be free from defects in workmanship and material, under normal use and service conditions. Parts and labor are warranted for ninety (90) days from the date of purchase.

This warranty extends only to the original purchaser (customer) and is not transferrable. ICON's obligation under this warranty is limited to repairing or replacing, at ICON's option, the product through one of its authorized service providers. All repairs for which warranty claims are made must be preauthorized by ICON. If replacement parts are shipped while the product is under warranty, the customer will be responsible for a minimal handling charge. For in-home service, the customer may be responsible for a minimal trip charge. This warranty does not extend to freight damage to the product. This warranty will automatically be voided by the following conditions: (1) if the product is used as a store display model, (2) if the product is purchased or transported outside the USA, (3) if all instructions and warnings in this manual are not followed, (4) if the product is abused or improperly or abnormally used, or (5) if the product is used for commercial or rental purposes. No other warranty beyond that specifically set forth above is authorized by ICON.

ICON is not responsible or liable for the following damages: (1) indirect, special, or consequential damages arising out of or in connection with the use or performance of the product; (2) damages with respect to any economic loss, loss of property, loss of revenues or profits, loss of enjoyment or use, or costs of removal or installation; or (3) other consequential damages of any kind. Some states do not allow the exclusion or limitation of incidental or consequential damages. Accordingly, the above limitation may not apply to the customer.

The warranty extended hereunder is in lieu of any and all other warranties, and any implied warranties of merchantability or fitness for a particular purpose are limited in their scope and duration to the terms set forth herein. Some states do not allow limitations on how long an implied warranty lasts. Accordingly, the above limitation may not apply to the customer. This warranty provides specific legal rights; the customer may have other rights that vary from state to state.

For warranty service, please call the telephone number on the front cover of this manual. Please be prepared to provide the model number and serial number of the product (see the front cover of this manual).

ICON Health & Fitness, Inc., 1500 S. 1000 W., Logan, UT 84321-9813

Free Manuals Download Website

<http://myh66.com>

<http://usermanuals.us>

<http://www.somanuals.com>

<http://www.4manuals.cc>

<http://www.manual-lib.com>

<http://www.404manual.com>

<http://www.luxmanual.com>

<http://aubethermostatmanual.com>

Golf course search by state

<http://golfingnear.com>

Email search by domain

<http://emailbydomain.com>

Auto manuals search

<http://auto.somanuals.com>

TV manuals search

<http://tv.somanuals.com>