

QUICK GUIDE

24HB1J65U

669/2979

Please read this quick guide fully before installing or operating because it contains important setup information and keep for future reference.

For any help concerning set up and use of your TV please call the Customer Helpline: 0345 604 0105

Lines open: 9am - 8pm Monday to Saturday and 10am - 4pm Sunday

- IMPORTANT - If placing TV into cabinet or alcove, ensure there is at least a 100mm (10cm) gap to the sides, rear and top of the TV. This is to allow for adequate ventilation during operation. Please read the main Users Guide for more safety information before installation.

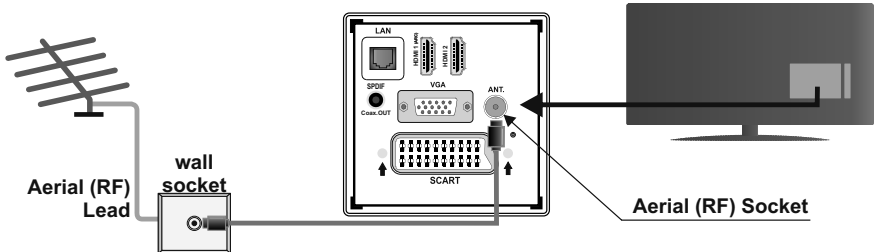
1

insert the batteries into your handset



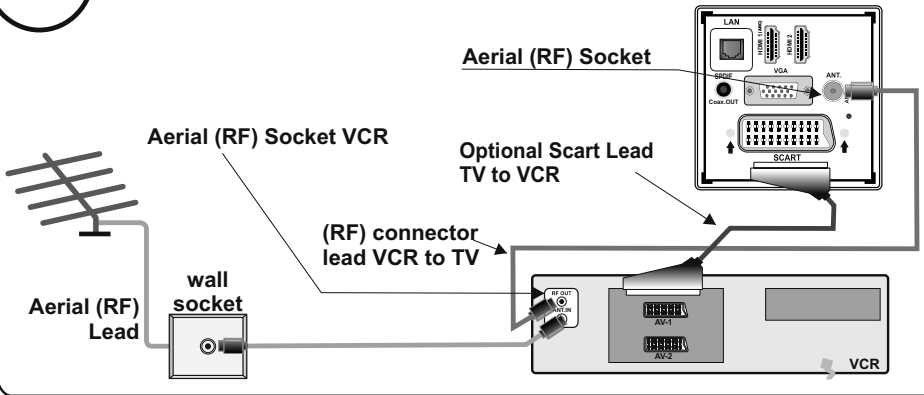
2a

either connect the aerial straight to your TV...



2b

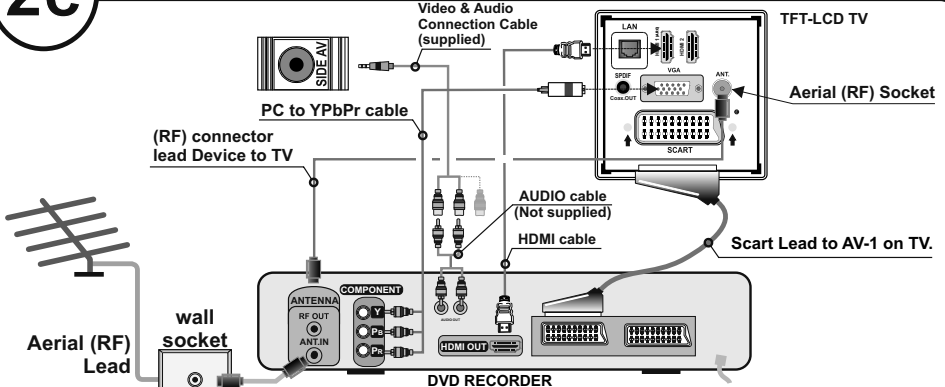
...or connect the aerial through a VCR...



• It is recommended that a scart lead should be fitted between your TV and VCR to enhance your picture and sound quality. Scart leads are essential if you have a stereo TV and VCR and wish to obtain stereo sound from your equipment. These leads can be purchased from your Hitachi dealer or any good High Street electrical retailer.

2c

...or through a HDMI and YPbPr products (DVD-RW)



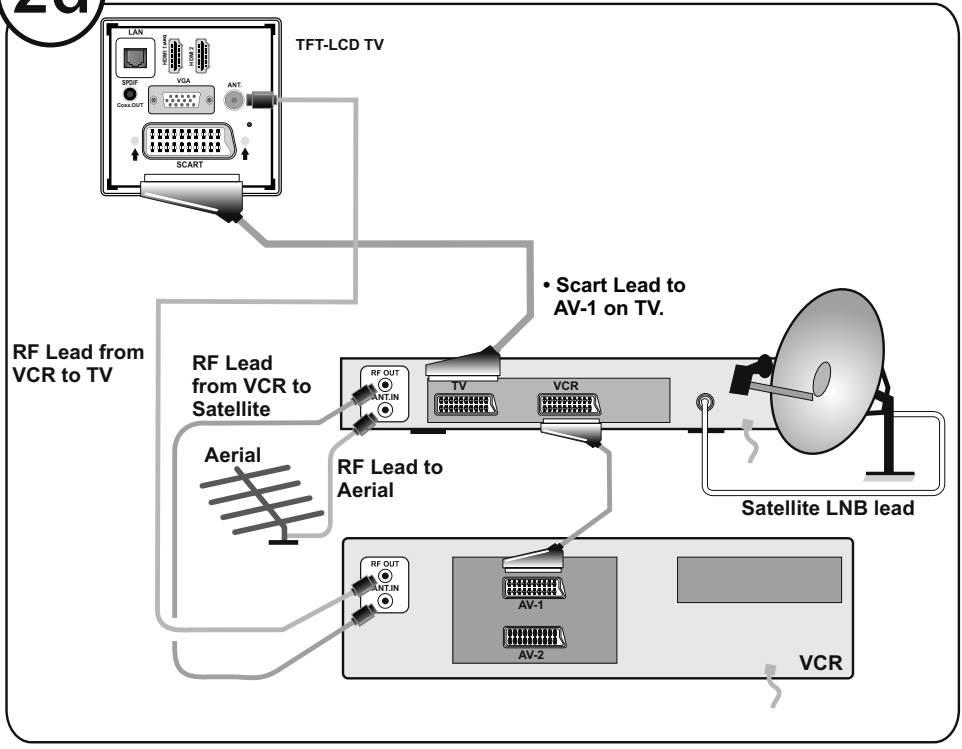
Note : These three methods of connection perform the same function but in different levels of quality. It is not necessary to connect by all three methods.

• High Definition

Your LCD Television is capable of displaying High Definition pictures from devices such as a High Definition Satellite Receiver or DVD Device. These devices must be connected via the HDMI socket or Component Socket.

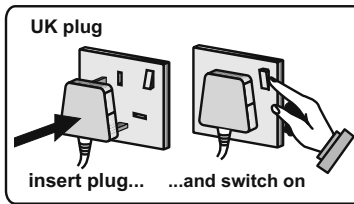
2d

...or through a VCR and satellite decoder.



3

connect the TV plug to the mains socket



4

Press the **OPERATE/STANDBY** button on the remote control or press the control switch, located on the left side of the TV. The TV will then switch on.

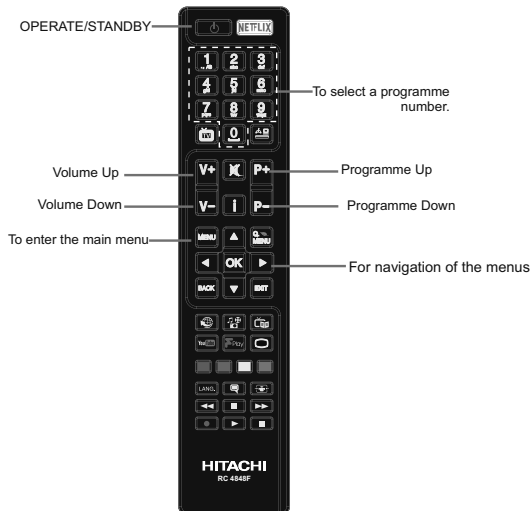
Rear view



1. Up direction
2. Down direction
3. Programme/Volume/Av/Standby-on selection switch

NB: When the set is first switched on, the set will be in standby. Press the **Standby** button, **Programme + / -** button or a numeric button on the remote control.

basic functions of remote control



5

First Time Installation

When turned on for the first time, the language selection screen is displayed. Select the desired language and press **OK**.

On the next screen, set your preferences as follows:

Country	UK
Teletext Language	West
Scan encrypted Channels	On

Select Broadcast Type:

Digital Aerial	On
Cable	Off
Analogue	Off
Select Favourite Network Type	Digital Aerial

Press **OK** to continue.

Select Home Mode for home use. You can activate Store Mode option at this point if necessary, however, this option is only intended for store use.

Press **OK** button on the remote control to continue and the Network Settings menu will be displayed.

Select Network Type: Wired or Wireless You will then be prompted by the menu to make the correct settings. When you have connected to your network, press **OK**.

If you are not sure how to proceed, press **Skip** button to perform the channel scan. You can connect to the internet by following the instructions in item 6 at any time.

After the channel scan has completed, the **Choose Region** menu may appear. Select the appropriate settings for your location using the directional buttons then press **OK**.

After the initial settings are completed TV will start to search for available broadcasts of the selected broadcast types. The Edit Channel List menu will be displayed when the search is completed. You can edit the channel list according to your preferences or press the Menu button to quit and watch TV.

While the search continues a message may appear, asking whether you want to sort channels according to the LCN(*). Select Yes and press OK to confirm.

(* LCN is the Logical Channel Number system that organizes available broadcasts in accordance with a recognizable channel number sequence (if available).

Note: Do not turn off the TV while initializing first time installation. Note that, some options may not be available depending on the country selection.


important note

Once the TV has found all your local stations, they are then automatically assigned a programme number and name, if available from the broadcast.

Connectivity feature allows you to connect your TV to the home network wired or wirelessly. You can use this networking system to connect to the Portal or to access photo, video and audio files that are stored on a Media server connected to the network and play/display them on the TV.

Add your TV to your home network by connecting it to the modem/router via an LAN cable (not supplied) as illustrated.

Press the **Menu** button to open the main TV menu. Select **Settings** by using the directional buttons and press **OK** to enter. Highlight **Network Settings** and press **OK**. While **Network Type** is highlighted, press Left or Right buttons to select connection type. Wired connection will be established automatically. If wireless connection is selected TV will search for the available wireless networks and list them when finished. Select one and press the **OK** button to connect. If the wireless network is password protected you should enter the correct code to access the network. Once you have established a wireless connection, this will be saved and you shouldn't enter the password to connect to the same wireless network again. You can delete the saved wifi profile any time. If a **First Time Installation** is performed, this profile will be deleted as well.

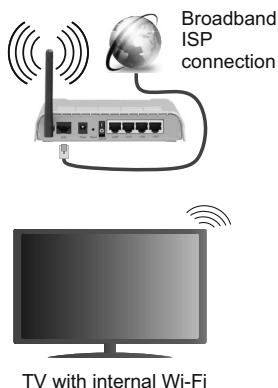
Press the **Internet** button -  on the remote to access internet portal, while your TV is connected. You can access a wide range of applications and services, using the internet portal feature of your TV.

Note: The appearance of the **Internet** button on your remote may differ according to the remote type supplied with your TV. Please check the remote overview page in the instruction manual. Portal page content is subject to change at any given time without prior notice.

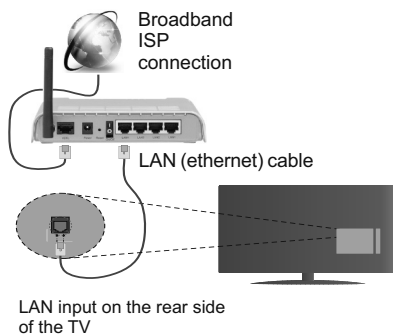
Nero MediaHome software download link: <http://www.nero.com/mediahome-tv>.

Refer to the instruction manual for more details.

Wireless Connection



Wired Connection



Free Manuals Download Website

<http://myh66.com>

<http://usermanuals.us>

<http://www.somanuals.com>

<http://www.4manuals.cc>

<http://www.manual-lib.com>

<http://www.404manual.com>

<http://www.luxmanual.com>

<http://aubethermostatmanual.com>

Golf course search by state

<http://golfingnear.com>

Email search by domain

<http://emailbydomain.com>

Auto manuals search

<http://auto.somanuals.com>

TV manuals search

<http://tv.somanuals.com>