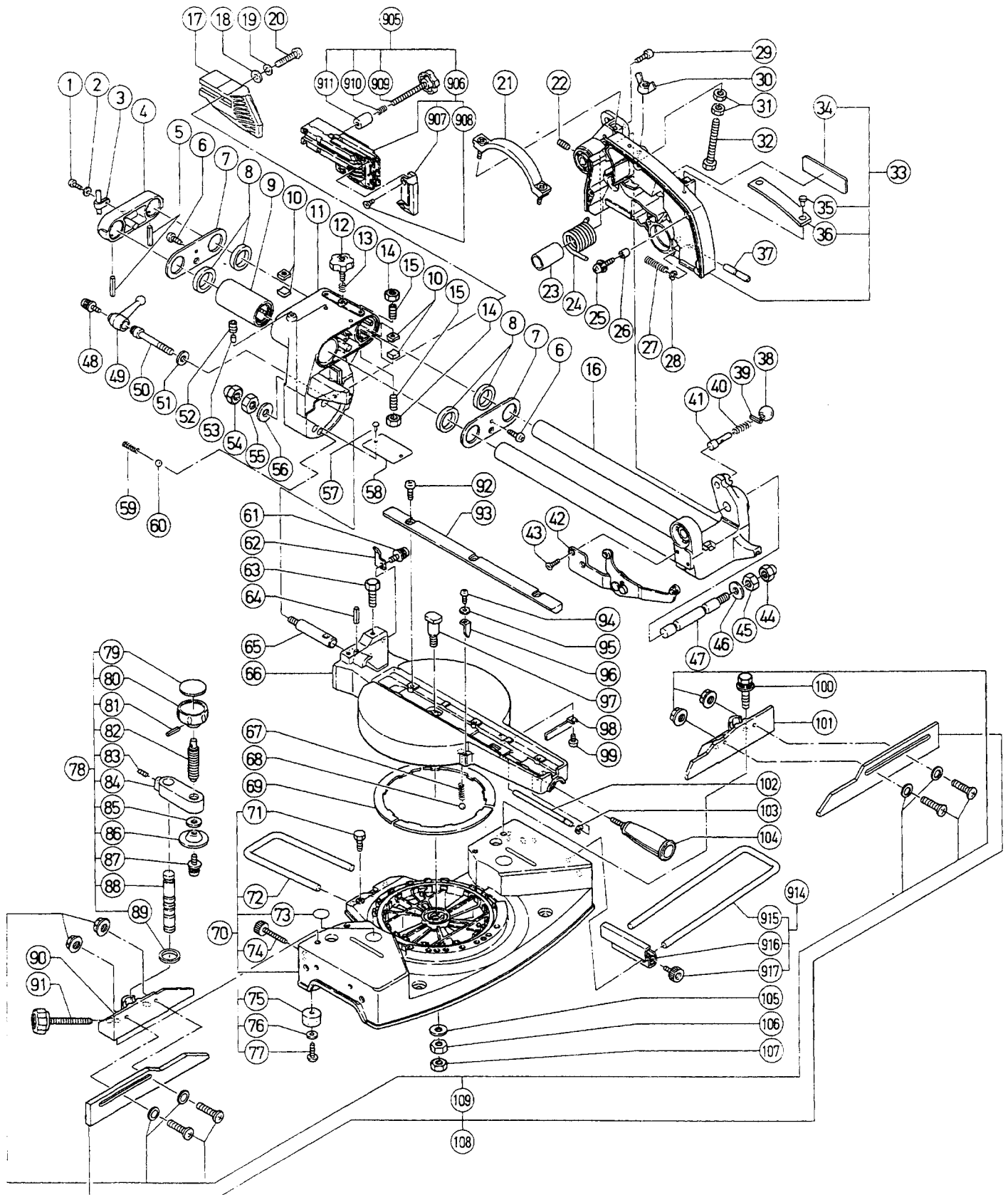
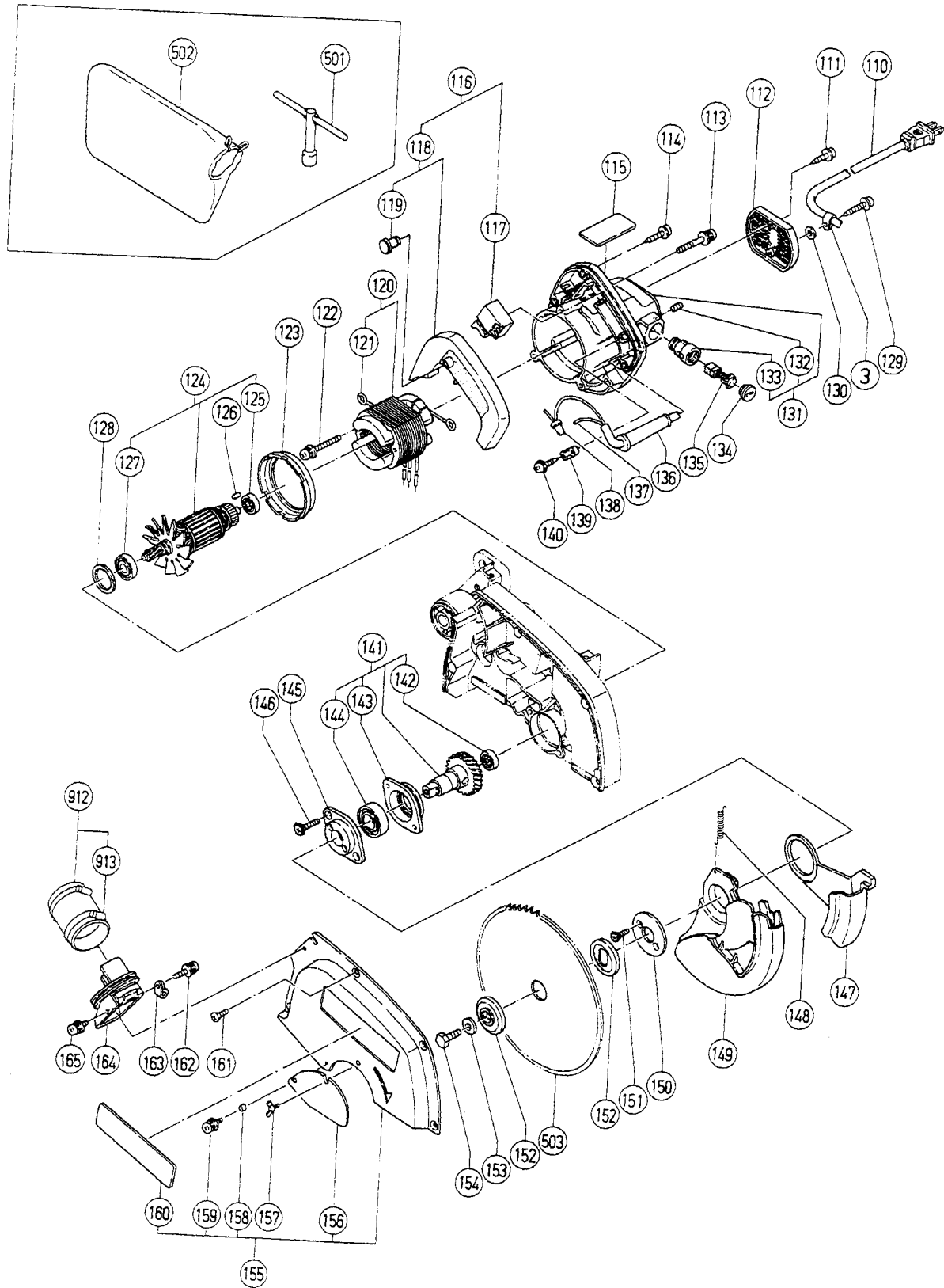


ELECTRIC TOOL PARTS LIST

■ SLIDE COMPOUND SAW
Model C 8FB2

1995 • 5 • 18
(E2)





PARTS

C 8FB2

| ITEM NO. | CODE NO. | DESCRIPTION | NO. USED | REMARKS |
|----------|----------|---|----------|----------------------|
| 1 | 949-219 | MACHINE SCREW M4X16 (10 PCS.) | 1 | |
| 2 | 948-429 | BOLT WASHER M4 (10 PCS.) | 1 | |
| 3 | 948-193 | NYLON CLIP | 2 | |
| 4 | 307-222 | SUPPORT | 1 | |
| 5 | 949-686 | ROLL PIN D6X40 (10 PCS.) | 2 | |
| 6 | 949-237 | MACHINE SCREW M5X12 (10 PCS.) | 2 | |
| 7 | 996-227 | PACKING COVER | 2 | |
| 8 | 996-226 | FELT | 4 | |
| 9 | 998-825 | BALL BUSHING | 1 | |
| 10 | 996-223 | BUSHING | 4 | |
| 11 | 307-228 | HOLDER (A) | 1 | |
| 12 | 996-225 | KNOB BOLT M8X20 | 1 | |
| 13 | 996-224 | LOCK SPRING | 1 | |
| 14 | 949-568 | LOCK NUT M8 (10 PCS.) | 4 | |
| 15 | 974-500 | HEX. SOCKET SET SCREW M8X16 | 4 | |
| 16 | 307-225 | HINGE | 1 | |
| 17 | 998-853 | GUARD | 1 | |
| 18 | 949-433 | BOLT WASHER M8 (10 PCS.) | 1 | |
| 19 | 949-457 | SPRING WASHER M8 (10 PCS.) | 1 | |
| 20 | 949-273 | MACHINE SCREW M8X30 (10 PCS.) | 1 | |
| 21 | 998-855 | HANDLE | 1 | |
| 22 | 966-481 | HEX. SOCKET SET SCREW M6X16 | 2 | |
| 23 | 310-653 | SLEEVE | 1 | |
| 24 | 996-234 | SPRING | 1 | |
| 25 | 995-096 | MACHINE SCREW (W/WASHERS) M5X20 | 1 | |
| 26 | 975-637 | COLLAR (B) | 1 | |
| 27 | 998-852 | SPRING | 1 | |
| 28 | 974-577 | RETAINING RING (E - TYPE) FOR D7 SHAFT | 1 | |
| 29 | 949-819 | HEX. SOCKET HD. BOLT M5X10 (10 PCS.) | 1 | |
| 30 | 949-312 | WING NUT M8 (10 PCS.) | 1 | |
| 31 | 949-558 | NUT M8 (10 PCS.) | 2 | |
| 32 | 952-013 | BOLT M8X100 | 1 | |
| 33 | 310-658 | GEAR CASE ASS'Y | 1 | INCLUD.25,26,34 - 38 |
| 34 | 310-655 | WARNING LABEL | 1 | |
| 35 | 949-510 | RIVET D2.5X4.8 (10 PCS.) | 2 | |
| 36 | 307-766 | CAUTION PLATE (E) | 1 | |
| 37 | 974-576 | STOPPER PIN | 1 | |
| 38 | 967-896 | GRIP | 1 | |
| 39 | 949-539 | ROLL PIN D3X25 (10 PCS.) | 1 | |
| 40 | 948-363 | GAUGE SPRING | 1 | |
| 41 | 988-874 | SET PIN | 1 | |
| 42 | 307-655 | LINK | 1 | |
| 43 | 949-340 | FLAT HD. SCREW M6X16 (10 PCS.) | 2 | |
| 44 | 998-821 | CAP NUT M12 | 1 | |
| 45 | 949-561 | NUT M12 (10 PCS.) | 1 | |
| 46 | 949-437 | BOLT WASHER M12 (10 PCS.) | 1 | |
| 47 | 996-235 | HINGE SHAFT | 1 | |
| 48 | 307-232 | MACHINE SCREW (W/WASHERS) M6X12 (BLACK) | 1 | |
| 49 | 996-219 | CLAMP LEVER | 1 | |
| 50 | 996-218 | BOLT (LEFT HAND) M10 | 1 | |
| 51 | 302-998 | WASHER (I) | 1 | |

*: ALTERNATIVE PARTS

PARTS

C 8FB2

| ITEM NO. | CODE NO. | DESCRIPTION | NO. USED | REMARKS |
|----------|----------|---------------------------------|----------|--------------------|
| 52 | 986-458 | HEX. SOCKET SET SCREW M8X8 | 1 | |
| 53 | 976-301 | BEARING LOCK | 1 | |
| 54 | 998-821 | CAP NUT M12 | 1 | |
| 55 | 949-561 | NUT M12 (10 PCS.) | 1 | |
| 56 | 949-437 | BOLT WASHER M12 (10 PCS.) | 1 | |
| 57 | 949-509 | RIVET D2.5X3.2 (10 PCS.) | 2 | |
| 58 | 998-999 | CAUTION PLATE (A) | 1 | |
| 59 | 967-150 | SPRING (C) | 2 | |
| 60 | 959-153 | STEEL BALL D12.7 (10 PCS.) | 2 | |
| 61 | 997-314 | MACHINE SCREW (W/WASHERS) M6X10 | 1 | |
| 62 | 996-220 | INDICATOR | 1 | |
| 63 | 303-409 | NYLOCK BOLT M8X25 | 2 | |
| 64 | 998-820 | SLOTTED PIN D8X30 | 1 | |
| 65 | 998-819 | HOLDER SHAFT | 1 | |
| 66 | 998-812 | TURN TABLE | 1 | |
| 67 | 967-150 | SPRING (C) | 1 | |
| 68 | 959-153 | STEEL BALL D12.7 (10 PCS.) | 1 | |
| 69 | 998-811 | LINER | 3 | |
| 70 | 308-797 | BASE ASS'Y | 1 | INCLUD.71 -- 77 |
| 71 | 949-613 | BOLT M6X18 (10 PCS.) | 1 | |
| 72 | 998-844 | HOLDER | 1 | |
| 73 | | CAUTION LABEL (J) | 2 | |
| 74 | 998-843 | KNOB BOLT M8X52 | 2 | |
| 75 | 964-851 | BASE RUBBER | 5 | |
| 76 | 949-431 | BOLT WASHER M5 (10 PCS.) | 5 | |
| 77 | 949-241 | MACHINE SCREW M5X20 (10 PCS.) | 5 | |
| 78 | 307-559 | WISE AND KNOB ASS'Y | 1 | INCLUD.79 -- 89,91 |
| 79 | 998-832 | LABEL (A) | 1 | |
| 80 | 996-263 | KNOB | 1 | |
| 81 | 949-548 | ROLL PIN D4X25 (10 PCS.) | 1 | |
| 82 | 998-830 | SCREW | 1 | |
| 83 | 996-281 | HEX. SOCKET SET SCREW M8X16 | 1 | |
| 84 | 301-850 | SCREW HOLDER | 1 | |
| 85 | 949-434 | BOLT WASHER M10 (10 PCS.) | 1 | |
| 86 | 996-261 | WISE PLATE | 1 | |
| 87 | 997-314 | MACHINE SCREW (W/WASHERS) M6X10 | 1 | |
| 88 | 307-230 | WISE SHAFT | 1 | TILL 11.1992 |
| 89 | 976-442 | COLLAR (A) FOR D25.4 HOLE | 1 | |
| 90 | 307-220 | FENCE (B) | 1 | |
| 91 | 998-833 | KNOB BOLT M10X70 | 1 | |
| 92 | 949-258 | MACHINE SCREW M6X20 (10 PCS.) | 6 | |
| 93 | 998-818 | TABLE INSERT | 2 | |
| 94 | 949-215 | MACHINE SCREW M4X8 (10 PCS.) | 1 | |
| 95 | 949-429 | BOLT WASHER M4 (10 PCS.) | 1 | |
| 96 | 977-587 | INDICATOR | 1 | |
| 97 | 998-813 | SHAFT | 1 | |
| 98 | 998-814 | SPACER | 1 | |
| 99 | 949-216 | MACHINE SCREW M4X10 (10 PCS.) | 1 | |
| 100 | 307-221 | BOLT (W/WASHERS) M8X35 (BLACK) | 4 | |
| 101 | 307-219 | FENCE (A) | 1 | |
| 102 | 998-815 | SHAFT | 1 | |

*: ALTERNATIVE PARTS

PARTS

C 8FB2

| ITEM NO. | CODE NO. | DESCRIPTION | NO. USED | REMARKS |
|----------|----------|--|----------|------------------|
| 103 | 974-577 | RETAINING RING (E - TYPE) FOR D7 SHAFT | 1 | |
| 104 | 978-805 | SIDE HANDLE | 1 | |
| 105 | 967-115 | WASHER (T) | 1 | |
| 106 | 949-561 | NUT M12 (10 PCS.) | 1 | |
| 107 | 949-574 | LOCK NUT M12 (10 PCS.) | 1 | |
| 108 | 310-857 | SLIDE FENCE ASS'Y | 1 | INCLUD.109 |
| 109 | 310-858 | SCREW | 1 | |
| 110 | 310-846 | CORD | 1 | |
| 111 | 302-086 | TAPPING SCREW (W/FLANGE) D4X20 (BLACK) | 1 | |
| 112 | 996-254 | TAIL COVER | 1 | |
| 113 | 997-841 | MACHINE SCREW (W/WASHERS) M5X50 (BLACK) | 3 | |
| 114 | 304-035 | TAPPING SCREW (W/FLANGE) D4X25 (BLACK) | 3 | |
| 115 | | NAME PLATE | 1 | |
| 116 | 998-986 | SWITCH AND HANDLE COVER SET | 1 | INCLUD.117,118 |
| 117 | 998-839 | SWITCH (1P PILLAR TYPE) W/LOCK | 1 | |
| 118 | 998-985 | HANDLE COVER ASS'Y | 1 | INCLUD.119 |
| 119 | 951-895 | LOCK OFF BUTTON | 1 | |
| 120 | 340-108G | STATOR ASS'Y (B) 115V | 1 | INCLUD.121 |
| 121 | 975-884 | BRUSH TERMINAL | 2 | |
| 122 | 307-224 | MACHINE SCREW (W/WASHERS) M5X60 (BLACK) | 2 | |
| 123 | 996-253 | FAN GUIDE (B) | 1 | |
| 124 | 360-072U | ARMATURE ASS'Y 115V | 1 | INCLUD.125,127 |
| 125 | 608-VVM | BALL BEARING 608VVMC2EPS2L | 1 | |
| 126 | 976-301 | BEARING LOCK | 1 | |
| 127 | 600-1VV | BALL BEARING 6001VVCMP2L | 1 | |
| 128 | 996-252 | RUBBER RING | 1 | |
| 129 | 304-035 | TAPPING SCREW (W/FLANGE) D4X25 (BLACK) | 1 | |
| 130 | 978-448 | WASHER (B) | 1 | |
| 131 | 996-269 | HOUSING ASS'Y | 1 | INCLUD.132,133 |
| 132 | 996-426 | HEX. SOCKET SET SCREW M5X6 | 2 | |
| 133 | 996-270 | BRUSH HOLDER | 2 | |
| 134 | 996-259 | BRUSH CAP | 2 | |
| 135 | 999-043 | CARBON BRUSH (1 PAIR) | 2 | |
| 136 | 994-585 | CORD ARMOR D 10.1 | 1 | |
| 137 | 988-894 | TUBE (D) | 1 | |
| 138 | 959-140 | CONNECTOR 50091 (10 PCS.) | 1 | |
| 139 | 937-831 | CORD CLIP | 1 | |
| 140 | 995-062 | TAPPING SCREW (W/WASHER) D4X16 | 2 | |
| 141 | 310-645 | SPINDLE ASS'Y | 1 | INCLUD.142 - 144 |
| 142 | 608-VVM | BALL BEARING 608VVMC2EPS2L | 1 | |
| 143 | 996-238 | BEARING HOLDER | 1 | |
| 144 | 600-4VV | BALL BEARING 6004VVCMP2S | 1 | |
| 145 | 310-644 | COVER HOLDER | 1 | |
| 146 | 996-240 | FLAT HD.SCREW (W/TOOTHED LOCK WASH)M5X35 | 2 | |
| 147 | 303-744 | SUB COVER | 1 | |
| 148 | 303-745 | RETURN SPRING | 1 | |
| 149 | 307-654 | SAFETY COVER | 1 | |
| 150 | 310-651 | COVER | 1 | |
| 151 | 996-244 | FLAT HD. SCREW(W/TOOTHED LOCK WASH)M4X12 | 2 | |
| 152 | 998-836 | WASHER (C) | 2 | |
| 153 | 996-257 | WASHER | 1 | |

*: ALTERNATIVE PARTS

PARTS

C 8FB2

| ITEM NO. | CODE NO. | DESCRIPTION | NO. USED | REMARKS |
|----------|----------|---------------------------------|----------|----------------------|
| 154 | 996-258 | BOLT (LEFT HAND) M7X17.5 | 1 | |
| 155 | 310-648 | SAW COVER ASS'Y | 1 | INCLUD.156,158 - 160 |
| 156 | 310-649 | SPINDLE COVER | 1 | |
| 157 | 949-397 | WING BOLT M5X10 (10 PCS.) | 1 | |
| 158 | 998-980 | SPACER | 1 | |
| 159 | 996-274 | MACHINE SCREW (W/WASHERS) M5X8 | 1 | |
| 160 | 998-842 | HITACHI LABEL | 1 | |
| 161 | 996-249 | PAN HD. SCREW M5X10 | 4 | |
| 162 | 990-541 | MACHINE SCREW (W/WASHERS) M5X16 | 1 | |
| 163 | 996-530 | NYLON CLIP | 1 | |
| 164 | 996-250 | DUCT | 1 | |
| 165 | 996-274 | MACHINE SCREW (W/WASHERS) M5X8 | 1 | |
| | | | | |
| | | | | |
| | | | | |

STANDARD ACCESSORIES

| ITEM NO. | CODE NO. | DESCRIPTION | NO. USED | REMARKS |
|----------|----------|--|----------|---------|
| 501 | 968-658 | BOX WRENCH 10MM | 1 | |
| 502 | 998-845 | DUST BAG | 1 | |
| 503 | 998-840 | TCT SAW BLADE 216MM - D15.88 HOLE - NT24 | 1 | |
| | | | | |
| | | | | |

OPTIONAL ACCESSORIES

| ITEM NO. | CODE NO. | DESCRIPTION | NO. USED | REMARKS |
|----------|----------|--|----------|---------------------|
| 901 | 998-865 | SAW BLADE (COMBINATION) 216MM - D15.88HOLE | 1 | |
| 902 | 998-860 | TCT SAW BLADE 216MM - D15.88 HOLE - NT36 | 1 | |
| 903 | 998-862 | TCT SAW BLADE 216MM - D15.88 HOLE - NT60 | 1 | |
| 904 | 998-864 | TCT SAW BLADE 216MM - D15.88 HOLE - NT60 | 1 | |
| 905 | 998-984 | GUARD ASS'Y (A) | 1 | INCLUD.906 - 911 |
| 906 | 998-847 | GUARD ASS'Y | 1 | INCLUD.907,908 |
| 907 | 998-849 | GUARD (C) | 1 | |
| 908 | 998-850 | FLAT HD. SCREW (BRASS) M4X6 | 4 | |
| 909 | 998-848 | KNOB BOLT M8X75 | 1 | |
| 910 | 873-923 | GOVERNOR SPRING | 1 | |
| 911 | 998-823 | SLEEVE | 1 | |
| 912 | 998-857 | DUCT HOSE ADAPTER ASS'Y | 1 | INCLUD.913 |
| 913 | 873-176 | HOSE BAND | 2 | |
| 914 | 998-866 | GUIDE ASS'Y | 1 | INCLUD.74,915 - 917 |
| 915 | 998-834 | HOLDER | 2 | |
| 916 | 998-835 | STOPPER | 1 | |
| 917 | 998-836 | KNOB BOLT M6X11 | 1 | |
| | | | | |
| | | | | |
| | | | | |

*: ALTERNATIVE PARTS

Free Manuals Download Website

<http://myh66.com>

<http://usermanuals.us>

<http://www.somanuals.com>

<http://www.4manuals.cc>

<http://www.manual-lib.com>

<http://www.404manual.com>

<http://www.luxmanual.com>

<http://aubethermostatmanual.com>

Golf course search by state

<http://golfingnear.com>

Email search by domain

<http://emailbydomain.com>

Auto manuals search

<http://auto.somanuals.com>

TV manuals search

<http://tv.somanuals.com>