

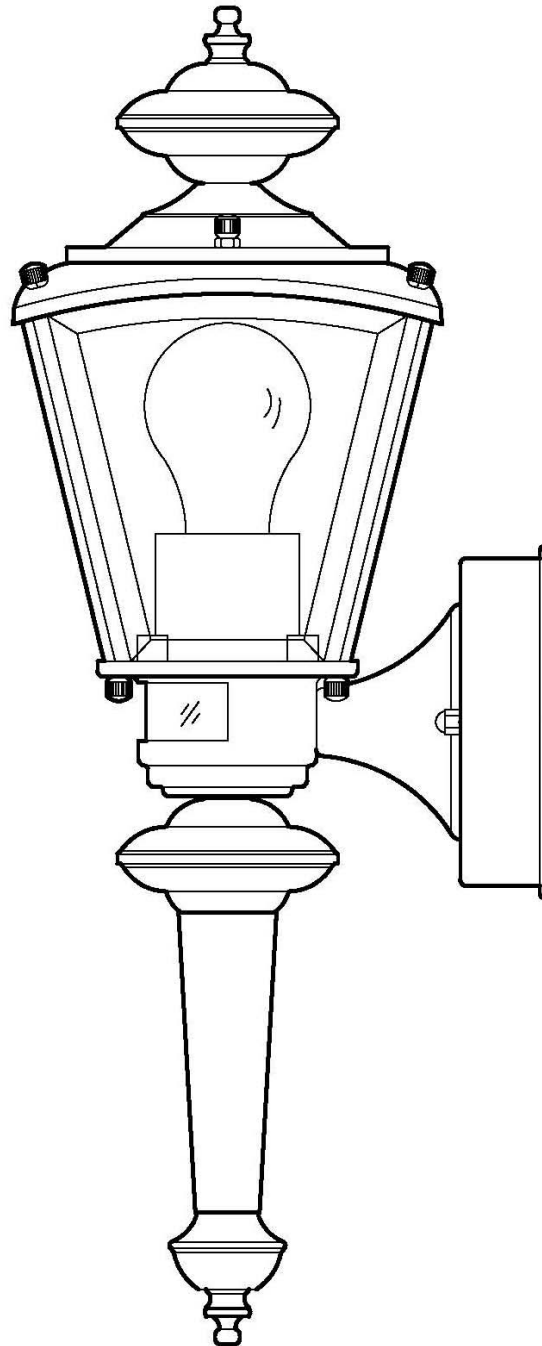


# INSTRUCTIONS MANUAL

## EXTERIOR WALL LANTERN WITH MOTION SENSOR AND SIX-HOUR TIMER



HOME DEPOT SKU# 248-523 (UPC# 046335904293)



Thank you for purchasing this Hampton Bay exterior wall lantern. This product has been manufactured with the highest standards of safety and quality. The finish of this lantern is weather resistant but over time will naturally weather and fade. This fixture is equipped with motion sensor and six-hour timer features, providing convenience and security against unwanted criminal element.

## **FEATURES:**

1. Easy to install.
2. Handsome Black finish with Clear Beveled glass.
3. **MOTION SENSOR FUNCTION** – At dusk the motion sensor will activate and automatically turn the light on when moving heat sources (such as people or motor vehicles) are detected within its coverage area. The motion sensor will remain active throughout the night and deactivate at dawn. The motion sensor has a detection range up to 30 feet and a detection angle of 220°.
4. **SIX HOUR TIMER FUNCTION** – At dusk the light will automatically turn on. After six hours the light will turn off and the motion detector will activate. The motion sensor will remain active throughout the night and deactivate at dawn.
5. **MANUAL OVERRIDE** – The user may manually turn on the light from inside his home using its wall switch.
6. For energy savings this fixture has been engineered to safely use a Self Ballasted Compact Fluorescent Lamp in place of an incandescent lamp.
7. **ENERGY STAR®** qualified

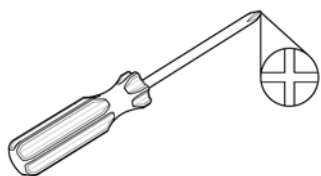
## **QUESTIONS, PROBLEMS, MISSING PARTS:**

Before returning to your local Home Depot, please call our Customer Service Team at 1-877-527-0313 or visit [www.homedepot.com](http://www.homedepot.com). Please reference your SKU (248-523) or UPC (046335904293).

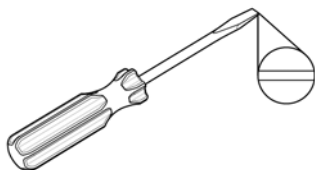
## CAUTION:

1. Before starting installation of this fixture or removal of a previous fixture, disconnect the power by turning off the circuit breaker or by removing the fuse at the fuse box.
2. There are no serviceable parts inside the motion sensor. DO NOT try to repair or disassemble the unit. Doing so could damage the unit and cause possible electrical shock. Consult a qualified electrician if needed.
3. CONSULT A QUALIFIED ELECTRICIAN IF YOU HAVE ANY ELECTRICAL QUESTIONS. If you have any non-electrical questions about this fixture, please call our Customer Service Team at 1-877-527-0313 or visit [www.homedepot.com](http://www.homedepot.com). Please reference your SKU (248-523) or UPC (046335904293).
4. KEEP your receipt and these Instructions for Proof of Purchase.

## TOOLS REQUIRED FOR INSTALLATION AND ASSEMBLY (not included):



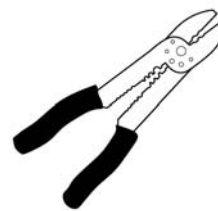
Phillips  
screwdriver



Flathead  
screwdriver



Wire  
cutters



Wire  
strippers



Light Bulb (100  
watt maximum or  
CFL equivalent)



Safety  
goggles



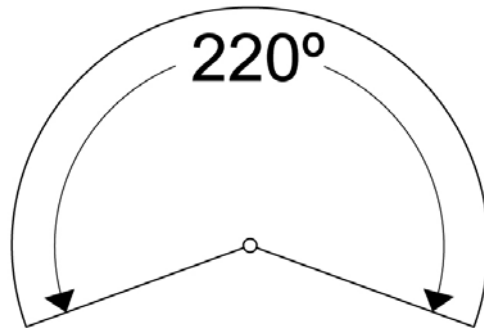
Electrical  
tape



Silicon Rubber  
Sealant  
for exterior use

## SELECTING AN INSTALLATION LOCATION:

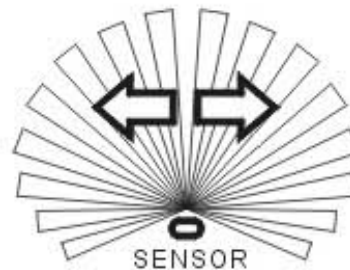
- When selecting a location, be aware of the motion sensor's maximum range of 30 ft and 220° detection angle.



- Select locations away from heat sources, such as heating vents, air conditioners, and heated swimming pools.
- When selecting a location, be aware that the motion sensor is more sensitive to movement across its coverage area and less sensitive to movement toward or away from the motion sensor.



Least Sensitivity



Best Sensitivity

- Select locations away from nighttime light sources, such as street lamps or other light fixtures. They may shine light onto photocell sensor (located at the bottom of the back plate, between the two switches). This light might cause the photocell sensor to “think” that it is daytime and not allow the light to turn on during the nighttime.
- Be aware that shade from a porch or an eave may not allow enough daylight to shine onto the photocell sensor and may cause it to “think” that it is nighttime, and subsequently cause the light to remain on during the daytime.

## PARTS INCLUDED FOR ASSEMBLY (parts are not to scale):



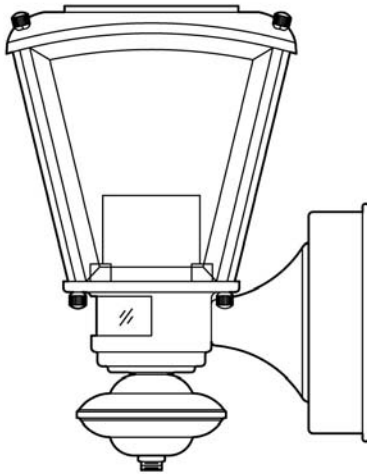
1 ea Hood  
(#2)



1 ea Nipple  
(Optional) (#20)



1 ea Tail  
(Optional)  
(#21)



1 ea Main Fixture  
Body (#1)



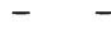
2 ea Hood  
Nuts (#18)



1 ea Fount  
(Optional)  
(#24)



Coupling (Optional) (#23)



2 ea Lock Washers (#19)

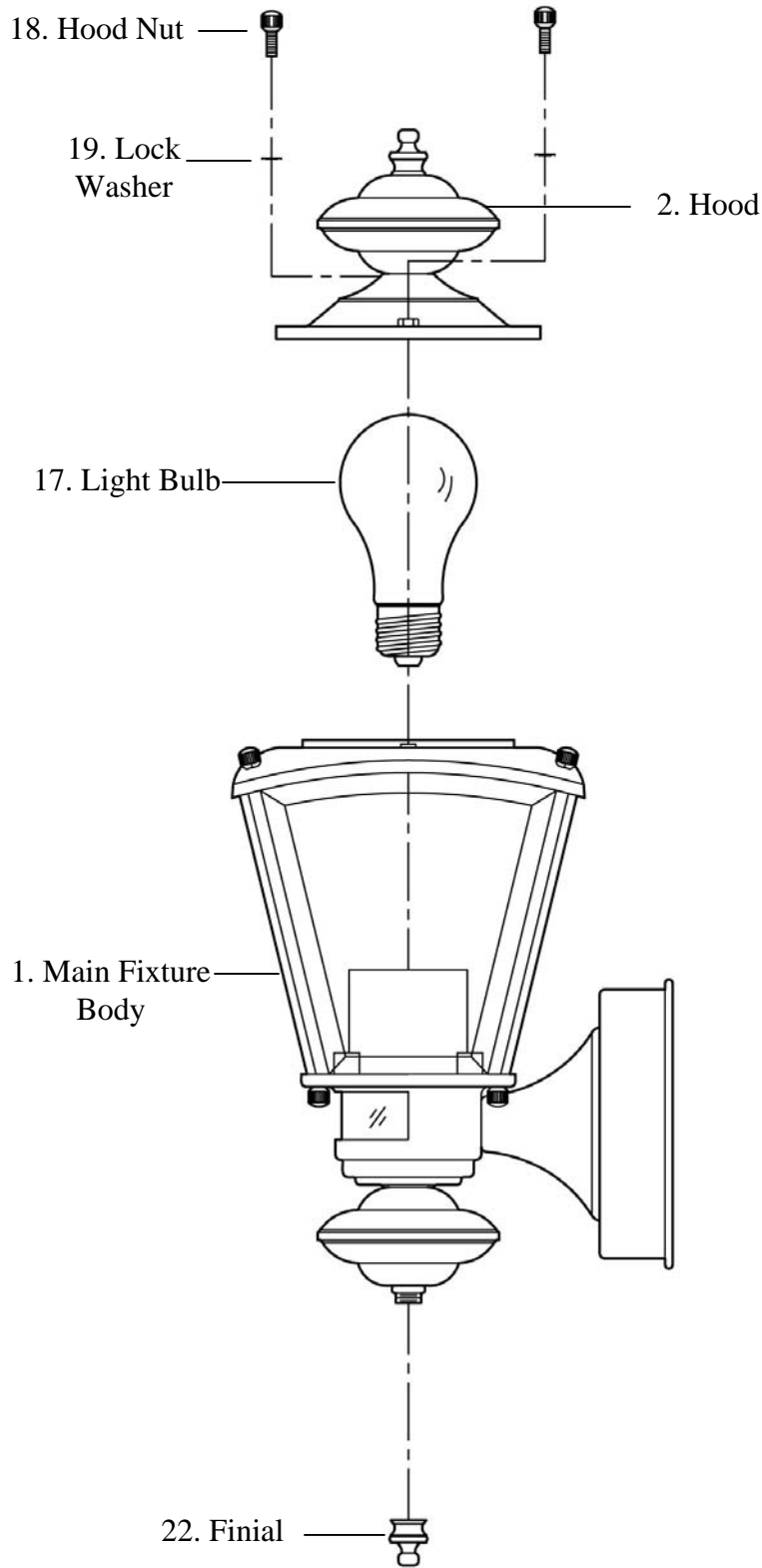


1 ea Finial (#22)

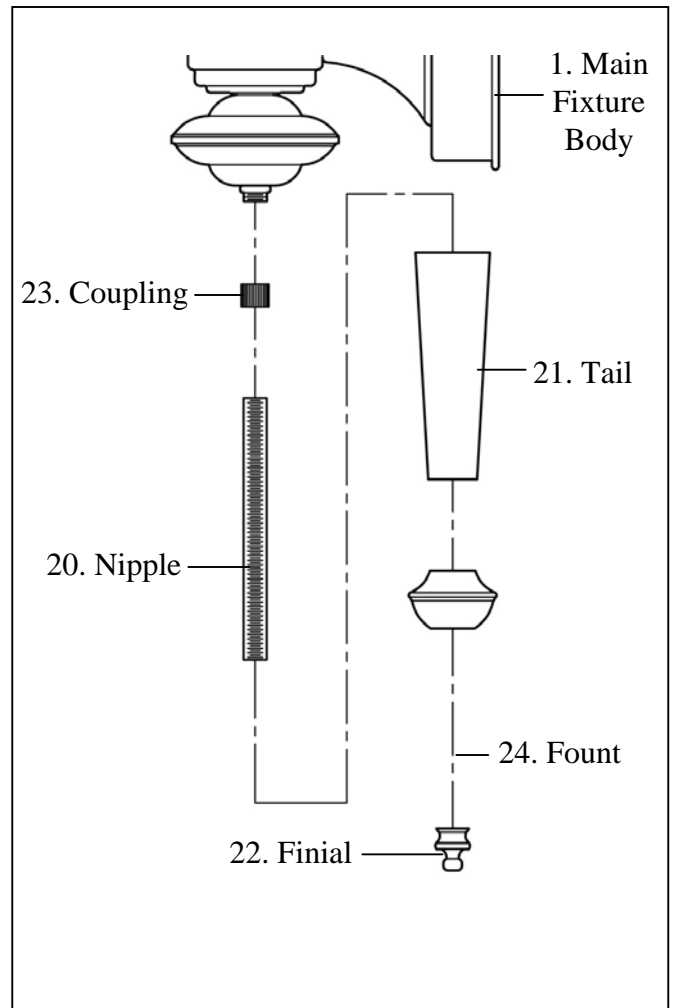
## ASSEMBLY INSTRUCTIONS:

1. Carefully unpack the fixture. Lay out all parts on a clean surface.
2. Install up to a 100 watt Light Bulb (#17) or a Listed SBCFL (Self-Ballasted Compact Fluorescent Lamp [not provided]) in the socket of the Main Fixture Body (#1). Do not exceed a 100 watt incandescent light bulb, or a 26 watt SBCFL.
3. Attach the Hood (#2) to the Main Fixture Body (#1) using the provided Hood Screws (#18) and Lock Washers (#19).
4. Thread the Finial (#22) onto the bottom of the Main Fixture Body (#1).
4. **OPTIONAL TAIL ASSEMBLY** - Thread the Coupling (#23) onto the bottom of the Main Fixture Body (#1). Thread the Nipple (#20) onto the Coupling (#23). Slide the Tail (#21) and the Fount (#24) over the Nipple (#20) and secure them in place by threading the Finial (#22) to the bottom of the Nipple (#20).

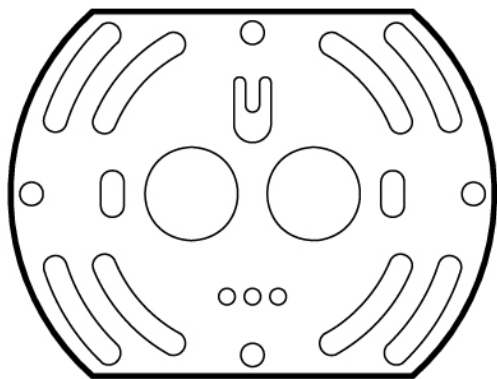
# ASSEMBLY:



## OPTIONAL TAIL ASSEMBLY



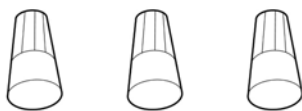
## PARTS INCLUDED FOR INSTALLATION (parts are not to scale):



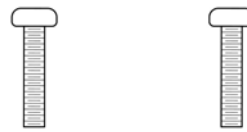
1 ea Mounting  
Bracket (#7)



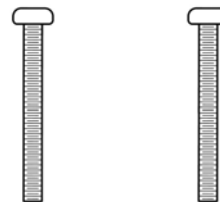
2 ea Hex  
Nuts (#9)



3 ea Wire  
Nuts (#14)



2 ea Bracket Mounting  
Screws (#8)



2 ea Fixture Mounting  
Screws (#6)

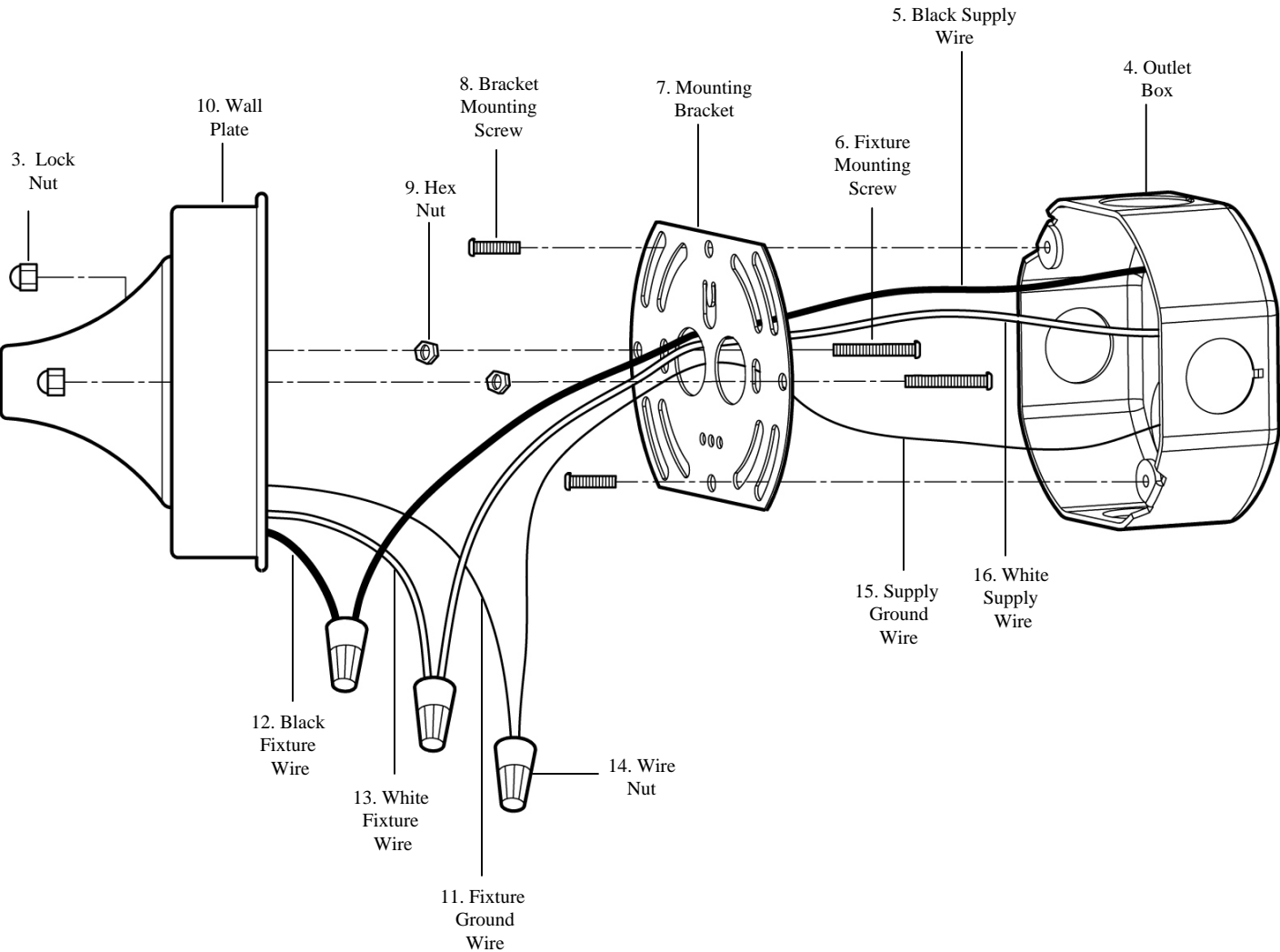


2 ea Lock  
Nuts (#3)

## INSTALLATION INSTRUCTIONS:

1. Thread the Fixture Mounting Screws (#6) into the provided holes of the Mounting Bracket (#7) as shown. Thread the Hex Nuts (#9) onto the Fixture Mounting Screws (#6), as shown. Do not tighten the Hex Nuts (#9) at this time.
2. Pull the power supply wires out from the Outlet Box (#4), and mount the Mounting Bracket (#7) to the Outlet Box (#4), using the Bracket Mounting Screws (#8).
3. Attach the Black Supply Wire (#5) to the Black Fixture Wire (#12) and the White Supply Wire (#16) to the White Fixture Wire (#13) using Wire Nuts (#14). Connect the Fixture Ground Wire (#11) and the Supply Ground Wire (#15) together using a Wire Nut (#14). Wrap all wire connections with electrical tape for a more secure connection. *Note: If you have electrical questions, consult your local electrical code for approved grounding methods.*
4. Place the Wall Plate (#10) over the Outlet Box (#4) and onto the Fixture Mounting Screws (#6), and adjust the Fixture Mounting Screws (#6) until they protrude out from the Wall Plate (#10) 1/4". Remove the Wall Plate (#10) and secure the position of the Fixture Mounting Screws (#6) by tightening the Hex Nuts (#9) against the Mounting Bracket (#7). Place the Wall Plate (#10) back onto the Fixture Mounting Screws (#6), and secure it into place using the Lock Nuts (#3) provided.
5. After installing the fixture, caulk the upper 2/3s of the Wall Plate (#10) to mounting surface. Leave the bottom 1/3 un-caulked for drainage of any water that might leak into the enclosure. The manufacturer recommends a non-drying exterior caulking material. A good example is a clear silicone rubber sealant for exterior use.
6. Installation is complete. Turn on power at the circuit breaker or fuse box. Turn the light switch on to activate the fixture.

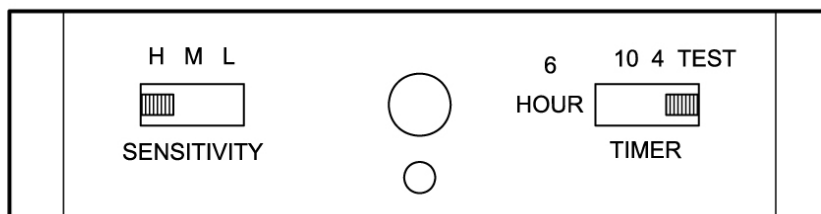
# INSTALLATION:





## OPERATION INSTRUCTIONS:

**GETTING STARTED:** After installing the fixture, slide the “TIMER” switch to “TEST”. Restore power at the circuit breaker and turn on your wall switch (if applicable). The light will turn on and remain on for approximately 45 seconds. Then the light will flash 3 times and then turn off. (Note: TEST mode allows you to conveniently set the motion sensor sensitivity. In TEST mode, the motion sensor will turn on the light when it senses movement. Four to five seconds after movement has stopped, the light will turn off.)



**SETTING MOTION SENSOR SENSITIVITY IN TEST MODE:** (Note: Sensitivity directly correlates to the sensor’s detection range.) In TEST mode, slide the “SENSITIVITY” switch to a desired level: “L” for low, “M” for medium, or “H” for high. From a distance, walk through the coverage area. When the sensor detects you and the light turns on, note your distance from the fixture. Move away from the fixture and wait 4 to 5 seconds for the light to turn off. Walk through the coverage area again, this time trying a different approach toward the fixture at different angle. Again, make note of your distance from the fixture when the light turns on. Repeat these steps, approaching the fixtures down different pathways. Especially, walk through pathways where you expect high traffic, such as walkways and driveways. After testing various pathways, decide to increase or decrease the detection range, or to keep it the same. To increase the detection range, slide the “SENSITIVITY” switch to the next highest level. To decrease the detection range, slide the “SENSITIVITY” switch to next lowest level. Repeat the steps above. Continue to adjust the sensitivity level until optimum results are attained.

**SELECTING FUNCTION:** After setting the sensitivity to the desired level, select the function by sliding to “TIMER” switch to one of the following positions:

"TIMER" Switch Position	Function	Description
4	Motion Sensor	At dusk, the motion sensor becomes active. Any movement within the coverage area will cause the light to turn on. After movement has stopped, the light will remain on for the preset time limit of 4 or 10 minutes, at which time the light will turn off. The motion sensor will remain active throughout the night. At dawn, the motion sensor will deactivate. The motion sensor will remain deactivated throughout the day. Movement will not cause the light to turn on.
10		
6 HOUR	Six Hour Timer	At dusk, the light will turn on and remain on for 6 hours. At this time, the light will turn off and the motion sensor becomes active. Any movement within the coverage area, will cause the light to turn on. After movement has stopped, the light will remain on for 10 minutes, at which time the light will turn off. The motion sensor will remain active through the rest of the night. At dawn, the motion sensor deactivates. The motion sensor will remain deactivated throughout the day. Movement will not cause the light to turn on.

## TROUBLESHOOTING:

<b>Problem</b>	<b>Possible Cause</b>	<b>Corrective Action</b>
The light never turn on.	1. Power is off.	1. Make sure wall switch and circuit
	2. Faulty switch.	2. Test or replace switch.
	3. Faulty wire connection.	3. Check wiring.
	4. Light bulb may be dead. Test light bulb in a working light fixture.	4. Replace light bulb
Fuse blows or circuit breaker trips when light is turned on.	1. Crossed wires or power wire is grounding out.	1. Check wire connections.
The light does not turn on at night.	Too much sunlight is shining onto photocell sensor in the early evening.	Relocate fixture away from a western facing wall.
	Too much light is shining onto photocell sensor due to another light source, such as a street lamp or other light fixture.	Eliminate or turn off other light source. OR Block other light source from shining onto photocell sensor. OR Relocate fixture.
In motion sensing mode, the light stays on continuously.	False triggering cause by a heat source, such as a heater or dryer vent, or heated swimming pool.	Eliminate heat source. OR Relocate fixture.
The light comes on for no apparent reason.	Street or sidewalk traffic is triggering the motion sensor.	Lower the sensitivity.
	False triggering cause by a heat source, such as a heater or dryer vent, or heated swimming pool.	Eliminate heat source. OR Relocate fixture.
The light comes on during the daytime or too early in the evening.	The fixture may be installed in a shaded area, such as under a porch or eave, preventing daylight from shining onto the photocell sensor.	Relocate fixture.
In the Six Hour Timer function, the light comes on too late in the evening.	Too much sunlight is shining onto the photcell sensor in the early evening.	Relocate fixture away from a western facing wall.
In the Six Hour Timer function, the light does not come on at night.	Too much light is shining onto the photcell sensor due to another light source, such as a street lamp or other light fixture. Cover the photocell sensor with black electrical tape, to verify that the light will turn on when there is enough darkness.	Eliminate or turn off other light source. OR Block other light source from shining onto photocell sensor. OR Relocate fixture.

## **PRODUCT MAINTENANCE:**

1. To clean the outside of the fixture, use a dry or slightly dampened clean cloth (use clean water, never a solvent) to wipe the surface of the fixture.
2. To clean the inside of the fixture, first disconnect power to the fixture by turning off the circuit breaker or by removing the fuse at the fuse box. Next, use a dry or slightly dampened clean cloth (use clean water, never a solvent) to wipe the interior surface of the fixture.
3. Do not use any cleaners with chemicals, solvents or harsh abrasives. Use only a dry soft cloth to dust or wipe carefully.

## **LIMITED WARRANTY**

The manufacturer warrants this lighting fixture to be free from defects in materials and workmanship for a period of three (3) years from date of purchase. This warranty applies only to the original consumer purchaser and only to products used in normal use and service. If this product is found to be defective, the manufacturer's only obligation, and your exclusive remedy, is the repair or replacement of the product at the manufacturer's discretion, provided that the product has not been damaged through misuse, abuse, accident, modifications, alterations, neglect or mishandling. This warranty shall not apply to any product that is found to have been improperly installed, set-up, or used in any way not in accordance with the instructions supplied with the product. This warranty shall not apply to a failure of the product as a result of an accident, misuse, abuse, negligence, alteration, or faulty installation, or any other failure not relating to faulty material or workmanship. This warranty shall not apply to the finish on any portion of the product, such as surface and/or weathering, as this is considered normal wear and tear. **The manufacturer does not warrant and specially disclaims any warranty, whether expressed or implied, of fitness for a particular purpose, other than the warranty contained herein. The manufacturer specifically disclaims any liability and shall not be liable for any consequential or incidental loss or damage, including but not limited to any labor/expense costs involved in the replacement or repair of said product.**

## **DISCLAIMER**

NOTE: This equipment has been tested and found to comply with the limits for a Class B digital device, pursuant to Part 15 of the FCC Rules. These limits are designed to provide reasonable protection against harmful interference in a residential installation. This equipment generates, uses and can radiate radio frequency energy and, if not installed and used in accordance with the instructions, may cause harmful interference to radio communications. However, there is no guarantee that interference will not occur in a particular installation. If this equipment does cause harmful interference to radio or television reception, which can be determined by turning the equipment off and on, the user is encouraged to try to correct the interference by one or more of the following measures:

- Reorient or relocate the receiver antenna.
- Increase the separation between the equipment and receiver.
- Install the product onto on a circuit different from that to which the receiver is connected.
- Consult with the dealer or an experienced radio/TV technician for help.

CAUTION: Any changes made to the electronics circuit will void this equipment's compliance with Part 15 of the FCC Rules and should not be operated.



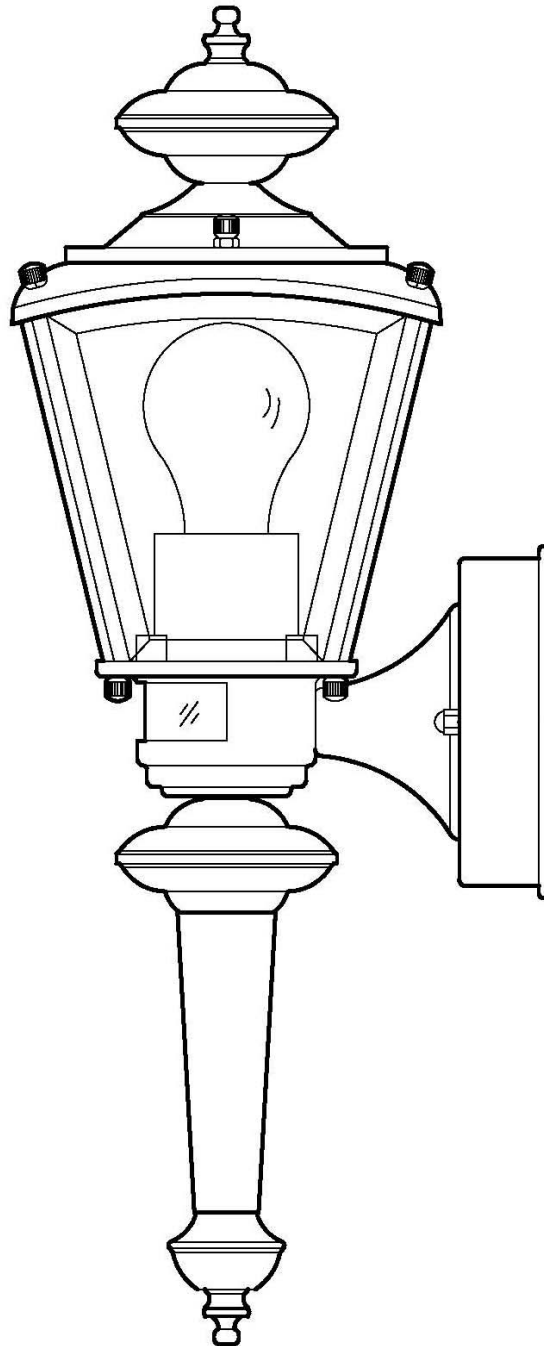


# MANUAL DE INSTRUCCIONES

FAROL DE PARED PARA EXTERIORES CON SENSOR DE MOVIMIENTO Y CRONÓMETRO DE SEIS HORAS



HOME DEPOT SKU# 248-523 (UPC# 046335904293)



Gracias por comprar este farol de pared para exteriores de Hampton Bay. Este producto ha sido fabricado con los estándares de calidad más altos de seguridad y calidad. El acabado de este farol es resistente al clima, pero con el tiempo se desgastará y decolorará de manera natural. Este luminario está equipado con funciones de sensor de movimiento y cronómetro de seis horas, lo que provee comodidad y seguridad contra elementos criminales no deseados.

## **CARACTERÍSTICAS:**

1. Fácil de instalar.
2. Atractivo Acabado en Color Negro y Vidrio Biselado Transparente.
3. **FUNCIÓN DE SENSOR DE MOVIMIENTO** – Al anoecer el sensor se activará y encenderá la luz automáticamente cuando se detecten fuentes de calor en movimiento (como gente o vehículos) dentro de su área de cobertura. El sensor de movimiento permanecerá activo durante la noche y se desactivará al amanecer. El sensor de movimiento tiene un rango de detección de hasta 30 pies y un ángulo de detección de 180°.
4. **FUNCIÓN DE CRONÓMETRO DE SEIS HORAS** – Al anoecer la luz se encenderá de manera automática. Después de seis horas la luz se apagará y el sensor de movimiento se activará. El sensor de movimiento permanecerá activo durante la noche y se desactivará al amanecer.
5. **ENCENDIDO/APAGADO MANUAL** – El usuario puede encender/apagar la luz manualmente desde el interior de la casa con el interruptor de pared.
6. Con fines de ahorro de energía, este luminario ha sido diseñado para usar un foco fluorescente compacto con balasto integrado en lugar de un foco incandescente.
7. Calificado por ENERGY STAR®.

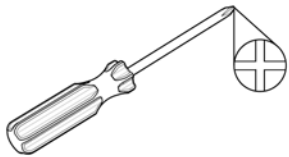
## **PREGUNTAS, PROBLEMAS, PARTES FALTANTES:**

Antes de regresar a su Home Depot, llame a nuestro Equipo de Servicio al Cliente al 1-877-527-0313 o visite [www.homedepot.com](http://www.homedepot.com). Dé como referencia su SKU (248-523) o UPC (046335904293).

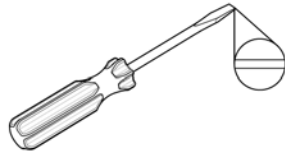
## PRECAUCIÓN:

1. Antes de iniciar la instalación de este luminario o la remoción de un luminario anterior, desconecte la energía eléctrica al apagar el disyuntor de circuitos o al quitar el fusible en la caja de fusibles.
2. El sensor de movimiento no tiene partes en su interior a las que el usuario pueda dar servicio. NO intente reparar o desarmar la unidad. Hacerlo puede dañar la unidad y causar una posible descarga eléctrica. Consulte a un electricista calificado si es necesario.
3. CONSULTE A UN ELECTRICISTA CALIFICADO SI TIENE DUDAS CON LAS CONEXIONES ELÉCTRICAS. Si tiene preguntas acerca de este luminario, que no estén relacionadas con las conexiones eléctricas, llame a nuestro Equipo de Servicio al Cliente al 1-877-527-0313 o visite [www.homedepot.com](http://www.homedepot.com). Dé como referencia su SKU (248-523) o UPC (046335904293).
4. CONSERVE su recibo y estas Instrucciones como comprobante de compra.

## HERRAMIENTAS REQUERIDAS PARA LA INSTALACIÓN Y EL ENSAMBLAJE (no incluidas):



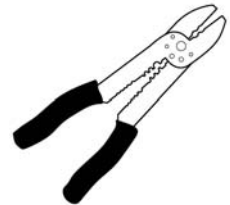
Desarmador  
Phillips



Desarmador de  
punta plana



Pinzas para  
cables



Pelacables



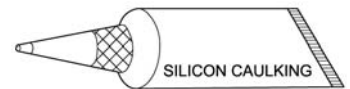
Foco ((100 vatios  
máximo o CFL  
equivalente))



Gafas de  
seguridad



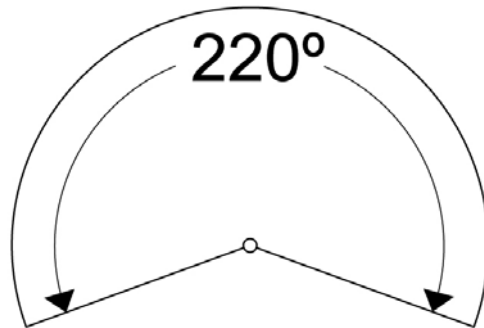
Cinta de  
aislar



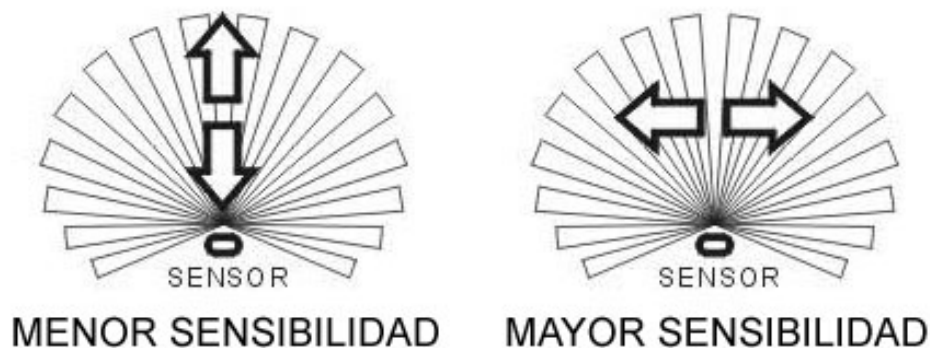
Sellador de silicón  
para uso exterior

## SELECCIONE EL LUGAR PARA LA INSTALACIÓN:

- Cuando elija un lugar, tenga en mente el rango máximo del sensor de movimiento de 30 pies y el ángulo de detección de 220°.



- Elija un lugar lejos de fuentes de calor, como ventilaciones de calefacción, aires acondicionados y piscinas con caldera.
- Cuando elija un lugar, tenga en mente que el sensor de movimiento es más sensible al movimiento a lo largo de su área de cobertura y menos sensible al movimiento hacia o lejos del sensor de movimiento.



- Elija lugares lejos de fuentes de luz nocturna, como faroles públicos u otros luminarios, ya que pueden brillar en el sensor de la fotocelda (ubicado en la base de la placa trasera, entre los dos interruptores). Esto puede causar que el sensor de la fotocelda “piense” que es de día y no permitirá que la luz se encienda durante la noche.
- Tenga en mente que la sombra de un pórtico o tejado no permita que luz suficiente llegue al sensor de la fotocelda y cause que “piense” que es de noche y, de manera subsecuente, que la luz permanezca encendida durante el día.



## PARTES INCLUIDAS PARA EL ENSAMBLAJE (las partes no se muestran a escala):



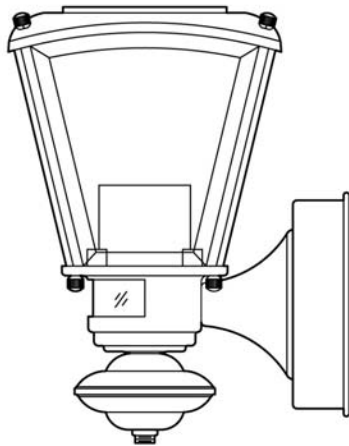
1 Cubierta  
(#2)



1 Boquilla (Opcional)  
(#20)



1 Cola  
(opcional)  
(#21)



1 Cuerpo principal  
del luminario (#1)



2 Tuercas para  
la cubierta  
(#18)



1 Rótula  
(Opcional)  
(#24)



Acoplador  
(Opcional) (#23)



2 Rondanas de  
fijación (#19)

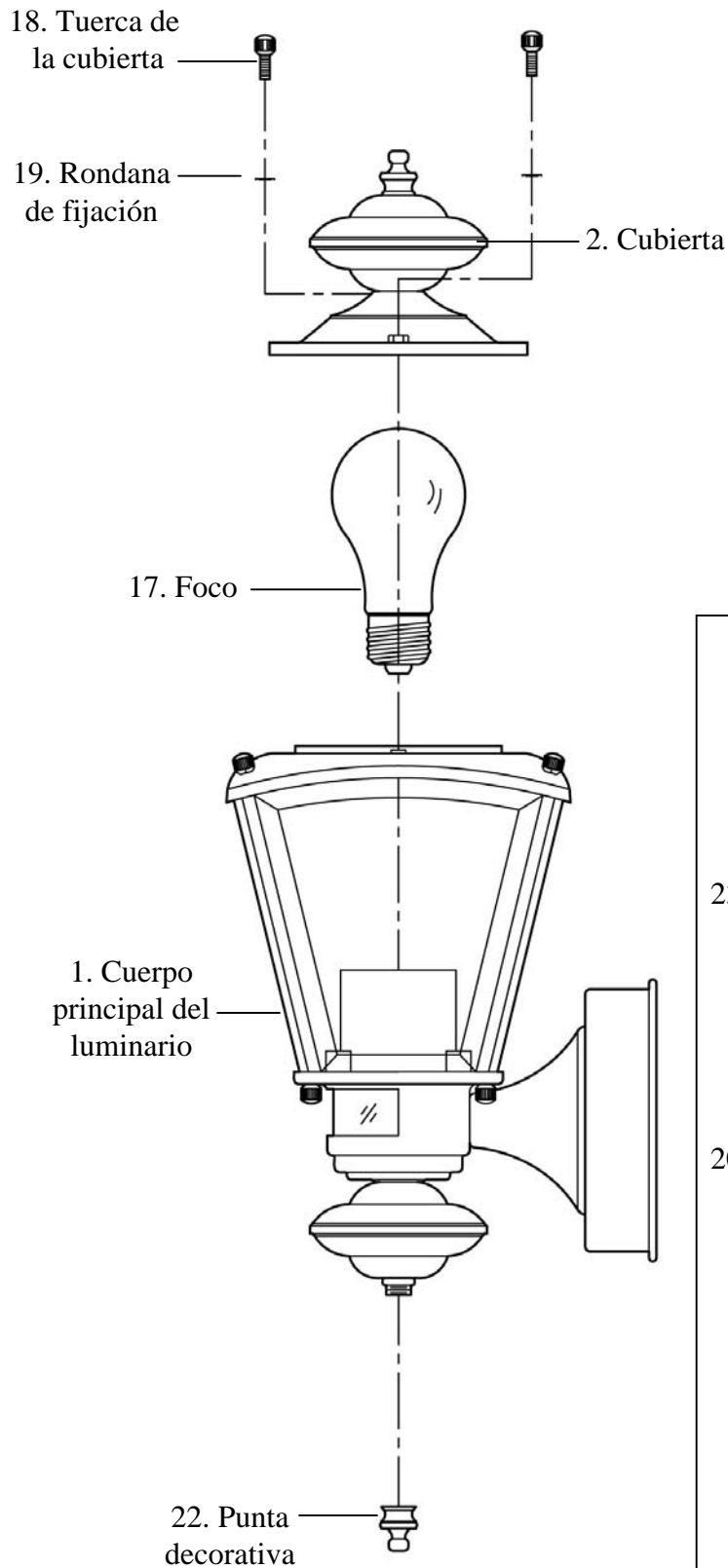


1 Punta decorativa  
(#22)

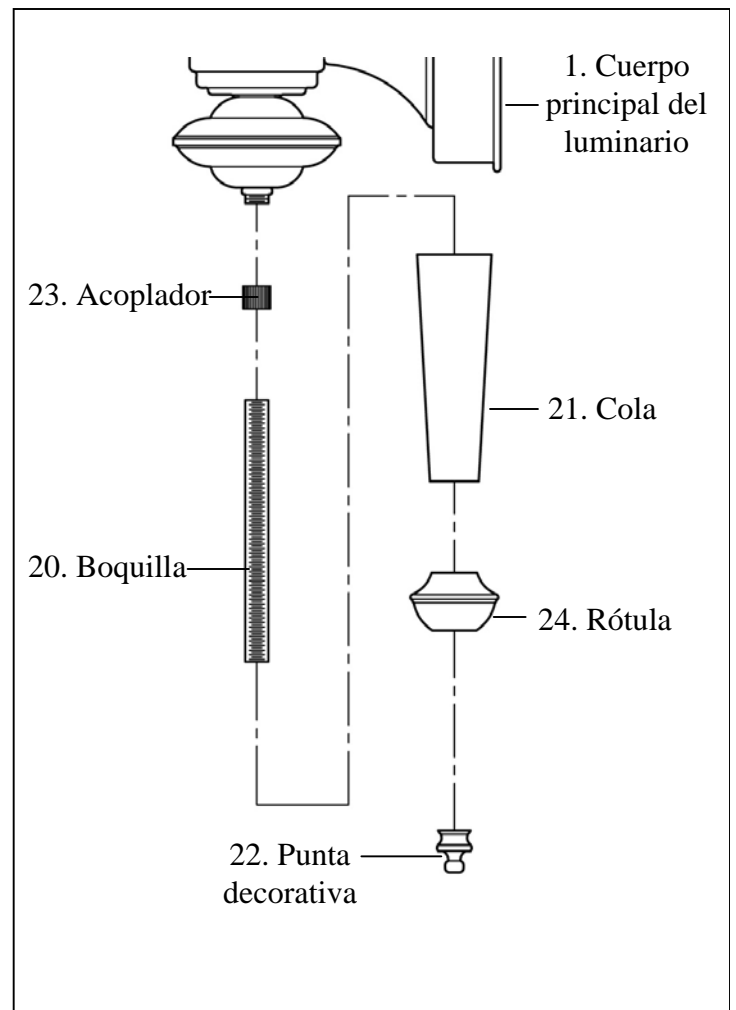
## INSTRUCCIONES DE ENSAMBLAJE:

1. Desempaque el luminario con cuidado. Coloque todas las superficies sobre una superficie limpia.
2. Instale un foco de hasta 100 vatios (#17) o un Foco Fluorescente Compacto con Balasto Integrado [no incluido] en el portafocos del cuerpo principal del luminario (#1). No exceda de un foco incandescente de 100 vatios o un foco fluorescente compacto con balasto integrado de 26 vatios.
3. Coloque la cubierta (#2) en el cuerpo principal del luminario (#1) utilizando los tornillos para la cubierta (#18) y las rondanas de fijación (#19) que se incluyen.
4. Enrosque la punta decorativa (#22) en la parte inferior del cuerpo principal del luminario (#1).
4. **ENSAMBLAJE DE LA COLA OPCIONAL** – Enrosque el acoplador (#23) en la parte inferior del cuerpo principal del luminario (#1). Enrosque la boquilla (#20) en el acoplador (#23). Deslice la cola (#21) y la rótula (#24) sobre la boquilla (#20) y asegúrelas al enrosocar la punta decorativa (#22) en la parte inferior de la boquilla (#20).

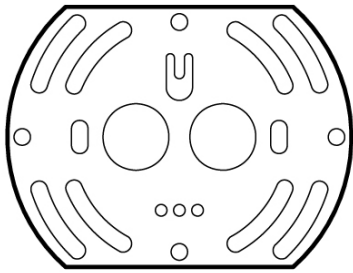
# ENSAMBLAJE:



## ENSAMBLAJE DE LA COLA OPCIONAL



## PARTES INCLUIDAS PARA LA INSTALACIÓN (las partes no se muestran a escala):



1 Ménsula de montaje (#7)



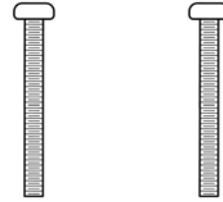
2 Tuercas hexagonales (#9)



3 Tuercas para cables (#14)



2 Tornillos para montar la ménsula (#8)



2 Tornillos para montar el luminario (#6)

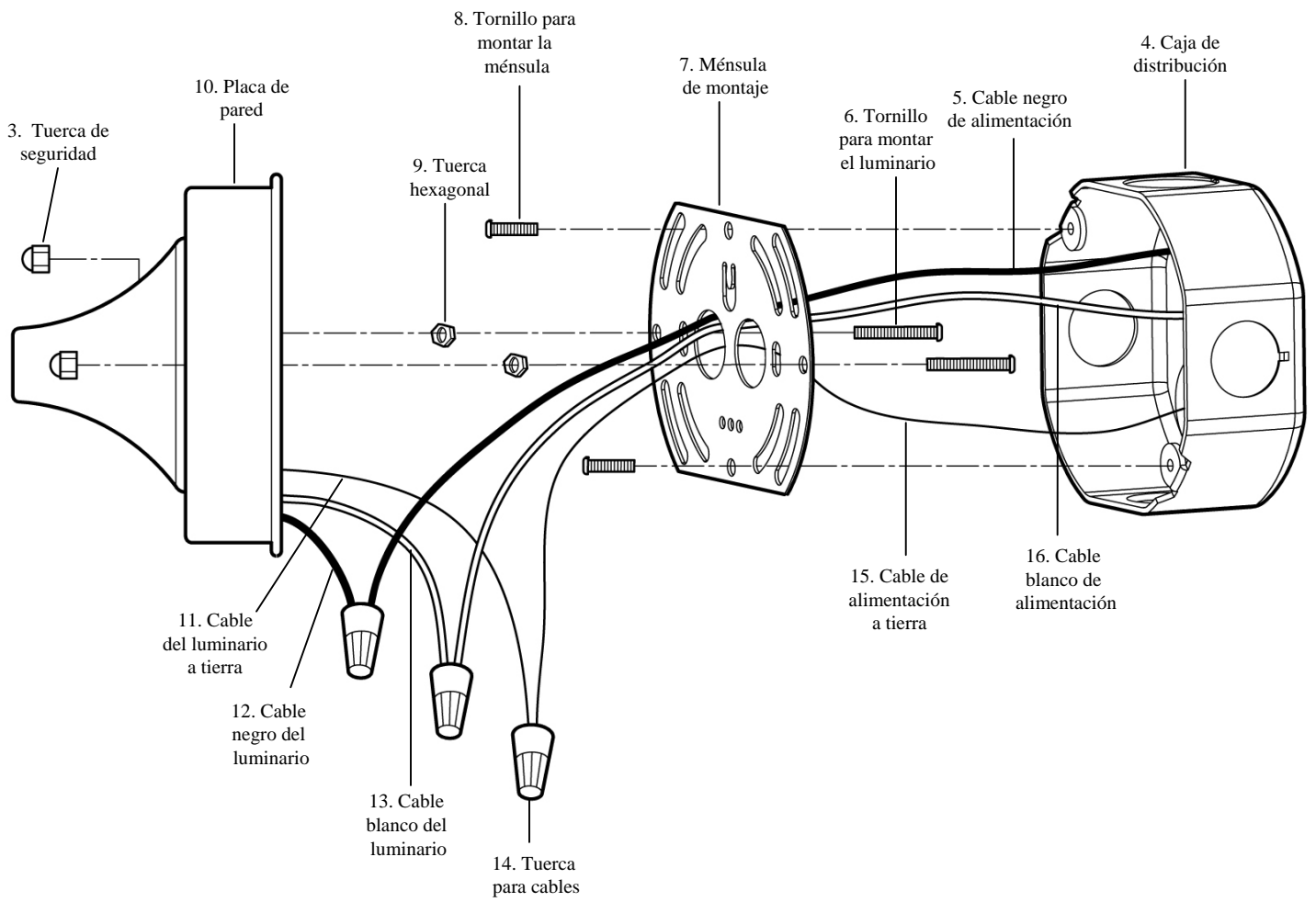


2 Tuercas de seguridad (#3)

## INSTRUCCIONES DE INSTALACIÓN:

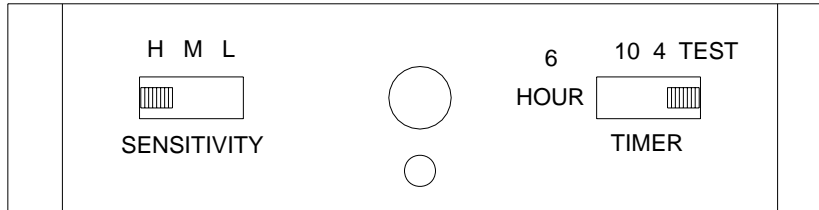
1. Enrosque los tornillos para montar el luminario (#6) en los agujeros provistos en la ménsula de montaje (#7), como se muestra. Enrosque las tuercas hexagonales (#9) en los tornillos para montar el luminario (#6), como se muestra. No apriete las tuercas hexagonales (#9) en este momento.
2. Saque los cables de alimentación de la caja de distribución (#4) y monte la ménsula de montaje (#7) sobre la caja de distribución (#4), utilizando los tornillos para montar la ménsula (#8).
3. Conecte el cable negro de alimentación (#5) con el cable negro del luminario (#12) y el cable blanco de alimentación (#16) con el cable blanco del luminario (#13), utilizando las tuercas para cables (#14). Conecte el cable del luminario a tierra (#11) con el cable de alimentación a tierra (#15), utilizando una tuerca para cables (#14). Envuelva todas las conexiones de los cables con cinta de aislar para una conexión más segura. *Nota: Si tiene dudas con las conexiones eléctricas, consulte el código eléctrico de su localidad para los métodos aprobados para las conexiones a tierra.*
4. Coloque la placa de pared (#10) sobre la caja de distribución (#4) y en los tornillos para montar el luminario (#6) y ajuste los tornillos para montar el luminario (#6) hasta que sobresalgan 1/4" de la placa de pared (#10). Quite la placa de pared (#10) y asegure la posición de los tornillos para montar el luminario (#6) al apretar las tuercas hexagonales (#9) contra la ménsula de montaje (#7). Coloque la placa de pared (#10) otra vez sobre los tornillos para montar el luminario (#6) y asegúrela con las tuercas de seguridad (#3) que se incluyen.
5. Después de haber instalado el luminario, calafatee las 2/3 partes superiores de la placa de pared (#12) en la superficie de montaje. Deje la 1/3 parte inferior sin calafatear para el drenaje del agua que se pueda filtrar en la carcasa. El fabricante recomienda un material que no se seque para exteriores. Un buen ejemplo es un sellador de silicón para uso en exteriores.
6. La instalación ha terminado. Encienda la energía eléctrica en el disyuntor de circuitos o la caja de fusibles. Encienda el interruptor para activar el luminario.

# INSTALACIÓN:



# INSTRUCCIONES DE OPERACIÓN:

**INICIO:** Después de instala el luminario, deslice el interruptor del Cronómetro (TIMER) a la posición de Prueba (TEST). Reanude la energía desde el disyuntor de circuitos y encienda el interruptor de pared (si aplica). La luz se encenderá y permanecerá encendida por 45 segundos aprox. Después, la luz parpadeará 3 veces y se apagará. (Nota: El modo de Prueba le permite configurar de manera conveniente la sensibilidad del sensor de movimiento. La luz se apagará cuatro a cinco segundos después de que se ha detenido el movimiento).



## CONFIGURACIÓN DE LA SENSIBILIDAD DEL SENSOR DE MOVIMIENTO EN EL MODO DE PRUEBA:

(Nota: La sensibilidad se relaciona directamente con el rango de detección del sensor). El en el modo de PRUEBA, cambie el interruptor de “SENSIBILIDAD” al nivel deseado: “L” para bajo, “M” para medio o “H” para alto. Desde cierta distancia, camine por el área de cobertura. Cuando el sensor detecte su presencia y la luz se encienda, observe la distancia desde el luminario. Aléjese del luminario y espere 4 a 5 segundos par que la luz se apague. Camine por él área de cobertura otra vez, en esta ocasión con un acercamiento diferente hacia el luminario en un ángulo diferente. Una vez más, observe su distancia desde el luminario cuando la luz se encienda. Repita estos pasos, acercándose al luminario desde diferentes direcciones. Especialmente, camine por trayectorias donde espera que haya mucho tráfico, como aceras o caminos privados. Después de probar diferentes trayectorias, decida incrementar o disminuir el rango o conservar el mismo. Para incrementar el rango de detección, cambie el interruptor de “SENSIBILIDAD” al siguiente nivel más alto. Para disminuir el rango de detección, cambie el interruptor de “SENSIBILIDAD” al siguiente nivel más bajo. Repita los pasos anteriores. Continúe ajustando la sensibilidad hasta obtener los resultados óptimos.

**SELECCIÓN DE LA FUNCIÓN:** Después de configurar la sensibilidad en el nivel deseado, seleccione la función al cambiar el interruptor de “CRONÓMETRO” a una de las siguietnes posiciones:

Posición del interruptor de "Cronómetro"	Función	Descripción
4	Motion Sensor	Al anochecer se activará el sensor de movimiento. Cualquier movimiento dentro del área de cobertura causará que la luz se encienda. Después de que el movimiento se haya detenido, la luz permanecerá encendida hasta el límite de tiempo preestablecido de 4 a 10 minutos, tiempo en el que la luz se apagará. El sensor de movimiento permanecerá activo durante la noche. El sensor de movimiento se desactivará al amanecer. El sensor de movimiento parmanecerá desactivado durante el día. El movimiento no causará que la luz se encienda.
10		
6 HORAS	Cronómetro de seis horas	La luz se encenderá al anochecer y permanecerá encendida por 6 horas. Después de este tiempo la luz se apagará y el sensor de movimiento se activará.. Cualquier movimiento dentro del área de cobertura causará que la luz se encienda y permanezca así por 10 minutos, tiempo al que la luz se apagará. El sensor de movimiento permanecerá activo durante el resto de la noche. El sensor de movimiento se desactivará al amanecer. El sensor de movimiento permanecerá desactivado durante el día. El movimiento no causará que la luz se encienda.

## SOLUCIÓN DE PROBLEMAS:

Problema	Causa posible	Acción correctiva
La luz no enciende nunca.	1. La energía está apagada.	1. Asegúrese de que el interruptor de
	2. Hay una falla en el interruptor.	2. Pruebe o cambie el interruptor.
	3. Hay una falla en la conexión de cables.	3. Verifique las conexiones de los cables.
	4. El foco puede estar fundido. Pruebe el foco en un luminario que funcione.	4. Cambie el foco.
El fusible se quema o el disyuntor de circuitos se dispara	1. Los cables están cruzados o el cable a tierra no está haciendo tierra.	1. Verifique las conexiones de los cables.
La luz no enciende en la noche.	Está llegando demasiada luz al sensor de la fotocelda temprano por la tarde.	Reubique el luminario, lejos de una pared de cara al oeste.
	Está llegando demasiada luz en el sensor de la fotocelda debido a otra fuente de luz, como un farol público u otro luminario.	Elimine o apague la otra fuente de luz. O Bloquee la otra fuente de luz para que no llegue la luz al sensor de la fotocelda. O Reubique el luminario.
En el modo de sensor de movimiento, la luz permanece encendida de manera continua.	Activación falsa causada por una fuente de calor, como un calentador, ventilación de secadora o piscina con caldera.	Elimine la fuente de calor. O Reubique el luminario.
La luz se enciende sin razón aparente.	El tráfico de la calle o la acera está activando el sensor de movimiento.	Baje la sensibilidad.
	Activación falsa causada por una fuente de calor, como un calentador, ventilación de secadora o piscina con caldera.	Elimine la fuente de calor. O Reubique el luminario.
La luz se enciende durante el día o demasiado temprano por la tarde.	El luminario puede ser instalado en un área con sombra, bajo un pórtico o tejado, evitando que la luz llegue al sensor de la fotocelda.	Relocate fixture.
En la función del cronómetro de seis horas, la luz se enciende demasiado tarde en la tarde.	Está llegando demasiada luz al sensor de la fotocelda temprano por la tarde.	Reubique el luminario lejos de una pared de cara al oeste.
En la función del cronómetro de seis horas, la luz no se enciende en la noche.	Demasiada luz está llegando al sensor de la fotocelda debido a otra fuente de luz, como un farol público u otro luminario. Cubra el sensor de la fotocelda con cinta de aislar negra para verificar de que la luz enciende cuando hay suficiente oscuridad.	Elimine o apague la otra fuente de luz. O Bloquee la otra fuente de luz para que no llegue la luz al sensor de la fotocelda. O Reubique el luminario.

## **MANTENIMIENTO DEL PRODUCTO:**

1. Para limpiar el exterior del luminario, use un paño limpio seco o ligeramente humedecido (use agua limpia, nunca un solvente).
2. Para limpiar el interior del luminario, primero suspenda la energía eléctrica al apagar el disyuntor de circuitos o quitar el fusible en la caja de fusibles. Después, use un paño seco o ligeramente humedecido (use agua limpia, nunca un solvente) para limpiar la superficie interior del luminario.
3. No use limpiadores con químicos, solventes o abrasivos fuertes. Use sólo un trapo seco para sacudir o limpiar con cuidado.

## **GARANTÍA LIMITADA**

El fabricante garantiza que este luminario estará libre de defectos en sus materiales y mano de obra por un periodo de 3 (tres) años a partir de la fecha de compra. Esta garantía aplica únicamente al comprador original y a productos bajo uso y servicio normal. Si se encuentra que este producto está defectuoso, la única obligación del fabricante, y el único recurso que usted tiene, es la reparación o cambio del producto, a la sola discreción del fabricante, provisto que el producto no haya sido dañado de alguna manera por medio de mal uso, abuso, accidente, modificaciones, alteraciones, negligencia o mal manejo. Esta garantía no aplicará a un producto que se encuentre que haya sido instalado, configurado o usado incorrectamente, en desacuerdo con las instrucciones provistas con el producto. Esta garantía no aplicará a una falla del producto como resultado de un accidente, mal uso, abuso, negligencia, alteración, mala instalación u otra falla que no esté relacionada con material o mano de obra defectuosos. Esta garantía no aplicará al acabado de alguna parte del producto, como la superficie y/o desgaste, ya que se consideran uso y desgaste normales. **El fabricante no garantiza y especialmente renuncia a cualquier garantía, ya sea expresa o implícita, de adaptación para un fin en particular, que no sea la garantía contenida aquí. El fabricante renuncia específicamente a cualquier responsabilidad y no será responsable de pérdidas o daños consecuenciales o incidentales, incluyendo de manera enunciativa, pero no limitativa, costos de mano de obra/gastos relacionados en el cambio o reparación de dicho producto.**

## **RENUNCIA**

NOTA: Este equipo ha sido probado y se ha encontrado que cumple con los límites para un dispositivo digital de la Clase B de conformidad con la Parte 15 de las Reglas de la FCC. Estos límites están diseñados para proveer protección razonable contra interferencia dañina en una instalación residencial. Este equipo genera, usa y puede emitir energía de frecuencia de radio y, si no es instalado y usado de acuerdo con las instrucciones, puede causar interferencia dañina a las comunicaciones de radio. Sin embargo, no existe garantía de que no ocurrirá interferencia en una instalación en particular. Si este equipo causa interferencia dañina a la recepción de radio o televisión, la cual se puede determinar al apagar y encender el equipo, pedimos al usuario que intente corregir la interferencia por medio de una o más de las siguientes medidas:

- Reorientar o reubicar la antena receptora.
- Incrementar la separación entre el equipo y el receptor.
- Conectar el equipo a un enchufe que se encuentre dentro de un circuito diferente a donde está conectado el receptor.
- Consultar a su distribuidor o un técnico de radio/TV especializado para obtener ayuda.

**PRECAUCIÓN:** Cualquier cambio hecho al circuito electrónico anulará el cumplimiento de este equipo con la Parte 15 de las Reglas de la FCC y no debe ser operado.





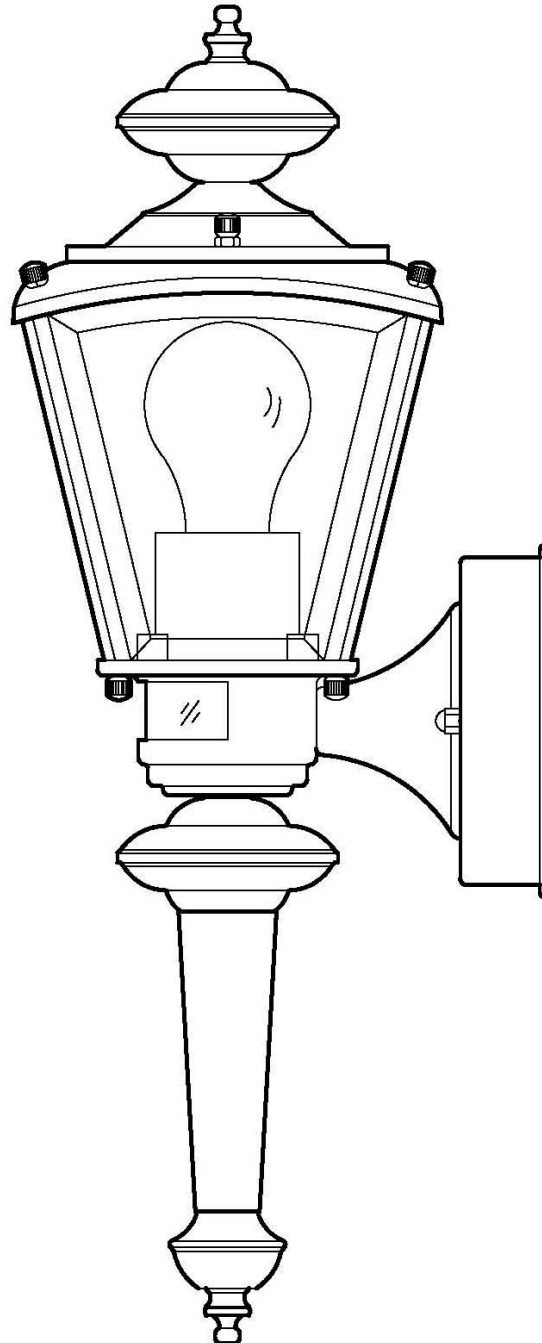


# INSTRUCTIONS

## LANTERNE MURALE D'EXTÉRIEUR AVEC DÉTECTEUR DE MOUVEMENTS ET MINUTERIE DE 6 HEURES



HOME DEPOT UGS N° 248-523 (CUP N° 046335904293)



Merci d'avoir acheté cette lanterne murale d'extérieur Hampton Bay. Cet article a été fabriqué selon les normes de sécurité et de qualité les plus rigoureuses. Le fini de la lanterne résiste aux intempéries, mais son lustre s'atténuera naturellement avec le temps. Cette lanterne comporte un détecteur de mouvements et une minuterie de six heures pour une protection accrue contre le crime.

## **CARACTÉRISTIQUES :**

1. Facile à installer.
2. Fini noir et verre biseauté transparent.
3. DÉTECTION DE MOUVEMENTS – À la tombée du jour, le détecteur de mouvements entre en fonction et allume automatiquement le luminaire lorsqu'il détecte des sources de chaleur en mouvement (telles une personne ou une automobile) dans sa zone de couverture. Le détecteur de mouvements fonctionne toute la nuit et s'éteint à la levée du jour. Le champ de détection maximal du détecteur de mouvements est de 9,14 m et son angle de détection est de 180°.
4. MINUTERIE DE SIX HEURES – À la tombée du jour, le luminaire s'allume automatiquement. Après une période d'éclairage de 6 heures, la lumière s'éteint et le détecteur de mouvement entre en fonction. Le détecteur de mouvements fonctionne toute la nuit et s'éteint à la levée du jour.
5. MODE DE SURPASSEMENT MANUEL – L'utilisateur peut allumer le luminaire manuellement à l'aide d'un interrupteur mural situé à l'intérieur de sa résidence.
6. Aux fins d'économie d'énergie, ce luminaire a été conçu de manière à pouvoir utiliser, en toute sécurité, une lampe fluorescente compacte (LFC) à ballast intégré en remplacement d'une lampe à incandescence.
7. Homologué ENERGY STAR®.

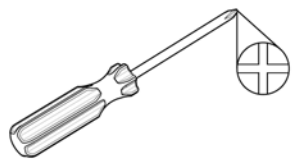
## **QUESTIONS, PROBLÈMES, PIÈCES MANQUANTES :**

Avant de retourner l'article à votre magasin Home Depot, veuillez communiquer avec le service à la clientèle au 1-877-527-0313 ou visitez le [www.homedepot.com](http://www.homedepot.com). Veuillez fournir le numéro de l'article (248-523) ou le CUP (046335904293) à titre de référence.

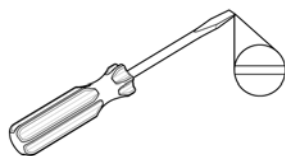
## MISE EN GARDE :

1. Avant de commencer à installer ce luminaire ou à enlever l'ancien luminaire, coupez le courant au niveau du disjoncteur ou retirez le fusible de la boîte de fusible.
2. Il n'y a aucune pièce à remplacer dans le détecteur de mouvement. **N'ESSAYEZ PAS** de réparer ou de démonter l'appareil puisque vous risquez de l'endommager ou de subir une décharge électrique. Au besoin, consultez un électricien qualifié.
3. **CONSULTEZ UN ÉLECTRICIEN CERTIFIÉ SI VOUS AVEZ DES QUESTIONS CONCERNANT L'INSTALLATION ÉLECTRIQUE.** Si vous avez des questions autres que celles concernant l'installation électrique, veuillez communiquer avec notre équipe du service à la clientèle au 1-877-527-0313 ou visitez le [www.homedepot.com](http://www.homedepot.com). Vous devez fournir le numéro d'UGS (248-523) ou le CUP (046335904293) à titre de référence.
4. **CONSERVEZ** votre reçu de caisse et ces instructions comme preuve d'achat.

## OUTILS NÉCESSAIRES POUR L'ASSEMBLAGE ET L'INSTALLATION (non compris) :



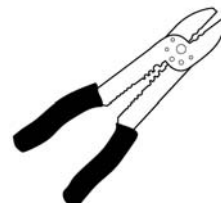
Tournevis  
Phillips



Tournevis à  
tête plate



Coupe-fils



Pince à  
dénuder



Ampoule (100 watts  
maximum ou lampe  
fluocompacte  
équivalente)



Lunettes de  
sécurité



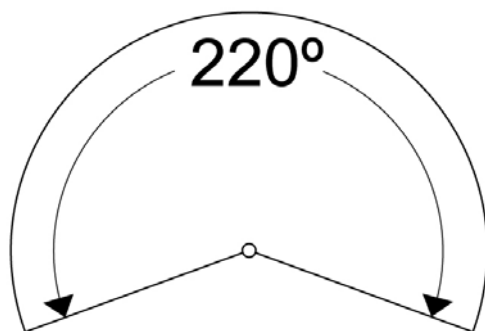
Ruban  
isolant



Scellant de silicone  
pour l'extérieur

## CHOIX DE L'EMPLACEMENT :

- Lorsque vous choisissez l'emplacement, vous devez tenir compte du champ de détection maximal de 9,14 m et de l'angle de détection de 220° du détecteur de mouvements.



- Choisissez un emplacement éloigné des sources de chaleur, tels un évier de conduit de chauffage, un climatiseur ou une piscine chauffée.
- Lorsque vous choisissez l'emplacement, n'oubliez pas que le capteur de mouvements détecte plus facilement les déplacements en travers de son champ plutôt que ceux qui s'approchent ou s'éloignent de lui.



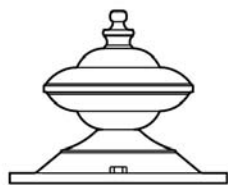
SENSIBILITÉ LA PLUS FAIBLE



SENSIBILITÉ LA PLUS ÉLEVÉE

- Choisissez un emplacement situé loin des sources d'éclairage nocturne, tels les lampadaires ou autres luminaires. Ces derniers risquent de projeter une lumière sur les cellules photosensibles du luminaire (situées au bas de la plaque de montage, entre les deux sélecteurs). Le système risque d'interpréter cet éclairage comme étant la lumière du jour et il bloquera ainsi toute activation des fonctions du luminaire.
- L'ombre projetée par un porche ou un avant-toit peut faire en sorte que les cellules photosensibles ne reçoivent pas une quantité suffisante de lumière du jour. Le système conclura alors qu'il fait nuit et activera inutilement la lumière durant le jour.

## PIÈCES NÉCESSAIRES À L'ASSEMBLAGE (les illustrations ne sont pas à l'échelle) :



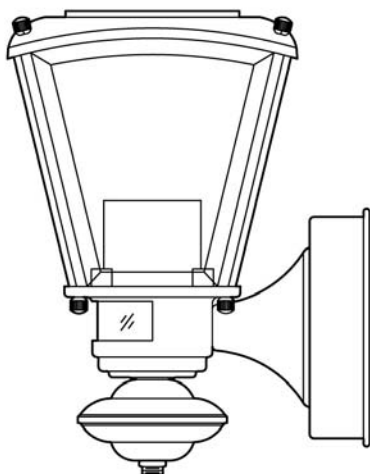
1 capot  
(n° 2)



1 tige filetée (facultatif)  
(n° 20)



1 queue  
décorative  
(facultatif)  
(n° 21)



1 corps du luminaire (n° 1)



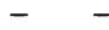
2 écrous du  
capot  
(n° 18)



1 embout  
décoratif  
(facultatif)  
(n° 24)



1 manchon (facultatif) (n° 23)



2 rondelles  
d'arrêt (n° 19)

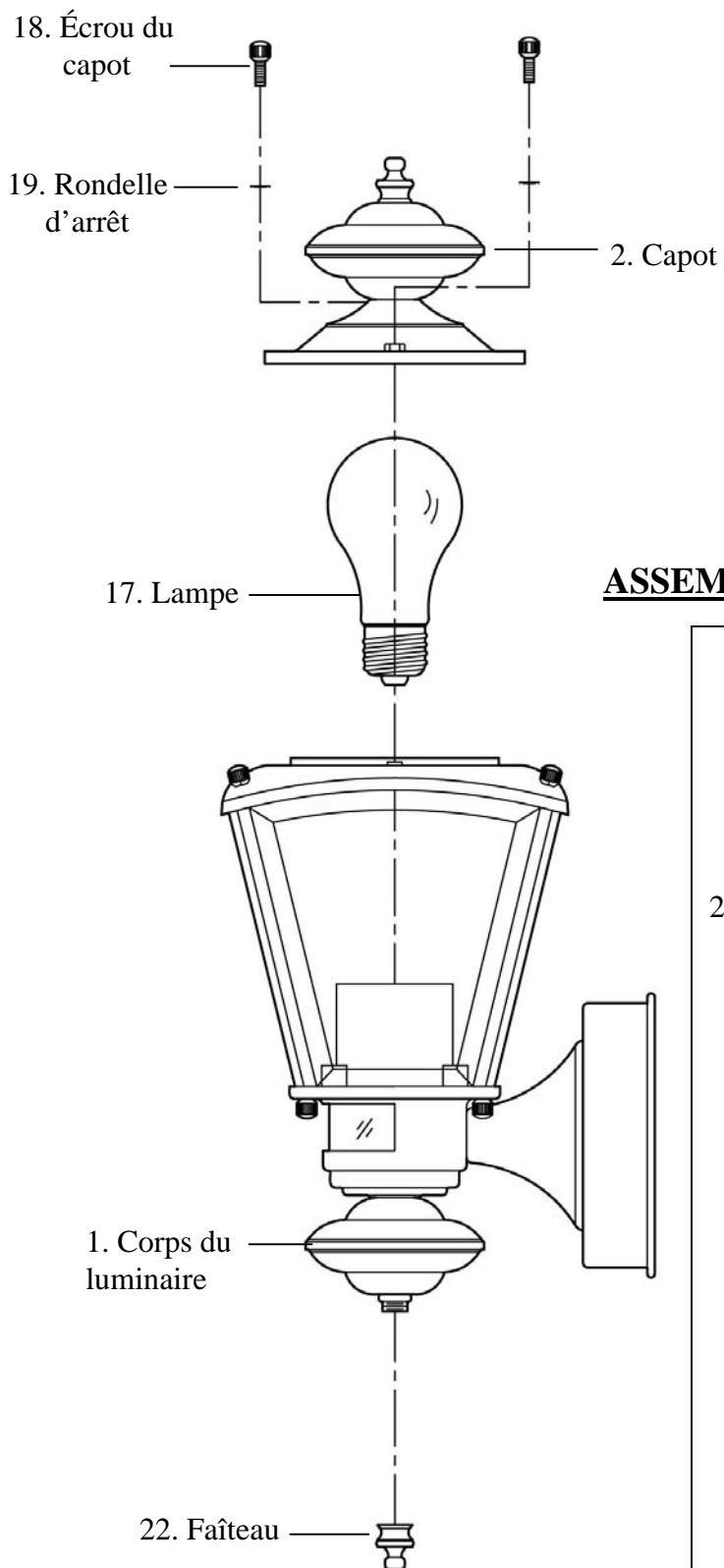


1 faîteau  
(n° 22)

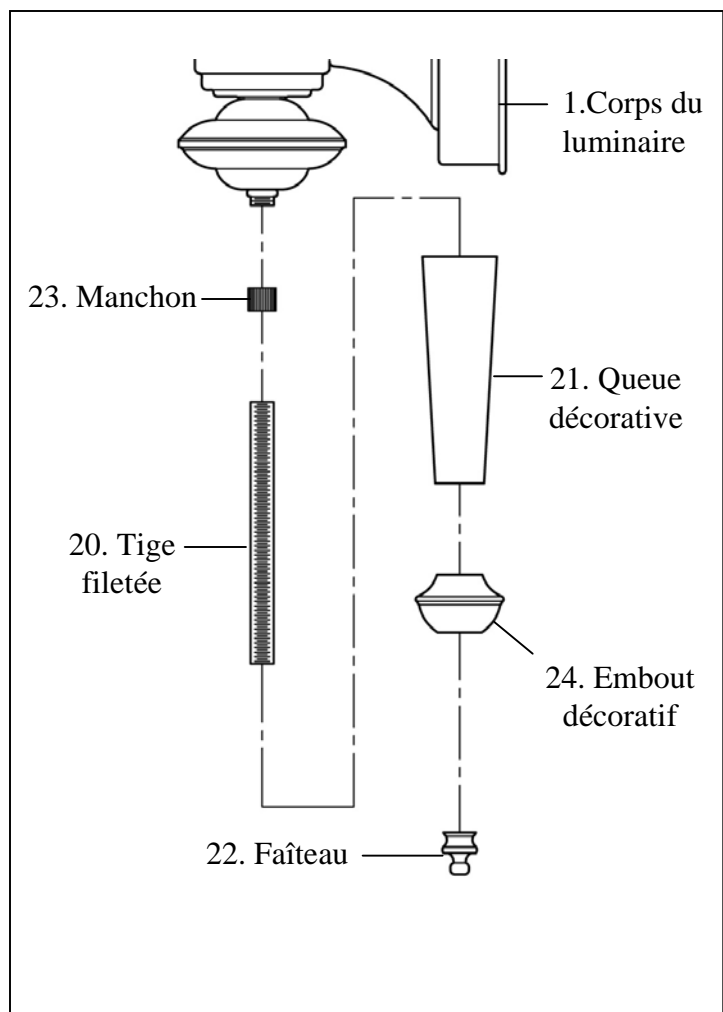
## MODE D'ASSEMBLAGE :

1. Déballiez délicatement le luminaire. Placez toutes les pièces sur une surface propre.
2. Installez une lampe (n° 17) de 100 watts maximum ou une lampe fluocompacte à ballast intégré (non comprise) dans la douille du corps du luminaire (n° 1). La puissance de la lampe ne doit pas dépasser 100 watts ou 26 watts dans le cas d'une lampe fluocompacte à ballast intégré.
3. Fixez le capot (n° 2) sur le corps du luminaire (n° 1) à l'aide des écrous (n° 18) et des rondelles d'arrêt (n° 19) fournies.
4. Vissez le faîteau (n° 22) au bas du corps du luminaire (n° 1).
4. **ASSEMBLAGE DE LA QUEUE DÉCORATIVE (FACULTATIF)** – Vissez le manchon (n° 23) au bas du corps du luminaire (n° 1). Vissez la tige filetée (n° 20) dans le manchon (n° 23). Glissez la queue décorative (n° 21) et l'embout décoratif (n° 24) sur la tige filetée (n° 20) et fixez-les en place en vissant le faîteau (n° 22) sur le bout de la tige filetée (n° 20).

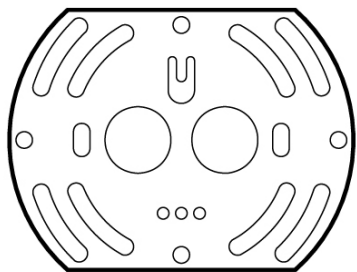
# ASSEMBLAGE :



## ASSEMBLAGE DE LA QUEUE (FACULTATIF)



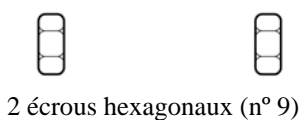
## PIÈCES NÉCESSAIRES À L'INSTALLATION (les illustrations ne sont pas à l'échelle) :



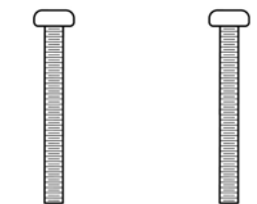
1 plaque de fixation  
(n° 7)



2 vis de montage (n° 8)



2 écrous hexagonaux (n° 9)



2 vis du luminaire (n° 6)



3 capuchons de connexion (n° 14)

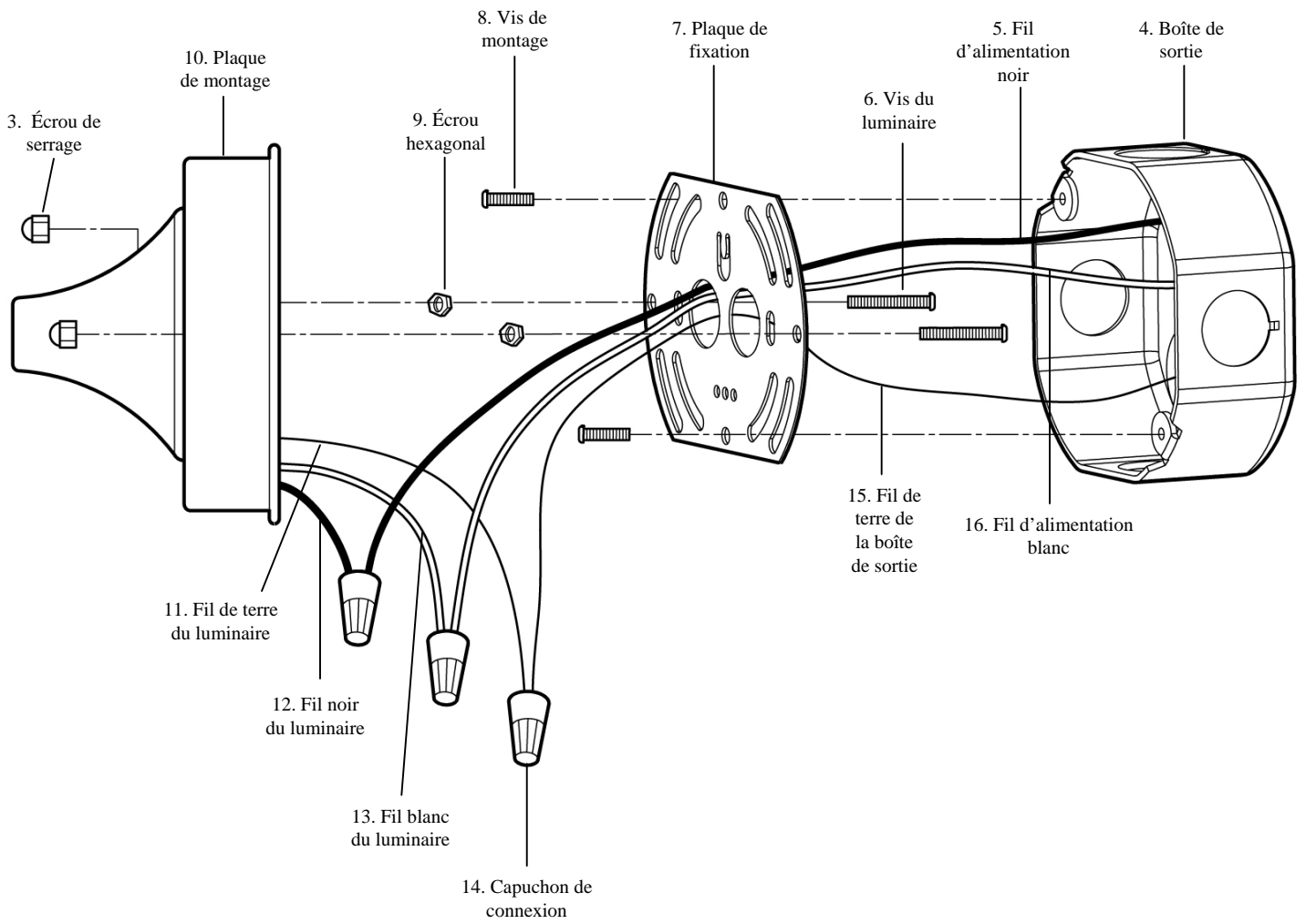


2 écrous de serrage (n° 3)

## MODE D'INSTALLATION :

1. Vissez les vis du luminaire (n° 6) dans les trous prévus à cette fin sur la plaque de fixation (n° 7), tel qu'illustré. Vissez les écrous hexagonaux (n° 9) sur les vis du luminaire (n° 6), tel qu'illustré. Ne pas serrer les écrous hexagonaux (n° 9) pour l'instant.
2. Tirez les fils d'alimentation hors de la boîte de sortie (n° 4) et installez la plaque de fixation (n° 7) sur la boîte de sortie (n° 4) à l'aide des vis de montage (n° 8).
3. Reliez le fil d'alimentation noir (n° 5) au fil noir du luminaire (n° 12) et le fil d'alimentation blanc (n° 16) au fil blanc du luminaire (n° 13) à l'aide des capuchons de connexion (n° 14). Reliez le fil de terre du luminaire (n° 11) et le fil de terre de la boîte de sortie (n° 15) à l'aide d'un capuchon de connexion (n° 14). Enroulez toutes les connexions avec du ruban isolant pour plus de sécurité. *À noter: si vous avez des questions concernant l'installation électrique, veuillez consulter le code de l'électricité en vigueur dans votre province pour connaître les méthodes de mise à la terre approuvées.*
4. Couvrez la boîte de sortie (n° 4) à l'aide de la plaque de montage (n° 10), en veillant à faire passer les vis du luminaire (n° 6) par les trous prévus à cette fin, afin qu'ils dépassent la plaque sur une distance de 0,64 cm. Retirez la plaque de montage (n° 10) du mur et serrez les écrous hexagonaux (n° 9) contre la plaque de fixation (n° 7). Remplacez la plaque de montage (n° 10) sur les vis du luminaire (n° 6) et fixez-la en place à l'aide des écrous de serrage (n° 3) fournis.
5. Après avoir installé le luminaire, calfeutrez les deux tiers supérieurs du joint entre la plaque de montage (n° 10) et la surface du mur. Laissez le tiers inférieur du joint non calfeutré de manière à permettre l'écoulement de l'eau qui pourrait s'infiltrer dans cet espace. Le fabricant recommande d'utiliser un produit de calfeutrage qui ne se dessèche pas. Le scellant élastomère clair 100% silicone pour l'extérieur constitue un bon exemple de ce genre de produit.
6. L'installation est terminée. Rétablissez le courant au niveau du disjoncteur ou de la boîte de fusible. Ouvrez la lumière à l'aide de l'interrupteur mural.

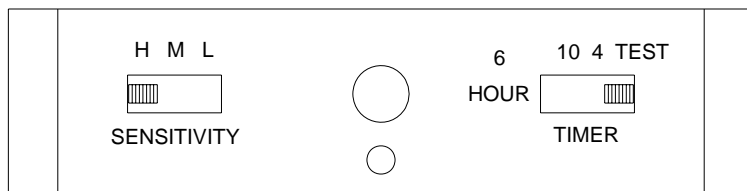
# INSTALLATION :





## UTILISATION :

**POUR COMMENCER :** Après avoir installé le luminaire, placez le sélecteur de mode à la position « TEST ». Rétablissez le courant au niveau du disjoncteur et allumez le luminaire à l'aide de l'interrupteur mural (s'il y a lieu). La lumière s'allumera durant environ 45 secondes, puis elle clignotera trois fois avant de s'éteindre. (À noter: le mode d'essai (TEST) vous permet d'ajuster la sensibilité du détecteur de mouvement. En mode d'essai, le détecteur de mouvement allume la lumière lorsqu'il détecte du mouvement. De cinq à six secondes après la fin du mouvement, la lumière s'éteint.)



**RÉGLAGE DE LA SENSIBILITÉ EN MODE D'ESSAI :** (À NOTER : la sensibilité du détecteur de mouvements est en corrélation directe avec son champ de détection.) En mode d'essai, placez le sélecteur de sensibilité à la position désirée: « F » faible, « M » pour moyenne ou « E » pour élevée. À bonne distance du détecteur, marcher à travers le champ de détection. Lorsque la lumière s'allume, notez la distance qui vous sépare du luminaire. Éloignez-vous du luminaire et attendez de 4 à 5 secondes, soit jusqu'à ce que la lumière s'éteigne. Marchez de nouveau à travers le champ de détection, mais utilisez un angle d'approche différent pour vous diriger vers le luminaire. Notez encore une fois la distance qui vous sépare du luminaire lorsque la lumière s'allume. Répétez cette opération à plusieurs reprises, en modifiant à chaque fois votre angle d'approche. Essayez d'emprunter les parcours qui seront les plus souvent utilisés, telles les allées et les entrées. Après ces essais, vous pouvez augmenter ou diminuer la sensibilité et le champ de détection ou les laisser tels quels. Pour augmenter le champ de détection, poussez le bouton de réglage de la « SENSIBILITÉ » vers la droite jusqu'au niveau supérieur suivant. Pour diminuer le champ de détection, poussez le bouton vers la gauche jusqu'au niveau inférieur suivant. Répétez les étapes précédentes. Continuez à ajuster la sensibilité jusqu'à ce que vous obteniez les résultats désirés.

**SÉLECTION DU MODE DE FONCTIONNEMENT :** Après avoir réglé la sensibilité, choisissez le mode de fonctionnement en plaçant le sélecteur de mode à une des positions suivantes:

Position du sélecteur de mode	Mode	Description
4	Détection de mouvements	À la tombée du jour, le détecteur de mouvements est activé. Le luminaire s'allume automatiquement dès qu'un mouvement est détecté dans la zone de couverture. Lorsque le mouvement cesse, l'éclairage est maintenu durant la période de 4 ou 10 minutes choisie au préalable. Une fois ce délai écoulé, la lumière s'éteint. Le détecteur de mouvements demeure en fonction toute la nuit et est désactivé automatiquement lorsque le jour se lève. Il demeure désactivé toute la journée et, par conséquent, la lumière demeure éteinte.
10		
6 HEURES	Minuterie de 6 heures	À la tombée du jour, la lumière s'allume et demeure allumée durant 6 heures. Après ce délai, la lumière s'éteint et le détecteur de mouvements est activé. Le luminaire s'allume automatiquement dès qu'un mouvement est détecté dans la zone de couverture et demeure allumé durant 10 minutes. Après 10 minutes, la lumière s'éteint. Le détecteur de mouvements fonctionne toute la nuit et est désactivé automatiquement lorsque le jour se lève. Il reste désactivé toute la journée et, par conséquent, la lumière demeure éteinte.

## DÉPANNAGE :

Problème	Cause possible	Solution
La lumière ne s'allume jamais.	1. Le courant est interrompu.	1. Ouvrez l'interrupteur ou le
	2. L'interrupteur est défectueux.	2. Vérifiez ou remplacez l'interrupteur.
	3. Les connexions électriques sont incorrectes.	3. Vérifiez les connexions électriques.
	4. L'ampoule est peut-être grillée. Vérifiez si elle s'allume en la plaçant dans un luminaire qui fonctionne .	4. Remplacez l'ampoule.
Le fusible brûle ou le disjoncteur saute lorsqu'on allume le luminaire.	1. Les connexions électriques ou la mise à la terre n'ont pas été faites correctement.	1. Vérifiez les connexions électriques.
La lumière ne s'allume pas la nuit.	Les cellules photoélectriques reçoivent une trop grande quantité de lumière du soleil en début de soirée.	Relocalisez le luminaire sur un mur qui n'est pas orienté vers l'ouest.
	Les cellules photoélectriques reçoivent une trop grande quantité de lumière en provenance d'une autre source lumineuse, tels un lampadaire ou un autre luminaire.	Éliminez ou éteignez l'autre source lumineuse OU Empêchez l'autre source lumineuse d'atteindre les cellules photoélectriques OU Déplacez le luminaire.
En mode de détection de mouvements, la lumière demeure toujours allumée.	Le détecteur est inutilement activé par une source de chaleur, tels un événement de conduit de chauffage ou de sècheuse, ou encore une piscine chauffée.	Éliminez la source de chaleur OU Déplacez le luminaire
La lumière s'allume sans aucune raison.	La circulation sur la rue ou le trottoir active le détecteur de mouvements.	Diminuez le niveau de sensibilité.
	Le détecteur est inutilement activé par une source de chaleur, tels un événement de conduit de chauffage ou de sècheuse, ou encore une piscine chauffée.	Éliminez la source de chaleur OU Déplacez le luminaire
La lumière s'allume durant le jour ou trop tôt le soir.	Le luminaire a peut-être été installé dans un endroit ombragé, tels un porche ou un avant-toit, ce qui empêche la lumière du jour d'atteindre les cellules photoélectriques.	Déplacez le luminaire.
En mode minuterie de 6 heures, la lumière s'allume trop tard le soir.	Les cellules photoélectriques reçoivent une trop grande quantité de lumière du soleil en début de soirée.	Déplacer le luminaire vers un endroit ne faisant pas face à l'ouest.
En mode minuterie de 6 heures, la lumière ne s'allume pas le soir.	Les cellules photoélectriques reçoivent une trop grande quantité de lumière en provenance d'une autre source lumineuse, tels un lampadaire ou un autre luminaire. Couvrez le capteur avec du ruban noir pour vérifier si la lumière s'allume lorsqu'il fait assez sombre.	Éliminez ou éteignez l'autre source lumineuse OU Empêchez l'autre source lumineuse d'atteindre les cellules photoélectriques OU Déplacez le luminaire.

## **ENTRETIEN DU LUMINAIRE :**

1. Pour nettoyer la surface extérieure du luminaire, utilisez un linge sec ou légèrement humide (avec de l'eau propre, jamais un solvant) et essuyez le luminaire.
2. Pour nettoyer l'intérieur du luminaire, coupez tout d'abord le courant au niveau du disjoncteur ou retirez le fusible de la boîte de fusible. Puis, utilisez un linge sec ou légèrement humide (avec de l'eau propre, jamais un solvant) et essuyez la surface intérieure du luminaire.
3. N'utilisez aucun produit de nettoyage contenant des agents chimiques, des solvants ou des abrasifs durs. Utilisez uniquement un linge doux et sec pour enlever la poussière en essuyant délicatement.

## **GARANTIE LIMITÉE**

Le fabricant garantit ce luminaire contre tout défaut de matériaux ou de fabrication pour une période de trois (3) ans à partir de la date d'achat. Cette garantie est uniquement offerte à l'acheteur initial et elle ne couvre que les produits qui sont utilisés et entretenus dans des conditions normales. Si le produit s'avère défectueux, la seule obligation du fabricant, et votre seul recours, consiste à réparer ou à remplacer le produit, à la discrétion du fabricant, pourvu que le produit n'ait pas fait l'objet d'un usage inadéquat ou abusif, d'un accident, de modifications, d'altérations, de négligence ou d'une mauvaise manipulation. La présente garantie ne s'applique pas aux produits qui ont été mal installés ou utilisés d'une manière qui contrevient aux directives fournies avec le produit. Cette garantie ne couvre pas les défaillances découlant d'un accident, d'un usage inadéquat ou abusif, de la négligence, d'une altération ou d'une mauvaise installation et exclut également les défaillances qui ne sont pas liées aux matériaux ou à la fabrication. La garantie ne couvre pas la finition extérieure du produit, telle l'altération de la surface par le temps ou les intempéries, celle-ci étant considérée comme une usure normale. **Le fabricant n'offre et ne reconnaît aucune garantie, explicite ou implicite, de convenance à une utilisation spécifique, autre que la présente garantie. Le fabricant décline spécifiquement toute responsabilité et ne peut être tenu responsable des dommages accessoires ou indirects y compris, mais sans toutefois s'y limiter, tous les coûts de main-d'œuvre et autres frais liés au remplacement ou à la réparation du produit.**

## **AVERTISSEMENT**

À NOTER : Cet équipement a été testé et déclaré conforme aux limites des appareils numériques de classe B, aux termes de l'article 15 des règles de la FCC. Ces limites sont conçues de manière à fournir une protection raisonnable contre les interférences nuisibles dans le cadre d'une installation résidentielle. Cet appareil produit, utilise et peut émettre des hyperfréquences qui, si l'appareil n'est pas installé et utilisé selon les consignes données, peuvent causer des interférences nuisibles aux communications radio. Cependant, rien ne peut garantir l'absence d'interférences dans le cadre d'une installation particulière. Si cet appareil est la cause d'interférences nuisibles pour la réception des signaux de radio ou de télévision, ce qui peut être décelé en fermant l'équipement, puis en le remettant en fonction, l'utilisateur pourrait essayer de corriger la situation en prenant les mesures suivantes:

- réorienter ou déplacer l'antenne de réception;
- augmenter la distance entre l'équipement et le récepteur;
- brancher l'équipement sur un autre circuit que celui utilisé par le récepteur;
- demander l'aide du marchand ou d'un technicien chevronné en radio/télévision.

**MISE EN GARDE :** Toute modification du circuit électrique aura pour effet d'annuler la conformité de l'appareil aux exigences du FCC, partie 15, et, par conséquent, devrait être évitée.



## Free Manuals Download Website

<http://myh66.com>

<http://usermanuals.us>

<http://www.somanuals.com>

<http://www.4manuals.cc>

<http://www.manual-lib.com>

<http://www.404manual.com>

<http://www.luxmanual.com>

<http://aubethermostatmanual.com>

Golf course search by state

<http://golfingnear.com>

Email search by domain

<http://emailbydomain.com>

Auto manuals search

<http://auto.somanuals.com>

TV manuals search

<http://tv.somanuals.com>