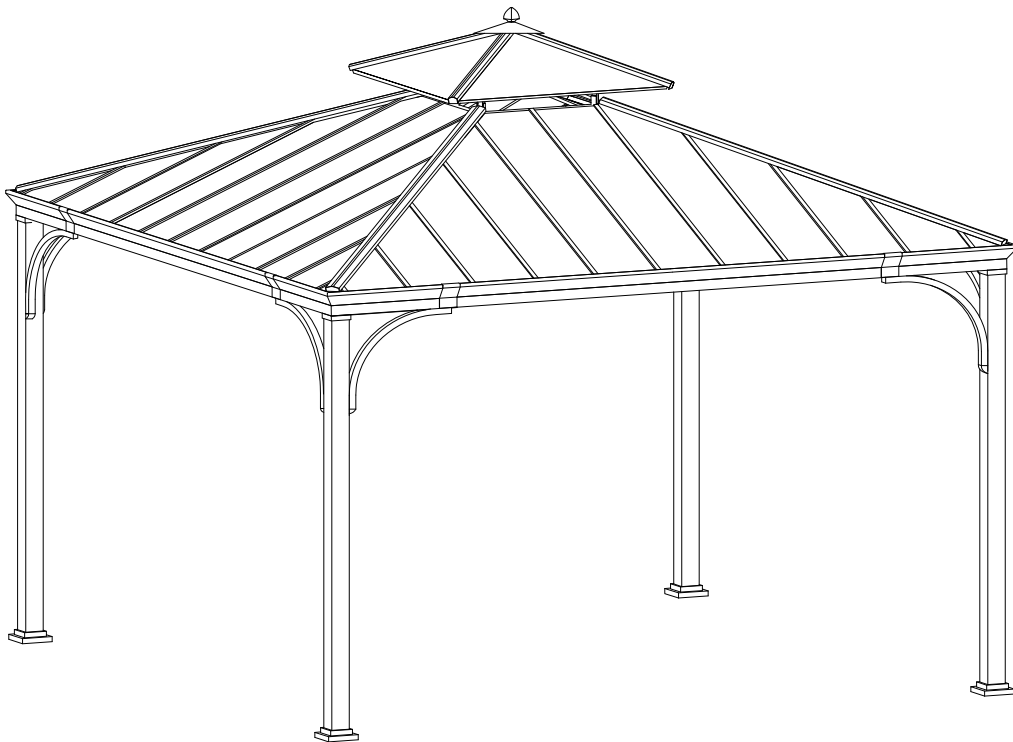




Item #1000 018 755
Model #L-GZ680PST-M

USE AND CARE GUIDE

HARPER GAZEBO 10 FT. X 10 FT.



Questions, problems, missing parts? Before returning to the store,
call Hampton Bay Customer Service
8 a.m. - 6 p.m., EST, Monday-Friday

1-855-HD-HAMPTON

HAMPTONBAY.COM

THANK YOU

We appreciate the trust and confidence you have placed in Hampton Bay through the purchase of this gazebo. We strive to continually create quality products designed to enhance your home. Visit us online to see our full line of products available for your home improvement needs. Thank you for choosing Hampton Bay!

Table of Contents

Table of Contents.....	2	Pre-Assembly	3
Safety Information.....	2	Planning Installation	3
Warranty	2	Hardware Included.....	3
What is Covered	2	Package Contents	4-5
What is Not Covered	2	Assembly	6-12
		Care and Cleaning	13

Safety Information

1. More than 6 persons is required for this assembly
2. Some parts may contain sharp edges. Wear protective gloves.
3. When assembling and using this product, basic safety precautions should always be followed to reduce the risk of personal injury and damage to equipment. Please read all instructions before assembly and usage.



DANGER: This unit is heavy! Do not assemble this item alone.



WARNING: Do not leave the gazebo where there is a risk of high wind, as possible damage will occur to the structure.



CAUTION: Do not climb on top of the gazebo. Falling off the gazebo can result in serious injury, possibly even death.

NOTICE: For outdoor use only.

Warranty

2 YEARS WARRANTY

WHAT IS COVERED

This limited warranty is extended to the original purchaser and applies to defects in materials and workmanship of your item provided the item is maintained with care and used only for personal, residential purposes. The item is warranted to be free from defects in material or workmanship for a period of 2 years.

WHAT IS NOT COVERED

We do not reimburse for transportation of delivery costs, or compensate the individual or any outside party for assembling or disassembling the product.

Contact the Customer Service Team at 1-855-HD-HAMPTON or visit www.Hamptonbay.com.

Pre-Assembly

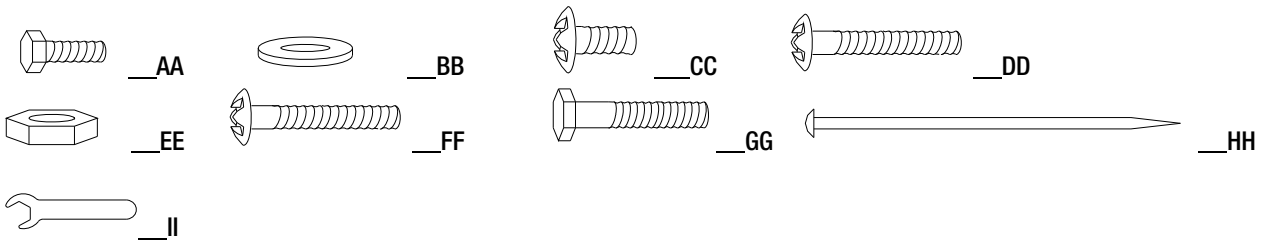
PLANNING INSTALLATION

Before beginning assembly of this product, make sure all parts are present. Compare parts with the Hardware Included and Package Contents lists. If any part is missing or damaged, do not attempt to assemble the product. Contact customer service for replacement parts.

HARDWARE INCLUDED



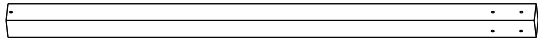
NOTE: Hardware not shown to actual size.



Part	Description	Quantity
AA	M6X15 bolt	80
BB	M6 flat washer	276
CC	M6X15 screw	116
DD	M6X60 screw	16
EE	M6 nut	16
FF	M6X40 screw	16
GG	M6X40 bolt	32
HH	Dia.8X250 stake	16
II	M6 wrench	2

Pre-Assembly (continued)

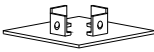
PACKAGE CONTENTS



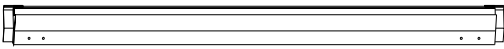
_A



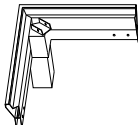
_B



_C



_D1



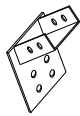
_D2



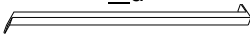
_E



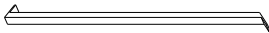
_F



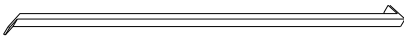
_G



_I1



_I2



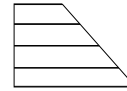
_I3



_I4



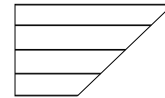
_J1



_J2



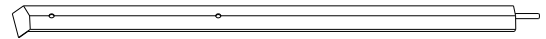
_J3



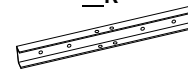
_J4



_J5



_K



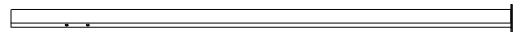
_L



_M1



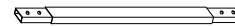
_M2



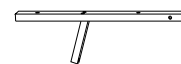
_H



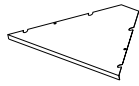
_N1



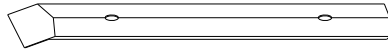
_N2



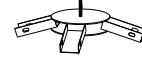
_O



_P



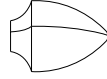
_Q



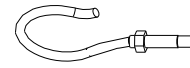
_R



_S



_T



_U

Part	Description	Quantity
A	Post	4
B	Cover	4
C	Stake base	4
D1	Decorative groove	4
D2	Corner part	4
E	Support	8
F	Long beam	4
G	Connector	4
H	Middle beam	4
I1	Beam 1	4
I2	Beam 2	4
I3	Beam 3	4
I4	Beam 4	4
J1	Left small cover	4
J2	Left middle cover	4

Part	Description	Quantity
J3	Middle cover	4
J4	Right middle cover	4
J5	Right small cover	4
K	Coping	4
L	Decorative connector	8
M1	Cover tablet 1	4
M2	Cover tablet 2	4
N1	Top connector	4
N2	Top beam	4
O	Small roof beam	4
P	Small roof cover	4
Q	Small roof board	4
R	Small roof connector	1
S	Small roof cap	1
T	Finial	1
U	Hook	1

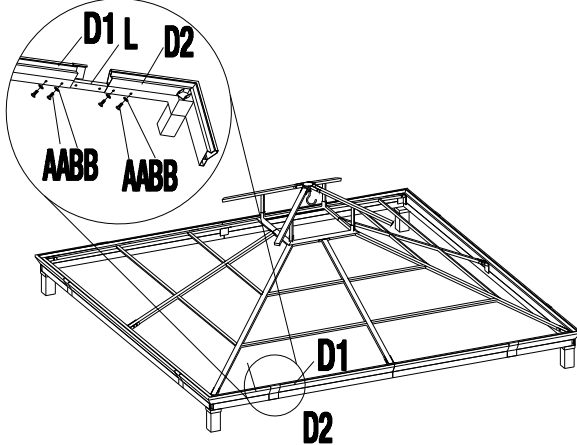
Assembly (continued)

1 Attaching the decorative connector

- Insert the decorative connector (L) into the decorative groove (D1) and corner part (D2). Then use bolts (AA) and flat washers (BB) to secure.



NOTE: To avoid destroying the finish, please handle it with care.

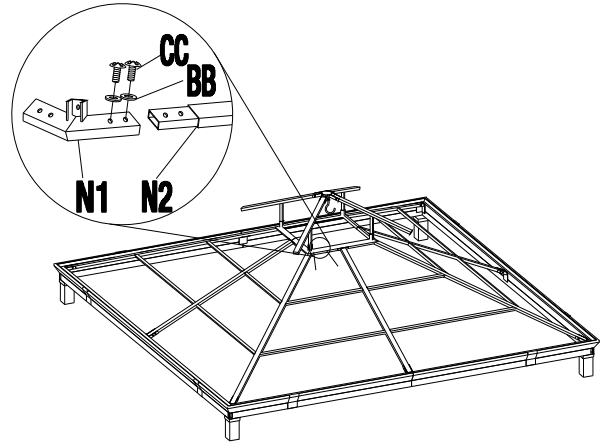


2 Attaching the top connector to the top beam

- Attaching the top connector (N1) to the top beam (N2) using screw (CC) and flat washers (BB).



NOTE: To avoid destroying the finish, please handle it with care.

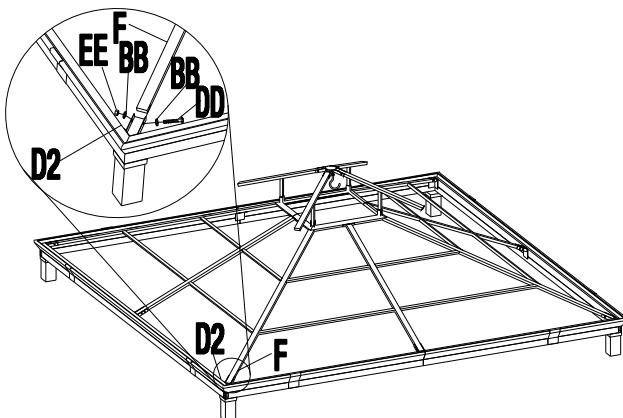


3 Attaching the beams

- Insert the long beam (F) to the beam connector and secure using screws (DD), flat washers (BB) and nuts (EE).



NOTE: To avoid destroying the finish, please handle it with care.

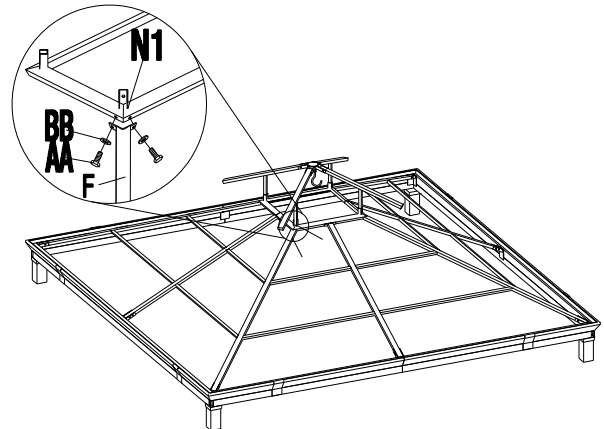


4 Securing the beams to the frame

- Secure the long beams (F) to the top connectors (N1) using bolts (AA) and flat washers (BB).



NOTE: To avoid destroying the finish, please handle it with care.



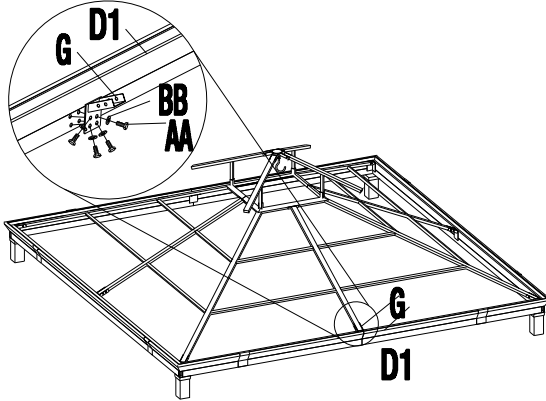
Assembly (continued)

5 Securing the connectors

- Secure the connector (G) to the decorative groove (D1) using bolts (AA) and flat washers (BB).



NOTE: To avoid destroying the finish, please handle it with care.

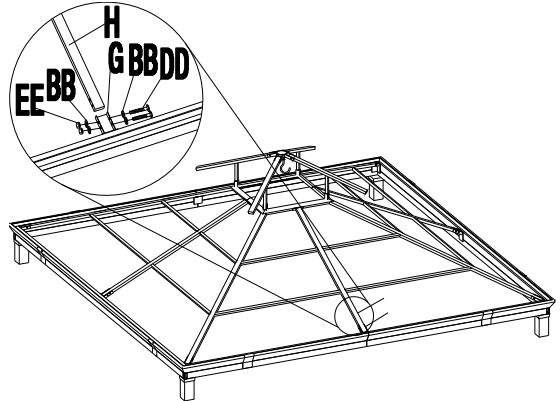


6 Securing the middle beam to the connector

- Secure the middle beams (H) to the connectors (G) using screws (DD), flat washers (BB), and nuts (EE).

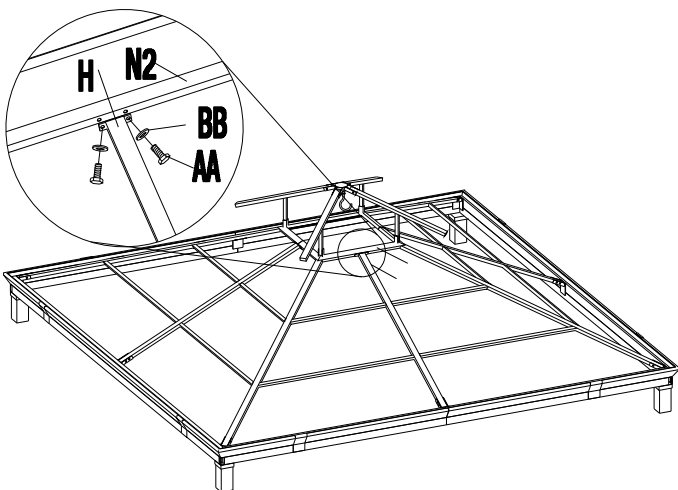


NOTE: To avoid destroying the finish, please handle it with care.



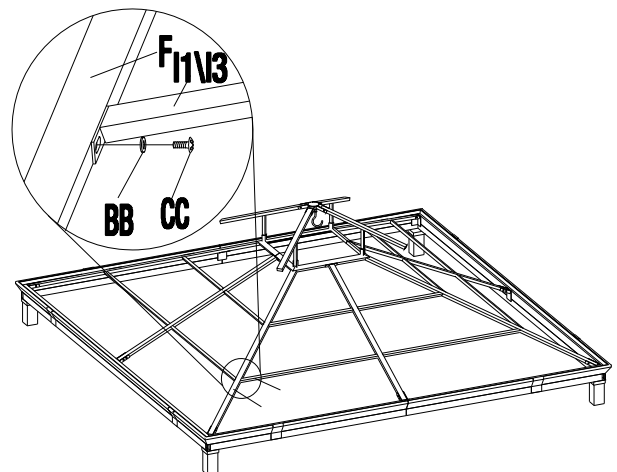
7 Securing the middle beam to the frame

- Use bolts (AA) and flat washers (BB) to secure the middle beam (H) to the frame (N).



8 Securing the beams to the long beams

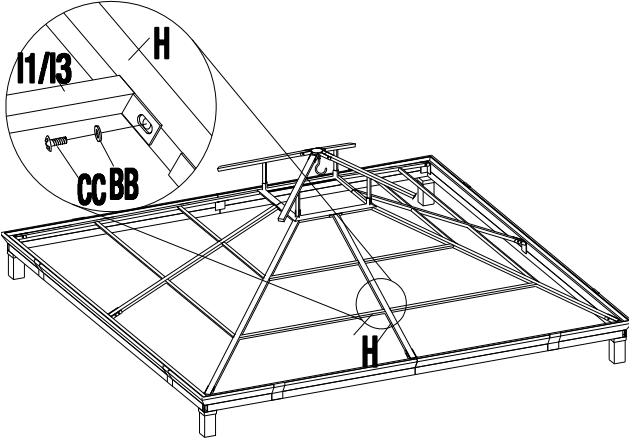
- Secure the beam 1 (I1) and beam 3 (I3) to beams (F) using screws (CC) and flat washers (BB). Repeat this step for beam 2 (I2) and beam 4 (I4).



Assembly (continued)

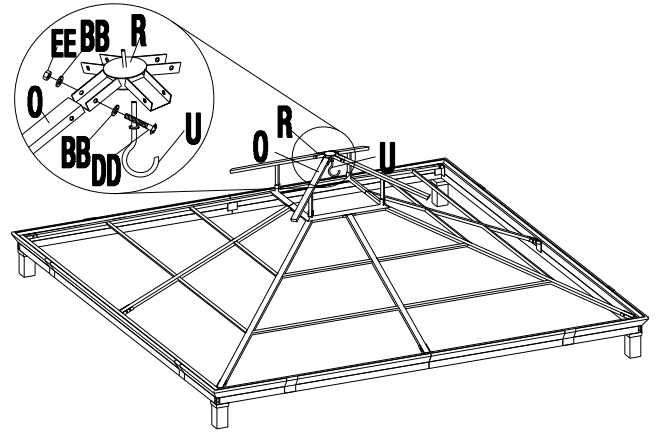
9 Securing the beams to the middle beams

- Secure the other end of beam 1 (I1) and beam 3 (I3) to the middle beam (H) using a screw (CC) and flat washer (BB). Repeat this step for beam 2 (I2) and beam 4 (I4).



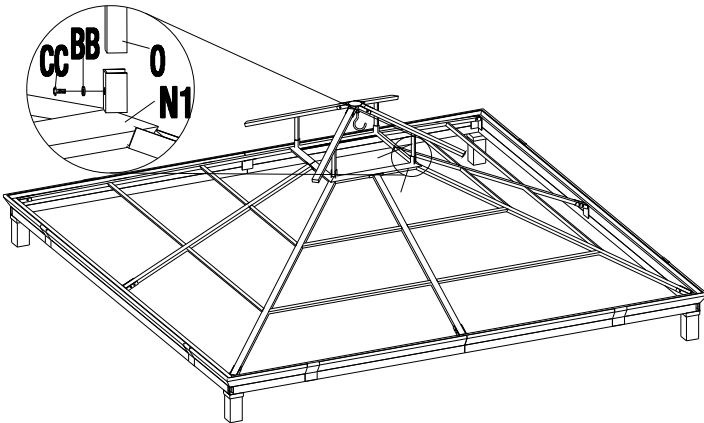
10 Attaching the small roof beams to the connector

- Attach the small roof beams (O) to the small roof connector (R) using screws (DD), flat washers (BB), and nuts (EE). Then install the hook (U) to the small roof connector (R).



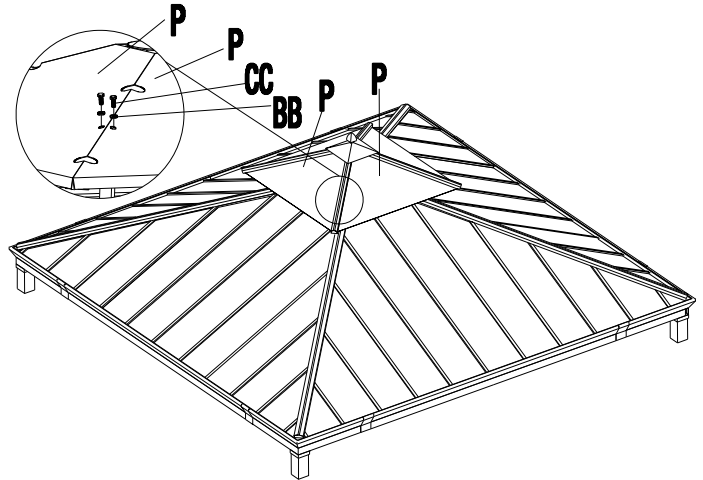
11 Attaching the small roof beams to the frame

- Attach the small roof beams (O) to the frame (N) using screws (CC) and flat washer (BB).



12 Securing the small roof cover to the small roof beam

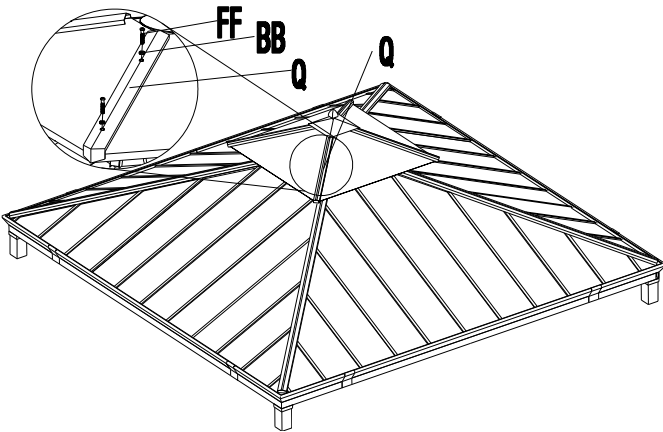
- Secure the small roof covers (P) to the small roof beams (O) using screws (CC) and flat washers (BB).



Assembly (continued)

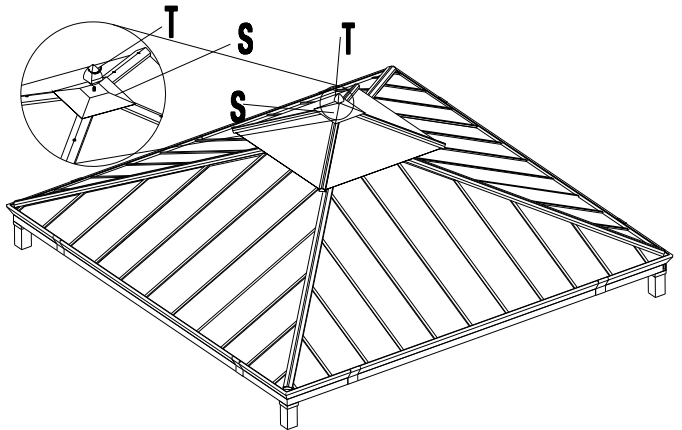
13 Attaching the small roof boards and covers to the roof beam

- Attach the small roof boards (Q) to the small roof covers (P) and secure them to the small roof beams (O) using screws (FF) and flat washers (BB).



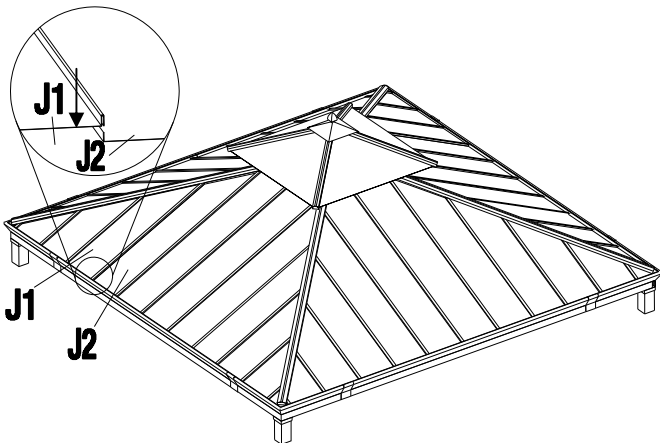
14 Attaching the small roof cap and finial

- Attach the small roof cap (S) to the small roof assembly. Attach the finial (T) to the top of the small roof cap (S).



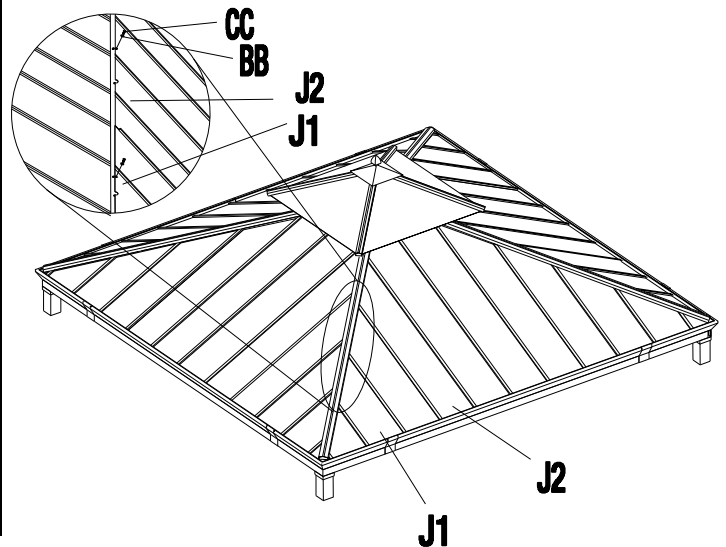
15 Attaching the left small and middle covers

- Attach the left middle covers (J2) to the left small covers (J1) as shown.



16 Securing the left middle and left small covers

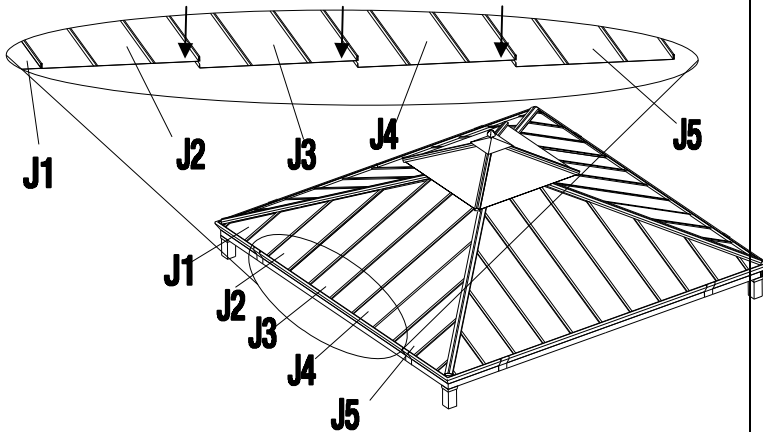
- Attaching the left middle covers (J2) and the left small covers (J1) to beam.



Assembly (continued)

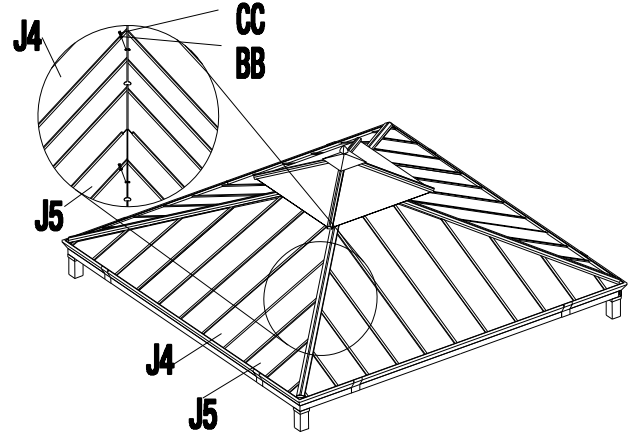
17 Attaching the right middle covers

- Attach the middle covers (J3) to the left middle covers (J2). Attach the right middle covers (J4) to the middle covers (J3). Attach the right small covers (J5) to right middle covers (J4).



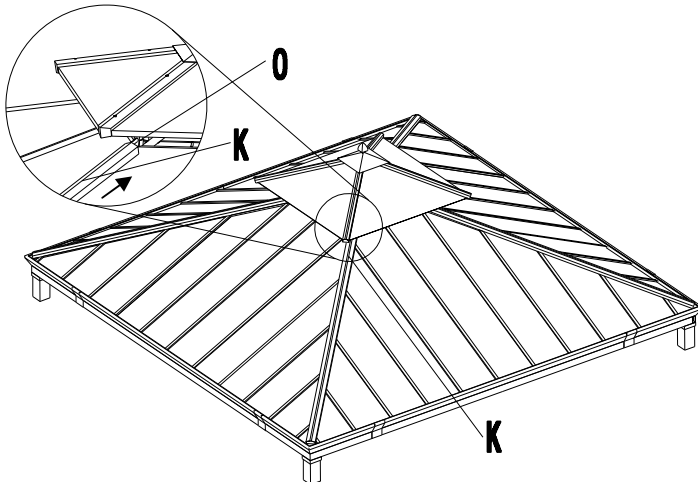
18 Attaching the right middle cover to the right small cover

- Use the screws (CC) and flat washers (BB) to secure the right middle cover (J4) and right small cover (J5) to the beam.



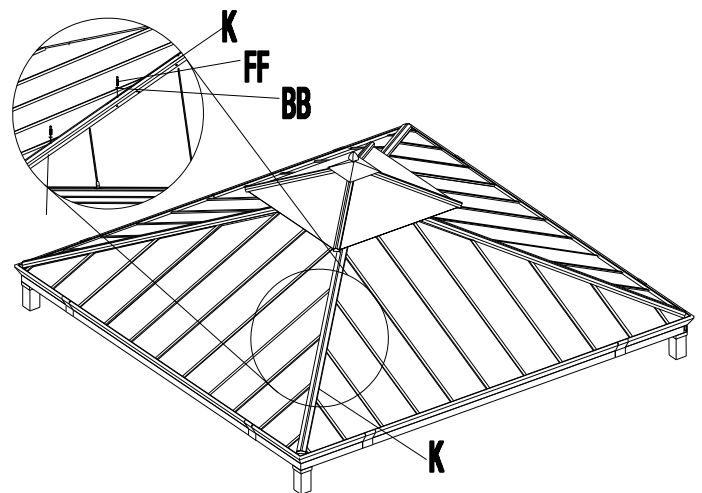
19 Attaching the coping to the small roof beam

- Insert one end of the copings (K) to the holes of the small roof beams (O).



20 Securing the copings to the beams

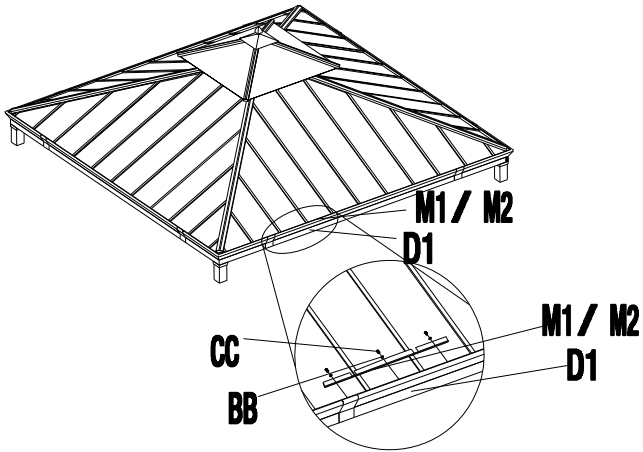
- Use the screws (FF) and flat washers (BB) to secure the copings (K) to the beam.



Assembly (continued)

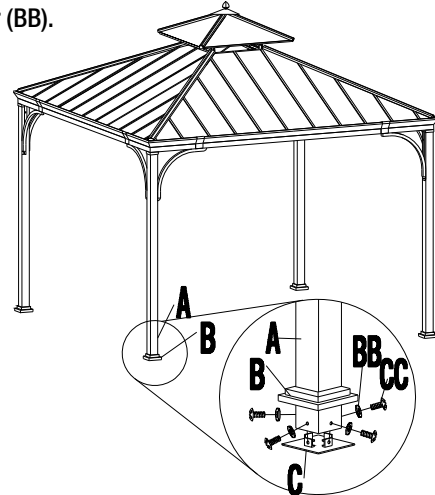
21 Attaching the cover tablets

- Use the screws (CC) and flat washers (BB) to install the cover tablets (M) to the decorative grooves (D1).



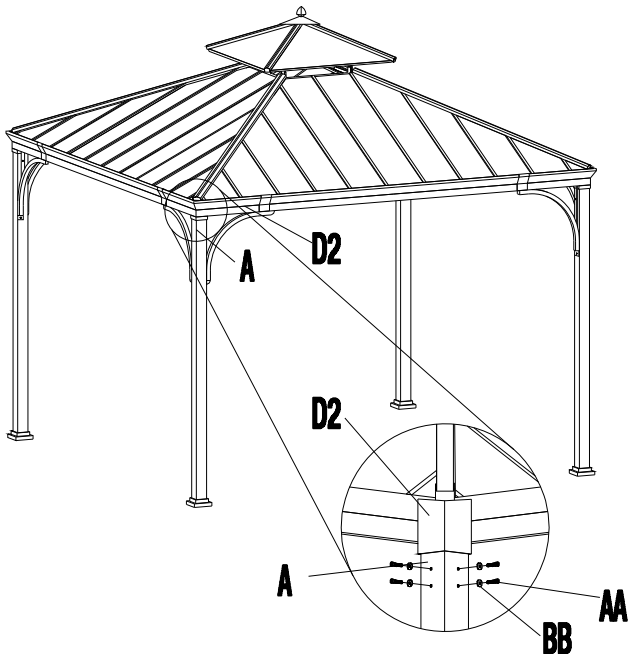
22 Connecting the stake base and post

- Attach the covers (B) to the posts (A) and connect the stake bases (C) and posts (A) by using the screws (CC) and flat washer (BB).



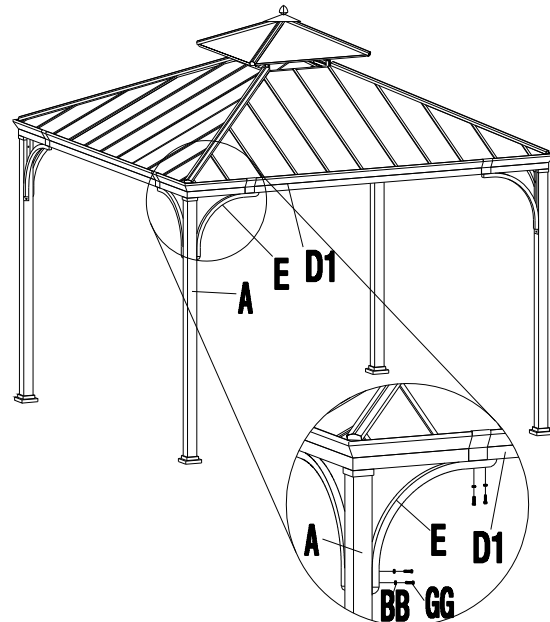
23 Connecting the top assembly to the posts

- Raise the top assembly and insert the posts (A) into the cannula of the decorative grooves (D1). Then connect them using bolts (AA) and flat washers (BB).



24 Attaching the supports

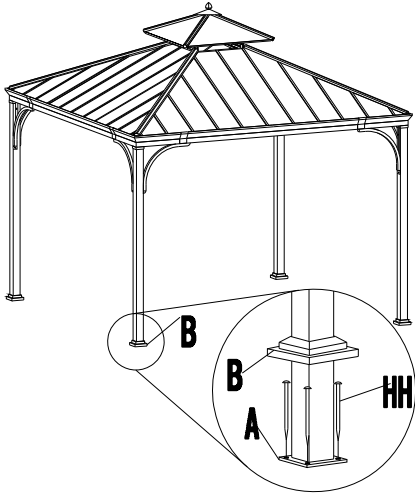
- Use the bolts (GG) and flat washers (BB) to install the supports (E) to the corners of the posts (A) and decorative grooves (D1).



Assembly (continued)

25 Securing the gazebo

- Lift the covers (B) and use the stakes (HH) to secure the whole gazebo to the ground.



Care and Cleaning

- Before using, clean the gazebo completely with a soft dry towel.
- Do not put your gazebo in wet conditions where there is a risk of rust developing.
- When not in use, store in a cool, dry area.



Questions, problems, missing parts? Before returning to the store,
call Hampton Bay Customer Service
8 a.m. - 6 p.m., EST, Monday-Friday

1-855-HD-HAMPTON

HAMPTONBAY.COM

Retain this manual for future use.

Free Manuals Download Website

<http://myh66.com>

<http://usermanuals.us>

<http://www.somanuals.com>

<http://www.4manuals.cc>

<http://www.manual-lib.com>

<http://www.404manual.com>

<http://www.luxmanual.com>

<http://aubethermostatmanual.com>

Golf course search by state

<http://golfingnear.com>

Email search by domain

<http://emailbydomain.com>

Auto manuals search

<http://auto.somanuals.com>

TV manuals search

<http://tv.somanuals.com>