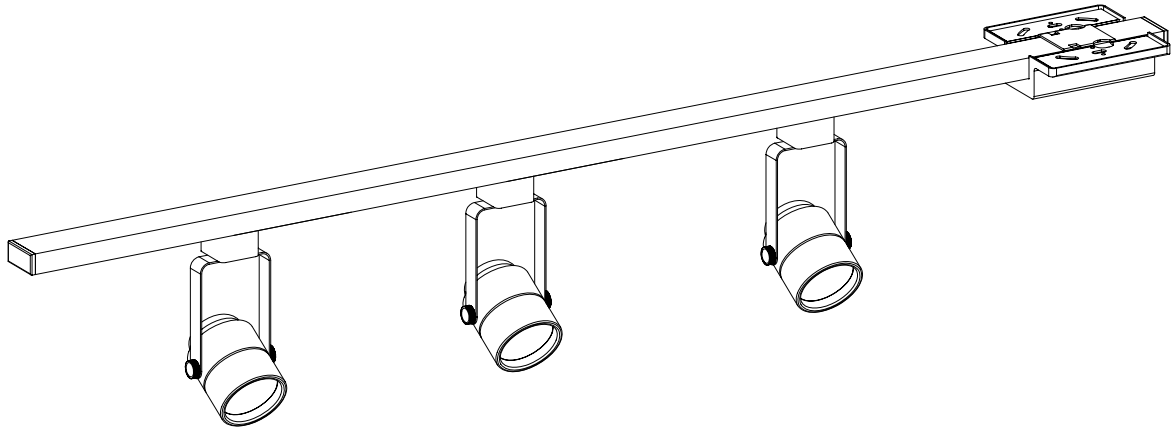


**INSTRUCTION MANUAL**  
**3Light Linear Track lighting Kit**

**Black Finish**  
**White Finish**

**Home Depot SKU 724-491(UPC008938101325)BK**  
**Home Depot SKU 142-780(UPC008938101318)WH**



Thank you for purchasing this Hampton Bay interior rigid track kit. This product has been manufactured with the highest standards of safety and quality.

## FEATURES:

1. This linear track kit includes 1, 44in. track section, 1 floating canopy, 1 straight connector (for BK) and 3 Track Heads.
2. Track heads are multi-directional to provide light in hard to reach places.
3. This track kit can be mounted to a wall or a ceiling.
4. The floating power feed was designed to supply power anywhere along the track system.

## QUESTIONS, PROBLEMS, MISSING PARTS:

Before returning to your local Home Depot, please call our Customer Service Team at 1-877-527-0313 or visit [www.homedepot.com](http://www.homedepot.com). Please reference SKU 724-491, UPC 008938101325 or SKU 142-780, UPC 008938101318.

## GENERAL:

1. Be sure to read these installation instructions and review the diagrams thoroughly before installing the track system.
2. All electrical connections must be in accordance with local codes and the National Electrical Code. If you are unfamiliar with methods of installing electrical wiring, secure the services of a qualified licensed electrician.
3. Before starting the installation, disconnect the power by turning off the circuit breaker or by removing the appropriate fuse at the fuse box. Turning the power off using the light switch is not sufficient to prevent electrical shock.

**Note:** The important safeguards and instructions appearing in this manual are not meant to cover all possible conditions and situations that may occur. It must be understood that common sense, caution and care are factors that cannot be built into any product. These factors must be supplied by the person(s) caring for, installing and operating the fixture. If at any time you are uncomfortable or are unsure of what to do, please contact a qualified licensed electrician for further assistance.

## IMPORTANT SAFETY INSTRUCTIONS

WHEN INSTALLING OR USING THIS TRACK SYSTEM, BASIC SAFETY PRECAUTIONS SHOULD ALWAYS BE FOLLOWED INCLUDING THE FOLLOWING:

1. Read all instructions. Save these instructions and refer to them when additions to or changes in the track configuration are made.
2. Do not install this lighting system in a damp or wet location.
3. Before energizing make sure that the lighting system is clear of all material which could cause a direct short and check all electrical connections to make sure they are secure.
4. Do not install any part of this system (TRACK) less than 7 feet (2.2m) above floor.
5. Do not install any lamps closer than 6 inches (15.25cm) from any curtain or similar combustible material.
6. For installation with EC series track only.
7. CAUTION – To reduce the risk of a burn during re-lamping, remove from the track before re-lamping.
8. This track system is not intended for the use with a power supply cord or convenience receptacle adaptor.
9. This track system is to be supplied by a single branch 120 volt circuit.
10. The track is not intended to be pendant mounted such as by a stem or cable.
11. The mounting screws are to be mounted along the track in the keyhole slots provided.
12. Disconnect electrical power before adding to or changing the configuration of the track.
13. Do not attempt to energize anything other than EC series track lighting fixtures or components on the track. To reduce the risk of fire and electrical shock, do not attempt to connect power tools, extension cords, appliances, etc. to the track.
14. CAUTION: Lighted lamp is hot! Do not touch lamp at any time. Use a soft cloth, Oil from skin may damage lamp.
15. CAUTION – Hot surface, keep away from curtains and other combustible materials.
16. Lamp gets hot quickly! Contact only switch or plug when turning on. Do not touch hot lamp lens.

## SAVE THESE INSTRUCTIONS

### TOOLS REQUIRED FOR ASSEMBLY & INSTALLATION (not included):



Ladder



Safety goggles



Wire stripper



Gloves



Flathead screwdriver



Phillips screwdriver



Electrical tape

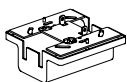


Drill



1/4 In. (method 1) or 5/8 In. (method 2) Drill bits

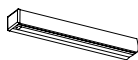
### PARTS INCLUDED FOR ASSEMBLY (parts are not to scale):



x1 Canopy



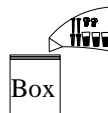
x 2 Toggle bolts



x1 44in. Linear Track



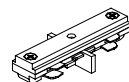
x3 GU10 Shielded Bulb



x1 Hardware Packet

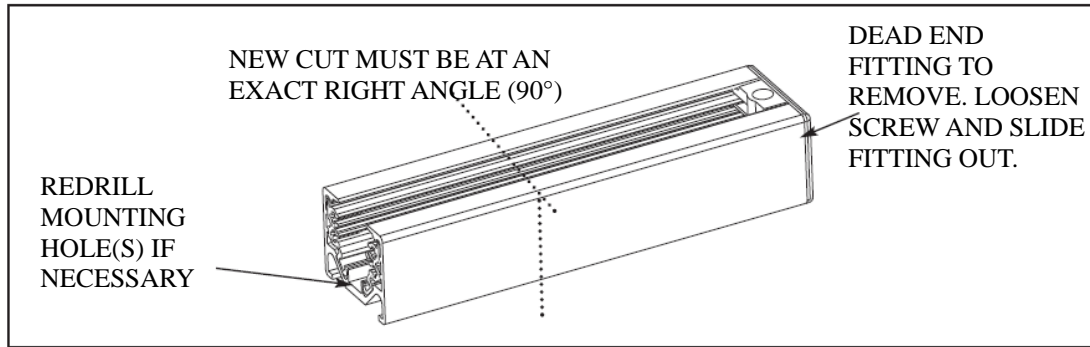


x3 Track Fixtures



1 straight Connector

## FIELD CUTTING TRACK TO SPECIAL LENGTHS (OPTIONAL):



**Note:** Cutting should be done preferably from the dead end of the track.

1. Remove dead end fitting and pull copper bus bars and insulators flush or even with one end of the track.
2. With a hacksaw, cut the flush end (the side with insulators and bus bars even to end) to desired length. Be sure to allow 1/8<sup>th</sup> in. for dead end fitting which must be reinstalled to the track end.
3. Remove all burrs from the track, insulators and copper bus bars.
4. Push copper bus bars back into the insulators 3/8<sup>th</sup> in. from the end of the insulators.

**Note:** After you complete step 4, bus bar insulators should be a minimum of 3/8<sup>th</sup> in. and a maximum of 1/2 in. from each end of the insulator. If this is not the case, make appropriate modifications.

5. Reinstall the dead end and/or appropriate feed connector and tighten the screw.

**CAUTION:** After track has been field cut, make certain that each length of track that is 4 feet (1.22m) or less in length has one mounting opening spaced a maximum of 6 in. (150mm) from each track end section. A single section of track that is greater than 4 feet (1.22m) in length must have mounting openings a maximum of 12 in (300 mm) from each end of the track with additional openings a minimum of every 4 feet (1.22m) long the length of the track section. Additional openings every 4 feet (1.22m) along the track section may be added as needed.

## IF ADDITIONAL MOUNTING HOLES ARE NEEDED (OPTIONAL):

1. Locate desired mounting hole(s) on the inside of the track section along the center line.
2. Using 3/16<sup>th</sup> diameter drill bit, drill a hole through the track channel.

**CAUTION:** Take care that you do not damage the bus bar insulators during the drilling operation. If you accidentally damage any insulators, discard the track section. To prevent the risk of fire, or injury to person(s), DO NOT ATTEMPT TO USE IT IN THE INSULATION.

3. Remove all burrs and install track as described above.

## INSTALLATION INSTRUCTIONS (AS SHOWN IN DIAGRAM):

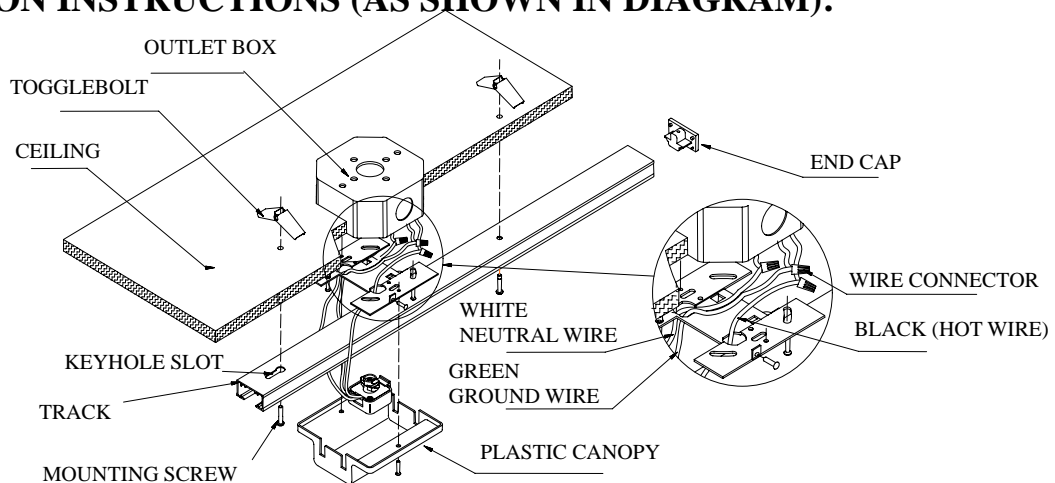


FIG. 1

### STEP 1:

#### CONNECT FLOATING LIVE-END CONNECTOR TO TRACK

1. The track section and floating live-end connector must be assembled so that polarity between conductors is maintained. **NOTE:** The floating live-end connector has a tab on one side and the track has an indentation which runs the length of the track channel (Refer to Figure 2.). Align the floating live-end connector tab with the track indentation and insert the floating live-end connector into the track channel so that the base of connector fits flush against the track twist connector clockwise 1/4 (one quarter) turn so that the connector fits snugly against the track.

**CAUTION:** When the floating live-end connector is twisted into position make certain that the two copper tabs at the base of the connector align with the two copper bars inside the track -this is necessary to maintain polarity.

2. The floating live-end connector should be positioned along the track so that it will align with the outlet box after track is installed. The plastic canopy must enclose the floating live-end connector and cover the outlet box. The plastic canopy should not cover the track mounting attachment holes. The plastic canopy attaches to the mounting plate with the 2 screws after Electrical connections are made.

### STEP 2:

#### ATTACH MOUNTING PLATE TO TRACK

Place the mounting plate on the back side of the track section so that the set screws on plate fit over the ridges on both sides of the track. This will insure grounding continuity. Center the plate with previously installed floating live-end connector and tighten the set screws on both sides of the track. Pass wires from the floating live end connector through the hole in the mounting plate into ceiling outlet box. (See Figure 3)

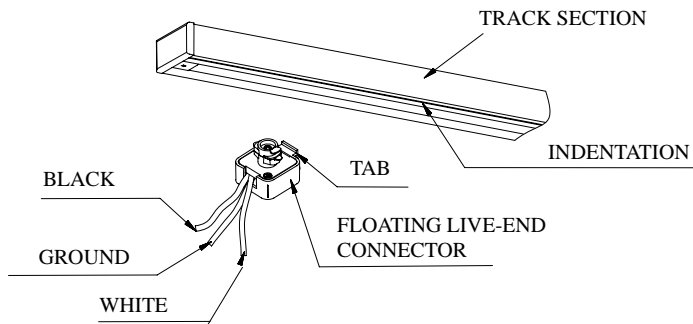


FIG. 2

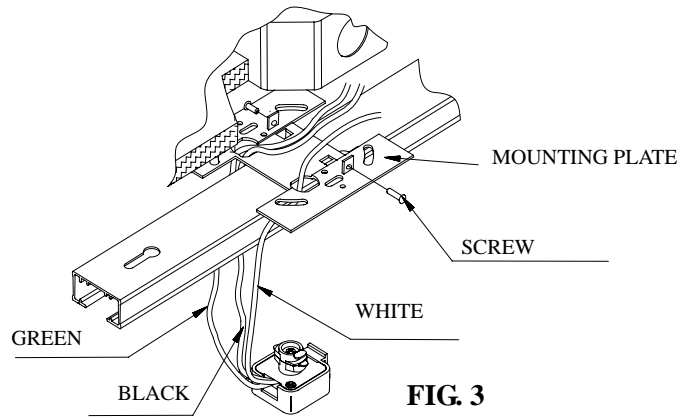


FIG. 3

### STEP 3: ELECTRICAL CONNECTIONS

1. When removing the supply wires from the ceiling outlet box the white supply and green (or bare copper) ground wire should be on one side of the track and the black supply wire should be on the other.
2. Connect the white wire (neutral or common) from the supply circuit to the white wire from the floating live-end connector. Connect the black (hot) wire from the supply circuit to the black wire from the floating live-end connector. Connect the green or bare copper ground wire from the supply circuit to the green conductor of the floating live-end connector. Secure splices with UL Listed wire connectors suitable for the size, type and number of conductors. (see Figure4.)
3. Carefully push the leads into the ceiling outlet box. Tighten the toggle bolts and attach the plastic floating live-end connector canopy with the screws provided.

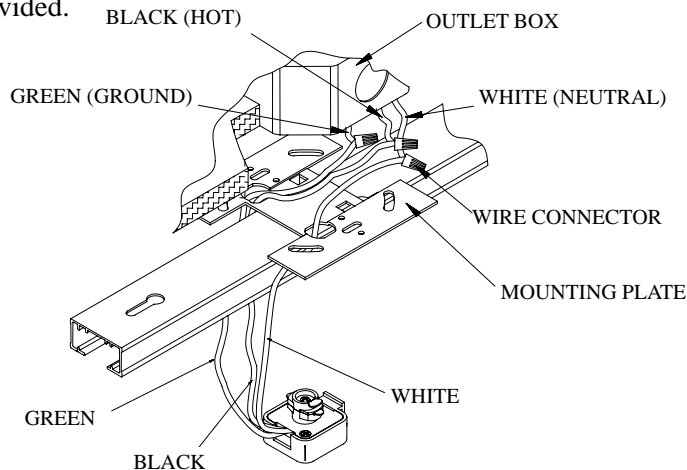


FIG. 4

### STEP 4: ATTACH TRACK TO CEILING

Please Note: If you are connecting 2 track sections together start with Point #1(Not provided on all models), otherwise start with Point#2.

1. Using the straight connector – **IMPORTANT:** Determine ground side of track (has indented groove on face and two internal copper bars) and connector (side of connector with two metal tabs).Can only be assembled if grounds are aligned.
  - a. Loosen set screw on end cap at appropriate track ends and remove. Loosen set screws on connector.
  - b. Aligning the ground sides of the track and connector, push the connector into open ends of track. Tighten set screws.(see figure 5)
2. Raise the track assembly to the ceiling. Mark the mounting holes locations with a pencil. Insure the floating live-end connector body is positioned over the ceiling outlet box.
3. Drill holes suitable for the fasteners you will be using. Toggle bolts supplied with the track requires 5/8 inches hole.
4. Insert the toggle bolts through the holes near the ends of the track. Screw bolts into the toggle wings two or three turns.
5. Push toggle bolts into the holes drilled into the ceiling and tighten toggle bolts until the track is about 1/4 inch from the ceiling. Do not fully tighten toggle bolts until after electrical connections are made.

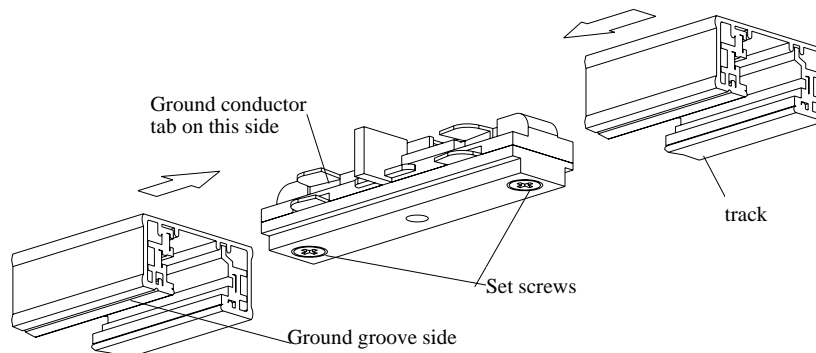
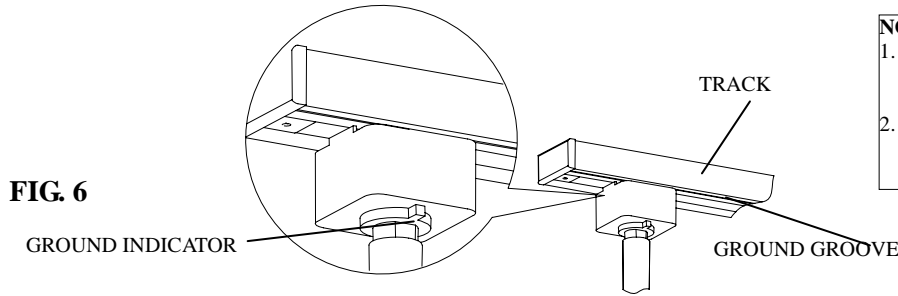


FIG. 5

## STEP 5: INSTALLATION AND REMOVAL OF TRACK HEAD (REFER TO Fig.6)



### NOTICE:

1. CONNECTOR IS DESIGNED TO LOCK INTO TRACK SECTION BY TURNING CONNECTOR IN ONE DIRECTION ONLY.
2. TURN "GROUND INDICATOR" TAB TOWARDS THE GROUND GROOVE ON TRACK TO ALIGN GROUND TAB WITH GROUND CONDUCTOR.

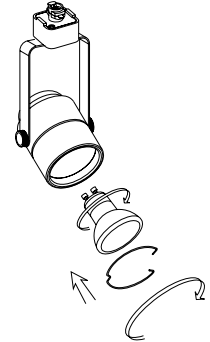
FIG. 6

### INSTALLATION

1. Push the top portion of the head adapter into the slot of the track section.
2. Pull down the adapter's locking tab.
3. Turn "Ground Indicator" tab towards the ground groove on track to align ground tab with ground conductor.
4. Adapter can move to any position along the track section. Lighting fixture will adjust to any position.

### REMOVAL

1. Pull down the adapter's locking tab.
2. At the same time, rotate the adapter 90 degrees and remove from track.



## STEP 6: INSTALLING NEW BULB OR RELAMPING

1. Turn the power off. Make sure that the bulb is cool before re-lamping the fixture.
2. Pull down on the track head adapter sleeve and twist fixture a 1/4 turn.
3. Unscrew the spring clip.
4. Push in slightly and twist the bulb to unplug it from the socket.
5. Replace with new bulb and install the spring clip.
6. Replace the track head onto the track. Pull down the adapter sleeve and twist fixture a 1/4 turn.

**CAUTION:** Please refer to the re-lamping label located on the fixture for recommended maximum wattage.

### TROUBLE SHOOTING:

Problem	Possible Cause	Corrective Action
Light Bulb will not illuminate.	1. Light bulb is burned out.	1. Replace light bulb.
	2. Power is off.	2. Make sure power supply is on.
	3. Faulty wire connection.	3. Check wiring.
	4. Faulty switch.	4. Test or replace switch.
Fuse blows or circuit breaker trips when light bulb is illuminated.	Crossed wires or power wire is grounding out.	Check wire connections.

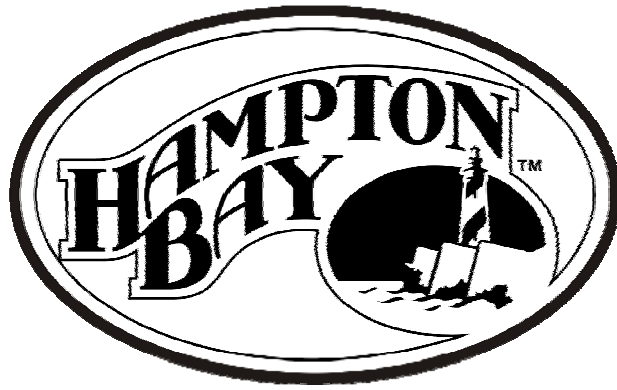
### PRODUCT MAINTENANCE:

1. To clean the fixture, first disconnect power to the fixture by turning off the circuit breaker or by removing the fuse at the fuse box.
2. Use a dry or slightly dampened clean cloth (use clean water, never use a solvent) to wipe the interior and exterior surfaces of the fixture.
3. Allow the fixture to dry completely before power is restored.

**CAUTION:** Do not use chemical solvents or harsh abrasives to clean fixture as damage to the fixture or various components may occur remedying the fixture inoperable.

### LIMITED WARRANTY

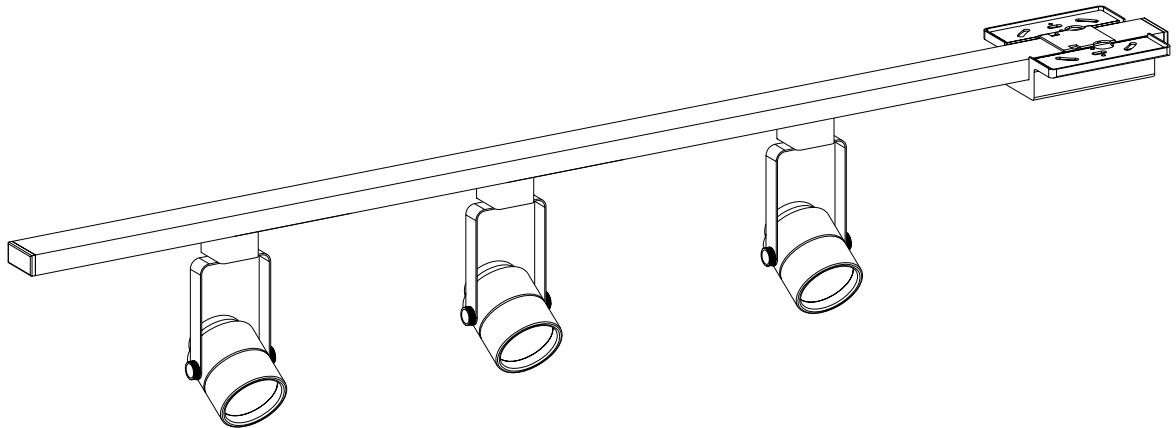
The manufacturer warrants this lighting fixture to be free from defects in materials and workmanship for a period of five (5) years from date of purchase. This warranty applies only to the original consumer purchaser and only to products used in normal use and service. If this product is found to be defective, the manufacturer's only obligation, and your exclusive remedy, is the repair or replacement of the product at the manufacturer's discretion, provided that the product has not been damaged through misuse, abuse, accident, modifications, alterations, neglect or mishandling. This warranty shall not apply to any product that is found to have been improperly installed, set-up, or used in any way not in accordance with the instructions supplied with the product. This warranty shall not apply to a failure of the product as a result of an accident, misuse, abuse, negligence, alteration, or faulty installation, or any other failure not relating to faulty material or workmanship. This warranty shall not apply to the finish on any portion of the product, such as surface and/or weathering, as this is considered normal wear and tear. The manufacturer does not warrant and specially disclaims any warranty, whether express or implied, of fitness for a particular purpose, other than the warranty contained herein. The manufacturer specifically disclaims any liability and shall not be liable for any consequential or incidental loss or damage, including but not limited to any labor/expense costs involved in the replacement or repair of said product.



# **MANUEL D'INSTRUCTIONS** **Éclairage linéaire triple sur rail**

**Fini noir**  
**Fini blanc**

**Home Depot UGS 724-491 (CUP 008938101325)BK**  
**Home Depot UGS 142-780 (CUP 008938101318)WH**



Merci d'avoir acheté cet appareil d'éclairage sur rail rigide de Hampton Bay. Cet article a été fabriqué selon les normes de sécurité et de qualité les plus rigoureuses.

## CARACTÉRISTIQUES :

1. Cet éclairage linéaire sur rail comprend une section de rail de 1,12 m (44 po), une monture libre, une connecteur droit (pour BK) et trois projecteurs.
2. Les projecteurs sont multidirectionnels et éclairent les endroits difficiles à atteindre.
3. Cet éclairage sur rail peut être installé au mur ou au plafond.
4. L'alimentation électrique libre a été conçue pour assurer l'alimentation en tout point du rail.

## QUESTIONS, PROBLÈMES, PIÈCES MANQUANTES :

Avant de vous présenter à votre magasin Home Depot, veuillez communiquer avec le service à la clientèle au 1 877 527-0313 ou consulter le [www.homedepot.com](http://www.homedepot.com). Veuillez mentionner ou l'UGS (724-491 ou 142-780) ou le CUP (008938101325 ou 008938101318).

## GÉNÉRAL :

1. Veuillez lire ces instructions d'installation et passer en revue les diagrammes de façon approfondie avant d'installer le système de rail.
2. Tous les branchements électriques doivent être conformes aux codes locaux et au Code national de l'électricité. En cas de doute quant aux méthodes d'installation de câblage électrique, réserver les services d'un électricien accrédité qualifié.
3. Avant d'entamer l'installation, débrancher l'alimentation électrique en fermant le disjoncteur ou en retirant le fusible approprié dans la boîte à fusibles. Couper l'alimentation électrique en éteignant l'interrupteur mural est insuffisant pour prévenir les chocs électriques.

**Remarque :** Les mesures de sécurité et instructions de ce manuel ne sont pas destinées à couvrir toutes les conditions et situations possibles. Le bon sens, la prudence et les précautions sont des qualités qui ne peuvent être intégrées à aucun produit. Il incombe à la personne qui installe et utilise l'appareil d'éclairage d'agir en fonction de ces qualités. Si, à un moment ou à un autre, vous êtes incertain de la démarche à adopter, veuillez communiquer avec un électricien agréé qualifié pour obtenir de l'assistance.

## CONSIGNES DE SÉCURITÉ IMPORTANTES

LORS DE L'INSTALLATION OU DE L'UTILISATION DE CET ÉCLAIRAGE SUR RAIL, DES MESURES DE SÉCURITÉ ÉLÉMENTAIRES DOIVENT TOUJOURS ÊTRE RESPECTÉES, NOTAMMENT :

1. Bien lire toutes les instructions. Conserver ces instructions et les consulter dans l'éventualité d'ajouts ou de modifications apportés au rail d'éclairage.
2. Ne pas installer ce système d'éclairage dans un endroit humide ou mouillé.
3. Avant d'alimenter l'appareil, s'assurer que le système d'éclairage ne touche aucun matériau qui pourrait causer un court-circuit et vérifier tous les branchements électriques afin d'être certain qu'ils sont bien serrés.
4. N'installer aucune pièce du système (rail) à moins de 2,13 m (7 pi) du sol.
5. N'installer aucune lampe à moins de 15,24 cm (6 po) de tout rideau ou autre matière combustible similaire.
6. Pour une installation avec un rail de la série EC seulement.
7. ATTENTION – Afin de réduire les risques de brûlure au cours du changement d'une ampoule, retirer du rail avant de changer l'ampoule.
8. Cet éclairage sur rail n'est pas conçu pour être utilisé avec une rallonge ou un adaptateur de prise polyvalent.
9. Cet éclairage sur rail doit être alimenté par un circuit de 120 V à branchement simple.
10. Le rail ne doit pas être suspendu par une tige ou un câble.
11. Les vis de montage doivent être fixées le long du rail, dans les trous prévus à cette fin.
12. Couper le courant avant d'ajouter à la configuration du rail ou de la modifier.
13. Ne pas tenter d'alimenter d'appareil électrique autre que des projecteurs ou des accessoires pour rail d'éclairage de série EC sur le rail. Pour réduire les risques d'incendie et d'électrocution, n'essayez pas de brancher des outils électriques, rallonges électriques, appareils ménagers et autres articles semblables sur le rail.
14. ATTENTION : La lampe est chaude lorsqu'elle est allumée! Ne jamais toucher l'ampoule. Utiliser un linge doux car l'huile de la peau peut endommager l'ampoule.
15. MISE EN GARDE – Surface chaude! Tenir éloigné des rideaux ou de toute autre matière combustible.
16. L'ampoule devient chaude rapidement! Ne brancher la lampe qu'au moment de l'allumer. Ne pas toucher à la lentille chaude de lampe.

## CONSERVER CES INSTRUCTIONS

### OUTILS REQUIS POUR L'ASSEMBLAGE ET L'INSTALLATION (non compris) :



Escabeau



Lunettes de sécurité



Pince à dénuder



Gants



Tournevis plat



Tournevis cruciforme



Ruban isolant

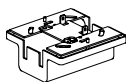


Perceuse



Mèche de 0,64 cm (1/4 po) (méthode 1) ou 1,59 cm (5/8 po) (méthode 2)

### PIÈCES COMPRISES POUR L'ASSEMBLAGE (les pièces ne sont pas à l'échelle) :



1 monture



2 boulons à ailettes



1 rail linéaire de 1,12 m (44 po)



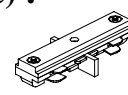
3 ampoules protégées GU10



1 matériel de fixation

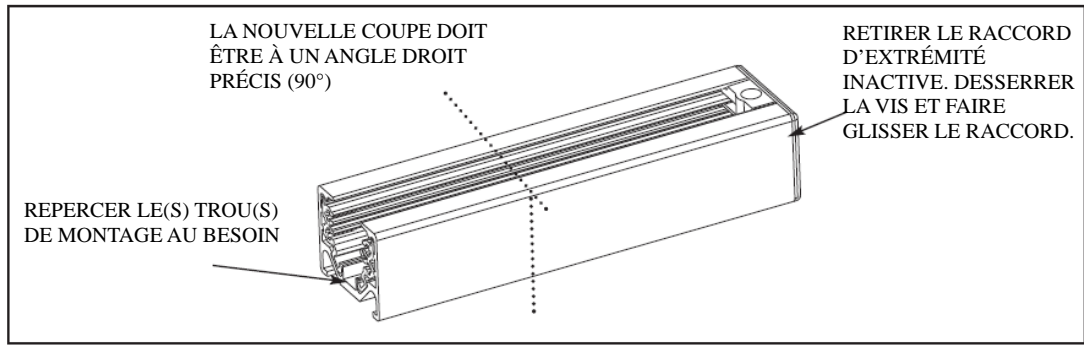


3 projecteurs



1 connecteur droit

## COUPE SUR PLACE DU RAIL À DES LONGUEURS SPÉCIFIQUES (FACULTATIF) :



**Remarque :** Il est recommandé d'effectuer la coupe à partir de l'extrémité inactive du rail.

1. Retirer le raccord d'extrémité inactive et tirer les isolateurs et les barres omnibus en cuivre jusqu'à ce qu'ils arasent ou soient de niveau avec l'extrémité du rail.
2. À l'aide d'une scie à métaux, couper cette extrémité (celle avec les isolateurs et les barres omnibus de niveau avec l'extrémité) à la longueur désirée. S'assurer de laisser 3 mm (1/8 po) pour le raccord d'extrémité inactive, qui devra être remis en place sur l'extrémité coupée.
3. Retirer toutes les ébarbures du rail, des isolateurs et des barres omnibus en cuivre.
4. Pousser les barres omnibus dans les isolateurs pour les positionner à 9,52 mm (3/8 po) de l'extrémité des isolateurs.

**Remarque :** Une fois l'étape 4 complétée, les barres omnibus devraient être à une distance strictement comprise entre 9,5 mm (3/8 po) et 12,7 mm (1/2 po) de chaque extrémité de l'isolateur. Si tel n'est pas le cas, apporter les modifications requises.

5. Réinstaller le raccord d'extrémité inactive et/ou le connecteur d'alimentation approprié puis serrer la vis.

**ATTENTION:** Après avoir coupé le rail, vérifier que chaque section de rail de 1,22 m (4 pi) ou moins de longueur présente une ouverture de montage espacée d'au plus 15,24 cm (6 po) de chaque section d'extrémité de rail. Une section du rail dépassant 1,22 m (4 pi) de longueur doit avoir des ouvertures de montage à une distance d'au plus 300 mm (12 po) de chaque extrémité du rail, avec des ouvertures supplémentaires au moins à chaque 1,22 m (4 pi) sur toute la longueur de la section de rail. Des ouvertures supplémentaires à chaque 1,22 m (4 pi) sur la longueur du rail peuvent être ajoutées au besoin.

## SI DES TROUS DE MONTAGE SUPPLÉMENTAIRES SONT REQUIS (FACULTATIF) :

1. Situer le(s) trou(s) de montage désiré(s) sur l'intérieur de la section de rail, le long de la ligne centrale.
2. À l'aide d'une mèche de 4,8 mm (3/16 po), percer un trou dans le profilé du rail.

**ATTENTION:** Faire attention de ne pas endommager les isolateurs des barres omnibus pendant le perçage. Si des isolateurs subissent des dommages, jeter la section de rail. Pour prévenir les risques d'incendie ou de blessure corporelle, NE PAS UTILISER DE RAILS DONT L'ISOLATEUR A ÉTÉ ENDOMMAGÉ.

3. Enlever toutes les ébarbures et installer le rail tel que décrit plus haut.

## INSTRUCTIONS D'INSTALLATION (TELLES QU'ILLUSTRÉES DANS LE DIAGRAMME) :

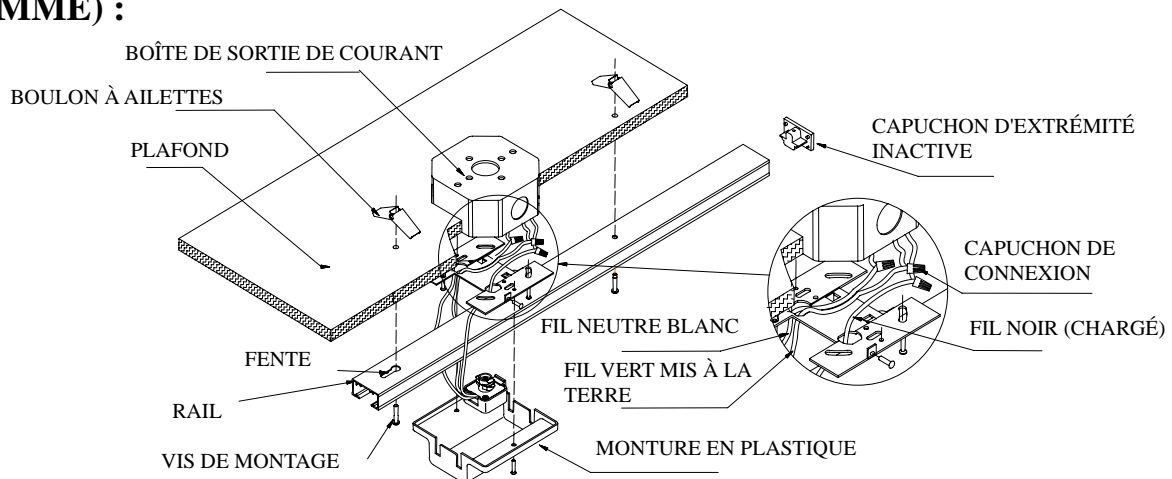


FIG. 1

## ÉTAPE 1 : BRANCHEMENT DU CONNECTEUR D'EXTRÉMITÉ SOUS TENSION FLOTTANT AU RAIL

1. La section du rail et le connecteur d'extrémité sous tension flottant doivent être assemblés de façon à conserver la polarité entre les connecteurs. **REMARQUE :** Le connecteur d'extrémité sous tension flottant est muni d'une languette d'un côté tandis que le rail possède une encoche qui fait toute la longueur du profilé du rail (voir Figure 2). Aligner la languette du connecteur d'extrémité sous tension flottant avec l'encoche du rail et insérer le connecteur dans le profilé du rail de sorte que la base du connecteur vienne parfaitement s'appuyer contre le rail. Tourner le connecteur dans le sens horaire un quart de tour de sorte que le connecteur soit bien serré contre le rail.

**ATTENTION :** Lorsque le connecteur d'extrémité sous tension flottant est tourné en position, assurez-vous que les deux languettes en cuivre à la base du connecteur sont alignées avec les deux barres en cuivre à l'intérieur du rail dans le but de maintenir la polarité.

2. Le connecteur d'extrémité sous tension flottant doit être placé à un endroit sur le rail où il sera aligné avec la boîte de sortie de courant, une fois le rail installé. Le connecteur d'extrémité sous tension flottant doit être à l'intérieur de la monture en plastique qui doit couvrir la boîte de sortie de courant. La monture en plastique ne devrait pas



couvrir les trous de fixation du rail. La monture en plastique se fixe à la traverse à l'aide des deux vis, une fois les connexions électriques effectuées.

## ÉTAPE 2 : FIXATION DE LA TRAVERSE AU RAIL

Placer la traverse sur l'envers de la section de rail de façon à ce que les vis à pression de la traverse passent par dessus les arêtes de chaque côté du rail. La mise à la terre sera donc assurée. Centrer la traverse avec le connecteur d'extrémité sous tension flottant précédemment installé et resserrer les vis à pression des deux côtés du rail. Faire passer les fils du connecteur d'extrémité sous tension flottant par le trou de la traverse puis dans la boîte de sortie de courant du plafond. (Voir Figure 3)

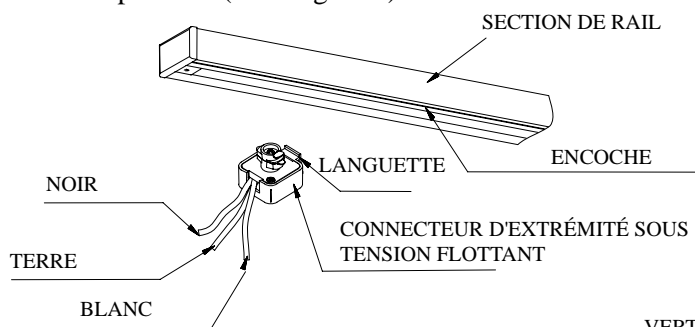


FIG. 2

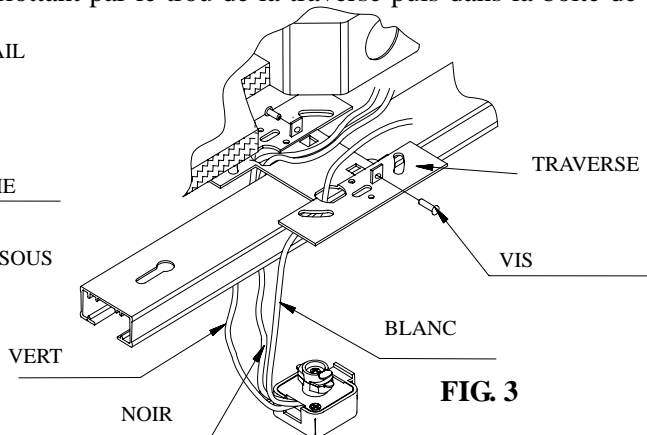


FIG. 3

## ÉTAPE 3: CONNEXIONS ÉLECTRIQUES

1. Lorsque les fils d'alimentation sont sortis de la boîte de sortie au plafond, le fil d'alimentation blanc et le fil de mise à la terre vert (ou de cuivre nu) devraient être d'un côté du rail et le fil d'alimentation noir devrait être de l'autre côté.
2. Relier le fil blanc (neutre ou ordinaire) du circuit d'alimentation au fil blanc du connecteur d'extrémité sous tension flottant. Relier le fil noir (chargé) du circuit d'alimentation au fil noir du connecteur d'extrémité sous tension flottant. Relier le fil de mise à la terre vert ou de cuivre nu du circuit d'alimentation au conducteur vert du connecteur d'extrémité sous tension flottant. Sécuriser les épissures avec des capuchons de connexion homologués UL qui conviennent aux format, type et nombre de conducteurs. (voir Figure 4)
3. Pousser doucement les connexions dans la boîte de sortie de courant au plafond. Resserrer les boulons à ailettes et fixer la monture en plastique du connecteur d'extrémité sous tension flottant avec les vis fournies.

## ÉTAPE 4: FIXATION DU RAIL AU PLAFOND

Veuillez noter : Si vous reliez ensemble 2 sections de rail, commencez par le numéro 1 (non fourni sur certains modèles); autrement, commencez par le numéro 2.

1. À l'aide du raccord droit – **IMPORTANT**: Déterminez quelle extrémité du rail est pour le fil de terre (présente une rainure dentelée sur une face et deux barres de cuivre internes) et quelle extrémité sert pour le connecteur (le côté du connecteur comporte deux pattes de métal). Ne peuvent être assemblées que si les composants de terre (pattes et rainures de terre) sont alignés.
  - a. Desserrez la vis de calage de la garniture de bout aux extrémités appropriées des rails et retirez la garniture. Desserrez les vis de calage du connecteur.
  - b. Tout en alignant les deux extrémités de terre du rail avec le connecteur, poussez le connecteur dans les extrémités ouvertes du rail. Serrez les vis de calage. (Voir figure 5)
2. Soulever le rail vers plafond. Marquer les trous de montage à l'aide d'un crayon. S'assurer que le corps du connecteur d'extrémité sous tension flottant est placé par-dessus la boîte de sortie de courant du plafond.
3. Percer des trous convenant aux fixations qui seront utilisées. Les boulons à ailettes fournis avec le rail nécessitent des trous de 1,59 cm (5/8 po).
4. Insérer les boulons à ailettes dans les trous près des extrémités du rail. Tourner deux ou trois fois les ailettes des boulons.
5. Pousser les boulons à ailettes dans les trous percés dans le plafond et resserrer les ailettes jusqu'à ce que le rail soit à environ à 0,64 cm (1/4 po) du plafond. Ne serrer pas entièrement les boulons à ailettes jusqu'à ce que les connexions électriques soient effectuées.

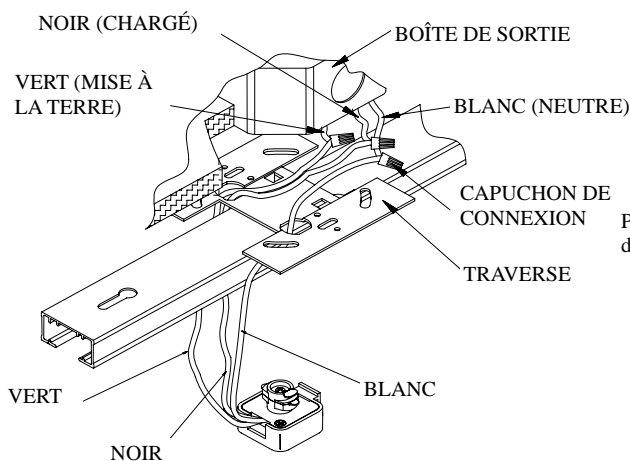


FIG. 4

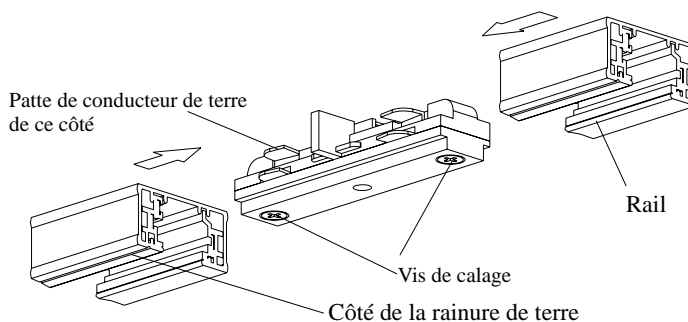
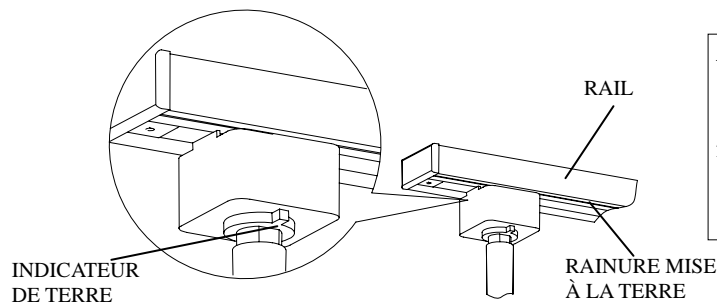


FIG. 5

## ÉTAPE 5 : INSTALLATION ET RETRAIT DES PROJECTEURS (VOIR FIG. 6)



- AVIS :**
1. LE CONNECTEUR EST CONÇU POUR NE SE VERROUILLER DANS LE RAIL QUE QUAND IL EST TOURNÉ DANS UN SENS.
  2. TOURNER LA LANGUETTE DE «L'INDICATEUR DE TERRE» VERS LA RAINURE MISE À LA TERRE DU RAIL POUR ALIGNER LA LANGUETTE MISE À LA TERRE AVEC LE CONDUCTEUR MIS À LA TERRE.

**FIG. 6**

### INSTALLATION

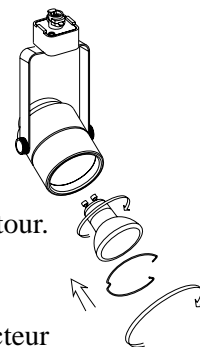
1. Enfoncer la partie supérieure de l'adaptateur de projecteur dans la fente de la section de rail.
2. Tirer la languette de verrouillage de l'adaptateur vers le bas.
3. Tourner la languette de l'«indicateur de terre» vers la rainure mise à la terre sur le rail pour aligner la languette mise à la terre avec le conducteur mis à la terre.
4. L'adaptateur peut être placé n'importe où sur la section de rail. Le projecteur fonctionnera quelle que soit la position de l'adaptateur.

### RETRAIT

1. Tirer la languette de verrouillage de l'adaptateur vers le bas.
2. Tout en tirant sur la languette, faire tourner l'adaptateur de 90 degrés puis le retirer du rail.

## ÉTAPE 6 : REMPACEMENT DE L'AMPOULE

1. Couper l'alimentation au système. S'assurer que l'ampoule est froide avant de la changer.
2. Tirer le manchon de l'adaptateur du projecteur vers le bas et tourner le projecteur d'un quart de tour.
3. Dévissez le clip à ressort.
4. Appuyer légèrement sur l'ampoule et la tourner pour la dévisser de la douille.
5. Remplacez par la nouvelle ampoule et installez le clip à ressort.
6. Replacer le projecteur sur le rail. Tirer le manchon de l'adaptateur vers le bas et tourner le projecteur d'un quart de tour.



**ATTENTION:** Se référer à l'étiquette de changement de l'ampoule située sur le projecteur pour connaître la puissance maximale recommandée.

### DÉPANNAGE :

Problème	Cause possible	Solution
L'ampoule ne s'allume pas.	1. L'ampoule est grillée.	1. Remplacer l'ampoule.
	2. Le courant est coupé.	2. S'assurer que l'alimentation est sous tension.
	3. Mauvais branchement.	3. Vérifier le câblage.
	4. L'interrupteur est défectueux.	4. Vérifier ou remplacer l'interrupteur.
Le fusible grille ou le disjoncteur se déclenche lorsque l'ampoule est allumée.	Un circuit ou un fil d'alimentation n'est pas mis à la terre.	Vérifier les branchements.

### ENTRETIEN :

1. Pour nettoyer l'appareil d'éclairage, couper d'abord le courant en déclenchant le disjoncteur ou en retirant le fusible dans la boîte à fusibles.
2. Puis, à l'aide d'un linge propre, sec ou légèrement humide (avec de l'eau propre, jamais de solvant), essuyer les surfaces intérieure et extérieure de l'appareil d'éclairage.
3. Laisser sécher complètement l'appareil avant de le remettre sous tension.

**ATTENTION :** Ne pas utiliser de solvants chimiques ou d'abrasifs pour nettoyer l'appareil d'éclairage, car cela pourrait causer des dommages le rendant inutilisable.

## GARANTIE LIMITÉE

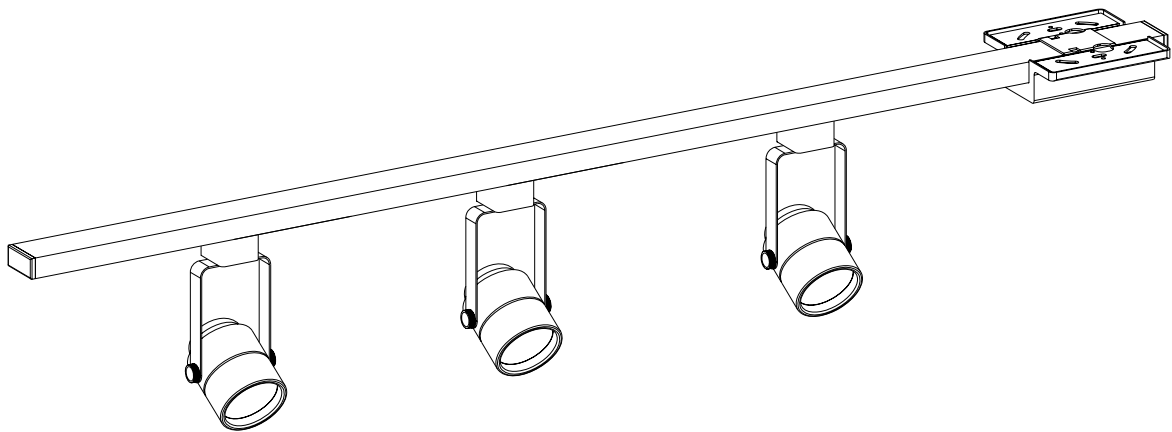
Le fabricant garantit que ce produit sera exempt de défaut de fabrication et de matériaux pendant une période de cinq (5) ans à compter de la date d'achat. Cette garantie ne vise que l'acheteur original et uniquement un usage et un entretien normaux des produits. Si ce produit est défectueux, la seule obligation du fabricant, et votre seul recours, est de remplacer ou de réparer le produit, au choix du fabricant, pourvu que le produit n'ait pas été endommagé par une utilisation inadéquate ou abusive, par un accident, une modification, une altération, la négligence ou une mauvaise manipulation. Cette garantie ne s'applique pas à un produit qui est déclaré avoir mal été installé, posé ou utilisé d'une façon non conforme aux instructions qui l'accompagnent. Cette garantie ne s'applique pas à un défaut du produit qui découle d'un accident, d'un mauvais usage, d'un usage abusif, d'une négligence, d'une modification ou d'une installation incorrecte, ou à tout défaut étranger à un défaut de matériaux ou de fabrication. Cette garantie ne s'applique pas au fini de toute partie du produit, comme la surface, ni à l'altération par le climat, puisqu'il s'agit d'une usure normale. Le fabricant ne garantit aucunement, et réfute expressément toute garantie, explicite ou tacite, d'adaptation à un usage particulier autre que celui exprimé aux présentes. Le fabricant réfute expressément toute responsabilité et ne peut être tenu responsable de toute perte ou de tout dommage indirect ou accessoire, y compris mais non de façon limitative, tous les frais de main-d'œuvre ou autres encourus pour le remplacement ou la réparation dudit produit.



**MANUAL DE INSTRUCCIONES**  
**Kit de 3 Luces de Riel Lineal**

**Acabado Negro**  
**Acabado Blanco**

**Home Depot SKU 724-491(UPC008938101325)BK**  
**Home Depot SKU 142-780(UPC008938101318)WH**



Gracias por comprar este kit de riel rígido para interiores, de Hampton Bay. Este producto se ha fabricado con las normas de seguridad y calidad más altas.

## CARACTERÍSTICAS:

1. Este kit de riel lineal incluye una sección de riel de 1,12 m, una cubierta flotante, una conector recto(para BK) y 3 Cabezales de Riel.
2. Los cabezales son multidireccionales para iluminar mejor los espacios de difícil acceso.
3. Este kit de riel puede montarse en la pared o en el techo.
4. El diseño de la fuente de energía flotante le permite dar energía desde cualquier punto a lo largo del sistema de riel.

## PREGUNTAS, PROBLEMAS O PIEZAS FALTANTES:

Antes de volver a The Home Depot, por favor llama a nuestro Equipo de Servicio al Cliente al 1-877-527-0313 o visita [www.homedepot.com](http://www.homedepot.com). Por favor usa como referencia tu núm. de SKU 724-491, UPC 008938101325 o SKU 142-780, UPC 008938101318.

## INDICACIONES GENERALES:

1. Asegúrate de leer estas instrucciones de instalación y revisa los diagramas minuciosamente antes de instalar el sistema de rieles.
2. Todas las conexiones se deben hacer conforme con el Código Nacional de Electricidad y con los códigos de electricidad locales. Si no estás familiarizado con los métodos de instalación del cableado eléctrico, contrata los servicios de un electricista certificado y calificado.
3. Antes de empezar la instalación corta el suministro de electricidad, apagando el cortacircuitos o retirando el fusible correspondiente en la caja de fusibles. Cortar el suministro de electricidad usando el interruptor de luz no es suficiente para evitar una descarga eléctrica.

**Nota:** Las advertencias e instrucciones incluidas en este manual no tienen la intención de describir todas las posibles condiciones o situaciones. El usuario debe entender que ningún producto está diseñado para sustituir el sentido común, la precaución y la cautela. La responsabilidad de adoptar tales conductas reside enteramente en la(s) persona(s) que utiliza(n), instala(n) o está(n) a cargo de la pieza. Si en algún momento te sientes incómodo o no estás seguro de qué hacer, contacta a un electricista calificado y certificado para obtener ayuda.

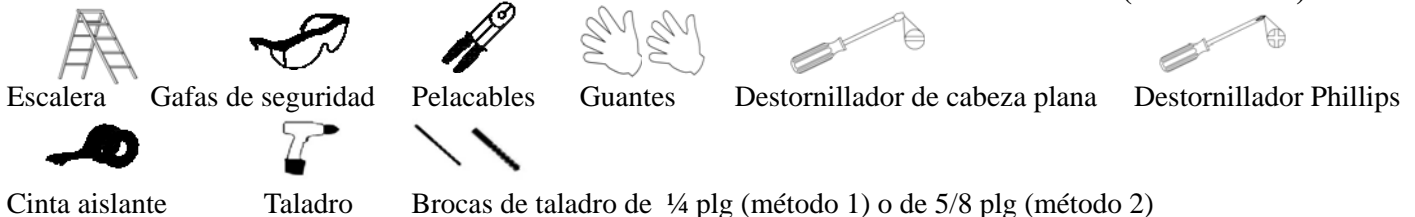
## INSTRUCCIONES DE SEGURIDAD IMPORTANTES

DURANTE LA INSTALACIÓN O USO DE ESTE SISTEMA DE RIELES, SE DEBEN TOMAR PRECAUCIONES BÁSICAS DE SEGURIDAD INCLUIDAS LAS SIGUIENTES:

1. Lee todas las instrucciones. Guarda estas instrucciones y consúltalas cuando hagas cambios o cuando amplíes la configuración del riel.
2. No instales este sistema de iluminación en un lugar húmedo.
3. Antes de dar energía, asegúrate de que no haya ningún material en el sistema de iluminación que pueda causar un cortocircuito directo y verifica que todas las conexiones eléctricas estén seguras.
4. No instales partes de este sistema (RIEL) a menos de 7 pies (2,2 m) sobre el piso.
5. No instales lámparas a menos de 6 pulgadas (15,25cm) de distancia de cortinas o material combustible similar.
6. Sólo para instalación con un riel de la serie EC.
7. **PRECAUCIÓN** – Para disminuir el riesgo de quemaduras durante el cambio de las bombillas, desmonta la lámpara del riel antes de cambiar la bombilla.
8. Este sistema de riel no está diseñado para funcionar con un cable de alimentación o un adaptador de receptáculo común.
9. Este sistema de riel debe recibir energía de un solo circuito derivado de 120 voltios.
10. Este riel no debe colgarse de un tubo o un cable.
11. Los tornillos de montaje deben montarse a lo largo del riel en las ranuras tipo ojo de cerradura incluidas.
12. Desconecta la electricidad antes de agrandar el riel o modificar su configuración.
13. Sólo debes conectar a la electricidad los componentes en el riel o luces de rieles de la serie EC. Para evitar riesgo de incendios y descargas eléctricas, no intentes conectar herramientas eléctricas, cables de extensión, electrodomésticos, etc. al sistema de riel.
14. **PRECAUCIÓN:** ¡La lámpara se calienta! No toques la bombilla en ningún momento. Usa un paño suave, la grasa de la piel puede dañar la lámpara.
15. **PRECAUCIÓN** – Superficie caliente, mantener alejado de las cortinas y otros materiales combustibles.
16. ¡La lámpara se calienta rápidamente! Sólo toca el interruptor o enchufe para encender. No toques los cristales de la lámpara cuando estén calientes.

## GUARDA ESTAS INSTRUCCIONES

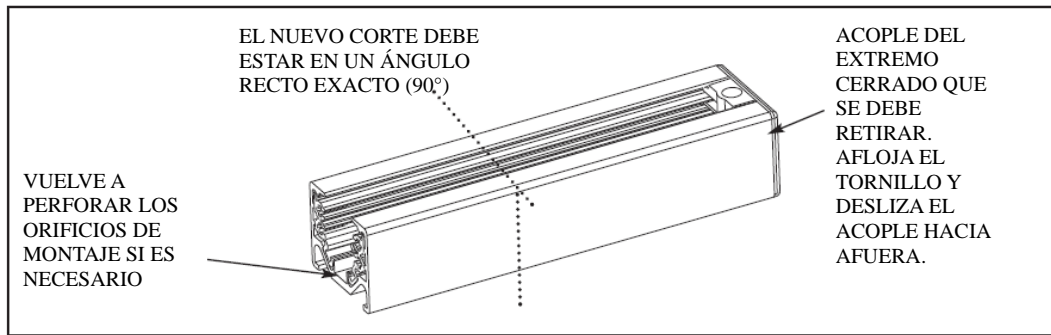
### HERRAMIENTAS NECESARIAS PARA EL ENSAMBLAJE E INSTALACIÓN (no incluidas):



### PIEZAS INCLUIDAS PARA EL ENSAMBLAJE (no se muestran a escala):



## RIEL DE CORTE DE ÁREA PARA LONGITUDES ESPECIALES (OPCIONAL):



**Nota:** El corte se debe realizar preferiblemente desde el extremo cerrado del riel.

1. Quita el acople del extremo cerrado y tira de la barra de distribución de cobre y los aislantes están al ras o nivelados con el extremo del riel.
2. Con una sierra para metales, corta el extremo al ras (el lado con aislantes y barras de distribución niveladas con el extremo) hasta el largo deseado. Asegúrate de dejar 0,30 cm para el acople del extremo cerrado, el cual se debe volver a instalar en el extremo del riel.
3. Quita todas las asperezas del riel, aislantes y barras de distribución de cobre.
4. Empuja las barras de distribución de cobre hacia los aislantes 0,95 cm desde el extremo de los mismos.

**Nota:** Después de completar el paso 4, los aislantes de la barra de distribución deben estar a un mínimo de 0,95 cm y a un máximo de 1,27 cm de cada extremo del aislante. Si este no es el caso, realiza las modificaciones pertinentes.

5. Vuelve a instalar el extremo cerrado y/o el conector de alimentación apropiado y ajusta el tornillo.

**PRECAUCIÓN:** Después de que el riel haya sido cortado, asegúrate de que cada segmento de 4 pies (1,22 m) o menos tenga una abertura para el montaje a una distancia máxima de 6 plg (150mm) del extremo cada sección de riel. Sólo una de las secciones del riel que mida más de 4 pies (1,22 m) de largo debe tener una abertura de 12 plg (300 mm) para el montaje, como máximo, desde cada extremo del riel con aberturas adicionales cada 4 pies (1,22 m) a lo largo de todo el riel. Las aberturas adicionales cada 4 pies (1,22 m) a lo largo de la sección del riel se deben agregar según sea necesario.

### SI SE NECESITAN ORIFICIOS DE MONTAJE ADICIONALES (OPCIONAL):

1. Ubica los orificios de montaje deseados en el interior de la sección del riel a lo largo de la línea central.
2. Con una broca para taladro de 3/16 , perfora un orificio a través del canal del riel.

**PRECAUCIÓN:** Ten cuidado de no dañar los aislantes de la barra de distribución al taladrar. Si accidentalmente dañas algún aislante, desecha la sección del riel. Para evitar el riesgo de incendio, o lesiones físicas, **NO TRATES DE USARLO EN EL AISLANTE.**

3. Quita todas las asperezas e instala el riel como se describe anteriormente.

## INSTRUCCIONES DE INSTALACIÓN (COMO SE MUESTRAN EN EL DIAGRAMA):

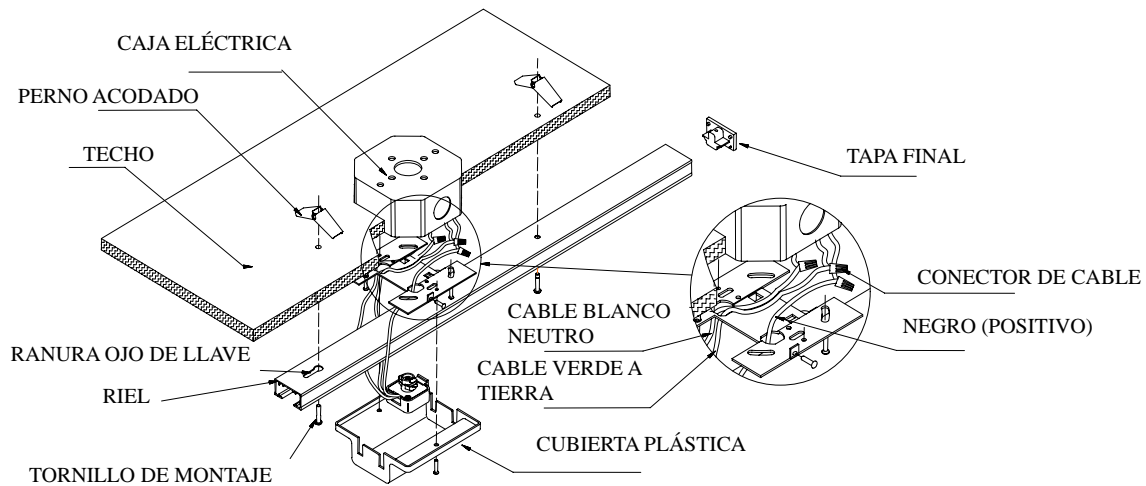


FIG. 1

### PASO 1:

#### CONECTAR AL RIEL EL CONECTOR FLOTANTE DE EXTREMO VIVO

1. El conector flotante de extremo vivo debe conectarse a la sección del riel para mantener la polaridad de los conductores. **NOTA:** El conector mencionado tiene una pestaña en un lado y en el caso del riel, una muesca, la cual corre a lo largo del canal del mismo (Ver Figura 2). Alinea la pestaña del conector con la ranura del riel e inserta el primero en el canal del riel de manera que la base del conector quede a ras con el riel, dale  $\frac{1}{4}$  (un cuarto) de vuelta al conector de izquierda a derecha para fijarlo firmemente al riel.

**PRECAUCIÓN:** Al darle la vuelta al conector flotante de extremo vivo garantizamos que las dos pestañas de cobre en la base del mismo se alineen con las barras de cobre dentro del riel; ello es necesario para mantener la polaridad.

2. El conector flotante de extremo vivo debe colocarse a lo largo del riel de manera que quede alineado con la caja eléctrica después de instalado el riel. El conector debe quedar dentro de la cubierta plástica y además ésta debe ocultar la caja eléctrica. La cubierta plástica no debe cubrir los orificios de montaje del riel. Después de terminar con las conexiones Eléctricas, fija la cubierta plástica a la placa de montaje con 2 tornillos.

## PASO 2: FIJAR LA PLACA DE MONTAJE AL RIEL

Coloca la placa de montaje en el lado posterior de la sección de riel de manera que los tornillos fijados en la placa encajen en los bordes de ambos lados del riel. Ello garantiza la continuidad de la conexión a tierra. Coloca en el centro la placa con el conector flotante de extremo vivo ya instalado y aprieta los tornillos en ambos lados del riel. Pasa los cables del conector mencionado a través del orificio en la placa de montaje y hacia dentro de la caja eléctrica del techo. (Ver figura 3)

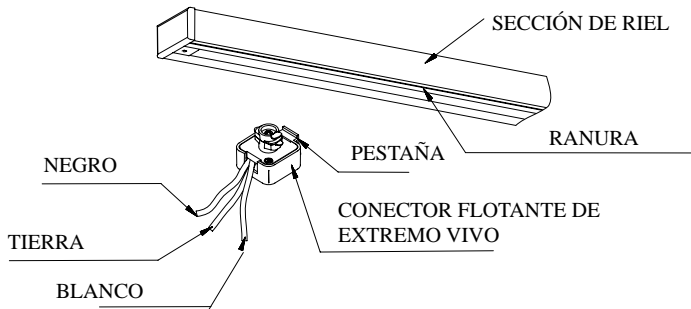


FIG.2

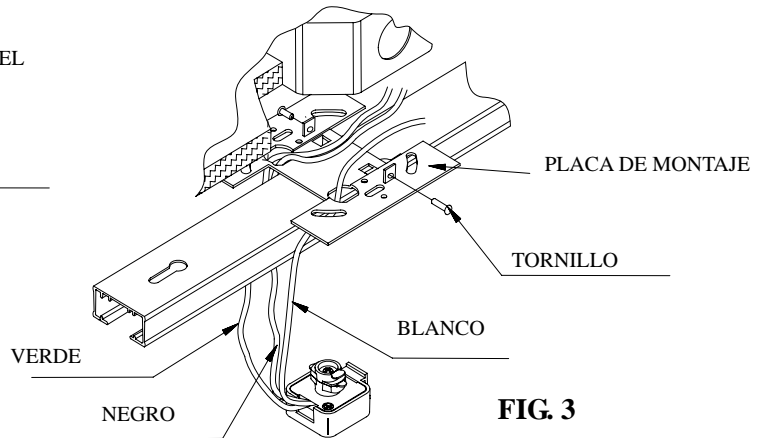


FIG. 3

## PASO 3: CONEXIONES ELÉCTRICAS

1. Al sacar los cables de suministro de la caja eléctrica, el cable blanco y el verde (o de cobre pelado) a tierra deben quedar en un lado del riel y el negro en el otro.
2. Conecta el blanco (neutral o común) del circuito de suministro al blanco del conector flotante de extremo vivo. Conecta el cable negro (vivo) del circuito de suministro al negro del mismo conector. Conecta el cable verde o de cobre pelado a tierra del circuito mencionado al verde del conector. Asegura los empalmes con conectores de cable clasificados por UL, adecuados para el tipo, tamaño y cantidad de conductores. (ver la Figura 24)
3. Empuja con cuidado los terminales dentro de la caja eléctrica del techo. Aprieta los pernos acodados y fija la cubierta plástica del conector flotante de extremo vivo con los tornillos provistos.

## PASO 4: MONTAR EL RIEL AL TECHO

Observe lo siguiente: Si va a conectar 2 secciones de riel entre sí, comience con el punto #1 (no provisto con todos los modelos) o de lo contrario, comience con el punto #2.

1. Usando el conector recto – **IMPORTANTE**: Ubique el lado de conexión de tierra del riel (tiene una ranura y dos barras de cobre internas a tal efecto) y del conector (el lado del conector tiene dos pestañas metálicas). Sólo se puede ensamblar si las conexiones a tierra están alineadas.
  - a. Afloje el tornillo de fijación del capuchón del extremo en los extremos apropiados del riel y retírelo. Afloje los tornillos de fijación del conector.
  - b. Alineando los lados de tierra del riel y el conector, presione el conector hacia los extremos abiertos del riel. Apriete los tornillos de fijación (vea la Figura 5).
2. Alza el ensamblado del riel hasta el techo. Marca con un lápiz los orificios de montaje. Verifica que el conector flotante esté colocado sobre la caja eléctrica del techo.
3. Taladra los orificios necesarios según los fijadores que usarás. Los pernos acodados incluidos con el riel necesitan orificios de 5/8 de pulgadas.
4. Inserta los pernos acodados en los orificios cerca de los extremos del riel. Atornilla los pernos en las aletas acodadas con dos o tres vueltas.
5. Empuja los pernos acodados en los orificios perforados en el techo y apriétalos hasta que el riel quede a 1/4 de pulgada del techo. No aprietes los pernos acodados completamente hasta terminar con las conexiones eléctricas.

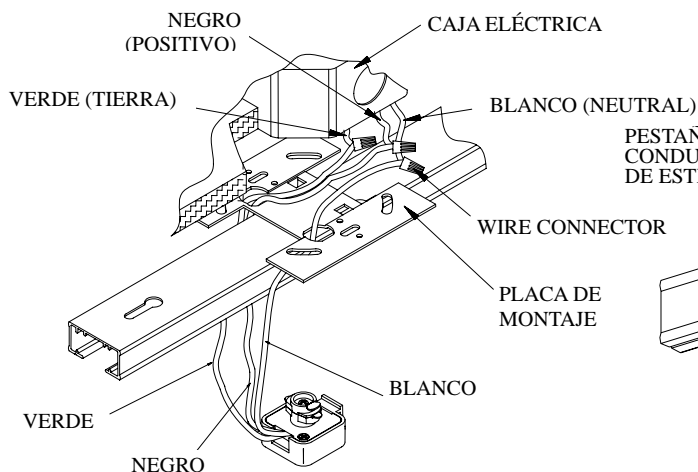


FIG. 4

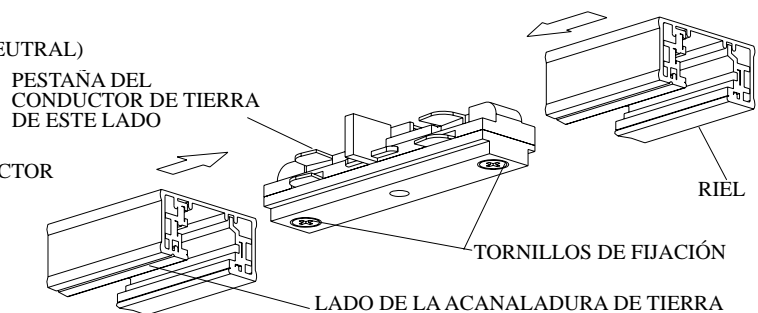
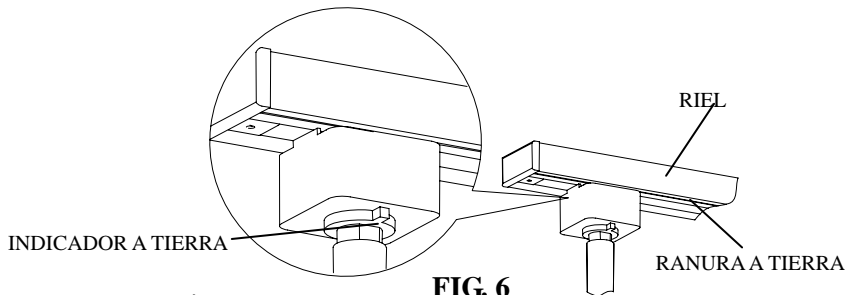


FIG. 5

## PASO 5: INSTALAR Y DESMONTAR EL CABEZAL (VER LA Fig. 6)



NOTA:

1. EL CONECTOR ESTÁ DISEÑADO PARA BLOQUEARSE DENTRO DE LA SECCIÓN DEL RIEL AL GIRAR EL CONECTOR EN UNA DIRECCIÓN SOLAMENTE.
2. GIRA LA PESTAÑA "INDICADOR A TIERRA" HACIA LA RANURA A TIERRA SOBRE EL RIEL PARA ALINEAR LA PESTAÑA A TIERRA CON EL CONDUCTOR A TIERRA.

FIG. 6

### INSTALACIÓN

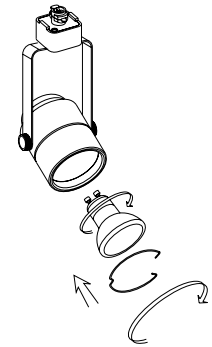
1. Presiona la parte superior del adaptador del cabezal contra la ranura en el riel.
2. Tira de la pestaña de fijación del adaptador.
3. Gira la pestaña de "Indicador a Tierra" hacia la ranura a tierra sobre el riel para alinear la pestaña a tierra con el conductor a tierra.
4. El adaptador se puede mover hasta cualquier posición a lo largo del riel. La lámpara se ajusta a cualquier posición.

### DESMONTAJE

1. Tira de la pestaña de fijación del adaptador.
2. Al mismo tiempo, rota el adaptador 90 grados y retira del riel.

## PASO 6: INSTALAR UNA LÁMPARA O BOMBILLA NUEVA

1. Apaga la corriente. Asegúrate de que la bombilla esté fría antes de cambiarla.
2. Hala la funda del adaptador del cabezal de riel hacia abajo y gira 1/4 de vuelta.
3. Desatornille el resorte.
4. Con cuidado, aprieta y gira la bombilla para soltarla del portabombillas.
5. Sustituya por el nuevo bulbo e instale el resorte.
6. Vuelve a colocar el cabezal en el riel. Hala la funda del adaptador del cabezal de riel hacia abajo y gira la lámpara 1/4 de vuelta.



**PRECAUCIÓN:** Consulta la etiqueta de la lámpara para conocer el vataje máximo recomendado para la bombilla.

### SOLUCIÓN DE PROBLEMAS:

Problema	Causa Posible	Solución
La lámpara no se enciende.	1. La bombilla se fundió.	1. Reemplaza la bombilla.
	2. No hay electricidad.	2. Asegúrate de que la electricidad esté conectada.
	3. Conexión defectuosa del cable.	3. Revisa el cableado.
	4. Interruptor defectuoso.	4. Prueba o reemplaza el interruptor.
El fusible se funde o el cortacircuitos se activa en el momento en que enciendes la luz.	Los cables están cruzados o el cable de alimentación está haciendo tierra.	Revisa las conexiones de cable.

### MANTENIMIENTO DEL PRODUCTO:

1. Para limpiar la lámpara, desconecta primero la electricidad apagando el cortacircuitos o quitando el fusible correspondiente en la caja de fusibles.
2. Usa un paño limpio, seco o ligeramente húmedo (usa sólo agua limpia, nunca un solvente) para limpiar el interior y exterior de la lámpara.
3. Deja secar la lámpara completamente antes de restablecer la electricidad.

**PRECAUCIÓN:** No uses solventes químicos o abrasivos fuertes para limpiar la lámpara porque se puede dañar o los diversos componentes pueden quedar inoperantes.

### GARANTÍA LIMITADA

El fabricante garantiza que esta lámpara no presentará defectos materiales o de fabricación por un período de cinco (5) años a partir de la fecha de compra. Esta garantía es válida sólo para el comprador original y sólo cubre los productos de uso y funciones normales. Si se descubre algún defecto en este producto, la única obligación y solución exclusiva del fabricante, a criterio del mismo, será reparar o reemplazar el producto siempre y cuando el defecto no sea resultado de un mal uso, abuso, accidente, modificaciones, alteraciones, negligencia o manejo indebido. Esta garantía no cubre ningún producto instalado, configurado o usado incorrectamente sin seguir las instrucciones adjuntas al producto. Esta garantía no cubre fallas del producto como consecuencia de un accidente, mal uso, abuso, negligencia, alteración o instalación defectuosa, o cualquier otra falla no relacionada con defectos materiales o de fabricación. Esta garantía no se aplica al acabado de ninguna parte del producto, como por ejemplo la superficie, ni tampoco al deterioro por condiciones ambientales; esto se considera desgaste normal. El fabricante no garantiza y se exime especialmente de cualquier garantía, explícita o implícita, de la capacidad del producto de asumir una función específica, distinta de la indicada en la garantía incluida en la presente. El fabricante se exime específicamente de cualquier obligación y no es responsable de daños o pérdida directa o indirecta, incluidos cualquier costo de mano de obra o gastos relacionados con el reemplazo o reparación de dicho producto.

## Free Manuals Download Website

<http://myh66.com>

<http://usermanuals.us>

<http://www.somanuals.com>

<http://www.4manuals.cc>

<http://www.manual-lib.com>

<http://www.404manual.com>

<http://www.luxmanual.com>

<http://aubethermostatmanual.com>

Golf course search by state

<http://golfingnear.com>

Email search by domain

<http://emailbydomain.com>

Auto manuals search

<http://auto.somanuals.com>

TV manuals search

<http://tv.somanuals.com>