

# HILTI

## TE 2-A18

Operating instructions

en

Mode d'emploi

fr

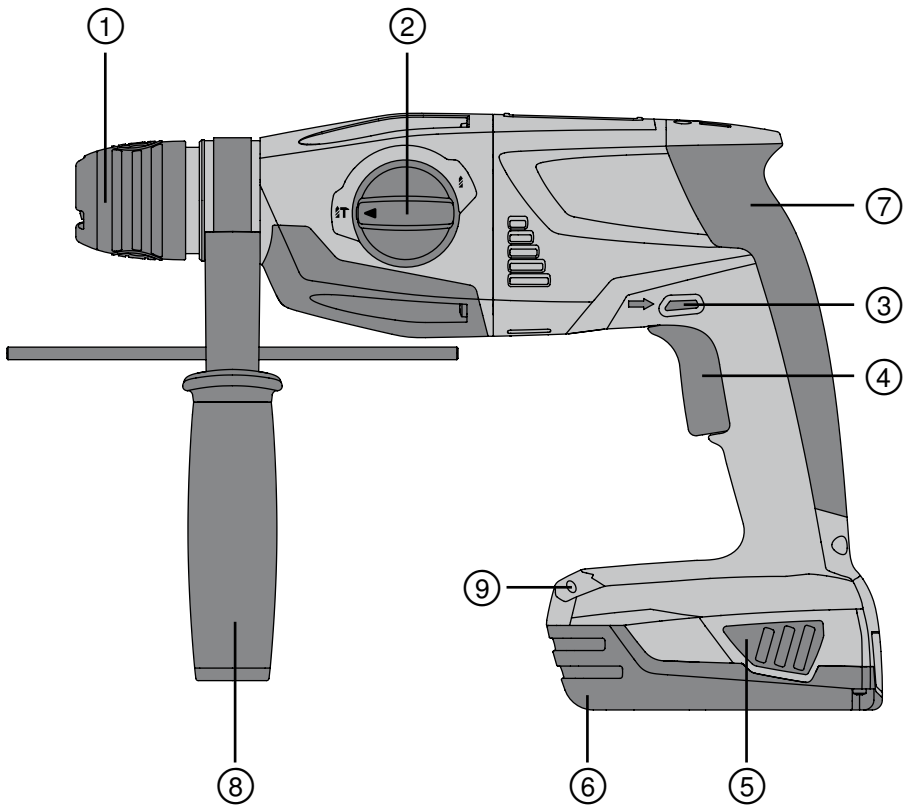
Manual de instrucciones

es

Manual de instruções

pt

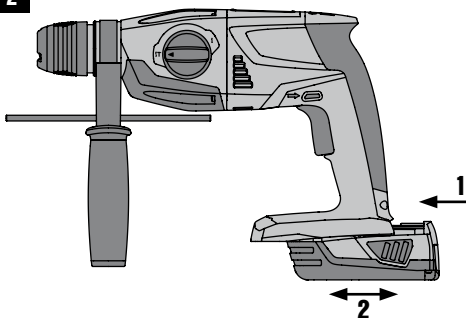




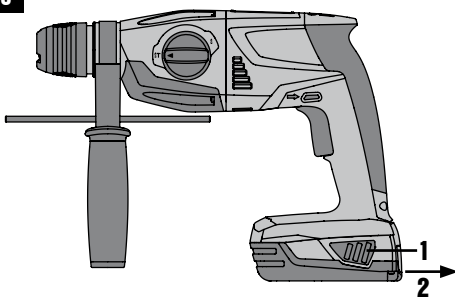
This Product is Certified  
Ce produit est homologué  
Producto homologado por  
Este producto está registrado



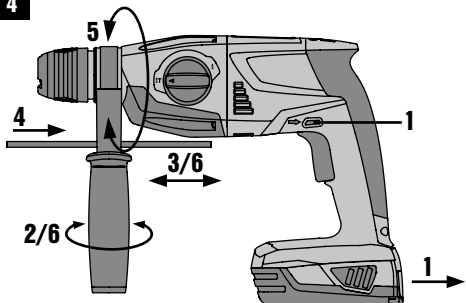
2



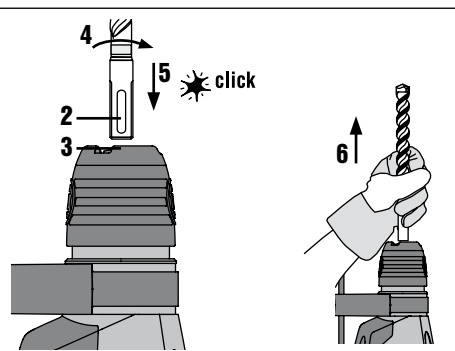
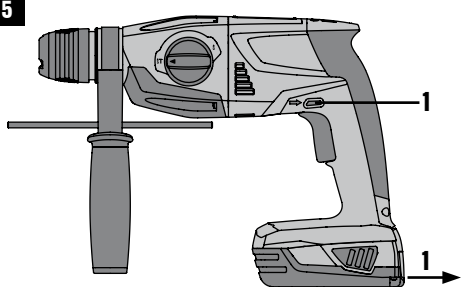
3



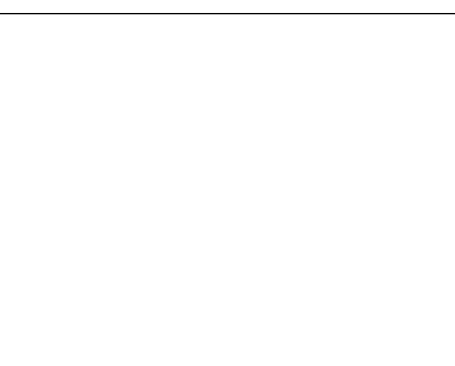
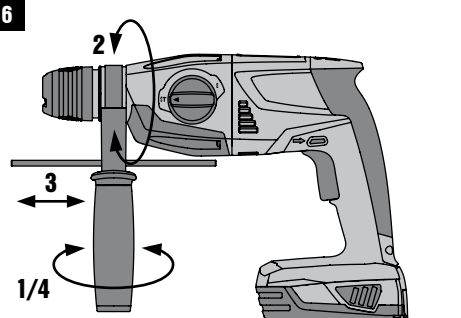
4



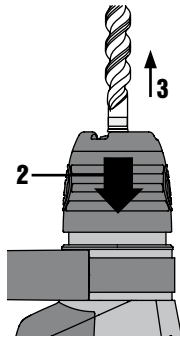
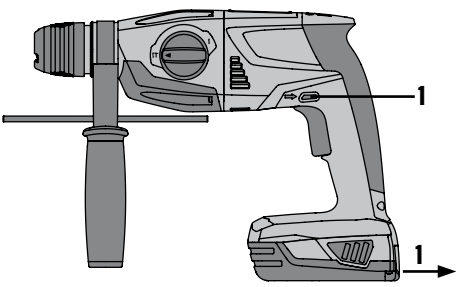
5



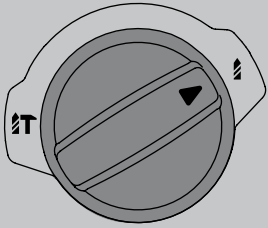
6



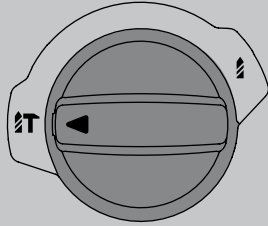
7



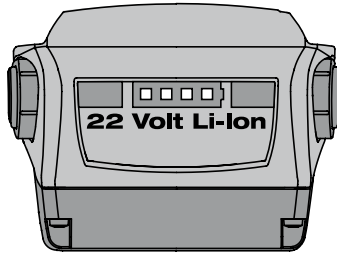
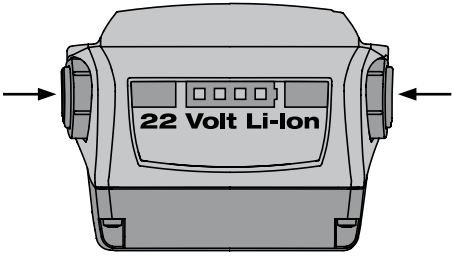
8



9



10



## ORIGINAL OPERATING INSTRUCTIONS

# TE 2-A18 cordless rotary hammer

en

***It is essential that the operating instructions are read before the power tool is operated for the first time.***

***Always keep these operating instructions together with the power tool.***

***Ensure that the operating instructions are with the power tool when it is given to other persons.***

Contents	Page
1. General information	1
2. Description	2
3. Insert tools, accessories	4
4. Technical data	5
5. Safety instructions	5
6. Before use	8
7. Operation	10
8. Care and maintenance	12
9. Troubleshooting	13
10. Disposal	14
11. Manufacturer's warranty - tools	15

**1** These numbers refer to the corresponding illustrations. The illustrations can be found on the fold-out cover pages. Keep these pages open while studying the operating instructions.

In these operating instructions, the designation "the power tool" always refers to the TE 2-A18 cordless rotary hammer.

### Components, operating controls and indicators **1**

- ① Chuck
- ② Function selector switch
- ③ Forward / reverse switch
- ④ Control switch
- ⑤ Battery release button (2 buttons)
- ⑥ Battery
- ⑦ Grip
- ⑧ Side handle with depth gauge
- ⑨ LED

## 1. General information

### 1.1 Safety notices and their meaning

#### **DANGER**

Draws attention to imminent danger that will lead to serious bodily injury or fatality.

#### **WARNING**

Draws attention to a potentially dangerous situation that could lead to serious personal injury or fatality.

#### **CAUTION**

Draws attention to a potentially dangerous situation that could lead to slight personal injury or damage to the equipment or other property.

#### **NOTE**

Draws attention to an instruction or other useful information.

### 1.2 Explanation of the pictograms and other information

#### Warning signs



General warning



Warning: electricity



Warning: caustic substances

en

### Obligation signs



Wear eye protection



Wear a hard hat



Wear ear protection



Wear protective gloves



Wear breathing protection

### Symbols



Read the operating instructions before use



Return waste material for recycling.



Drilling without hammering



Hammer drilling

V

Volts

— — —

Direct current

$n_0$

Rated speed under no load

/min

Revolutions per minute

RPM

Revolutions per minute

∅

Diameter



Forward / reverse

### Location of identification data on the power tool

The type designation and serial number can be found on the type identification plate on the machine or tool. Make a note of this data in your operating instructions and always refer to it when making an enquiry to your Hilti representative or service department.

Type: \_\_\_\_\_

Generation: 02 \_\_\_\_\_

Serial no.: \_\_\_\_\_

## 2. Description

### 2.1 Use of the product as directed

The tool is a hand-held, battery-powered rotary hammer for hammer drilling in concrete and masonry, for drilling in steel, wood and masonry and for driving in and removing screws.

Use only the batteries and chargers recommended by Hilti.

The power tool may be used only in a dry environment.

Do not use the power tool where there is a risk of fire or explosion.

Working on materials hazardous to the health (e.g. asbestos) is not permissible.

The power tool is designed for professional use and may be operated, serviced and maintained only by trained, authorized personnel. This personnel must be informed of any special hazards that may be encountered. The power tool and its ancillary equipment may present hazards when used incorrectly by untrained personnel or when used not as directed.

The working environment may be as follows: construction site, workshop, renovation, conversion or new construction.

Modification of the power tool or tampering with its parts is not permissible.  
Do not use the battery as a power source for other unspecified appliances.  
To avoid the risk of injury, use only genuine Hilti accessories and insert tools.  
Observe the information printed in the operating instructions concerning operation, care and maintenance.  
Nationally applicable industrial safety regulations must be observed.

en

## **2.2 Chuck**

TE-C CLICK chuck

## **2.3 Switches**

Speed control switch for smooth starting  
Function selector switch  
Forward / reverse switch

## **2.4 Grips**

Pivotable side handle with depth gauge  
Grip

## **2.5 Protective features**

Mechanical slip clutch

## **2.6 Additional electronic features of the power tool**

The power tool is equipped with electronic overload protection. The power tool switches off automatically in the event of overloading. When the control switch is released and then pressed again, the power tool immediately regains full power.

In addition, the temperature of the power tool's electronics is monitored to ensure extra-long life. In the event of the electronics overheating, the drive spindle will not rotate even when the control switch is pressed fully. The power tool can be used again as soon as the temperature is within the permissible range.

## **2.7 Lubrication**

Permanent lubrication (grease)

## **2.8 Items supplied as standard**

- 1 Power tool
- 1 Side handle with depth gauge
- 1 Operating instructions
- 1 Hilti toolbox (optional)
- 1 Cleaning cloth (optional)
- 1 Grease (optional)

## **2.9 Additional items required for operating the tool**

B 18/1.6 Li-ion, B 18/2.6 Li-ion or B 18/3.3 Li-ion battery. C 4/36-90, C 4/36-350, C 4/36-ACS, C 4/36-ACS TPS or C 4/36 battery charger.

### 2.10 Li-ion battery charge status

LEDs light constantly	LEDs blink	Charge status C
LED 1,2,3,4	-	$C \geq 75\%$
LED 1,2,3	-	$50\% \leq C < 75\%$
LED 1,2	-	$25\% \leq C < 50\%$
LED 1	-	$10\% \leq C < 25\%$
-	LED 1	$C < 10\%$

#### NOTE

Indication of the charge status is not possible while the power tool is in operation or immediately after operation. If the battery charge status LEDs flash, please refer to the information given in section 9.

### 3. Insert tools, accessories

Designation	Description
Hammer drill bits	$\varnothing 4...16\text{ mm}$ ( $\frac{1}{8}" \dots \frac{5}{8}"$ )
Anchor-setting tools	C-type connection end
Wood drill bits (auger bits)	$\varnothing$ Max. 14 mm ( $\frac{1}{2}"$ )
Metal drill bits	$\varnothing$ Max. 10 mm ( $\frac{3}{8}"$ )
Keyless chuck	13 mm ( $\frac{1}{2}"$ ); with connection end
Key chuck	13 mm ( $\frac{1}{2}"$ ), with connection end

Designation	Short designation
Side handle	
Depth gauge (5 x 180 mm (0.2" x 7"))	
Dust removal system	TE DRS-S
Dust shield	
Charger for Li-ion batteries	C 4/36-90
Charger for Li-ion batteries	C 4/36-350
Charger for Li-ion batteries	C 4/36
Charger for Li-ion batteries	C 4/36-ACS
Charger for Li-ion batteries	C 4/36-ACS TPS
Battery	B 18/3.3 Li-ion
Battery	B 18/2.6 Li-ion
Battery	B 18/1.6 Li-ion



## 4. Technical data

Right of technical changes reserved.

Power tool	TE 2-A18
Rated voltage (DC voltage)	21.6 V
Weight	2.7 kg (5.95 lb)
Dimensions (L x W x H)	322 mm (12.68") x 94 mm (3.7") x 238 mm (9.37")
Hammer drilling speed	0...980/min
No-load speed in hammer drilling mode	0...1,090/min
Single impact energy	1.5 J

en

### Other information about the power tool

Chuck	TE-C Click
-------	------------


Battery	B 18/1.6 Li-Ion	B 18/2.6 Li-Ion	B 18/3.3 Li-Ion
Nominal voltage	21.6 V	21.6 V	21.6 V
Capacity	1.6 Ah	2.6 Ah	3.3 Ah
Energy capacity	34.56 Wh	56.16 Wh	71.28 Wh
Weight	0.48 kg (1.06 lb)	0.78 kg (1.72 lb)	0.78 kg (1.72 lb)
Type of cell	Li-Ion	Li-Ion	Li-Ion
Temperature monitoring	NTC	NTC	NTC
Deep discharge prevention	Yes	Yes	Yes

## 5. Safety instructions

### NOTE

The safety rules in section 5.1 contain all general safety rules for power tools which, in accordance with the applicable standards, must be listed in the operating instructions. Accordingly, some of the rules listed may not be relevant to this appliance.

### 5.1 General power tool safety warnings

- a)  **WARNING**  
**Read all safety warnings and instructions.** Failure to follow the warnings and instructions may result in electric shock, fire and/or serious injury.  
**Save all warnings and instructions for future reference.** The term "power tool" in the warnings refers to your mains-operated (corded) power tool or battery-operated (cordless) power tool.

### 5.1.1 Work area safety

- Keep work area clean and well lit.** Cluttered or dark areas invite accidents.
- Do not operate power tools in explosive atmospheres, such as in the presence of flammable liquids, gases or dust.** Power tools create sparks which may ignite the dust or fumes.
- Keep children and bystanders away while operating a power tool.** Distractions can cause you to lose control.

### 5.1.2 Electrical safety

- Power tool plugs must match the outlet. Never modify the plug in any way. Do not use any adapter plugs with earthed (grounded) power**

tools. Unmodified plugs and matching outlets will reduce risk of electric shock.

- b) **Avoid body contact with earthed or grounded surfaces such as pipes, radiators, ranges and refrigerators.** There is an increased risk of electric shock if your body is earthed or grounded.
- c) **Do not expose power tools to rain or wet conditions.** Water entering a power tool will increase the risk of electric shock.
- d) **Do not abuse the cord. Never use the cord for carrying, pulling or unplugging the power tool. Keep cord away from heat, oil, sharp edges or moving parts.** Damaged or entangled cords increase the risk of electric shock.
- e) **When operating a power tool outdoors, use an extension cord suitable for outdoor use.** Use of a cord suitable for outdoor use reduces the risk of electric shock.
- f) **If operating a power tool in a damp location is unavoidable, use a residual current device (RCD) protected supply.** Use of an RCD reduces the risk of electric shock.

#### 5.1.3 Personal safety

- a) **Stay alert, watch what you are doing and use common sense when operating a power tool. Do not use a power tool while you are tired or under the influence of drugs, alcohol or medication.** A moment of inattention while operating power tools may result in serious personal injury.
- b) **Use personal protective equipment. Always wear eye protection.** Protective equipment such as dust mask, non-skid safety shoes, hard hat, or hearing protection used for appropriate conditions will reduce personal injuries.
- c) **Prevent unintentional starting. Ensure the switch is in the off-position before connecting to power source and/or battery pack, picking up or carrying the tool.** Carrying power tools with your finger on the switch or energising power tools that have the switch on invites accidents.
- d) **Remove any adjusting key or wrench before turning the power tool on.** A wrench or a key left attached to a rotating part of the power tool may result in personal injury.
- e) **Do not overreach. Keep proper footing and balance at all times.** This enables better control of the power tool in unexpected situations.
- f) **Dress properly. Do not wear loose clothing or jewellery. Keep your hair, clothing and gloves**

**away from moving parts.** Loose clothes, jewellery or long hair can be caught in moving parts.

- g) **If devices are provided for the connection of dust extraction and collection facilities, ensure these are connected and properly used.** Use of dust collection can reduce dust-related hazards.

#### 5.1.4 Power tool use and care

- a) **Do not force the power tool. Use the correct power tool for your application.** The correct power tool will do the job better and safer at the rate for which it was designed.
- b) **Do not use the power tool if the switch does not turn it on and off.** Any power tool that cannot be controlled with the switch is dangerous and must be repaired.
- c) **Disconnect the plug from the power source and/or the battery pack from the power tool before making any adjustments, changing accessories, or storing power tools.** Such preventive safety measures reduce the risk of starting the power tool accidentally.
- d) **Store idle power tools out of the reach of children and do not allow persons unfamiliar with the power tool or these instructions to operate the power tool.** Power tools are dangerous in the hands of untrained users.
- e) **Maintain power tools. Check for misalignment or binding of moving parts, breakage of parts and any other condition that may affect the power tool's operation. If damaged, have the power tool repaired before use.** Many accidents are caused by poorly maintained power tools.
- f) **Keep cutting tools sharp and clean.** Properly maintained cutting tools with sharp cutting edges are less likely to bind and are easier to control.
- g) **Use the power tool, accessories and tool bits etc. in accordance with these instructions taking into account the working conditions and the work to be performed.** Use of the power tool for operations different from those intended could result in a hazardous situation.

#### 5.1.5 Battery tool use and care

- a) **Recharge only with the charger specified by the manufacturer.** A charger that is suitable for one type of battery pack may create a risk of fire when used with another battery pack.

- b) **Use power tools only with specifically designated battery packs.** Use of any other battery packs may create a risk of injury and fire.
- c) **When battery pack is not in use, keep it away from other metal objects, like paper clips, coins, keys, nails, screws or other small metal objects, that can make a connection from one terminal to another.** Shorting the battery terminals together may cause burns or a fire.
- d) **Under abusive conditions, liquid may be ejected from the battery, avoid contact. If contact accidentally occurs, flush with water. If liquid contacts eyes, additionally seek medical help.** Liquid ejected from the battery may cause irritation or burns.

#### 5.1.6 Service

- a) **Have your power tool serviced by a qualified repair person using only identical replacement parts.** This will ensure that the safety of the power tool is maintained.

#### 5.2 Hammer safety warnings

- a) **Wear ear protectors.** Exposure to noise can cause hearing loss.
- b) **Use auxiliary handles, if supplied with the tool.** Loss of control can cause personal injury.
- c) **Hold power tool by insulated gripping surfaces, when performing an operation where the cutting accessory may contact hidden wiring.** Cutting accessory contacting a "live" wire may make exposed metal parts of the power tool "live" and could give the operator an electric shock.

#### 5.3 Additional safety precautions

##### 5.3.1 Personal safety

- a) **Always hold the power tool securely with both hands on the grips provided. Keep the grips dry, clean and free from oil and grease.**
- b) **Always wear protective gloves when starting and operating the power tool.**
- c) **Breathing protection must be worn if the power tool is used without a dust removal system for work that creates dust.**
- d) **Improve the blood circulation in your fingers by relaxing your hands and exercising your fingers during breaks between working.**
- e) **Avoid touching rotating parts. Switch the power tool on only after bringing it into position at the**

**workpiece.** Touching rotating parts, especially rotating insert tools, may lead to injury.

- f) **Do not direct the lamp either at yourself or at anyone else. Do not, under any circumstances, look into the lamp. There is a risk of dazzling yourself and causing damage to the retina of the eye.**
- g) **Activate the safety lock (forward / reverse selector switch in the middle position) or pull the battery out slightly until it engages in the first position before making adjustments to the tool or before fitting drill bits, the side handle or depth gauge and before storing or transporting the tool.**
- h) **When restarting after the electronic overload protection system has switched the tool off, care must be taken to ensure that the power tool is held securely with both hands on the grips provided.**
- i) **Children must be instructed not to play with the power tool.**
- j) **The power tool is not intended for use by children, by debilitated persons or those who have received no instruction or training.**
- k) **Whenever the power tool is knocked or dropped, check its operation and, if necessary, do not continue to use it.**
- l) **WARNING: Some dust created by grinding, sanding, cutting and drilling contains chemicals known to cause cancer, birth defects, infertility or other reproductive harm; or serious and permanent respiratory or other injury.** Some examples of these chemicals are: lead from lead-based paints, crystalline silica from bricks, concrete and other masonry products and natural stone, arsenic and chromium from chemically-treated lumber. Your risk from these exposures varies, depending on how often you do this type of work. **To reduce exposure to these chemicals, the operator and bystanders should work in a well-ventilated area, work with approved safety equipment, such as respiratory protection appropriate for the type of dust generated, and designed to filter out microscopic particles and direct dust away from the face and body. Avoid prolonged contact with dust. Wear protective clothing and wash exposed areas with soap and water.** Allowing dust to get into your mouth, eyes, or to remain on your skin may promote absorption of harmful chemicals.

en

en

### 5.3.2 Electric tool use and care

- a) **Secure the workpiece. Use clamps or a vice to secure the workpiece.** The workpiece is thus held more securely than by hand and both hands remain free to operate the power tool.
- b) **Check that the insert tools used are compatible with the chuck system and that they are secured in the chuck correctly.**

### 5.3.3 Battery tool use and care

- a) **Ensure the switch is in the off position before inserting battery pack.** Inserting the battery pack into power tools that have the switch on invites accidents.
- b) **Observe the special instructions applicable to the transport, storage and use of Li-ion batteries.**
- c) **Do not expose batteries to high temperatures or fire.** This presents a risk of explosion.
- d) **Do not disassemble, squash or incinerate batteries and do not subject them to temperatures over 80°C (176°F).** A risk of fire, explosion or injury through contact with caustic substances may otherwise result.
- e) **Do not use batteries other than those approved for use with the applicable power tool or appliance.** Use of other batteries or use of the battery for purposes for which it is not intended presents a risk of fire and explosion.
- f) **Do not use excessive force when fitting or removing the battery.**
- g) **Do not charge or continue to use damaged batteries (e.g. batteries with cracks, broken parts, bent or pushed-in and/or pulled-out contacts).**
- h) **Avoid short-circuiting the battery. Check that the terminals on the battery and in the power tool are free from foreign objects before inserting the battery in the power tool.** Short circuiting the battery terminals presents a risk of fire, explosion and chemical burns.

- i) **Avoid ingress of dampness.** Dampness may cause a short circuit resulting in a risk of burning injury or fire.

### 5.3.4 Electrical safety



**Before beginning work, check the working area (e.g. using a metal detector) to ensure that no concealed electric cables or gas and water pipes are present.** External metal parts of the power tool may become live, for example, when an electric cable is damaged accidentally. This presents a serious risk of electric shock.

### 5.3.5 Work area safety

- a) **Ensure that the workplace is well lit.**
- b) **Ensure that the workplace is well ventilated.** Exposure to dust at a poorly ventilated workplace may result in damage to the health.
- c) **If the work involves breaking right through, take the appropriate safety measures at the opposite side.** Parts breaking away could fall out and / or fall down and injure other persons.

### 5.3.6 Personal protective equipment



**The user and any other persons in the vicinity must wear ANSI Z87.1-approved eye protection, a hard hat, ear protection, protective gloves and breathing protection while the machine is in use.**

## 6. Before use



### CAUTION

**Wear protective gloves when handling the battery back.**

### 6.1 Battery use and care

#### NOTE

Battery performance drops at low temperatures. Never use the battery until the cells become fully discharged. Change to the second battery as soon

as a drop in performance is noticed. Recharge the battery immediately so that it is ready for reuse.

Store the battery in a cool, dry place. Never store the battery where it is exposed to direct sunlight or sources of heat, e.g. on heaters / radiators or behind a motor vehicle windscreen. Batteries that have reached the end of their life must be disposed of safely and correctly to avoid environmental pollution.

## 6.2 Charging the battery



### DANGER

**Use only the Hilti batteries and Hilti chargers listed under "Accessories".**

### 6.2.1 Charging a new battery for the first time

Charge the battery fully before using it for the first time.

### 6.2.2 Charging a previously used battery

Ensure that the outer surfaces of the battery are clean and dry before inserting it in the corresponding charger.

For information about the charging process, read the operating instructions for the charger and section 2.10 Charge status of the Li-ion battery in these operating instructions.

Li-ion batteries are ready for use at any time, even when only partly charged. Charging progress is indicated by the LED display (see charger operating instructions).

## 6.3 Fitting the battery 2

### CAUTION

**Before fitting the battery, check that the power tool is switched off and that the safety lock is engaged (forward/reverse switch in the middle position). Use only the Hilti batteries approved for use with this power tool.**

1. Push the battery into the power tool from the rear until it is heard to engage with a double click.
2. **CAUTION A falling battery may present a risk of injury to yourself or others.**  
Check that the battery is seated securely in the power tool.

## 6.4 Removing the battery 3

### CAUTION

**Do not damage the battery pack when removing it. After removal, check the battery pack and the power tool.**

1. Press both battery release buttons.
2. Pull the battery out of the power tool toward the rear.

## 6.5 Transport and storage of battery packs

Pull the battery pack out of the locked position (working position) and move it into the first click-stop position (transport position).

If you disconnect a battery pack from the power tool for transport or storage, make sure that the contacts of the battery pack are not short-circuited. Remove loose metal parts such as screws, nails, clamps, loose screw bits, wires or metal swarf from the case, toolbox or transport container, or prevent these parts from coming into contact with the battery packs.

Observe national and international transport regulations when shipping battery packs (transportation by road, rail, sea or air).

## 6.6 Fitting the side grip 4

### CAUTION

**Wear protective gloves when fitting the side handle and the TE DRS-S dust removal system.**

1. Set the forward / reverse switch to the middle position or remove the battery from the power tool.
2. Release the side grip clamping band by turning the grip counterclockwise.
3. Remove the depth gauge from the side grip in order to avoid injury.
4. Slide the side grip clamping band over the chuck and onto the shaft.
5. Pivot the side grip into the desired position.
6. Fit the depth gauge and secure the side grip in the desired position by turning the grip firmly until tight.

## 6.7 Dust removal (TE DRS-S)

A DRS dust removal head can be fitted to the depth gauge of the side handle. Drilling dust and fragments can then be removed by a vacuum cleaner. For further information on operation and use of the

en

dust removal system, please refer to the separate operating instructions for the TE DRS-S.

en

## 7. Operation



### CAUTION

In the event of the drill bit sticking, the power tool will pivot about its own axis. Always use the power tool with the side handle fitted and hold it securely with both hands so that the resulting opposing force causes the slip clutch to release in the event of the drill bit sticking. Use clamps or a vice to hold the workpiece securely.

### CAUTION

**During operation, wear protective gloves, especially when inserting, adjusting and removing the insert tool, because the insert tool can become hot during use.**

### 7.1 Preparing for use

#### 7.1.1 Fitting the insert tool 5

### CAUTION

**Do not use drill bits with a C-type connection end in a drill adapter. After inserting drill bits in the adapter, check for firm seating and concentricity.**

1. Set the forward / reverse switch to the middle position or remove the battery from the power tool.
2. Check that the connection end of the insert tool is clean and lightly greased. Clean it and grease it if necessary.  
**NOTE** Make sure that not too much grease is applied.
3. Check that the sealing lip of the dust shield is clean and in good condition. Clean the dust shield if necessary or replace it if the sealing lip is found to be damaged (please refer to the "Care and maintenance" section).
4. Push the insert tool into the chuck and rotate it while applying slight pressure until it engages in the guide grooves.
5. Push the insert tool into the chuck until it is heard to engage.

6. After insertion, check that the drill bit is held securely in the chuck and turns concentrically.

#### 7.1.2 Adjusting the depth gauge / side grip 6

### CAUTION

**Use only depth gauges not exceeding 180 mm (7") in length.**

### DANGER

**Check that the side handle is correctly secured in place.** An insufficiently secured side handle may cause personal injury.

1. Release the side grip clamping band by turning the grip counterclockwise.
2. Pivot the side grip into the desired position.
3. Adjust the depth gauge to the desired drilling depth.
4. Tighten the side grip securely by turning the grip section. This also clamps the depth gauge in position.

#### 7.1.3 Removing the tool 7

1. Set the forward / reverse switch to the middle position or remove the battery from the power tool.
2. Open the chuck by pulling back the chuck release sleeve.
3. Pull the insert tool out of the chuck.

### 7.2 Operation



### CAUTION

Working on the material may cause it to splinter. **Wear eye protection and protective gloves. Wear breathing protection if no dust removal system is used.** Splintering material presents a risk of injury to the eyes and body.

## CAUTION

The work generates noise. **Wear ear protectors.** Exposure to noise can cause hearing loss.

### 7.2.1 Working at low temperatures

#### NOTE

The hammering mechanism works only when the power tool has reached a minimum operating temperature.

Bring the drill bit briefly into contact with the base material while allowing the power tool to run under no load until the minimum operating temperature is reached. If necessary, repeat this procedure until the hammering mechanism begins to operate.

### 7.2.2 Forward / reverse

#### NOTE

The forward / reverse switch is used to select the direction of rotation of the drive spindle. An interlock prevents switching while the motor is running. The control switch is locked when the forward / reverse switch is in the middle position.

For forward rotation, push the forward / reverse switch on the side of the power tool toward the chuck in the direction of the arrow.

For reverse rotation, push the forward / reverse switch on the side of the power tool toward the grip in the direction of the arrow.

Bring the forward / reverse switch into the desired position.

### 7.2.3 Drilling without hammering 8

#### CAUTION

**Do not use drill bits with a C-type connection end in a drill adapter. After inserting drill bits in the adapter, check for firm seating and concentricity.**

1. Set the forward / reverse switch to the “forward” position before beginning drilling.
2. Turn the function selector switch until it engages in the “Drilling without hammering” position. Do not operate the function selector switch while the motor is running.
3. Bring the side grip into the desired position and check that it is fitted correctly and secured.
4. Insert the battery.
5. Position the power tool and drill bit at the point where the hole is to be drilled.

6. Press the control switch slowly (drill at a low speed until the drill bit centers itself in the hole).
7. Press the control switch fully to continue drilling with full power.
8. Adjust the pressure applied to the power tool according to the material you are working on. This will ensure the optimum rate of drilling progress.

### 7.2.4 Hammer drilling 9

#### NOTE

Only use hammer drill bits with a C-type connection end.

1. Set the forward / reverse switch to the “forward” position before beginning drilling.
2. Turn the function selector switch until it engages in the “Hammer drilling” position. Do not operate the function selector switch while the motor is running.
3. Bring the side grip into the desired position and check that it is fitted correctly and secured.
4. Insert the battery.
5. Position the power tool and drill bit at the point where the hole is to be drilled.
6. Press the control switch slowly (drill at a low speed until the drill bit centers itself in the hole).
7. Press the control switch fully to continue drilling with full power.
8. Adjust the pressure applied to the power tool according to the material you are working on. This will ensure the optimum rate of drilling progress.
9. Reduce drilling speed shortly before breaking through in order to avoid spalling.

### 7.2.5 Reading the charge status LED display on Li-ion batteries 10

#### NOTE

The charge status cannot be indicated while the power tool is in operation. If LED 1 blinks this indicates that the battery is either fully discharged or is too hot (temperature above 80°C (176°F)). The battery must then be inserted in the charger. If all 4 LEDs flash, this indicates that the power tool has been overloaded or has overheated.

The Li-ion battery features a charge status LED display. The charge status is indicated by the LEDs on the battery during charging (please refer to the operating

en

instructions for the charger). When the battery is not in use, pressing one of the battery release buttons or inserting the battery into the power tool causes the battery charge status to be displayed by the four LEDs for three seconds.

en

See section: 2.10 Li-ion battery charge status

#### 7.2.6 Illumination of the drilling area by integrated LED

##### NOTE

Keep the LED clean so that it always provides sufficient illuminating power.

For working in very dark areas, the led illuminates the drilling area.

The LED is activated automatically when the control switch is pressed and lights up.

The LED goes out slowly after the control switch is released.

## 8. Care and maintenance

### CAUTION

**Before beginning cleaning, remove the battery from the power tool in order to prevent unintentional starting.**

#### 8.1 Care of insert tools

Clean off dirt and dust deposits adhering to the insert tools and protect them from corrosion by wiping the insert tools from time to time with an oil-soaked rag. Check that the connection end of the insert tool is clean and lightly greased. Clean it and grease it if necessary.

#### 8.2 Care of the power tool

### CAUTION

**Keep the power tool, especially its grip surfaces, clean and free from oil and grease. Do not use cleaning agents which contain silicone.**

The outer casing of the power tool is made from impact-resistant plastic. Sections of the grip are made from a synthetic rubber material.

Never operate the power tool when the ventilation slots are blocked. Clean the ventilation slots carefully using a dry brush. Do not permit foreign objects to enter the interior of the power tool. Clean the outside of the power tool at regular intervals with a slightly damp cloth. Do not use a spray, steam pressure cleaning equipment or running water for cleaning. This may negatively affect the electrical safety of the power tool.

#### 8.3 Cleaning or replacing the dust shield

Clean the dust shield on the chuck with a dry, clean cloth at regular intervals. Clean the sealing lip by

wiping it carefully and then grease it again lightly with Hilti grease. It is essential that the dust shield is replaced if the sealing lip is found to be damaged. Push the tip of a screwdriver under the edge of the dust shield and prise it out toward the front. Clean the area of the chuck in contact with dust shield and then fit a new dust shield. Press it in firmly until it engages.

#### 8.4 Care of the Li-ion battery

Avoid entrance of moisture.

Charge the battery fully before using it for the first time.

In order to achieve maximum battery life, stop discharging the battery as soon as a significant drop in performance is noticed.

### NOTE

If use of the power tool continues, further battery discharge will be stopped automatically before the battery cells suffer damage.

Charge the battery with the Hilti charger approved for use with Li-ion batteries.

### NOTE

- A conditioning charge (as is required with NiCd or NiMH batteries) is not necessary.

- Interruption of the charging procedure has no negative effect on battery life.

- Charging can be started at any time with no negative effect on battery life. There is no memory effect (as with NiCd or NiMH batteries).

- For best results, batteries should be stored fully charged in a cool dry place. Avoid charging the battery in places subject to high ambient temperatures (e.g.



at a window) as this has an adverse effect on battery life and increases the rate of self-discharge.  
 - If the battery no longer reaches full charge, it may have lost capacity due to aging or overstressing. It is possible to continue working with a battery in this condition but it should be replaced in good time.

Check all external parts of the power tool for damage at regular intervals and check that all controls operate faultlessly. Do not operate the power tool if parts are damaged or when the controls do not function faultlessly. If necessary, the power tool should be repaired by Hilti Service.

en

### 8.5 Maintenance

#### WARNING

Repairs to the electrical section of the power tool may be carried out only by trained electrical specialists.

### 8.6 Checking the power tool after care and maintenance

After carrying out care and maintenance work on the power tool, check that all protective and safety devices are fitted and that they function faultlessly.

## 9. Troubleshooting

Fault	Possible cause	Remedy
The power tool doesn't run.	The battery is discharged or fitted incorrectly.	The battery must be heard to engage with a double click or, respectively, needs to be charged.
	Electrical fault.	Remove the battery from the power tool and contact Hilti Service.
	The battery is too hot or too cold.	Bring the battery to the recommended working temperature.
The power tool doesn't work and 1 LED blinks.	The battery is discharged.	Change the battery and recharge the discharged battery.
	The battery is too hot or too cold.	Bring the battery to the recommended working temperature.
The power tool doesn't work and all 4 LEDs blink.	The power tool has been overloaded.	Release the control switch and press it again.
	The overheating prevention cut-out has been activated.	Allow the power tool to cool down. Clean the ventilation slots.
No hammering action.	The power tool is too cold.	Allow the power tool to warm up to the minimum operating temperature. See section: 7.2.1 Working at low temperatures
	The function selector switch is set to "Drilling without hammering".	Set the function selector switch to "Hammer drilling".
The control switch can't be pressed, i.e. the switch is locked.	The forward / reverse switch is in the middle position (transport lock engaged).	Push the forward / reverse switch to the left or right.
The drive spindle doesn't rotate.	The permissible operating temperature of the power tool's electronics has been exceeded.	Allow the power tool to cool down.
	The permissible battery operating temperature has been exceeded.	Bring the battery to the recommended working temperature.

Fault	Possible cause	Remedy
The drive spindle doesn't rotate.	The battery is discharged.	Change the battery and recharge the discharged battery.
The power tool switches itself off automatically.	The overload cut-out has been activated.	Release the control switch, reduce the load on the power tool and then press the switch again.
The battery runs down more quickly than usual.	Battery condition is not optimal.	Have battery condition diagnosed by Hilti Service or replace with a new battery.
The battery doesn't engage with an audible double click.	The retaining lugs on the battery are dirty.	Clean the retaining lugs and check that the battery engages securely. Contact Hilti Service if the problem persists.
The power tool or the battery gets very warm.	Electrical fault.	Switch the power tool off immediately, remove the battery and contact Hilti Service.
	The power tool has been overloaded (application limits exceeded).	Use the right power tool for the job (don't use a low-powered tool for heavy work).
The insert tool can't be released.	The chuck is not pulled back fully.	Pull the chuck back as far as it will go and remove the cutting tool.
The tool makes no progress.	The forward/reverse switch is set to reverse rotation.	Set the forward/reverse switch to forward rotation.
The power tool doesn't start.	Power tool overloaded.	Switch off the power tool. Remove the battery pack. Do not continue to use the power tool.

## 10. Disposal

### CAUTION

Improper disposal of the equipment may have serious consequences: the burning of plastic components generates toxic fumes which may present a health hazard. Batteries may explode if damaged or exposed to very high temperatures, causing poisoning, burns, acid burns or environmental pollution. Careless disposal may permit unauthorized and improper use of the equipment. This may result in serious personal injury, injury to third parties and pollution of the environment.

### CAUTION

Dispose of defective batteries without delay. Keep them out of reach of children. Do not attempt to open or dismantle batteries and do not dispose of them by incineration.

### CAUTION

Dispose of the batteries in accordance with national regulations or return them to Hilti.



Most of the materials from which Hilti power tools or appliances are manufactured can be recycled. The materials must be correctly separated before they can be recycled. In many countries, Hilti has already made arrangements for taking back your old power tools or appliances for recycling. Please ask your Hilti customer service department or Hilti representative for further information.

en

## 11. Manufacturer's warranty - tools

Hilti warrants that the tool supplied is free of defects in material and workmanship. This warranty is valid so long as the tool is operated and handled correctly, cleaned and serviced properly and in accordance with the Hilti Operating Instructions, and the technical system is maintained. This means that only original Hilti consumables, components and spare parts may be used in the tool.

This warranty provides the free-of-charge repair or replacement of defective parts only over the entire lifespan of the tool. Parts requiring repair or replacement as a result of normal wear and tear are not covered by this warranty.

**Additional claims are excluded, unless stringent national rules prohibit such exclusion. In particular, Hilti is not obligated for direct, indirect, incidental or consequential damages, losses or expenses in connection with, or by reason of, the use of, or inability to use the tool for any purpose. Implied warranties of merchantability or fitness for a particular purpose are specifically excluded.**

For repair or replacement, send the tool or related parts immediately upon discovery of the defect to the address of the local Hilti marketing organization provided.

This constitutes Hilti's entire obligation with regard to warranty and supersedes all prior or contemporaneous comments and oral or written agreements concerning warranties.



en





Hilti Corporation

LI-9494 Schaan

Tel.: +423/234 21 11

Fax: +423/234 29 65

[www.hilti.com](http://www.hilti.com)

Hilti = registered trademark of Hilti Corp., Schaan

W 4118 | 0112 | 00-Pos. 3 | 1

Printed in China © 2012

Right of technical and programme changes reserved S. E. & O.

2023935 / C



2023935

## Free Manuals Download Website

<http://myh66.com>

<http://usermanuals.us>

<http://www.somanuals.com>

<http://www.4manuals.cc>

<http://www.manual-lib.com>

<http://www.404manual.com>

<http://www.luxmanual.com>

<http://aubethermostatmanual.com>

Golf course search by state

<http://golfingnear.com>

Email search by domain

<http://emailbydomain.com>

Auto manuals search

<http://auto.somanuals.com>

TV manuals search

<http://tv.somanuals.com>