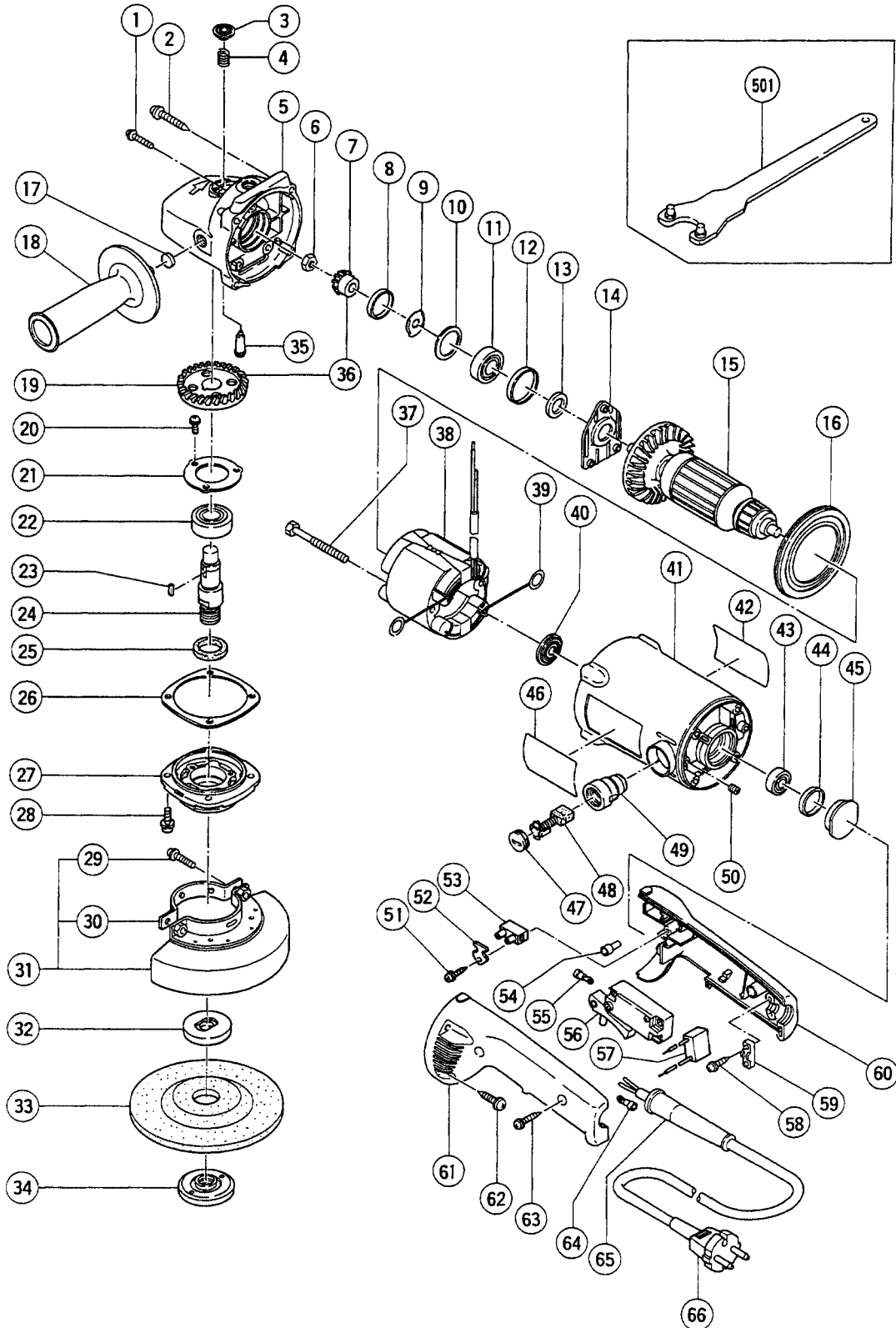


ELECTRIC TOOL PARTS LIST

■ DISC GRINDER
Model G 13SC2

1997 · 11 · 20
(E1)



PARTS

G 13SC2

ITEM NO.	CODE NO.	DESCRIPTION	NO. USED	REMARKS
1	303-255	SEAL LOCK SCREW (W/SP. WASHER) M4X10	3	
2	305-507	TAPPING SCREW (W/FLANGE) D5X30	4	
3	306-888	PUSHING BUTTON	1	
4	306-889	SPRING	1	
5	315-048	GEAR COVER ASS'Y	1	INCLUD.3,4,17,35
6	949-568	LOCK NUT M8 (10 PCS.)	1	
7	315-084	PINION	1	
8	315-055	SEAL RING (A)	1	
9	315-056	WASHER (B)	1	
10	315-054	WASHER (A)	1	
11	620-0DD	BALL BEARING 6200DDUCMPS2S	1	
12	315-053	RUBBER RING (A)	1	
13	315-052	FELT PACKING (B)	1	
14	315-051	BEARING COVER (B)	1	
* 15	360-433U	ARMATURE ASS'Y 110V - 115V	1	INCLUD.11,13,40,43
* 15	360-433E	ARMATURE 220V - 230V	1	
* 15	360-433F	ARMATURE 240V	1	
16	315-046	FAN GUIDE	1	
17	315-049	FELT WASHER	1	
18	994-322	SIDE HANDLE	1	
19	315-085	GEAR	1	
20	987-201	SEAL LOCK SCREW (W/SP. WASHER) M4X10	3	
21	937-077	BEARING COVER (A)	1	
22	620-2DD	BALL BEARING 6202DDUCMPS2S	1	
23	940-533	FEATHER KEY 3X3X10	1	
* 24	315-088	SPINDLE	1	
* 24	315-065	SPINDLE	1	FOR THA
* 24	315-087	SPINDLE	1	FOR USA,CAN
25	315-062	FELT PACKING (A)	1	
26	315-060	SEAL PACKING	1	
27	315-061	PACKING GLAND	1	
28	315-636	SEAL LOCK SCREW (W/SP.WASHER) M5X14	4	
29	995-096	MACHINE SCREW (W/WASHERS) M5X20	2	
30	315-067	SET RING (B)	1	
31	315-089	WHEEL GUARD ASS'Y	1	INCLUD.29,30
* 32	937-907Z	WHEEL WASHER (A)	1	
* 32	937-928Z	WHEEL WASHER (A) FOR D16 HOLE	1	FOR THA
* 32	937-922P	WHEEL WASHER (B) FOR D5/8" HOLE	1	FOR USA,CAN
33	938-300Z	D. C. WHEELS 125MM A36Q (10 PCS.)	1	
* 34	937-909Z	WHEEL NUT M14X2	1	
* 34	994-155	WHEEL NUT M16X2	1	FOR THA
* 34	937-923P	WHEEL NUT 5/8" - 11UNC	1	FOR USA,CAN
35	315-050	LOCK PIN	1	
36	315-083	GEAR ASS'Y	1	INCLUD.7,19
37	961-501	HEX. HD. TAPPING SCREW D5X60	2	
* 38	340-383C	STATOR ASS'Y 110V - 115V	1	INCLUD.39
* 38	340-383E	STATOR ASS'Y 220V - 230V	1	INCLUD.39
* 38	340-383F	STATOR ASS'Y 240V	1	INCLUD.39
* 38	340-383G	STATOR ASS'Y 230V	1	INCLUD.39 FOR NZL
39	930-703	BRUSH TERMINAL	2	
40	315-047	DUST SEAL	1	

*: ALTERNATIVE PARTS

PARTS

G 13SC2

ITEM NO.	CODE NO.	DESCRIPTION	NO. USED	REMARKS
41	315-090	HOUSING ASS'Y	1	INCLUD.44,45,49,50
42		NAME PLATE	1	
43	608-VVM	BALL BEARING 608VVMC2EPS2L	1	
44	315-637	RUBBER RING	1	
45	315-069	BEARING BUSHING	1	
46		HITACHI LABEL	1	
47	945-161	BRUSH CAP	2	
48	999-043	CARBON BRUSH (1 PAIR)	2	
49	958-900	BRUSH HOLDER	2	
50	985-114	HEX. SOCKET SET SCREW M4X6	2	
* 51	305-720	TAPPING SCREW (W/FLANGE) D4X12	1	FOR SIN
* 52	315-086	HOLDER PLATE	1	FOR SIN
* 53	938-307	PILLAR TERMINAL	1	FOR SIN
* 54	959-140	CONNECTOR 50091 (10 PCS.)	1	
* 55	311-741	TERMINAL	1	FOR NZL,AUS
* 56	313-278	SWITCH (1P SCREW TYPE W/LOCK)	1	
* 56	315-102	SWITCH (1P SCREW TYPE W/O LOCK)	1	FOR USA,CAN
* 56	315-101	SWITCH (1P SCREW TYPE W/LOCK)	1	FOR NZL
* 57	930-039	NOISE SUPPRESSOR	1	FOR NZL,AUS
58	984-750	TAPPING SCREW (W/FLANGE) D4X16	2	
59	937-631	CORD CLIP	1	
60	315-063	HANDLE (A)	1	
61	315-064	HANDLE (B)	1	
62	302-089	TAPPING SCREW (W/FLANGE) D5X20 (BLACK)	4	
63	302-086	TAPPING SCREW (W/FLANGE) D4X20 (BLACK)	2	
64	980-063	TERMINAL	1	FOR CORD
* 65	953-327	CORD ARMOR D8.8	1	
* 65	938-051	CORD ARMOR D10.1	1	
* 66	500-212Z	CORD	1	(CORD ARMOR D10.1)
* 66	500-234Z	CORD	1	(CORD ARMOR D8.8)FOR INA
* 66	500-423Z	CORD	1	(CORD ARMOR D8.8)FOR SIN
* 66	500-226Z	CORD	1	(CORD ARMOR D8.8)FOR NZL
* 66	500-439Z	CORD	1	(CORD ARMOR D10.1)FOR AUS
* 66	500-434Z	CORD	1	(CORD ARMOR D8.8)FOR USA,CAN

STANDARD ACCESSORIES

ITEM NO.	CODE NO.	DESCRIPTION	NO. USED	REMARKS
501	937-913Z	WRENCH	1	

* : ALTERNATIVE PARTS

Free Manuals Download Website

<http://myh66.com>

<http://usermanuals.us>

<http://www.somanuals.com>

<http://www.4manuals.cc>

<http://www.manual-lib.com>

<http://www.404manual.com>

<http://www.luxmanual.com>

<http://aubethermostatmanual.com>

Golf course search by state

<http://golfingnear.com>

Email search by domain

<http://emailbydomain.com>

Auto manuals search

<http://auto.somanuals.com>

TV manuals search

<http://tv.somanuals.com>