

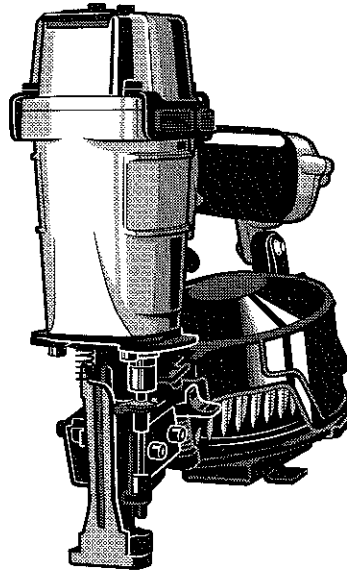
HITACHI

INSTRUCTION AND SAFETY MANUAL MANUEL D'INSTRUCTIONS ET DE SECURITE INSTRUCCIONES Y MANUAL DE SEGURIDAD

MODEL
MODÈLE
MODELO

NV 45AB2

NAILER
CLOUEUR
MARTILLO NEUMÁTICO



⚠ DANGER

Improper use of this Nailer can result in death or serious injury!
This Manual contains important information about product safety.
Read and understand this Manual before operating the Nailer.
Never allow anyone who has not reviewed this manual.

⚠ DANGER

Une utilisation incorrecte et sans respecter la sécurité de ce cloueur risque d'entraîner la mort ou des blessures graves !
Ce manuel renferme des instructions importantes sur la sécurité de l'outil.
Lire et bien assimiler ce manuel avant d'utiliser le cloueur.
Ne jamais laisser les personnes n'ayant pas étudié le manuel utiliser l'outil.

⚠ PELIGRO

¡La utilización inadecuada e insegura de este martillo neumático puede resultar en lesiones serias o en la muerte!
Este manual contiene información importante sobre la seguridad del producto.
Lea y entienda este manual antes de utilizar el martillo neumático.
No deje manejar esta herramienta a nadie que no haya leído este manual..

CONTENTS

English

	Page		Page
IMPORTANT INFORMATION	3	BEFORE OPERATION	10
DEFINITIONS OF SIGNAL WORDS	3	WORKING ENVIRONMENT	10
SAFETY		AIR SUPPLY	10
IMPORTANT SAFETY INSTRUCTIONS		LUBRICATION	11
FOR USING NAILERS	4	COLD WEATHER CARE	11
IMPORTANT SAFETY INSTRUCTIONS FOR USING		TESTING THE NAILER	11
NV45AB2 COIL NAILER	7	ADJUSTING AIR PRESSURE	12
EMPLOYER'S RESPONSIBILITIES	7	LOADING NAILS	12
OPERATION		NAILER OPERATION	13
NAME OF PARTS	8	METHODS OF OPERATION	14
SPECIFICATIONS	9	USING THE SHINGLE GUIDE	15
NAIL SELECTION	9	ADJUSTING THE NAILING DEPTH	15
ACCESSORIES	9	MAINTENANCE	
STANDARD ACCESSORIES	9	MAINTENANCE AND INSPECTION	16
OPTIONAL ACCESSORIES	10	SERVICE AND REPAIRS	17
APPLICATIONS	10		

TABLE DE MATIERES

Français

	Page		Page
INFORMATION IMPORTANTE	19	AVANT L'UTILISATION	26
DEFINITION DES MOTS DE SIGNALISATION	19	ENVIRONNEMENT DE TRAVAIL	26
SECURITE		ALIMENTATION D'AIR	26
CONSIGNES DE SECURITE IMPORTANTES		GRAISSAGE	27
POUR L'UTILISATION DU CLOUEUR	20	ENTRETIEN PAR TEMPS FROID	27
IMPORTANTES INSTRUCTIONS DE SECURITE POUR		ESSAI DU CLOUEUR	27
L'UTILISATION DU CLOUEUR NV45AB2	23	RÉGLAGE DE LA PRESSION D'AIR	28
RESPONSABILITES DE L'EMPLOYEUR	23	CHARGEMENT DES CLOUS	28
UTILISATION		UTILISATION DU CLOUEUR	29
NOM DES PIECES	24	MÉTHODES D'UTILISATION	30
SPECIFICATIONS	25	UTILISATION DU GUIDE A BARDEAU	31
SELECTION DES CLOUS	25	RÉGLAGE DE LA PROFONDEUR DE CLOUAGE	31
ACCESSOIRES	25	ENTRETIEN	
ACCESSOIRES STANDARD	25	ENTRETIEN ET INSPECTION	33
ACCESSOIRES EN OPTION	26	ENTRETIEN ET REPARATIONS	34
APPLICATIONS	26		

INDICE

Español

	Página		Página
INFORMACIÓN IMPORTANTE	36	ANTES DE LA OPERACIÓN	43
DEFINICIÓN DE LAS PALABRAS CLAVE	36	ENTORNO DE TRABAJO	43
SEGURIDAD		SUMINISTRO DE AIRE	43
INSTRUCCIONES IMPORTANTES DE SEGURIDAD PARA		LUBRICACIÓN	44
LA UTILIZACIÓN DEL MARTILLO NEUMÁTICO	37	CUIDADOS PARA CLIMAS FRÍOS	44
INSTRUCCIONES IMPORTANTES DE SEGURIDAD PARA		PRUEBA DEL MARTILLO NEUMÁTICO	44
UTILIZAR EL MARTILLO NEUMÁTICO DE RISTRA NV45AB2	40	AJUSTE DE LA PRESIÓN DE AIRE	45
RESPONSABILIDADES DEL EMPRESARIO	40	CARGA DE PUNTAS	46
OPERACIÓN		OPERACIÓN DEL MARTILLO NEUMÁTICO	47
NOMENCLATURA	41	MÉTODOS DE OPERACIÓN	47
ESPECIFICACIONES	42	EMPLEO DE LA GUÍA PARA TEJAMANILES	48
SELECCIÓN DE PUNTAS	42	AJUSTE DE LA PROFUNDIDAD DE CLAVADO	48
ACCESORIOS	42	MANTENIMIENTO	
ACCESORIOS ESTÁNDAR	42	MANTENIMIENTO E INSPECCIÓN	50
ACCESORIOS OPCIONALES	43	SERVICIO Y REPARACIONES	51
APLICACIONES	43		

IMPORTANT INFORMATION

READ AND UNDERSTAND ALL OF THE OPERATING INSTRUCTIONS, SAFETY PRECAUTIONS AND WARNINGS IN THIS MANUAL BEFORE OPERATING OR MAINTAINING THIS NAILER.

Most accidents that result from the operation and maintenance of Nailers are caused by the failure to observe basic safety rules or precautions. An accident can often be avoided by recognizing a potentially hazardous situation before it occurs, and by observing appropriate safety procedures.

Basic safety precautions are outlined in the "SAFETY" section of this Manual and in the sections which contain the operation and maintenance instructions.

Hazards that must be avoided to prevent bodily injury or machine damage are identified by **DANGERS** and **WARNINGS** on the Nailer and in this Manual.

Never use this Nailer for applications other than those specified in this Manual.

DEFINITIONS OF SIGNAL WORDS

DANGER indicates an imminently hazardous situation which, if not avoided, will result in death or serious injury.

WARNING indicates a potentially hazardous situation which, if not avoided, could result in death or serious injury.

CAUTION indicates a potentially hazardous situation which, if not avoided, may result in minor or moderate injury, or may cause machine damage.

NOTE emphasizes essential information.

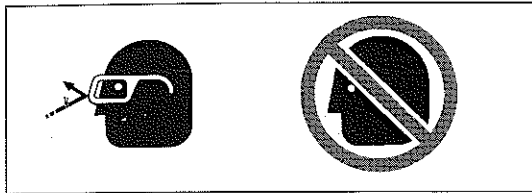
SAFETY

IMPORTANT SAFETY INSTRUCTIONS FOR USING NAILERS

READ ALL INSTRUCTIONS

⚠ DANGER

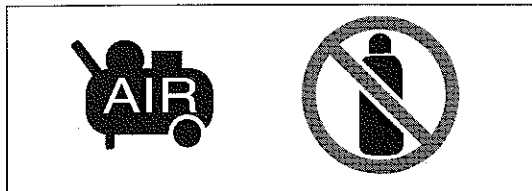
1. ALWAYS WEAR EYE PROTECTOR.



When operating the Nailer, always wear eye protector with side shields, and make sure others in work area wear eye protector, too. Eye protector must conform to the requirements of American National Standards Institute, ANSI Z87.1 and provide protection against flying particles both from the front and side.

The employer must enforce the use of eye protector by the Nailer operator and others in work area.

2. NEVER USE BOTTLED GASES.

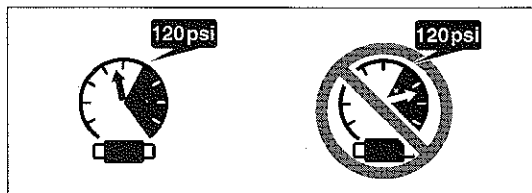


Never use oxygen, combustible gases or any other bottled gases as a power source for the Nailer.

Use of the above gases is dangerous, as the Nailer will explode. Use only clean, dry, regulated compressed air.

⚠ WARNING

3. DO NOT EXCEED 120 psi.



Do not exceed maximum recommended air pressure 120 psi (8.3 bar 8.5 kgf/cm²).

Never connect the Nailer to pressure which potentially exceeds 200 psi (13.7 bar 14 kgf/cm²) as the Nailer can burst.

4. NEVER POINT NAILER TOWARD YOURSELF OR ANYONE ELSE.

Always assume the Nailer contains fasteners. Never point the Nailer toward yourself or anyone else, whether it contains fasteners or not. If fasteners are mistakenly driven, it can lead to severe injuries. Never engage in horseplay with the Nailer. Respect the Nailer as a working implement.

5. NEVER CARRY WITH FINGER ON TRIGGER.

Remove finger from trigger when not driving fasteners. Never carry the Nailer with finger on trigger since you could drive a fastener unintentionally and injure yourself or someone else. Always carry the Nailer by the handle only.

6. ALWAYS WEAR EAR AND HEAD PROTECTOR.

Always wear ear protector to protect your ears from loud noise. Always wear head protector to protect your head from flying objects.

SAFETY — Continued

⚠ WARNING

7. STORE NAILER PROPERLY.

When not in use, the Nailer should be stored in a dry place. Keep out of reach of children. Lock the storage area.

8. KEEP WORK AREA CLEAN.

Cluttered areas invite injuries. Clear all work areas of unnecessary tools, debris, furniture, etc.

9. NEVER USE IN PRESENCE OF FLAMMABLE LIQUIDS OR GASES.

The Nailer produces sparks during operation. Never use the Nailer in sites containing lacquer, paint, benzene, thinner, gasoline, gases, adhesive agents, and other materials which are combustible or explosive.

10. KEEP VISITORS AWAY.

Do not let visitors handle the Nailer. All visitors should be kept safely away from work area.

11. DRESS PROPERLY.

Do not wear loose clothing or jewelry as they can be caught in moving parts. Rubber gloves and nonskid footwear are recommended when working outdoors. Wear protective hair covering to contain long hair.

12. NEVER USE NON RELIEVING COUPLER ON NAILER.

If a non relieving coupler is used on the Nailer, the Nailer can remain charged with air after disconnecting and thus will be able to drive a fastener even after disconnecting.

The Nailer and air hose must have a hose coupling such that all pressure is removed from the Nailer when the coupling joint is disconnected.

13. CHECK PUSH LEVER BEFORE USE.

Make sure the push lever operates properly. (The push lever may be called "Safety".) Never use the Nailer unless the push lever is operating properly, otherwise the Nailer could drive a fastener unexpectedly. Do not tamper with or remove the push lever, otherwise the push lever becomes inoperable.

14. KEEP ALL SCREWS AND COVERS TIGHTLY IN PLACE.

Keep all screws and covers tightly mounted. Check their condition periodically. Never use the Nailer if parts are missing or damaged.

15. DO NOT LOAD FASTENERS WITH TRIGGER OR PUSH LEVER DEPRESSED.

When loading fasteners into the Nailer or when connecting the air hose,

- 1) do not depress the trigger;
- 2) do not depress the push lever; and
- 3) keep the Nailer pointed downward.

16. KEEP HANDS AND FEET AWAY FROM FIRING HEAD DURING USE.

Never place your hands or feet closer than 8 inches (200 mm) from the firing head.

A serious injury can result if the fasteners are deflected by the workpiece, or are driven away from the point of entry.

17. PLACE NAILER PROPERLY ON WORKPIECE.

Do not drive fasteners on top of other fasteners or with the Nailer at too steep of an angle; the fasteners can ricochet and hurt someone.

18. BE CAREFUL OF DOUBLE FIRE DUE TO RECOIL.

If the push lever is unintentionally allowed to re-contact the workpiece following recoil, an unwanted fastener will be driven.

In order to avoid this undesirable double fire,

- 1) do not push the Nailer on the workpiece with strong force;
- 2) take the Nailer completely away from the workpiece using recoil, and keep the push lever away from the workpiece until the next desirable shot; and
- 3) pull the trigger and release it QUICKLY when performing intermittent operation (trigger fire).

19. DO NOT DRIVE FASTENERS INTO THIN BOARDS OR NEAR CORNERS AND EDGES OF WORKPIECE.

The fasteners can be driven through or away from the workpiece and hit someone.

20. NEVER DRIVE FASTENERS FROM BOTH SIDES OF A WALL AT THE SAME TIME.

The fasteners can be driven into and through the wall and hit a person on the opposite side.

21. CHECK FOR LIVE WIRES.

Avoid the risk of severe electrical shock by checking for live electrical wires that may be hidden by walls, floors or ceilings. Turn off the breaker switch to ensure there are no live wires.

22. NEVER CARRY NAILER BY HOUSE.

SAFETY – Continued

⚠ WARNING

23. DO NOT OVERREACH.

Keep proper footing and balance at all times.

24. NEVER USE NAILER WHICH IS DEFECTIVE OR OPERATING ABNORMALLY.

If the Nailer appears to be operating unusually, making strange noises, or otherwise appears defective, stop using it immediately and arrange for repairs by a Hitachi authorized service center.

25. DO NOT DISCONNECT AIR HOSE FROM NAILER WITH FINGER ON TRIGGER.

The Nailer can fire when re-connected to an air supply.

26. DISCONNECT AIR HOSE FROM NAILER WHEN:

- 1) doing maintenance and inspection;
- 2) clearing a jam;
- 3) it is not in use;
- 4) leaving work area;
- 5) moving it to another location; and
- 6) handing it to another person.

Never attempt to clear a jam or repair the Nailer unless you have disconnected air hose from the Nailer and removed all remaining fasteners from the Nailer. The Nailer should never be left unattended since people who are not familiar with the Nailer might handle it and injure themselves.

27. STAY ALERT.

Watch what you are doing. Use common sense. Do not operate the Nailer when you are tired. The Nailer should never be used by you if you are under the influence of alcohol, drugs or medication that makes you drowsy.

28. HANDLE NAILER CORRECTLY.

Operate the Nailer according to this Manual. Never allow the Nailer to be operated by children, individuals unfamiliar with its operation or unauthorized personnel.

29. NEVER USE NAILER FOR APPLICATIONS OTHER THAN THOSE SPECIFIED IN THIS MANUAL.

30. HANDLE NAILER CAREFULLY

Because of high air pressure in the Nailer, cracks in the surface are dangerous. To avoid this, do not drop the Nailer or strike the Nailer against hard surfaces; and do not scratch or engrave signs on the Nailer. Handle the Nailer carefully.

31. MAINTAIN NAILER WITH CARE.

Keep the Nailer clean and lubricated for better and safer performance.

32. USE ONLY PARTS, ACCESSORIES OR FASTENERS SUPPLIED OR RECOMMENDED BY HITACHI.

Unauthorized parts, accessories, or fasteners may void your warranty and can lead to malfunction and resulting injuries.

Only service personnel trained by Hitachi, distributor or employer shall repair the Nailer.

33. NEVER MODIFY OR ALTER A NAILER.

Doing so may cause it to malfunction and personal injuries may result.

SAFETY – Continued

IMPORTANT SAFETY INSTRUCTIONS FOR USING NV45AB2 COIL NAILER

⚠ WARNING

- 1. CLOSE NAIL GUIDE AND DO NOT OPEN IT DURING OPERATION.**
If driving fasteners with the nail guide open, the fasteners can be driven away from the workpiece.
- 2. KEEP THE MAIN BODY FACING UPWARD OR KEEP THE NAIL GUIDE SIDE FACING DOWNWARD WHEN NAILS ARE BEING LOADED, AND DO NOT OPEN THE MAGAZINE.**
The fasteners can fall down and result in personal injury.
- 3. NEVER USE GASOLINE OR OTHER HIGHLY FLAMMABLE LIQUIDS FOR CLEANING.**
Vapor of such liquids inside the Nailer could be ignited by a spark produced during nailing, which can cause an explosion.

EMPLOYER'S RESPONSIBILITIES

1. Ensure that this MANUAL is available to operators and personnel performing maintenance.
2. Ensure that Nailers are used only when operators and others in work area are wearing EYE PROTECTOR.
3. Enforce the use of EYE PROTECTOR by operators and others in work area.
4. Keep Nailers in safe working order.
5. Maintain Nailers properly.
6. Ensure that Nailers which require repair are not further used before repair.

**SAVE THIS MANUAL AND
KEEP IT AVAILABLE FOR OTHERS!**

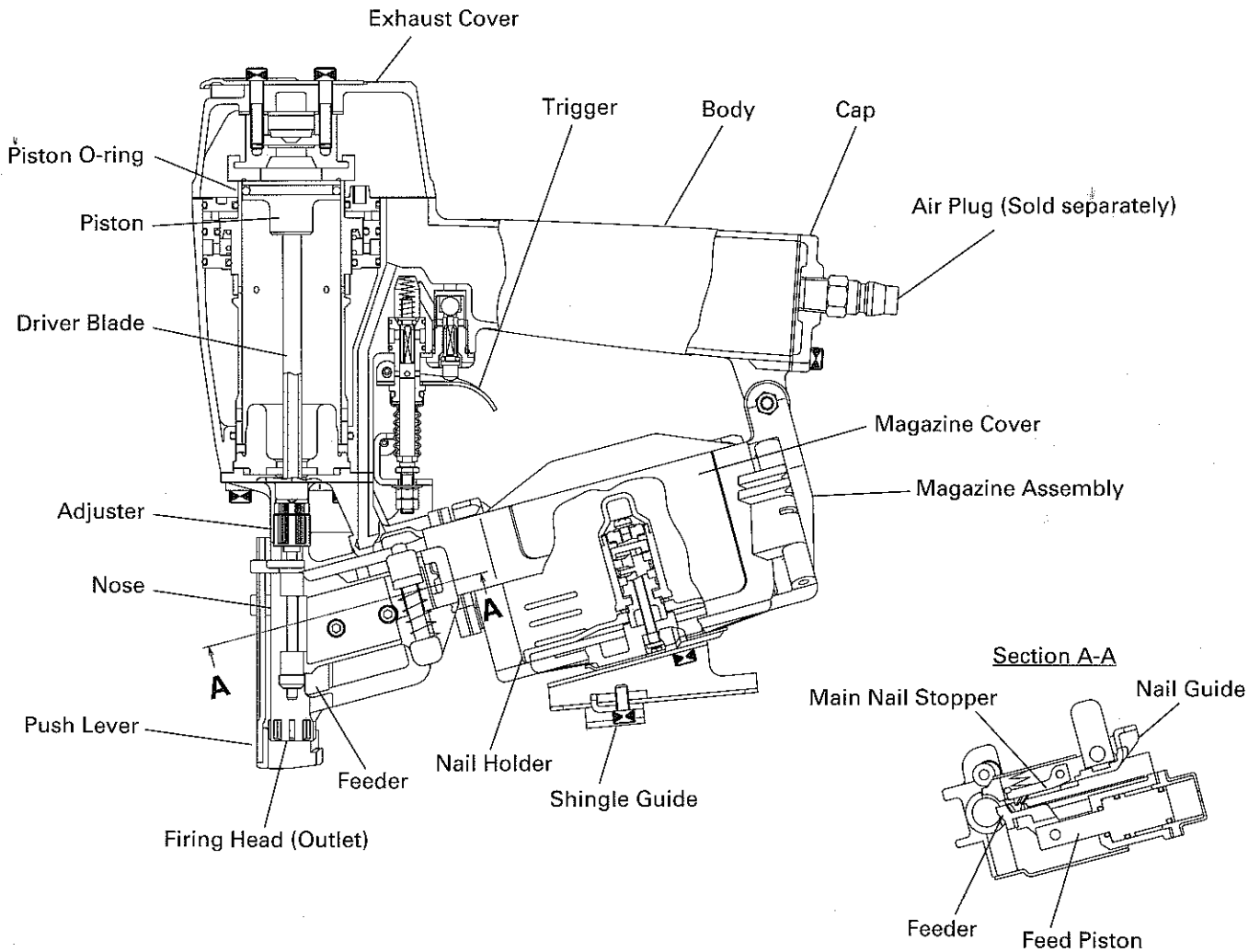
OPERATION

NOTE:

The information contained in this Manual is designed to assist you in the safe operation of the Nailer.

Some illustrations in this Manual may show details or attachments that differ from those on your own Nailer.

NAME OF PARTS



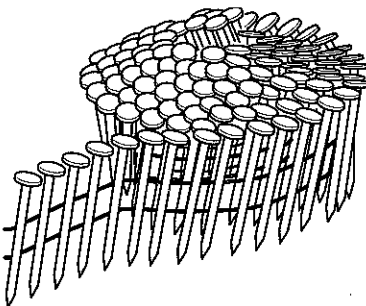
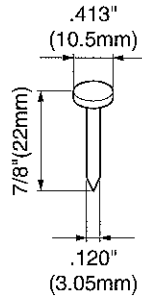

SPECIFICATIONS

Operating pressure	70 – 120 psi (4.9 – 8.3 bar 5 – 8.5 kgf/cm ²)
Dimensions Length × Height × Width	9-27/32" × 10-3/8" × 4-5/8" (250 mm × 264 mm × 117 mm)
Weight	5.5 lbs (2.5 kg)
Nail capacity	120 nails (1 coil)
Air consumption	.035 ft ³ /cycle at 100 psi (.99 ltr/cycle at 6.9 bar) (.99 ltr/cycle at 7 kgf/cm ²)
Air inlet	3/8 NPT Thread

NAIL SELECTION

Only nails shown in the Table below can be driven with this Nailer.

NOTE: Use only genuine Hitachi nails to assure nail quality and driving ease.

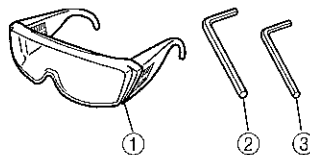
Wire-collated coil nails	Min.	Max.
		

ACCESSORIES

⚠ WARNING

● Accessories other than those shown below can lead to malfunction and resulting injuries.

STANDARD ACCESSORIES



① Eye protector	1
② Allen wrench for M5 screw	1
③ Allen wrench for M4 screw	1

OPTIONAL ACCESSORIES

... sold separately

- Sequential Trip Mechanism Kit (Code No. 878226)
(Single Shot Parts)
- Pneumatic Tool Lubricant
 - 1 oz. (30 cc) oil feeder (Code No. 877153)
 - 4 oz. (120 cc) oil feeder (Code No. 874042)
 - 1 quart (1 ltr) can (Code No. 876212)

NOTE: Accessories are subject to change without any obligation on the part of HITACHI.

APPLICATIONS

- Installation of asphalt roofing shingles in building construction.
- Installation of insulation boards in building construction.

BEFORE OPERATION

Read section titled "SAFETY" (pages 4 – 7).

Make sure of the followings before operation.

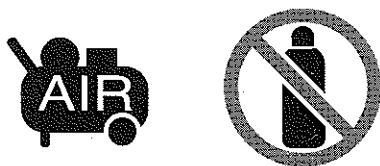
WORKING ENVIRONMENT

⚠ WARNING

- No flammable gas, liquid or other flammable objects at worksite.
- Clear the area of children or unauthorized personnel.

AIR SUPPLY

⚠ DANGER



- Never use oxygen, combustible gases or any other bottled gases.

⚠ WARNING

- Never connect Nailer to pressure which potentially exceeds 200 psi (13.7 bar 14 kgf/cm²).
- Never use non relieving coupler on Nailer.

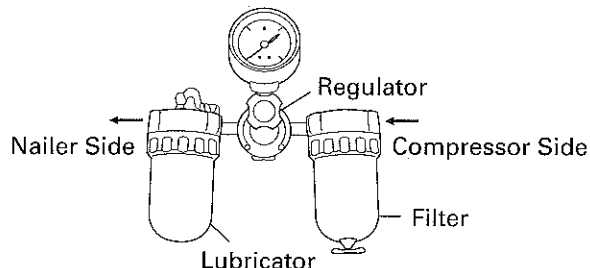
1. Power source

- Use only clean, dry, regulated compressed air as a power source for this Nailer.

- Air compressors used to supply compressed air to this Nailer must comply with the requirements of the latest version of ANSI Standard B 19.3 "Safety Standard For Compressors For Process Industries."
- Moisture or oil in the air compressor may accelerate wear and corrosion in the Nailer.
Drain daily.

2. Filter-Regulator-Lubricator

- Use a regulator with a pressure range of 0 – 120 psi (0 – 8.3 bar 0 – 8.5 kgf/cm²).
- Filter-regulator-lubricator units supply an optimum condition for the Nailer and extend the Nailer life. These units should always be used.
 - Filter The filter removes moisture and dirt mixed in compressed air.
Drain daily unless fitted with an automatic drain.
Keep the filter clean by regular maintenance.
 - Regulator The regulator controls the operating pressure for safe operation of the Nailer.
Inspect the regulator before operation to be sure it operates properly.
 - Lubricator The lubricator supplies an oil mist to the Nailer.
Inspect the lubricator before operation to be sure the supply of lubricant is adequate.
Use Hitachi pneumatic tool lubricant.

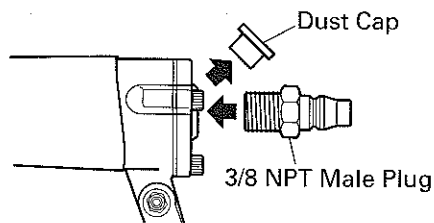


3. Air hose

Air hose must have a minimum working pressure rating of 150 psi (10.4 bar 10.6 kgf/cm²) or 150% of the maximum pressure produced in the system, whichever is higher.

4. Hose coupling

- The Nailer can be installed as follows:
Remove the dust cap placed at the air inlet.
Install a 3/8 NPT male plug at the air inlet.



- A female coupler must be on the air hose.
The hose coupling (male plug-female coupler) must remove all pressure from the Nailer when disconnected.
Never use a non relieving coupler on the Nailer.

5. Air consumption

Using the Air consumption table and the Air compressor size formula, find a correct compressor size.

Air consumption table

Operating pressure	psi	80	90	100
	(bar) (kgf/cm ²)	(5.5) (5.6)	(6.2) (6.3)	(6.9) (7)
Air consumption	ft ³ /cycle (ltr/cycle)	.025 (.71)	.030 (.85)	.035 (.99)

Air compressor size formula

Amount of air required
=number of Nailers
× average nails driven each minute per Nailer
× air consumption at given air pressure
× safety factor (always 1.2)

Example: 2 Nailers operating at 100 psi driving 30 nails per minute

Amount of air required
=2 × 30 × .035 (.99) × 1.2
=2.5 CFM (ft³/min) (71 ltr/min)

After making the calculations as shown above, you should find a compressor providing 2.5 CFM of air that is required.

LUBRICATION

It is important that the Nailer be properly lubricated. Without proper lubrication, the Nailer will not work properly and parts will wear prematurely.

- Use Hitachi pneumatic tool lubricant. Do not use detergent oil or additives. These lubricants will harm the O-rings and other rubber parts. This will cause the Nailer to malfunction.
- Filter-regulator-lubricator units should always be used. Keep the lubricator filled with Hitachi pneumatic tool lubricant.
- If a lubricator is not available, supply 5 – 10 drops of Hitachi pneumatic tool lubricant into the air plug on the Nailer twice a day.

COLD WEATHER CARE

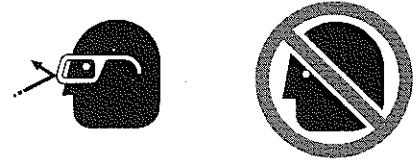
- Do not store the Nailer in a cold weather environment. Keep the Nailer in a warm area until beginning the work.
- If the Nailer is already cold, bring it in a warm area and allow the Nailer to warm up before use.
 - ① Reduce the air pressure to 64 psi (4.4 bar 4.5 kgf/cm²).
 - ② Remove all nails from the Nailer.
 - ③ Connect the air hose and free-fire (blank-fire) the Nailer. The lowered air pressure will be enough to free-fire the Nailer. Slow speed operation tends to warm up the moving part.

⚠ CAUTION

- Do not free-fire the Nailer at high pressure.

TESTING THE NAILER

⚠ DANGER



- Always wear eye protector.

⚠ WARNING

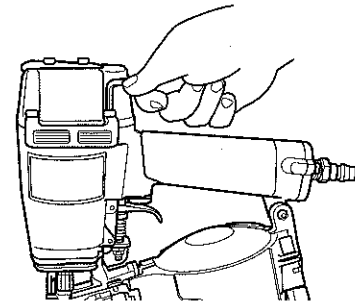
- Never use Nailer unless push lever is operating properly.

Before actually beginning the nailing work, test the Nailer by using the check list below. Conduct the tests in the following order.

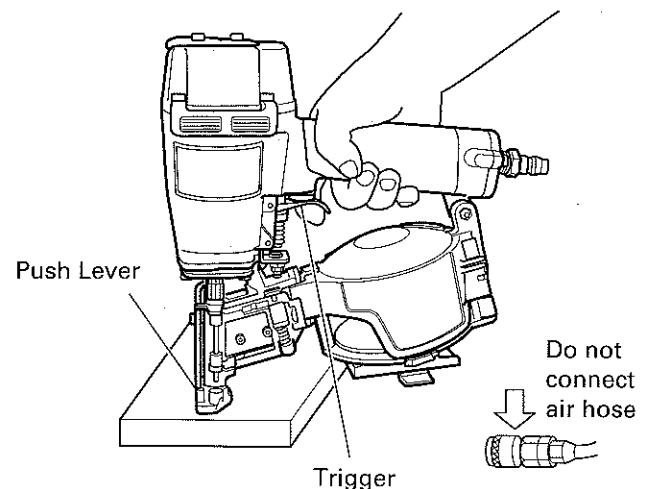
If abnormal operation occurs, stop using the Nailer and contact a Hitachi authorized service center immediately.

- (1) DISCONNECT AIR HOSE FROM NAILER. REMOVE ALL NAILS FROM NAILER.

- ALL SCREWS MUST BE TIGHTENED. If any screws are loose, tighten them.



- THE PUSH LEVER AND TRIGGER MUST MOVE SMOOTHLY.

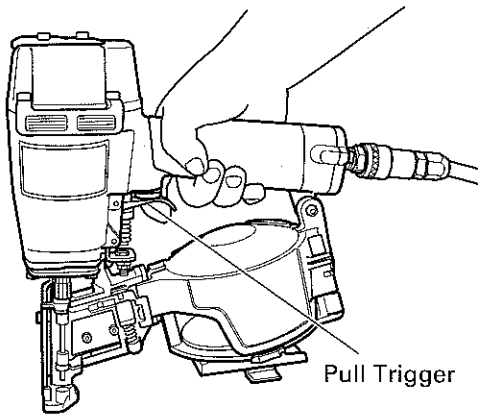


- (2) Adjust the air pressure to 70 psi (4.9 bar 5 kgf/cm²).
Connect the air hose.
Do not load any nails in the Nailer.

THE NAILER MUST NOT LEAK AIR.

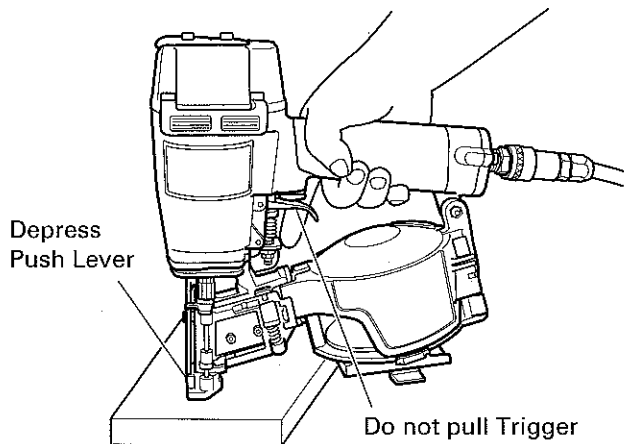
Hold the Nailer downward and pull the trigger.

THE NAILER MUST NOT OPERATE.



- (3) With finger off the trigger, depress the push lever against the workpiece.

THE NAILER MUST NOT OPERATE.



- (4) Without touching the trigger, depress the push lever against the workpiece.
Pull the trigger.

THE NAILER MUST OPERATE

- (5) With the Nailer off the workpiece, pull the trigger.
Depress the push lever against the workpiece.

THE NAILER MUST OPERATE.

- (6) If no abnormal operation is observed, you may load nails in the Nailer.
Drive nails into the workpiece that is the same type to be used in the actual application.

THE NAILER MUST OPERATE PROPERLY.

ADJUSTING AIR PRESSURE

⚠ WARNING



- Do not exceed 120 psi (8.3 bar 8.5 kgf/cm²).

Adjust the air pressure at recommended operating pressure 70 – 120 psi (4.9 – 8.3 bar 5 – 8.5 kgf/cm²) according to the length of nails and the hardness of workpiece.

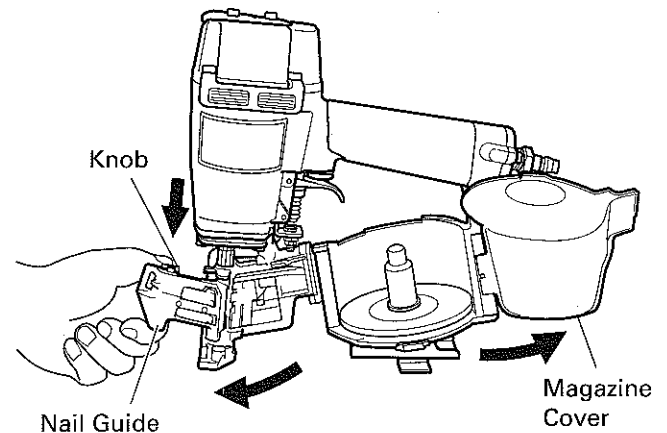
The correct air pressure is the lowest pressure which will do the job. Using the Nailer at a higher than required air pressure unnecessarily over stresses the Nailer.

LOADING NAILS

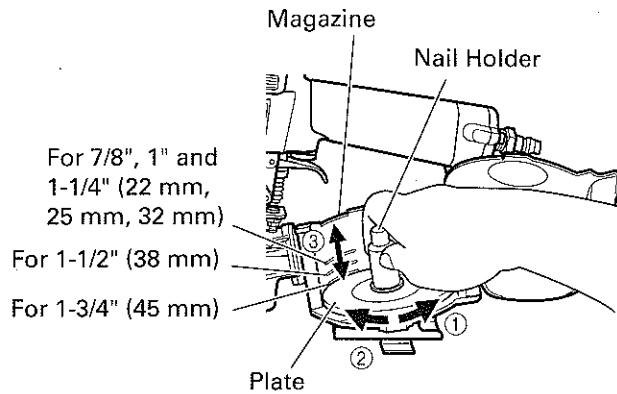
⚠ WARNING

- When loading nails into Nailer,
 - 1) do not pull trigger;
 - 2) do not depress push lever; and
 - 3) keep Nailer pointed downward.

- (1) Grip the nail guide and knob with your fingers. Press the knob down and swing the nail guide open. Then open the magazine cover.

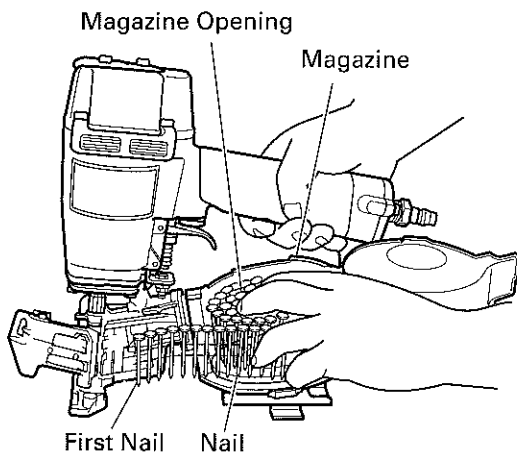


- (2) Adjust the position of the nail holder according to the nail length.
The nail will not feed smoothly if the nail holder is not correctly adjusted.
- ① Turn the nail holder about 90 degrees counterclockwise.
 - ② Move the nail holder up and down to align the plate of the nail holder with a mark on the magazine in accordance with the length of the nails being used.
 - ③ Turn the nail holder 90 degrees clockwise until you hear "click".

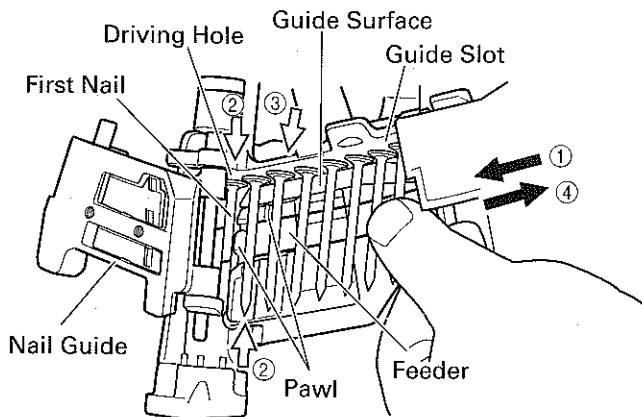


NOTE: Before loading nails in the magazine, adjust the nail holder. If the magazine cover is forcibly closed without adjusting the nail holder correctly, the nail holder may be damaged.

- (3) Place the nail coil in the magazine.
Insert the first nail into the magazine opening.



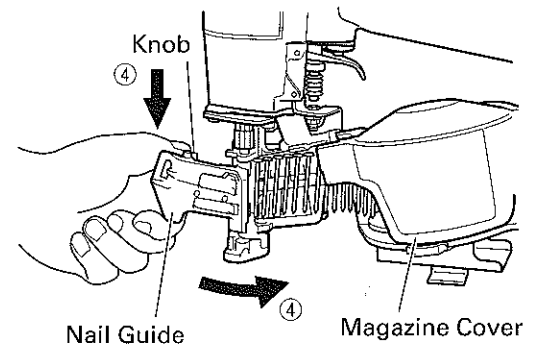
- (4) Close the magazine cover.
(5) ① Uncoil enough nails to reach the driving hole.
② Insert the first nail into the driving hole and the second nail between the two pawls of the feeder.
③ Fit the nail heads in the guide slot.



NOTE: Be careful not to deform the collated wires and not to disengage the nails with the guide surface. Otherwise, the nail guide will not close correctly.

- ④ Pulling the nails to the right
After checking and making sure that the magazine cover is closed, hook your fingers on the nail guide

and knob, turn the nail guide clockwise while pressing the knob downward, and then close the nail guide completely.



- (6) Lock the knob completely.

The Nailer is now ready to operate.

NAILER OPERATION

Read section titled "SAFETY" (pages 4 - 7).

⚠ DANGER



- Always wear eye protector with side shields which conforms to ANSI Z87.1 specifications.

⚠ WARNING

- Never point Nailer toward yourself or anyone else.
- Never carry with finger on trigger. Remove finger from trigger when not driving nails.
- Never place your hands or feet closer than 8 inches (200 mm) from firing head when using.
- Do not drive nails on top of other nails or with Nailer at too steep of an angle; nails can ricochet and hurt someone.
- In order to avoid double fire or unwanted ejection of a nail due to bouncing of the Nailer.
 - 1) do not push Nailer on workpiece with strong force;
 - 2) take Nailer away from workpiece using recoil;
 - 3) release trigger quickly when performing trigger fire.
- Do not drive nails into thin boards or near corners and edges of workpiece. Nails can be driven through or away from workpiece and hit someone.
- Never drive nails from both sides of a wall at the same time. Nails can be driven into and through the wall and hit a person on the opposite side.
- Never use Nailer which is defective or operating abnormally.

- Do not use Nailer as hammer.
- Disconnect air hose from Nailer when:
 - 1) it is not in use;
 - 2) leaving work area;
 - 3) moving it to another location; and
 - 4) handing it to another person.

This Hitachi nailer has a STANDARD CONTACT TRIP MECHANISM (Bounce Fire). An OPTIONAL SEQUENTIAL TRIP MECHANISM kit (SINGLE SHOT) is available as order part number 878226.

THE STANDARD CONTACT TRIP MECHANISM (Bounce Fire) is for use where rapid fastener placement is desired and must be operated in accordance with the following "Methods of Operation".

NOTE:

- Be careful that the final nail can be dropped or driven at an irregular angle.

METHODS OF OPERATION

This Nailer is equipped with the push lever and does not operate unless the push lever is depressed (upward position).

There are two methods of operation to drive nails with this Nailer.

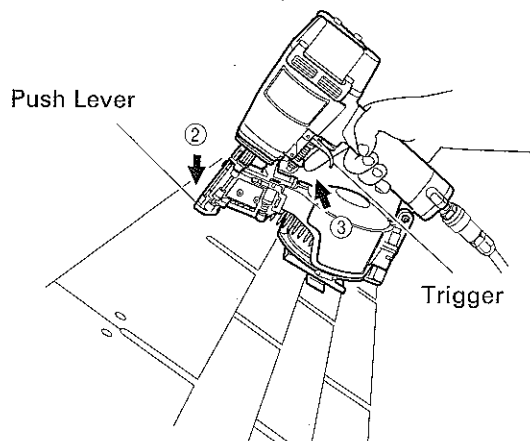
They are:

1. Intermittent operation (Trigger fire);
2. Continuous operation (Push lever fire);

(1) Intermittent operation (Trigger fire)

- ① Position the nail outlet on the workpiece with finger off the trigger.
- ② Depress the push lever firmly until it is completely depressed.
- ③ Pull the trigger to drive a nail.
- ④ Remove finger from the trigger.

To drive another nail, move the Nailer along the workpiece and repeat this procedure.

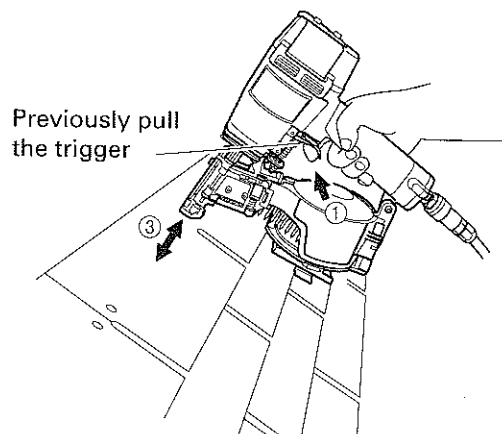


(2) Continuous operation (Push lever fire)

- ① Pull the trigger with the Nailer off the workpiece.
- ② Depress the push lever against the workpiece to drive a nail.
- ③ Move the Nailer along the workpiece with a bouncing motion.

Each depression of the push lever will drive a nail.

As soon as the desired number of nails have been driven, remove finger from the trigger.



⚠ WARNING

- Keep your finger off the trigger except during fastening operation, because serious injury could result if the push lever accidentally contacts you or others in work area.
- Keep hands and body away from the discharge area. The nailer with contact trip mechanism may bounce from the recoil of driving a fastener and unwanted subsequent fastener may be driven, possibly causing injury.
- Some types of loaded nails can spark out of the muzzle during a nail driving operation. Exercise caution!

THE OPTIONAL SEQUENTIAL TRIP MECHANISM (SINGLE SHOT PARTS) is for use where precision fastener placement is desired and must be operated in accordance with the following "Method of Operation".

You must first depress the push lever (upward position) where you want to drive a nail and then pull the trigger. After the each nail is driven, completely release the trigger and lift the tool off the work surface. An OPTIONAL SEQUENTIAL TRIP MECHANISM may reduce the possibility of bodily injury to you or others in the work area. This is because it is less likely to drive an unwanted nail if you keep the trigger pulled and accidentally bump the push lever against yourself or others. An OPTIONAL SEQUENTIAL TRIP MECHANISM may also reduce the speed of operation compared to the standard contact trip mechanism.

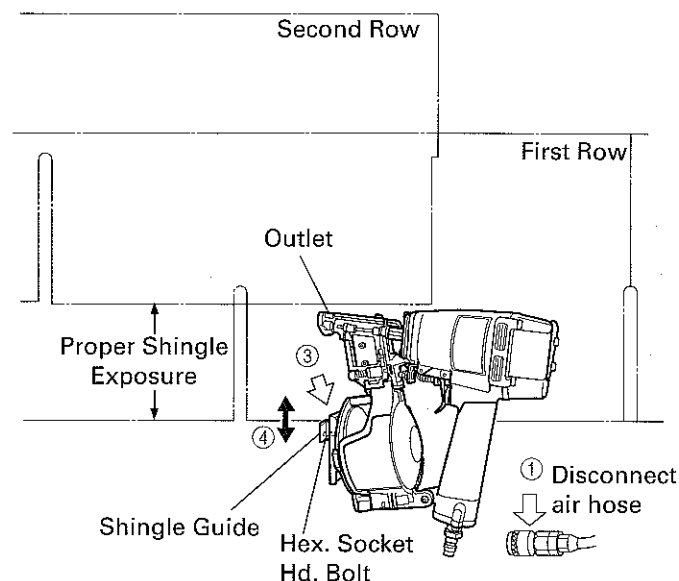
NOTE:

- Both STANDARD CONTACT TRIP MECHANISM and OPTIONAL SEQUENTIAL TRIP MECHANISM are safe if used as described above and according to all warnings and instructions.
- Always handle nails and package carefully. If nails are dropped, collating wire may be damaged and cut, which will cause mis-feeding and jamming.
- After nailing:
 - 1) disconnect air hose from the Nailer;
 - 2) remove all nails from the Nailer;
 - 3) supply 5 – 10 drops of Hitachi pneumatic tool lubricant into the air plug on the Nailer; and
 - 4) open the petcock on the air compressor tank to drain any moisture.

USING THE SHINGLE GUIDE

The shingle guide can be used to control shingle spacing. Adjust the shingle guide in the following order.

- ① DISCONNECT AIR HOSE FROM NAILER
- ② Loosen the hex. socket hd. bolt with the accessory Allen wrench.
- ③ Place the shingle guide against the bottom of the first row of shingles.
- ④ Adjust the distance between the outlet and the shingle guide to the proper shingle exposure by sliding the shingle guide.
- ⑤ Tighten the hex. socket hd. bolt.



NOTE:

- The proper shingle exposure will depend on the type of shingle and the manufacturer's specifications.
- The shingle guide is not to be utilized as an indicator of nail location.

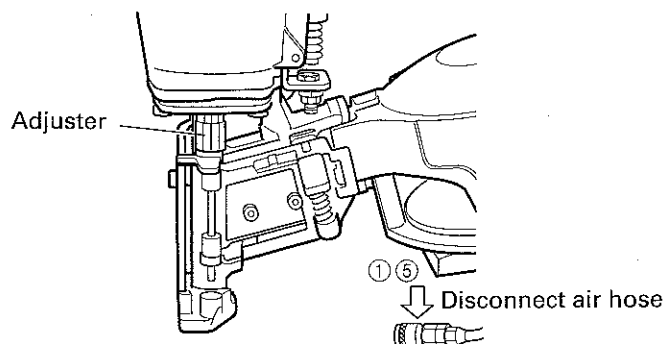
ADJUSTING THE NAILING DEPTH

To assure that each nail penetrates to the same depth, be sure that:

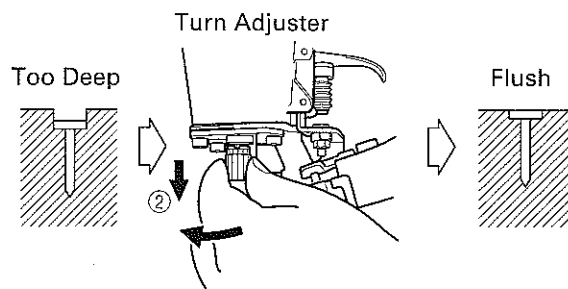
- 1) the air pressure to the Nailer remains constant (regulator is installed and working properly), and
- 2) the Nailer is always held firmly against the workpiece.

If nails are driven too deep or shallow into the workpiece, adjust the nailing in the following order.

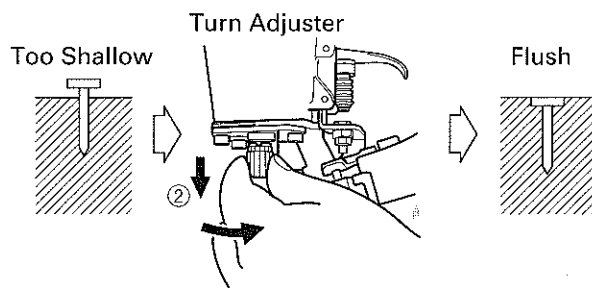
- ① DISCONNECT AIR HOSE FROM NAILER



- ② If nails are driven too deep, turn the adjuster counterclockwise while pulling it downward. When the adjuster is released, it returns upward. Furthermore, turn the adjuster until it reaches a position where it gets fixed with a clock.



If nails are driven too shallow, turn the adjuster clockwise while pulling it downward. When the adjuster is released, it return upward. Furthermore, turn the adjuster until it reaches a position where it gets fixed with a clock.



The adjuster can be fixed each at 1/4 rotation. The adjuster moves approximately 0.25mm per 1/4 rotation.

- ③ Stop turning the adjuster when a suitable position is reached for a nailing test.
- ④ Connect the air hose. ALWAYS WEAR EYE PROTECTOR. Perform a nailing test.
- ⑤ DISCONNECT AIR HOSE FROM NAILER.
- ⑥ Choose a suitable position for the adjuster.

MAINTENANCE

NOTE:

The information contained in this Manual is designed to assist you in the safe maintenance of the Nailer.

Some illustrations in this Manual may show details or attachments that differ from those on your own Nailer.

MAINTENANCE AND INSPECTION

Read section titled "SAFETY" (pages 4 – 7).

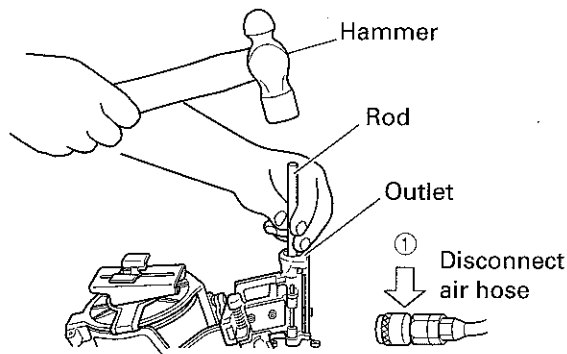
⚠ WARNING

- Disconnect air hose and remove all nails from Nailer when:
 - 1) doing maintenance and inspection; and
 - 2) clearing a jam.
- Never use gasoline or other highly flammable liquides for cleaning.

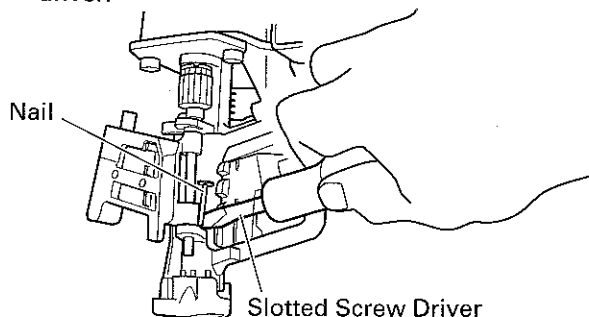
1. Clearing a jam

Remove a jammed nail in the following order :

- ① DISCONNECT AIR HOSE.
- ② Open the nail guide.
- ③ Insert a rod into the outlet.
Tap the rod with a hammer.



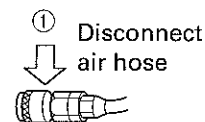
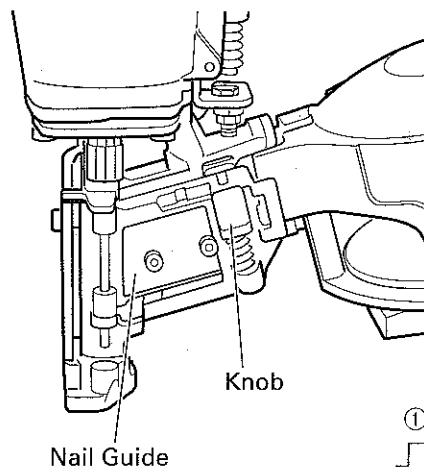
- ④ Remove the jammed nail with a slotted screw driver.



- ⑤ Cut the deformed collated wire with nippers. Correct the deformation.
- ⑥ In case of frequent jam, contact a Hitachi authorized service center.

2. Inspecting the feeders

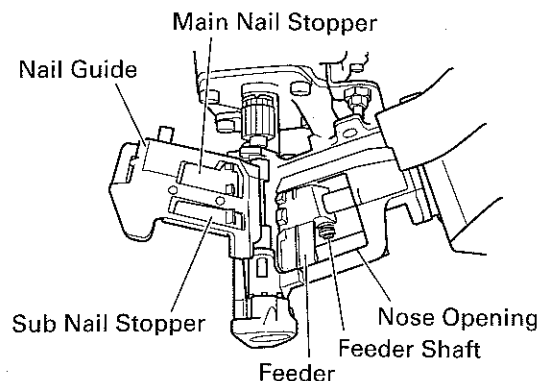
- ① DISCONNECT AIR HOSE.
- ② Clean the knob sliding part.
Lubricate it with Hitachi pneumatic tool lubricant.



- ③ Open the nail guide and remove dust.
Lubricate the nose opening and feeder shaft.

⚠ CAUTION

- Check that the main nail stopper and sub nail stopper slide smoothly by pushing them with finger. If not smooth, nails can be driven at an irregular angle and hurt someone.



- ④ Lubricate the feeding surfaces of the nose and the nail guide after cleaning.
This promotes smooth operation and prevents rust.

3. Cleaning and removal of tar and dirt

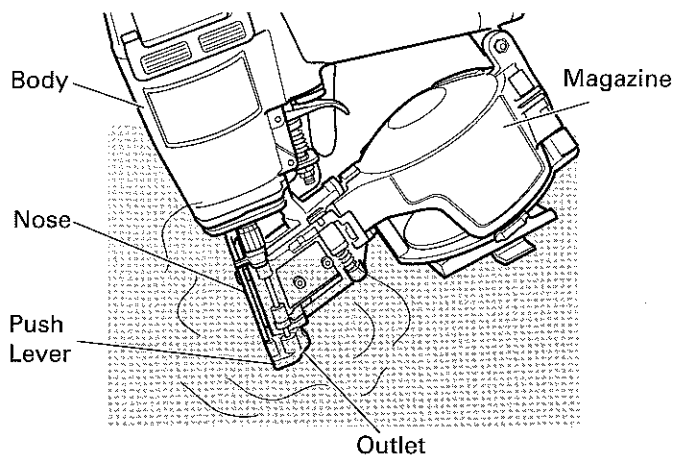
Tar and dirt may build up on the nose and push lever. This can prevent correct operation.

Clean and remove tar and dirt with kerosene, #2 fuel oil or diesel fuel.

NEVER USE GASOLINE or other highly flammable liquids.

Vapor of such liquids inside the Nailer could be ignited by a spark produced during nailing, which can cause an explosion.

- ① Immer only the area around the outlet in solvent. Do not immerse the magazine or body. Plastic parts and O-ring may be damaged.



- ② Dry off the Nailer before use. Any oil film left after cleanup will accelerate the tar buildup, and the Nailer will require more frequent re-cleaning.
- ③ Make sure the push lever operates properly.

⚠ WARNING

- Never use Nailer unless push lever is operating properly.

NOTE:

- Solvents sprayed on nose to clean and free up the push lever may have the opposite effect. The solvent may soften the tar on the shingles and cause tar buildup to be accelerated. Dry operation is better.

4. Inspecting the magazine

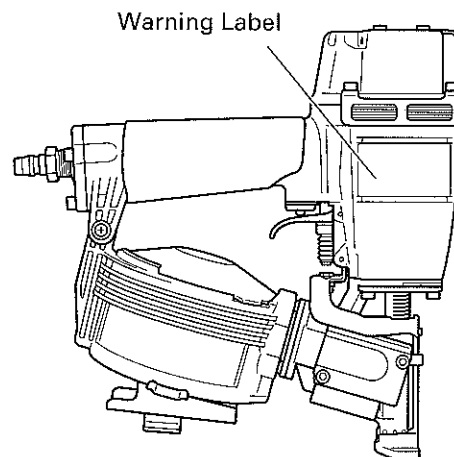
- ① DISCONNECT AIR HOSE.
- ② Clean the magazine. Remove dust or wooden tips which may have accumulated in the magazine.

5. Storing

- When not in use for an extended period, apply a thin coat of the lubricant to the steel parts to avoid rust.
- Do not store the Nailer in a cold weather environment. Keep the Nailer in a warm area.
- When not in use, the Nailer should be stored in a warm and dry place. Keep out of reach children.

6. WARNING LABEL

Change the WARNING LABEL if missing or damaged. A new WARNING LABEL is available from a Hitachi authorized service center.



7. Maintenance chart (See page 18)

8. Operator troubleshooting (See page 18)

SERVICE AND REPAIRS

⚠ WARNING

- Only service personnel trained by Hitachi, distributor or employer shall repair the Nailer.
- Use only parts supplied or recommended by Hitachi for repair.

All quality Nailers will eventually require servicing or replacement of parts because of wear from normal use.

NOTE:

Specifications are subject to change without any obligation on the part of HITACHI.

Maintenance chart

ACTION	WHY	HOW
Drain air line filter daily.	Prevent accumulation of moisture and dirt.	Open manual petcock.
Keep lubricator filled.	Keep the Nailer lubricated.	Fill with Hitachi pneumatic tool lubricant.
Clean filter element — then blow air through filter in direction opposite to normal flow.	Prevent clogging of filter with dirt.	Follow manufacturer's instructions.
Clean magazine and feeder mechanism.	Prevent a jam.	Blow clean daily.
Keep push lever working properly.	Promote operator safety and efficient Nailer operation.	Blow clean daily.
Lubricate the Nailer after nailing.	Extend the Nailer life.	Supply 5 – 10 drops of lubricant into the Nailer.
Drain air compressor.	Keep the Nailer operated properly.	Open petcock on air compressor tank.

Operator troubleshooting

Most minor problems can be resolved quickly and easily using the table below.

If problems persist, contact a Hitachi authorized service center for assistance.

PROBLEM	CHECK METHOD	CORRECTION
Nailer operates, but no nail is driven.	Open nail guide. Check for a jam.	Clear a jam per page 16.
	Check function of feeder per page 16.	Clean and lubricate.
	Check for proper nails.	Use only recommended nails.
Weak drive. Slow to cycle.	Check air pressure.	Increase air pressure. (Do not exceed 120 psi (8.3 bar 8.5 kgf/cm ²))
	Check position of adjuster per page 15.	Readjust.
	---	Use Hitachi pneumatic tool lubricant.
	Driver blade worn?	Contact Hitachi for replacement.
	Piston O-ring worn or damaged?	
Drives too deep.	Check air pressure.	Reduce air pressure. (Adjust 70 – 120 psi (4.9 – 8.3 bar 5 – 8.5 kgf/cm ²))
	Check position of adjuster per page 15.	Readjust.
Skipping nails. Intermittent feed.	Check for proper nails.	Use only recommended nails.
	Check function of nail feeder per page 16.	Clean and lubricate.
	---	Use Hitachi pneumatic tool lubricant.
	Check position of nail holder in magazine per page 12.	Adjust nail holder to proper position.
	Piston O-ring cut or heavily worn?	Contact Hitachi for replacement.
Nails jam. Driven nail is bent.	Check for proper nails.	Use only recommended nails.
	Driver blade worn?	Contact Hitachi for replacement.
Drives properly during normal operation, but does not drive fully at faster nailing speeds.	Check inside diameter of air hose.	Use larger air hose.

INFORMATION IMPORTANTE

LIRE ET BIEN ASSIMILER TOUTES LES INSTRUCTIONS D'UTILISATION, LES PRECAUTIONS DE SECURITE ET LES AVERTISSEMENTS DU MANUEL AVANT D'UTILISER OU D'ENTREtenir LE CLOUEUR.

La plupart des accidents résultant de l'utilisation ou de l'entretien des cloueurs sont dus au non respect de certaines consignes et précautions de sécurité élémentaires. Un accident peut souvent être évité en reconnaissant une situation potentiellement dangereuse avant qu'elle ne se produise, et en respectant les procédures de sécurité applicables.

Les consignes de sécurité élémentaires sont données dans la section "SECURITE" du manuel et dans les sections relatives aux instructions d'utilisation et d'entretien.

Les dangers à éviter pour empêcher tout risque de blessures ou de dommage de l'outil sont identifiés par les mots **DANGER** et **AVERTISSEMENT**, sur le cloueur et dans ce manuel.

Ne jamais utiliser ce cloueur pour des applications autres que celles qui sont spécifiées dans ce manuel.

DEFINITION DES MOTS DE SIGNALISATION

DANGER indique une situation imminente dangereuse qui, si elle n'est pas évitée, entraînera la mort ou des blessures graves.

AVERTISSEMENT indique une situation potentiellement dangereuse qui, si elle n'est pas évitée, risque d'entraîner la mort ou des blessures graves.

ATTENTION indique une situation potentiellement dangereuse qui, si elle n'est pas évitée, risque d'entraîner des blessures légères ou modérées, ou d'endommager l'outil.

REMARQUE met en relief les informations essentielles.

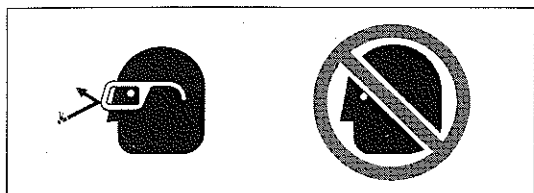
SECURITE

CONSIGNES DE SECURITE IMPORTANTES POUR L'UTILISATION DU CLOUEUR

LIRE TOUTES CES INSTRUCTIONS.

⚠ DANGER

1. TOUJOURS PORTER DES LUNETTES DE PROTECTION.

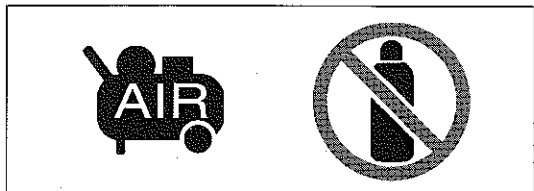


Quand on utilise le cloueur, toujours porter des lunettes de protection avec visières latérales, et veiller à ce que les autres personnes dans la zone de travail en portent également.

Les lunettes de protection devront respecter les exigences de l'ANSI (American National Standards Institute) Z87.1 et assurer la protection contre les projections de particules arrivant par l'avant ou par le côté.

L'employeur doit veiller à ce que la personne qui utilise le cloueur et les autres personnes dans l'aire de travail portent des lunettes de protection.

2. NE JAMAIS UTILISER DE GAZ EN BOUTEILLE.

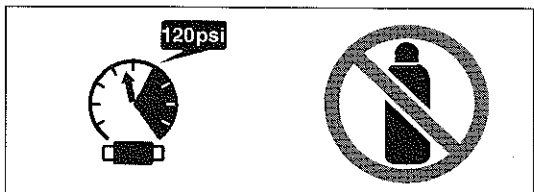


Ne jamais utiliser d'oxygène, de gaz combustibles ni aucun autre gaz en bouteille comme source d'alimentation du cloueur.

L'utilisation de ces gaz serait dangereuse, car le cloueur exploserait. Utiliser exclusivement de l'air comprimé propre, sec et régulé.

⚠ AVERTISSEMENT

3. NE PAS DEPASSER 120 PSI.



Ne pas dépasser la pression d'air maximale recommandée de 120 psi (8,3 bars, 8,5 kgf/cm²).

Ne jamais raccorder le cloueur à une pression susceptible de dépasser 200 psi (13,7 bars, 14 kgf/cm²) car le cloueur pourrait exploser.

4. NE JAMAIS CLOUER VERS SOI NI VERS QUELQU'UN D'AUTRE.

Toujours supposer que le cloueur renferme des clous. Ne jamais diriger le cloueur vers soi ni vers quelqu'un d'autre.

Si l'on enfonce des clous par erreur, cela risque de provoquer des blessures graves.

Ne jamais s'amuser avec le cloueur.

Le cloueur est un instrument de travail. Le respecter.

5. NE JAMAIS TRANSPORTER L'OUTIL AVEC LE DOIGT SUR LA GACHETTE.

Retirer le doigt de la gâchette quand on n'enfonce pas de clous.

Ne jamais transporter l'outil avec le doigt sur la gâchette, car on risquerait d'enfoncer accidentellement un clou et de se blesser ou de blesser quelqu'un d'autre.

Toujours transporter le cloueur exclusivement par sa poignée.

6. TOUJOURS PORTER DES PROTECTIONS ANTI-BRUIT ET UN CASQUE.

Toujours porter des protections anti-bruit pour ne pas s'endommager l'ouïe.

Toujours porter un casque pour se protéger la tête contre les projectiles.

SECURITE — suite

⚠ AVERTISSEMENT

7. **RANGER LE CLOUEUR CORRECTEMENT.**
Quand on ne s'en sert pas, ranger le cloueur dans un endroit sec. Le ranger hors de portée des enfants. Verrouiller la zone de rangement.
8. **MAINTENIR L'AIRE DE TRAVAIL PROPRE.**
Une aire encombrée invite les blessures. Enlever tous les outils inutiles, débris, meubles, etc. de l'aire de travail.
9. **NE JAMAIS UTILISER EN PRESENCE DE LIQUIDES OU DE GAZ INFLAMMABLES.**
Le cloueur provoque des étincelles quand il fonctionne.
Ne jamais utiliser le cloueur dans un endroit renfermant de la laque, de la peinture, de la benzine, du diluant, de l'essence, des gaz, des agents adhésifs ni aucune autre matière combustible ou explosive.
10. **ELOIGNER LES VISITEURS.**
Ne pas laisser les visiteurs manipuler le cloueur.
Tous les visiteurs devront rester en dehors de l'aire de travail.
11. **PORTER UN HABILLEMENT APPROPRIE.**
Ne porter ni vêtements lâches ni bijoux qui pourraient se prendre dans les pièces en mouvement.
Porter des gants de caoutchouc et des chaussures solides si l'on travaille dehors.
Si l'on a les cheveux longs, les maintenir serrés dans un couvre-chef.
12. **NE JAMAIS UTILISER DE COUPLEUR NON DEGAGEANT SUR LE CLOUEUR.**
Si l'on utilise un coupleur non dégageant sur le cloueur, le cloueur risque de rester chargé d'air après le débranchement, et donc d'enfoncer un clou même après qu'il est débranché.
Le cloueur et le tuyau d'air doivent avoir un coupleur de tuyau tel que toute la pression soit évacuée du cloueur quand on débranche le joint de couplage.
13. **VERIFIER LE LEVIER-POUSOIR AVANT L'UTILISATION.**
S'assurer que le levier-poussoir fonctionne correctement. (Le levier-poussoir est parfois appelé "sécurité".) Ne jamais utiliser le cloueur si le levier-poussoir ne fonctionne pas correctement. Un clou pourrait s'enfoncer accidentellement. Ne pas toucher au levier-poussoir ni le retirer, car il pourrait ne plus fonctionner.
14. **VEILLER A CE QUE TOUTES LES VIS ET LES COUVERCLES SOIENT EN PLACE ET BIEN SERRES.**
Veiller à ce que les vis et les couvercles soient solidement fixés. Les vérifier périodiquement.
Ne jamais utiliser le cloueur si des pièces manquent ou sont endommagées.
15. **NE PAS CHARGER DE CLOUS SI LA GACHETTE OU LE LEVIER-POUSOIR SONT ENFONCES.**
Quand on charge des clous dans le cloueur ou qu'on raccorde le tuyau d'air,
 - 1) ne pas appuyer sur la gâchette.
 - 2) ne pas actionner le levier-poussoir ; et
 - 3) diriger le cloueur vers le bas.
16. **ELOIGNER LES MAINS ET LES PIEDS DE LA TETE DE CLOUAGE PENDANT L'UTILISATION.**
Ne jamais approcher les mains ni les pieds à moins de 8 pouces (200 mm) de la tête de clouage.
Il y a risque de blessures graves si les clous sont déviés par la pièce ou qu'ils sont déportés au-delà du point d'entrée.
17. **PLACER LE CLOUEUR CORRECTEMENT SUR LA PIECE.**
Ne pas enfoncer de clous sur d'autres clous ni avec le cloueur à un angle trop aigu ; les clous pourraient ricocher et blesser quelqu'un.
18. **FAIRE ATTENTION AUX DOUBLES ACTIVATIONS DUES AU RAPPEL.**
Si on laisse le levier-poussoir entrer accidentellement en contact avec la pièce après le rappel, un clou risque d'être enfoncé.
Pour éviter ce risque :
 - 1) ne pas appuyer le cloueur trop fort contre la pièce;
 - 2) éloigner complètement le cloueur de la pièce avec le rappel, et maintenir le levier-poussoir à distance de la pièce jusqu'à l'opération de clouage suivante ;
 - 3) tirer sur la gâchette et la relâcher RAPIDEMENT lors d'opérations intermittentes (déclenchement par gâchette).
19. **NE PAS ENFONCER DE CLOUS DANS DES PLANCHES MINCES NI PRES DES COINS ET DES BORDS DE LA PIECE.**
Les clous pourraient traverser la pièce ou s'enfoncer ailleurs que dans la pièce et blesser quelqu'un.
20. **NE JAMAIS ENFONCER DE CLOUS DES DEUX COTES D'UN MUR EN MEME TEMPS.**
Les clous pourraient traverser le mur et blesser quelqu'un de l'autre côté.
21. **VERIFIER S'IL Y A DES FILS SOUS TENSION.**
Pour éviter tout risque d'électrocution grave, vérifier s'il y a des fils sous tension dissimulés dans le mur, le plancher ou le plafond. Couper le disjoncteur pour s'assurer qu'il n'y a pas de fils sous tension.
22. **NE PAS TRANSPORTER LE CLOUEUR PAR LE TUYAU.**
23. **NE PAS TROP SE PENCHER.**
Conservé une bonne assise et un bon équilibre à tout moment.

SECURITE – suite

⚠ AVERTISSEMENT

24. NE JAMAIS UTILISER UN CLOUEUR DEFECTUEUX OU QUI NE FONCTIONNE PAS NORMALEMENT.

Si le cloueur semble ne pas fonctionner comme d'habitude, qu'il fait des bruits bizarres ou qu'il semble défectueux, cesser immédiatement de l'utiliser et le faire réparer par un service après-vente Hitachi agréé.

25. NE PAS DEBRANCHER LE TUYAU D'AIR DU CLOUEUR AVEC LE DOIGT SUR LA GACHETTE.

Le cloueur pourrait se déclencher lorsque l'air sera à nouveau alimenté.

26. DEBRANCHER LE TUYAU D'AIR DU CLOUEUR QUAND:

- 1) on entretient ou inspecte le cloueur ;
- 2) on retire des clous coincés ;
- 3) on ne s'en sert pas ;
- 4) on quitte l'aire de travail ;
- 5) on le transporte dans un autre endroit ; et
- 6) on le passe à quelqu'un d'autre.

Ne jamais retirer des clous coincés ni réparer le cloueur si le tuyau d'air n'est pas débranché du cloueur et que les clous restants ne sont pas tous retirés du cloueur.

Ne jamais s'éloigner du cloueur car des personnes non familiarisées avec son fonctionnement pourraient le manipuler et se blesser.

27. RESTER SUR SES GARDES.

Regarder ce que l'on fait. Faire preuve de bon sens. Ne pas utiliser le cloueur lorsqu'on est fatigué. Ne jamais utiliser le cloueur si l'on est sous l'influence de médicaments, d'alcool ou de toute autre substance soporifique.

28. MANIPULER LE CLOUEUR CORRECTEMENT.

Utiliser le cloueur en suivant les instructions du manuel.

Ne jamais permettre que le cloueur soit utilisé par des enfants, des personnes non familiarisées avec son fonctionnement ou des personnes non autorisées.

29. NE JAMAIS UTILISER LE CLOUEUR POUR DES APPLICATIONS AUTRES QUE CELLES QUI SONT SPECIFIEES DANS CE MANUEL.

30. MANIPULER LE CLOUEUR AVEC PRECAUTION.

A cause de la pression d'air élevée à l'intérieur du cloueur, les fissures en surface sont dangereuses. Pour éviter tout risque, ne pas faire tomber le cloueur ni le heurter contre des surfaces dures ; et ne pas le rayer ni graver des inscriptions dessus. Manipuler le cloueur avec précaution.

31. ENTRETENIR SOIGNEUSEMENT LE CLOUEUR.

Veiller à ce que le cloueur soit toujours propre et graissé pour obtenir un fonctionnement optimal et en toute sécurité.

32. UTILISER EXCLUSIVEMENT DES PIECES, ACCESSOIRES OU CLOUS FOURNIS OU RECOMMANDES PAR HITACHI.

Des pièces, accessoires ou clous non autorisés pourraient annuler la garantie, entraîner un mauvais fonctionnement et provoquer des blessures. Les réparations du cloueur seront confiées exclusivement au personnel d'entretien formé par Hitachi, au distributeur ou à l'employeur.

33. NE JAMAIS MODIFIER NI ALTÉRER UN CLOUEUR.

Cela pourrait provoquer un mauvais fonctionnement et entraîner des blessures physiques.

SECURITE – suite

IMPORTANTES INSTRUCTIONS DE SECURITE POUR L'UTILISATION DU CLOUEUR NV45AB2

⚠ AVERTISSEMENT

- | | |
|---|--|
| <p>1. FERMER LE GUIDE-CLOUS ET NE PAS L'OUVRIR PENDANT LE FONCTIONNEMENT.
Si l'on enfonce des clous avec le guide-clous ouvert, les clous risquent d'être déviés de la pièce.</p> <p>2. MAINTENIR LE CORPS PRINCIPAL TOURNE VERS LE HAUT OU LE CÔTE DU GUIDE-CLOUS TOURNE VERS LE BAS PENDANT LE CHARGEMENT DES CLOUS, ET NE PAS OUVRIR LE MAGASIN.
Les clous risqueraient de tomber et de blesser l'utilisateur.</p> | <p>3. NE JAMAIS SE SERVIR D'ESSENCE OU DE LIQUIDES HAUTEMENT INFLAMMABLES POUR EFFECTUER L'ENTRETIEN DE L'OUTIL.
En effet, les vapeurs de ces liquides accumulées dans le cloueur peuvent s'enflammer par la production des étincelles pendant le clouage, ce qui peut se traduire par une explosion.</p> |
|---|--|

RESPONSABILITES DE L'EMPLOYEUR

- | | |
|---|--|
| <p>1. Veiller à ce que ce MANUEL reste à la disposition des personnes qui doivent utiliser ou entretenir le cloueur.</p> <p>2. Veiller à ce que les cloueurs soient utilisés exclusivement lorsque les opérateurs et les autres personnes présentes dans l'aire de travail portent des LUNETTES DE PROTECTION.</p> <p>3. Obliger les opérateurs et les autres personnes présentes dans l'aire de travail à porter des LUNETTES DE PROTECTION.</p> | <p>4. Maintenir les cloueurs en bon ordre de marche.</p> <p>5. Entretenir les cloueurs correctement.</p> <p>6. Veiller à ce que les cloueurs qui ont besoin d'être réparés ne soient plus utilisés avant d'être réparés.</p> |
|---|--|

**CONSERVER CE MANUEL ET LE METTRE
A LA DISPOSITION DES UTILISATEURS !**

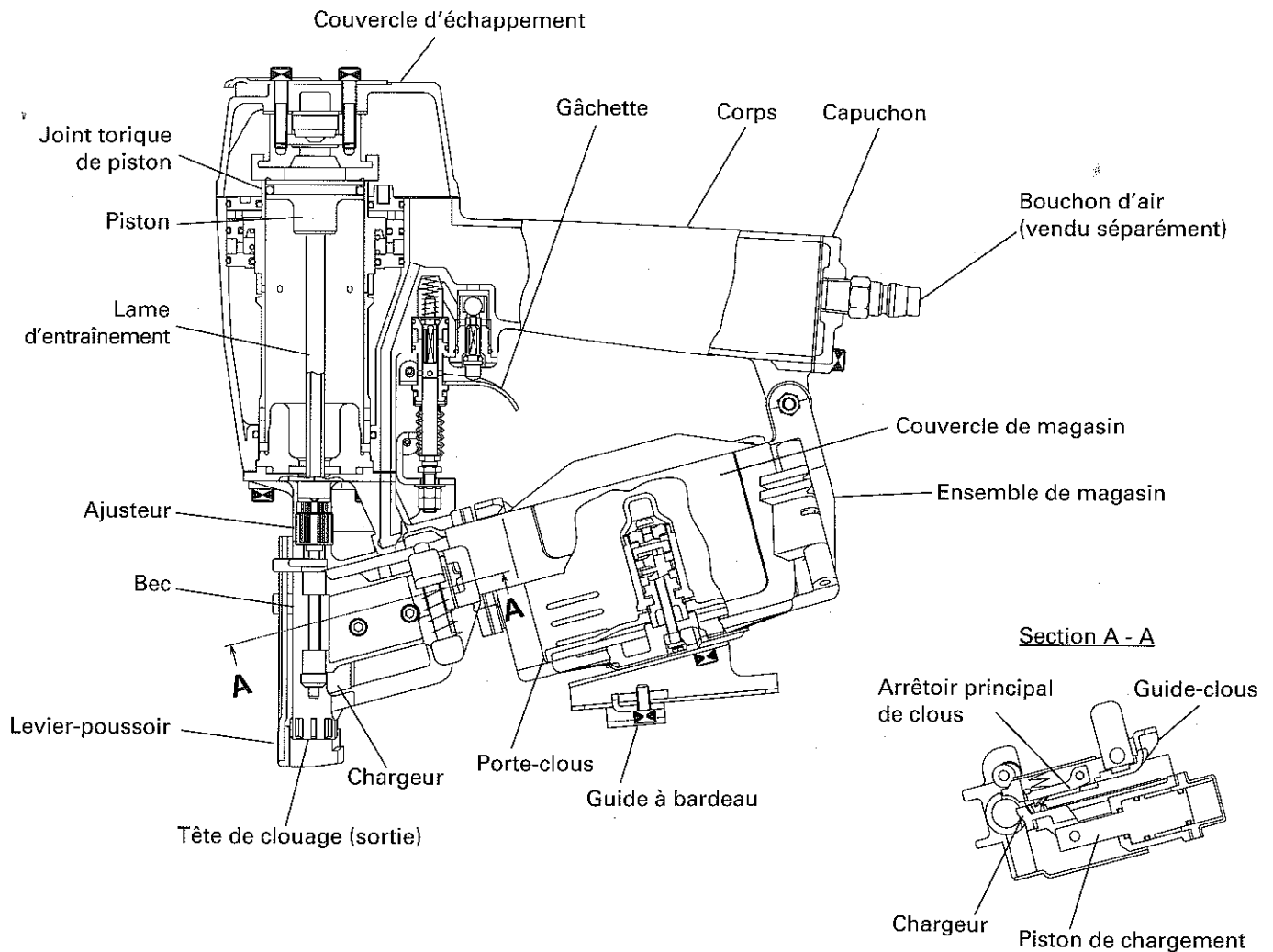
UTILISATION

REMARQUE:

Les informations contenues dans ce manuel ont pour but d'aider l'opérateur à utiliser le cloueur en toute sécurité.

Certaines des illustrations du manuel peuvent montrer des détails ou des accessoires qui diffèrent de ceux de votre cloueur.

NOM DES PIÈCES



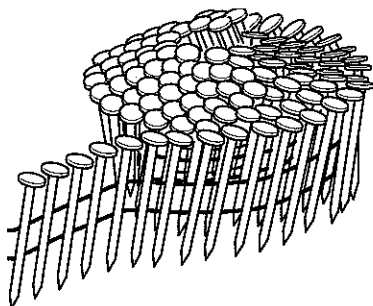
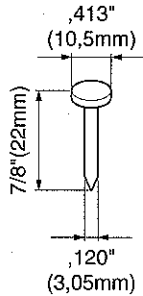
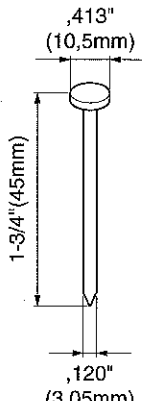
SPECIFICATIONS

Pression d'utilisation	70 – 120 psi (4,9 – 8,3 bars, 5 – 8 kgf/cm ²)
Dimensions Longueur × hauteur × largeur	9-27/32" × 10-3/8" × 4-5/8" (250 mm × 264 mm × 117 mm)
Poids	5,5 lbs (2,5 kg)
Contenance de clous	120 clous (1 bobine)
Consommation d'air	,035 ft ³ /cycle à 100 psi (,99 l/cycle à 6,9 bars) (,99 l/cycle à 7 kgf/cm ²)
Arrivée d'air	Filetage 3/8 NPT

SELECTION DES CLOUS

Seuls les clous indiqués dans le tableau ci-dessous pourront être utilisés avec ce cloueur.

REMARQUE: Utiliser uniquement les clous Hitachi garantis d'origine pour assurer la qualité des clous et un enfoncement facile.

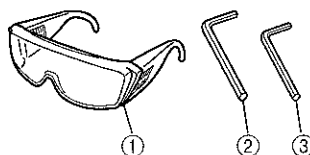
Bobine de clous fixés par fil	Min.	Max.
		

ACCESSOIRES

⚠ AVERTISSEMENT

- Les accessoires autres que ceux indiqués ci-dessous risquent de mal fonctionner et de provoquer des blessures.

ACCESSOIRES STANDARD



① Lunettes de protection	1
② Clé Allen pour vis M5	1
③ Clé Allen pour vis M4	1

ACCESSOIRES EN OPTION

... vendus séparément

- Mécanisme de déclenchement par contact (Code No. 878226) (activation par band)
- Huile de machine pneumatique
Alimenteur d'huile 1 oz (30 cc) (Code No. 877153)
Alimenteur d'huile 4 oz (120 cc) (Code No. 874042)
Alimenteur d'huile 1 quart (1 l) (Code No. 876212)

REMARQUE: Les accessoires sont sujets à modification sans préavis et sans aucune obligation de la part de HITACHI.

APPLICATIONS

- Fixation de bardeaux de toiture en asphalte dans la construction des bâtiments.
- Fixation des panneaux isolants dans la construction des bâtiments.

AVANT L'UTILISATION

Lire la section intitulée "SECURITE" (pages 20 – 23).

Bien vérifier les points suivants avant de travailler.

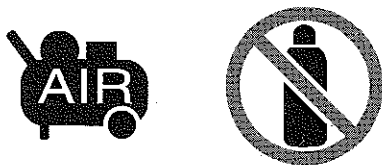
ENVIRONNEMENT DE TRAVAIL

⚠ AVERTISSEMENT

- Pas de gaz ou liquides inflammables, ni aucun autre objet inflammable sur le chantier.
- Evacuer les enfants et les personnes non autorisées de l'aire de travail.

ALIMENTATION D'AIR

⚠ DANGER



- Ne jamais utiliser d'oxygène, de gaz combustibles ni aucun autre gaz en bouteille.

⚠ AVERTISSEMENT

- Ne jamais raccorder le cloueur à une pression qui risque de dépasser 200 psi (13,7 bars, 14 kgf/cm²).
- Ne jamais utiliser de coupleur non dégageant sur le cloueur.

1. Alimentation

- Utiliser exclusivement de l'air comprimé propre, sec et régulé avec ce cloueur.

- Les compresseurs d'air utilisés pour alimenter l'air comprimé au cloueur devront respecter les exigences ANSI B19.3 "Normes de sécurité pour les compresseurs des industries de transformation".
- L'humidité ou l'huile dans le compresseur d'air peuvent accélérer l'usure et la corrosion du cloueur. Purger tous les jours.

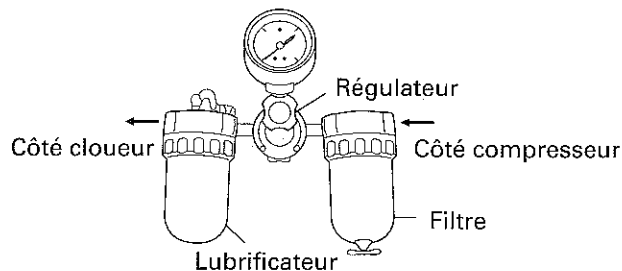
2. Filtre-régulateur-lubrificateur

- Utiliser un régulateur d'une pression comprise entre 0 – 120 psi (0 – 8,3 bars, 0 – 8,5 kgf/cm²).
- Les unités filtre-régulateur-lubrificateur procureront les conditions optimales du cloueur et accroîtront sa durée de service. Toujours les utiliser.

Filtre Le filtre enlève l'humidité et la saleté mélangées à l'air comprimé. Purger tous les jours, sauf si l'outil possède une purge automatique. Nettoyer régulièrement le filtre.

Régulateur Le régulateur contrôle la pression de fonctionnement afin d'assurer la sécurité du cloueur. Inspecter le régulateur avant le travail pour s'assurer qu'il fonctionne correctement.

Lubrificateur Le lubrificateur alimente de l'huile vaporisée au cloueur. Inspecter le lubrificateur avant le travail pour s'assurer que l'alimentation d'huile est adéquate. Utiliser une huile de machine pneumatique Hitachi.

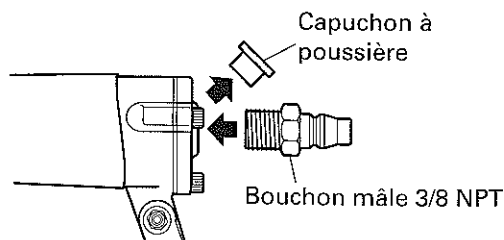


3. Tuyau d'air

Le tuyau d'air doit avoir une pression de travail minimum de 150 psi (10,4 bars, 10,6 kgf/cm²) ou 150% de la pression maximum produite par le système, à savoir la plus élevée.

4. Couplage de tuyau

- Le cloueur s'installe comme suit : Retirer le capuchon à poussière situé sur l'arrivée d'air. Installer un bouchon mâle 3/8 NPT sur l'arrivée d'air.



- Le coupleur femelle doit être placé sur le tuyau d'air. Le couplage de tuyau (bouchon mâle-coupleur femelle) doit supprimer toute la pression du cloueur lorsqu'il est débranché. Ne jamais utiliser de coupleur non dégageant sur le cloueur.

5. Consommation d'air

Sélectionner la taille du compresseur en se reportant au tableau de consommation d'air et aux formules de taille du compresseur.

Tableau de consommation d'air

Pression de fonctionnement	psi	80	90	100
	(bar) (kgf/cm ²)	(5,5) (5,6)	(6,2) (6,3)	(6,9) (7)
Consommation d'air	ft ³ /cycle	,025	,030	,035
	(ltr/cycle)	(,71)	(,85)	(,99)

Formules de taille du compresseur d'air

Quantité d'air requise

= nombre de clous

× clous moyens enfoncés par minute par le cloueur

× consommation d'air à une pression donnée

× facteur de sécurité (toujours 1,2)

Exemple: 2 cloueurs fonctionnant à 100 psi et enfonçant 30 clous par minute

Quantité d'air requise

= 2 × 30 × ,035 (,99) × 1,2

= 2,5 CFM (ft³/mn) (71 l/mn)

Effectuer le calcul ci-dessus pour obtenir un compresseur fournissant les 2,5 CFM d'air nécessaires.

GRAISSAGE

Il est essentiel que le cloueur soit graissé correctement. Si le cloueur est mal graissé, il ne fonctionnera pas correctement et les pièces s'useront prématurément.

- Utiliser une huile de machine Hitachi. Ne pas utiliser d'huile détergente ni d'additifs. Ces lubrifiants endommageraient les joints toriques et les autres pièces en caoutchouc. Cela provoquerait un mauvais fonctionnement du cloueur.
- Toujours utiliser des unités filtre-régulateur-lubrificateur. Veiller à ce que le régulateur soit toujours plein d'huile de machine pneumatique Hitachi.
- Si l'on ne possède pas de lubrificateur, mettre 5 à 10 gouttes d'huile de machine pneumatique Hitachi dans le bouchon d'air du cloueur deux fois par jour.

ENTRETIEN PAR TEMPS FROID

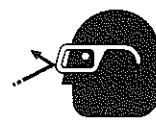
- Ne pas ranger le cloueur dans un environnement froid. Le laisser dans un endroit chaud jusqu'à ce que l'on soit prêt à travailler.
- Si le cloueur est déjà froid, l'amener dans un endroit chaud et le laisser réchauffer avant de l'utiliser.
 - ① Réduire la pression d'air à 64 psi (4,4 bars, 4,5 kgf/cm²).
 - ② Sortir tous les clous du cloueur.
 - ③ Raccorder le tuyau d'air et faire un essai de clouage (clouage à blanc). La pression d'air inférieure sera suffisante pour le clouage à blanc. Les opérations à vitesse lente ont tendance à chauffer les pièces mobiles.

⚠ ATTENTION

- Ne pas faire un essai de clouage à blanc à haute pression.

ESSAI DU CLOUEUR

⚠ DANGER



- Toujours porter des lunettes de protection.

⚠ AVERTISSEMENT

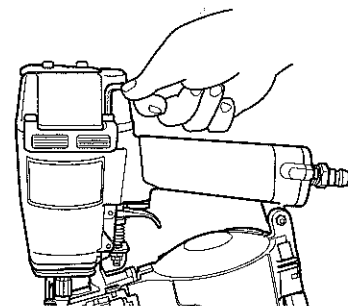
- Ne jamais utiliser le cloueur si le levier-poussoir ne fonctionne pas correctement.

Avant de commencer le travail proprement dit, faire un essai de clouage en vérifiant les points ci-dessous. Effectuer les essais dans l'ordre indiqué.

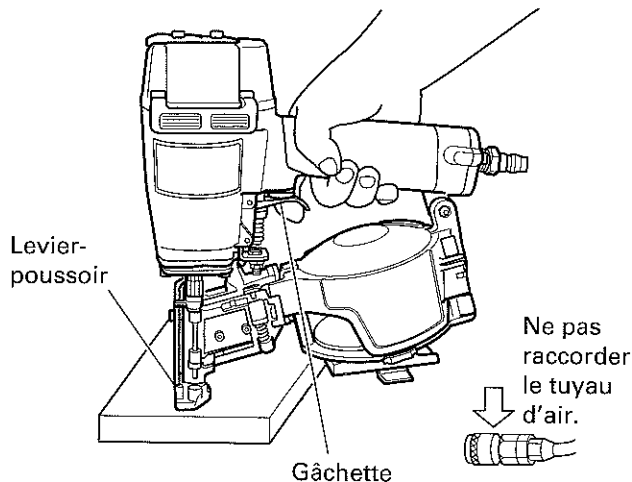
- (1) DEBRANCHER LE TUYAU D'AIR DU CLOUEUR. SORTIR TOUS LES CLOUS DU CLOUEUR.

- TOUTES LES VIS DOIVENT ETRE SERREES A FOND.

Si certaines vis sont relâchées, les revisser.



- LE LEVIER-POUSSOIR ET LA GACHETTE DOIVENT FONCTIONNER AVEC SOUPLESSE.



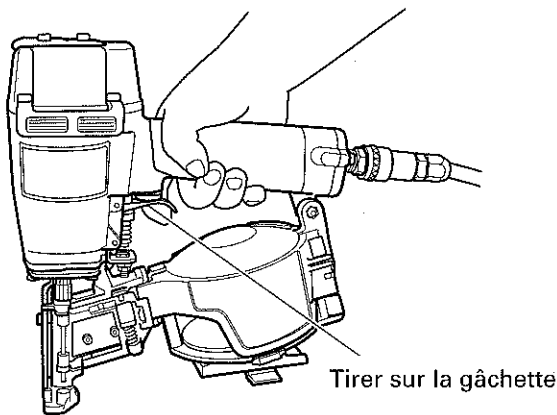
(2) Régler la pression d'air sur 70 psi (4,9 bars, 5 kgf/cm²).
Raccorder le tuyau d'air.

Ne pas mettre de clous dans le cloueur.

LE CLOUEUR NE DOIT PAS AVOIR DE FUITE D'AIR.

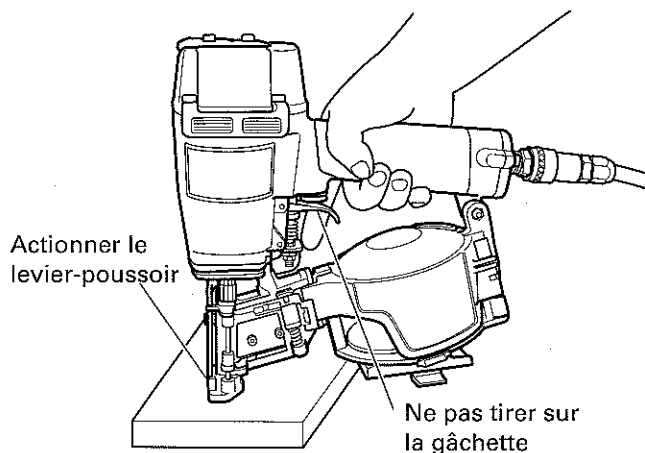
Diriger le cloueur vers le bas et tirer sur la gâchette.

LE CLOUEUR NE DOIT PAS FONCTIONNER.



(3) Le doigt étant retiré de la gâchette, actionner le levier-poussoir contre la pièce.

LE CLOUEUR NE DOIT PAS FONCTIONNER.



(4) Sans toucher la gâchette, actionner le levier-poussoir contre la pièce.
Tirer sur la gâchette.

LE CLOUEUR DOIT FONCTIONNER.

(5) Le cloueur ne touchant plus la pièce, tirer sur la gâchette. Actionner le levier-poussoir contre la pièce.

LE CLOUEUR DOIT FONCTIONNER.

(6) Si l'on ne remarque aucun fonctionnement anormal, on pourra mettre des clous dans le cloueur.
Enfoncer les clous dans un matériau du même type que celui du travail proprement dit.

LE CLOUEUR DOIT FONCTIONNER CORRECTEMENT.

REGLAGE DE LA PRESSION D'AIR

⚠ AVERTISSEMENT



● Ne pas dépasser 120 psi (8,3 bars, 8,5 kgf/cm²).

Régler la pression d'air à la pression de travail recommandée de 70 – 120 psi (4,9 – 8,3 bars, 5 – 8,5 kgf/cm²) en fonction de la longueur des clous et de la dureté du matériau.

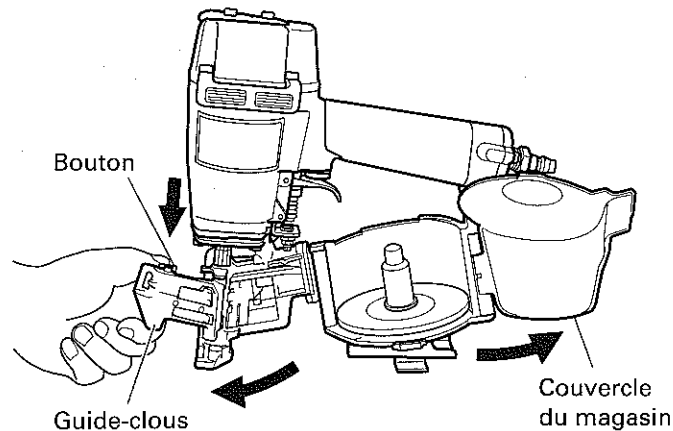
La pression d'air correcte est la pression la plus basse capable d'effectuer le travail. L'utilisation d'une pression d'air supérieure à la pression nécessaire fatiguera inutilement le cloueur.

CHARGEMENT DES CLOUS

⚠ AVERTISSEMENT

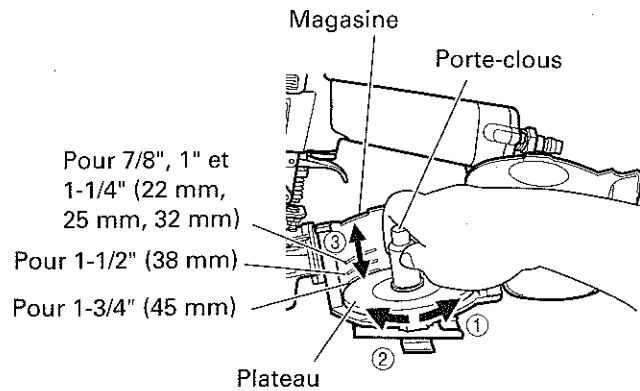
- Lors du chargement des clous dans le cloueur,
 - 1) ne pas tirer sur la gâchette ;
 - 2) ne pas actionner le levier-poussoir ; et
 - 3) diriger le cloueur vers le bas.

(1) Saisir le guide-clous et le bouton avec les doigts.
Appuyer sur le bouton et basculer le guide-clous pour l'ouvrir. Ensuite, ouvrir le couvercle du magasin.



(2) Ajuster la position du porte-clous en fonction de la longueur des clous.
Les clous ne seront pas chargés en douceur si le porte-clous n'est pas correctement ajusté.

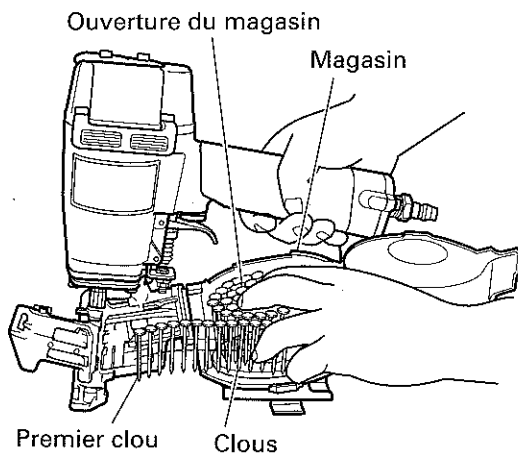
- ① Tourner le porte-clous d'environ 90 degrés dans le sens contraire des aiguilles d'une montre.
- ② Monter et descendre le porte-clous pour aligner sa plaque avec la marque du magasin en fonction de la longueur des clous utilisés.
- ③ Tourner le porte-clous de 90 degrés dans le sens des aiguilles d'une montre jusqu'à ce qu'un "clic" soit entendu.



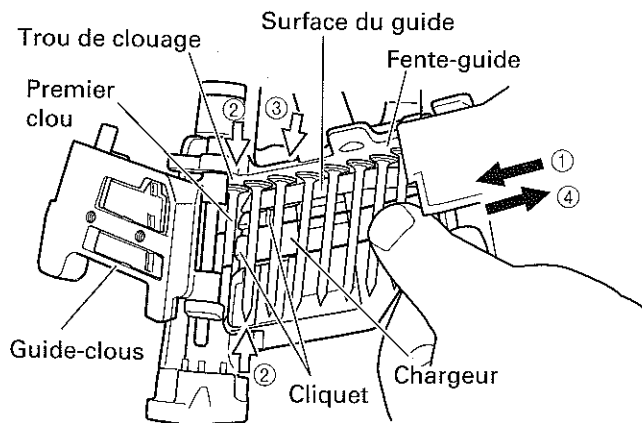
REMARQUE:

Avant de charger les clous dans le magasin, ajuster le porte-clous. Si le couvercle du magasin est fermé en force sans que le porte-clous n'ait été ajusté correctement, le porte-clous risque d'être endommagé.

- (3) Placer la bobine de clous dans le magasin. Insérer le premier clou dans l'ouverture du magasin.



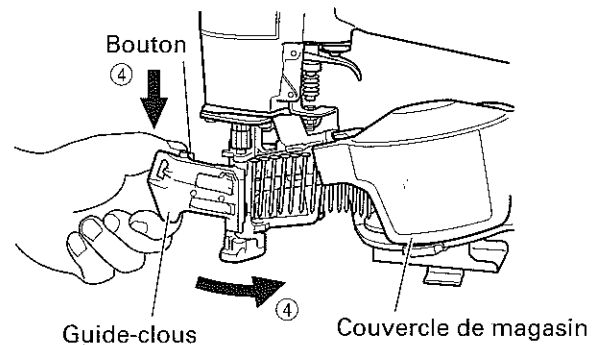
- (4) Refermer le couvercle du magasin.
- (5) ① Dérouler suffisamment de clous pour atteindre le trou de clouage.
- ② Insérer le premier clou dans le trou de clouage et le second clou entre les deux cliquets du chargeur.
- ③ Ajuster la tête du clou dans la fente-guide.



REMARQUE:

Faire attention de ne pas déformer les fils de fixation et de ne pas désengager les clous de la surface du guide. Sinon, le guide-clous ne fermera pas correctement.

- ④ En tirant les clous sur la droite. Après avoir vérifié que le couvercle du magasin est bien fermé, accrocher les doigts sur le guide-clous et le bouton, tourner le guide-clous dans le sens des aiguilles d'une montre tout en appuyant sur le bouton, puis refermer le couvercle du magasin à fond.



- (6) Verrouiller le bouton complètement.

Le cloueur est maintenant prêt à fonctionner.

UTILISATION DU CLOUEUR

Lire la section intitulée "SECURITE" (pages 20 – 23).

⚠ DANGER



- Toujours porter des lunettes de protection avec visières latérales respectant les spécifications ANSI Z87-1.

⚠ AVERTISSEMENT

- Ne jamais diriger le cloueur vers soi ni vers quelqu'un d'autre.
- Ne jamais transporter le cloueur avec le doigt sur la gâchette. Retirer le doigt de la gâchette lorsqu'on n'enfonce pas de clou.
- Ne jamais approcher les mains ni les pieds à moins de 8 pouces (200 mm) de la tête de clouage.
- Ne pas enfoncer de clous sur d'autres clous ni avec le cloueur à un angle trop aigu ; les clous pourraient ricocher et blesser quelqu'un.
- Pour éviter tout risque de déclenchement double ou toute éjection inadvertante d'un clou dus à un bondissement du cloueur.
 - 1) ne pas appuyer le cloueur trop fort contre la pièce ;
 - 2) éloigner complètement le cloueur de la pièce avec le rappel ;
 - 3) relâcher la gâchette rapidement lorsqu'on effectue un clouage par gâchette.

- Ne pas enfoncer de clous dans des planches minces ni près des coins et des bords de la pièce. Les clous pourraient traverser la pièce ou s'enfoncer ailleurs que dans la pièce et blesser quelqu'un.
- Ne jamais enfoncer de clous des deux côtés d'un mur en même temps. Les clous pourraient traverser le mur et blesser quelqu'un de l'autre côté.
- Ne jamais utiliser le cloueur s'il est défectueux ou qu'il ne fonctionne pas normalement.
- Ne pas se servir du cloueur comme d'un marteau.
- Débrancher le tuyau d'air du cloueur quand :
 - 1) on ne s'en sert pas ;
 - 2) on quitte l'aire de travail ;
 - 3) on le transporte dans un autre endroit ; et
 - 4) on le passe à quelqu'un d'autre.

Ce cloueur Hitachi possède un MÉCANISME DE DÉCLENCHEMENT PAR CONTACT STANDARD (activation par band). Il existe un lot de MÉCANISME DE DÉCLENCHEMENT SÉQUENTIEL EN OPTION (CLOUAGE SIMPLE) dont le numéro de pièce de commande est 878226.

On utilisera LE MÉCANISME DE DÉCLENCHEMENT PAR CONTACT STANDARD (activation par band) pour effectuer un clouage rapide, et en respectant la "méthode d'utilisation" ci-dessous.

REMARQUE :

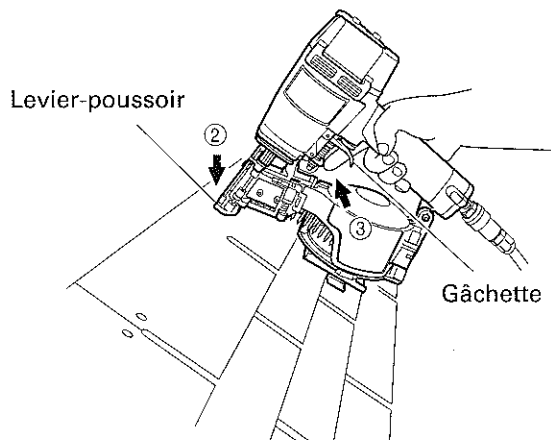
- Veiller à ce que le dernier clou ne puisse pas tomber ni ne soit planté de travers.

METHODES D'UTILISATION

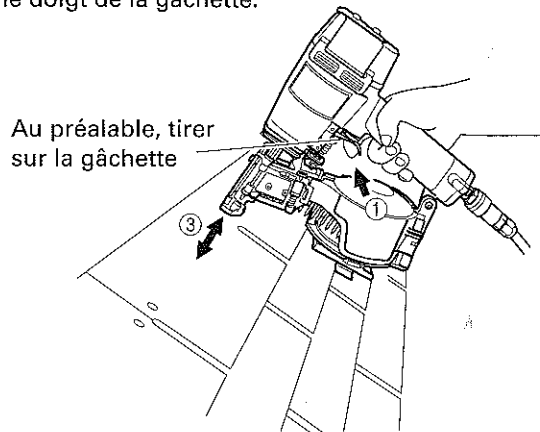
Le cloueur est équipé d'un levier-poussoir et il ne fonctionne pas tant que le levier-poussoir n'est pas enfoncé (position supérieure). Il y a deux façons d'enfoncer des clous avec le cloueur.

Ces deux méthodes sont :

1. Fonctionnement intermittent (déclenchement par gâchette) :
 2. Fonctionnement continu (déclenchement par levier-poussoir) :
- (1) Fonctionnement intermittent (déclenchement par gâchette)
- ① Placer l'orifice de sortie des clous sur la pièce en enlevant le doigt de la gâchette.
 - ② Actionner fermement le levier-poussoir jusqu'à ce qu'il soit complètement enfoncé.
 - ③ Tirer sur la gâchette pour enfoncer un clou.
 - ④ Retirer le doigt de la gâchette.
- Pour enfoncer un autre clou, déplacer le cloueur sur la pièce, et recommencer.



- (2) Fonctionnement continu (déclenchement par levier-poussoir) :
- ① Tirer sur la gâchette en retirant le cloueur de la pièce.
 - ② Actionner le levier-poussoir contre la pièce pour enfoncer un clou.
 - ③ Déplacer le cloueur le long de la pièce en lui faisant faire des bonds. Chaque pression du levier-poussoir enfonce un clou.
- Dès que le nombre de clous voulu est enfoncé, retirer le doigt de la gâchette.



⚠ AVERTISSEMENT

- Ne pas mettre le doigt sur la gâchette sauf pendant une opération de clouage, car un contact accidentel du levier-poussoir sur l'opérateur ou sur les personnes alentour pourrait entraîner des blessures graves.
- Ne pas approcher les mains ni le corps de la section de sortie des clous. Le cloueur avec mécanisme de déclenchement par contact risque de faire un bond après avoir enfoncé un clou, ce qui pourrait enfoncer un autre clou et provoquer des blessures.
- Certains types de clous peuvent s'éjecter de la buse pendant une opération de clouage quand ils sont chargés. Faire attention !

On utilisera LE MÉCANISME DE DÉCLENCHEMENT SÉQUENTIEL EN OPTION (CLOUAGE SIMPLE) pour effectuer un clouage précis et en respectant la "méthode de fonctionnement" ci-dessous.

Appuyer tout d'abord sur le levier-poussoir (position "haut") à l'endroit où l'on veut enfoncer le clou, puis tirer sur la gâchette. Après avoir enfoncé chaque clou, relâcher complètement la gâchette et relever l'outil de la surface de travail. Le MÉCANISME DE DÉCLENCHEMENT SÉQUENTIEL EN OPTION réduit les risques de blessures pour l'opérateur et les personnes qui se trouvent dans l'aire de travail. En effet, il risque moins d'enfoncer accidentellement un clou si l'on garde le doigt sur la gâchette et qu'on appuie accidentellement le levier-poussoir contre soi ou contre une autre personne. Le MÉCANISME DE DÉCLENCHEMENT SÉQUENTIEL EN OPTION réduit également la vitesse de clouage par rapport au mécanisme de déclenchement par contact standard.

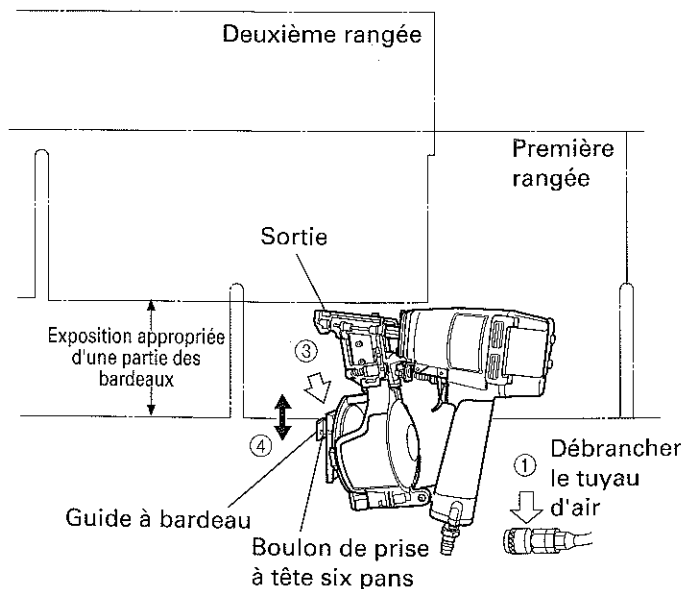
REMARQUE :

- LE MÉCANISME DE DÉCLENCHEMENT PAR CONTACT STANDARD et LE MÉCANISME DE DÉCLENCHEMENT SÉQUENTIEL EN OPTION sont tous deux parfaitement sûrs s'ils sont utilisés conformément aux avertissements et aux instructions.
- Toujours manier les clous et les recharges délicatement. En effet, si les clous tombent par terre, le fil d'assemblage risque d'être endommagé voire de se couper ce qui aurait pour effet d'empêcher un chargement régulier des clous ou de provoquer un bourrage.
- Après le clouage :
 - 1) débrancher le tuyau d'air du cloueur ;
 - 2) sortir tous les clous du cloueur ;
 - 3) mettre 5 ou 10 gouttes d'huile de machine pneumatique Hitachi dans le bouchon d'air du cloueur ; et
 - 4) ouvrir le robinet de purge du réservoir du compresseur d'air pour purger toute l'humidité.

UTILISATION DU GUIDE A BARDEAU

Le guide à bardeau peut être utilisé pour ajuster l'espacement des bardeaux. Ajuster le guide à bardeau de la façon suivante.

- ① DEBRANCHER LE TUYAU D'AIR DU CLOUEUR
- ② Desserrer le boulon de la prise à tête six pans avec la clé mâle six pans fournie comme accessoire.
- ③ Amener le guide à bardeau contre le bord inférieur de la première rangée de bardeaux.
- ④ Régler la distance entre la sortie et le guide à bardeau de manière à obtenir une exposition appropriée d'une partie des bardeaux en faisant coulisser le guide à bardeau.
- ⑤ Bloquer fermement le boulon de la prise à tête six pans.



REMARQUE :

- L'exposition appropriée d'une partie des bardeaux est fonction du type de bardeau et des spécifications du fabricant.
- Le guide à bardeau ne doit pas être utilisé comme un indicateur de position de clouage.

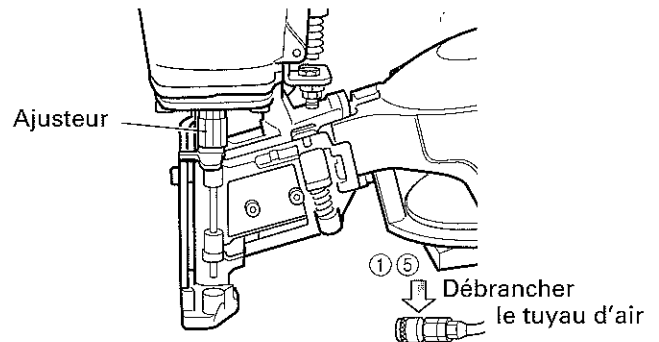
REGLAGE DE LA PROFONDEUR DE CLOUAGE

Pour que les clous s'enfoncent tous à la même profondeur, s'assurer que :

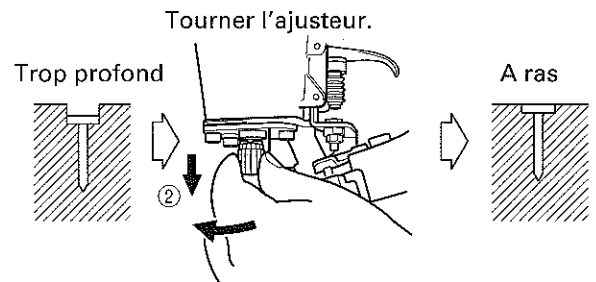
- 1) la pression d'air du cloueur reste constante (le régulateur est installé et il fonctionne normalement), et
- 2) le cloueur est toujours maintenu fermement contre la pièce;

Si les clous sont enfoncés trop loin ou pas assez dans la pièce, régler le clouage dans l'ordre suivant.

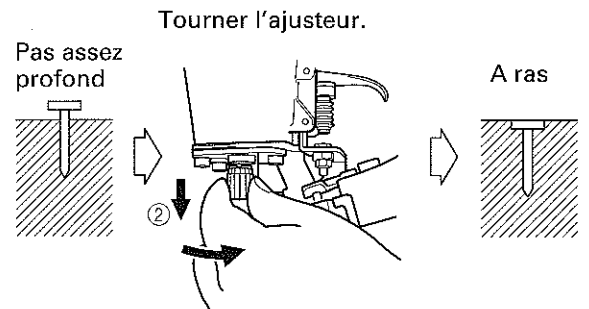
- ① DEBRANCHER LE TUYAU D'AIR DU CLOUEUR.



- ② Si les clous s'enfoncent trop profondément, tourner l'ajusteur dans le sens inverse des aiguilles d'une montre tout en le tirant vers le bas. Lorsque l'ajusteur est libéré, il remonte vers le haut. De plus, tourner l'ajusteur jusqu'à ce qu'il atteigne la position où il soit possible de le fixer avec un clic.



Si les clous ne s'enfoncent pas assez profondément, tourner l'ajusteur dans le sens des aiguilles d'une montre tout en le tirant vers le bas. Lorsque l'ajusteur est libéré, il remonte vers le haut. De plus, tourner l'ajusteur jusqu'à ce qu'il atteigne la position où il soit possible de le fixer avec un clic.



L'ajusteur se fixe à chaque quart de rotation. L'ajusteur se déplace d'environ 0,25 mm par quart de rotation.

- ③ Cesser de tourner l'ajusteur quand on a trouvé la position qui convient lors de l'essai de clouage.
- ④ Brancher le tuyau d'air.
TOUJOURS PORTER DES LUNETTES DE PROTECTION.
Effectuer un clouage d'essai.
- ⑤ DEBRANCHER LE TUYAU D'AIR DU CLOUEUR.
- ⑥ Sélectionner la position de l'ajusteur qui convient.

ENTRETIEN

REMARQUE:

Les informations contenues dans ce manuel ont pour but d'aider l'opérateur à utiliser le cloueur en toute sécurité.

Certaines des illustrations du manuel peuvent montrer des détails ou des accessoires qui diffèrent de ceux de votre cloueur.

ENTRETIEN ET INSPECTION

Lire la section intitulée "SECURITE" (pages 20 – 23).

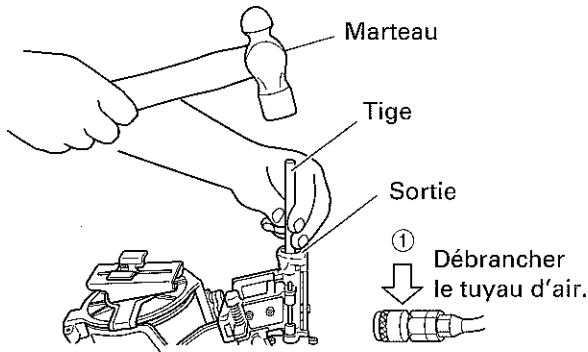
⚠ AVERTISSEMENT

- Débrancher le tuyau d'air et sortir tous les clous du cloueur quand :
 - 1) on entretient ou on inspecte le cloueur ; et
 - 2) on retire des clous coincés.
- Ne jamais se servir d'essences ou de liquides hautement inflammables pour effectuer l'entretien de l'outil.

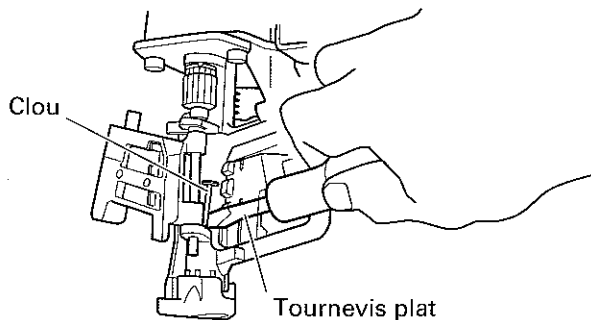
1. Elimination d'un blocage

Retirer un clou bloqué dans l'ordre suivant:

- ① DEBRANCHER LE TUYAU D'AIR.
- ② Ouvrir le guide-clous.
- ③ Insérer une tige dans la sortie.
Taper sur la tige avec un marteau.



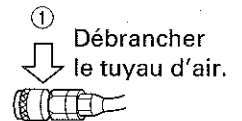
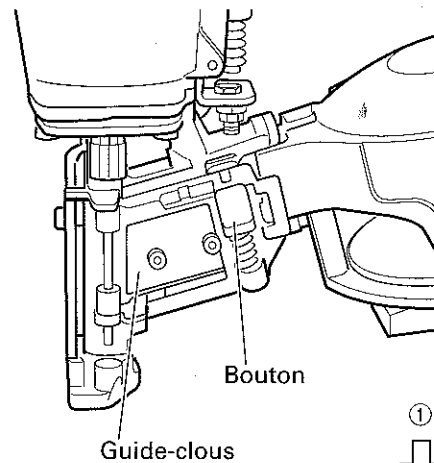
- ④ Retirer le clou bloqué avec un tournevis plat.



- ⑤ Couper le fil de fixation déformé avec des tenailles. Corriger la déformation.
- ⑥ En cas de blocages fréquents, contacter un centre de réparation autorisé Hitachi.

2. Inspection des chargeurs

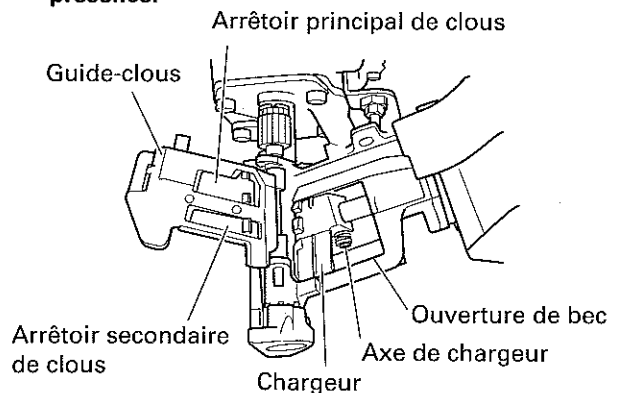
- ① DEBRANCHER LE TUYAU D'AIR.
- ② Nettoyer la partie coulissante du bouton.
La lubrifier avec le lubrifiant pour outil pneumatique Hitachi.



- ③ Ouvrir le guide-clous et retirer la poussière qui s'est accumulée.
Lubrifier l'ouverture du bec et l'axe du chargeur.

⚠ ATTENTION

- Vérifier que l'arrêt principal de clou et l'arrêt secondaire de clou coulissent sans offrir de résistance, ce qui peut être vérifié en les actionnant du doigt. S'il existe une résistance, les clous risquent d'être chargés suivant une orientation anormale et ceci présente un risque d'accident aux personnes en présence.



- ④ Lubrifier les surfaces de chargement du bec et le guide-clous après le nettoyage.
Cela favorise un fonctionnement doux et protège de la rouille.

3. Nettoyage et dégagement de goudron et de saletés.

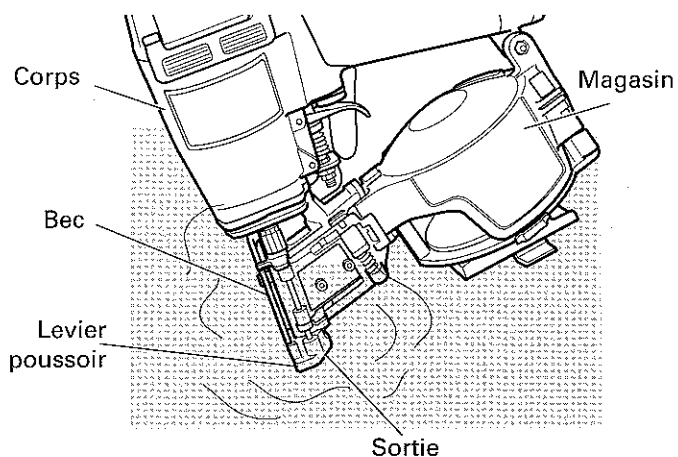
Du goudron et des saletés peuvent s'accumuler sur le bec et le levier poussoir.

Ceci risqué d'entraver le fonctionnement de l'outil.
Nettoyer et retirer le goudron et les saletés avec du pétrole lampant, du gazole no. 2 ou du combustible diesel.

NE JAMAIS SE SERVIR D'ESSENCE ni d'autres liquides hautement inflammables. En effet, les vapeurs de ses liquides s'accumulant à l'intérieur du cloueur peuvent s'enflammer avec la production des étincelles pendant les opérations de clouage et ceci peut se traduire par une explosion.

- ① Imprégner uniquement la partie environnante de la sortie de la tête de clouage de solvant. Ne jamais plonger le magasin ni le corps de l'outil dans le solvant.

Ceci risqué d'endommager les pièces en plastique et les joints toriques constitutifs.



- ② Assécher complètement le cloueur avant de s'en servir.
Tout film d'huile subsistant après le nettoyage favorisera l'accumulation de goudron de sorte qu'un entretien plus fréquent du cloueur sera nécessaire.
- ③ Vérifier que le fonctionnement du levier poussoir est normal.

⚠ AVERTISSEMENT

- Ne jamais utiliser le cloueur si le fonctionnement du levier poussoir est anormal.

REMARQUE:

- Les solvants pulvérisés sur le bec de la tête de clouage servant à nettoyer et à libérer la mobilité du levier poussoir peuvent provoquer un effet inverse en cas de mauvaise utilisation. En effet, le solvant risque de ramollir le goudron des bardeaux et de favoriser une

accumulation de goudron sur l'outil. Un fonctionnement à sec est préférable.

4. Inspection du magasin

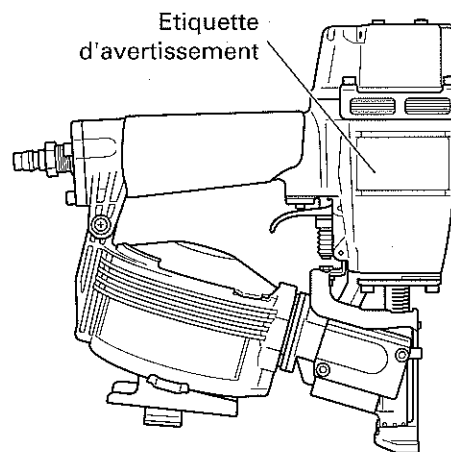
- ① DEBRANCHER LE TUYAU D'AIR.
- ② Nettoyer le magasin. Retirer la poussière ou les petits morceaux de bois qui se sont accumulés dans le magasin.

5. Remisage

- Si l'on ne se sert pas du cloueur pendant un certain temps, enduire ses pièces en acier d'une mince couche de graisse pour éviter toute corrosion.
- Ne pas remiser le cloueur dans un environnement froid. Le laisser dans un endroit chaud.
- Lorsqu'on ne se sert pas du cloueur, le remiser dans un endroit chaud et sec.
Le ranger hors de portée des enfants.

6. ETIQUETTE D'AVERTISSEMENT

Remplacer l'ETIQUETTE D'AVERTISSEMENT si elle manque ou qu'elle est endommagée.
Se procurer une nouvelle ETIQUETTE D'AVERTISSEMENT auprès d'un service après-vente Hitachi agréé.



7. Tableau d'entretien (voir page 35)

8. Guide de dépannage de l'opérateur (voir page 35)

ENTRETIEN ET REPARATIONS

⚠ AVERTISSEMENT

- Les réparations du cloueur seront confiées exclusivement au personnel d'entretien formé par Hitachi, au distributeur ou à l'employeur.
- Pour les réparations, utiliser exclusivement des pièces fournies ou recommandées par Hitachi.

Du fait de l'usure normale, les cloueurs de qualité finissent toujours par avoir besoin d'un entretien ou d'un remplacement de pièce.

REMARQUE:

Les spécifications sont sujettes à modification sans préavis et sans aucune obligation de la part de HITACHI.

Tableau d'entretien

ACTION	POURQUOI	COMMENT
Purger le filtre de la ligne d'air tous les jours.	Eviter l'accumulation d'humidité et de poussière.	Ouvrir le robinet de purge manuel.
Veiller à ce que le lubrificateur soit toujours plein.	Maintenir le cloueur bien graissé.	Remplir d'huile de machine pneumatique Hitachi.
Nettoyer l'élément du filtre — puis souffler de l'air dans le filtre dans le sens inverse du débit normal.	Eviter le colmatage du filtre par la saleté.	Suivre les instructions du fabricant.
Nettoyer le magasin et le mécanisme de l'alimenteur de clous.	Eviter que les clous ne se coincent.	Nettoyer en soufflant de l'air tous les jours.
Veiller à ce que le levier-poussoir fonctionne toujours correctement.	Assurer la sécurité de l'opérateur et un fonctionnement efficace du cloueur.	Nettoyer en soufflant de l'air tous les jours.
Graisser le cloueur après l'utilisation.	Rallonger la durée de service du cloueur.	Mettre 5 ou 10 gouttes de graisse dans le cloueur.
Purger le compresseur d'air.	Maintenir le cloueur en bon ordre de marche.	Ouvrir le robinet de purge du réservoir du compresseur d'air.

Guide de dépannage de l'opérateur

En suivant le tableau ci-dessous, la plupart des problèmes mineurs pourront être corrigés rapidement et en toute facilité.

Si le problème persiste, contacter un service après-vente Hitachi agréé.

PROBLEME	VERIFICATION	CORRECTION
Le cloueur fonctionne, mais les clous ne s'enfoncent pas.	Ouvrir le guide-clous. Vérifier si un clou est coincé.	Dégager le clou coincé page 33.
	Vérifier le fonctionnement de l'alimenteur à la page 33.	Nettoyer et graisser.
	Vérifier si l'on utilise les bons clous.	Utiliser uniquement les clous recommandés.
Entraînement faible. Cycle lent.	Vérifier la pression d'air.	Augmenter la pression d'air. (Ne pas dépasser 120 psi (8,3 bars, 8,5 kgf/cm ² .)
	Vérifier la position du régleur à la page 31.	Refaire un réglage.
	-----	Utiliser une huile de machine pneumatique Hitachi.
	La lame d'entraînement est-elle usée ? Le joint torique de piston est-il usé ou endommagé ?	Contacteur Hitachi pour le remplacement.
Les clous s'enfoncent trop profondément.	Vérifier la pression d'air.	Réduire la pression d'air (Régler sur 70 – 120 psi. (4,9 – 8,3 bars 5 – 8,5 kgf/cm ²))
	Vérifier la position du régleur à la page 31.	Refaire un réglage.
Certains clous sont sautés. Alimentation intermittente.	Vérifier si l'on utilise les bons clous.	Utiliser uniquement les clous recommandés.
	Vérifier le fonctionnement de l'alimenteur de clous à la page 33.	Nettoyer et graisser.
	---	Utiliser une huile de machine pneumatique Hitachi.
	Vérifier la position du porte-clous dans le magasin à la page 28.	Ajuster le porte-clous sur la position correcte.
	Le joint torique de piston est-il coupé ou très endommagé?	Contacteur Hitachi pour le remplacement.
Des clous se coincent. Les clous enfoncés sont tordus.	Vérifier si l'on utilise les bons clous.	Utiliser uniquement les clous recommandés.
	La lame d'entraînement est-elle usée ?	Contacteur Hitachi pour le remplacement.
Les clous s'enfoncent bien normalement, mais pas complètement à des vitesses supérieures.	Vérifier le diamètre intérieur du tuyau d'air.	Utiliser un tuyau d'air plus large.

INFORMACIÓN IMPORTANTE

ANTES DE UTILIZAR ESTE MARTILLO NEUMÁTICO, O DE REALIZAR TRABAJOS DE MANTENIMIENTO EN EL MISMO, LEA Y COMPRENDA TODAS LAS INSTRUCCIONES DE OPERACIÓN, PRECAUCIONES DE SEGURIDAD, Y ADVERTENCIAS DE ESTE MANUAL.

La mayoría de los accidentes se ocurridos al utilizar o mantener este martillo neumático se deben a la falta de tener en cuenta las normas de seguridad y precauciones básicas. Los accidentes podrán evitarse en muchos casos dándose cuenta de una situación peligrosa antes de que se produzca, y observando fielmente los procedimientos de seguridad apropiados.

Las precauciones básicas de seguridad se describen en la sección "SEGURIDAD" de este manual, y en las secciones que contienen las instrucciones sobre operación y mantenimiento.

Los riesgos que habrá que eludir para evitar lesiones o el daño de la máquina se identifican mediante "PELIGRO" y "ADVERTENCIA" en el martillo neumático y en este manual.

No utilice nunca este martillo neumático para aplicaciones que no sean las especificadas en este manual.

DEFINICIÓN DE LAS PALABRAS CLAVE

PELIGRO indica una situación inminentemente peligrosa que, si no se evita, puede resultar en lesiones serias o en la muerte.

ADVERTENCIA indica una situación potencialmente peligrosa que, si no se evita, puede resultar en lesiones serias o en la muerte.

PRECAUCIÓN indica una situación potencialmente peligrosa que, si no se evita, puede resultar en lesiones menores, o en el daño de la máquina.

NOTA enfatiza información esencial.

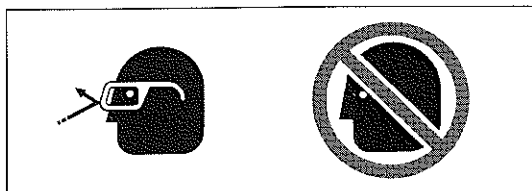
SEGURIDAD

INSTRUCCIONES IMPORTANTES DE SEGURIDAD PARA LA UTILIZACIÓN DEL MARTILLO NEUMÁTICO

LEA TODAS LAS INSTRUCCIONES

⚠ PELIGRO

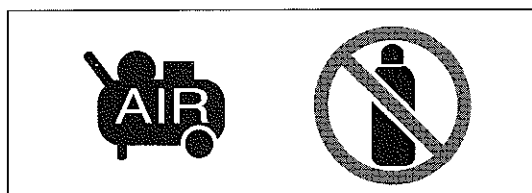
1. UTILICE SIEMPRE GAFAS PROTECTORAS PARA LOS OJOS.



Antes de utilizar el martillo neumático, utilice siempre gafas protectoras con blindajes laterales, y asegúrese de que también sea utilizada por todas las personas que se encuentren en el área de trabajo. Las gafas protectoras deberán estar de acuerdo con los requisitos del Instituto de Normas Nacionales Americanas, ANSI Z87.1 y proporcionar protección contra las partículas despedidas desde la parte frontal y posterior.

El empresario deberá hacer que el operador del martillo neumático y demás personas que se encuentren en el área de trabajo utilicen en todo momento gafas protectoras.

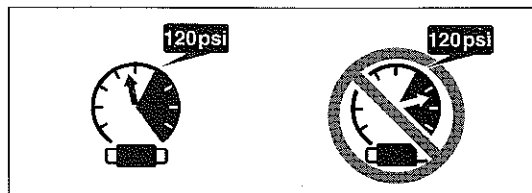
2. NO UTILICE NUNCA BOMBONAS DE GAS.



No utilice nunca bombonas de oxígeno, gases combustibles, etc. como fuente de propulsión de este martillo neumático. La utilización de estos gases, o de otros gases embotellados, es peligrosa, ya que el martillo neumático podría explotar. Utilice solamente aire comprimido limpio, seco, y regulado.

⚠ ADVERTENCIA

3. NO SOBREPASE 120 psi.



No sobrepase nunca la presión de aire máxima recomendada de 120 psi (8,3 barías, 8,5 kgf/cm²).

No conecte nunca el martillo neumático a una presión que pueda sobrepasar potencialmente 200 psi (13,7 barías, 14 kgf/cm²) ya que el martillo neumático podría explotar.

4. NO APUNTE NUNCA CON EL MARTILLO NEUMÁTICO HACIA SÍ MISMO NI HACIA OTRAS PERSONAS.

Piense siempre que el martillo neumático puede tener clavos cargados.

No apunte nunca con él hacia sí mismo ni hacia otras personas, tenga clavos cargados o no.

Si utilizase los clavos incorrectamente, podrían producirse lesiones serias.

No juegue nunca con el martillo neumático.

Trate el martillo neumático como herramienta de trabajo.

5. NO TRANSPORTE EL MARTILLO NEUMÁTICO CON EL DEDO EN EL GATILLO.

Cuando no vaya a clavar clavos, quite el dedo del gatillo. No transporte nunca el martillo neumático con el dedo en el gatillo, porque podría lanzar un clavo y lesionarse usted mismo o a otra persona. Transporte siempre el martillo neumático por la empuñadura solamente.

6. UTILICE SIEMPRE PROTECTORES PARA LOS OÍDOS Y LA CABEZA.

Utilice siempre protectores para los oídos contra el ruido fuerte.

Utilice siempre un protector para la cabeza con objetos que puedan salir disparados.

SEGURIDAD – Continuación

⚠ ADVERTENCIA

- 7. GUARDE ADECUADAMENTE EL MARTILLO NEUMÁTICO.**
 Cuando no vaya a utilizar el martillo neumático, guárdelo en un lugar seco. Manténgalo alejado de los niños. Cierre con llave el lugar de almacenamiento.
- 8. MANTENGA EL ÁREA DE TRABAJO LIMPIA.**
 Las áreas desordenadas pueden provocar lesiones. Limpie bien el área de trabajo, apartando herramientas innecesarias, residuos, muebles, etc.
- 9. NO UTILICE EL MARTILLO NEUMÁTICO CERCA DE LÍQUIDOS INFLAMABLES NI DE GASES.**
 El martillo neumático produce chispas durante la operación.
 No utilice nunca el martillo neumático en lugares en los que haya laca, pintura, bencina, diluidor de pintura, gasolina, gases, productos adhesivos, ni demás materiales combustibles o explosivos.
- 10. MANTENGA A LOS VISITANTES ALEJADOS.**
 No permita que los visitantes toquen el martillo neumático.
 Todos los visitantes deberán permanecer alejados del área de trabajo.
- 11. VÍSTASE ADECUADAMENTE.**
 No utilice ropa floja ni joyas, ya que podrían pillarse en las partes móviles.
 Para trabajar en exteriores se recomienda utilizar guantes de goma y calzado no deslizante. Si tiene el pelo largo, utilice un protector para recogerlo.
- 12. NO UTILICE NUNCA UN ACOPLADOR SIN DESCARGA CON EL MARTILLO NEUMÁTICO.**
 Si utilizase un acoplador sin descarga con el martillo neumático, éste podría permanecer cargado con aire después de haberlo desconectado y, por lo tanto, disparar un clavo incluso después de haberlo desconectado.
- 13. COMPRUEBE LA PALANCA DE EMPUJE ANTES DE LA UTILIZACIÓN.**
 Cerciórese de que la palanca de empuje funcione adecuadamente. (La palanca de empuje puede denominarse "Seguridad".) No utilice nunca el martillo neumático a menos que la palanca de empuje funcione adecuadamente, ya que de lo contrario el martillo neumático podría disparar inesperadamente un clavo. No cambie ni quite la palanca de empuje.
- 14. MANTENGA TODOS LOS TORNILLOS Y CUBIERTAS BIEN APRETADOS EN SU LUGAR.**
 Mantenga todos los tornillos y cubiertas firmemente apretados. Compruebe periódicamente su condición. No utilice nunca el martillo neumático si hay piezas perdidas o dañadas.
- 15. NO CARGUE CLAVOS CON EL GATILLO O LA PALANCA DE EMPUJE PRESIONADA.**
 Cuando cargue clavos en el martillo neumático, o cuando conecte la manguera de aire:

 - 1) no apriete el gatillo,
 - 2) no presione la palanca de empuje, ni
 - 3) mantenga el martillo neumático apuntado hacia abajo.
- 16. MANTENGA LAS MANOS Y LOS PIES ALEJADOS DE LA CABEZA DE SALIDA DE LOS CLAVOS DURANTE LA UTILIZACIÓN.**
 No coloque sus manos ni pies a menos de 8" (200 mm) de la cabeza de salida de los clavos.
 Si la pieza de trabajo desvía los clavos o si éstas salen del punto de introducción puede sufrir lesiones serias.
- 17. COLOQUE EL MARTILLO NEUMÁTICO ADECUADAMENTE SOBRE LA PIEZA DE TRABAJO.**
 No clave un clavo sobre otro, ni con el martillo neumático con un ángulo demasiado agudo, ya que los clavos podrían rebotar y herir a alguien.
- 18. TENGA CUIDADO CON EL DOBLE DISPARO DEBIDO AL CULATEO.**
 Si la palanca de empuje vuelve a entrar en contacto accidentalmente con la pieza de trabajo, producirá un culateo, y saldrá disparado un clavo inesperado.
 Para evitar este doble disparo:

 - 1) no empuje el martillo neumático contra la pieza de trabajo con excesiva fuerza,
 - 2) aleje completamente el martillo neumático de la pieza que produzca culateo, y mantenga la palanca de empuje separada de la pieza de trabajo hasta que desee volver a clavar, y
 - 3) apriete y suelte RÁPIDAMENTE el gatillo cuando realice una operación intermitente (disparo del gatillo).
- 19. NO CLAVE EN PANELES FINOS, NI CERCA DE LAS ESQUINAS NI LOS BORDES DE LA PIEZA DE TRABAJO.**
 Los clavos podrían atravesar la pieza de trabajo y herir a alguien.
- 20. NO CLAVE NUNCA CLAVOS DESDE AMBOS LADOS DE UNA PARED AL MISMO TIEMPO.**
 Los clavos podrían traspasar el panel y lesionar a la persona que se encuentra en el lado opuesto.
- 21. COMPRUEBE SI HAY CABLES ACTIVOS.**
 Evite el riesgo de descargas eléctricas comprobando si hay cables activos escondidos en paredes, suelos, o techos. Abra el disyuntor para asegurarse de que no queden cables activos.
- 22. NO TRANSPORTE NUNCA EL MARTILLO NEUMÁTICO POR EL MORRO.**
- 23. NO SE EXTRALIMITE.**
 Mantenga en todo momento un buen equilibrio.

SEGURIDAD — Continuación

⚠ ADVERTENCIA

24. NO UTILICE NUNCA UN MARTILLO NEUMÁTICO DEFECTUOSO O QUE FUNCIONE INCORRECTAMENTE.

Si el martillo neumático parece funcionar anormalmente, si produce ruidos extraños, etc., deje de utilizarlo inmediatamente y solicite su reparación a un centro de servicio autorizado por Hitachi.

25. NO DESCONECTE LA MANGUERA DE AIRE DEL MARTILLO NEUMÁTICO CON UN DEDO PUESTO EN EL GATILLO.

El martillo neumático podría disparar un clavo cuando reconectase el suministro de aire.

26. DESCONECTE LA MANGUERA DE AIRE DEL MARTILLO NEUMÁTICO CUANDO:

- 1) realice trabajos de mantenimiento e inspección,
- 2) tenga que desatascarlo,
- 3) no vaya a utilizarlo,
- 4) abandone el área de trabajo,
- 5) lo traslade a otro lugar, y
- 6) vaya a entregárselo a otra persona.

No intente nunca desatascar ni reparar el martillo neumático sin haber desconectado primero la manguera de aire del mismo, y sin haberle quitado todas las clavos.

No deje nunca el martillo neumático desatendido, porque personas no familiarizadas con él podrían utilizarlo y sufrir lesiones.

27. PERMANEZCA ALERTA.

Tenga en cuenta lo que esté haciendo. Utilice el sentido común. No utilice el martillo neumático cuando esté cansado. No utilice nunca el martillo neumático si se encuentra bajo la influencia del alcohol, drogas, o medicinas que le produzcan somnolencia.

28. MANEJE CORRECTAMENTE EL MARTILLO NEUMÁTICO.

Maneje el martillo neumático de acuerdo con las instrucciones de este manual.

No permita nunca que los niños, personas no familiarizadas o no autorizadas, toquen el martillo neumático.

29. NO UTILICE NUNCA EL MARTILLO NEUMÁTICO PARA APLICACIONES QUE NO SEAN LAS ESPECIFICADAS EN ESTE MANUAL.

30. MANEJE EL MARTILLO NEUMÁTICO CON CUIDADO.

Debido a la alta presión de aire del martillo neumático, las rajaduras en su superficie pueden resultar peligrosas.

Para evitar esto, no deje caer el martillo neumático ni lo golpee contra superficies duras, y no grave nada en el mismo. Maneje cuidadosamente el martillo neumático.

31. MANTENGA EL MARTILLO NEUMÁTICO CON CUIDADO.

Mantenga el martillo neumático limpio y lubricado para que rinda al máximo y con la mayor seguridad.

32. UTILICE SOLAMENTE LAS PIEZAS, ACCESORIOS, Y CLAVOS QUE SUMINISTRE O RECOMIENDE HITACHI.

Las piezas, accesorios, o clavos no autorizados pueden anular la garantía y provocar el mal funcionamiento, lo que podría resultar en lesiones. El martillo neumático solamente deberá ser reparado por Hitachi, un distribuidor, o el empresario.

33. NO MODIFIQUE NI ALTERE NUNCA EL MARTILLO NEUMÁTICO.

Si lo hiciera podría funcionar mal y provocar lesiones.

SEGURIDAD — Continuación

INSTRUCCIONES IMPORTANTES DE SEGURIDAD PARA UTILIZAR EL MARTILLO NEUMÁTICO DE RISTRA NV45AB2

⚠ ADVERTENCIA

- 1. CIERRE LA GUÍA DE LAS PUNTAS Y NO LA ABRA DURANTE LA OPERACIÓN.**
Si clavase puntas con la guía de la misma abierta, éstas podrían desviarse en la pieza de trabajo.
- 2. MIENTRAS SE ESTÁN CARGANDO LAS PUNTAS, MANTENGA EL CUERPO PRINCIPAL DIRIGIDO HACIA ARRIBA O MANTENGA EL LADO DE LA GUÍA DE PUNTAS DIRIGIDO HACIA ABAJO, Y NO ABRA EL CARGADOR.**
Las puntas podrían caerse y provocar lesiones.
- 3. NO EMPLEE NUNCA GASOLINA NI OTROS LÍQUIDOS MUY INFLAMABLES PARA LA LIMPIEZA.**
El vapor de estos líquidos que quede en el interior del martillo podría encenderse por las chispas que se producen al clavar puntas, lo cual podría producir una explosión.

RESPONSABILIDADES DEL EMPRESARIO

1. Asegúrese de que este MANUAL esté al alcance de los operadores y del personal de mantenimiento.
2. Asegúrese de que martillo neumático se utilice solamente cuando el operador y demás personas que se encuentren en el área de trabajo estén utilizando GAFAS PROTECTORAS PARA LOS OJOS.
3. Recalque que el operador y las demás personas que se encuentren en el área de trabajo necesitan utilizar GAFAS PROTECTORAS PARA LOS OJOS.
4. Mantenga el martillo neumático en un orden de funcionamiento seguro.
5. Mantenga adecuadamente el martillo neumático.
6. Si un martillo neumático necesita reparación, no lo utilice hasta que haya sido reparado.

**¡GUARDE ESTE MANUAL
AL ALCANCE DE CUALQUIERA!**

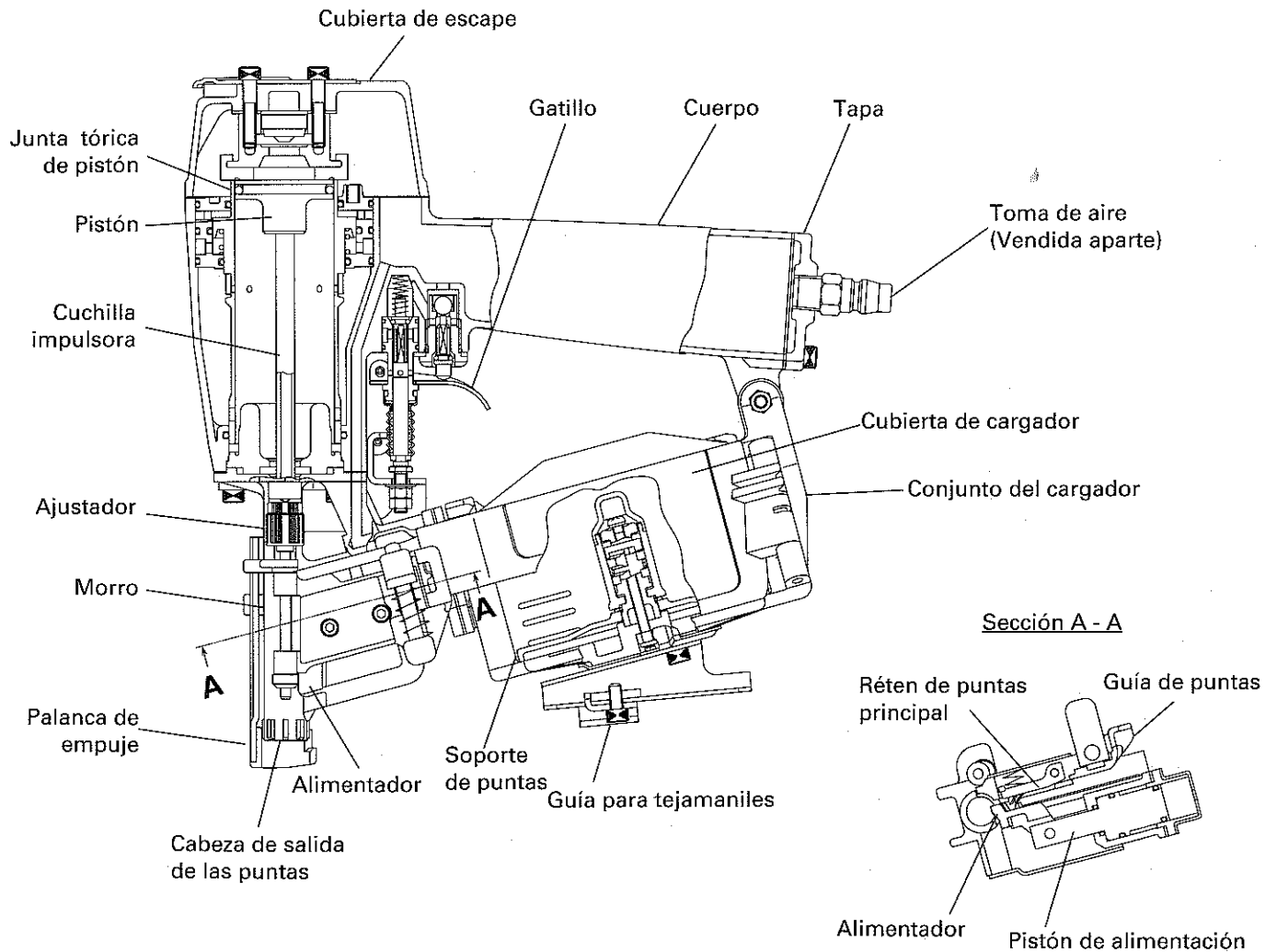
OPERACIÓN

NOTA:

La información contenida en este manual ha sido diseñada para ayudarle a utilizar con seguridad este martillo neumático.

Algunas de las ilustraciones de este manual pueden mostrar detalles o accesorios diferentes a los de su propio martillo neumático.

NOMENCLATURA



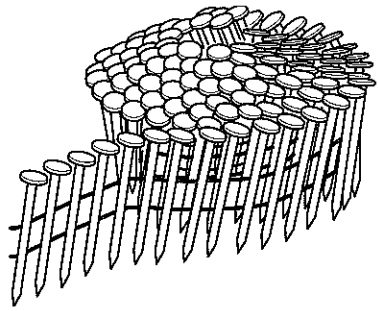
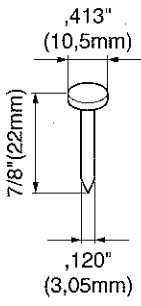
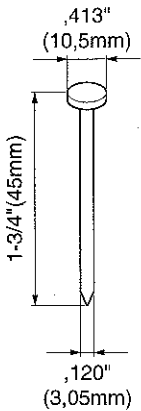
ESPECIFICACIONES

Presión de operación	70 – 120 psi (4,9 – 8,3 barías, 5 – 8,5 kgf/cm ²)
Dimensiones Longitud × altura × anchura	9-27/32" × 10-3/8" × 4-5/8" (250 mm × 264 mm × 117 mm)
Peso	5,5 libras (2,5 kg)
Capacidad de puntas	120 puntas (1 ristra)
Consumo de aire	,035 pies ³ /ciclo a 100 psi (,99 litros/ciclo a 6,9 barías) (,99 litros/ciclo a 7 kgf/cm ²)
Entrada de aire	Rosca 3/8 NPT

SELECCIÓN DE PUNTAS

Con este martillo neumático solamente podrán utilizarse las puntas indicadas en la tabla siguiente.

NOTA: Para asegurar la calidad y la facilidad de clavado, utilice solamente puntas genuinas de hitachi.

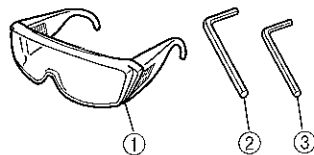
Puntas en ristra unidas con alambre	Mín.	Máx.
		

ACCESORIOS

⚠ ADVERTENCIA

- Los accesorios que no sean los mostrados a continuación pueden provocar el mal funcionamiento del martillo neumático y resultar en lesiones.

ACCESORIOS ESTÁNDAR



① Gafas protectoras para los ojos	1
② Llave Allen para tornillos M5	1
③ Llave Allen para tornillos M4	1

ACCESORIOS OPCIONALES

... vendido aparte

- Mecanismo de disparo por contacto (Núm. de código 878226) (Disparo con rebote)
- Lubricante para herramientas neumáticas
 - Aceitador de 1 onzas (30 cc) (Núm. de código 877153)
 - Aceitador de 4 onzas (120 cc) (Núm. de código 874042)
 - Lata de 1 cuarto de galón (1 litro) (Núm. de código 876212)

NOTA: Los accesorios están sujetos a cambio sin ninguna obligación por parte de HITACHI.

APLICACIONES

- Instalación de tejamaniles para tejados de asfalto en construcción de edificios.
- Instalación de placas aislantes en construcción de edificios.

ANTES DE LA OPERACIÓN

Lea la sección titulada "SEGURIDAD" (páginas 37 - 40).

Antes de la utilización, cerciórese de lo siguiente.

ENTORNO DE TRABAJO

⚠ ADVERTENCIA

- En el lugar de trabajo no deberá haber gases, líquidos, ni demás objetos inflamables.
- No permita que en el área de trabajo haya niños ni demás personas no autorizadas.

SUMINISTRO DE AIRE

⚠ PELIGRO



- No utilice nunca oxígeno, gases combustibles, ni ningún otro gas embotellado.

⚠ ADVERTENCIA

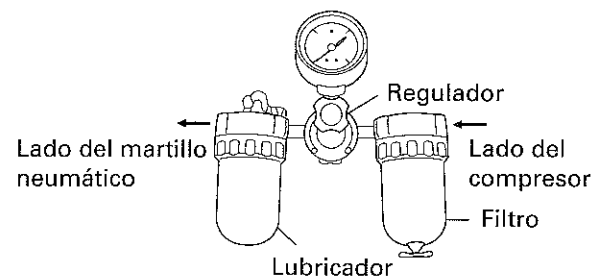
- No conecte nunca el martillo neumático a una presión que pueda sobrepasar potencialmente 200 psi (13,7 barías, 14 kgf/cm²).
- No utilice nunca un acoplador sin descarga con el martillo neumático.

1. Fuente de propulsión

- Utilice solamente aire comprimido limpio, seco, y regulado como fuente de propulsión para este martillo neumático.
- Los compresores de aire para suministrar aire comprimido a este martillo neumático deberán cumplir los requisitos de la última versión de la norma B 19.3 ANSI "Normas de Seguridad para Compresores para Industrias de Procesos".
- La humedad o el aceite en el compresor de aire puede acelerar el desgaste y la corrosión del martillo neumático. Drénelo diariamente.

2. Filtro-Regulador-Lubricador

- Utilice un regulador con una presión de 0 - 120 psi (0 - 8,3 barías, 0 - 8,5 kgf/cm²)
- Las unidades de filtro-regulador-lubricador ofrecen la condición óptima para el martillo neumático y prolongan su duración útil. Estas unidades deberán utilizarse siempre.
 - Filtro El filtro elimina la humedad y la suciedad del aire comprimido. Drene diariamente el martillo neumático a menos que tenga instalado un dispositivo de drenado automático. Mantenga limpio el filtro realizando regularmente su mantenimiento.
 - Regulador El regulador controla la presión de operación para poder utilizar con seguridad el martillo neumático. Inspeccione el regulador antes de la operación a fin de asegurarse de que funcione adecuadamente.
 - Lubricador El lubricador rocía aceite al martillo neumático. Inspeccione el lubricador antes de utilizarlo para comprobar si el suministro de lubricante es adecuado. Utilice lubricante para herramientas neumáticas Hitachi.

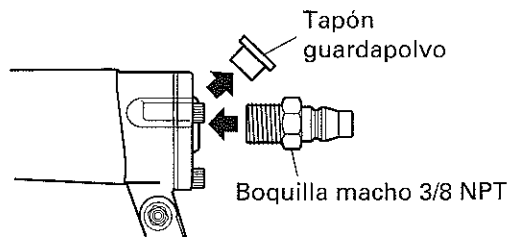


3. Manguera de aire

La manguera de aire deberá poder resistir una presión mínima de 150 psi (10,4 barías, 10,6 kgf/cm²) o el 150% de la presión máxima producida en el sistema, el valor más alto sea.

4. Acoplador de manguera

- El martillo neumático podrá instalarse de la forma siguiente. Quite el tapón guardapolvo colocado en la entrada de aire. Instale una boquilla macho 3/8 NPT en la entrada de aire.



- La manguera de aire deberá tener instalado un acoplador hembra. El acoplamiento de la manguera (boquilla macho - acoplador hembra) deberá eliminar toda la presión del martillo neumático cuando lo desconecte. No utilice nunca un acoplador sin descarga con el martillo neumático.

5. Consumo de aire

Utilizando la tabla de consumo de aire y la fórmula de tamaño del compresor de aire, busque el tamaño de compresor correcto.

Tabla de consumo de aire

Presión de operación	psi	80	90	100
	(barias) (kgf/cm ²)	(5,5) (5,6)	(6,2) (6,3)	(6,9) (7)
Consumo de aire	pies ³ /ciclo	,025	,030	,035
	(litros/ciclo)	(,71)	(,85)	(,99)

Fórmula de tamaño del compresor

Cantidad de aire requerida
= número de martillos neumáticos
× promedio de puntas clavadas cada minuto por martillo neumático
× consumo de aire a la presión dada
× factor de seguridad (siempre 1,2)

Ejemplo: 2 martillos neumáticos funcionando a 100 psi para clavar 30 puntas por minuto

Cantidad de aire requerida
= $2 \times 30 \times ,035$ (,99) $\times 1,2$
= 2,5 CFM (pies³/min) (71 litros/min)

Después de haber realizado los cálculos indicados arriba, tendrá que buscar un compresor que proporcione 2,5 CFM de aire, que es el valor requerido.

LUBRICACIÓN

Es muy importante que el martillo neumático esté adecuadamente lubricado. Sin la lubricación apropiada, el martillo neumático no trabajará correctamente y las piezas se desgastarán prematuramente.

- Utilice lubricante para herramientas neumáticas Hitachi. No utilice aceite detergente ni aditivos. Estos lubricantes dañarían las juntas tóricas y demás piezas de caucho. Esto haría que el martillo neumático funcionase mal.
- Habrá que utilizar siempre unidades de filtro-regulador-lubricador. Mantenga el lubricador lleno con lubricante para herramientas neumáticas Hitachi.
- Si no dispone de lubricador, aplique 5 - 10 gotas de lubricante para herramientas neumáticas Hitachi a la entrada de aire del martillo neumático dos veces al día.

CUIDADOS PARA CLIMAS FRÍOS

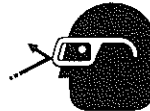
- No guarde el martillo neumático en un lugares fríos. Déjelo en un lugar cálido antes de comenzar a trabajar.
- Si el martillo neumático está frío, póngalo en un lugar cálido y deje que se caliente antes de utilizarlo.
 - ① Reduzca la presión de aire a 64 psi (4,4 barias, 4,5 kgf/cm²).
 - ② Quite todas las puntas del martillo neumático.
 - ③ Conecte la manguera de aire y dispare (disparo en vacío) el martillo neumático. La reducción de la presión de aire será suficiente para disparar en vacío el martillo neumático. La operación a baja velocidad tiende a calentar las partes móviles.

⚠ PRECAUCIÓN

- No dispare en vacío el martillo neumático a alta presión.

PRUEBA DEL MARTILLO NEUMÁTICO

⚠ PELIGRO



- Utilice siempre gafas protectoras para los ojos.

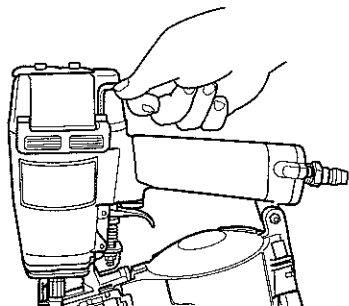
⚠ ADVERTENCIA

- No utilice nunca el martillo neumático a menos que la palanca de empuje funcione adecuadamente.

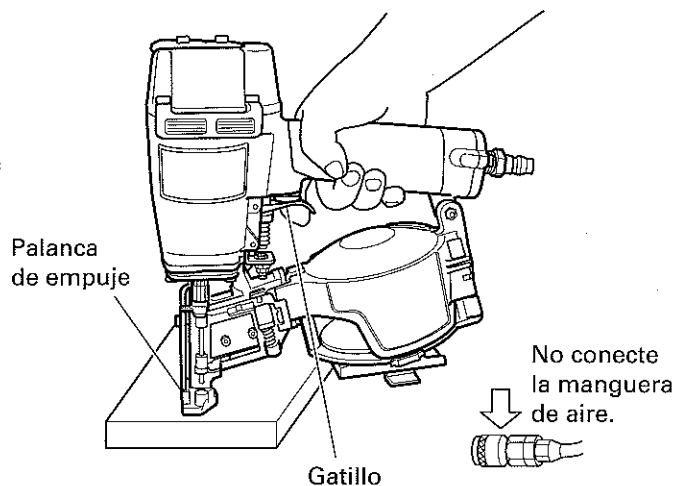
Antes de comenzar el trabajo, pruebe el martillo neumático utilizando la lista de comprobaciones siguiente. Realice las comprobaciones en el orden indicado. Si se produce alguna operación anormal, deje de utilizar el martillo neumático y póngase inmediatamente en contacto con un centro de reparaciones autorizado por Hitachi.

- (1) DESCONECTE LA MANGUERA DE AIRE DEL MARTILLO NEUMÁTICO. QUITÉ TODAS LAS PUNTAS DEL MARTILLO NEUMÁTICO.

- TODOS LOS TORNILLOS DEBERÁN ESTAR APRETADOS. Si hay algún tornillo flojo, apriételo.



- LA PALANCA DE EMPUJE DEBERÁN PODER ACCIONARSE SIN DIFICULTAD.

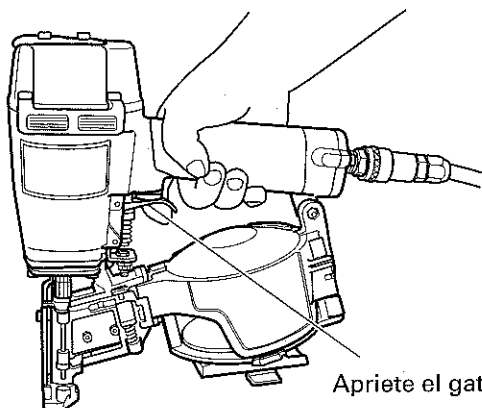


- (2) Ajuste la presión del aire a 70 psi (4,9 barías, 5 kgf/cm²). Conecte la manguera de aire. No cargue puntas en el martillo neumático.

- EL MARTILLO NEUMÁTICO NO DEBERÁ TENER FUGAS DE AIRE.

Sujete el martillo neumático hacia abajo y apriete el gatillo.

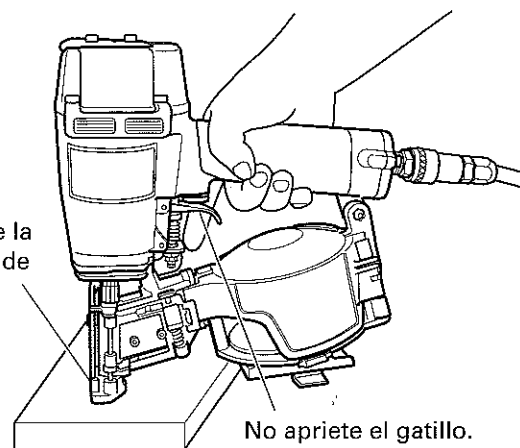
- EL MARTILLO NEUMÁTICO NO DEBERÁ FUNCIONAR.



- (3) Con el dedo en el gatillo, presione la palanca de empuje contra la pieza de trabajo.

- EL MARTILLO NEUMÁTICO NO DEBERÁ FUNCIONAR.

Presione la palanca de empuje.



- (4) Sin tocar el gatillo, presione la palanca de empuje contra la pieza de trabajo. Apriete el gatillo.

- EL MARTILLO NEUMÁTICO DEBERÁ FUNCIONAR.

- (5) Con el martillo neumático fuera de la pieza de trabajo, usted podrá cargar puntas en el mismo. Inserte las puntas en la pieza de trabajo adecuadas a la aplicación.

- EL MARTILLO NEUMÁTICO DEBERÁ FUNCIONAR.

- (6) Si no observa nada anormal, cargue puntas en el martillo neumático. Clave en la pieza de trabajo las mismas puntas que vaya a utilizar en la aplicación real.

- EL MARTILLO NEUMÁTICO DEBERÁ FUNCIONAR ADECUADAMENTE.

AJUSTE DE LA PRESIÓN DE AIRE

⚠ ADVERTENCIA



- No sobrepase 120 psi (8,3 barías, 8,5 kgf/cm²).

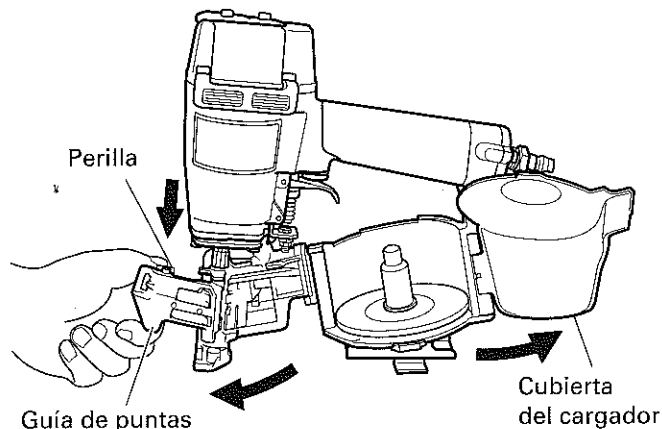
Ajuste la presión del aire al valor recomendado, 70 – 120 psi (4,9 – 8,3 barías, 5 – 8,5 kgf/cm²) de acuerdo con la longitud de las puntas y la dureza de la pieza de trabajo. La presión de aire correcta es la más baja con la que pueda realizarse el trabajo. La utilización del martillo neumático con una presión de aire más alta de la requerida lo forzará innecesariamente.

CARGA DE PUNTAS

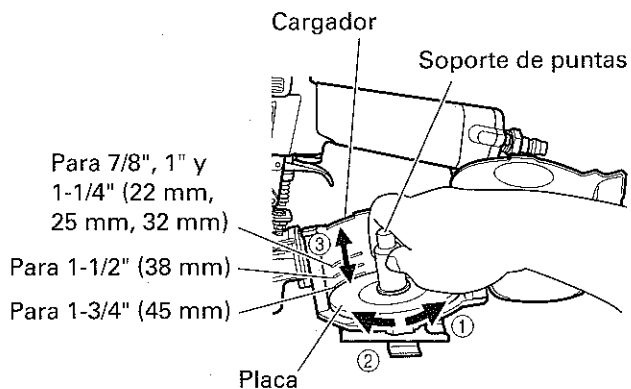
⚠ ADVERTENCIA

- Cuando cargue las puntas en el martillo neumático,
 - 1) no apriete el gatillo,
 - 2) no apriete la palanca de empuje, y
 - 3) mantenga el martillo neumático apuntando hacia abajo.

- (1) Sujete la guía de puntas y la perilla con sus dedos. Apriete la perilla y oscile la guía de puntas para abrirla. Luego, abra la cubierta del cargador.

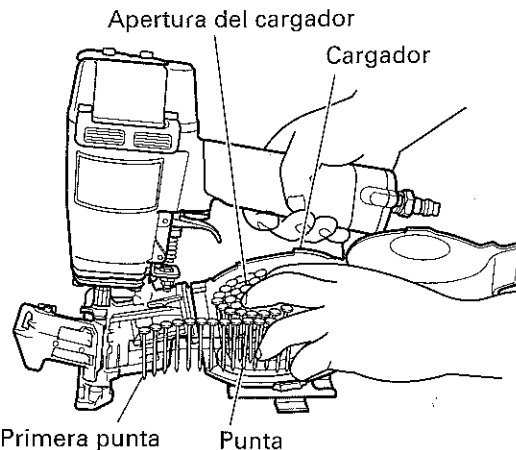


- (2) Ajuste la posición del soporte de puntas de acuerdo con la longitud de las mismas. Las puntas no se alimentarán uniformemente si el soporte de las mismas no está correctamente ajustado.
 - ① Gire el soporte de puntas unos 90 grados hacia la izquierda.
 - ② Mueva el soporte de puntas hacia arriba y hacia abajo hasta alinear la placa del mismo con la marca del cartucho, de acuerdo con la longitud de las puntas que vaya a utilizar.
 - ③ Gire el soporte de puntas 90 grados hacia la derecha hasta que oiga un "clíc".

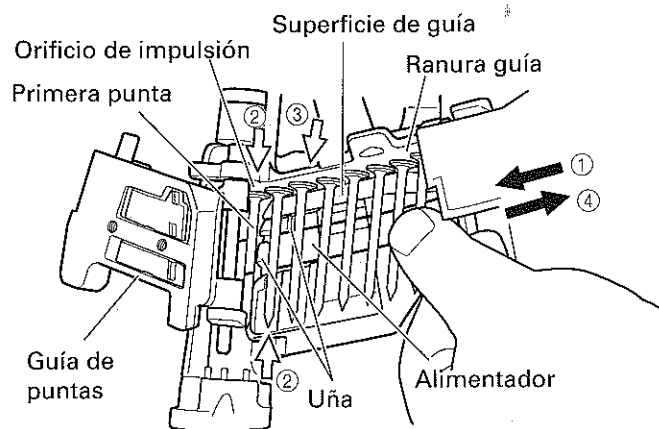


NOTA: Antes de cargar puntas en el cargador, ajuste el soporte de puntas. Si cerrase la cubierta del cargador a la fuerza sin haber ajustado correctamente el soporte de puntas, éste podría dañarse.

- (3) Coloque la ristra de puntas en el cargador. Inserte la primera punta en la abertura del cargador.

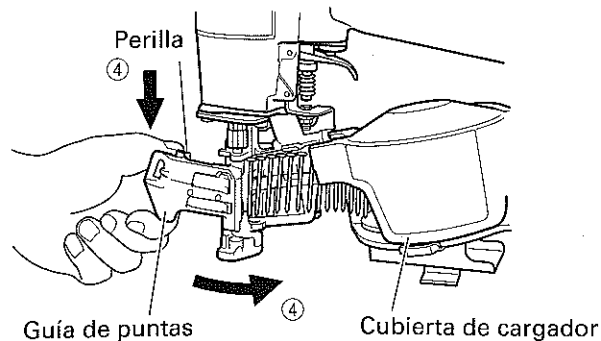


- (4) Cierre la cubierta del cargador.
- (5) ① Desbobine suficientes puntas para llegar al orificio de impulsión.
 - ② Inserte la primera punta en el orificio de impulsión y la segunda entre las dos uñas del alimentador.
 - ③ Fije las cabezas de las puntas en la ranura guía.



NOTA: Tenga cuidado de no deformar los alambres de unión de las puntas y de no desenganchar las puntas con la superficie guía. De lo contrario, la guía de puntas no se cerraría correctamente.

- (4) Empuje las puntas hacia la derecha. Después de comprobar que la cubierta del cargador se encuentra cerrada, enganche sus dedos en la guía de puntas y la perilla, gire la guía de puntas en el sentido de las agujas del reloj mientras aprieta la perilla hacia abajo, y luego cierre completamente la guía de puntas.



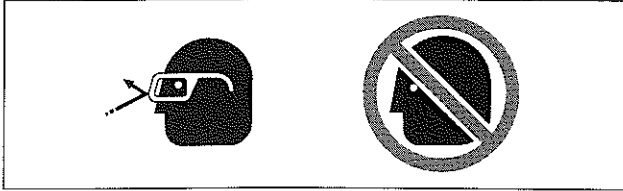
- (6) Bloquee completamente la perilla.

El martillo neumático habrá quedado listo para funcionar.

OPERACIÓN DEL MARTILLO NEUMÁTICO

Lea la sección titulada "SEGURIDAD" (páginas 37 - 40).

⚠ PELIGRO



- Utilice siempre gafas protectoras con blindajes laterales, de conformidad con las especificaciones de ANSI Z87, 1.

⚠ ADVERTENCIA

- No apunte nunca con el martillo neumático hacia sí mismo ni hacia otras personas.
- No transporte nunca el martillo neumático con un dedo en el gatillo.
- No coloque sus manos ni pies a menos de 8" (200 mm) de la cabeza de salida de las puntas.
- No clave una punta sobre otra, ni con el martillo neumático con un ángulo demasiado agudo, ya que las puntas podrían rebotar y herir a alguien.
- Para evitar el doble disparo o la expulsión inesperado de una punta debido al rebote del martillo neumático.
 - 1) no empuje el martillo neumático con demasiada fuerza contra la pieza de trabajo,
 - 2) separe el martillo neumático de la pieza de trabajo utilizando el coletazo,
 - 3) suelte el gatillo rápidamente después del disparo.
- No clave puntas en paneles finos ni cerca de esquinas ni bordes de la pieza de trabajo. Las puntas podrían traspasar la pieza de trabajo y lesionar a alguien.
- No clave nunca puntas desde ambos lados de una pared al mismo tiempo. Las puntas podrían traspasar la pared y lesionar a la persona de la otra parte.
- No utilice nunca un martillo neumático defectuoso o que funcione anormalmente.
- No utilice el martillo neumático a modo de martillo normal.
- Desconecte la manguera de aire del martillo neumático cuando:
 - 1) no vaya a utilizarlo,
 - 2) vaya a abandonar el área de trabajo,
 - 3) vaya a trasladarse a otro lugar, y
 - 4) vaya a entregárselo a otra persona.

Este martillo neumático Hitachi posee un MECANISMO DE DISPARO POR CONTACTO ESTÁNDAR (Disparo con rebote). También existe un juego de MECANISMO DE DISPARO SECUENCIAL OPCIONAL (DISPARO ÚNICO), con número de pieza de pedido 878226.

EL MECANISMO DE DISPARO POR CONTACTO

ESTÁNDAR (Disparo con rebote) es para utilizarse cuando se desee clavar rápidamente puntas y haya que seguir los "Métodos de operación".

NOTA

- Proceda con cuidado, dado que el último clavo puede caerse o introducirse en un ángulo irregular.

MÉTODOS DE OPERACIÓN

Este martillo neumático está equipado con una palanca de empuje, y no funcionará a menos que ésta esté presionada (posición hacia arriba).

Existen dos métodos de operación para clavar puntas con este martillo neumático.

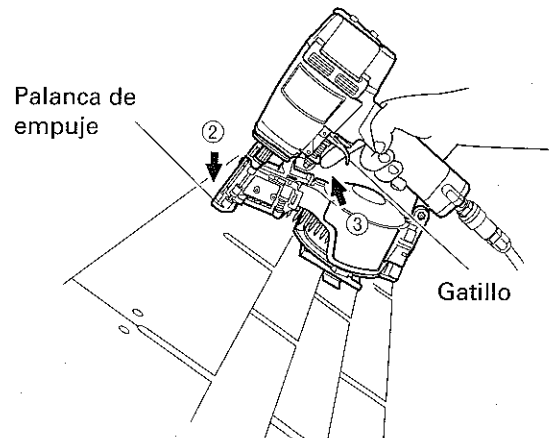
Estos métodos son:

1. Operación intermitente (Disparo con el gatillo);
2. Operación continua (Disparo con la palanca de empuje);

(1) Operación intermitente (Disparo con el gatillo):

- ① Coloque la salida de las puntas sobre la pieza de trabajo con el dedo fuera del gatillo.
- ② Presione a fondo la palanca de empuje.
- ③ Apriete el gatillo para clavar la punta.
- ④ Separe el dedo del gatillo.

Para clavar otra punta, mueva el martillo neumático hasta la posición siguiente de la pieza de trabajo y repita este procedimiento.

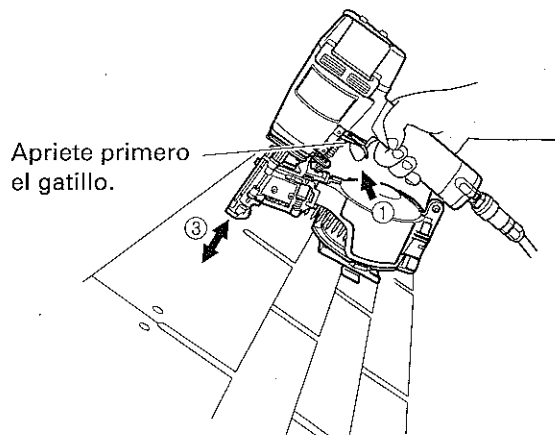


(2) Operación continua (Disparo con la palanca de empuje)

- ① Apriete el gatillo con el martillo neumático fuera de la pieza de trabajo.
- ② Presione la palanca de empuje contra la pieza de trabajo para clavar una punta.
- ③ Desplace el martillo neumático por la pieza de trabajo con un movimiento de rebote.

Con cada presión de la palanca de empuje se clavará una punta.

Después de haber clavado las puntas necesarias, separe el dedo del gatillo.



⚠ ADVERTENCIA

- Mantenga el dedo separado del gatillo excepto durante la operación, porque esto podría resultar en lesiones si la palanca de presión entrase en contacto con su cuerpo o con el de otras personas del área de trabajo.
- Mantenga las manos y el cuerpo alejados del área de descarga. El martillo neumático con mecanismo de disparo por contacto puede rebotar de una punta ya clavada y clavar otra no deseada, provocando posiblemente lesión.
- Algunos tipos de puntas cargadas pueden echar chispas a través de la boca durante la operación de clavado. ¡Tenga cuidado!

EL MECANISMO DE DISPARO SECUENCIAL OPCIONAL (PIEZAS DE DISPARO ÚNICO) es para clavar puntas con precisión y deberá utilizarse de acuerdo con el "Método de operación" siguiente.

Usted tendrá que presionar en primer lugar la palanca de empuje (posición superior) cuando desee clavar una punta, y apriete el gatillo. Después de haber clavado cada punta, suelte completamente el gatillo y levante el martillo neumático de la superficie de trabajo. El MECANISMO DE DISPARO SECUENCIAL OPCIONAL puede reducir la posibilidad de lesiones tanto personales como de otras personas del área de trabajo. Esto se debe a que es menos probable que pueda clavar puntas si mantiene el disparador apretado y golpea accidentalmente la palanca de empuje contra su cuerpo o el de otras personas. El MECANISMO DE DISPARO SECUENCIAL OPCIONAL puede reducir también la velocidad de operación en comparación con el mecanismo de disparo por contacto estándar.

NOTA:

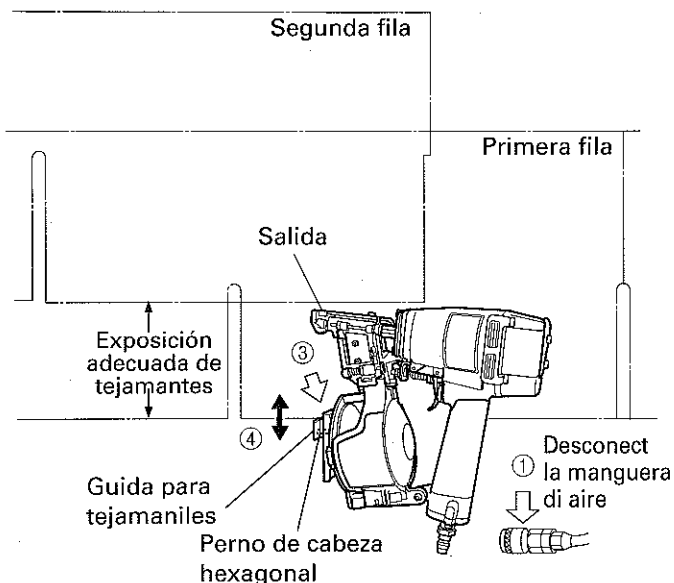
- Tanto el MECANISMO DE DISPARO POR CONTACTO ESTÁNDAR como el MECANISMO DE DISPARO SECUENCIAL OPCIONAL serán seguros si se utilizan como se ha descrito y de acuerdo con todas las advertencias e instrucciones.
- Manipule siempre las puntas y el paquete con cuidado. Si se caen puntas, el alambre que las intercala puede dañarse y cortarse, lo cual causará una alimentación errónea y atascos.

- Después de haber clavado puntas:
 - 1) desconecte la manguera de aire del martillo neumático,
 - 2) extraiga todas las puntas del martillo neumático,
 - 3) aplique 5 – 10 gotas de lubricante para herramientas neumáticas Hitachi a la entrada de aire del martillo neumático, y
 - 4) abra la llave de escape del depósito del compresor de aire para drenar la humedad que pueda existir.

EMPLEO DE LA GUÍA PARA TEJAMANILES

La guía para tejamaniles puede utilizarse para controlar la separación de los tejamaniles. Ajuste la guía para tejamaniles en el orden siguiente.

- ① DESCONECTE LA MANGUERA DE AIRE DEL MARTILLO.
- ② Afloje el perno de cabeza hexagonal con la llave hexagonal
- ③ Ponga la guía para tejamaniles contra la parte inferior de la primera fila de tejamaniles.
- ④ Ajuste la distancia entre la salida y la guía para tejamaniles a la exposición adecuada de tejamaniles deslizándola.
- ⑤ Apriete el perno de cabeza hexagonal.



NOTA:

- La exposición adecuada de tejamaniles dependerá del tipo de tejamaniles y de las especificaciones del fabricante.
- La guía para tejamaniles no deberá utilizarse como indicador de situación de puntas.

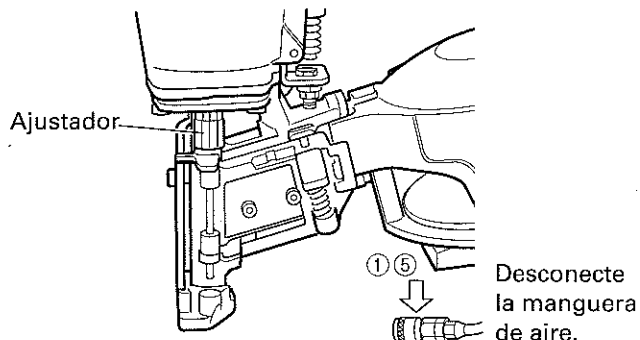
AJUSTE DE LA PROFUNDIDAD DE CLAVADO

Para asegurar que cada punta penetre con la misma profundidad, cerciórese de que:

- 1) la presión de aire suministrada al martillo neumático permanezca constante (regulador instalado y trabajando adecuadamente), y
- 2) esté sujetando firmemente el martillo neumático contra la pieza de trabajo.

Si las puntas penetran demasiado o demasiado poco en la pieza de trabajo, realice el ajuste en el orden siguiente.

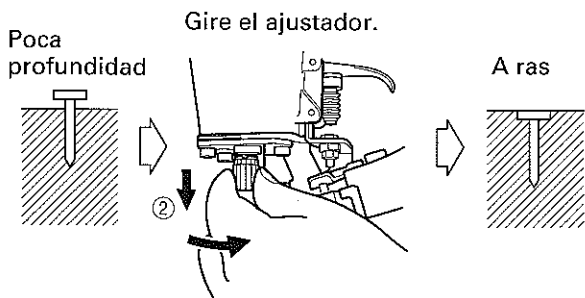
- ① DESCONECTE LA MANGUERA DE AIRE DEL MARTILLO NEUMÁTICO.



- ② Si las puntas penetran demasiado, gire el ajustador en el sentido contrario a las agujas del reloj mientras tira del mismo hacia abajo. Al soltarlo, el ajustador vuelve hacia arriba. Asimismo, gire el ajustador hasta llegar a una posición en que quede bloqueado.



Si las puntas se insertan demasiado poco, gire el ajustador en el sentido de las agujas del reloj mientras tira del mismo hacia abajo. Al soltarlo, el ajustador vuelve hacia arriba. Asimismo, gire el ajustador hasta llegar a una posición en que quede bloqueado.



El ajustador puede fijarse cada 1/4 de rotación. El ajustador se mueve aproximadamente 0,25mm por 1/4 de rotación.

- ③ Deje de girar el ajustador cuando alcance la posición apropiada realizando una prueba de clavado.
 ④ Conecte la manguera de aire.
UTILICE SIEMPRE GAFAS PROTECTORAS PARA LOS OJOS.
 Realice una prueba de clavado.
 ⑤ DESCONECTE LA MANGUERA DE AIRE DEL MARTILLO NEUMÁTICO.
 ⑥ Elija la posición adecuada para el ajustador.

MANTENIMIENTO

NOTA:

La información contenida en este manual ha sido diseñada para ayudarle a mantener con seguridad este martillo neumático.

Algunas ilustraciones de este manual pueden mostrar detalles o dispositivos diferentes a los de su propio martillo neumático.

MANTENIMIENTO E INSPECCIÓN

Lea la sección titulada "SEGURIDAD" (páginas 37 - 40).

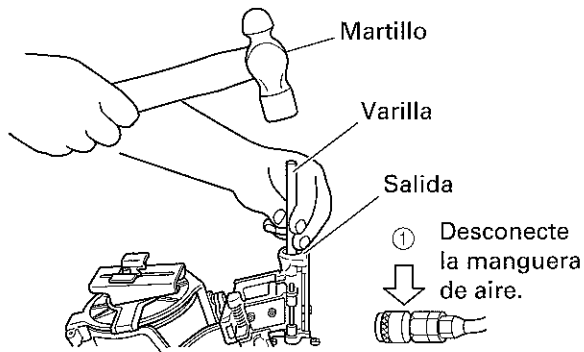
⚠ ADVERTENCIA

- Desconecte la manguera y extraiga todas las puntas del martillo neumático antes de:
 - 1) realizar trabajos de mantenimiento e inspección, y
 - 2) desatascar el martillo neumático.
- No emplee nunca gasolina ni otros líquidos muy inflamables para la limpieza.

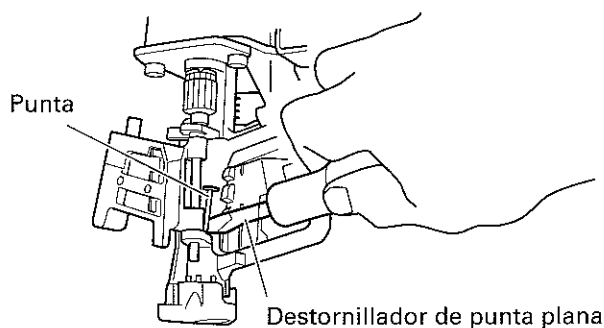
1. Desatascado

Desatasque las puntas en el orden siguiente:

- ① DESCONECTE LA MANGUERA DE AIRE.
- ② Abra la guía de puntas.
- ③ Inserte una varilla en la salida.
Golpee la varilla con un martillo.



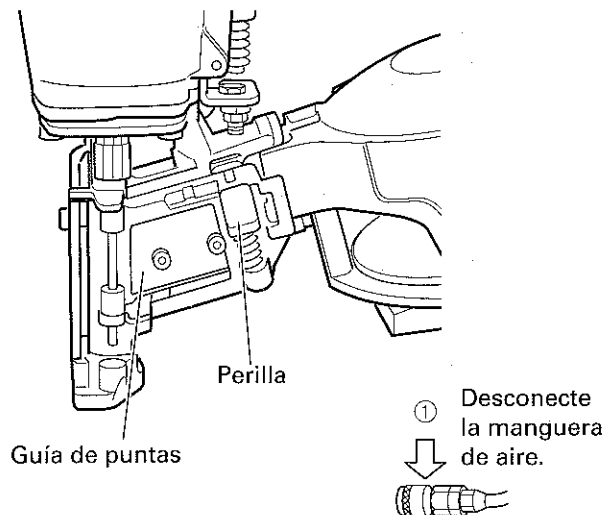
- ④ Quite la punta atascada con un destornillador de punta plana.



- ⑤ Corte el alambre de unión deformado con unos alicates.
Corrija la deformación.
- ⑥ En caso de atasco frecuente, póngase en contacto con un centro de reparaciones autorizado por Hitachi.

2. Inspección de los alimentadores

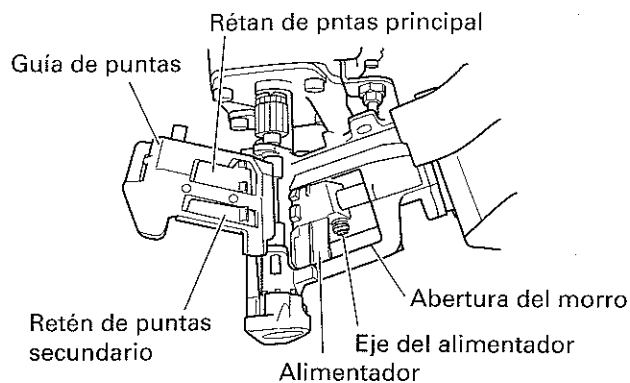
- ① DESCONECTE LA MANGUERA DE AIRE.
- ② Limpie la parte deslizante de la perilla.
Lubríquela con lubricante para herramientas neumáticas Hitachi.



- ③ Abra la guía de puntas y saque el polvo.
Lubríquela la abertura del morro y el eje del alimentador.

⚠ PRECAUCIÓN

- Compruebe que el retén de puntas principal y el retén de puntas secundario se deslicen con suavidad presionándolos con el dedo.
Si no hay suavidad, las puntas se clavarán a ángulos irregulares y pueden herir a alguien.



- ④ Lubrique las superficies del morro y de la guía de puntas después de la limpieza. Esto suavizará la operación e impedirá la oxidación.

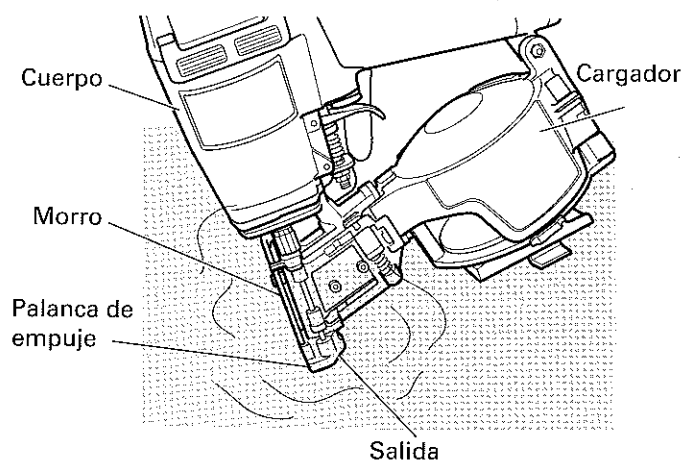
3. Limpieza y extracción del alquitrán y de la suciedad

El alquitrán y de la suciedad pueden acumularse en el morro y en la palanca de empuje. Todo esto puede impedir la operación correcta.

Limpie y extraiga el alquitrán y de la suciedad con queroseno, aceite combustible N° 2 o combustible diesel.

NO EMPLEE NUNCA GASOLINA ni otros líquidos muy inflamables. El vapor de estos líquidos que quede en el interior del martillo podría encenderse por las chispas que se producen al clavar puntas, lo cual podría producir una explosión.

- ① Sumerja en solvente sólo la parte en torno a la salida.
No sumerja el cargador ni el cuerpo.
Las partes de plástico y la junta tórica podrían dañarse.



- ② Seque el martillo antes de utilizarlo. Cualquier residuo aceite que quede después de la limpieza acelerará la acumulación de alquitrán, y el martillo necesitará la limpieza con mayor frecuencia.
- ③ Asegúrese de que la palanca de empuje funciona correctamente.

⚠ ADVERTENCIA

- No utilice nunca el martillo a menos que la palanca de empuje funcione correctamente.

NOTA:

- Los solventes rociados en el morro para limpiar y liberar la palanca de empuje puede tener un efecto contrario. El solvente puede ablandar el alquitrán de los tajamaniles con mayor rapidez. Es mejor que funcione completamente seco.

4. Inspección del cargador

- ① DESCONECTE LA MANGUERA DE AIRE.
② Limpie el cargador. Quite el polvo o las virutas de madera que puedan haberse acumulado en el cargador.

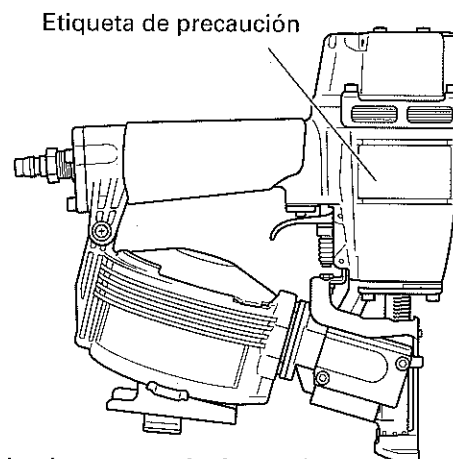
5. Almacenamiento

- Cuando no vaya a utilizar el martillo neumático durante mucho tiempo, aplique una capa fina de lubricante a las piezas de acero para evitar que se oxiden.
- No guarde el martillo neumático en un lugar frío. Guarde el martillo neumático en un lugar cálido.
- Cuando no vaya a utilizar el martillo neumático, deberá guardarlo en un lugar cálido y fresco. Mantenga el martillo neumático fuera del alcance de los niños.

6. ETIQUETA DE PRECAUCIÓN

Si la ETIQUETA DE PRECAUCIÓN se pierde o daña, cámbiela por otra.

Solicite la nueva ETIQUETA DE PRECAUCIÓN a un centro de reparaciones autorizado por Hitachi.



7. Tabla de mantenimiento (Consulte la página 53.)

8. Solución de problemas por parte del operador (Consulte la página 53.)

SERVICIO Y REPARACIONES

⚠ ADVERTENCIA

- Este martillo neumático solamente deberá repararlo personal entrenado por Hitachi, un distribuidor, o el empresario.
- Para la reparación, utilice solamente las piezas suministradas o recomendadas por Hitachi.

Todos los martillos neumáticos de calidad requerirán el servicio de mantenimiento o de reemplazo de piezas debido al desgaste con la utilización normal.

NOTA:

Las especificaciones están sujetas a cambios sin previo aviso sin ninguna obligación por parte de HITACHI.

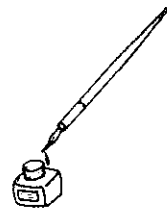
Tabla de mantenimiento

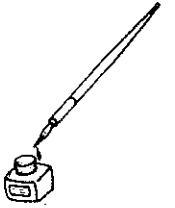
ACCIÓN	PARA	CÓMO
Drenaje diario del filtro de la línea de aire.	Evitar la acumulación de humedad y suciedad.	Abra la llave de escape manual.
Mantenimiento del lubricador lleno.	Mantener el martillo neumático lubricado.	Rellene con lubricante para herramientas neumáticas Hitachi.
Limpieza del elemento del filtro y soplado de aire a través del mismo en sentido opuesto al normal de flujo del aire.	Evitar que el filtro se atasque con suciedad.	Siga las instrucciones del fabricante.
Limpieza del cargador y del mecanismo del alimentador.	Evitar atascos.	Sople diariamente.
Mantenimiento de la palanca de empuje en perfectas condiciones.	Garantizar la seguridad del operador y la operación eficaz del martillo neumático.	Sople diariamente.
Lubricación del martillo neumático después de haberlo utilizado.	Prolongar la duración del martillo neumático.	Aplique 5 – 10 gotas de lubricante al martillo neumático.
Drenaje del compresor de aire.	Mantener el martillo neumático en buenas condiciones de operación.	Abra la llave del tanque compresor de aire.

Solución de problemas por parte del operador

La mayoría de los problemas sin importancia podrán resolverse fácilmente utilizando la tabla siguiente. Si el problema persiste, póngase en contacto con un centro de reparaciones autorizado por Hitachi.

PROBLEMA	MÉTODO DE COMPROBACIÓN	SOLUCIÓN
El martillo neumático funciona pero no clava puntas.	Abra la guía de puntas Compruebe si está atascado.	Desatásquelo de acuerdo con la página 50.
	Compruebe el funcionamiento del alimentador de acuerdo con la página 50.	Limpie y lubrique.
	Compruebe si las puntas son las apropiadas.	Utilice solamente las puntas recomendadas.
Poca fuerza. Reciclado lento.	Compruebe la presión de aire.	Aumente la presión de aire. (No sobrepase 120 psi (8,3 barías, 8,5 kgf/cm ²)).
	Compruebe la posición del ajustador según la página 48.	Vuelva a efectuar el ajuste.
	---	Utilice lubricante para herramientas neumáticas Hitachi.
	¿Está gastada la cuchilla impulsora? ¿Está gastado o dañado la junta tórica pistón?	Póngase en contacto con Hitachi para reemplazarlo.
Las puntas penetran demasiado.	Compruebe la presión de aire.	Reduzca la presión de aire. (Ajustela a 70 – 120 psi. (4,9 – 8,3 barías 5 – 8,5 kgf/cm ²))
	Compruebe la posición del ajustador según la página 48.	Vuelva a efectuar el ajuste.
Salto de puntas. Alimentación intermitente.	Compruebe si está utilizando las puntas apropiadas.	Utilice solamente las puntas recomendadas.
	Compruebe el funcionamiento del alimentador de acuerdo de clavos con la página 50.	Limpie y lubrique.
	---	Utilice lubricante para herramientas neumáticas Hitachi.
	Compruebe la posición del soporte de puntas en el cargador de acuerdo con la página 46.	Ajuste el soporte de puntas en la posición apropiada.
	¿Está la junta tórica pistón cortada o muy gastada?	Póngase en contacto con Hitachi para reemplazarlo.
Puntas atascadas. Las puntas se clavan dobladas.	Compruebe si las puntas son las apropiadas.	Utilice solamente las puntas recomendadas.
	¿Está gastada la cuchilla impulsora?	Póngase en contacto con Hitachi para reemplazarlo.
El funcionamiento es normal, pero no es posible clavar a gran velocidad.	Compruebe el diámetro interior de la manguera de aire.	Utilice otra manguera de aire de mayor diámetro.





Issued by

Hitachi Koki Co., Ltd.

Shinagawa Intercity Tower A, 15-1, Konan 2-chome,
Minato-ku, Tokyo 108-6020, Japan

Distributed by

Hitachi Koki U.S.A., Ltd.

3950 Steve Reynolds Blvd.
Norcross, GA 30093

Hitachi Koki Canada Co.

6395 Kestrel Road
Mississauga ON L5T 1Z5

Free Manuals Download Website

<http://myh66.com>

<http://usermanuals.us>

<http://www.somanuals.com>

<http://www.4manuals.cc>

<http://www.manual-lib.com>

<http://www.404manual.com>

<http://www.luxmanual.com>

<http://aubethermostatmanual.com>

Golf course search by state

<http://golfingnear.com>

Email search by domain

<http://emailbydomain.com>

Auto manuals search

<http://auto.somanuals.com>

TV manuals search

<http://tv.somanuals.com>