

FOR SERVICE PERSONNEL ONLY

HITACHI HITACHI SPLIT-UNIT AIR CONDITIONER INSTALLATION MANUAL

Indoor Unit / Outdoor Unit

RAK-18PED/RAC-18WED	RAK-25PEDC/RAC-25WED
RAK-25PED/RAC-25WED	RAK-35PEDC/RAC-35WED
RAK-35PED/RAC-35WED	RAK-50PEDC/RAC-50WED
RAK-50PED/RAC-50WED	

SAFETY PRECAUTION

- ⚠ This appliance is filled with R32.
 - Read the safety precautions carefully before operating the unit.
 - The contents of this section are vital to ensure safety. Please pay special attention to the following sign.
 - WARNING** Incorrect methods of installation may cause death or serious injury.
 - CAUTION** Improper installation may result in serious consequence.
 - Make sure to connect earth line.**
 - This sign in the figures indicates prohibition.**
- Be sure that the unit operates in proper condition after installation. Explain to customer the proper operation and maintenance of the unit as described in the user's guide. Ask a customer to keep this installation manual together with the instruction manual.

WARNING

- Please request your sales agent or qualified technician to install your unit. Water leakage, short circuit or fire may occur if you do the installation work yourself.
- Please observe the installation stated in the installation manual during the process of installation. Improper installation may cause water leakage, electric shock and fire.
- Make sure that the units are mounted at locations which are able to provide full support to the weight of the units. If not, the units may collapse and impose danger.
- Observe the rules and regulations of the electrical installation and the methods described in the installation manual when dealing with the electrical work. Use cables which are approved official in your country. Be sure to use the specified circuit. A short circuit and fire may occur due to the use of low quality wire or improper work.
- Be sure to use the specified cables for connecting the indoor and outdoor units. Please ensure that the connections are tight after the conductors of the wire are inserted into the terminals to prevent the external force is being applied to the connection section of the terminal base. Improper insertion and loose contact may cause over-heating and fire.
- Please use the specified components for installation work. Otherwise, the unit may collapse or water leakage, electric shock, fire or stronger vibration may occur.
- Be sure to use the specified piping set for R410A, R32. Otherwise, this may result in broken copper pipes or faults.
- When installing or transferring an air conditioner to another location, make sure that air other than the specified refrigerant (R32) does not enter the refrigeration cycle. If other air should enter, the pressure level of the refrigeration cycle may increase abnormally which could result in a rupture and injury.
- Never install a drier in this R32 unit in order to guarantee its lifetime.
- Be sure to ventilate fully if a refrigerant gas leak while at work. If the refrigerant gas comes into contact with fire, a poisonous gas may occur.
- After completion of installation work, check to make sure that there is no refrigeration gas leakage. If the refrigerant gas leaks into the room, coming into contact with fire in the fan-driven heater, space heater, etc., a poisonous gas may occur.
- Unauthorized modifications to the air conditioner may be dangerous. If a breakdown occurs please call a qualified air conditioner technician or electrician. Improper repairs may result in water leakage, electric shock and fire, etc.
- Be sure to connect the earth line from the power supply wire to the outdoor unit and between the outdoor and indoor unit. Do not connect the earth line to the gas tube, water pipe, lighting rod or the earth line of the telephone unit. Improper earthing may cause electric shocks.
- When finishing the refrigerant collection (pumping down), stop the compressor and then remove the coolant pipe. If you remove the refrigerant pipe while the compressor is operating and the service valve is released, air is sucked and a pressure in the freezing cycle system will build up steeply, causing an explosion or injury.
- When installing the unit, be sure to install the refrigerant pipe before starting the compressor. If the refrigerant pipe is not installed and the compressor is operated with the service valve released, air is sucked and the pressure level of the refrigeration cycle may increase abnormally which could result in a rupture and injury.
- The electric cables should neither be reworked nor added. Make sure to use an exclusive circuit breaker. Otherwise fire or electric shock might occur by connection failure, isolation failure or over current.
- Make sure to connect cables to terminal properly and terminal cover should close firmly. Otherwise, over heating at terminal contact, fire or electric shock might occur.
- Make sure that there is no dust on any connected points of electric cables and fix firmly. Otherwise, fire or electric shock might occur.

CAUTION

- A circuit breaker must be installed in the house distribution box for the direct connected power supply cables to the outdoor unit. In case of other installations a main switch with a contact gap or more than 3mm has to be installed. Without a circuit breaker, the danger of electric shock exists.
- Do not install the unit near a location where there is flammable gas. The outdoor unit may catch fire if flammable gas leaks around it.
- Please ensure smooth flow of water when installing the drain hose. Improper installing may wet your furniture.
- An IEC approved power cord should be used. Power cord type: NYM.

THE CHOICE OF MOUNTING SITE (Please note the following matters and obtain permission from customer before installation.)

WARNING

- The unit should be mounted at stable, non-vibratory location which can provide full support to the unit.

CAUTION

- No nearby heat source and no obstruction near the air outlet is allowed.
- The clearance distances from top, right and left are specified in figure below.
- The location must be convenient for water drainage and pipe connection with the Outdoor unit.
- To avoid interference from noise, please place the unit and its remote controller at least 1m from the radio and television.
- To avoid any error in signal transmission from the remote controller, please put the controller far away from high-frequency machines and high-power wireless systems.
- The installation height should be at least 2300 mm or more from the floor.

WARNING

- The Outdoor unit must be mounted at a location which can support heavy weight. Otherwise, noise and vibration will increase.

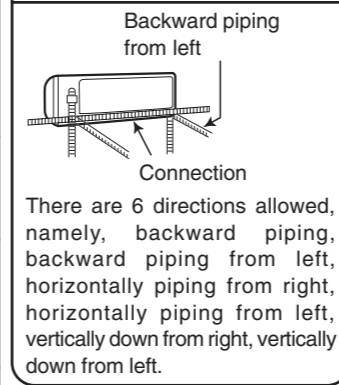
CAUTION

- Selecting the installation location: Suitable location that will reduce the impact from rain and direct sun that may affect the unit performance. Besides, ventilation must be good and clear of obstruction.
- The air blown out of the unit should not point directly to animals or plants.
- The clearances of the unit from top, left, right and front are specified in figure below. At least there of the above sides must be open air.
- Be sure that the hot air blown out of the unit and noise do not disturb the neighbourhood.
- Do not install at a location where there is flammable gas, steam, oil and smoke.
- The location must be convenient for water drainage.
- Place the Outdoor unit and its connecting cord at least 1 m away from the antenna or signal line of television, radio or telephone. This is to avoid noise interference.

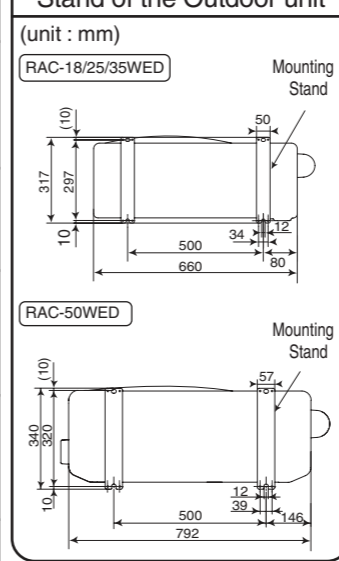
Names of Indoor Components

No.	Item	Qty
①	Hanger	1
②	Screw for Hanger	5
③	AAA size Battery	2
④	Screw for holder of Remote Controller	1
⑤	Remote Controller	1
⑥	Insulation sheet	1
⑦	Drain Pipe	1
⑧	Bush (RAC-50WED)	2
⑨	Binding band	2

Direction of Piping

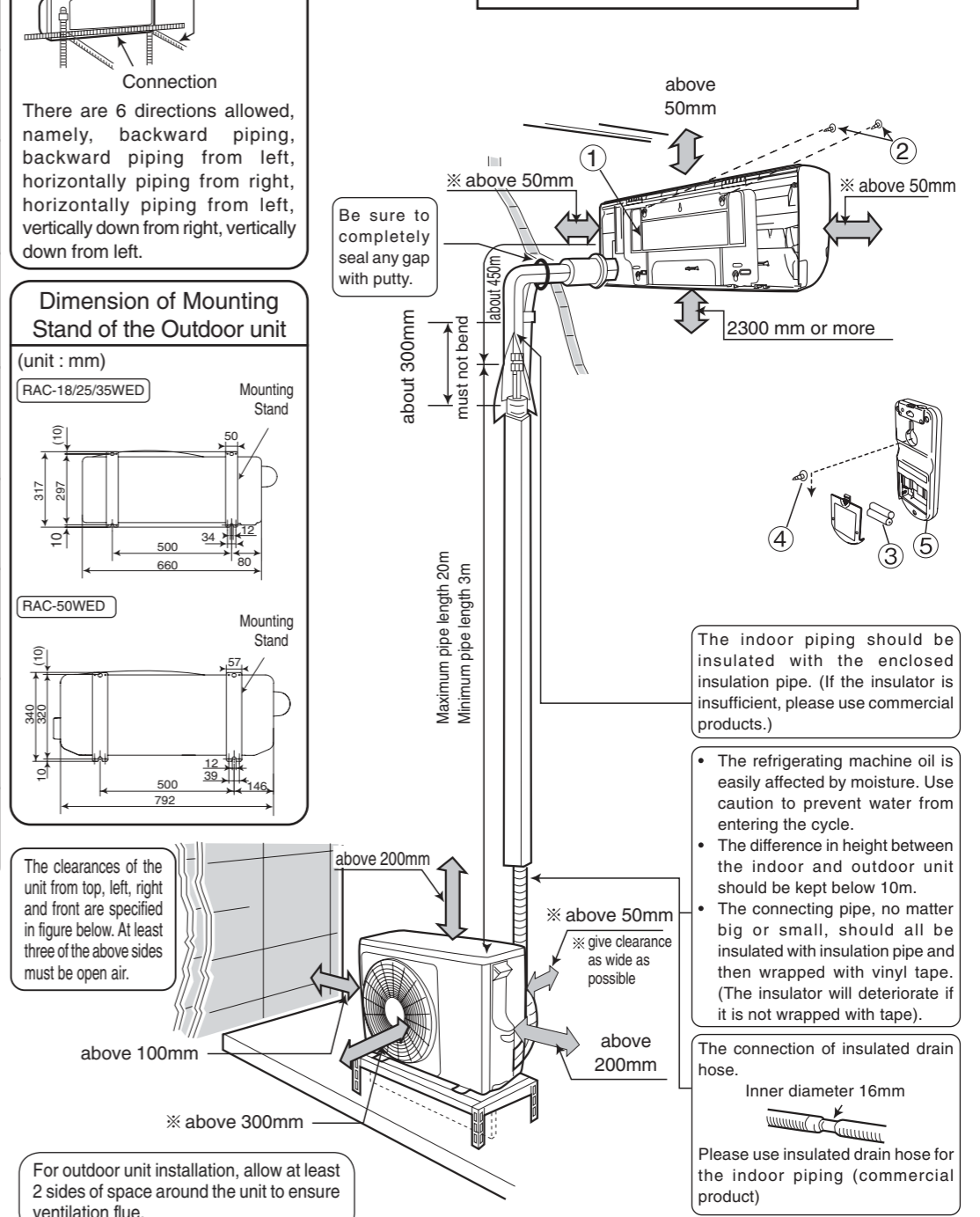


Dimension of Mounting Stand of the Outdoor Unit



The component of (7)(8) is included in the package of the outdoor unit.

Figure showing the Installation of Indoor and Outdoor Unit.



The indoor piping should be insulated with the enclosed insulation pipe. (If the insulator is insufficient, please use commercial products.)

The refrigerating machine oil is easily affected by moisture. Use caution to prevent water from entering the cycle. The difference in height between the indoor and outdoor unit should be kept below 10m. The connecting pipe, no matter big or small, should all be insulated with insulation pipe and then wrapped with vinyl tape. (The insulator will deteriorate if it is not wrapped with tape.)

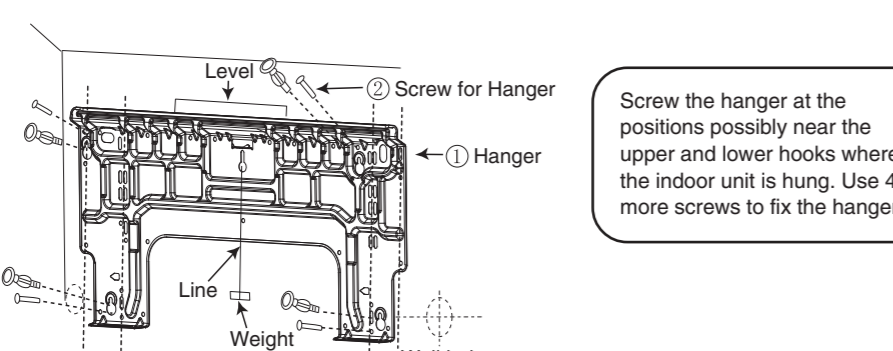
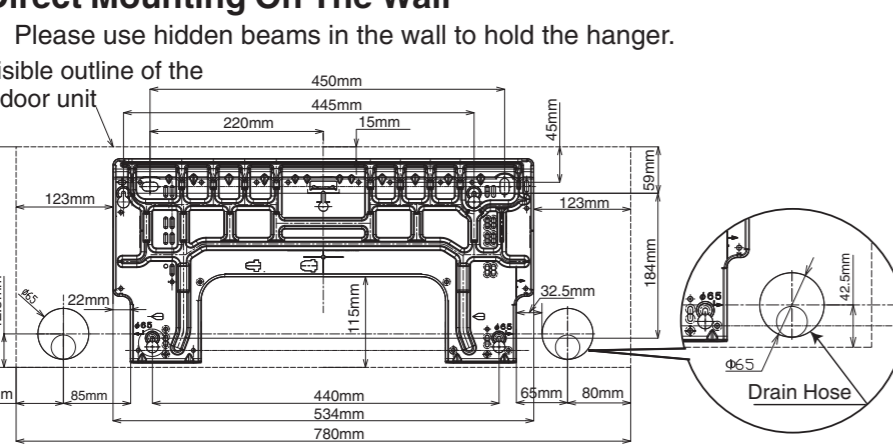
The connection of insulated drain hose. Inner diameter 16mm. Please use insulated drain hose for the indoor piping (commercial product).

1 Installation of Hanger, Wall Penetration and Installation of Protection Pipe

CAUTION

- The draining of the water container inside the Indoor unit can be done from the left. Therefore the hanger must be fixed horizontally or slightly tilted towards the side of drain hose. Otherwise, condensed water may overflow the water container.

Direct Mounting On The Wall



Procedures of Installation and Precautions

- Drill holes on wall. (As shown below)
- Push plug into the holes. (As shown below)
- Fix the hanger on wall with 4.1 x 32 screw. (As shown in figure below)

Wall Penetration and Installation of Protection Pipe

- Drill a ø65mm hole on wall which is slightly tilted towards the outdoor side. Drill the wall at a small angle.
- Cut the protection pipe according to the wall thickness.
- Empty gap in the sleeve of protection pipe should be completely sealed with putty to avoid dripping of rain water into the room.
- Please ensure smooth flow of water when installing the drain hose. Improper installing may wet your furniture.
- An IEC approved power cord should be used. Power cord type: NYM.

2 Installation Of The Indoor Unit

Cutting Low Cover bush

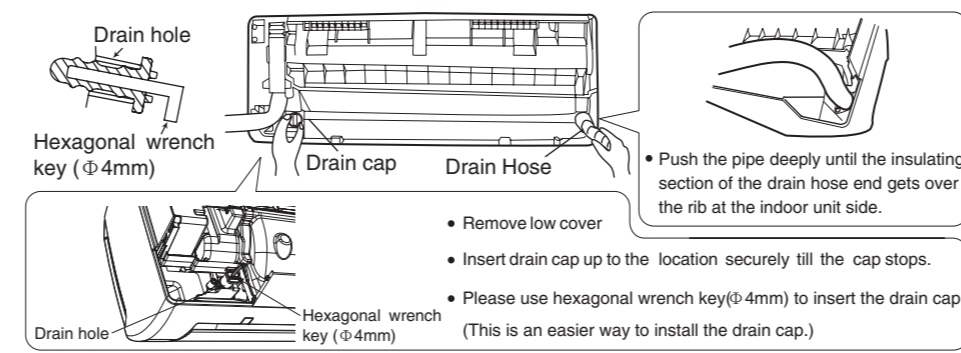
- While installing the pipe from the right, left or bottom side, use a knife to cut openings as shown in figure. Then smoothen the edges of openings with a file.

1 PIPING FROM THE RIGHT SIDE (BACKWARD, DOWNWARD, HORIZONTAL)

- Preparation**
- Connect connecting cord.
 - Pull out the pipe, connecting cord and drain hose.
- Installation**
- Insert the pipe through the wall hole.
 - The upper part of the Indoor unit is hanged on the hanger.
 - The projection at the lower part of the Indoor unit is hooked onto the hanger.

2 PIPING FROM THE LEFT SIDE (BACKWARD, DOWNWARD, HORIZONTAL)

- Preparation**
- Change of Drain Hose and Installation Procedures.
 - Exchange the location of drain hose and drain cap while installing the pipe from the left side as shown in below. Be sure to plug in the drain hose until the insulating material folds upon itself.



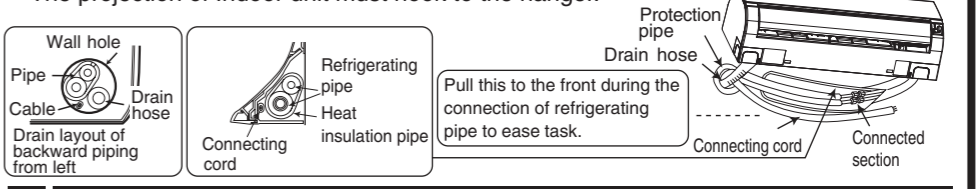
- Please use pliers to pull out the drain cap. (This is an easier way to remove the drain cap.)
- Remove low cover
- Insert drain cap up to the location securely till the cap stops.
- Please use hexagonal wrench key(φ4mm) to insert the drain cap. (This is an easier way to install the drain cap.)

INSTALLATION AFTER CONNECTION OF REFRIGERATING PIPES

- The refrigerating pipe should be adjusted to fit into the hole on the wall and then ready for further connection.
- The terminals of 2 connected pipes must be covered with insulator used for terminal connection. Then the pipes are wrapped with insulation pipe.
- Connect the connecting cord after removing low cover. (Refer to "CONNECTION OF POWER CORD")
- After adjustment, fit the connecting cord and pipes into the space available under the unit. Use holder to hold them tight.
- Be sure to cut the extra binding band. (Otherwise, it may result in abnormal noise or dewfall.)

THE CONNECTION OF REFRIGERATING PIPE DURING THE INSTALLATION OF INDOOR UNIT

- Preparation To Install Refrigerating Pipes**
- The refrigerating pipes and connecting cord transform and are attached.
- Installation**
- Hang the indoor unit onto the hanger. Use the temporary stand at the back of the Indoor unit to push its lower part 15cm forwards.
 - Place the drain hose through the hole on the wall.
 - Wrap the refrigerating pipes with insulation pipe after connecting refrigerating pipe.
 - Connect the connecting cord after removing low cover. (Refer to "Connection of Power Cord")
 - After adjustment, the connecting cord and refrigerating pipes are placed into the space available under the Indoor unit.
 - The projection of Indoor unit must hook to the hanger.



3 Heat Insulation and Finish of the Piping

- The connected terminals should be completely sealed with heat insulator and then tied up with rubber strap.
- Do not tie the terminals with the tape too tight. If any clearance or over-tightening may cause condensation.
- Please tie the pipe and power line together with vinyl tape as shown in the figure showing the installation of Indoor and Outdoor units.
- To enhance the heat insulation and to prevent water condensation, please cover the outdoor part of the drain hose and pipe with insulation pipe.
- Completely seal any gap with putty.

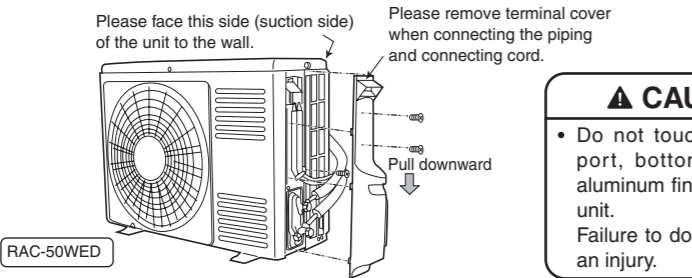
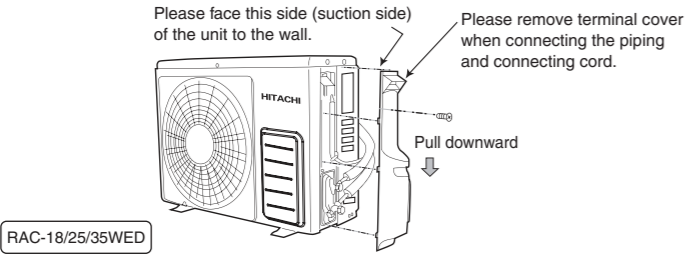
4 Installation of Drain Hose

- Bending upwards
 - Condensed water pond
 - Be sure that the drain hose is not loosely connected bend or proper condition like left figure.
- CAUTION**
- You are free to choose the side (left or right) for the installation of drain hose. Please ensure the smooth flow of condensed water of the Indoor unit during installation. (Careless may result in water leakage.)



OUTDOOR UNIT

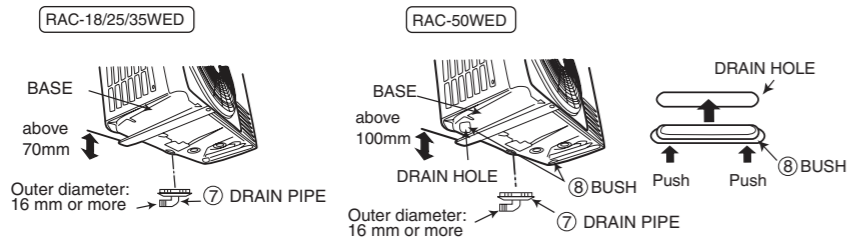
- Please mount the Outdoor unit of stable ground to prevent vibration and increase of noise level.
- Decide the location for piping after sorting out the different types of pipe available.
- When removing side cover, please pull the handle after undoing the hook by pulling it downward. Reinstall the side cover in the reverse order of the removal.



CAUTION

- Do not touch the suction port, bottom surface, or aluminum fin of the outdoor unit. Failure to do so may cause an injury.

- CONDENSED WATER DISPOSAL OF OUTDOOR UNIT**
- There is holes on the base of Outdoor unit for condensed water to exhaust.
 - In order to flow condensed water to the drain, the unit is installed on a stand or a block so that the unit is 100mm above the ground as shown figure. Join the drain pipe to one hole.
 - After installation, check whether the drain pipe clings to the base firmly.

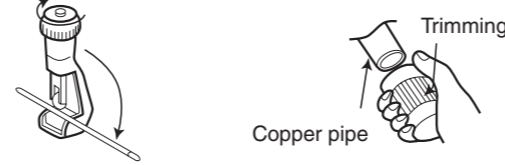


- Install the outdoor unit horizontally and make sure that condensate drains away.
- In case of using in chilly area Especially, in case that there are many snows by very cold in chilly area, condensed water freezes on the base and may result not to drain. In this case, please remove the bush and the drain pipe at the bottom of unit. (Left and center near discharge portion of air, each 1 place). It becomes smooth drain. Ensure that the distance from the drain hole to the ground is 250 mm or more.

INSTALLATION OF REFRIGERATING PIPES AND AIR REMOVAL

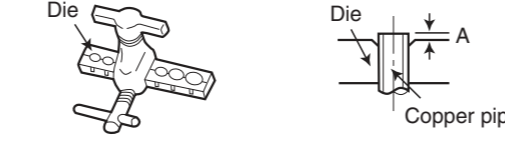
1 Preparation of Pipe

- Use a pipe cutter to cut the copper pipe and remove burr.



CAUTION

- Remove burr and jagged edge will cause leakage.
- Point the side to be trimmed downwards during trimming to prevent copper chips from entering the pipe.
- Before flaring, please put on the flare nut.



- Please use exclusive tool for refrigerant R410A, R32.

Outer Diameter (Ø)	A (mm) Rigid Flaring Tool	
	For R410A,R32 tool	For R22 tool
6.35 (1/4")	0 - 0.5	1.0
9.52 (3/8")	0 - 0.5	1.0
12.7 (1/2")	0 - 0.5	1.0

2 Pipe Connection

- In case of removing flare nut of an indoor unit, first remove a nut of small diameter side, or a seal cap of big diameter side will fly out. Free from water into the piping when working.
- Be sure to tighten the flare nut to the specified torque with a torque wrench. If the flare nut is overtightened, the nut may be split after a long period has passed, and may cause a refrigerant leak.

CAUTION

- Please be careful when bending the copper pipe.
- Screw in manually while adjusting the center. After that, use a torque wrench to tighten the connection.

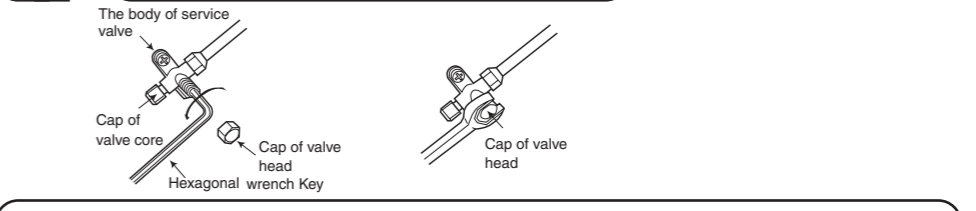
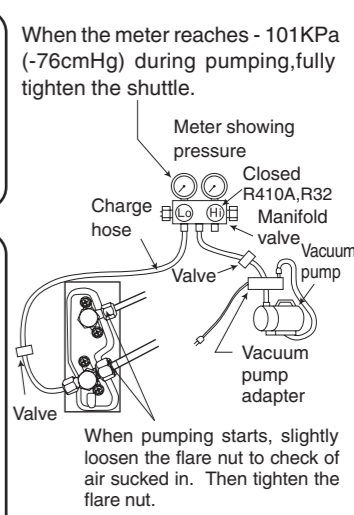
	Outer diameter of pipe (ø)	Torque N-m (kgf-cm)
Flare nut	Small diameter side	6.35 (1/4") 13.7-18.6 (140 - 190)
	Large diameter side	9.52 (3/8") 34.3-44.1 (350 - 450)
	12.7 (1/2")	44.1-53.9 (450 - 550)
Valve head cap	Small diameter side	6.35 (1/4") 19.6-24.5 (200 - 250)
	Large diameter side	9.52 (3/8") 19.6-24.5 (200 - 250)
	12.7 (1/2")	29.4-34.3 (300 - 350)
Valve core cap	12.3-15.7 (125 - 160)	

- Wrench
- Flare nut
- Torque wrench

3 Remove of Air From The Pipe And Gas Leakage Inspection

Procedures of using Vacuum Pump for Air Removal

- As shown in right figure, remove the cap of valve core. Then, connect the charge hose. Remove the cap of valve head. Connect the vacuum pump adapter to the vacuum pump and connect the charge hose to the adapter.
- Fully tighten the "Hi" shuttle of the manifold valve and completely unscrew the "Lo" shuttle. Run the vacuum pump for about 10-15 minutes, then completely tighten the "Lo" shuttle and switch off the vacuum pump.
 - Loosen the spindle of the service valve with small diameter by 1/4 turn and tighten the spindle immediately after 5 to 6 seconds.
 - Remove the charging hose from the service valve.
- Completely unscrew the spindle of the service valve (at 2 places) in anticlockwise direction to allow the flow of refrigerant (using Hexagonal Wrench key).
- Tighten the cap of valve head. Check the cap's periphery if there is any gas leakage. The task is then completed.



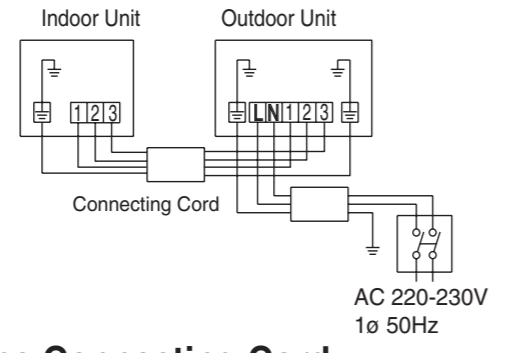
Gas leakage inspection

Please use gas leakage detector to check if leakage occurs at connection of Flare nut as shown on the right. If gas leakage occurs, further tighten the connection to stop leakage.

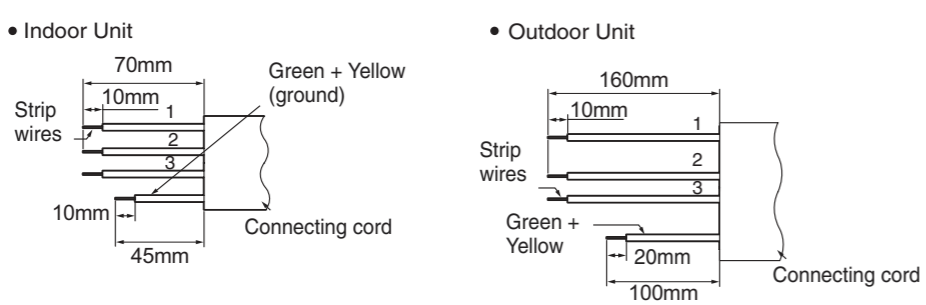
CONNECTION OF POWER CORD

WARNING THIS APPLIANCE MUST BE EARTHED.

Procedures of Wiring

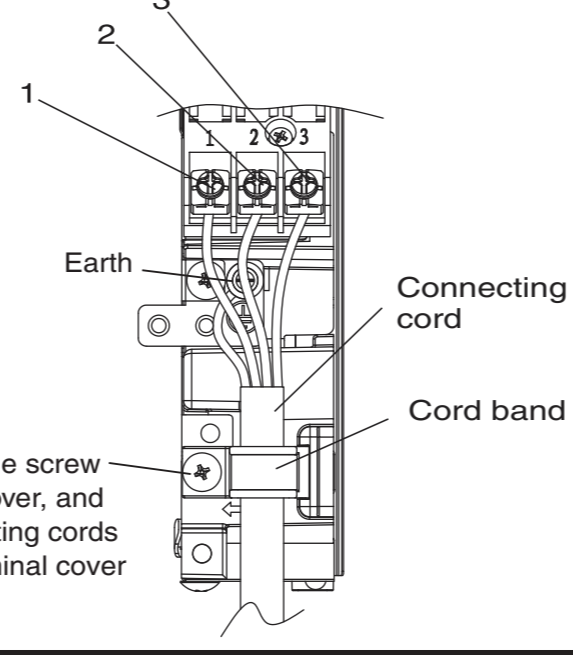


Detail of Cutting the Connecting Cord



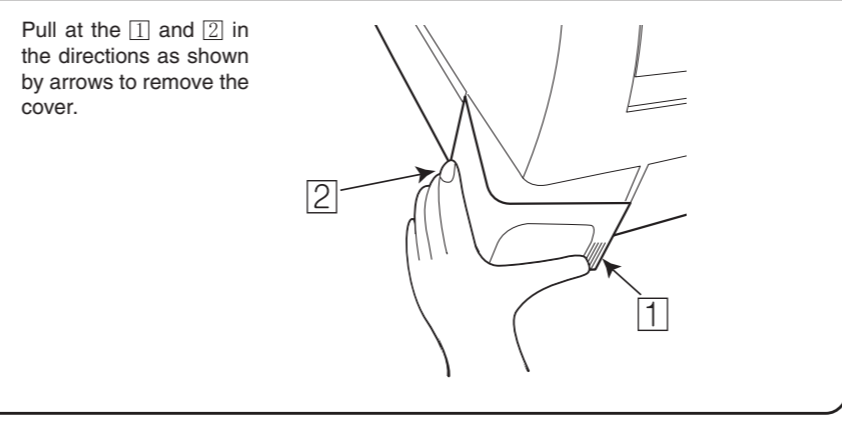
Wiring of The Indoor Unit

- For wire connection of the Indoor unit, you need to remove the front cover, the low cover under the body of the unit and terminal cover.
- Remove the cover from the terminal base and screw the cable.



After remove the screw and terminal cover, and put the connecting cords and fix the terminal cover with screw.

Method to remove the low cover



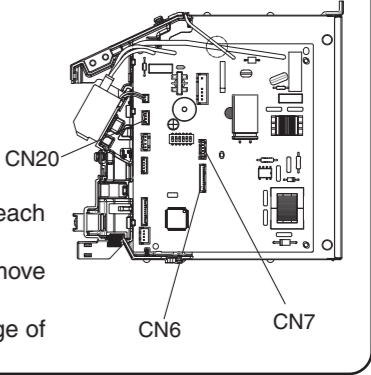
- Pull at the 1 and 2 in the directions as shown by arrows to remove the cover.

WARNING

- When the fuse (F5 or F6) has been blown out by the improper connection of power cable, it can be restored by exchanging the fuse (service part No HWRAC-50NX2 A52). Please exchange the blown-out fuse after making sure the right connection.

How to connect the optional parts

- (WIFI Adapter, H-LINK RAC Adapter, Dry contact, Wired Remote Controller)
- For cable connection to control P.W.B., you need to remove front cover and electrical box cover. Each connecting location is as below.
 - Dry contact: CN6
 - WIFI Adapter or H-LINK RAC Adapter: CN7
 - Wired Remote Controller: CN20
 - Please check and confirm manuals attached to each optional parts for more connection details.
 - You can refer to this installation manual how to remove and re-attach the front cover.
 - Please be careful not to damage lead wires by edge of plate when connecting the optional parts.

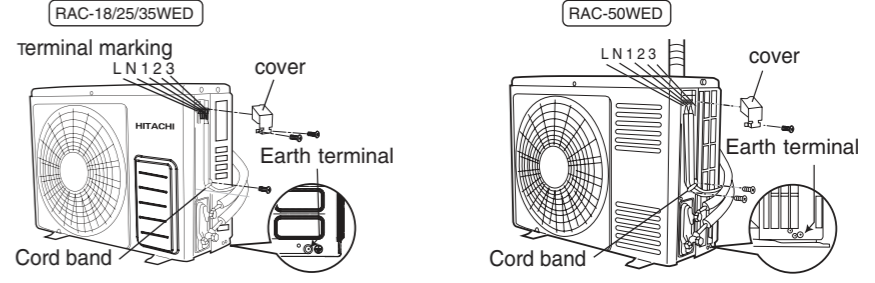


Wiring of the Outdoor Unit

- Please remove the side cover for wire connection.
- If you cannot attach the side plate due to the connection cord, please press the connecting cord in the direction to the front panel to fix it.
- Be sure that the hooks of the side cover fixed in certainly. Otherwise water leakage may occur and this causes short circuit or faults.
- The connecting cord should not touch to service valve and pipes. (it becomes high temperature in heating operation.)

Checking for the electric source and the voltage range

- Before installation, the power source must be checked and necessary wiring work must be completed. To make the wiring capacity proper, use the wire gauge list below for the wiring from house distribution fuse box to the outdoor unit in consideration of the blocked rotor current.



IMPORTANT

Fuse Capacity	
RAC-18/25/35WED	15A time delay fuse
RAC-50WED	25A time delay fuse

Wire length	Wire cross-section
up to 6m	1.5mm ²
up to 15m	2.5mm ²
up to 20m	4.0mm ²

FINAL STAGE OF INSTALLATION

Power Source And Operation Test

Power Source

WARNING

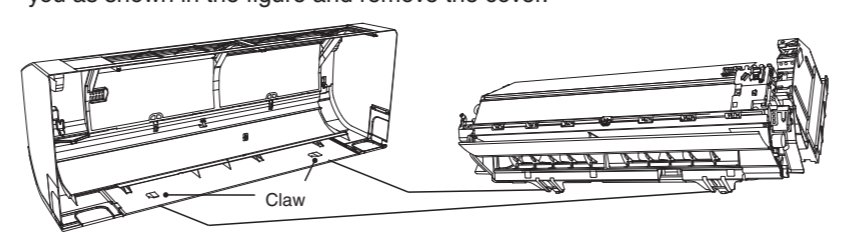
- Never remodel the power plug nor extend the long-distance cord.
- Keep additional length for the power cord and do not render the plug under external force as this may cause poor contact.
- Do not fix the power cord with U-shape nail.
- The power cable easily generates heat. Do not bring the cable together with a wire or vinyl tie.

Operation test

- Please ensure that the air conditioner is in normal operating condition during the operation test.
- Explain to your customer about the proper operation procedures as described in the operation manual.
- If the indoor unit won't operate, check the cable for correct connection.

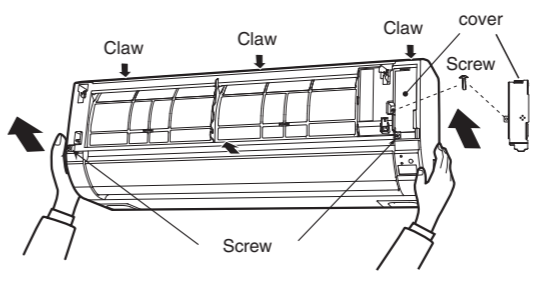
How to remove the front cover

- Remove the front panel
 - Push the end of the right-side arm outward to release the tab.
 - Move the left-side arm outward to release the left tab, and then pull the panel towards you.
- Remove the filters.
- After removing 3 screws, remove the cover of electric box, pull the center of the front cover towards you and release the claws.
- Pull the side faces (lower sections) of the front cover towards you as shown in the figure and remove the cover.



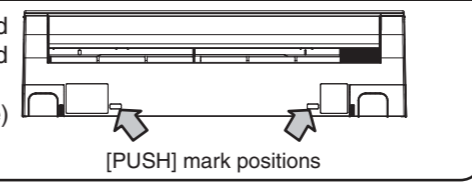
How to Attach the Front Cover

- After installing the front cover onto the unit, hook three claws at upper side of the cover securely. Then, push the center of the front cover to lock the claws.
- Assemble the cover of electric box.
- Tighten the 3 screws.
- Install the filter.
- Attaching the Front Panel
 - Insert the shaft of the left arm along the step on the unit into the hole.
 - Securely insert the shaft of the right arm along the step on the unit into the hole.
 - Make sure that the front panel is securely attached, and then close the front panel.



HOW TO REMOVE INDOOR UNIT

- Push up the [PUSH] sections at the bottom of the indoor unit and pull the bottom plate towards you. Then the claws are released from the stationary plate. (The [PUSH] sections are indicated by 2 arrows in the right figure)



Free Manuals Download Website

<http://myh66.com>

<http://usermanuals.us>

<http://www.somanuals.com>

<http://www.4manuals.cc>

<http://www.manual-lib.com>

<http://www.404manual.com>

<http://www.luxmanual.com>

<http://aubethermostatmanual.com>

Golf course search by state

<http://golfingnear.com>

Email search by domain

<http://emailbydomain.com>

Auto manuals search

<http://auto.somanuals.com>

TV manuals search

<http://tv.somanuals.com>