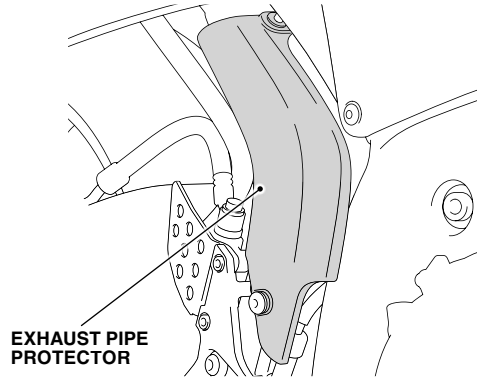
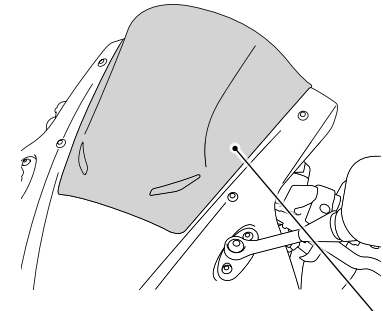


EXHAUST PIPE PROTECTOR



- Check the accessory mounts frequently and retighten if necessary.
- Replace this accessory with a new one if it is damaged.
- Do not touch damaged carbon parts with bare hands.
- Clean this accessory with a soft cloth soaked with a solution of mild detergent and water. Then wipe with a clean cloth soaked with water to clean dirt and detergent. Finally wipe dry with a soft, clean cloth.

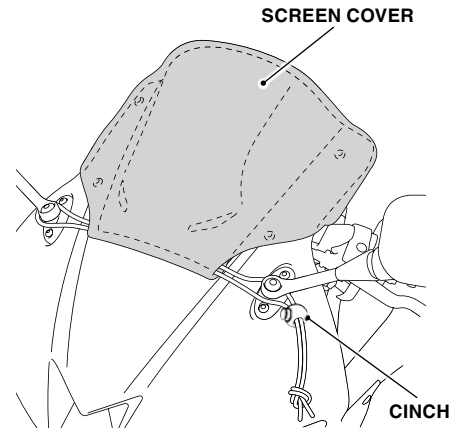
SPORT SCREEN



SPORT SCREEN

- Added accessories can affect a motorcycle's stability, performance and safe riding speed.
- Check the accessory mounts frequently and retighten if necessary.
- Handle this accessory with care. It can be damaged if it is bent excessively or is subject to strong shock or impact.
- Park the motorcycle in the shade when it is to be left unattended in the summer for an extended period of time with a body cover placed over it. Failure to observe this precaution can cause this accessory to be deformed due to heat build up under the body cover.
- Select a firm, level surface when you park the motorcycle. Also bear in mind that strong wind can cause the motorcycle to topple to the ground.
- When this accessory becomes dirty, rinse it thoroughly with cool water to remove loose dirt, then wipe with a clean cloth or sponge. Do not use a brush to clean this accessory as it may scratch the surface.
- Never use petroleum solvents such as gasoline, thinner or benzine to clean this accessory. Also do not use acid or alkaline cleaners to clean this accessory.
- Wipe up spilled brake fluid at once as it may damage the plastic surface.

SCREEN COVER

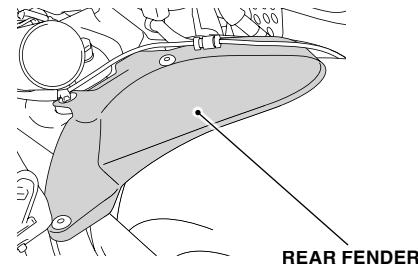


HOW TO INSTALL THE SCREEN COVER

1. Cover the screen with the screen cover.
2. Secure the cord around the mirrors as shown.
 - After installing the cord, tighten it with the cinch.
3. Removal is reverse order of the installation.

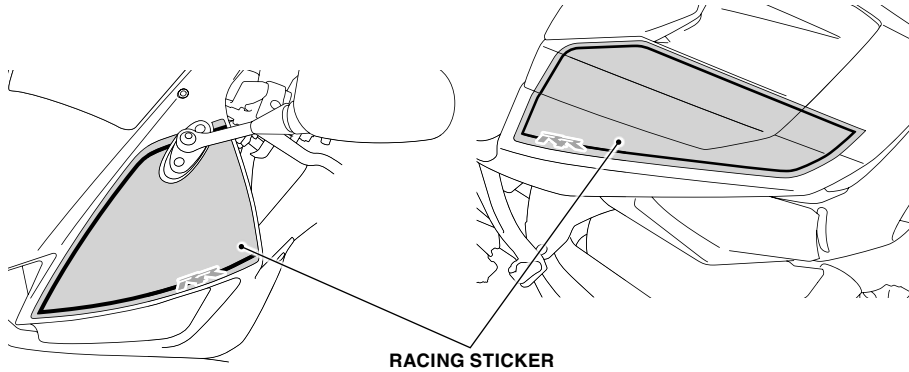
- It is recommended to install the screen cover when parking in direct sunlight to prevent reflected sunlight from heating up and damaging other parts of the motorcycle.
- When it is windy, remove the screen cover from the parked motorcycle. Strong wind may cause the cover to flap against the screen and painted surfaces of the motorcycle, damaging them.
- Do not ride the motorcycle with the screen cover installed.
- Clean the screen cover with a soft cloth soaked with a solution of mild detergent and water. Then wipe with a clean cloth soaked with water to clean dirt and detergent. Finally wipe dry with a soft, clean cloth.

REAR FENDER



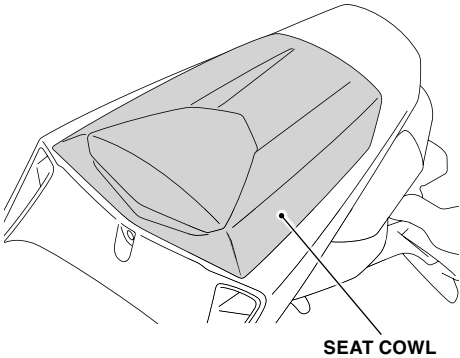
- Check the accessory mounts frequently and retighten if necessary.
- Replace this accessory with a new one if it is damaged.
- Do not touch damaged carbon parts with bare hands.
- Clean this accessory with a soft cloth soaked with a solution of mild detergent and water. Then wipe with a clean cloth soaked with water to clean dirt and detergent. Finally wipe dry with a soft, clean cloth.

RACING STICKER



- Clean this accessory with a soft cloth soaked with a solution of mild detergent and water. Then wipe with a clean cloth soaked with water to clean dirt and detergent. Finally wipe dry with a soft, clean cloth.
- Do not wash the motorcycle with a high-pressure washer, as this may peel off the sticker.

SEAT COWL



- Do not let anyone ride on the seat cowl and do not place luggage onto it.
- Check the accessory mounts frequently and retighten if necessary.
- Clean this accessory with a soft cloth soaked with a solution of mild detergent and water. Then wipe with a clean cloth soaked with water to clean dirt and detergent. Finally wipe dry with a soft, clean cloth.
- Never use petroleum solvents such as gasoline, thinner or benzene to clean this accessory. Also do not use acid or alkaline cleaners.

MEMO

Free Manuals Download Website

<http://myh66.com>

<http://usermanuals.us>

<http://www.somanuals.com>

<http://www.4manuals.cc>

<http://www.manual-lib.com>

<http://www.404manual.com>

<http://www.luxmanual.com>

<http://aubethermostatmanual.com>

Golf course search by state

<http://golfingnear.com>

Email search by domain

<http://emailbydomain.com>

Auto manuals search

<http://auto.somanuals.com>

TV manuals search

<http://tv.somanuals.com>