

# 2009 Civic Sedan GX Online Reference Owner's Manual

Refer to 2009 Civic Sedan Owner's Manual for topics not covered.

### Owner's Identification Form

<b>Introduction</b> .....	2	<b>Maintenance</b>	
<b>Instruments and Controls</b>		Maintenance Minder.....	17
Instrument Panel Indicators.....	3	Engine Oil.....	21
Gauges.....	5	Engine Coolant.....	21
Rear Seat.....	5	Fuel Tank.....	22
<b>Before Driving</b>		Tires.....	23
Fuel.....	6	Lights.....	24
Refueling Procedure.....	7	Vehicle Storage.....	25
Fuel System Components.....	11	<b>Taking Care of the Unexpected</b>	
Fuel Cutoff System.....	12	Changing a Flat Tire.....	26
Carrying Cargo.....	13	If the Fuel System Has a Leak...	28
<b>Driving</b>		Jump Starting.....	29
Starting the Engine.....	15	Fuses.....	30
Towing a Trailer.....	16	Fuse Locations.....	30
		<b>Technical Information</b>	
		Specifications.....	31
		<b>Authorized Manuals</b> .....	33

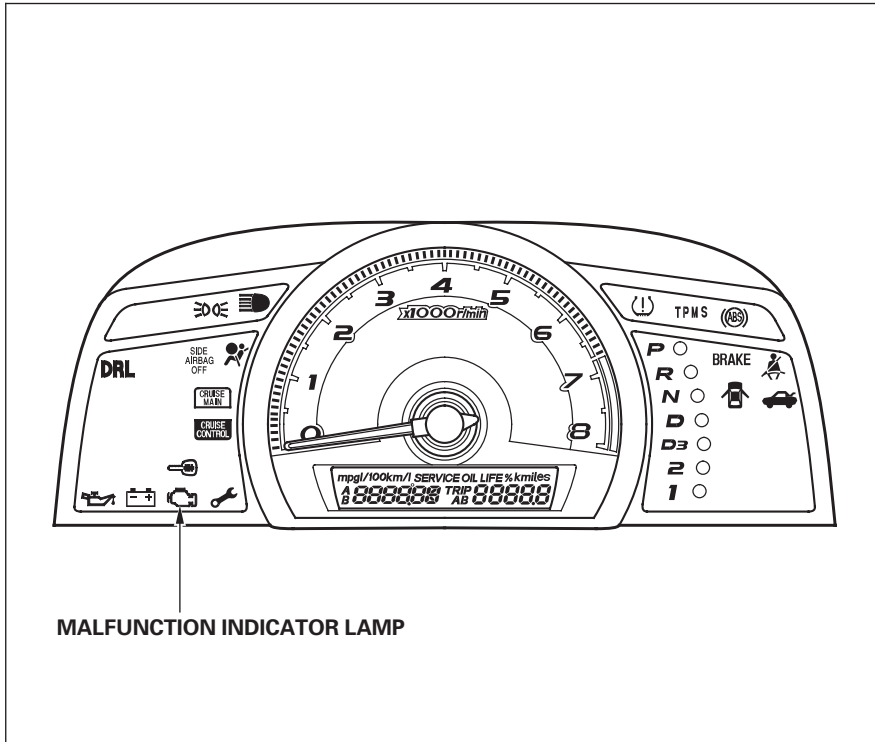
## Introduction

---

Your Civic GX runs on compressed natural gas (CNG), a highly pressurized version of the same clean-burning natural gas used in many homes.

Your Civic GX operates and performs like a gasoline-powered Civic. However, there are a few differences you should be aware of. In addition to reading the Civic Sedan owner's manual, please read this supplement carefully to understand the operation and unique features of your Civic GX.

You will find important safety information in this supplement and in the owner's manual. This information alerts you to potential hazards that could hurt you or others. Please read it carefully.



### Malfunction Indicator Lamp

This indicator comes on for a few seconds when you turn the ignition switch to the ON (II) position. If it comes on at any other time, it indicates one of the engine's emissions control systems may have a problem. For complete information, refer to the Civic Sedan owner's manual.

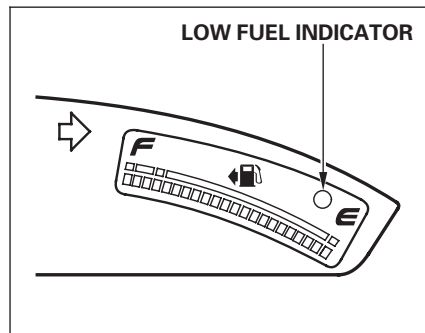
This indicator will also come on if there is a problem in the fuel system. If this happens, have the vehicle checked by an authorized Honda Civic GX dealer as soon as possible. Drive moderately until the dealer has inspected the problem. Avoid full-throttle acceleration and driving at high speed.

CONTINUED

## Instrument Panel Indicators

If you smell natural gas or hear a hissing sound, except when refueling, the fuel system may have a leak. Follow the instructions under **If the Fuel System Has a Leak** on page 28 of this supplement.

### Low Fuel Indicator



This indicator comes on for a few seconds when you turn the ignition switch to the ON (II) position. It also comes on as a reminder that you must refuel soon. The approximate driving distance remaining when this indicator comes on is:

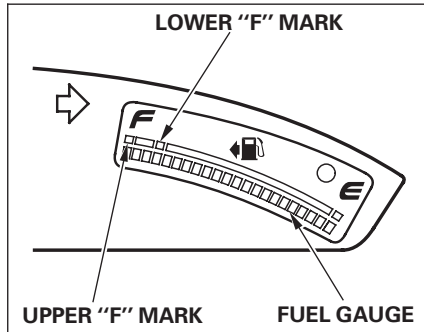
City driving – 20-25 miles  
Highway driving – 25-30 miles

As the temperature of the outside air cools, the temperature inside the

tank begins to drop, and the pressure inside the tank drops too. This means that when the outside air gets very cold [below 25°F (-4°C)], the pressure of the natural gas inside the tank goes down, and the fuel gauge may indicate that you have less fuel than what actually remains in the tank. Keep this in mind if the low fuel indicator comes on while you are driving in cold weather.

If this indicator starts blinking and the fuel level reading goes down to empty when the engine is running, it indicates a problem in the fuel system. Have the vehicle checked by an authorized Honda Civic GX dealer as soon as possible.

### Fuel Gauge



This gauge shows how much fuel you have. The quantity of fuel remaining in the tank is calculated based on the pressure and temperature of the natural gas in the fuel tank.

The lower "F" mark indicates a full tank at a fill pressure of 3,000 psi.

The upper "F" mark indicates a full tank at a fill pressure of 3,600 psi.

The gauge may show slightly more or less than the actual amount. The tank temperature, fill method, and ambient conditions may affect the pressure and temperature of the natural gas.

### Rear Seat

Unlike the standard Civic, the seat-back cannot be folded down.

## Fuel

---

Your Civic GX is designed to operate on compressed natural gas (CNG). The natural gas you use to refuel must meet NFPA-52 and SAE J1616 standards for fuel composition and quality.

If you use a fuel that does not meet these standards, you may feel a decrease in engine power and your vehicle's emissions controls may be damaged.

### Compressed Natural Gas (CNG)

The main component of compressed natural gas is methane, a highly flammable, colorless gas. While it is the same gas that is burned in everyday home appliances such as kitchen stoves and water heaters, the CNG in your vehicle is stored under high pressure (maximum 3,600 psi/24,800 kPa).

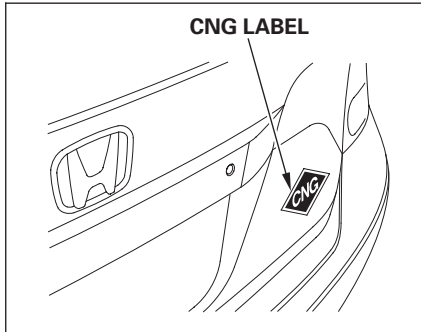
The CNG system in your vehicle, including the tank and hoses, has been designed to hold gas at this pressure. It has also been tested for safety. You should never smell gas or hear a hissing sound unless you are refueling. If you smell gas or hear a hissing sound at any other time, you need to shut down the CNG system. Follow the instructions on page 12 .

### WARNING

Compressed natural gas is flammable and highly explosive. You could be killed or seriously injured if leaking natural gas is ignited.

If you suspect a leak, have your vehicle immediately inspected and repaired by an authorized Honda Civic GX dealer.

### CNG Identification



Your vehicle has an identifying “CNG” label attached next to the rear license plate. Do not remove this label. This label is necessary for insuring your vehicle. Driving without this label may violate the laws or regulations in some states.

### Refueling Procedure

There are two methods of refueling, fast filling or slow filling.

Fast filling is normally used in fuel stations for natural gas vehicles. It takes about 3 to 5 minutes to fill up the fuel tank.

Slow filling is done with a vehicle refueling appliance. Refueling takes about 1 hour per gasoline gallon equivalent.

Always observe all safety recommendations and operating instructions on the refueling equipment.

When refueling, you should use a fuel fill nozzle that complies with ANSI/AGA NGV-1-1994 standards. Nozzles are designed according to their maximum fill pressure: P24 for 2,400 psi (pounds per square inch), P30 for 3,000 psi, and P36 for 3,600 psi.

Your vehicle’s maximum fill pressure is 3,600 psi (24,800 kPa), so you should refuel with a P36 nozzle. Using a P30 nozzle will fill the tank to the second (3,000 psi) fill mark on the fuel gauge. Using a P24 nozzle will not fill the tank completely.

During a fast fill, the natural gas is warmed by the refueling process. This causes the pressure in the tank to rise and reduces the amount of fuel you can put in.

The label shown below is attached to the fuel receptacle lid.



*CONTINUED*

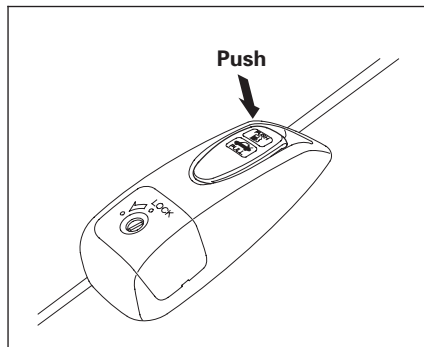
# Refueling Procedure

## NOTICE

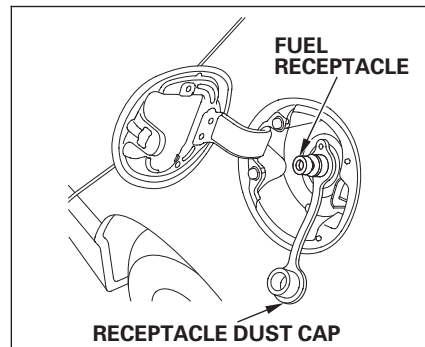
Using fast fill equipment at temperatures below 4°F (−16°C) may damage the fuel system, potentially causing a leak. Only use slow fill equipment when ambient temperatures are below 4°F (−16°C).

### Filling the Fuel Tank

The refueling equipment and procedure can vary with the refueling station. The CNG fill nozzle may not look or work like the example on the next page. The following steps explain the typical refueling procedure with fast fill equipment. With slow fill equipment, or other types of refueling equipment, follow the instructions on the equipment.

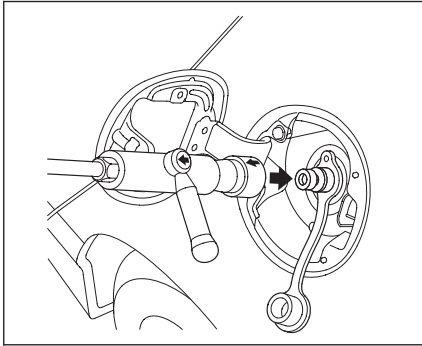


1. Park with the driver's side of the vehicle closest to the refueling station.
2. Turn the ignition switch to the LOCK (0) position, and apply the parking brake.
3. Open the fuel receptacle lid by pushing the handle on the left of the driver's seat.

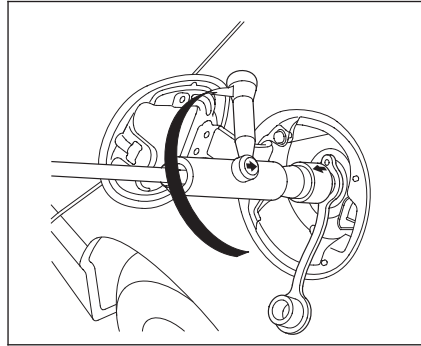


4. Remove the receptacle dust cap from the fuel receptacle. Clean off any dirt or debris around the fuel receptacle.





5. Securely connect the CNG fill nozzle to the fuel receptacle.



6. Turn the lever until the arrows on the nozzle point to each other, then follow the instructions on the refueling station to begin refueling.

While refueling, you may hear a chattering sound. This is normal.

If you hear or see fuel/vapor leaking from the nozzle-receptacle connection, stop refueling immediately. Dirt or other debris may be preventing a positive connection. Turn off the refueling station, remove the nozzle, reconnect it to the receptacle, and begin refueling again. If it continues to leak, have an authorized Honda Civic GX dealer inspect the sealing O-ring in the receptacle. It may be missing, damaged, or worn.

7. Refueling will stop automatically when the tank is full. Follow the instructions on the refueling station to turn it off.
8. Disconnect the CNG fill nozzle from the fuel receptacle by slowly turning the lever on the nozzle 180 degrees. You may hear a brief hissing sound as a small amount of gas escapes. This is normal.

*CONTINUED*

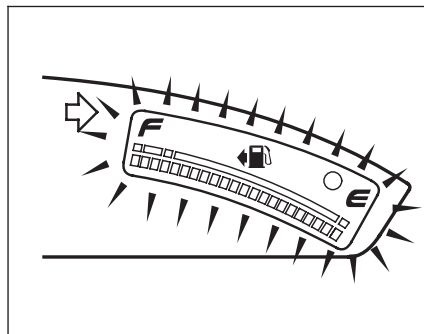
## Refueling Procedure

---

If dirt or other debris are adhering to the inside of the fuel receptacle, gas may leak out after refueling. If this happens, clean off the dirt or debris with a clean, dry rag from the CNG fill nozzle. If you need to add more fuel, do the refueling procedure again.

- Put the receptacle dust cap on the fuel receptacle securely.
- Push the fuel receptacle lid closed until it latches.

If you do not close the lid, the fuel gauge on the instrument panel will flash when you turn the ignition switch to the ON (II) position. The gauge will stop flashing when you close the lid.

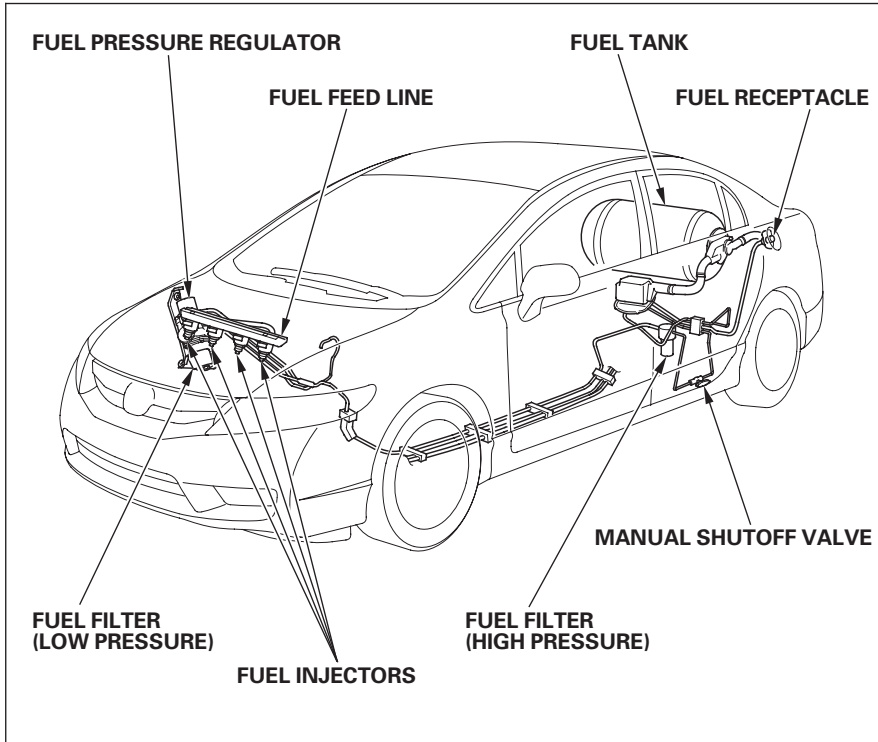


If you are not sure how to operate the refueling station, ask for assistance.

### Refueling Station Information

To obtain information about the locations of compressed natural gas (CNG) refueling stations, contact the Natural Gas Vehicle Coalition (NGVC) at (202) 824-7360. Online, use <http://afdcmap2.nrel.gov/> locator for the 49 states, or [www.cngvc.org](http://www.cngvc.org) for California.

## Fuel System Components



Fuel system components include a fuel tank located in the trunk, an integrated fuel pressure regulator, an in-tank fuel shutoff valve, high pressure fuel lines, electronically controlled multipoint fuel injectors, and other equipment.

Fuel system components in the Civic GX comply with NFPA-52 standards.

Your vehicle is equipped with genuine Honda component parts that have been designed and approved for use in a compressed natural gas vehicle. Never modify or replace any original components or parts with those specified for a gasoline-powered vehicle.

Improper parts or components can damage your vehicle's fuel system and affect your vehicle's safety and performance.

*CONTINUED*

## Fuel System Components, Fuel Cutoff System

Fuel system maintenance and repair should be done only by an authorized Honda Civic GX dealer.

### **⚠ WARNING**

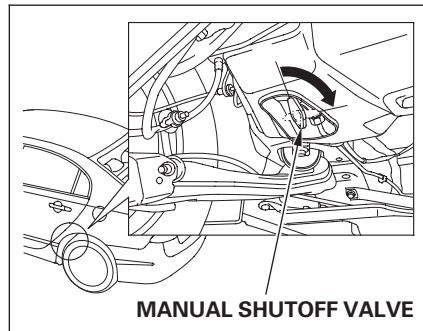
Tampering with, or improperly maintaining the high-pressure fuel system can cause a dangerous condition in which you can be seriously hurt or killed.

Never attempt to modify the fuel system, and always have fuel system maintenance performed by an authorized Honda Civic GX dealer, or a qualified NGV technician.

### **Fuel Cutoff System**

The in-tank fuel shutoff valve is controlled by the ignition switch. When the ignition switch is in the LOCK (0) or ACCESSORY (I) position, the valve is closed, shutting off fuel flow to the engine. It opens when the ignition switch is turned to the ON (II) position. This is similar to how an electric fuel pump works in a gasoline-powered vehicle.

### **Manual Shutoff Valve**



A manual shutoff valve is located underneath the vehicle, near the rear tire on the driver's side. We recommend that you locate this valve so you can find it quickly. To turn off the valve, turn the lever one-quarter turn clockwise. Turn it counterclockwise to turn the valve back on.

Turn off the valve if you ever suspect a fuel leak or are involved in an accident.

## Load Limits

The maximum load for your vehicle is 850 lbs (385 kg).

See Tire And Loading Information label attached to the driver's doorjamb.

Label Example

TIRE AND LOADING INFORMATION			
SEATING CAPACITY		TOTAL X FRONT X REAR X	
The combined weight of occupants and cargo should never exceed XXXkg or XXXXlbs			
TIRE	SIZE	COLD TIRE PRESSURE	SEE OWNER'S MANUAL FOR ADDITIONAL INFORMATION
FRONT	XXX/XXXX XXX	XXXKPA, XXPSI	
REAR	XXX/XXXX XXX	XXXKPA, XXPSI	
SPARE	XXX/XXXX XXX	XXXKPA, XXPSI	

This figure includes the total weight of all occupants, cargo, and accessories, and the tongue load if you are towing a trailer.

## ⚠ WARNING

Overloading or improper loading can affect handling and stability and cause a crash in which you can be hurt or killed.

Follow all load limits and other loading guidelines in this manual.

Steps for Determining Correct Load Limit –

- (1) Locate the statement “The combined weight of occupants and cargo should never exceed XXX kg or XXX lbs.” on your vehicle’s placard.
- (2) Determine the combined weight of the driver and passengers that will be riding in your vehicle.
- (3) Subtract the combined weight of the driver and passengers from XXX kg or XXX lbs.

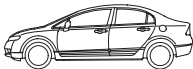








CONTINUED

## Carrying Cargo

- (4) The resulting figure equals the available amount of cargo and luggage load capacity. For example, if the “XXX” amount equals 1,400 lbs. and there will be five 150 lb. passengers in your vehicle, the amount of available cargo and luggage load capacity is 650 lbs.  
(1,400 – 750 (5 × 150) = 650 lbs.)

- (5) Determine the combined weight of luggage and cargo being loaded on the vehicle. That weight may not safely exceed the available cargo and luggage load capacity calculated in Step 4.

- (6) If your vehicle will be towing a trailer, load from your trailer will be transferred to your vehicle. Consult this manual to determine how this reduces the available cargo and luggage load capacity of your vehicle.

Example 1	 <b>Max Load (850 lbs)</b>	$\geq$	 <b>Passenger Weight (150 lbs x 2 = 300 lbs)</b>	+	 <b>Cargo Weight (550 lbs)</b>
Example 2	 <b>Max Load (850 lbs)</b>	$\geq$	 <b>Passenger Weight (150 lbs x 4 = 600 lbs)</b>	+	 <b>Cargo Weight (250 lbs)</b>
Example 3	 <b>Max Load (850 lbs)</b>	$\geq$	 <b>Passenger Weight (150 lbs x 5 = 750 lbs)</b>	+	 <b>Cargo Weight (100 lbs)</b>

In addition, the total weight of the vehicle, all occupants, accessories, cargo, and trailer tongue load must not exceed the Gross Vehicle Weight Rating (GVWR) or the Gross Axle Weight Rating (GAWR). Both are on a label on the driver's doorjamb.

The fuel tank is located in the trunk, with a partition between the fuel tank and the cargo space.

When you store small items in the trunk, secure them so they will not shift while you are driving. Loose items can fly over the partition and damage the fuel tank and fuel system components.

Do not carry large, heavy, or pointed objects in the trunk. They may damage the fuel tank.

### Starting the Engine

1. Apply the parking brake.
2. In cold weather, turn off all electrical accessories to reduce the drain on the battery.
3. Make sure the shift lever is in Park. Press on the brake pedal.
4. Without touching the accelerator pedal, turn the ignition switch to the ON (II) position. You may hear a click from the in-tank fuel shutoff valve.

Make sure the malfunction indicator lamp goes out before you turn the ignition switch to the START (III) position.

5. Turn the ignition switch to the START (III) position. Do not hold the switch in the START (III) position for more than 15 seconds at a time. If the engine does not start right away, pause for at least 10 seconds before trying again.

#### NOTICE

*The immobilizer system protects your vehicle from theft. If an improperly-coded key (or other device) is used, the engine's fuel system is disabled. For more information, see page 79 of the Civic Sedan owner's manual.*

If the outside temperature is below  $-4^{\circ}\text{F}$  ( $-20^{\circ}\text{C}$ ), the engine may be harder to start or may not start until temperatures increase. In this case, use the starting procedure for cold weather at high altitude described next.

CONTINUED

## Starting the Engine, Towing a Trailer

---

If you regularly drive your vehicle in very cold weather [below  $-4^{\circ}\text{F}$  ( $-20^{\circ}\text{C}$ )], consider having an engine block heater installed. It should greatly improve starting in very cold weather.

Also, when driving in very cold weather, make sure that the 12 V battery is fully charged either by driving several miles each day or by using a 12 V charger to fully charge the battery.

### **Starting in Cold Weather at High Altitude (Above 5,000 feet/1,600 meters)**

An engine is harder to start in cold weather. The thinner air found at high altitude above 5,000 feet (1,600 meters) adds to the problem. The unique design of a CNG engine makes it even more difficult or impossible to start if temperatures drop below  $4^{\circ}\text{F}$  ( $-16^{\circ}\text{C}$ ).

Use the following procedure:

1. Turn off all electrical accessories to reduce the drain on the battery.
2. Make sure the malfunction indicator lamp goes out before you turn the ignition switch to the START (III) position.
3. Push the accelerator pedal halfway to the floor and hold it there while starting the engine. Do not hold the ignition switch in the START (III) position for more than 15 seconds. When the engine starts, release the accelerator pedal gradually as the engine speeds up and smooths out.
4. If the engine fails to start in step 3, push the accelerator pedal to the floor and hold it there while you try to start the engine for no more than 15 seconds. If the engine does not start, return to step 3.

### **Towing a Trailer**

Your vehicle is not designed to tow a trailer; attempting to do so can void your warranties.



Your vehicle displays engine oil life and maintenance service items on the information display to show you when you should have your dealer do engine oil replacement and indicated maintenance service.

Refer to the important safety precautions and instructions in the Civic Sedan owner's manual.

The fuel system is under high pressure (maximum 3,600 psi/24,800 kPa). It has no user-serviceable parts, and its components must not be modified. Whenever fuel system maintenance is required, take your vehicle to an authorized Honda Civic GX dealer, or a qualified NGV technician.

### **WARNING**

Tampering with, or improperly maintaining the high-pressure fuel system can cause a dangerous condition in which you can be seriously hurt or killed.

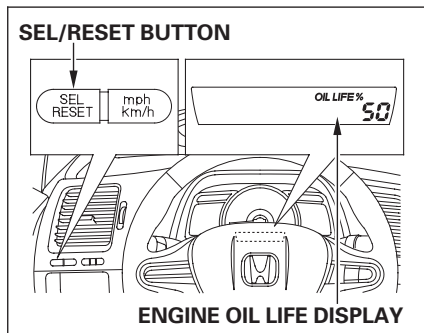
Never attempt to modify the fuel system, and always have fuel system maintenance performed by an authorized Honda Civic GX dealer, or a qualified NGV technician.

The maintenance minder assumes you will use your vehicle as normal transportation for passengers and their possessions. You should also follow these recommendations:

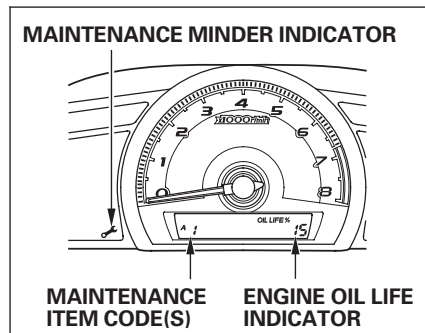
- Avoid exceeding your vehicle's load limit. This puts excess stress on the engine, brakes, and many other parts of your vehicle. The load limit is shown on the label on the driver's doorjamb.
- Operate your vehicle on reasonable roads within the legal speed limit.
- Drive your vehicle regularly over a distance of several miles (kilometers).

# Maintenance Minder

## Engine Oil Life Display

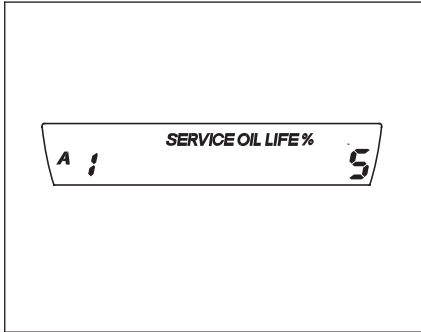


To see the current engine oil life, turn the ignition switch to the ON (II) position, and press the SEL/RESET button repeatedly until the engine oil life display appears.



If the remaining engine oil life is 15 to 6 percent, you will see the engine oil life indicator every time you turn the ignition switch to the ON (II) position. The maintenance minder indicator will also come on, and the maintenance item code(s) for other scheduled maintenance items needing service will be displayed next to the engine oil life indicator.

The maintenance item code or codes indicate the main and sub items required at the time of the oil change.



When the remaining engine oil life is 5 to 1 percent, you will see a “SERVICE OIL LIFE” message along with the same maintenance item code(s), every time you turn the ignition switch to the ON (II) position.

For information on maintenance codes, see page 20, or refer to the Civic Sedan owner’s manual.

### Important Maintenance Precautions

If you have the required service done but do not reset the display, or reset the display without doing the service, the system will not show the proper maintenance intervals. This can lead to serious mechanical problems because you will no longer have an accurate record of when maintenance is needed.

Your authorized Honda dealer knows your vehicle best and can provide competent, efficient service.

For information on resetting the maintenance minder, refer to the Civic Sedan owner’s manual.

However, service at a dealer is not mandatory to keep your warranties in effect. Maintenance may be done by any qualified service facility or person who is skilled in this type of automotive service. Make sure to have the service facility or person reset the display as previously described. Keep all receipts as proof of completion, and have the person who does the work fill out your Honda Service History booklet. Check your warranty booklet for more information.

We recommend using Honda parts and fluids whenever you have maintenance done. These are manufactured to the same high quality standards as the original components, so you can be confident of their performance and durability.

# Maintenance Minder

Symbol	Maintenance Main Items
A	<ul style="list-style-type: none"> <li>● Replace engine oil<sup>1</sup></li> </ul>
B	<ul style="list-style-type: none"> <li>● Replace engine oil<sup>1</sup> and oil filter</li> <li>● Replace fuel filter element (low pressure)</li> <li>● Drain fuel filter (high pressure)</li> <li>● Inspect front and rear brakes</li> <li>● Check parking brake adjustment</li> <li>● Inspect these items:               <ul style="list-style-type: none"> <li>● Tie rod ends, steering gear box, and boots</li> <li>● Suspension components</li> <li>● Driveshaft boots</li> <li>● Brake hoses and lines (including ABS)</li> <li>● All fluid levels and condition of fluids</li> <li>● Exhaust system<sup>#</sup></li> <li>● Fuel lines and connections<sup>#</sup></li> </ul> </li> </ul>

Symbol	Maintenance Sub Items
1	<ul style="list-style-type: none"> <li>● Rotate tires</li> </ul>
2	<ul style="list-style-type: none"> <li>● Replace air cleaner element If you drive in dusty conditions, replace every 15,000 miles (24,000 km).</li> <li>● Replace dust and pollen filter If you drive primarily in urban areas that have high concentrations of soot in the air from industry and from diesel-powered vehicles, replace every 15,000 miles (24,000 km).</li> <li>● Replace fuel filter element (high pressure)</li> <li>● Inspect drive belt</li> <li>● Inspect valve clearance</li> <li>● Inspect fuel tank<sup>2</sup></li> </ul>
3	<ul style="list-style-type: none"> <li>● Replace transmission fluid</li> </ul>
4	<ul style="list-style-type: none"> <li>● Replace spark plugs</li> </ul>
5	<ul style="list-style-type: none"> <li>● Replace engine coolant</li> </ul>

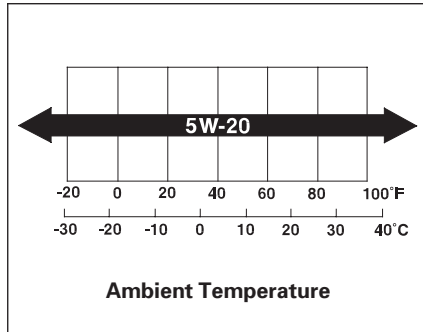
- 1: If the message "SERVICE" does not appear more than 12 months after the display is reset, change the engine oil every year.
- 2: – If sub-item 2 does not appear more than 36 months after the display is reset, inspect the fuel tank every 3 years.  
– See Fuel Tank on page 22 for inspection and replacement information.  
The fuel tank should be replaced 15 years after it was manufactured.

# : See information on maintenance and emissions warranty in the second column on page 296 of the Civic Sedan owner's manual.

- NOTE:
- Independent of the maintenance messages in the information display, replace the brake fluid every 3 years.
  - Inspect idle speed every 160,000 miles (256,000 km).
  - Adjust the valves during services A, B, 1, 2, or 3 if they are noisy.

## Engine Oil

The SAE number tells you the oil's viscosity or weight. Select the oil for your vehicle according to this chart.



5W-20 oil is formulated for year-round protection of your vehicle, to improve cold weather starting, and to help your engine use less fuel.

Refer to the Civic Sedan owner's manual for engine oil checking, adding, and changing procedures.

Engine oil change capacity (including filter):  
3.9 US qt (3.7 ℓ)

## Engine Coolant

Refer to the Civic Sedan owner's manual for engine coolant checking and adding procedures.

Engine coolant change capacity:  
1.40 US gal (5.3 ℓ)

## Fuel Tank

The fuel tank meets the safety standards of NGV-2/NFPA-52/DOT NHTSA FMVSS 304. The fuel tank should be inspected every 3 years after its production date. Have a qualified Honda Civic GX dealer or a qualified NGV technician inspect the fuel tank for damage or leaks.

You should also have the fuel tank inspected after a collision.

The fuel tank should be replaced 15 years after it was manufactured. The expiration date of the fuel tank is on a label on the fuel tank and on a warning label in the engine compartment.

Have a qualified Honda Civic GX dealer or a qualified NGV technician replace the fuel tank. Do not reuse the old fuel tank.

See instructions on fuel container for inspection and service life.

### HOOD

**⚠ WARNING**

THIS VEHICLE IS FUELED BY COMPRESSED NATURAL GAS STORED AT HIGH PRESSURE. DO NOT ATTEMPT TO SERVICE FUEL SYSTEM WITHOUT PROPER SYSTEM DEPRESSURIZATION. TO AVOID RISK OF INJURY, THIS VEHICLE SHOULD ONLY BE SERVICED BY A QUALIFIED TECHNICIAN. CNG TANK PRESSURE RELIEF DEVICE WILL VENT AT 103°C (217°F). DO NOT PARK OR SERVICE VEHICLE NEAR ANY SOURCE OF EXCESSIVE HEAT OR OPEN FLAME. DO NOT USE PAINT OVEN FOR ANY PAINT REPAIRS.

SYSTEM SERVICE PRESSURE : 24.8MPA (3600PSIG)  
BUILT BY : HONDA OF AMERICA MFG., INC.  
CNG TANK EXPIRATION DATE : 01/2013  
TOTAL WATER VOLUME OF CNG TANK : 100 (L)

CNG TANK EXPIRATION DATE

### FUEL TANK

CNG TANK EXPIRATION DATE


<p>THIS CONTAINER SHOULD BE VISUALLY INSPECTED AFTER A MOTOR VEHICLE ACCIDENT OR FIRE AND AT LEAST EVERY 36 MONTHS OR 36,000 MILES, WHICHEVER COMES FIRST, FOR DAMAGE AND DETERIORATION.</p>	<p><b>NGVFUEL TANKS</b></p>  <p>3600PSIG/70" F ALT847-0004 P/N 1273335 MFG DATE 01-98 SERV TEMP -40° F TO 180° F NGV2-00 DOT 49 CFR 571.304 TYPE 3 CONTAINER</p>	<p><b>CNG ONLY - DO NOT USE AFTER 01/2013</b></p> <p>IF THERE IS A QUESTION ABOUT THE PROPER USE, INSTALLATION, OR MAINTENANCE OF THIS CONTAINER, CONTACT: STRUCTURAL COMPOSITES INDUSTRIES 325 ENTERPRISE PL., POMONA, CA 91768 TEL: (909) 594-7777.</p> <p>SERVICE PRESSURE 24,822 kPa. (3600PSIG). MANUFACTURED IN 01/1998, DOT FMVSS 304 FOR USE ONLY WITH THE CONTAINER MANUFACTURER'S APPROVED PRESSURE RELIEF DEVICES VALVES.</p>
--	---	--

## FUEL TANK

## DANGER

**THIS CYLINDER CONTAINS FLAMMABLE NATURAL GAS UNDER EXTREMELY HIGH PRESSURE. DEATH OR SERIOUS INJURY CAN RESULT FROM IMPROPER INSTALLATION, LACK OF INSPECTION AND MAINTENANCE, OVER-FILLING, PUNCTURING OR DAMAGE.**

- This cylinder is intended for use on this vehicle to store compressed natural gas meter fuel. Do not use for any other purpose.
- Do not attempt to remove this cylinder from the vehicle, or to service, vent, or maintain this cylinder or any attached parts unless you are specifically trained to do so. The cylinder may contain residual gas which poses a fire or explosion risk. Improper venting procedures will cause a static electrical discharge which could ignite venting gas. Removal, servicing, venting and disposal should only be done by a qualified technician.
- The maximum service pressure for this cylinder is 3,600 psi compensated to 70° F (21° C). However, in no case shall the maximum filling pressure exceed 4,500 psi.
- Do not assume you can always smell leaking gas. If you smell gas or for any reason suspect the cylinder or any part of the fuel system is leaking, do not park the vehicle in an enclosed area such as a garage. Immediately have the vehicle serviced by a qualified technician.
- If this vehicle is involved in a collision, fire, or if physical damage is observed on the cylinder or its attachments, do not park the vehicle in an enclosed area such as a garage. Immediately have the vehicle serviced by a qualified technician. Do not fill the cylinder until the vehicle has been serviced.
- Do not expose cylinder to temperatures in excess of 180 degrees Fahrenheit.
- Do not expose cylinder to corrosive fluids such as acids and bases.
- This cylinder must be installed and serviced by qualified technicians in accordance with National Fire Protection Association Standard 52 for Compressed Natural Gas Vehicular Fuel Systems and all applicable federal, state and local regulations. Tested and approved valve and safety relief device(s) are required.
- See other warnings permanently affixed to this vehicle.
- Do not remove or paint over this label.
- This cylinder must be inspected by a qualified technician every three years.



NGVFUEL TANKS

1271488 4/05

TAYLOR-WHARTON  
VEHICLE EQUIPMENT DIVISION

## Tires

The recommended cold tire pressure for most normal driving conditions is shown below.

Tire Size	Cold Tire Pressure for Normal Driving
P195/65R15 89H	Front/Rear: 30 psi (210 kPa , 2.1 kgf/cm <sup>2</sup> )

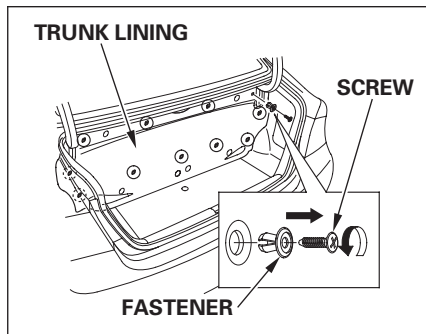
The compact spare tire pressure is:  
60 psi (420 kPa , 4.2 kgf/cm<sup>2</sup>)

These pressures are also given on the tire information label on the driver's doorjamb.

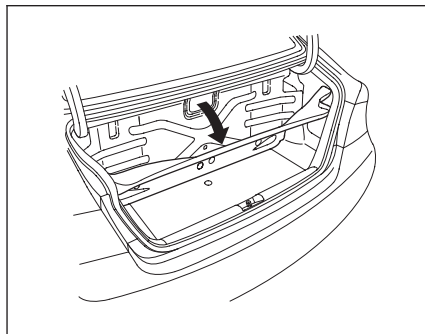
**NOTICE:** For other important tire information, refer to the Civic Sedan owner's manual.

# Lights

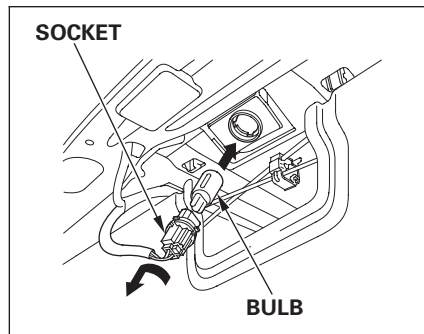
## Replacing a High-mount Brake Light Bulb



1. Open the trunk.
2. Remove the screw from the center of each trunk lining fastener, then remove the fasteners.



3. Pull the upper edge of the trunk lining down.



4. Remove the socket from the light assembly by turning it one-quarter turn counterclockwise.
5. Remove the burned out bulb from the socket by pulling it straight out of its socket.
6. Push the new bulb straight into the socket until it bottoms.



7. Reinstall the socket. Turn it clockwise until it locks. Make sure the new bulb is working.
8. Reinstall the trunk lining.
9. Insert the trunk lining fasteners into their holes, then reinstall the fastener center screws.
10. Reinstall the trunk floor.

### Vehicle Storage

If you need to park your vehicle for an extended period, refer to **Vehicle Storage** in the Civic Sedan owner's manual for information. In addition to these procedures, you should do the following with your Civic GX:

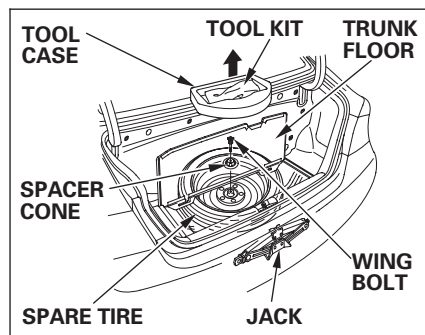
- Turn the manual shutoff valve to the OFF position (see **Manual Shutoff Valve** on page 12 in this supplement).
- If you store your vehicle indoors, it should be parked in a well ventilated area. We recommend the installation of a natural gas leak detector.

After storing your vehicle for an extended period, and before starting the engine for the first time, open the trunk and leave it open for several minutes. This allows any natural gas vapors that may have collected in the trunk to dissipate.

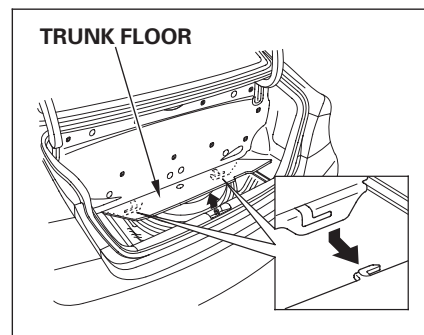
## Changing a Flat Tire

To change a flat tire, follow the instructions in the Civic Sedan owner's manual. To remove the spare tire from the trunk and to store the flat tire, follow the instructions on this and the next page.

### Removing the Spare Tire



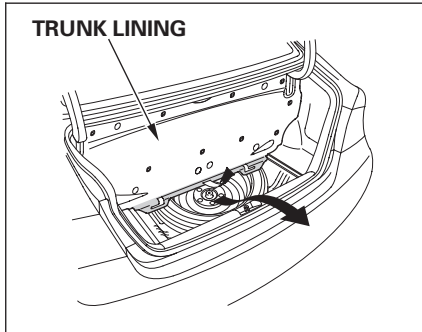
1. Open the trunk.



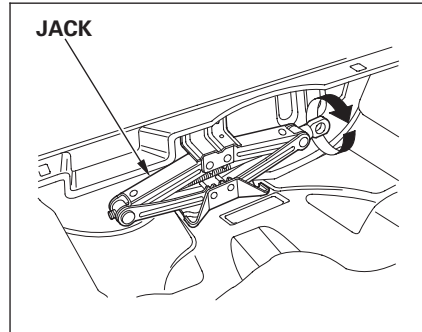
2. Remove the trunk floor.

3. Take the tool case out of the spare tire.

4. Unscrew the wing bolt and remove the spacer cone.

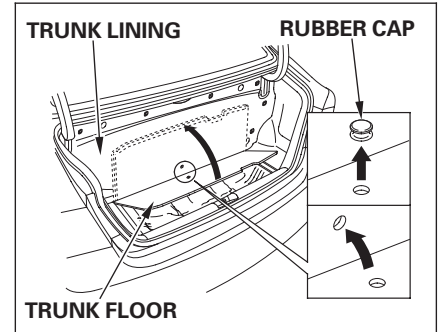


4. Bend the lower part of the trunk lining upward and take the spare tire out of its well.



5. Turn the jack's end counterclockwise to loosen it, then remove the jack.

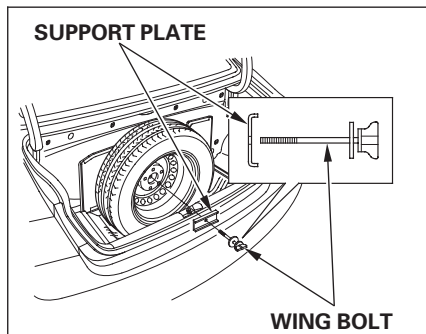
## Storing a Flat Tire



1. Raise the trunk floor and the lower part of the trunk lining as shown. Remove the rubber cap from the hole in the trunk floor, then align the hole in the trunk lining with the hole in the trunk floor.

CONTINUED

## Changing a Flat Tire, If the Fuel System Has a Leak



2. Place the flat tire straight up in the trunk as shown, with the outside of the wheel facing forward.
3. Remove the support plate and the wing bolt from the tool kit. Put the plate on the wing bolt.

4. To secure the tire, insert the wing bolt through the hole in the center of the wheel and the trunk lining, then tighten the bolt.
5. Store the spacer cone and wing bolt for the spare tire in the tool kit.

### **If the Fuel System Has a Leak**

You may detect a slight natural gas odor for a few moments after refueling. This is normal. You should not be able to smell natural gas at any other time. If you do, or if you hear a hissing sound, your vehicle's fuel system may have a leak.

## If the Fuel System Has a Leak, Jump Starting

If you smell natural gas other than when refueling, or if you hear a hissing sound, follow these directions:

1. Park your vehicle in a well-ventilated area, and apply the parking brake.  
Keep heat, sparks, and flame away.  
Open all the windows and the trunk lid for ventilation.
2. Turn the ignition switch to the LOCK (0) position.
3. Turn the manual shutoff valve to the OFF position to turn off the natural gas (see **Manual Shutoff Valve** on page 12 in this supplement).

You cannot continue driving. Your vehicle should be towed to an authorized Honda Civic GX dealer (see **Emergency Towing** in the Civic Sedan owner's manual).

### **⚠ WARNING**

Compressed natural gas is flammable and highly explosive. You could be killed or seriously injured if leaking natural gas is ignited.

If you suspect a leak, have your vehicle immediately inspected and repaired by an authorized Honda Civic GX dealer.

### **Jump Starting**

Do not jump start your vehicle if you suspect a natural gas leak. If you smell natural gas or hear a hissing sound, the fuel system may have a leak that needs to be repaired by an authorized technician.

If you suspect a leak, turn the manual shutoff valve to the OFF position (see **Manual Shutoff Valve** on page 12 in this supplement), and have your vehicle towed to an authorized Honda Civic GX dealer (see **Emergency Towing** in the Civic Sedan owner's manual).

If the fuel system is not leaking or damaged, you can jump start the vehicle. Refer to the Civic Sedan owner's manual for the jump starting procedure.

# Fuses, Fuse Locations

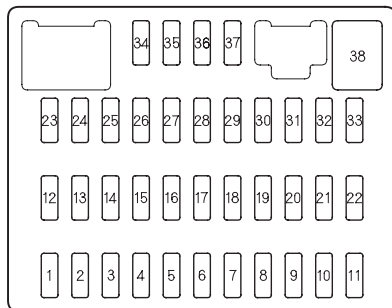
## Fuses

To check and replace fuses, follow the instructions in the Civic Sedan owner's manual.

Since your vehicle's interior fuses are different from the Civic Sedan fuses, determine from the chart or the diagram on the fuse label, which fuse or fuses control that device.

## Fuse Locations

### INTERIOR FUSE BOX



No.	Amps.	Circuits Protected
1	7.5 A	Power Window
2	15 A	Fuel Pump
3	10 A	Alternator
4	7.5 A	ABS/VSA Unit
5	15 A	Injection
6	—	Not Used
7	7.5 A	TPMS
8	—	Not Used
9	7.5 A	ODS
10	7.5 A	METER
11	10 A	SRS
12	10 A	Right Headlight High Beam
13	10 A	Left Headlight High Beam
14	7.5 A	Small Light (Interior)
15	7.5 A	Small Light (Exterior)
16	10 A	Right Headlight Low Beam

No.	Amps.	Circuits Protected
17	10 A	Left Headlight Low Beam
18	20 A	Headlight High Beam Main
19	15 A	Small Lights (Main)
20	—	Not Used
21	20 A	Headlight Low Beam Main
22	—	Not Used
23	—	Not Used
24	—	Not Used
25	20 A	Door Lock
26	20 A	Driver's Power Window
27	—	Not Used
28	—	Not Used
29	15 A	Accessory
30	20 A	Front Passenger's Power Window
31	—	Not Used
32	20 A	Rear Right Power Window
33	20 A	Rear Left Power Window
34	—	Not Used
35	7.5 A	Accessory Radio
36	10 A	HAC
37	7.5 A	Daytime Running Light
38	30 A	Front Wiper

## Dimensions

Length	177.3 in (4,504 mm)	
Width	69.0 in (1,752 mm)	
Height	56.5 in (1,435 mm)	
Wheelbase	106.3 in (2,700 mm)	
Track	Front	59.0 in (1,499 mm)
	Rear	60.2 in (1,528 mm)

## Weights

Gross vehicle weight rating	See the certification label attached to the driver's doorjamb.
-----------------------------	--

## Seating Capacities

Total	5
Front	2
Rear	3

## Engine

Type	Water cooled 4-stroke SOHC i-VTEC 4-cylinder compressed natural gas engine
Bore x Stroke	3.19 x 3.44 in (81.0 x 87.3 mm)
Displacement	110 cu-in (1,799 cm <sup>3</sup> )
Compression ratio	12.5 : 1
Spark plugs	NGK: IFR7F-8DS

## Capacities

Fuel tank service pressure	3,600 psi (24,800 kPa) at 70°F (21°C)	
Fuel tank capacity	3,000 psi: 7.2 gasoline gallons equivalent (GGE) 3,600 psi: 8.0 gasoline gallons equivalent	
Engine coolant	Change* <sup>1</sup>	1.40 US gal (5.3 ℓ)
	Total	1.75 US gal (6.7 ℓ)
Engine oil	Change* <sup>2</sup>	
	Including filter	3.9 US qt (3.7 ℓ)
	Without filter	3.7 US qt (3.5 ℓ)
Total	4.7 US qt (4.5 ℓ)	
Automatic transmission fluid	Change	2.5 US qt (2.4 ℓ)
	Total	6.2 US qt (5.9 ℓ)
Windshield washer reservoir	2.6 US qt (2.5 ℓ)	

\* 1 : Including the coolant in the reserve tank and that remaining in the engine.

Reserve tank capacity: 0.11 US gal (0.4 ℓ)

\* 2 : Excluding the oil remaining in the engine

# Specifications

## Air Conditioning

Refrigerant type	HFC-134a (R-134a)
Charge quantity	14.1 – 15.9 oz (400 – 450 g)
Lubricant oil type	SP-10

## Lights

Headlights	High	12 V – 60 W (HB3)
	Low	12 V – 51 W (HB4)
Front turn signal/side marker/ Parking lights		12 V – 24/2 CP (Amber)
Rear turn signal lights		12 V – 21 W (Amber)
Stop/Taillights		12 V – 21/5 W
Rear side marker lights		12 V – 2 CP
Back-up lights		12 V – 21 W
Taillights		12 V – 3 CP
High-mount brake light		12 V – 21 W
License plate lights		12 V – 5 W
Ceiling light		12 V – 8 W
Spotlights		12 V – 8 W
Trunk light		12 V – 5 W

## Battery

Capacity	12 V – 36Ah/5HR
	12 V – 45Ah/20HR

## Fuses

Interior	See page 30 or the fuse label attached to the driver's lower corner panel.
Under-hood	See <b>Fuses</b> in the Civic Sedan owner's manual.

## Alignment

Toe-in	Front	0.00 in (0.0 mm)
	Rear	0.08 in (2.0 mm)
Camber	Front	0°
	Rear	– 1°30'
Caster	Front	7°00'

## Tires

Size	Front/Rear	P195/65R15 89H
	Spare	T125/70D15 95M
Pressure	Front/Rear	30 psi (210 kPa , 2.1 kgf/cm <sup>2</sup> )
	Spare	60 psi (420 kPa , 4.2 kgf/cm <sup>2</sup> )



### Purchasing Factory Authorized Manuals

The publications shown below can be purchased from Helm Incorporated. You can order by phone or online:

- Call Helm Inc. at 1-800-782-4356 (credit card orders only)
- Go online at [www.helminc.com](http://www.helminc.com)

If you are interested in other years or models, contact Helm Inc. at 1-800-782-4356.

Publication Form Number	Form Description
61SNA08	2006-2009 Honda Civic 2/4 Door Service Manual
61SNA09	2006-2009 Civic GX 4 Door Service Manual Supplement
61SNA08EL	2006-2009 Honda Civic 2/4 Door Electrical Troubleshooting Manual
61SNA30	2006-2009 Model Series Honda Civic 2/4 Door Body Repair Manual
31SNF930	2009 Honda Civic GX 4 Door Owner's Manual Supplement
31SNA630	2009 Honda Civic 4 Door Owner's Manual
31SNAM30	2009 Honda Civic Honda Service History
31SNAQ30	2009 Honda Civic 4 Door Quick Start Guide
HON-R	Order Form for Previous Years- Indicate Year and Model Desired

## Authorized Manuals

---

### **Service Manual:**

Covers maintenance and recommended procedures for repair to engine and chassis components. It is written for the journeyman mechanic, but it is simple enough for most mechanically inclined owners to understand.

### **Electrical Troubleshooting Manual:**

Complements the Service Manual by providing in-depth troubleshooting information for each electrical circuit in your vehicle.

### **Body Repair Manual:**

Describes the procedures involved in the replacement of damaged body parts.

## Owner's Identification

---

OWNER \_\_\_\_\_  
\_\_\_\_\_

ADDRESS \_\_\_\_\_

STREET

\_\_\_\_\_

CITY

STATE/PROVINCE

ZIP CODE/  
POSTAL CODE

V. I. N. \_\_\_\_\_

DELIVERY DATE \_\_\_\_\_

(Date sold to original retail purchaser)

DEALER NAME \_\_\_\_\_ DEALER NO. \_\_\_\_\_

ADDRESS \_\_\_\_\_

STREET

\_\_\_\_\_

CITY

STATE/PROVINCE

ZIP CODE/  
POSTAL CODE

OWNER'S SIGNATURE \_\_\_\_\_

DEALER'S SIGNATURE \_\_\_\_\_

This owner's manual should be considered a permanent part of the vehicle and should remain with the vehicle when it is sold.

The information and specifications included in this publication were in effect at the time of approval for printing. Honda Motor Co., Ltd. reserves the right, however, to discontinue or change specifications or design at any time without notice and without incurring any obligation whatsoever.

## Free Manuals Download Website

<http://myh66.com>

<http://usermanuals.us>

<http://www.somanuals.com>

<http://www.4manuals.cc>

<http://www.manual-lib.com>

<http://www.404manual.com>

<http://www.luxmanual.com>

<http://aubethermostatmanual.com>

Golf course search by state

<http://golfingnear.com>

Email search by domain

<http://emailbydomain.com>

Auto manuals search

<http://auto.somanuals.com>

TV manuals search

<http://tv.somanuals.com>