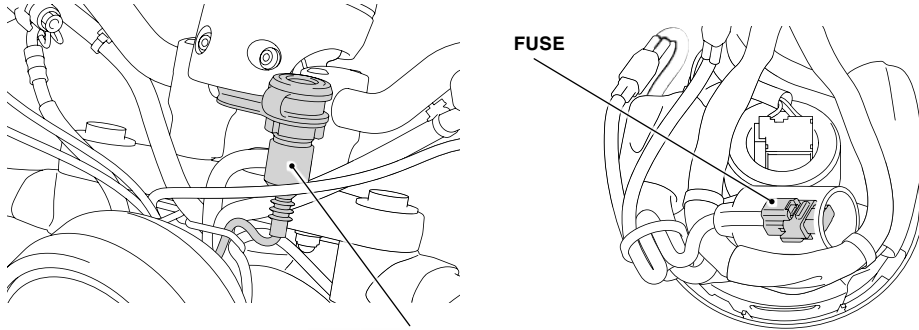


### ACCESSORY SOCKET

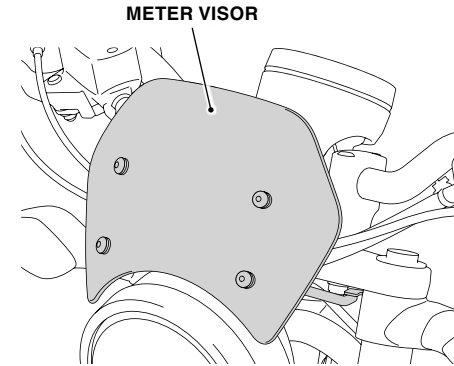
<FUSE LOCATION - INSIDE THE HEADLIGHT CASE>



ACCESSORY SOCKET

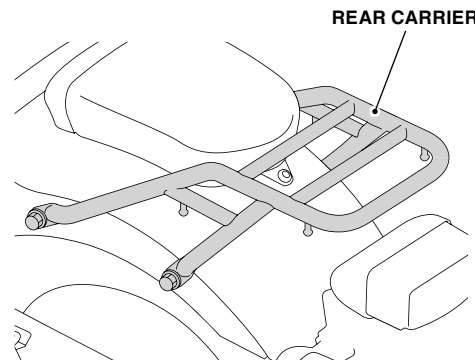
- Use only a 1 amp replacement fuse for this accessory. Do not use any other sized or rated fuse for replacement.
  - Fuse: 1A
- The maximum power rating of connected accessories is 12W (12V, 1A).
- Use accessories with the engine running to avoid discharging the battery.
- Do not use a cigarette lighter, as this can cause a malfunction.
- Cover the socket with the cap when the accessory socket is not used to prevent entry of foreign objects.
- Carefully secure any connected devices, as vibrations may cause them to shift unexpectedly.
- Check the accessory mounts frequently and retighten if necessary.
- Clean this accessory with a soft cloth soaked with a solution of mild detergent and water. Then wipe with a clean cloth soaked with water to clean dirt and detergent. Finally wipe dry with a soft, clean cloth.

### METER VISOR



- Handle this accessory with care. It can be damaged when it is bent excessively or is subject to strong shock or impact.
- Park the motorcycle in the shade when it is to be left unattended in the summer for an extended period of time with a body cover placed over it.
- Failure to observe this precaution can cause this accessory to be deformed due to heat built up under the body cover.
- Bear in mind that strong wind can cause the motorcycle to topple over. Select a firm, level surface when you park the motorcycle.
- Check the accessory mounts frequently and retighten if necessary.
- When this accessory becomes dirty, rinse it thoroughly with cool water to remove loose dirt, then wipe with a clean cloth or sponge. Do not use a brush to clean this accessory as it may scratch the surface.
- Never use petroleum solvents such as gasoline, thinner or benzine to clean this accessory. Also do not use acid or alkaline cleaners.
- Wipe up spilled brake fluid at once as it may damage the plastic surface.

### REAR CARRIER



- The weight of the cargo must not exceed the following maximum load capacity:

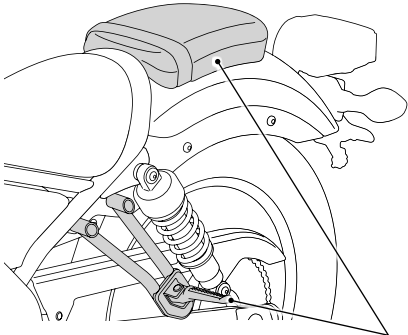
**3.0 kg (6.6 lb)**

- Check the accessory mounts frequently and retighten if necessary.
- Clean this accessory with a soft cloth soaked with a solution of mild detergent and water. Then wipe with a clean cloth soaked with water to clean dirt and detergent. Finally wipe dry with a soft, clean cloth.

# CMX500/A, CMX300/A

## Genuine Accessory User's Guide

### PASSENGER SEAT



PASSENGER SEAT

#### ⚠ WARNING

Carrying a passenger without a properly designed and installed passenger seat and foot pegs can result in serious injury or death to you and/or the passenger.

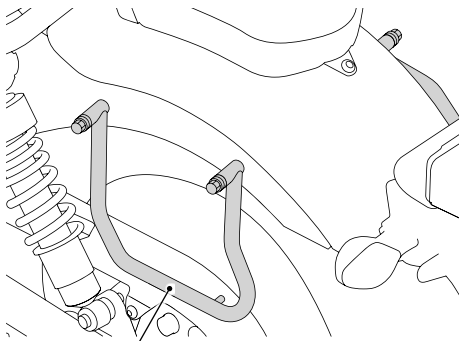
Never carry a passenger without first installing a passenger seat (with grab strap) and foot pegs specifically designed for this motorcycle. Further, never carry more than one passenger.

- Do not carry a passenger unless a passenger seat with grab strap and foot pegs have been securely installed on your motorcycle.
- The maximum weight capacity must not exceed the following:

**146 kg (322 lb)**

- Check the accessory mounts frequently and retighten if necessary.
- Clean this accessory with a soft cloth soaked with a solution of mild detergent and water. Then wipe with a clean cloth soaked with water to clean dirt and detergent. Finally wipe dry with a soft, clean cloth.

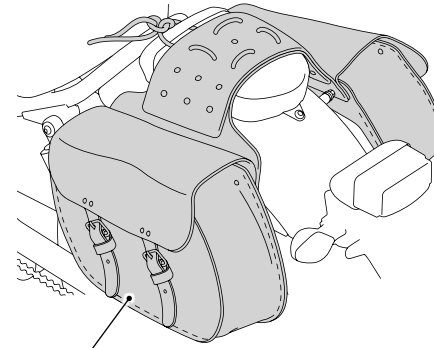
### SADDLEBAG SUPPORT



SADDLEBAG SUPPORT

- Check the accessory mounts frequently and retighten if necessary.
- Clean this accessory with a soft cloth soaked with a solution of mild detergent and water. Then wipe with a clean cloth soaked with water to clean dirt and detergent. Finally wipe dry with a soft, clean cloth.

### THROW-OVER SADDLEBAG



THROW-OVER SADDLEBAG

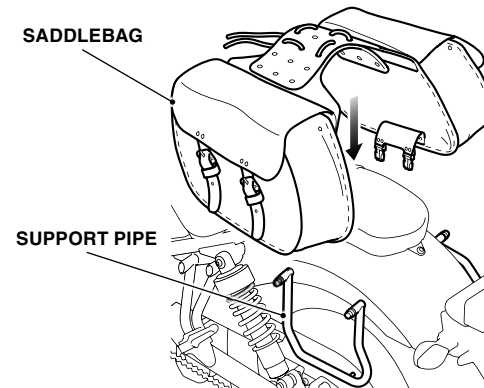
- The weight of the cargo must not exceed the following maximum load capacity:

<b>Right saddlebag</b>	<b>3.0 kg (6.6 lb)</b>
<b>Left saddlebag</b>	<b>3.0 kg (6.6 lb)</b>

- Load weight equally on both sides to minimize imbalance. If the weight is not loaded equally on both sides or if it exceeds the maximum load capacity of this accessory, handling will be compromised, which could result in a crash and serious injury.
- Check the accessory mounts frequently.
- Clean this accessory with a soft cloth soaked with a solution of mild detergent and water or a cleaner.
- If this accessory becomes completely wet (water has soaked through the material), remove this accessory and allow it to air dry at room temperature. Never dry this accessory in a dryer, in front of a heater, or near a fireplace.

### HOW TO INSTALL THE THROW-OVER SADDLEBAG

1. Install the throw-over saddlebag as shown.



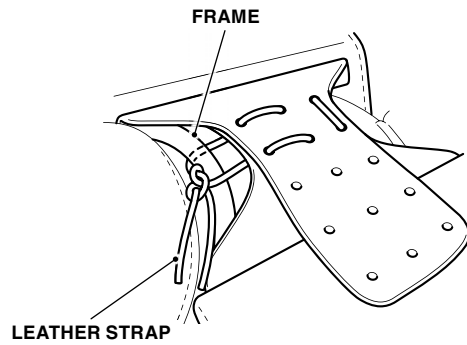
# CMX500/A, CMX300/A

## Genuine Accessory User's Guide

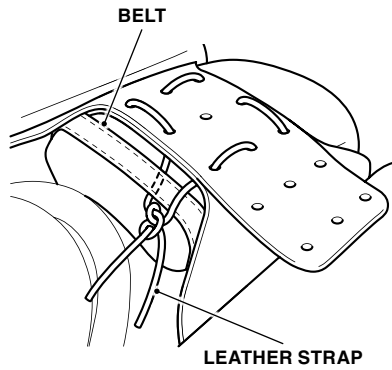
### MEMO

<FOR SOLO RIDER>

2. Route the leather strap through the belt and tie it as shown.

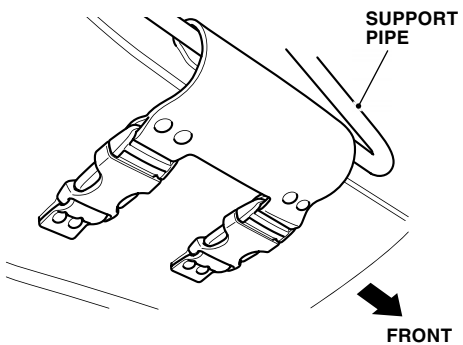


<WITH ACESORY PASSENGER SEAT>



<BOTTOM VIEW>

3. Secure the under side of the saddlebags to the support pipes as shown.
  - Repeat on the right side.



## Free Manuals Download Website

<http://myh66.com>

<http://usermanuals.us>

<http://www.somanuals.com>

<http://www.4manuals.cc>

<http://www.manual-lib.com>

<http://www.404manual.com>

<http://www.luxmanual.com>

<http://aubethermostatmanual.com>

Golf course search by state

<http://golfingnear.com>

Email search by domain

<http://emailbydomain.com>

Auto manuals search

<http://auto.somanuals.com>

TV manuals search

<http://tv.somanuals.com>