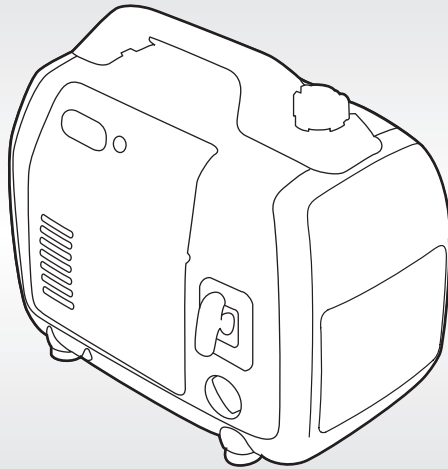


**HONDA**

# Owner's Manual

## **GENERATOR**

### **EB2200i**



*See page 80 for Initial Use Instructions.*

## **WARNING**

The engine exhaust from this product contains chemicals known to the State of California to cause cancer, birth defects or other reproductive harm.

### **California Proposition 65**

This product contains or emits chemicals known to the state of California to cause cancer, birth defects or other reproductive harm

## **WARNING**

Exhaust contains poisonous carbon monoxide gas that can build up to dangerous levels in closed areas.

Breathing carbon monoxide can cause unconsciousness or death.

Never run the generator in a closed, or even partly closed area where people may be present.

Keep this owner's manual handy, so that you can refer to it any time. This owner's manual is considered a permanent part of the generator and should remain with the generator if resold.

The information and specifications included in this publication were in effect at the time of approval for printing. Honda Motor Co., Ltd. reserves the right, however, to discontinue or change specifications or design at any time without notice and without incurring any obligation whatsoever.

# INTRODUCTION

Congratulations on your selection of a Honda generator. We are certain you will be pleased with your purchase of one of the finest generators on the market.

We want to help you get the best results from your new generator and to operate it safely. This manual contains the information on how to do that; please read it carefully.

As you read this manual, you will find information preceded by a **NOTICE** symbol. That information is intended to help you avoid damage to your generator, other property, or the environment.

We suggest you read the *Distributor's Limited Warranty* (see page 70) to fully understand its coverage and your responsibilities of ownership.

When your generator needs scheduled maintenance, keep in mind that your Honda Power Equipment servicing dealership personnel are specially trained in servicing Honda generators and are supported by the parts and service divisions of American Honda. Your Honda servicing dealer is dedicated to your satisfaction and will be pleased to answer your questions and concerns.

Best Wishes,  
Honda Motor Co., Ltd.

---


## A FEW WORDS ABOUT SAFETY

Your safety and the safety of others are very important. And using this generator safely is an important responsibility.

To help you make informed decisions about safety, we have provided operating procedures and other information on labels and in this manual. This information alerts you to potential hazards that could hurt you or others.

Of course, it is not practical or possible to warn you about all the hazards associated with operating or maintaining a generator. You must use your own good judgment.

You will find important safety information in a variety of forms, including:

- **Safety Labels** — on the generator.
- **Safety Messages** — preceded by a safety alert symbol  and one of three signal words, DANGER, WARNING, or CAUTION.

These signal words mean:

 **DANGER**

You **WILL** be **KILLED** or **SERIOUSLY HURT** if you don't follow instructions.

 **WARNING**

You **CAN** be **KILLED** or **SERIOUSLY HURT** if you don't follow instructions.

 **CAUTION**

You **CAN** be **HURT** if you don't follow instructions.

- **Safety Headings** — such as *IMPORTANT SAFETY INFORMATION*.
- **Safety Section** — such as *GENERATOR SAFETY*.
- **Instructions** — how to use this generator correctly and safely.

This entire book is filled with important safety information — please read it carefully.

# CONTENTS

<b>GENERATOR SAFETY</b> .....	<b>6</b>
<b>IMPORTANT SAFETY INFORMATION</b> .....	<b>6</b>
Operator Responsibility.....	6
Carbon Monoxide Hazards.....	6
Electric Shock Hazards .....	7
Fire and Burn Hazards .....	7
Refuel With Care .....	7
<b>SAFETY LABEL LOCATIONS</b> .....	<b>8</b>
<b>CONTROLS &amp; FEATURES</b> .....	<b>10</b>
<b>COMPONENT &amp; CONTROL LOCATIONS</b> .....	<b>10</b>
<b>CONTROLS</b> .....	<b>12</b>
Engine Switch .....	12
Starter Grip.....	12
Fuel Filler Cap Vent Lever .....	13
Choke Lever.....	13
Eco Throttle <sup>®</sup> Switch .....	14
Ground Fault Circuit Interrupter (GFCI) Receptacle .....	15
<b>FEATURES</b> .....	<b>16</b>
Ground Terminal.....	16
Output Indicator .....	17
Overload Alarm (Indicator) .....	18
Oil Alert <sup>®</sup> Indicator.....	18
LED Light Patterns .....	19
<b>BEFORE OPERATION</b> .....	<b>20</b>
<b>ARE YOU READY TO GET STARTED?</b> .....	<b>20</b>
Knowledge.....	20
<b>IS YOUR GENERATOR READY TO GO?</b> .....	<b>20</b>
Check the Engine .....	21
Check the GFCI.....	21

# CONTENTS

---

<b>OPERATION</b> .....	<b>22</b>
SAFE OPERATING PRECAUTIONS .....	22
STARTING THE ENGINE .....	23
STOPPING THE ENGINE .....	26
GFCI OPERATION CHECK .....	27
AC OPERATION .....	30
AC Applications.....	32
ECO THROTTLE® SYSTEM .....	33
STANDBY POWER .....	34
Connections to a Building's Electrical System .....	34
System Ground .....	34
Special Requirements.....	34
<b>SERVICING YOUR GENERATOR</b> .....	<b>35</b>
THE IMPORTANCE OF MAINTENANCE .....	35
MAINTENANCE SAFETY .....	36
Safety Precautions.....	36
MAINTENANCE SCHEDULE .....	37
REFUELING .....	38
FUEL RECOMMENDATIONS .....	39
ENGINE OIL LEVEL CHECK .....	40
ENGINE OIL CHANGE .....	41
ENGINE OIL RECOMMENDATIONS .....	42
AIR CLEANER SERVICE .....	43
MAIN AND OUTER FILTERS CLEANING .....	45
SPARK PLUG SERVICE .....	46
SPARK ARRESTER SERVICE .....	48
<b>STORAGE</b> .....	<b>50</b>
STORAGE PREPARATION .....	50
Cleaning.....	50
Fuel.....	50
Engine Oil .....	54
Engine Cylinder .....	54
STORAGE PRECAUTIONS .....	55
REMOVAL FROM STORAGE .....	55

<b>TRANSPORTING</b> .....	<b>56</b>
<b>TAKING CARE OF UNEXPECTED PROBLEMS</b> .....	<b>57</b>
ENGINE WILL NOT START .....	57
ENGINE LACKS POWER .....	58
NO POWER AT THE AC RECEPTACLES .....	59
<b>TECHNICAL INFORMATION</b> .....	<b>60</b>
Serial Number Location .....	60
Carburetor Modification for High Altitude Operation .....	61
Emission Control System Information .....	62
Air Index .....	65
Specifications .....	66
Wiring Diagram .....	67
<b>CONSUMER INFORMATION</b> .....	<b>68</b>
Dealer Locator Information .....	68
Honda Publications .....	68
Customer Service Information .....	69
Distributor's Limited Warranty .....	70
Honda Parts, Accessories, and Apparel .....	73
Emission Control System Warranty .....	75
<b>INITIAL USE INSTRUCTIONS</b> .....	<b>80</b>
ENGINE OIL .....	80
FUEL .....	81
BEFORE OPERATION .....	83
REGISTRATION .....	83
<b>INDEX</b> .....	<b>84</b>
<b>QUICK REFERENCE INFORMATION</b> .....	<b>Inside back cover</b>

# GENERATOR SAFETY

## IMPORTANT SAFETY INFORMATION

Honda generators are designed for use with electrical equipment that has suitable power requirements. Other uses can result in injury to the operator or damage to the generator and other property.

Most injuries or property damage can be prevented if you follow all of the instructions in this manual and on the generator. The most common hazards are discussed below, along with the best way to protect yourself and others.

### Operator Responsibility

- Know how to stop the generator quickly in case of emergency.
- Understand the use of all generator controls, output receptacles, and connections.
- Be sure that anyone who operates the generator receives proper instruction. Do not let children operate the generator without parental supervision.

### Carbon Monoxide Hazards

A generator's exhaust contains toxic carbon monoxide, which you cannot see or smell. Breathing carbon monoxide can **KILL YOU IN MINUTES**. To avoid carbon monoxide poisoning, follow these instructions when operating a generator:

- Only run a generator **OUTSIDE**, far away from windows, doors, and vents.
- Never operate a generator inside a house, garage, basement, crawl space, or any enclosed or partially enclosed space.
- Never operate a generator near open doors or windows.
- Get fresh air and seek medical attention immediately if you suspect you have inhaled carbon monoxide.

Early symptoms of carbon monoxide exposure include headache, fatigue, shortness of breath, nausea, and dizziness. Continued exposure to carbon monoxide can cause loss of muscular coordination, loss of consciousness, and then death.

To alert you to potentially dangerous levels of carbon monoxide coming from a generator operating outside or from other sources, install battery operated carbon monoxide alarms or plug-in carbon monoxide alarms with battery back-up on every level of the home and outside sleeping areas, according to the manufacturer's instructions.



## Electric Shock Hazards

- The generator produces enough electric power to cause a serious shock or electrocution if misused.
- Using a generator or electrical appliance in wet conditions, such as rain or snow, or near a pool or sprinkler system, or when your hands are wet, could result in electrocution. Keep the generator dry.
- If the generator is stored outdoors, unprotected from the weather, check the Ground Fault Circuit Interrupter (GFCI) receptacle, and all other electrical components on the control panel before each use. Moisture or ice can cause a malfunction or short circuit in electrical components that could result in electrocution.

## Fire and Burn Hazards

- The exhaust system gets hot enough to ignite some materials.
  - Keep the generator at least 3 feet (1 meter) away from buildings and other equipment during operation.
  - Do not enclose the generator in any structure.
  - Keep flammable materials away from the generator.
- The muffler becomes very hot during operation and remains hot for a while after stopping the engine. Be careful not to touch the muffler while it is hot. Let the engine cool before storing the generator indoors.

## Refuel With Care

Gasoline is extremely flammable, and gasoline vapor can explode. Do not refuel during operation.

Allow the engine to cool if it has been in operation.

Refuel only outdoors in a well-ventilated area and on a level surface.

Never smoke near gasoline, and keep other flames and sparks away.

Do not overfill the fuel tank.

Make sure that any spilled fuel has been wiped up and cleaned before starting the engine.

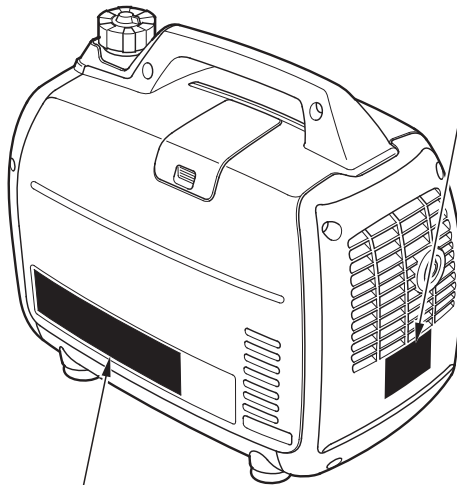
Always store gasoline in an approved container.






# GENERATOR SAFETY

## SAFETY LABEL LOCATIONS




These labels warn you of potential hazards that can cause serious injury. Read them carefully. If a label comes off or becomes hard to read, contact your Honda servicing dealer for a replacement.

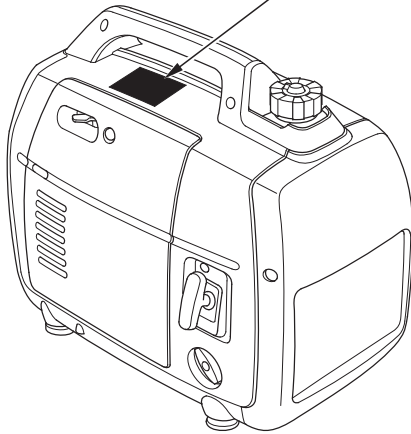
<b>⚠ WARNING</b>	
<p><b>Operation of This Equipment May Create Sparks That Can Start Fires Around Dry Vegetation. A Spark Arrestor May be Required. The Operator Should Contact Local Fire Agencies For Laws or Regulations Relating to Fire Prevention Requirements.</b></p> <p><small>Per California Public Resources Code 4442.6</small></p>	
<b>⚠ CAUTION</b>	
	<p><b>A hot exhaust system can cause serious burns.</b></p> <p>■ <b>Avoid contact if the engine has been running.</b></p>



<b>⚠ WARNING</b>		<b>⚠ WARNING</b>	
	<p>Gasoline is highly flammable and explosive. You could be burned or seriously injured if the gasoline is ignited.</p> <ul style="list-style-type: none"> <li>■ Before refueling, stop the engine and keep heat, sparks, and flame away.</li> <li>■ Handle fuel only outdoors.</li> <li>■ Do not fill the fuel tank above the upper limit line.</li> <li>■ Wipe up spills immediately.</li> <li>■ After operation, turn the engine switch and fuel tank cap lever to the "off" position prevent fuel leakage.</li> </ul>		<p>Improper connections to a building can allow electrical current to backfeed into utility lines, creating an electrocution hazard.</p> <ul style="list-style-type: none"> <li>■ Connections to a building must isolate generator power from utility power and comply with all applicable laws and electrical codes.</li> </ul>
	<p>Exhaust contains poisonous carbon monoxide gas that can build up to dangerous levels in closed areas. Breathing carbon monoxide can cause unconsciousness or death.</p> <ul style="list-style-type: none"> <li>■ Never run the generator in a closed, or even partly closed area where people may be present.</li> </ul>		<p>The generator is a potential source of electrical shock if not kept dry or cover is removed.</p> <ul style="list-style-type: none"> <li>■ Do not expose the generator to moisture, rain or snow.</li> <li>■ Do not operate the generator with wet hands.</li> <li>■ Do not remove covers when engine is running.</li> </ul>
			<p>Read owner's manual carefully before operation.</p>

# GENERATOR SAFETY

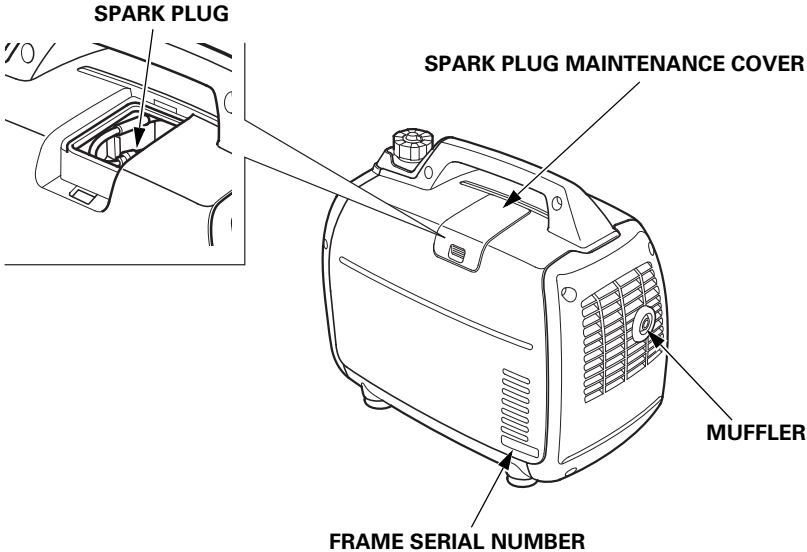
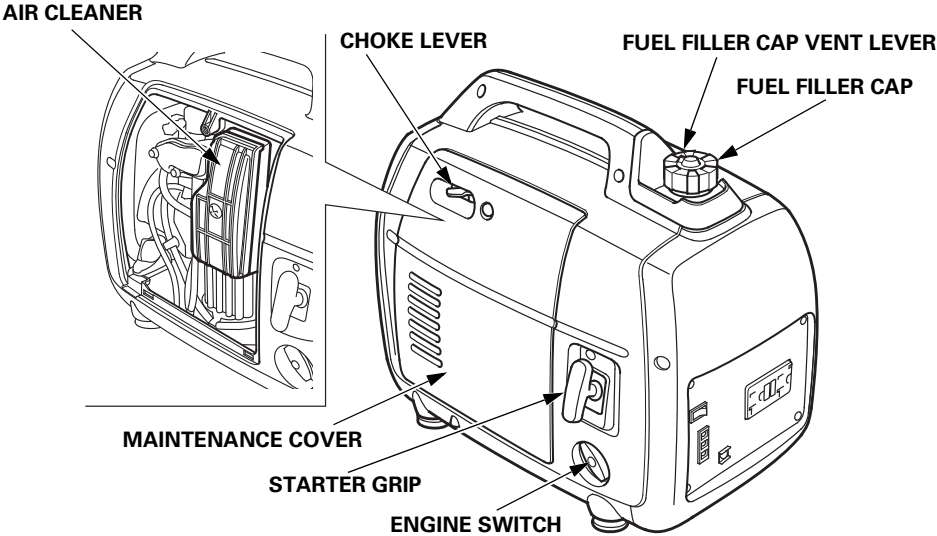
<b>⚠ DANGER</b>	
<b>Using a generator indoors CAN KILL YOU IN MINUTES. Generator exhaust contains carbon monoxide. This is a poison you cannot see or smell.</b>	
	
<b>NEVER use inside a home or garage, EVEN IF doors and windows are open.</b>	
	<b>Only use OUTSIDE and far away from windows, doors, and vents.</b>



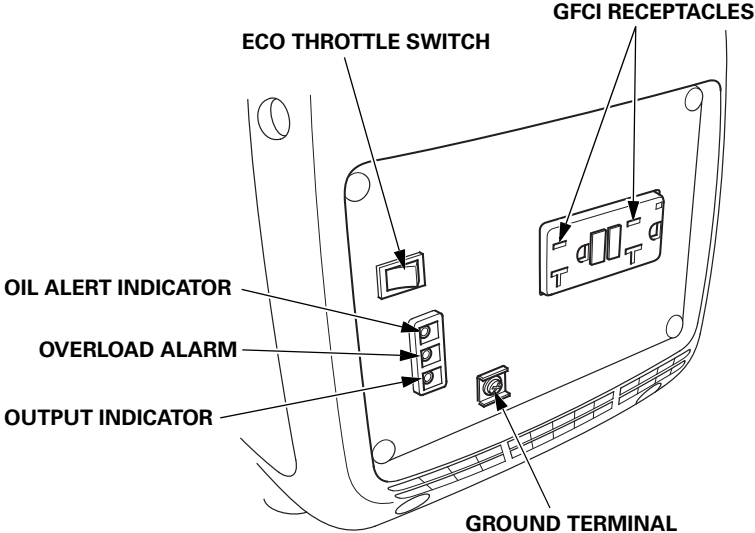
# CONTROLS & FEATURES

## COMPONENT & CONTROL LOCATIONS

Use the illustrations on these pages to locate and identify the most frequently used controls.



# CONTROLS & FEATURES



# CONTROLS & FEATURES

## CONTROLS

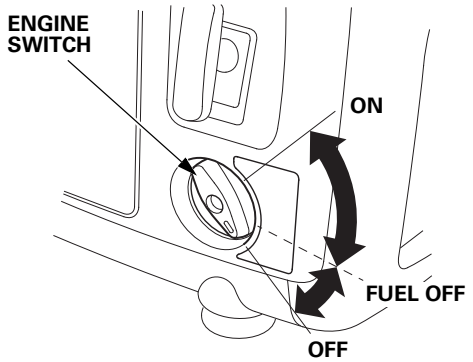
### Engine Switch

The engine switch controls the ignition system and the fuel valve.

**OFF** – Stops the engine and closes the fuel valve.

**FUEL OFF** – Keeps the ignition system ON, and closes only the fuel valve (see page 26).

**ON** – Running position; opens the fuel valve and allows the engine to be started.

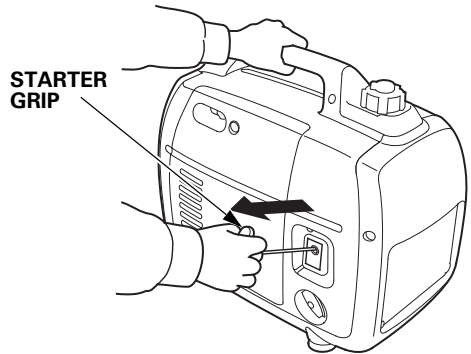


### Starter Grip

Pulling the starter grip operates the recoil starter to start the engine.

#### NOTICE

*Do not allow the starter grip to snap back against the generator. Return it gently to prevent damage to the starter.*

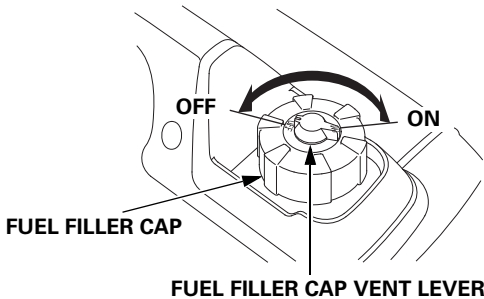


## Fuel Filler Cap Vent Lever

The fuel filler cap is provided with a fuel filler cap vent lever to seal the fuel tank.

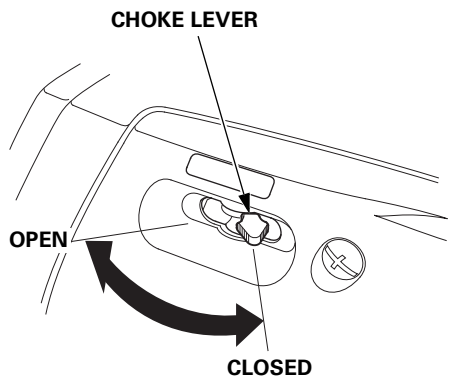
The fuel filler cap vent lever must be in the ON position for the engine to run.

When the engine is not in use, leave the fuel filler cap vent lever in the OFF position to reduce the possibility of fuel leakage. Allow the engine to cool before turning the fuel filler cap vent lever to the OFF position.



## Choke Lever

The choke is used to provide proper starting mixture when the engine is cold. It can be opened and closed by operating the choke lever manually. Move the choke lever to the CLOSED position to enrich the mixture for cold starting.



# CONTROLS & FEATURES

---

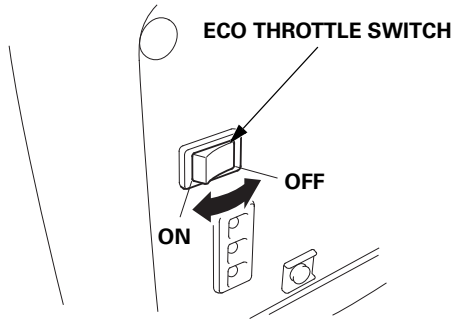
## Eco Throttle<sup>®</sup> Switch

The Eco Throttle<sup>®</sup> system automatically reduces engine speed when loads are turned off or disconnected. When appliances are turned on or reconnected, the engine returns to the proper speed to power the electrical load.

If high electrical loads are connected simultaneously, turn the Eco Throttle switch to the OFF position to reduce voltage changes.

**ON:** Recommended to minimize fuel consumption and further reduce noise levels when less than a full load is applied to the generator.

**OFF:** The Eco Throttle system does not operate.





## Ground Fault Circuit Interrupter (GFCI) Receptacle

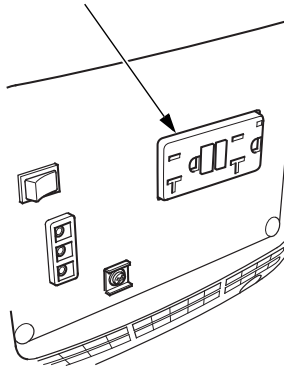
The 120 V 20 A duplex receptacle is protected by a Ground Fault Circuit Interrupter (GFCI) for protection against the shock hazard of ground fault currents.

An example of ground fault current is the current that would flow through a person who is using an appliance with faulty insulation and, at the same time, is in contact with an electrical ground such as a plumbing fixture, wet floor, or earth. The GFCI will protect against current flowing through that person.

The GFCI will not protect against short circuit or overloads.

GFCIs can be expected to interrupt power supply if there are ground faults or stray current imposed on the wiring by other electrical devices, wiring, or equipment. Due to the risk of a power interruption, this generator is not recommended for powering medical or life support equipment.

**GFCI RECEPTACLE  
(120 V 20 A DUPLEX RECEPTACLE)**



# CONTROLS & FEATURES

---

## FEATURES

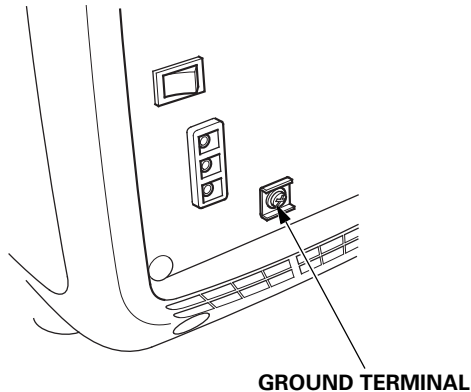
### Ground Terminal

The generator ground terminal is connected to the frame of the generator, the metal non-current-carrying parts of the generator, and the ground terminals of each receptacle.

Before using the ground terminal, consult a qualified electrician, electrical inspector, or local agency having jurisdiction for local codes or ordinances that apply to the intended use of the generator.

### NEUTRAL BONDED TO FRAME:

There is a permanent conductor between the generator (stator winding) and the frame.

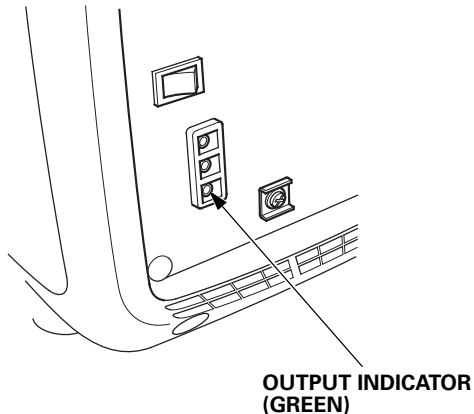


## Output Indicator

The output indicator (green) is illuminated when the generator is operating normally. It indicates that the generator is producing electrical power at the receptacles.

In addition, the output indicator has a simplified hour meter function. When you start the engine, the indicator blinks according to the generator's cumulative operating hours as follows:

- No blinks: 0–100 hours
- 1 blink: 100–200 hours
- 2 blinks: 200–300 hours
- 3 blinks: 300–400 hours
- 4 blinks: 400–500 hours
- 5 blinks: 500 or more hours

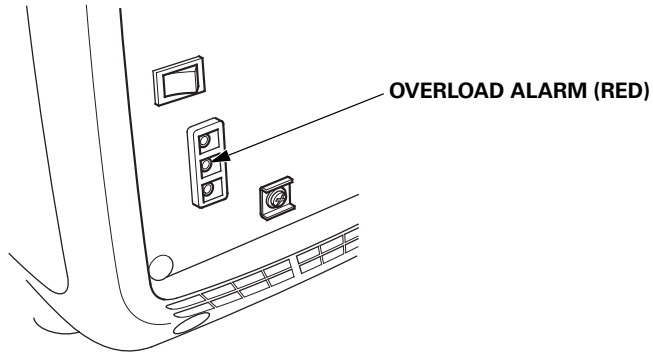


# CONTROLS & FEATURES

---

## Overload Alarm (Indicator)

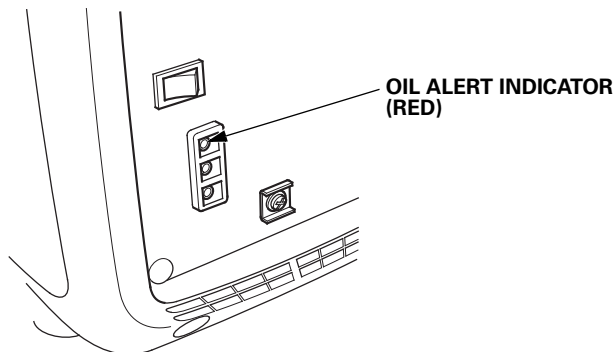
If the generator is overloaded (in excess of 2.2 kVA), or if there is a short circuit in a connected appliance, the overload alarm (red) will come ON. The overload alarm (red) will stay ON, and after about four seconds, current to the connected appliance(s) will shut off, and the output indicator (green) will go OFF. However, the engine will continue to run. If the overload alarm blink continuously, it suggests an abnormal of inverter unit (see page 59).



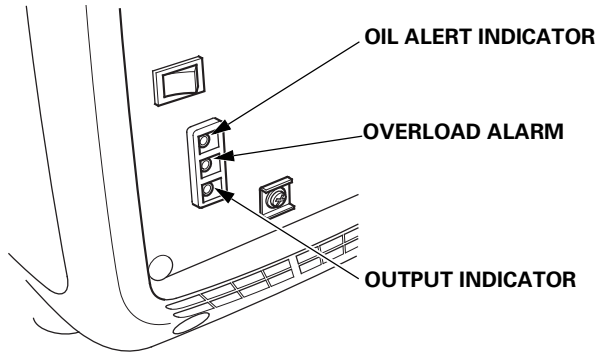
## Oil Alert<sup>®</sup> Indicator

The Oil Alert<sup>®</sup> system is designed to prevent engine damage caused by an insufficient amount of oil in the crankcase. Before the oil level in the crankcase can fall below a safe limit, the Oil Alert indicator (red) comes ON and the Oil Alert system automatically will stop the engine (the engine switch will remain in the ON position).

If the engine stops or the oil alert indicator (red) comes ON when you pull the starter grip, check the engine oil level (see page 40) before troubleshooting in other areas.



## LED Light Patterns



Status	Possible cause	Output Indicator	Overload Alarm	Oil Alert Indicator
Normal	Operating normally	○	●	●
Malfunction	Inverter unit failure	●	☼	●
Abnormal	Output overcurrent	●	○	●
	Inverter unit overheat	●	○	●
Warning	Engine oil low	●	●	○

○ : ON

● : OFF

☼ : Blinking

Refer to *TAKING CARE OF UNEXPECTED PROBLEMS* on page 59 for failure diagnosis.

# BEFORE OPERATION

## ARE YOU READY TO GET STARTED?

Your safety is your responsibility. A little time spent in preparation will significantly reduce your risk of injury.

### **Knowledge**

Read and understand this manual. Know what the controls do and how to operate them.

Familiarize yourself with the generator and its operation before you begin using it. Know how to quickly shut off the generator in case of an emergency.

If the generator is being used to power appliances, be sure that they do not exceed the generator's load rating (see page 32).

## IS YOUR GENERATOR READY TO GO?

For your safety, to ensure compliance with environmental regulations, and to maximize the service life of your equipment, it is very important to take a few moments before you operate the generator to check its condition. Be sure to take care of any problem you find, or have your servicing dealer correct it, before you operate the generator.

### **⚠ WARNING**

Failure to properly maintain this generator, or failing to correct a problem before operation, could result in a significant malfunction.

Some malfunctions can cause serious injuries or death.

Always perform a pre-operation inspection before each operation and correct any problems.

# BEFORE OPERATION

---

To prevent a possible fire, keep the generator at least 3 feet (1 meter) away from building walls and other equipment during operation. Do not place flammable objects close to the engine.

Before beginning your pre-operation checks, be sure the generator is on a level and firm surface and the engine switch is in the OFF position.

## **Check the Engine**

- Before each use, look around and underneath the engine for signs of oil or gasoline leaks.
- Check the engine oil level (see page 40). A low engine oil level will cause the Oil Alert system to shut down the engine.
- Check the air filters (see page 43). Dirty air filters will restrict air flow to the carburetor, reducing engine and generator performance.
- Check the fuel level (see page 38). Starting with a full tank will help to eliminate or reduce operating interruptions for refueling.

## **Check the GFCI**

Check the GFCI operation (see page 27) after starting the engine.

# OPERATION

## SAFE OPERATING PRECAUTIONS

Before operating the generator for the first time, review chapters *GENERATOR SAFETY* (see page 6) and *BEFORE OPERATION* (see page 20).

For your safety, do not operate the generator in an enclosed area such as a garage. Your generator's exhaust contains poisonous carbon monoxide gas that can collect rapidly in an enclosed area and cause illness or death.

### **WARNING**

Exhaust contains poisonous carbon monoxide gas that can build up to dangerous levels in closed areas.

Breathing carbon monoxide can cause unconsciousness or death.

Never run this product's engine in a closed, or even partly closed area.

Before connecting an AC appliance or power cord to the generator:

- Use grounded 3-prong extension cords, tools, and appliances, or double-insulated tools and appliances.
- Inspect cords and plugs, and replace if damaged.
- Do not use cord lengths greater than 164 feet (50 meters), and do not use multiple tools and appliances with built-in noise filters. Such use may activate the GFCI.
- Make sure that the appliance is in good working order. Faulty appliances or power cords can create a potential for electric shock.
- Make sure the electrical rating of the tool or appliance does not exceed the rated power of the generator or the receptacle being used.
- Operate the generator at least 3 feet (1 meter) away from buildings and other equipment.
- Do not operate the generator in an enclosed structure.
- Do not place flammable objects close to the engine or locate the generator near flammable materials.



## STARTING THE ENGINE

To prevent a possible fire, keep the generator at least 3 feet (1 meter) away from building walls and other equipment during operation. Do not place flammable objects close to the engine.

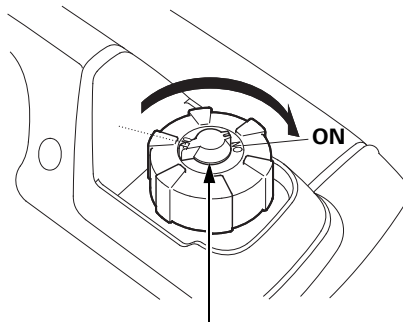
### NOTICE

- *Operating this generator less than 3 feet (1 meter) from a building or other obstruction can cause overheating and damage the generator.*
- *For proper cooling, allow at least 3 feet (1 meter) of empty space above and around the generator.*

*Keep all cooling holes open and clear of debris, mud, water, etc. Cooling holes are located on the side panel, the control panel, and the bottom of the generator. If the cooling holes are blocked, the generator may overheat and damage the engine, inverter, or windings.*

Refer to *SAFE OPERATING PRECAUTIONS* on page 22 and perform the *IS YOUR GENERATOR READY TO GO?* checks (see page 20). Refer to the *AC OPERATION* (see page 30) for connecting loads to the generator.

1. Make sure that all appliances are disconnected from the AC receptacle.
2. Turn the fuel filler cap vent lever to the ON position.

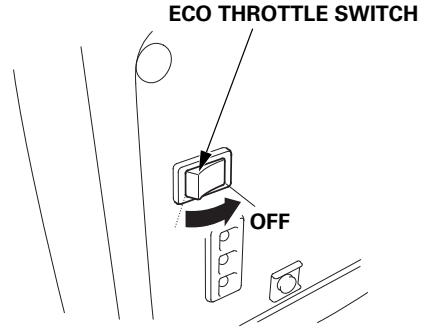


FUEL FILLER CAP VENT LEVER

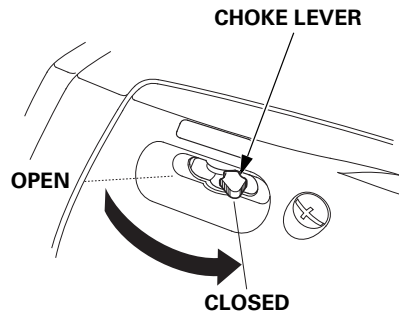
# OPERATION

---

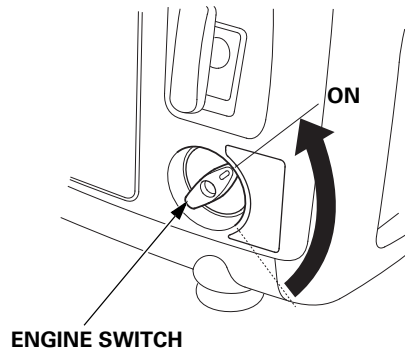
3. Make sure the Eco Throttle switch is in the OFF position, or more time will be required for warm-up.



4. To start a cold engine, move the choke lever to the CLOSED position. To restart a warm engine, leave the choke lever in the OPEN position.



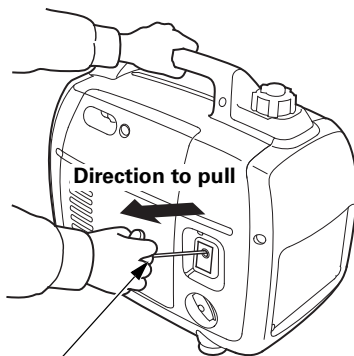
5. Turn the engine switch to the ON position.



- Pull the starter grip lightly until you feel resistance; then pull briskly in the direction of the arrow as shown.

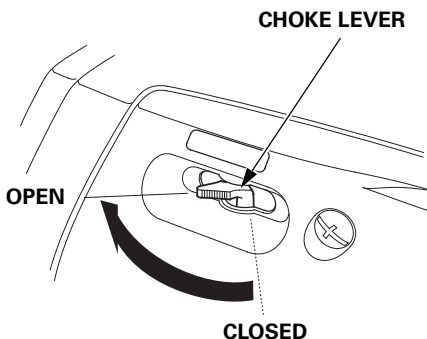
**NOTICE**

*Do not allow the starter grip to snap back against the generator. Return it gently to prevent damage to the starter.*



**STARTER GRIP**

- If the choke lever was moved to the CLOSED position to start the engine, gradually move it to the OPEN position as the engine warms up.



**CHOKE LEVER**

- If you wish to use the Eco Throttle system, turn the Eco Throttle switch to the ON position after the engine has warmed up for 2 or 3 minutes.



**ECO THROTTLE SWITCH**

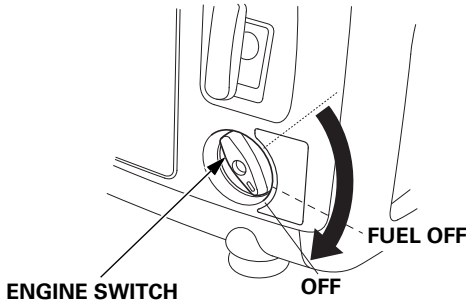
# OPERATION

---

## STOPPING THE ENGINE

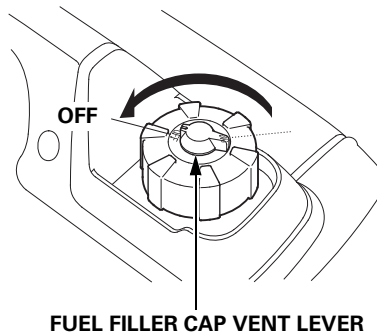
To stop the engine in an emergency, simply turn the engine switch to the OFF position securely. Under normal conditions, use the following procedure.

1. Turn off or disconnect all appliances that are connected to the generator.
2. Turn the engine switch to the OFF position securely.



Operating the generator in the FUEL OFF position before turning the engine switch to the OFF position can reduce the fuel in the carburetor.

- When using the FUEL OFF position, the generator will continue to run for several minutes until the fuel in the carburetor has been consumed, and then the engine will stop.
  - Turn the engine switch to the OFF position after the engine stops.
  - After stopping the engine using the FUEL OFF position, restarting the engine will require additional pulls on the recoil starter.
3. Allow the engine to cool, and then turn the fuel filler cap vent lever to the OFF position.



If the generator will not be used for a long period of time, refer to page 52 for information on *Draining the Fuel Tank and Carburetor*.

## GFCI OPERATION CHECK

Always check GFCI operation before using the generator.

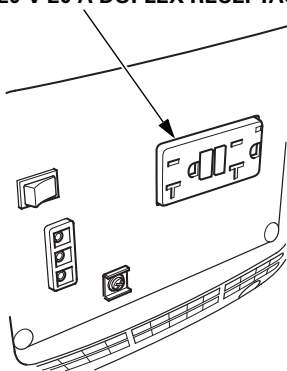
### **⚠ WARNING**

A faulty GFCI system will not provide proper protection against electric shock as designed.

An electric shock can result in serious injury or death.

Always perform the GFCI system inspection before using the generator. If the GFCI system fails the test, the generator must be repaired by an authorized Honda servicing dealer before use.

**GFCI RECEPTACLE  
(120 V 20 A DUPLEX RECEPTACLE)**



# OPERATION

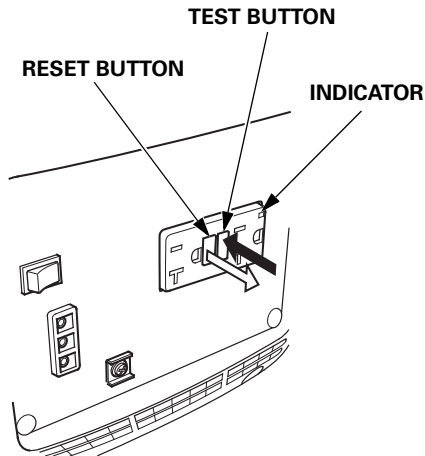
---

1. Unplug all tools and appliances from the generator.
2. Start the engine (see page 23).  
When the GFCI is operating normally, the indicator will continuously light green.

Light order:

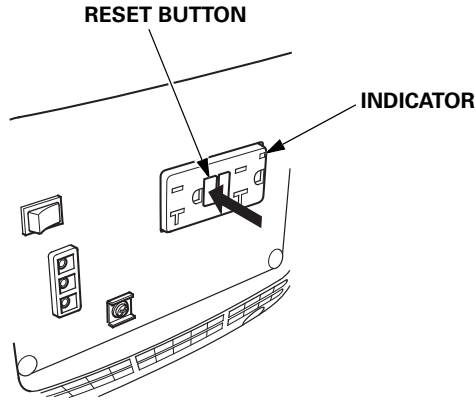
(red) Blink once → (green) Light once → (red) Blink once  
→ (green) Lights continuously

- If the green indicator light does not come on, press the RESET button.
  - If the red indicator starts to blink continuously, contact an authorized Honda generator dealer.
3. Press the TEST button:
    - The RESET button will pop out and the green indicator will go off.
    - If the GFCI does not function as described, contact an authorized Honda generator dealer.



## 4. Press the RESET button:

- The green indicator will light continuously.
- If the red indicator starts to blink continuously, contact an authorized Honda generator dealer.



When the RESET button pops out or the green indicator does not lit during operation:

- Unplug all appliances from the GFCI protected receptacle.
- Press the RESET button.
  - If the GFCI cannot be reset, the GFCI is faulty. Contact an authorized Honda generator dealer.
  - If the RESET button extends, this usually indicates a faulty power tool, appliance, or cord. If that occurs, perform test steps 1 through 4 to verify that the GFCI is in proper working order. If the GFCI tests correctly, then the fault is likely to be in the power tool, appliance, or cord.  
Repair or replace the faulty power tool, appliance, or cord before further use.

# OPERATION

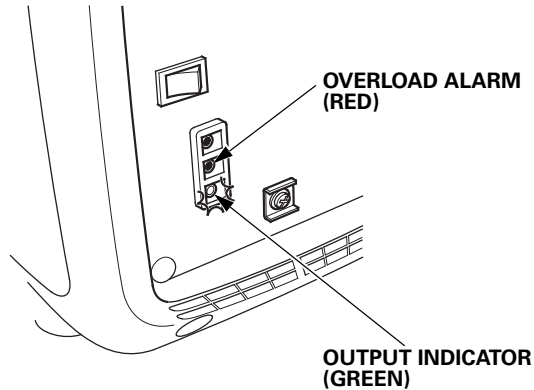
---

## AC OPERATION

Before connecting an appliance to the generator, make sure that it is in good working order and that its electrical rating does not exceed that of the generator.

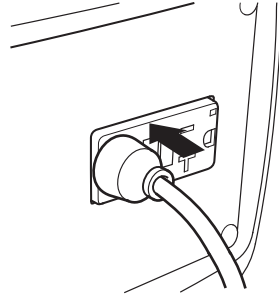
Most motorized appliances require more than their electrical rating for startup. When an electric motor is started, the overload alarm (red) may come ON. This is normal if the overload alarm (red) goes OFF within 4 seconds. If the overload alarm (red) stays ON, consult your generator dealer.

1. Start the engine (see page 23) and make sure the output indicator (green) comes ON.





2. Plug the appliance into the receptacle.



3. Turn on the appliance.

If the generator is overloaded (see page 32), or if there is a short circuit in a connected appliance, the overload alarm (red) will go ON. The overload alarm (red) will stay ON, and after about four seconds, current to the connected appliance(s) will shut off, and the output indicator (green) will go OFF. Stop the engine and investigate the problem.

Determine if the cause is a short circuit in a connected appliance or an overload. Correct the problem and restart the generator.

# OPERATION

---

## AC Applications

Before connecting an appliance or power cord to the generator:

- Make sure that it is in good working order. A faulty appliance or power cord can create a potential for electrical shock.
- If an appliance begins to operate abnormally, becomes sluggish, or stops suddenly, turn it off immediately. Disconnect the appliance, and determine whether the problem is the appliance or the rated load capacity of the generator has been exceeded.

Most appliance motors require more than their rated wattage for startup.

Make sure the electrical rating of the tool or appliance does not exceed the maximum power rating of the generator.

Maximum power is:

2.2 kVA

For continuous operation, do not exceed the rated power.

Rated power is:

1.8 kVA

In either case, the total power requirements (VA) of all appliances connected must be considered. Appliance and power tool manufacturers usually list rating information near the model number or serial number.

### NOTICE

*Substantial overloading that continuously lights the red overload alarm may damage the generator. Marginal overloading that temporarily lights the red overload alarm may shorten the service life of the generator.*

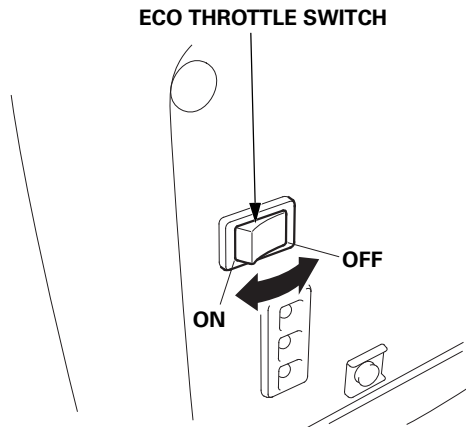
## ECO THROTTLE<sup>®</sup> SYSTEM

With the switch in the ON position, engine speed is automatically lowered when loads are reduced, turned off, or disconnected. When appliances are turned ON or reconnected, the engine returns to the proper speed to power the electrical load. In the OFF position, the Eco Throttle<sup>®</sup> system does not operate.

Appliances with large start-up power demands may not allow the engine to reach normal operating rpm when they are connected to the generator. Turn the Eco Throttle switch to the OFF position and connect the appliance to the generator. If the engine still will not reach normal operating speed, check that the appliance does not exceed the rated load capacity of the generator.

If high electrical loads are connected simultaneously, turn the Eco Throttle switch to the OFF position to reduce voltage changes.

The Eco Throttle system is not effective for use with appliances or tools that require only momentary power. If the tool or appliance will be turned ON and OFF quickly, the Eco Throttle switch should be in the OFF position.



# OPERATION

---

## STANDBY POWER

### Connections to a Building's Electrical System

Do not connect an EB2200i generator to a home or building's electrical system.

The Honda EB2200i generator is designed for construction job site use and cannot be connected to a building's electrical system. This generator has the neutral bonded to ground to comply with OSHA job site temporary power regulation. Building main breaker boxes also have the neutral bonded to ground, so if an EB2200i generator is connected to a home or building electrical system, the generator GFCI system will activate and power to the receptacles will shut off.

### System Ground

This generator has a system ground that connects generator frame components to ground terminals in the AC output receptacles. The system ground is connected to the AC neutral wire.

### Special Requirements

#### NOTICE

*Do not lay the generator on its side when moving, storing, or operating it. Oil may leak and damage the engine or your property.*

There may be Federal or State Occupational Safety and Health Administration (OSHA) regulations, local codes, or ordinances that apply to the intended use of the generator. Please consult a qualified electrician, electrical inspector, or the local agency having jurisdiction.

- In some areas, generators are required to be registered with local utility companies.
- If the generator is used at a construction site, there may be additional regulations that must be observed.

# SERVICING YOUR GENERATOR

## THE IMPORTANCE OF MAINTENANCE

Good maintenance is essential for safe, economical, and trouble-free operation. It will also help reduce air pollution.

To help you properly care for your generator, the following pages include a maintenance schedule, routine inspection procedures, and simple maintenance procedures using basic hand tools. Other service tasks that are more difficult or require special tools are best handled by professionals and are normally performed by a Honda technician or other qualified mechanic.

The maintenance schedule applies to normal operating conditions. If you operate your generator under unusual conditions, such as sustained high-load or high-temperature operation, or use it in dusty conditions, consult your servicing dealer for recommendations applicable to your individual needs and use.

### **WARNING**

Failure to properly maintain this generator, or failing to correct a problem before operation, could result in a significant malfunction.

Some malfunctions can cause serious injuries or death.

Always follow the inspection and maintenance recommendations and schedules in this owner's manual.

Remember that an authorized Honda servicing dealer knows your generator best and is fully equipped to maintain and repair it.

To ensure the best quality and reliability, use only new, Honda Genuine parts or their equivalents for repair and replacement.

**Maintenance, replacement, or repair of the emission control devices and systems may be performed by any engine repair establishment or individual, using parts that are "certified" to EPA standards.**

# SERVICING YOUR GENERATOR

---

## MAINTENANCE SAFETY

Some of the most important safety precautions follow. However, we cannot warn you of every conceivable hazard that can arise in performing maintenance. Only you can decide whether or not you should perform a given task.

### **WARNING**

Improper maintenance can cause an unsafe condition.

Failure to properly follow maintenance instructions and precautions can cause serious injuries or death.

Always follow the procedures and precautions in this owner's manual.

## Safety Precautions

Make sure the engine is OFF before you begin any maintenance or repairs. This will eliminate several potential hazards:

- **Carbon monoxide poisoning from engine exhaust.**  
Operate outside away from open windows or doors.
- **Burns from hot parts.**  
Let the engine and exhaust system cool before touching.
- **Injury from moving parts.**  
Do not run the engine unless instructed to do so.
- Read the instructions before you begin, and make sure you have the tools and skills required.
- To reduce the possibility of fire or explosion, be careful when working around gasoline. Use only a non-flammable solvent, not gasoline, to clean parts. Keep cigarettes, sparks, and flames away from all fuel-related parts.

# SERVICING YOUR GENERATOR

## MAINTENANCE SCHEDULE

REGULAR SERVICE PERIOD (3) Perform at every indicated month or operating hour interval, whichever comes first.		Each use	First month or 20 Hrs.	Every 3 months or 50 Hrs.	Every 6 months or 100 Hrs.	Every year or 200 Hrs.	Page
ITEM							
Engine oil	Check level	o					40
	Change		o		o		41
Air cleaner	Check	o					43
	Clean			o (1)			45
GFCI operation	Check	o					27
Spark plug	Check-adjust				o		46
	Replace					o	46
Spark arrester	Clean				o		48
Valve clearance	Check-adjust					o (2)	—
Combustion chamber	Clean	After every 300 hrs. (2)					—
Fuel tank and filter	Clean				o (2)		—
Fuel tube	Check	Every 2 years (Replace if necessary) (2)					—

(1) Service more frequently when used in dusty areas.

(2) These items should be serviced by your servicing dealer, unless you have the proper tools and are mechanically proficient. Refer to the Honda shop manual for service procedures. See "Honda Publications" on page 68 for ordering information.

(3) For commercial use, log hours of operation to determine proper maintenance intervals.

Failure to follow this maintenance schedule could result in non-warrantable failures.

# SERVICING YOUR GENERATOR

---

## REFUELING

With the engine stopped, remove the fuel filler cap and check the fuel level. Refill the fuel tank if the fuel level is low.

### **WARNING**

Gasoline is highly flammable and explosive.

You can be burned or seriously injured when handling fuel.

- Stop the engine and let it cool before handling fuel.
- Keep heat, sparks, and flame away.
- Handle fuel only outdoors.
- Wipe up spills immediately.

### **NOTICE**

*Fuel can damage paint and plastic. Be careful not to spill fuel when filling your fuel tank. Damage caused by spilled fuel is not covered under the Distributor's Limited Warranty.*

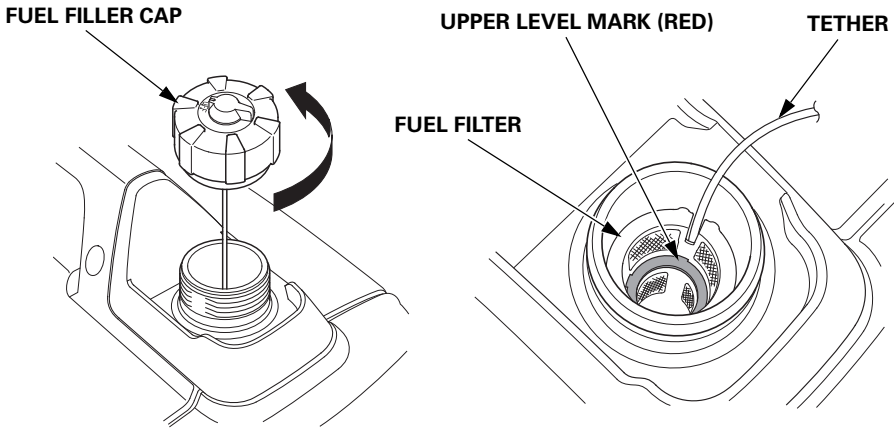
Refuel in a well-ventilated area before starting the engine. If the engine has been running, allow it to cool. Refuel carefully to avoid spilling fuel. Do not fill the fuel tank above the upper level mark (see page 39) on the fuel filter.

Never refuel the engine inside a building where gasoline fumes may reach flames or sparks. Keep gasoline away from appliance pilot lights, barbecues, electric appliances, power tools, etc.

Spilled fuel is not only a fire hazard, it causes environmental damage. Wipe up spills immediately.



# SERVICING YOUR GENERATOR



After refueling, tighten the fuel filler cap until it clicks.

## FUEL RECOMMENDATIONS

This engine is certified to operate on regular unleaded gasoline with a pump octane rating of 86 or higher.

Never use gasoline that is stale, contaminated, or mixed with oil. Avoid getting dirt or water in the fuel tank.

You may use regular unleaded gasoline containing no more than 10% ethanol (E10) or 5% methanol by volume. In addition, methanol must contain cosolvents and corrosion inhibitors.

Use of fuels with content of ethanol or methanol greater than shown above may cause starting and/or performance problems. It may also damage metal, rubber, and plastic parts of the fuel system.

Engine damage or performance problems that result from using a fuel with percentages of ethanol or methanol greater than shown above are not covered under warranty.

If your equipment will be used on an infrequent basis, please refer to the fuel section of the *STORAGE* chapter (see page 50) for additional information regarding fuel deterioration.

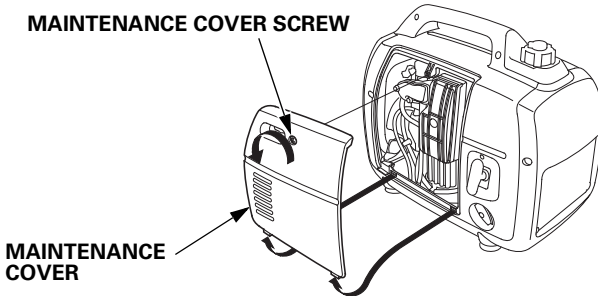
# SERVICING YOUR GENERATOR

---

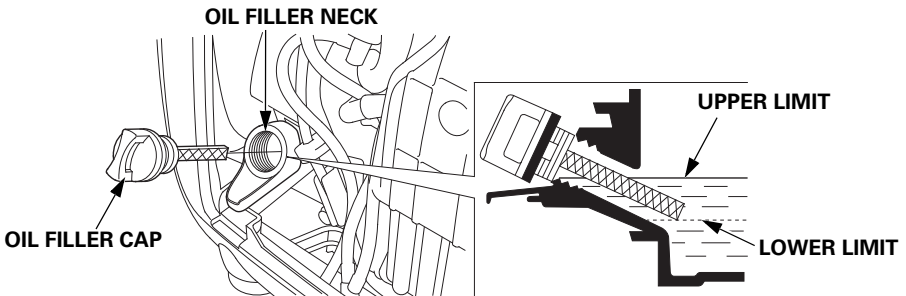
## ENGINE OIL LEVEL CHECK

Check the engine oil level with the generator on a level surface and the engine stopped.

1. Loosen the maintenance cover screw and remove the maintenance cover.



2. Remove the oil filler cap and wipe the dipstick clean.
3. Check the oil level by inserting the dipstick into the oil filler neck without screwing it in.
4. If the level is low, fill to the upper limit of the oil filler neck with the recommended oil (see page 42).
5. Reinstall the oil filler cap securely.
6. Reinstall the maintenance cover and tighten the maintenance cover screw securely.



The Oil Alert system will automatically stop the engine before the oil level falls below safe limits. However, to avoid the inconvenience of an unexpected shutdown, check the oil level regularly.

# SERVICING YOUR GENERATOR

## ENGINE OIL CHANGE

Drain the oil while the engine is warm to assure rapid and complete draining.

1. Turn the engine switch and fuel filler cap vent lever to the OFF position (see page 26) to reduce the possibility of fuel leakage.
2. Loosen the maintenance cover screw and remove the maintenance cover (see page 40).
3. Place a suitable container next to the engine to catch the used oil.
4. Remove the oil filler cap, and drain the oil into the container by tipping the engine toward the oil filler neck.

### NOTICE

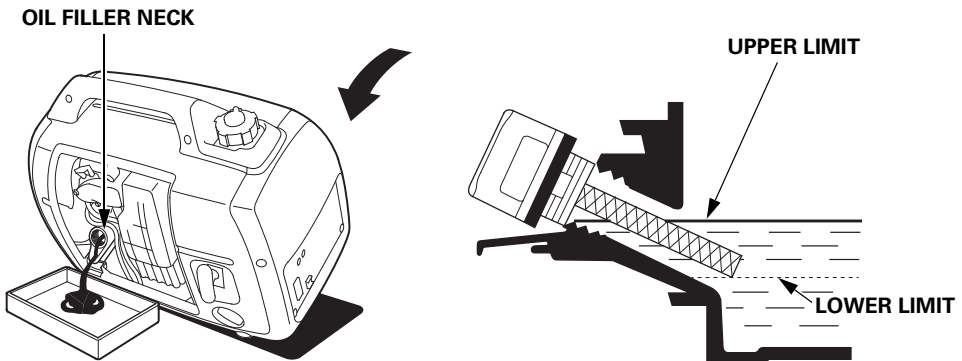
*Improper disposal of engine oil can be harmful to the environment. If you change your own oil, please dispose of the used oil properly. Put it in a sealed container, and take it to a recycling center. Do not discard it in a trash bin, dump it on the ground, or pour it down the drain.*

5. With the generator in a level surface, fill with the recommended oil (see page 42) to the upper limit of the oil filler neck.

**Maximum oil capacity:** 14 oz (0.44 L)

6. Reinstall the oil filler cap securely.
7. Reinstall the maintenance cover and tighten the maintenance cover screw securely.

Wash your hands with soap and water after handling used oil.



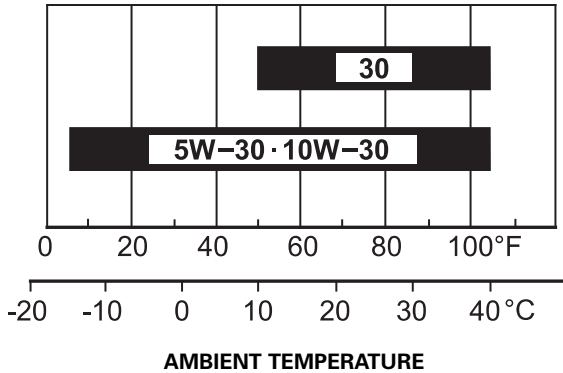
# SERVICING YOUR GENERATOR

---

## ENGINE OIL RECOMMENDATIONS

Oil is a major factor affecting performance and service life. Use 4-stroke automotive detergent oil.

SAE 10W-30 is recommended for general use. Other viscosities shown in the chart may be used when the average temperature in your area is within the recommended range.

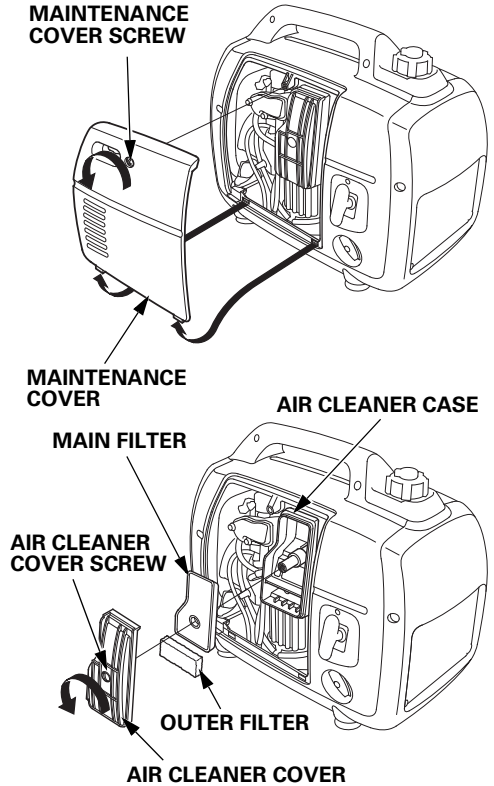


The SAE oil viscosity and service category are in the API label on the oil container. Honda recommends that you use API service category SJ or later (or equivalent) oil.

# SERVICING YOUR GENERATOR

## AIR CLEANER SERVICE

1. Loosen the maintenance cover screw and remove the maintenance cover.
2. Loosen the air cleaner cover screw, and remove the air cleaner cover.
3. Remove the main and outer filters from the air cleaner case.

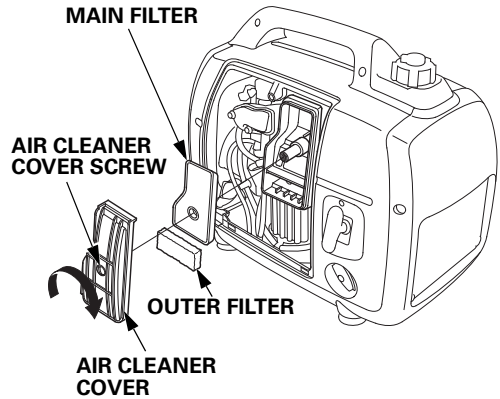
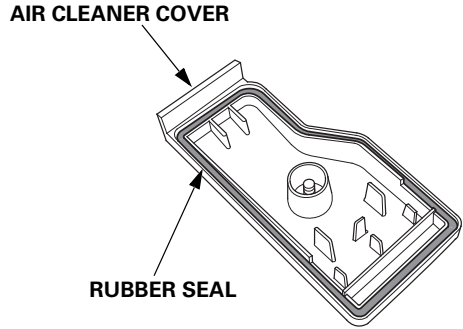


4. Check the main and outer filters to be sure they are clean and in good condition. If the main and outer filters are dirty, clean them as described on page 45. Replace the main and outer filters if they are damaged.

# SERVICING YOUR GENERATOR

---

5. Reinstall the air filters.
6. Make sure that the rubber seal is set in the groove of the air cleaner cover.
7. Reinstall the air cleaner cover, and tighten the air cleaner cover screw.
8. Reinstall the maintenance cover, and tighten the maintenance cover screw securely.



## NOTICE

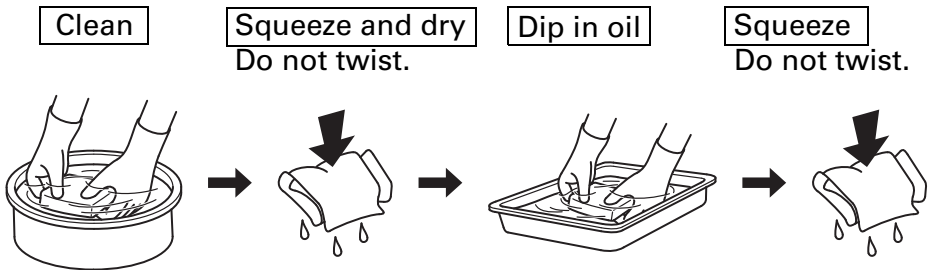
*Operating the engine without the air filters or with a damaged air filters will allow dirt to enter the engine, causing rapid engine wear. This type of damage is not covered by the Distributor's Limited Warranty.*

# SERVICING YOUR GENERATOR

## MAIN AND OUTER FILTERS CLEANING

Dirty main and outer filters will restrict air flow to the carburetor, reducing engine performance. If you operate the generator in very dusty areas, clean the main and outer filters more frequently than specified in the *MAINTENANCE SCHEDULE* (see page 37).

1. Clean the air filters in warm soapy water, rinse, and allow to dry thoroughly, or clean in nonflammable solvent and allow to dry.
2. Dip the air filters in clean engine oil, and then squeeze out all excess oil. The engine will smoke when started if too much oil is left in the air filters.



3. Wipe dirt from the air cleaner case and cover using a moist rag. Be careful to prevent dirt from entering the air duct that leads to the carburetor.

# SERVICING YOUR GENERATOR

---

## SPARK PLUG SERVICE

In order to service the spark plug, you will need a spark plug wrench (commercially available).

**Spark plug:** CR5HSB (NGK)

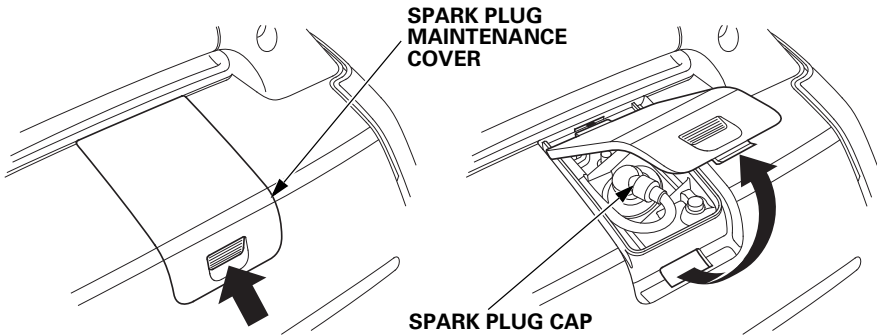
To ensure proper engine operation, the spark plug must be properly gapped and free of deposits.

### NOTICE

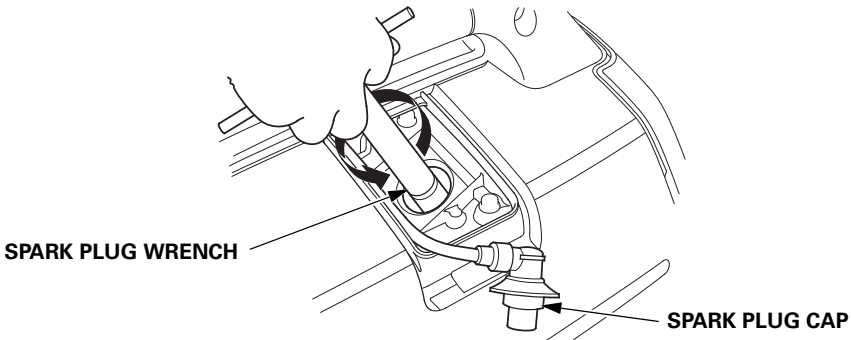
*An incorrect spark plug can cause engine damage.*

If the engine is hot, allow it to cool before servicing the spark plug.

1. Remove the spark plug maintenance cover.
2. Remove the spark plug cap.



3. Clean any dirt from around the spark plug base.
4. Use a spark plug wrench to remove the spark plug.



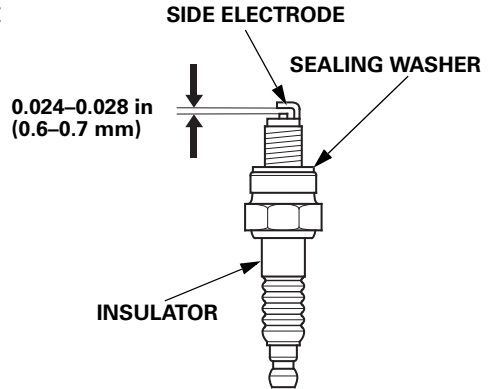


# SERVICING YOUR GENERATOR

5. Inspect the spark plug. Replace it if the electrode is worn or if the insulator is cracked, chipped, or fouled.

6. Measure the spark plug electrode gap with a wire-type feeler gauge. Correct the gap, if necessary, by carefully bending the side electrode.

The gap should be:  
0.024–0.028 in (0.6–0.7 mm)



7. Make sure that the spark plug sealing washer is in good condition, and thread the spark plug in by hand to prevent cross-threading.
8. After the spark plug is seated, tighten with a spark plug wrench to compress the sealing washer.

If reinstalling a used spark plug, tighten 1/8–1/4 turn after the spark plug seats.

If installing a new spark plug, tighten 1/2 turn after the spark plug seats.

**TORQUE:** 8.7 lbf·ft (12 N·m, 1.2 kgf·m)

## NOTICE

*A loose spark plug can overheat and damage the engine. Overtightening the spark plug can damage the threads in the cylinder head.*

9. Reinstall the spark plug cap on the spark plug securely.
10. Reinstall the spark plug maintenance cover.

# SERVICING YOUR GENERATOR

---

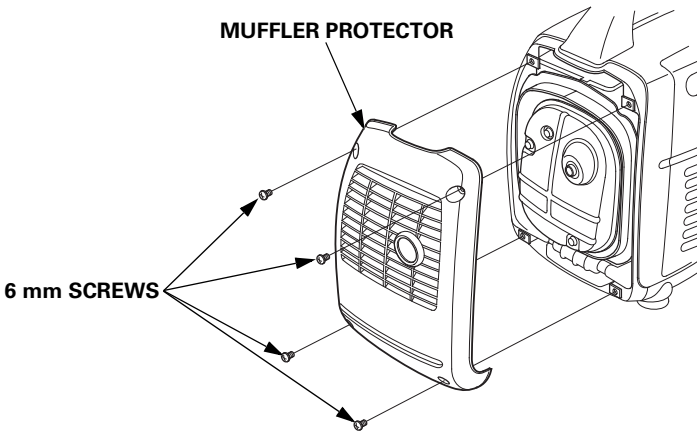
## SPARK ARRESTER SERVICE

The spark arrester must be serviced every 100 hours to keep it functioning as designed.

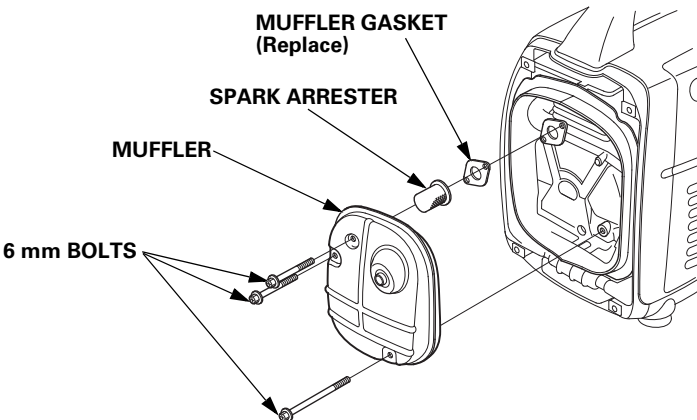
If the engine has been running, the muffler will be very hot. Allow the muffler to cool before servicing the spark arrester.

Clean the spark arrester as follows:

1. Remove the four 6 mm screws, and remove the muffler protector.



2. Remove the three 6 mm bolts, and remove the muffler, the spark arrester, and the muffler gasket.



# SERVICING YOUR GENERATOR

---

3. Use a brush to remove carbon deposits from the spark arrester screen. Be careful to avoid damaging the screen. The spark arrester must be free of breaks and tears. Replace the spark arrester if it is damaged.



4. Replace a new muffler gasket, the spark arrester, the muffler, and the muffler protector in the reverse order of removal.

# STORAGE

## STORAGE PREPARATION

Proper storage preparation is essential for keeping your generator trouble-free and looking good. The following steps will help to keep rust and corrosion from impairing your generator's function and appearance, and will make the engine easier to start when you use the generator again.

### Cleaning

Wipe the generator with a moist cloth. After the generator has dried, touch up any damaged paint, and coat other areas that may rust with a light film of oil.

### Fuel

#### NOTICE

*Depending on the region where you operate your equipment, fuel formulations may deteriorate and oxidize rapidly. Fuel deterioration and oxidation can occur in as little as 30 days and may cause damage to the carburetor and/or fuel system. Please check with your servicing dealer for local storage recommendations.*

Gasoline will oxidize and deteriorate in storage. Old gasoline will cause hard starting, and it leaves gum deposits that clog the fuel system. If the gasoline in your generator deteriorates during storage, you may need to have the carburetor and other fuel system components serviced or replaced.

The length of time that gasoline can be left in your fuel tank and carburetor without causing functional problems will vary with such factors as gasoline blend, your storage temperatures, and whether the fuel tank is partially or completely filled. The air in a partially filled fuel tank promotes fuel deterioration. Very warm storage temperatures accelerate fuel deterioration. Fuel deterioration problems may occur within a few months, or even less if the gasoline was not fresh when you filled the fuel tank.

The *Distributor's Limited Warranty* does not cover fuel system damage or engine performance problems resulting from neglected storage preparation.

You can extend fuel storage life by adding a gasoline stabilizer that is formulated for that purpose, or you can avoid fuel deterioration problems by draining the fuel tank and carburetor.

Service according to the table below:

<b>STORAGE TIME</b>	<b>RECOMMENDED SERVICE PROCEDURE TO PREVENT HARD STARTING</b>
Less than 1 month	No preparation required.
1 to 2 months	Fill with fresh gasoline and add gasoline stabilizer*.
2 months to 1 year	Fill with fresh gasoline and add gasoline stabilizer*. Turn the engine switch to the OFF position and drain the carburetor float bowl (see page 52).
1 year or more	Drain the fuel tank and carburetor (see page 52). Change the engine oil and lubricate the cylinder (see page 54).
*Use gasoline stabilizers that are formulated to extend storage life. Follow the manufacturer's instructions for use. Contact your authorized Honda generator dealer for stabilizer recommendations.	

# STORAGE

## *Draining the Fuel Tank and Carburetor*

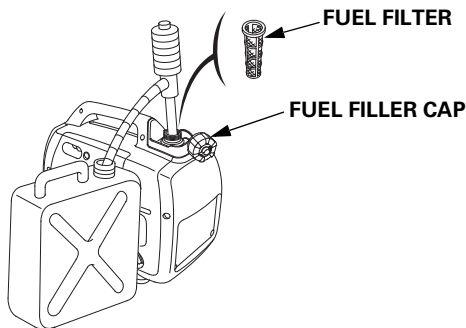
### **⚠ WARNING**

Gasoline is highly flammable and explosive.

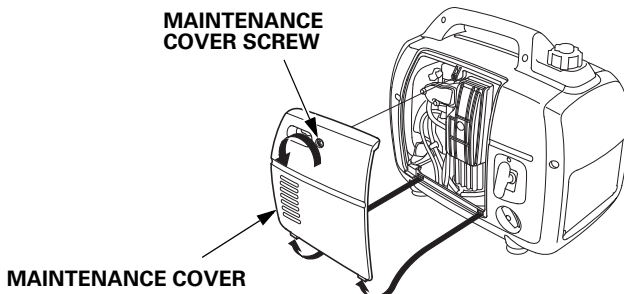
You can be burned or seriously injured when handling fuel.

- Stop the engine and let it cool before handling fuel.
- Keep heat, sparks, and flame away.
- Handle fuel only outdoors.
- Wipe up spills immediately.

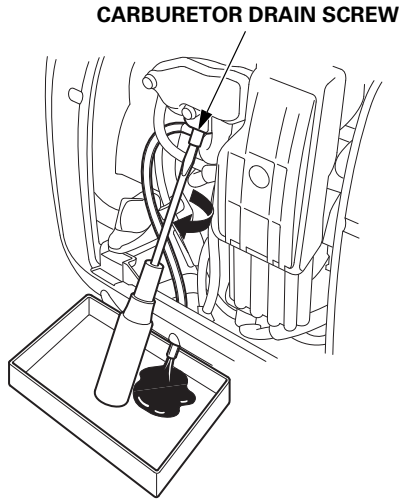
1. Unscrew the fuel filler cap (see page 39), remove the fuel filter, and empty the fuel tank into an approved gasoline container. We recommend using a commercially available gasoline hand pump to empty the tank. Do not use an electric pump. Reinstall the fuel filter and the fuel filler cap.



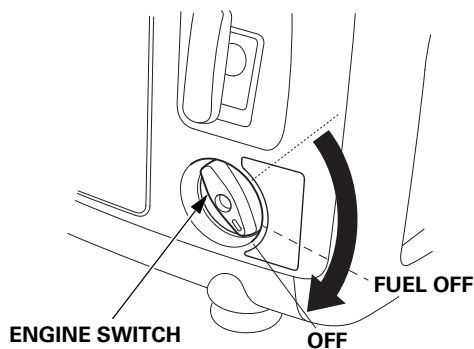
2. Loosen the maintenance cover screw and remove the maintenance cover (see page 40).



3. Loosen the carburetor drain screw, and drain the gasoline from the carburetor into a suitable container.



4. Remove the spark plug maintenance cover, and the spark plug cap (see page 46).
5. Turn the engine switch to the ON position (see page 24).
6. Pull the starter grip 3 to 4 times to drain the gasoline from the fuel pump.
7. Turn the engine switch to the OFF position securely.



8. Tighten the carburetor drain screw, and then reinstall the maintenance cover.
9. Reinstall the spark plug cap and spark plug maintenance cover.

# STORAGE

---

## Engine Oil

Change the engine oil (see page 41).

## Engine Cylinder

1. Remove the spark plug (see page 46), and pour approximately one teaspoon (5 cc) of clean engine oil into the cylinder. Crank the engine several revolutions to distribute the oil, and then reinstall the spark plug.
2. Reinstall the spark plug cap on the spark plug securely.
3. Reinstall the spark plug maintenance cover.
4. Reinstall the maintenance cover and tighten the maintenance cover screw securely.
5. Pull the starter grip (see page 25) slowly until you feel resistance, and then return the starter grip gently. This closes the valves so moisture cannot enter.



## STORAGE PRECAUTIONS

If your generator will be stored with gasoline in the fuel tank and carburetor, it is important to reduce the hazard of gasoline vapor ignition.

Select a well-ventilated storage area away from any appliance that operates with a flame, such as a furnace, water heater, or clothes dryer.

Also, avoid any area with a spark-producing electric motor, or where power tools are operated.

If possible, avoid storage areas with high humidity, because that promotes rust and corrosion.

Unless all fuel has been drained from the fuel tank, leave the engine switch in the OFF position, and the fuel filler cap vent lever in the OFF position (see page 26) to reduce the possibility of leakage.

Place the generator on a level surface. Tilting or laying it on its side can cause fuel or oil leakage.

With the engine and exhaust system cool, cover the generator to keep out dust. A hot engine and exhaust system can ignite or melt some materials.

Do not use a plastic sheet as a dust cover. A nonporous cover will trap moisture around the generator, promoting rust and corrosion.

## REMOVAL FROM STORAGE

Check your generator as described in the *BEFORE OPERATION* chapter of this manual (see page 20).

If the fuel was drained during storage preparation, fill the tank with fresh gasoline. If you keep a container of gasoline for refueling, be sure that it contains only fresh gasoline. Gasoline oxidizes and deteriorates over time, causing hard starting.

If the cylinder was coated with oil during storage preparation, the engine may smoke briefly at startup. This is normal.

# TRANSPORTING

## NOTICE

*Do not lay the generator on its side when moving, storing, or operating it. Oil may leak and damage the engine or your property.*

If the generator has been used, allow it cool for at least 15 minutes before loading the generator on the transport vehicle. A hot engine and exhaust system can burn you and can ignite some material. To prevent fuel spillage when transporting, the generator should be secured upright in its normal operating position, with the engine switch OFF and the fuel filler cap vent lever turned fully counterclockwise to the OFF position (see page 26). Take care not to drop or strike the generator when transporting. Do not place heavy objects on the generator.

# TAKING CARE OF UNEXPECTED PROBLEMS

## ENGINE WILL NOT START

Possible Cause	Correction
Fuel filler cap vent lever is in the OFF position.	Turn the fuel filler cap vent lever to the ON position (see page 23).
Engine switch is in the OFF position.	Turn engine switch to the ON position (see page 24).
Out of fuel.	Refuel (see page 38).
Bad fuel, generator stored without treating or draining gasoline, or refueled with bad gasoline.	Drain fuel tank and carburetor (see page 52). Refuel with fresh gasoline (see page 38).
Low engine oil level caused Oil Alert to stop engine.	Turn the engine switch to the OFF position. Add engine oil. Then turn the engine switch to the ON position and restart the engine.
Spark plug faulty, fouled, or improperly gapped.	Gap or replace spark plug (see page 46).
Spark plug wet with fuel (flooded engine).	Dry and reinstall spark plug.
Fuel filter restricted, carburetor malfunction, ignition malfunction, valves stuck, etc.	Take the generator to an authorized Honda servicing dealer, or refer to the shop manual.

# TAKING CARE OF UNEXPECTED PROBLEMS

---

## ENGINE LACKS POWER

<b>Possible Cause</b>	<b>Correction</b>
Air filters restricted.	Clean or replace air filters (see pages 43, 45).
Bad fuel, generator stored without treating or draining gasoline, or refueled with bad gasoline.	Drain fuel tank and carburetor (see page 52). Refuel with fresh gasoline (see page 38).
Fuel filter restricted, carburetor malfunction, ignition malfunction, valves stuck, etc.	Take the generator to an authorized Honda servicing dealer, or refer to the shop manual.

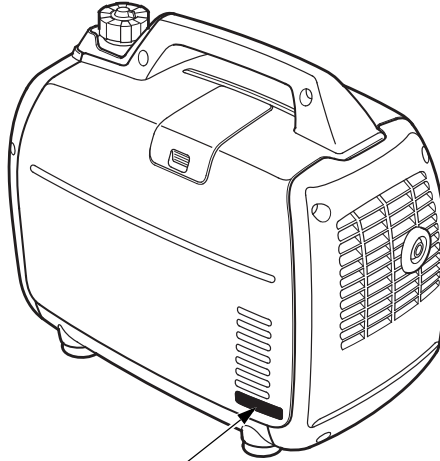
# TAKING CARE OF UNEXPECTED PROBLEMS

## NO POWER AT THE AC RECEPTACLES

Possible Cause	Correction
Output indicator is OFF, and overload alarm is ON.	Check AC load. Stop and restart the engine.
	Check the cooling air inlet. Stop and restart the engine.
Overload alarm blink.	Take the generator to an authorized Honda servicing dealer, or refer to the shop manual.
GFCI system activated.	<ul style="list-style-type: none"><li>• GFCI receptacle (120 V 20 A duplex receptacle): Test GFCI and press the RESET button (see page 27).</li><li>• Replace or repair power tool or appliance.</li></ul>
Faulty power tool or appliance.	Replace or repair power tool or appliance. Stop and restart the engine.
Faulty generator.	Take the generator to an authorized Honda servicing dealer, or refer to the shop manual.

# TECHNICAL INFORMATION

## Serial Number Location



**FRAME SERIAL NUMBER**

Record the frame serial number and date purchased in the spaces below. You will need this information when ordering parts and when making technical or warranty inquiries.

Frame serial number: \_\_\_\_\_

Date purchased: \_\_\_\_\_

## Carburetor Modification for High Altitude Operation

At high altitude, the standard carburetor air-fuel mixture will be too rich. Performance will decrease, and fuel consumption will increase. A very rich mixture will also foul the spark plug and cause hard starting. Operation at an altitude that differs from that at which this engine was certified, for extended periods of time, may increase emissions.

High altitude performance can be improved by specific modifications to the carburetor. If you always operate your generator at altitudes above 5,000 feet (1,500 meters), have your authorized Honda servicing dealer perform this carburetor modification. This engine, when operated at high altitude with the carburetor modifications for high altitude use, will meet each emission standard throughout its useful life.

Even with carburetor modification, engine horsepower will decrease about 3.5% for each 1,000-foot (300-meter) increase in altitude. The effect of altitude on horsepower will be greater than this if no carburetor modification is made.

### NOTICE

*When the carburetor has been modified for high altitude operation, the air/fuel mixture will be too lean for low altitude use. Operation at altitudes below 5,000 feet (1,500 meters) with a modified carburetor may cause the engine to overheat and result in serious engine damage. For use at low altitudes, have your servicing dealer return the carburetor to original factory specifications.*

# TECHNICAL INFORMATION

---

## Emission Control System Information

### ***Source of Emissions***

The combustion process produces carbon monoxide, oxides of nitrogen, and hydrocarbons. Control of hydrocarbons and oxides of nitrogen is very important because, under certain conditions, they react to form photochemical smog when subjected to sunlight. Carbon monoxide does not react in the same way, but it is toxic.

Honda utilizes appropriate air/fuel ratios and other emissions control systems to reduce the emissions of carbon monoxide, oxides of nitrogen, and hydrocarbons.

Additionally, Honda fuel systems utilize components and control technologies to reduce evaporative emissions.

### ***The U.S. and California Clean Air Acts***

EPA and California regulations require all manufacturers to furnish written instructions describing the operation and maintenance of emission control systems.

The following instructions and procedures must be followed in order to keep the Honda engine emissions within the emission standards.

### ***Tampering and Altering***

NOTICE
--------

*Tampering is a violation of federal and California law.*

Tampering with or altering the emission control system may increase emissions beyond the legal limit. Among those acts that constitute tampering are:

- Removal or alteration of any part of intake, fuel, or exhaust systems.
- Altering or defeating the governor linkage or speed-adjusting mechanism to cause the engine to operate outside its design parameters.



## ***Problems That May Affect Emissions***

If you are aware of any of the following symptoms, have your engine inspected and repaired by your authorized Honda servicing dealer.

- Hard starting or stalling after starting.
- Rough idle.
- Misfiring or backfiring under load.
- Afterburning (backfiring).
- Black exhaust smoke or high fuel consumption.

## ***Replacement Parts***

The emissions control systems on your new Honda engine were designed, built, and certified to conform with EPA, California, and Canadian emissions regulations. We recommend the use of Honda Genuine parts whenever you have maintenance done. These original-design replacement parts are manufactured to the same standards as the original parts, so you can be confident of their performance.

Honda cannot deny coverage under the emission warranty solely for the use of non-Honda replacement parts or service performed at a location other than an authorized Honda dealership; you may use comparable EPA certified parts, and have service performed at non-Honda locations. However, the use of replacement parts that are not of the original design and quality may impair the effectiveness of your emissions control system.

A manufacturer of an aftermarket part assumes the responsibility that the part will not adversely affect emissions performance. The manufacturer or rebuilder of the part must certify that use of the part will not result in a failure of the engine to comply with emissions regulations.

## ***Maintenance***

As the power equipment engine owner, you are responsible for completing all required maintenance listed in your owner's manual. Honda recommends that you retain all receipts covering maintenance on your power equipment engine, but Honda cannot deny warranty coverage solely for the lack of receipts or for your failure to ensure that all scheduled maintenance has been completed.

Follow the *MAINTENANCE SCHEDULE* on page 37.

Remember that this schedule is based on the assumption that your generator will be used for its designed purpose. Sustained high-load or high-temperature operation, or use in dusty conditions, will require more frequent service.

# TECHNICAL INFORMATION

---

## ***U.S. EPA and CARB Compliance***

Your new Honda complies with both the U.S. EPA and State of California emission regulations. In all areas of the United States your power equipment engine is designed, built, and equipped to meet the U.S. EPA and California Air Resources Board emission standard for spark-ignited engines.

## ***Warranty Coverage***

Honda Power Equipment engines certified to the CARB and EPA 2010 and later regulations are covered by this warranty to be free from defects in materials and workmanship that may keep it from meeting the applicable EPA and CARB emissions requirements for a minimum of 2 years or 250 hours of operation, whichever comes first; or the length of the Honda Power Equipment Distributor's Limited Warranty, whichever is longer, from the original date of delivery to the retail purchaser. This warranty is transferable to each subsequent purchaser for the duration of the warranty period. Warranty repairs will be made without charge for diagnosis, parts, and labor. Information about how to make a warranty claim, as well as a description of how a claim can be made and/or service can be provided, can be had by contacting an authorized Honda Power Equipment dealer or by contacting American Honda at the following:

Email: [powerequipmentemissions@ahm.honda.com](mailto:powerequipmentemissions@ahm.honda.com)  
Telephone: (888) 888-3139

The covered components include all components whose failure would increase an engine's emissions of any regulated pollutant or evaporative emissions. A list of specific components can be found in the separately included emission warranty statement.

Specific warranty terms, coverage, limitations, and manner of seeking warranty service are also set forth in the separately included emission warranty statement. In addition, the emission warranty statement can also be found on the Honda Power Equipment website:  
<http://powerequipment.honda.com/support/warranty>

## ***Air Index (Models certified for sale in California)***

An Air Index Information label is applied to engines certified to an emission durability time period in accordance with the requirements of the California Air Resources Board.

The bar graph is intended to provide you, our customer, the ability to compare the emissions performance of available engines. The lower the Air Index, the less pollution.

The durability description is intended to provide you with information relating to the engine's emission durability period. The descriptive term indicates the useful life period for the engine's emission control system. See your *Emission Control System Warranty* (see page 75) for additional information.

Descriptive Term	Applicable to Emission Durability Period
Moderate	50 hours (0–80 cc, inclusive) 125 hours (greater than 80 cc)
Intermediate	125 hours (0–80 cc, inclusive) 250 hours (greater than 80 cc)
Extended	300 hours (0–80 cc, inclusive) 500 hours (greater than 80 cc) 1,000 hours (225 cc and greater)

# TECHNICAL INFORMATION

## Specifications

### Dimensions

Model	EB2200iT
Description code	EAJT
Length	20.0 in (509 mm)
Width	11.4 in (290 mm)
Height	16.7 in (425 mm)
Dry mass [weight]	46.5 lbs (21.1 kg)

### Engine

Model	GXR120T
Engine type	4-stroke, overhead camshaft, single cylinder
Displacement [Bore × Stroke]	7.38 cu-in (121 cm <sup>3</sup> ) [2.36 × 1.69 in (60.0 × 43.0 mm)]
Compression ratio	8.5:1
Engine speed	4,000 – 4,500 rpm (with Eco Throttle switch OFF)
Cooling system	Forced air
Ignition system	Full transistor
Engine oil capacity	14 oz (0.44 L)
Fuel tank capacity	0.95 US gal (3.6 L)
Spark plug	CR5HSB (NGK)

### Generator

Model	EB2200iT	
Type	A type	
AC output	Rated Voltage	120 V
	Rated Frequency	60 Hz
	Rated Current	15 A
	Rated Output	1.8 kVA
	Maximum Output	2.2 kVA

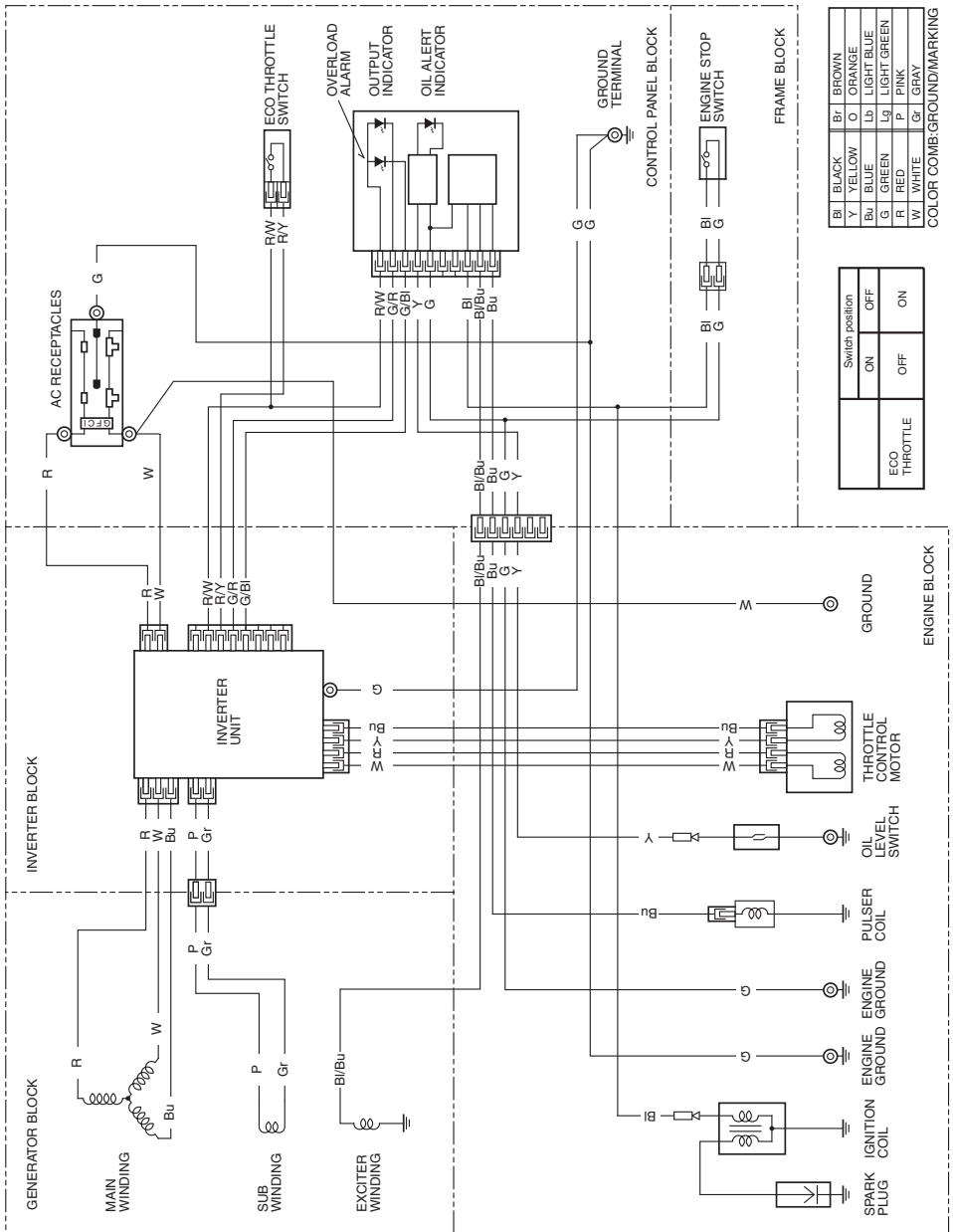
### Tune-up Specifications

ITEM	SPECIFICATION	MAINTENANCE
Spark plug gap	0.024 – 0.028 in (0.6 – 0.7 mm)	Refer to page 46.
Valve clearance (cold)	IN: 0.15 ± 0.04 mm EX: 0.20 ± 0.04 mm	See your authorized Honda dealer.
Other specifications	No other adjustments needed.	

Specifications are subject to change without notice.

# TECHNICAL INFORMATION

## Wiring Diagram



COLOR COMB:GROUND/MARKING

Bl	BLACK	Bf	BROWN
Y	YELLOW	O	ORANGE
Bu	BLUE	Lb	LIGHT BLUE
G	GREEN	Lg	LIGHT GREEN
R	RED	P	PINK
W	WHITE	Gr	GRAY

	Switch position	
	ON	OFF
ECO THROTTLE	OFF	ON

# CONSUMER INFORMATION

## Dealer Locator Information

To find an authorized Honda Servicing Dealer anywhere in the United States:

Visit our website:

<http://powerequipment.honda.com/dealer-locator>

## Honda Publications

### ***Shop Manual***

This manual covers complete maintenance and overhaul procedures. It is intended to be used by a skilled technician.

Available through your Honda dealer or visit

<http://powerequipment.honda.com/support/shop-manuals>

### ***Parts Catalog***

This manual provides complete, illustrated parts lists. Available through your Honda dealer or visit <http://peparts.honda.com>

### ***Accessories Catalog***

Your authorized Honda power equipment dealer offers a wide selection of accessories (optional equipment) to make your Generator even more useful.

Visit <http://powerequipment.honda.com/generators/accessories> and click on Generators and Welders to see the entire catalog of accessories.

## Customer Service Information

Honda Power Equipment dealership personnel are trained professionals. They should be able to answer any question you may have. If you encounter a problem that your dealer does not solve to your satisfaction, please discuss it with the dealership's management. The Service Manager or General Manager can help. Almost all problems are solved in this way.

If you are dissatisfied with the decision made by the dealership's management, contact the Honda Power Equipment Customer Relations Office. You can write to:

American Honda Motor Co., Inc.  
Power Equipment Division  
Customer Relations Office  
4900 Marconi Drive  
Alpharetta, Georgia 30005-8847

Or telephone: (770) 497-6400  
1-888-888-3139 (toll free)  
8:30 am to 7:00 pm ET

When you write or call, please give us this information:

- Model and serial numbers (see page 60)
- Name of the dealer who sold the Generator to you
- Name and address of the dealer who services your Generator
- Date of purchase
- Your name, address, and telephone number
- A detailed description of the problem

# CONSUMER INFORMATION

## Distributor's Limited Warranty

This warranty is limited to the following Honda Power Equipment products when distributed by American Honda Motor Co., Inc., Power Equipment Division, 4900 Marconi Drive, Alpharetta, Georgia 30005. The following warranty applies to products purchased at retail or placed in rental service on or after January 1, 2010.

PRODUCTS COVERED BY THIS WARRANTY	LENGTH OF WARRANTY (1) (from date of original retail purchase)	
	PRIVATE RESIDENTIAL (2)	COMMERCIAL/ RENTAL/INSTITUTIONAL
EB2800i, EG2800i	36 months	12 months
EU1000i	24 months	12 months
Generators (all others except as listed above)	36 months	36 months
The Parts & Accessories warranty is on page 73		

- (1) Length of Warranty: Batteries supplied with applicable products as standard, original equipment are covered by this warranty for a period of 12 months (private residential) or 3 months (commercial/rental/institutional use) from the date of original retail product purchase.
- (2) Private residential: Used in maintaining owner's primary and/or secondary residence. Any other use, including but not limited to informal "for hire" use, is considered commercial/rental/institutional use.

### **To Qualify for this Warranty:**

The product must be purchased in the United States, Puerto Rico, or the U.S. Virgin Islands from American Honda or a dealer authorized by American Honda to sell those products. This warranty applies to first retail purchaser and each subsequent owner during the applicable warranty time period, unless noted otherwise.

### **What American Honda will Repair or Replace Under Warranty:**

American Honda will repair or replace, at its option, any part that is proven to be defective in material or workmanship under normal use during the applicable warranty time period. Warranty repairs and replacements will be made without charge for parts or labor. Anything replaced under warranty becomes the property of American Honda Motor Co., Inc. All parts replaced under warranty will be considered as part of the original product, and any warranty on those parts will expire coincident with the original product warranty.



## CONSUMER INFORMATION

---

### ***To Obtain Warranty Service:***

You must, at your expense, take the Honda Power Equipment product, accessory, replacement part, apparel, or the power equipment on which the accessory or replacement part is installed, and proof of purchase to any Honda Power Equipment dealer in the United States, Puerto Rico, or the U.S. Virgin Islands who is authorized to sell and/or service that product, during the dealer's normal business hours.

To locate a dealer near you, visit our web site at

<http://powerequipment.honda.com> and click on Find a Dealer.

If you are unable to obtain warranty service or are dissatisfied with the warranty service you receive, contact the owner of the dealership involved; normally this will resolve the problem. However, if you should require further assistance, write or call the Power Equipment Customer Relations Department of American Honda Motor Co., Inc. at the following address:

American Honda Motor Co., Inc.  
Power Equipment Customer Relations Dept.  
4900 Marconi Drive  
Alpharetta, GA 30005-8847 Telephone: (770) 497-6400

# CONSUMER INFORMATION

---

## ***Exclusions:***

1. Any damage or deterioration resulting from the following:
  - Neglect of the periodic maintenance as specified in the product owner's manual
  - Improper repair or maintenance
  - Operating methods other than those indicated in the product owner's manual
  - Increasing engine speed beyond factory specification
  - The use of non-genuine Honda parts, accessories, lubricants, and fluids other than those approved by Honda
  - Exposure of the product to soot and smoke, chemical agents, bird droppings, sea water, salt, or other corrosive environments
  - Collision, fuel contamination or deterioration, neglect, unauthorized alteration, misuse, incorporation or use of unsuitable attachments or parts
  - Normal wear and tear (including, but not limited to, normal fading of painted or plated surfaces, sheet peeling, and other natural deterioration)
2. Consumable parts: Honda does not warrant parts deterioration due to normal wear and tear. The following parts are not covered by this warranty unless they are needed during another repair covered under this warranty: spark plug, fuel filter, air cleaner element, clutch disc, tire, wheel bearing, recoil starter rope, cable, belt, cutter blade, oil, and grease.
3. Cleaning, adjustment, and normal periodic maintenance work (carburetor cleaning, engine oil draining, blade sharpening, belt and cable adjustments).
4. Any product that has ever been declared a total loss or sold for salvage by a financial institution or insurer.
5. Auger and paddle assemblies, skid shoes, and scraper bars of snow throwers/snow blowers, tiller tines of roto-tillers, and mower blades and mower deck housings are specifically not warranted against impact damage including, but not limited to, abrasive damage.

## ***Disclaimer of Consequential Damage and Limitation of Implied Warranties:***

American Honda disclaims any responsibility for loss of time or use of the product, transportation, commercial loss, or any other incidental or consequential damage. Any implied warranties are limited to the duration of this written limited warranty. Some states do not allow limitations on how long an implied warranty lasts and/or do not allow the exclusion or limitation of incidental or consequential damages, therefore the above exclusions and limitations may not apply to you. This warranty gives you specific legal rights, and you may also have other rights, which vary from state to state.

# CONSUMER INFORMATION

## Honda Parts, Accessories, and Apparel

This warranty is limited to Honda Power Equipment parts, accessories, and apparel when distributed by American Honda Motor Co., Inc., 4900 Marconi Drive, Alpharetta, Georgia 30005-8847.

PRODUCTS COVERED BY WARRANTY	LENGTH OF WARRANTY (from date of original retail purchase)	
	PRIVATE RESIDENTIAL	COMMERCIAL/ RENTAL/INSTITUTIONAL
Accessories	12 months	3 months
Parts	6 months	3 months
Apparel	6 months	3 months

### ***To Qualify for This Warranty:***

1. The parts, accessories, or apparel must be purchased from American Honda or a dealer authorized by American Honda to sell those products in the United States, Puerto Rico, and the U.S. Virgin Islands. Parts and accessories must be purchased for installation on original Honda equipment or engines to be eligible for warranty coverage. Installing parts and accessories on non-Honda products or engines voids this warranty.
2. You must be the first retail purchaser. This warranty is not transferable to subsequent owners.

### ***What American Honda Will Repair or Replace Under Warranty:***

American Honda will repair or replace, at its option, any Honda Power Equipment parts, accessories, or apparel that are proven to be defective in material or workmanship under normal use during the applicable warranty time period. Anything replaced under warranty becomes the property of American Honda Motor Co., Inc. The warranty on all parts, accessories, and apparel replaced under warranty will expire coincident with the original warranty on the replaced parts, accessories, or apparel.

Parts and accessories installed by a dealer who is authorized by American Honda to sell them will be repaired or replaced under warranty without charge for parts or labor. If installed by anyone else, parts and accessories will be repaired or replaced under warranty without charge for parts, but any labor charges will be the responsibility of the purchaser.

Apparel will be repaired or replaced under warranty without any charge.

## CONSUMER INFORMATION

---

### ***To Obtain Warranty Service:***

You must, at your expense, take the Honda Power Equipment part, accessory, or apparel, or the Honda Power Equipment on which the accessory or part is installed, and proof of purchase to any Honda Power Equipment dealer in the United States, Puerto Rico, or the U.S. Virgin Islands who is authorized to sell that product, during the dealer's normal business hours.

To locate a dealer near you, go to our web site at

<http://PowerEquipment.Honda.com> and click on Find a Dealer.

If you are unable to obtain warranty service or are dissatisfied with the warranty service you receive, contact the owner of the dealership involved; normally this will resolve the problem. However, if you should require further assistance, write or call the Power Equipment Customer Relations Department of American Honda Motor Co., Inc. Refer to page 71 for contact information.

### ***Exclusions:***

This warranty does not extend to parts, accessories, or apparel affected or damaged by collision, normal wear, use in an application for which the product was not designed, or any other misuse, neglect, incorporation or use of unsuitable attachments or parts, unauthorized alteration, improper installation, or any causes other than defects in material or workmanship of the product. Installing parts and accessories on non-Honda products or engines voids this warranty.

### ***Disclaimer of Consequential Damage and Limitation of Implied Warranties:***

American Honda disclaims any responsibility for loss of time or use of the product, or the power equipment on which the product is installed, transportation, commercial loss, or any other incidental or consequential damage. Any implied warranties are limited to the duration of this written warranty. Some states do not allow limitations on how long an implied warranty lasts and/or do not allow the exclusion or limitation of incidental or consequential damages, so the above exclusions and limitations may not apply to you. This warranty gives you specific legal rights, and you may also have other rights, which vary from state to state.

## **Emission Control System Warranty**

Your new Honda Power Equipment engine complies with the U.S. EPA, Environment Canada, and State of California (models certified for sale in California only) emission regulations. American Honda Motor Co., Inc. provides the emission warranty coverage for engines in the United States and its territories. Honda Canada Inc. provides the emission warranty for engines in the 13 provinces and territories of Canada. In the remainder of this Emission Control System Warranty, American Honda Motor Co., Inc. and Honda Canada Inc. will be referred to as Honda.

### ***Your Warranty Rights and Obligations***

#### ***California***

The California Air Resources Board and Honda are pleased to explain the emission control system warranty on your 2017 and later Honda Power Equipment engine. In California, new spark-ignited small off-road equipment engines must be designed, built, and equipped to meet the State's stringent anti-smog standards. Specific Honda products that do not meet the California emissions regulations can be identified by a "Not for sale in California" decal.

#### ***Other States, U.S. territories, and Canada***

In other areas of the United States and in Canada, your engine must be designed, built, and equipped to meet the U.S. EPA and Environment Canada emission standards for spark-ignited engines at or below 19 kilowatts.

#### ***All of the United States and Canada***

Honda must warrant the emission control system on your power equipment engine for the period of time listed below, provided there has been no abuse, neglect, or improper maintenance of your power equipment engine. Where a warrantable condition exists, Honda will repair your power equipment engine at no cost to you including diagnosis, parts, and labor.

Your emission control system may include such parts as the carburetor or fuel injection system, the ignition system, and catalytic converter. Also included may be hoses, connectors, and other emission-related assemblies (see page 79 for additional covered parts).

# CONSUMER INFORMATION

---

## *Owner's Warranty Responsibility*

As the power equipment engine owner, you are responsible for completing all required maintenance listed in your owner's manual. Honda recommends that you retain all receipts covering maintenance on your power equipment engine, but Honda cannot deny warranty coverage solely for the lack of receipts or for your failure to ensure that all scheduled maintenance has been completed.

As the power equipment engine owner, you should however be aware Honda may deny you warranty coverage if your power equipment engine or a part has failed due to abuse, neglect, improper maintenance, or unapproved modifications.

You are responsible for presenting your power equipment engine to a Honda Power Equipment dealer as soon as a problem exists. The emission related warranty repairs should be completed in a reasonable amount of time, not to exceed 30 days.

If you have any questions regarding your emission warranty rights and responsibilities, you should contact the Honda office in your region:

American Honda Motor Co., Inc.  
Power Equipment Customer  
Relations  
4900 Marconi Drive  
Alpharetta, Georgia 30005-8847  
Telephone: (888) 888-3139  
Email: [powerequipmentemissions@ahm.honda.com](mailto:powerequipmentemissions@ahm.honda.com)

Honda Canada Inc.  
Power Equipment  
Customer Relations  
or 180 Honda Blvd,  
Markham, ON L6C 0H9  
Telephone: (888) 946-6329

## **Warranty Coverage**

Honda power equipment engines sold in the United States and Canada are covered by this warranty for a period of two years from the date of delivery to the original retail purchaser or the length of the *Honda Distributor's Limited Warranty*, whichever is longer. This warranty is transferable to each subsequent purchaser for the duration of the warranty period.

If any emission-related part on your engine is defective, the part will be repaired or replaced by Honda without charge for diagnosis, parts, or labor. All defective parts replaced under this warranty become the property of Honda. Only Honda-approved replacement parts may be used in the performance of any warranty repairs and must be provided without charge to the owner. A list of warranted parts is on page 79. Normal maintenance items, such as spark plugs and filters, that are on the warranted parts list are warranted up to their required replacement interval only.

Honda will also replace other engine components damaged by a failure of any warranted part during the warranty period.

The use of replacement parts not equivalent to the original parts may impair the effectiveness of your engine emission control system. If such a replacement part is used in the repair or maintenance of your engine, and an authorized Honda dealer determines it is defective or causes a failure of a warranted part, your claim for repair of your engine may be denied. If the part in question is not related to the reason your engine requires repair, your claim will not be denied.

# CONSUMER INFORMATION

---

## To Obtain Warranty Service

You must, at your own expense, take your Honda Power Equipment engine or the product on which it is installed, along with your sales registration card or other proof of original purchase date, to any Honda Power Equipment dealer who is authorized by Honda to sell and service that Honda product during their normal business hours. Claims for repair or adjustment found to be caused solely by defects in material or workmanship will not be denied because the engine was not properly maintained and used.

If you are unable to obtain emission warranty service or are dissatisfied with the warranty service you received, contact the owner of the dealership involved. Normally this should resolve your problem. However, if you require further assistance, contact the Honda office in your region:

American Honda Motor Co., Inc.  
Power Equipment Customer  
Relations  
4900 Marconi Drive  
Alpharetta, Georgia 30005-8847  
Telephone: (888) 888-3139  
Email: [powerequipmentemissions@ahm.honda.com](mailto:powerequipmentemissions@ahm.honda.com)

Honda Canada Inc.  
Power Equipment  
Customer Relations  
or 180 Honda Blvd,  
Markham, ON L6C 0H9  
Telephone: (888) 946-6329

## Exclusions

Failures other than those resulting from defects in material or workmanship are not covered by this warranty. This warranty does not extend to emission control systems or parts that are affected or damaged by owner abuse, neglect, improper maintenance, misuse, misfueling, improper storage, collision, the incorporation of, or use of, unsuitable attachments, or the unauthorized alteration of any part. This warranty does not cover replacement of expendable maintenance items made in connection with required maintenance service after the item's first scheduled replacement as listed in the maintenance section of the product owner's manual, such as: spark plugs and filters.



# CONSUMER INFORMATION

## ***Disclaimer of Consequential Damage and Limitation of Implied Warranties***

American Honda Motor Co., Inc. and Honda Canada Inc. disclaim any responsibility for incidental or consequential damages such as loss of time or the use of the power equipment, or any commercial loss due to the failure of the equipment; and any implied warranties are limited to the duration of this written warranty. This warranty is applicable only where the California, U.S. EPA, or Environment Canada emission control system warranty regulation is in effect.

## ***Emission Control System Warranty Parts***

<b>SYSTEMS COVERED BY THIS WARRANTY:</b>	<b>PARTS DESCRIPTION:</b>
Fuel Metering	Carburetor assembly (includes starting enrichment system), Oxygen sensor, Throttle body, Engine temperature sensor, Engine control module, Fuel injector, Fuel regulator, Intake manifold
Evaporative	Fuel tank, Fuel cap, Fuel hoses, Vapor hoses, Carbon canister, Canister mounting brackets, Fuel strainer, Fuel valve, Fuel pump, Fuel hose joint, Canister purge hose joint
Exhaust	Catalyst, Exhaust pipe, Muffler (with catalyst)
Air Induction	Air cleaner case, Air cleaner element*
Ignition	Flywheel comp., Flywheel magneto, Ignition pulse generator, Crankshaft position sensor, Power coil, Ignition coil assembly, Ignition control module, Spark plug cap, Spark plug*
Crankcase Emission Control	Crankcase breather tube, Breather valve assembly, Oil filler cap
Miscellaneous Parts	Tubing, fittings, seals, gaskets, and clamps associated with these listed systems.

Note: This list applies to parts supplied by Honda and does not cover parts supplied by the equipment manufacturer. Please see the original equipment manufacturer's emissions warranty for non-Honda parts.

\* Covered up to the first required replacement only.

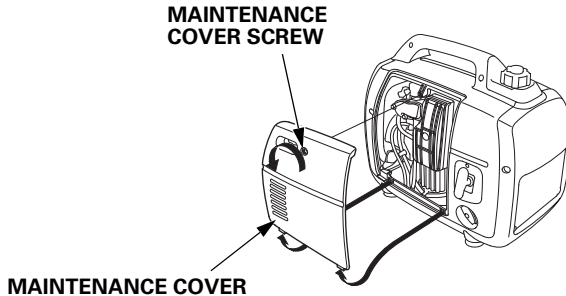
See the *MAINTENANCE SCHEDULE* on page 37.

# INITIAL USE INSTRUCTIONS

## ENGINE OIL

The generator is shipped **WITHOUT OIL** in the engine.

1. Place the generator on a level surface.
2. Loosen the maintenance cover screw and remove the maintenance cover.

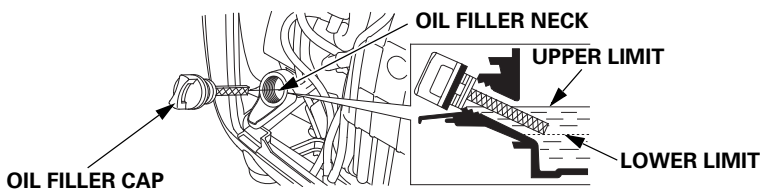


3. With the generator in a level position, remove the oil filler cap.
4. Add enough SAE 10W-30 API service category SJ or later (or equivalent) oil to bring the oil level to the upper limit of the oil filler neck. SAE 10W-30 oil is recommended for general use; for additional recommendations, see page 42.

**Maximum oil capacity:** 14 oz (0.44 L)

**Do not overfill the engine with oil.** If the engine is overfilled, the excess oil may be transferred to the air cleaner case and air filters.

5. Screw in the oil filler cap securely.



6. Reinstall the maintenance cover and tighten the maintenance cover screw securely.

# INITIAL USE INSTRUCTIONS

## FUEL

Add fuel to the generator in a well-ventilated area. Never refuel the engine inside a building where gasoline fumes may reach flames or sparks. Keep gasoline away from appliance pilot lights, barbecues, electric appliances, power tools, etc. Spilled fuel is not only a fire hazard, it causes environmental damage. Wipe up spills immediately.

This engine is certified to operate on unleaded gasoline with a pump octane rating of 86 or higher. Refer to page 39 for additional fuel recommendations.

### **⚠ WARNING**

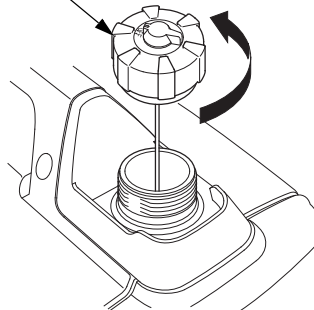
Gasoline is highly flammable and explosive.

You can be burned or seriously injured when handling fuel.

- Stop the engine and let it cool before handling fuel.
- Keep heat, sparks, and flame away.
- Handle fuel only outdoors.
- Wipe up spills immediately.

1. Remove the fuel filler cap.

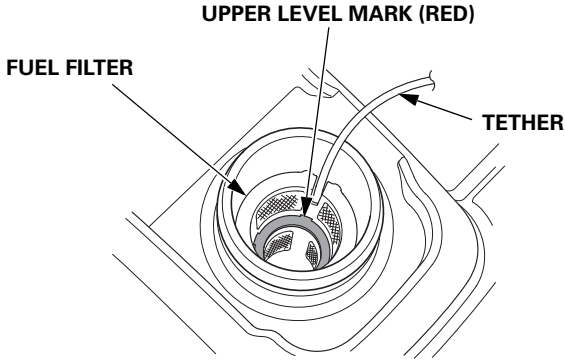
FUEL FILLER CAP



# INITIAL USE INSTRUCTIONS

---

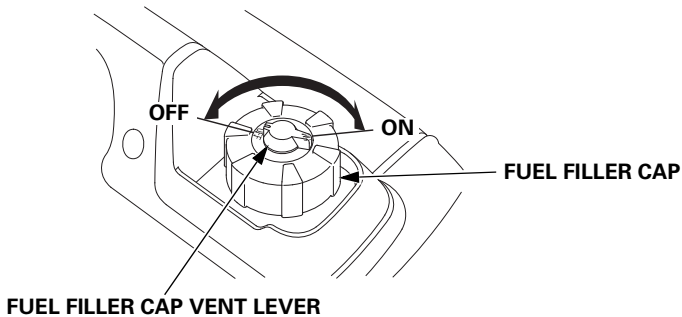
2. Add fuel carefully to avoid spilling fuel. Do not fill the fuel tank above the upper level mark (red) on the fuel filter.



## NOTICE

*Fuel can damage paint and plastic. Be careful not to spill fuel when filling your fuel tank. Damage caused by spilled fuel is not covered under the Distributor's Limited Warranty.*

3. After refueling, tighten the fuel filler cap until it clicks. Keep the fuel filler cap vent lever OFF for storage or transport, and ON to run the generator.



Move the generator at least 10 feet (3 meters) away from the fueling source and site before starting the engine.

After initial fueling (or anytime the generator is run completely out of fuel), starting the engine may require additional pulls of the starter grip. This generator utilizes a vacuum operated fuel pump and may require additional pulls to draw fuel into the carburetor.

# INITIAL USE INSTRUCTIONS

---

## BEFORE OPERATION

Before using the generator, all generator operators must read the following chapters and sections:

- **GENERATOR SAFETY** (see pages 6–9)
- **CONTROLS & FEATURES** (see pages 10–19)
- **BEFORE OPERATION** (see pages 20–21)
- **OPERATION** (see page 22)
- **STARTING THE ENGINE** (see pages 23–25)
- **STOPPING THE ENGINE** (see page 26)
- **MAINTENANCE SCHEDULE** (see page 37)

## REGISTRATION

### **Please Register Your Generator**

If your dealer did not collect registration information from you, please take a few minutes and register your purchase with Honda. This allows us to contact you with any important updates regarding your generator. Please note registration is not required to obtain warranty service. You can register your generator by visiting the Honda Power Equipment website, <http://powerequipment.honda.com> and selecting Product Registration. Your information will remain confidential. It will not be released to any other company or organization.

# INDEX

<b>A</b>	
AC Applications .....	32
AC OPERATION.....	30
AIR CLEANER SERVICE .....	43
Air Index .....	65
ARE YOU READY TO GET STARTED?.....	20
<b>B</b>	
BEFORE OPERATION.....	20, 83
<b>C</b>	
Carbon Monoxide Hazards .....	6
Carburetor Modification for High Altitude Operation.....	61
Check the Engine .....	21
Check the GFCI.....	21
Choke Lever.....	13
Cleaning.....	50
COMPONENT & CONTROL LOCATIONS.....	10
Connections to a Building's Electrical System.....	34
CONSUMER INFORMATION.....	68
CONTENTS.....	3
CONTROLS.....	12
CONTROLS & FEATURES .....	10
Customer Service Information .....	69
<b>D</b>	
Dealer Locator Information.....	68
Distributor's Limited Warranty .....	70

<b>E</b>	
Eco Throttle <sup>®</sup> Switch .....	14
ECO THROTTLE <sup>®</sup> SYSTEM .....	33
Electric Shock Hazards .....	7
Emission Control System Information.....	62
Emission Control System Warranty.....	75
Engine Cylinder.....	54
ENGINE LACKS POWER.....	58
Engine Oil .....	54, 80
ENGINE OIL CHANGE.....	41
ENGINE OIL LEVEL CHECK .....	40
ENGINE OIL RECOMMENDATIONS .....	42
Engine Switch .....	12
ENGINE WILL NOT START.....	57
<b>F</b>	
FEATURES.....	16
Fire and Burn Hazards .....	7
Fuel .....	50, 81
Fuel Filler Cap Vent Lever .....	13
FUEL OFF Position.....	13
FUEL RECOMMENDATIONS.....	39
<b>G</b>	
GENERATOR SAFETY .....	6
GFCI OPERATION CHECK .....	27
Ground Fault Circuit Interrupter (GFCI) Receptacle.....	15
Ground Terminal .....	16
<b>H</b>	
Honda Parts, Accessories, and Apparel.....	73
Honda Publications.....	68
<b>I</b>	
IMPORTANT SAFETY INFORMATION .....	6
INITIAL USE INSTRUCTIONS .....	80
IS YOUR GENERATOR READY TO GO?.....	20

# INDEX

---

<b>K</b>	
Knowledge .....	20
<b>L</b>	
LED Light Patterns .....	19
<b>M</b>	
MAIN AND OUTER FILTERS CLEANING.....	45
MAINTENANCE SAFETY.....	36
MAINTENANCE SCHEDULE .....	37
<b>N</b>	
NO POWER AT THE AC RECEPTACLES.....	59
<b>O</b>	
Oil Alert <sup>®</sup> Indicator .....	18
OPERATION.....	22
Operator Responsibility .....	6
Overload Alarm (Indicator) .....	18
Output Indicator.....	17
<b>Q</b>	
QUICK REFERENCE INFORMATION.....	Inside back cover
<b>R</b>	
REFUELING .....	38
Refuel With Care.....	7
REGISTRATION.....	83
REMOVAL FROM STORAGE.....	55



<b>S</b>	
SAFE OPERATING PRECAUTIONS.....	22
SAFETY LABEL LOCATIONS.....	8
Safety Precautions.....	36
Serial Number Location .....	60
SERVICING YOUR GENERATOR .....	35
SPARK ARRESTER SERVICE.....	48
SPARK PLUG SERVICE.....	46
Special Requirements .....	34
Specifications.....	66
STANDBY POWER.....	34
Starter Grip.....	12
STARTING THE ENGINE .....	23
STOPPING THE ENGINE .....	26
STORAGE .....	50
STORAGE PRECAUTIONS .....	55
STORAGE PREPARATION.....	50
System Ground.....	34
<b>T</b>	
TAKING CARE OF UNEXPECTED PROBLEMS .....	57
TECHNICAL INFORMATION.....	60
THE IMPORTANCE OF MAINTENANCE.....	35
TRANSPORTING .....	56
<b>W</b>	
Wiring Diagram.....	67

---

**MEMO**

# QUICK REFERENCE INFORMATION

Fuel	Type	Regular unleaded gasoline with an ethanol content of no more than 10% and a pump octane rating of 86 or higher (see page 39)
Engine Oil	Type	SAE 10W-30, API SJ or later (or equivalent), for general use (see page 42) Maximum oil capacity: 14 oz (0.44 L)
Spark Plug	Type	NGK: CR5HSB
	Electrode Gap	0.024–0.028 in (0.6–0.7 mm)
Maintenance	Before each use	Check engine oil level. Check air filters. Check GFCI operation.
	First 20 hours	Change engine oil.
	Subsequent	See <i>MAINTENANCE SCHEDULE</i> (see page 37)

# HONDA

31Z44800  
00X31-Z44-8000



Printed in Thailand

## Free Manuals Download Website

<http://myh66.com>

<http://usermanuals.us>

<http://www.somanuals.com>

<http://www.4manuals.cc>

<http://www.manual-lib.com>

<http://www.404manual.com>

<http://www.luxmanual.com>

<http://aubethermostatmanual.com>

Golf course search by state

<http://golfingnear.com>

Email search by domain

<http://emailbydomain.com>

Auto manuals search

<http://auto.somanuals.com>

TV manuals search

<http://tv.somanuals.com>