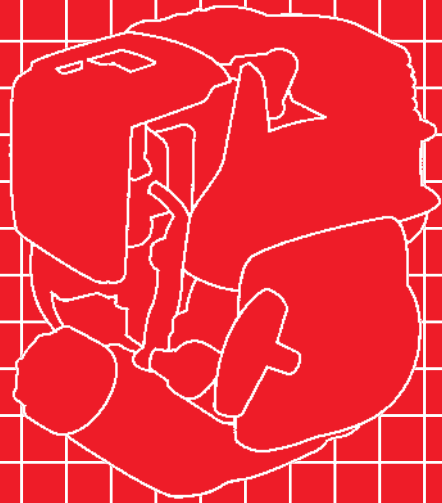


HONDA
ENGINES

Owner's Manual
GX22•GX31





WARNING:



The engine exhaust from this product contains chemicals known to the State of California to cause cancer, birth defects or other reproductive harm.

Keep this owner's manual handy, so you can refer to it at any time. This owner's manual is considered a permanent part of the engine and should remain with the engine if resold.

The information and specifications included in this publication were in effect at the time of approval for printing. Honda Motor Co., Ltd. reserves the right, however, to discontinue or change specifications or design at any time without notice and without incurring any obligation whatever. No part of this publication may be reproduced without written permission.

INTRODUCTION

Congratulations on your selection of a Honda engine. We are certain you will be pleased with your purchase of one of the finest engines on the market.

We want to help you get the best results from your new engine and to operate it safely. This manual contains the information on how to do that; please read it carefully.

As you read this manual, you will find information preceded by a **NOTICE** symbol. That information is intended to help you avoid damage to your engine, other property, or the environment.

We suggest you read the warranty policy to fully understand its coverage and your responsibilities of ownership. The warranty policy is a separate document that should have been given to you by your dealer.

When your engine needs scheduled maintenance, keep in mind that your Honda servicing dealer is specially trained in servicing Honda engines. Your Honda servicing dealer is dedicated to your satisfaction and will be pleased to answer your questions and concerns.

These engines are emissions-certified for use in handheld equipment. They can only be used to power products that are defined by the California Air Resources Board and the U.S. EPA as handheld.

Best Wishes,
Honda Motor Co., Ltd.

INTRODUCTION


A FEW WORDS ABOUT SAFETY

Your safety and the safety of others are very important. And using this engine safely is an important responsibility.


To help you make informed decisions about safety, we have provided operating procedures and other information on labels and in this manual. This information alerts you to potential hazards that could hurt you or others.


Of course, it is not practical or possible to warn you about all the hazards associated with operating or maintaining an engine. You must use your own good judgment.


You will find important safety information in a variety of forms, including:

- **Safety Messages** —preceded by a safety alert symbol  and one of three signal words, DANGER, WARNING, or CAUTION.

These signal words mean:

 **DANGER** You **WILL** be **KILLED** or **SERIOUSLY HURT** if you don't follow instructions.

 **WARNING** You **CAN** be **KILLED** or **SERIOUSLY HURT** if you don't follow instructions.

 **CAUTION** You **CAN** be **HURT** if you don't follow instructions.

- **Safety Headings** —such as *IMPORTANT SAFETY INFORMATION*.
- **Safety Section** —such as *ENGINE SAFETY*.
- **Instructions** —how to use this engine correctly and safely.

This entire book is filled with important safety information —please read it carefully.

CONTENTS

ENGINE SAFETY	5
IMPORTANT SAFETY INFORMATION	5
CONTROLS & FEATURES	7
COMPONENT & CONTROL LOCATIONS	7
CONTROLS	8
Choke Lever	8
Throttle Lever	9
Recoil Starter Grip	10
FEATURES	11
Centrifugal Clutch	11
BEFORE OPERATION	12
IS YOUR ENGINE READY TO GO?	12
Check the General Condition of the Engine	12
Check the Engine	13
Check the Equipment Powered by This Engine	13
OPERATION	14
SAFE OPERATING PRECAUTIONS	14
STARTING THE ENGINE	14
Hot Restart	16
STOPPING THE ENGINE	17
SETTING ENGINE SPEED	18
SERVICING YOUR HONDA ENGINE	19
THE IMPORTANCE OF MAINTENANCE	19
MAINTENANCE SAFETY	20
MAINTENANCE SCHEDULE	21
REFUELING	22
FUEL RECOMMENDATIONS	23
ENGINE OIL LEVEL CHECK	24
ENGINE OIL CHANGE	26
ENGINE OIL RECOMMENDATIONS	28
AIR FILTER INSPECTION	29
AIR FILTER CLEANING	30
SPARK PLUG SERVICE	31
COOLING FIN INSPECTION	33
FUEL FILTER INSPECTION and FUEL TANK CLEANING	34
SPARK ARRESTER SERVICE	36

CONTENTS

HELPFUL TIPS & SUGGESTIONS	40
STORING YOUR ENGINE	40
Storage Preparation	40
Storage Precautions	43
Removal From Storage	43
TRANSPORTING	44
TAKING CARE OF UNEXPECTED PROBLEMS	45
ENGINE WILL NOT START	45
ENGINE LACKS POWER	45
TECHNICAL & CONSUMER INFORMATION	46
TECHNICAL INFORMATION	46
Serial Number Location	46
Remote Control Linkage	47
Carburetor Modification for High Altitude Operation	48
Oxygenated Fuels	49
Emission Control System Information	50
Air Index	52
Specifications	53
Wiring Diagram	54
CONSUMER INFORMATION	55
Honda Publications	55
Warranty Service Information	56
QUICK REFERENCE INFORMATION	Inside back cover

ENGINE SAFETY

IMPORTANT SAFETY INFORMATION

Most accidents with engines can be prevented if you follow all instructions in this manual and on the engine. Some of the most common hazards are discussed below, along with the best way to protect yourself and others.

Owner Responsibilities

- Honda engines are designed to give safe and dependable service if operated according to instructions. Read and understand this owner's manual before operating the engine. Failure to do so could result in personal injury or equipment damage.
- Know how to stop the engine quickly, and understand the operation of all controls. Never permit anyone to operate the engine without proper instructions.
- Do not allow children to operate the engine. Keep children and pets away from the area of operation.

Refuel With Care

Gasoline is extremely flammable, and gasoline vapor can explode. Refuel outdoors, in a well-ventilated area, with the engine stopped. Never smoke near gasoline, and keep other flames and sparks away. Always store gasoline in an approved container. If any fuel is spilled, make sure the area is dry before starting the engine.

ENGINE SAFETY

Hot Exhaust

The muffler becomes very hot during operation and remains hot for a while after stopping the engine. Be careful not to touch the muffler while it is hot. Let the engine cool before storing it indoors.

Carbon Monoxide Hazard

Exhaust gas contains poisonous carbon monoxide. Avoid inhalation of exhaust gas. Never run the engine in a closed garage or confined area.

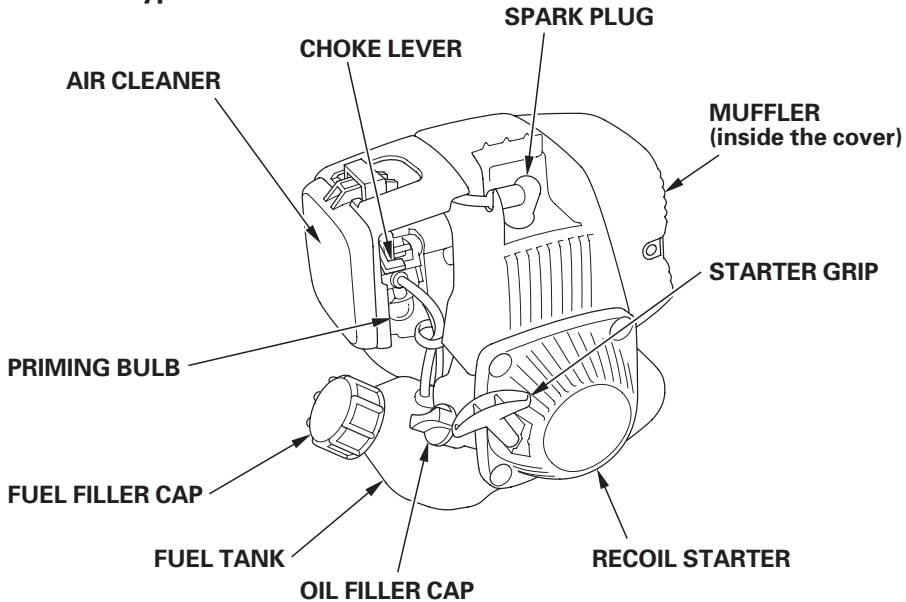
Other Equipment

Review the instructions provided with the equipment powered by this engine for any additional safety precautions that should be observed in conjunction with engine startup, shutdown, operation, or protective apparel that may be needed to operate the equipment.

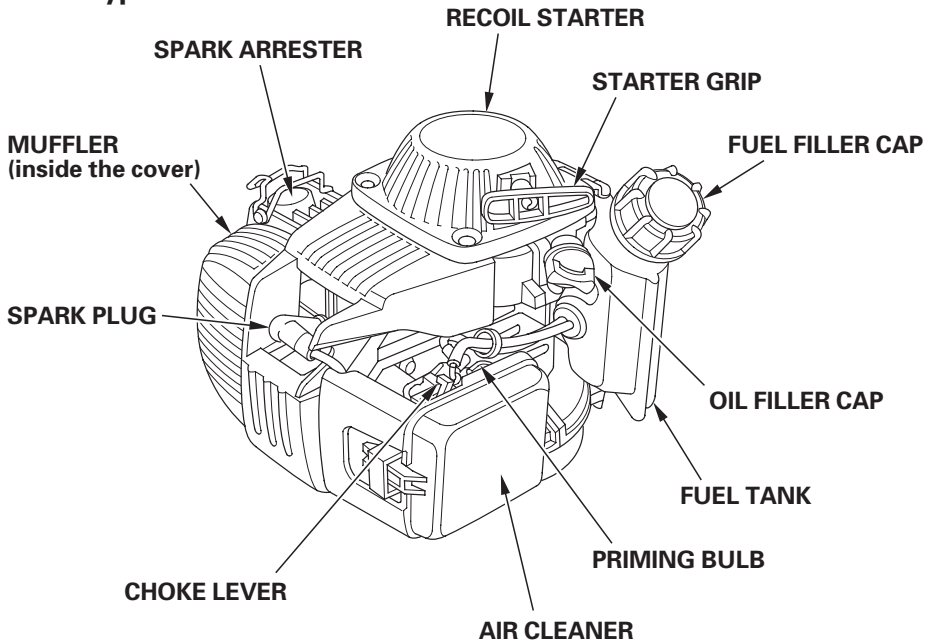
CONTROLS & FEATURES

COMPONENT & CONTROL LOCATIONS

Horizontal type:



Vertical type:



CONTROLS & FEATURES

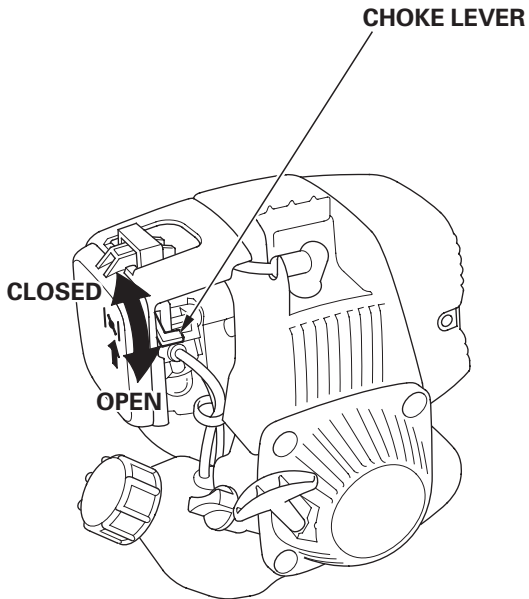
CONTROLS

Choke Lever

The choke lever opens and closes the choke valve in the carburetor.

The CLOSED position enriches the fuel mixture for starting a cold engine.

The OPEN position provides the correct fuel mixture for operation after starting, and for restarting a warm engine.



CONTROLS & FEATURES

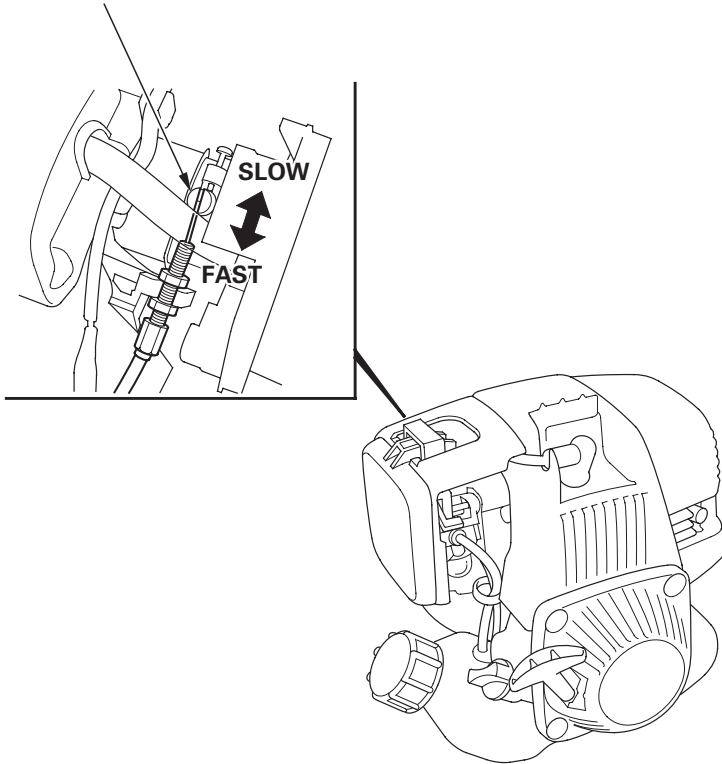
Throttle Lever

The throttle lever controls engine speed.

Moving the throttle lever in the directions shown makes the engine run faster or slower.

The throttle lever shown here will be connected to a remote control on the equipment powered by this engine. Refer to the instructions provided with that equipment for remote control information.

THROTTLE LEVER

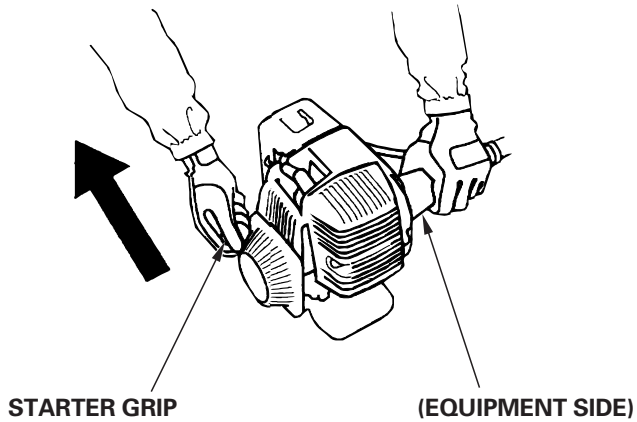


CONTROLS & FEATURES

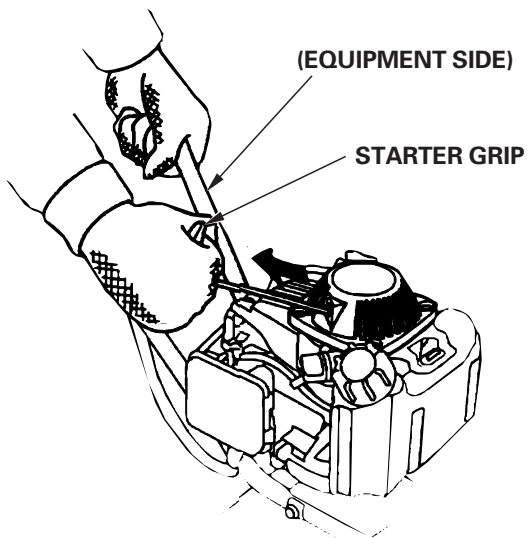
Recoil Starter Grip

Pulling the starter grip operates the recoil starter to crank the engine.

Horizontal type:



Vertical type:



FEATURES

Centrifugal Clutch

The centrifugal clutch automatically engages and transmits power when engine speed is increased above approximately 4,000 rpm. At idle speed, the clutch is disengaged.

NOTICE

Do not run the engine without mounting it on equipment that includes the centrifugal clutch drum and housing, or centrifugal force will cause the clutch shoes to contact and damage the engine case.

BEFORE OPERATION

IS YOUR ENGINE READY TO GO?

For your safety, and to maximize the service life of your equipment, it is very important to take a few moments before you operate the engine to check its condition. Be sure to take care of any problem you find, or have your servicing dealer correct it, before you operate the engine.

⚠ WARNING

Improperly maintaining this engine, or failing to correct a problem before operation, could cause a malfunction in which you could be seriously injured.

Always perform a preoperation inspection before each operation, and correct any problem.

Before beginning your preoperation checks, be sure the engine is level and the ignition switch on the equipment is in the OFF position.

Check the General Condition of the Engine

- Look around and underneath the engine for signs of oil or gasoline leaks.
- Remove any excessive dirt or debris, especially around the muffler and recoil starter.
- Look for signs of damage.
- Check that all shields and covers are in place, and all nuts, bolts, and screws are tightened.

Check the Engine

- Check the engine oil level (see page 24). Running the engine with a low oil level can cause engine damage.
- Check the air filter (see page 29). A dirty air filter will restrict air flow to the carburetor, reducing engine performance.
- Check that all nuts, bolts, and screws are tightened.
- Check the fuel level. Starting with a full tank will help to eliminate or reduce operating interruptions for refueling.

Check the Equipment Powered by This Engine

Review the instructions provided with the equipment powered by this engine for any precautions and procedures that should be followed before engine startup.

OPERATION

SAFE OPERATING PRECAUTIONS

Before operating the engine for the first time, please review the *IMPORTANT SAFETY INFORMATION* on page 5 and the chapter titled *BEFORE OPERATION*.

⚠ WARNING

Carbon monoxide gas is toxic.
Breathing it can cause
unconsciousness and even kill you.

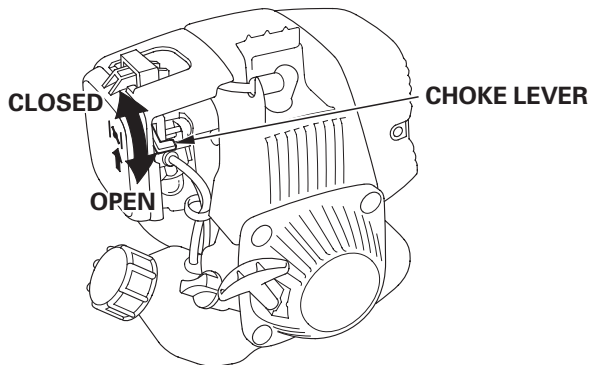
Avoid any areas or actions that
expose you to carbon monoxide.

Review the instructions provided with the equipment powered by this engine for any safety precautions that should be observed in conjunction with engine startup, shutdown, or operation.

STARTING THE ENGINE

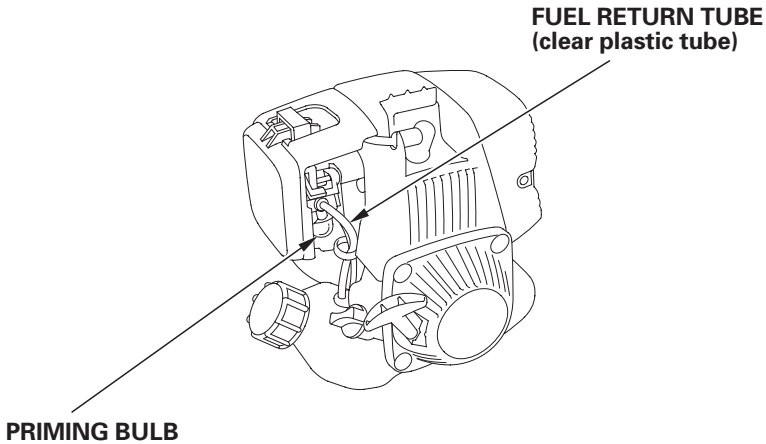
1. To start a cold engine, move the choke lever to the CLOSED position.

To restart a warm engine, leave the choke lever in the OPEN position.



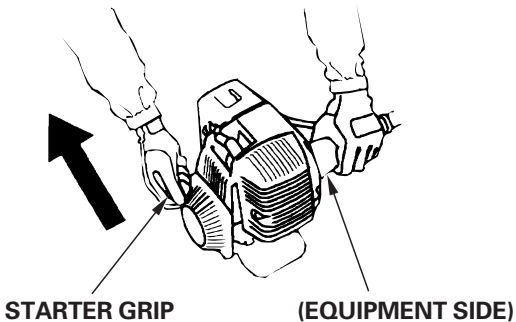
OPERATION

2. Press the priming bulb repeatedly until fuel can be seen in the clear-plastic fuel-return tube.

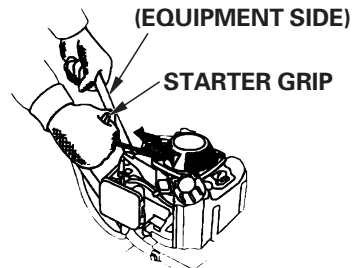


3. Turn the ignition switch to the ON position.
4. Pull the starter grip lightly until you feel resistance, then pull briskly. Return the starter grip gently.

Horizontal type:

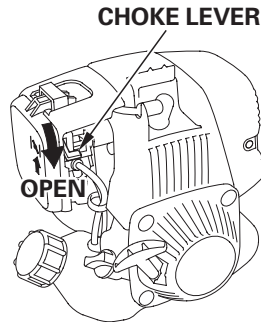


Vertical type:



OPERATION

5. If the choke lever was moved to the CLOSED position to start the engine, gradually move it to the OPEN position as the engine warms up.



Hot Restart

If the engine is operated at higher ambient temperatures then turned off and allowed to sit for a short time, it may not restart on the first pull.

If necessary, use the following procedure:

The ignition switch and the throttle lever are located on the equipment not on the engine.

IMPORTANT SAFETY PRECAUTION

Turn the ignition switch to the OFF position before performing the following procedure. This will prevent the engine from starting and running at maximum speed when the throttle is in the full throttle position. If the engine starts, with the throttle in the full throttle position, the equipment can move forward rapidly or the trimmer attachment can spin at maximum speed. This may result in personal injury.

1. Turn the ignition switch to the OFF position.
2. Move the choke lever to the OPEN position.
3. Hold the throttle lever in the full throttle position.
4. Pull the starter grip 3 to 5 times.
5. Follow the STARTING THE ENGINE procedure on page 14 and start the engine with the choke lever in the OPEN position.

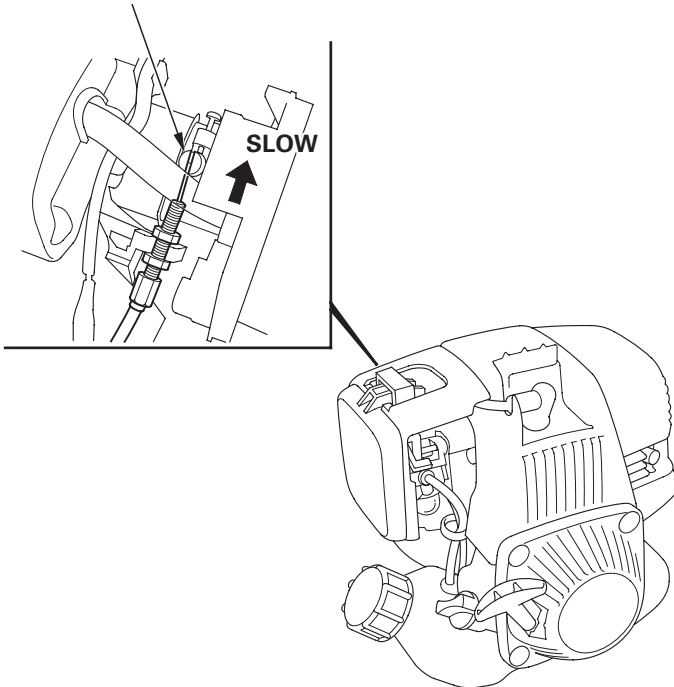
STOPPING THE ENGINE

To stop the engine in an emergency, simply turn the ignition switch on the equipment to the OFF position. Under normal conditions, use the following procedure.

1. Move the throttle lever to the SLOW position.

The throttle lever shown here will be connected to a remote control on the equipment powered by this engine. Refer to the instructions provided with that equipment for remote control information.

THROTTLE LEVER



2. Turn the ignition switch on the equipment to the OFF position.

OPERATION

SETTING ENGINE SPEED

Position the throttle lever for the desired engine speed.

The throttle lever shown here will be connected to a remote control on the equipment powered by this engine. Refer to the instructions provided with that equipment for remote control information and for engine speed recommendations.

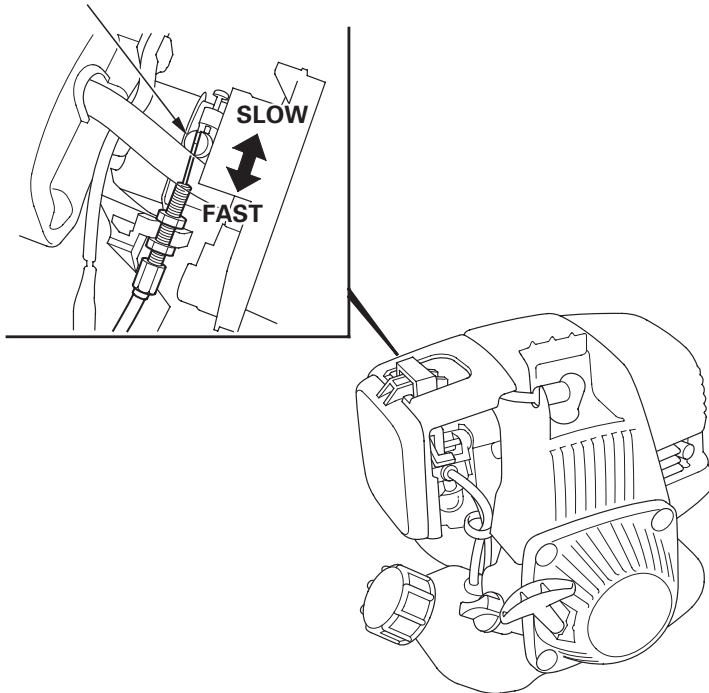
For engine speed recommendations, refer to the instructions provided with the equipment powered by this engine.

NOTICE

Be careful not to increase engine speed above 8,500 rpm for the vertical type engine.

Be careful not to increase engine speed above 10,000 rpm for the horizontal type engine.

THROTTLE LEVER



SERVICING YOUR HONDA ENGINE

THE IMPORTANCE OF MAINTENANCE

Good maintenance is essential for safe, economical, and trouble-free operation. It will also help reduce air pollution.

⚠ WARNING

Improperly maintaining this engine, or failure to correct a problem before operation, can cause a malfunction in which you can be seriously hurt or killed.

Always follow the inspection and maintenance recommendations and schedules in this owner's manual.

To help you properly care for your engine, the following pages include a maintenance schedule, routine inspection procedures, and simple maintenance procedures using basic hand tools. Other service tasks that are more difficult, or require special tools, are best handled by professionals and are normally performed by a Honda technician or other qualified mechanic.

The maintenance schedule applies to normal operating conditions. If you operate your engine under unusual conditions, such as sustained high-load or high-temperature operation, or use in unusually wet or dusty conditions, consult your servicing dealer for recommendations applicable to your individual needs and use.

Maintenance, replacement or repair of emission control devices and systems may be done by any engine repair establishment or individual, using parts that are "certified" to EPA standards.

SERVICING YOUR HONDA ENGINE

MAINTENANCE SAFETY

Some of the most important safety precautions follow. However, we cannot warn you of every conceivable hazard that can arise in performing maintenance. Only you can decide whether or not you should perform a given task.

⚠ WARNING

Failure to properly follow maintenance instructions and precautions can cause you to be seriously hurt or killed.

Always follow the procedures and precautions in the owner's manual.

Safety Precautions

- Make sure the engine is off before you begin any maintenance or repairs. This will eliminate several potential hazards:
 - **Carbon monoxide poisoning from engine exhaust.**
Be sure there is adequate ventilation whenever you operate the engine.
 - **Burns from hot parts.**
Let the engine and exhaust system cool before touching.
 - **Injury from moving parts.**
Do not run the engine unless instructed to do so.
- Read the instructions before you begin, and make sure you have the tools and skills required.
- To reduce the possibility of fire or explosion, be careful when working around gasoline. Use only a nonflammable solvent, not gasoline, to clean parts. Keep cigarettes, sparks and flames away from all fuel-related parts.

Remember that your servicing dealer knows your engine best and is fully equipped to maintain and repair it.

To ensure the best quality and reliability, use only new, genuine Honda parts or their equivalents for repair and replacement.

SERVICING YOUR HONDA ENGINE

MAINTENANCE SCHEDULE

REGULAR SERVICE PERIOD (3)			Each use	First month or 10 hrs.	Every 3 months or 25 hrs.	Every 6 months or 50 hrs.	Every year or 100 hrs.	Every 2 years or 300 hrs.	Refer to page	
ITEM	Perform at every indicated month or operating hour interval, whichever comes first.									
•	Engine oil	Check level	○						24	
		Change		○		○			26	
•	Air filter	Check	○						29	
		Clean			○ (1)				30	
	Nuts, bolts, fasteners (Retighten if necessary)	Check	○						—	
•	Spark plug	Check-adjust					○		31	
		Replace						○		
	Engine cooling fins	Check				○			33	
	Spark arrester	Clean					○		36	
•	Fuel tank	Clean					○		34	
•	Fuel filter	Check					○		34	
	Clutch shoes	Check				○ (2)			—	
•	Idle speed	Check-adjust					○ (2)		—	
•	Valve clearance	Check-adjust					○ (2)		—	
•	Combustion chamber	Clean	After every 300 hrs (2)							—
•	Fuel tubes	Check	Every 2 years (Replace if necessary) (2)							—

• Emission-related items.

- (1) Service more frequently when used in dusty areas.
- (2) These items should be serviced by your servicing dealer, unless you have the proper tools and are mechanically proficient. Refer to Honda shop manual for service procedures.
- (3) For commercial use, log hours of operation to determine proper maintenance intervals.

SERVICING YOUR HONDA ENGINE

REFUELING

Fuel tank capacities

GX22: 0.119 US gal (0.45 ℓ , 0.099 Imp gal) for horizontal types

0.159 US gal (0.60 ℓ , 0.132 Imp gal) for vertical types

GX31: 0.172 US gal (0.65 ℓ , 0.143 Imp gal) for horizontal types

0.159 US gal (0.60 ℓ , 0.132 Imp gal) for vertical types

Check the fuel level by looking through the translucent fuel tank.

If the fuel level is low, refuel in a well-ventilated area with the engine stopped. If the engine has been running, allow it to cool.

To refuel, rest the engine on the ground with the fuel tank cap facing up, as shown. Remove the fuel tank cap, and fill the tank with gasoline to the bottom of the filler neck. Refuel carefully to avoid spilling fuel. Do not overfill. There should be no fuel in the filler neck. After refueling, tighten the fuel tank cap securely.

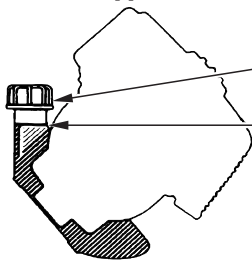
⚠ WARNING

Gasoline is highly flammable and explosive.

You can be burned or seriously injured when handling fuel.

- Stop the engine and keep heat, sparks, and flame away.
- Handle fuel only outdoors.
- Wipe up spills immediately.

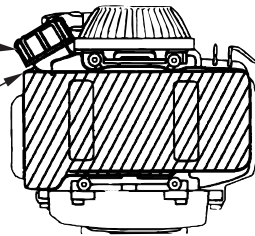
Horizontal type:



Vertical type:

FUEL TANK CAP

MAXIMUM FUEL LEVEL



SERVICING YOUR HONDA ENGINE

Never refuel the engine inside a building where gasoline fumes may reach flames or sparks. Keep gasoline away from appliance pilot lights, barbecues, electric appliances, power tools, etc.

Spilled fuel is not only a fire hazard, it causes environmental damage. Wipe up spills immediately.

NOTICE

Fuel can damage paint and plastic. Be careful not to spill fuel when filling your fuel tank. Damage caused by spilled fuel is not covered under warranty.

FUEL RECOMMENDATIONS

Use unleaded gasoline with a pump octane rating of 86 or higher.

These engines are certified to operate on unleaded gasoline. Unleaded gasoline produces fewer engine and spark plug deposits and extends exhaust system life.

Never use stale or contaminated gasoline or an oil/gasoline mixture. Avoid getting dirt or water in the fuel tank.

Occasionally you may hear a light “spark knock” or “pinging” (metallic rapping noise) while operating under heavy loads. This is no cause for concern.

If spark knock or pinging occurs at a steady engine speed, under normal load, change brands of gasoline. If spark knock or pinging persists, see an authorized Honda servicing dealer.

NOTICE

Running the engine with persistent spark knock or pinging can cause engine damage.

Running the engine with persistent spark knock or pinging is misuse, and the *Distributor's Limited Warranty* does not cover parts damaged by misuse.

SERVICING YOUR HONDA ENGINE

ENGINE OIL LEVEL CHECK

Check the engine oil level before each use, or every 10 hours if operated continuously.

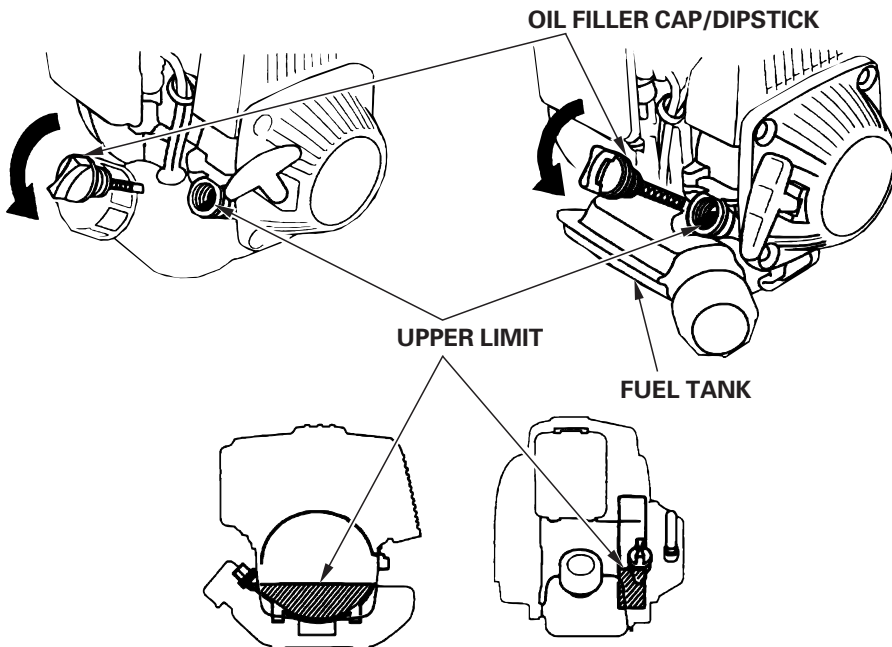
Check the engine oil level with the engine stopped and in a level position.

For the vertical type engine, turn it 90 degrees with the fuel tank downward before performing engine oil level check.

1. Remove the oil filler cap/dipstick and wipe it clean.
2. Insert and remove the dipstick without screwing it into the filler neck. Check the oil level shown on the dipstick.
3. If the oil level is low, fill to the edge of the oil filler hole with the recommended oil (see page 28). To avoid overfilling or underfilling, be sure the engine is in a level position, as shown, while adding oil.

Horizontal type:

Vertical type:



SERVICING YOUR HONDA ENGINE

4. Reinstall the oil filler cap/dipstick securely.

NOTICE

Running the engine with a low or excessive oil level can cause engine damage.

SERVICING YOUR HONDA ENGINE

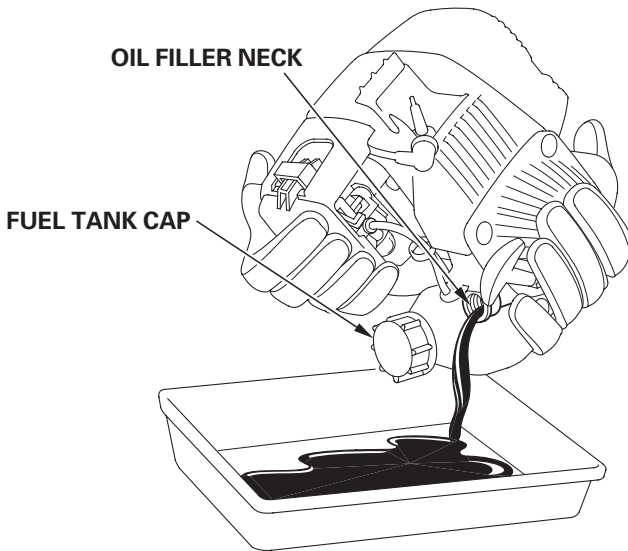
ENGINE OIL CHANGE

Drain the used oil while the engine is warm. Warm oil drains quickly and completely.

For the vertical type engine, turn it 90 degrees with the fuel tank downward before performing engine oil change.

1. Check that the fuel tank cap is tightened securely.
2. Place a suitable container next to the engine to catch the used oil.
3. Remove the oil filler cap/dipstick and drain the oil into the container by tipping the engine toward the oil filler neck.

Please dispose of used motor oil in a manner that is compatible with the environment. We suggest you take used oil in a sealed container to your local recycling center or service station for reclamation. Do not throw it in the trash, pour it on the ground, or down a drain.



SERVICING YOUR HONDA ENGINE

4. With the engine in a level position, fill to the edge of the oil filler hole with the recommended oil (see page 28).

Add the engine oil slowly to avoid overflowing, as the engine oil tank capacity is small.

Engine oil capacity: 0.11 US qt (0.10 ℓ, 0.09 Imp qt)

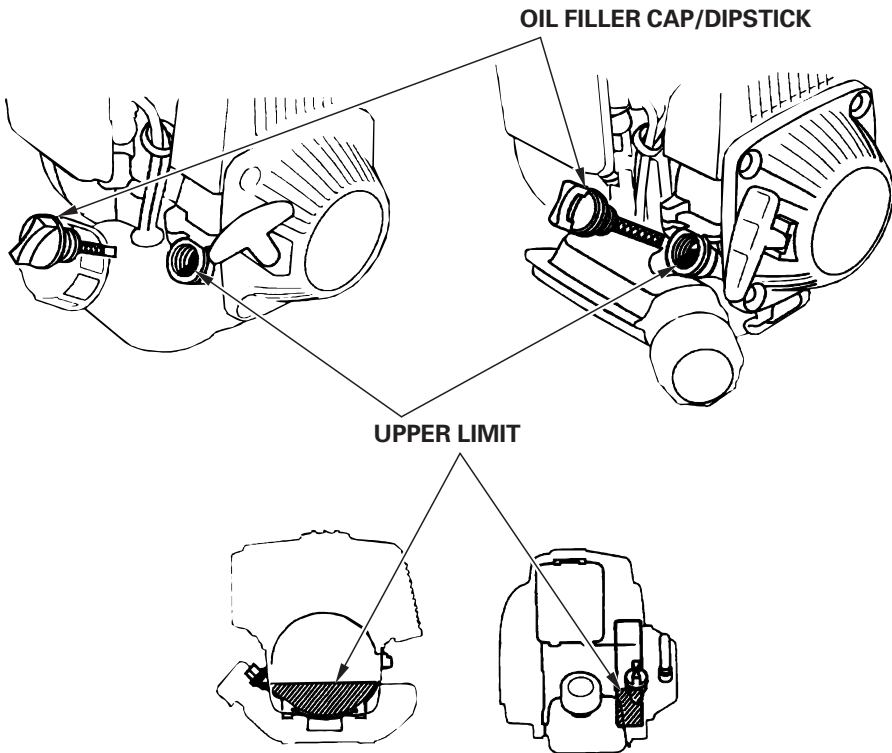
NOTICE

Running the engine with a low or excessive oil level can cause engine damage.

5. Reinstall the oil filler cap/dipstick securely.

Horizontal type:

Vertical type:

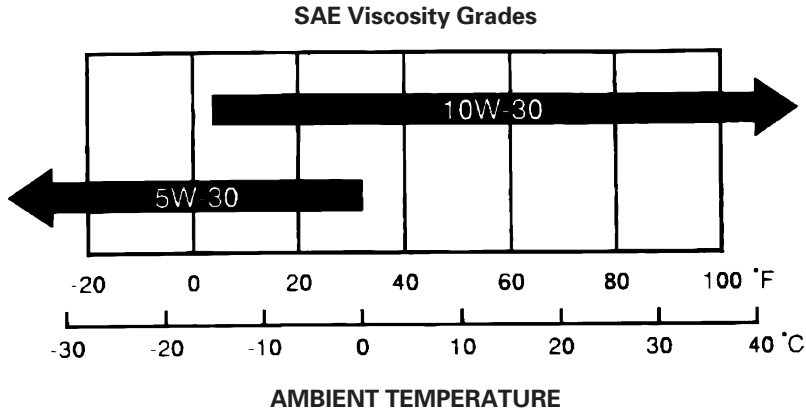


SERVICING YOUR HONDA ENGINE

ENGINE OIL RECOMMENDATIONS

Oil is a major factor affecting performance and service life. Use 4-stroke automotive detergent oil.

SAE 10W-30 is recommended for general use. Other viscosities shown in the chart may be used when the average temperature in your area is within the recommended range.



The SAE oil viscosity and service classification are in the API label on the oil container. Honda recommends that you use API SERVICE category SJ oil.

The recommended operating range of this engine is 23°F to 104°F (-5°C to 40°C).

SERVICING YOUR HONDA ENGINE

AIR FILTER INSPECTION

Press the latch tab on the top of the air cleaner cover, and remove the cover. Check the filter to be sure it is clean and in good condition.

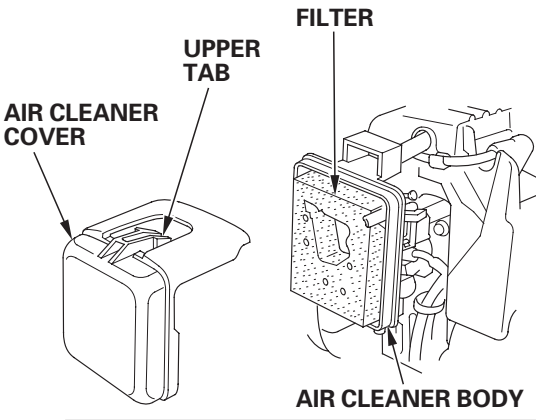
If the filter is dirty, clean it as described on page 30. Replace the filter if it is damaged.

Reinstall the filter and air cleaner cover.

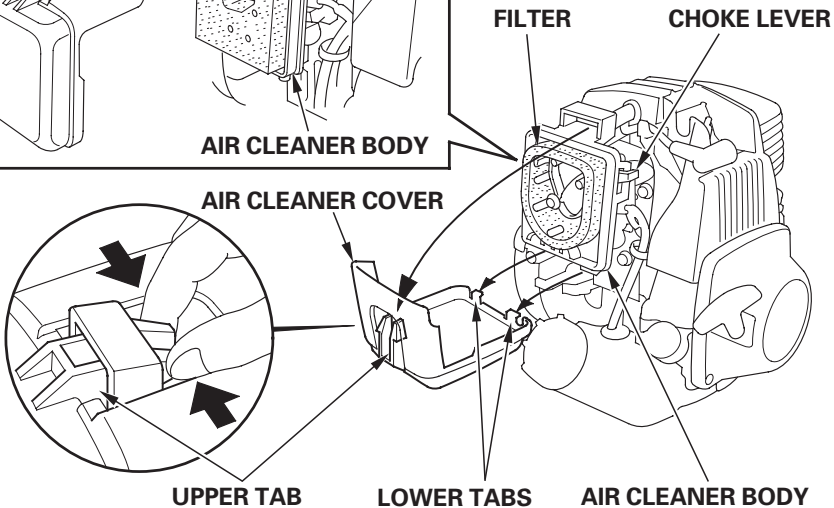
NOTICE

Operating the engine without an air filter, or with a damaged air filter, will allow dirt to enter the engine, causing rapid engine wear. This type of damage is not covered by the Distributor's Limited Warranty.

Vertical type:



Horizontal type:



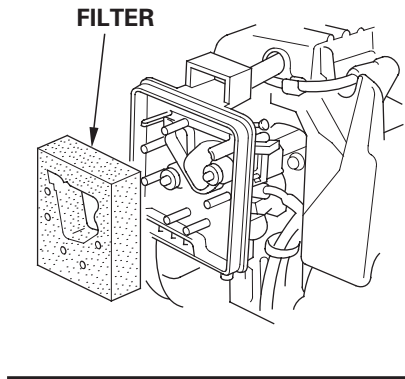
SERVICING YOUR HONDA ENGINE

AIR FILTER CLEANING

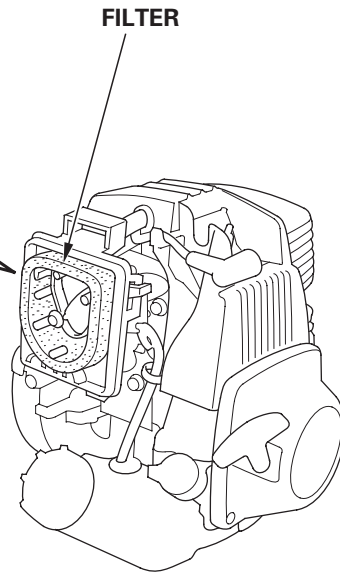
A dirty air filter will restrict air flow to the carburetor, reducing engine performance. If you operate the engine in very dusty areas, clean the air filter more than specified in the MAINTENANCE SCHEDULE.

1. Clean the air filter in warm soapy water, rinse, and allow to dry thoroughly. Or clean in nonflammable solvent and allow to dry.
2. Dip the air filter in clean engine oil, then squeeze out all excess oil. The engine will smoke when started if too much oil is left in the foam.
3. Wipe dirt from the air cleaner body and cover, using a moist rag. Be careful to prevent dirt from entering the carburetor.

Vertical type:



Horizontal type:



SERVICING YOUR HONDA ENGINE

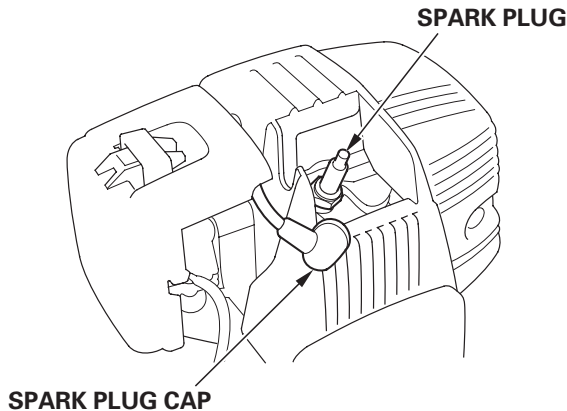
SPARK PLUG SERVICE

Recommended spark plug: CR5HSB(NGK)
U16FSR-UB (DENSO)

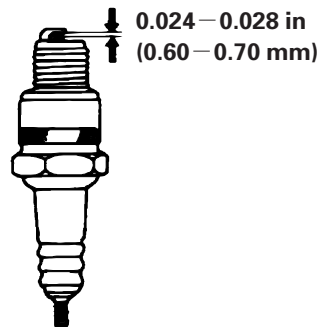
NOTICE

An incorrect spark plug can cause engine damage.

1. Disconnect the spark plug cap, and remove any dirt from around the spark plug area.
2. Remove the spark plug with a 5/8-inch spark plug wrench.



3. Inspect the spark plug. Replace it if the electrodes are worn, or if the insulator is cracked or chipped. Clean the spark plug with a wire brush if you are going to reuse it.
4. Measure the spark plug electrode gap with a suitable gauge. The gap should be 0.024 – 0.028 in (0.60 – 0.70 mm). Correct the gap, if necessary, by carefully bending the side electrode.
5. Install the spark plug carefully, by hand, to avoid cross-threading.



SERVICING YOUR HONDA ENGINE

6. After the spark plug seats, tighten with a 5/8-inch spark plug wrench to compress the washer.

If reinstalling the used spark plug, tighten 1/8–1/4 turn after the spark plug seats.

If installing a new spark plug, tighten 1/2 turn after the spark plug seats.

NOTICE

A loose spark plug can overheat and damage the engine.

Overtightening the spark plug can damage the threads in the cylinder head.

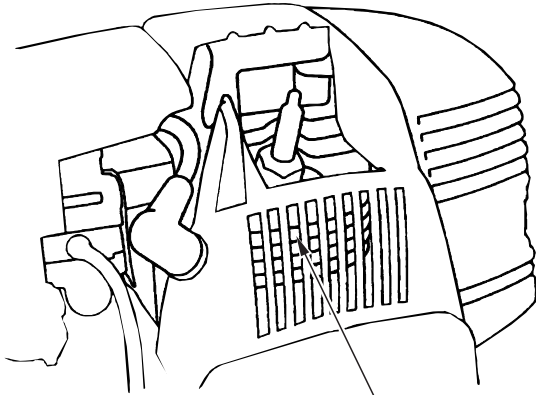
7. Attach the spark plug cap.

SERVICING YOUR HONDA ENGINE

COOLING FIN INSPECTION

Inspect the engine cooling fins, and clean out debris if they are clogged.

If it is necessary to remove the top cover for better access to the cooling fins, refer to the disassembly instructions on pages 37 and 38.



COOLING FINS
(inside the cover)

SERVICING YOUR HONDA ENGINE

FUEL FILTER INSPECTION and FUEL TANK CLEANING

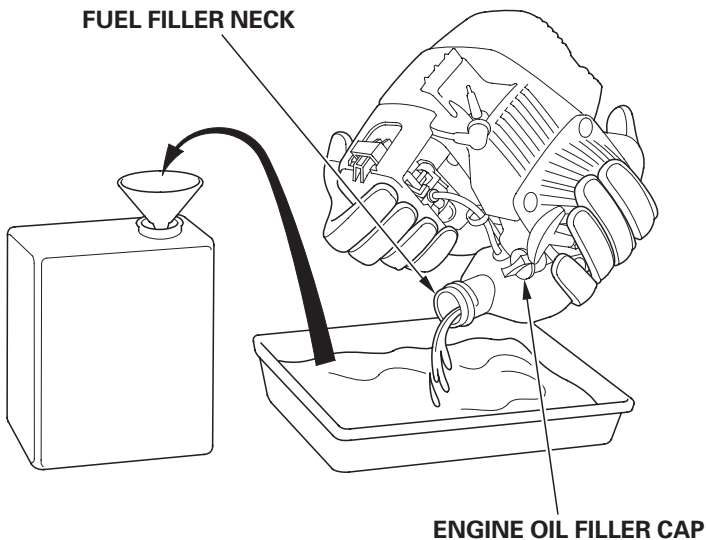
1. Check that the engine oil filler cap is tightened securely.
2. Remove the fuel tank cap, and drain the fuel into an approved gasoline container by tipping the engine toward the fuel filler neck.

⚠ WARNING

Gasoline is highly flammable and explosive.

You can be burned or seriously injured when handling fuel.

- Keep heat, sparks and flame away.
- Handle fuel only outdoors.
- Wipe up spills immediately.

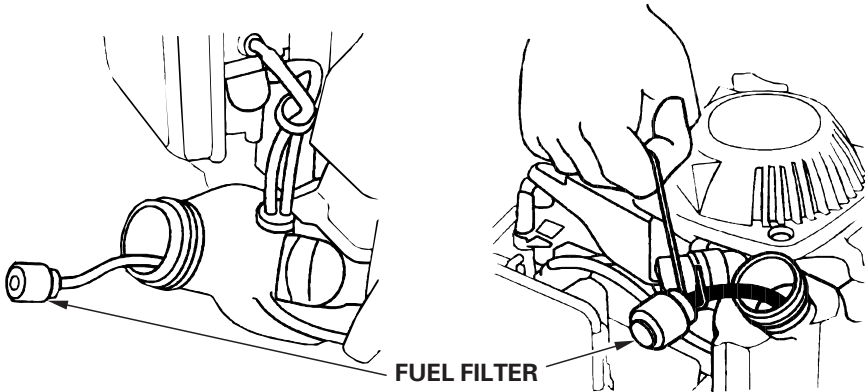


SERVICING YOUR HONDA ENGINE

3. Pull the fuel filter out through the fuel filler neck by hooking the black fuel tube with a piece of wire, such as a partly straightened paper clip.
4. Inspect the fuel filter. If the fuel filter is dirty, wash it gently with nonflammable or high flashpoint solvent. If the fuel filter is excessively dirty, replace it.

Horizontal type:

Vertical type:



5. Rinse sediment from the fuel tank, using nonflammable or high flashpoint solvent.
6. Insert the fuel filler into the fuel tank and tighten the fuel filter cap securely.

SERVICING YOUR HONDA ENGINE

SPARK ARRESTER SERVICE

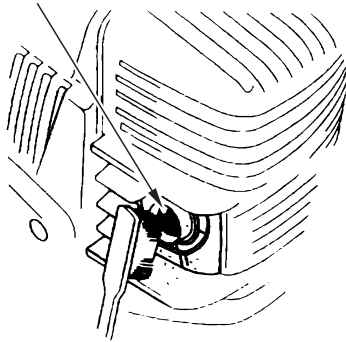
The spark arrester must be serviced every 100 hours to keep it functioning as designed.

If the engine has been running, the muffler will be very hot. Allow the muffler to cool before servicing the spark arrester.

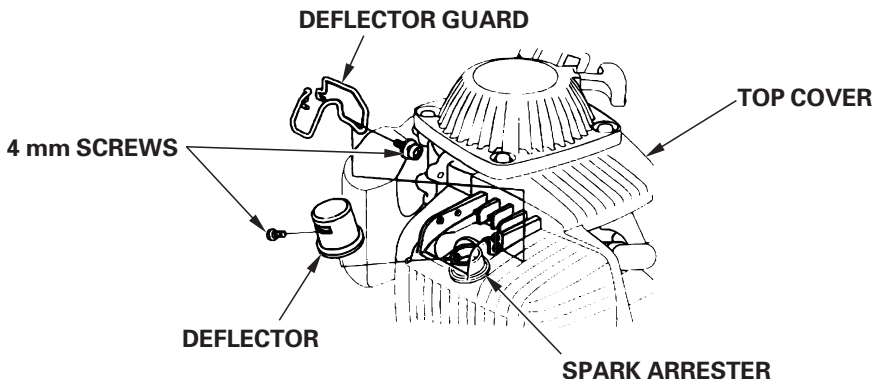
- Use a brush to remove carbon deposits from the spark arrester screen. Be careful to avoid damaging the screen.

The spark arrester must be free of breaks and holes. Replace the spark arrester if it is damaged.

SPARK ARRESTER SCREEN



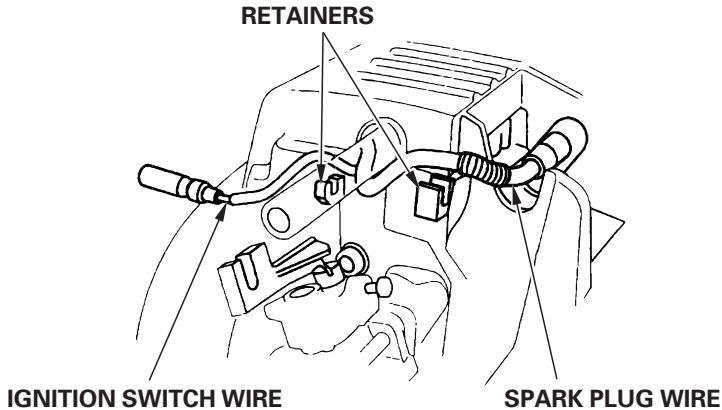
To reach the spark arrester screen on vertical-shaft engines, remove the deflector guard from the engine top cover and the deflector from the spark arrester by removing the 4 mm screws as shown below for reaching the spark arrester screen.



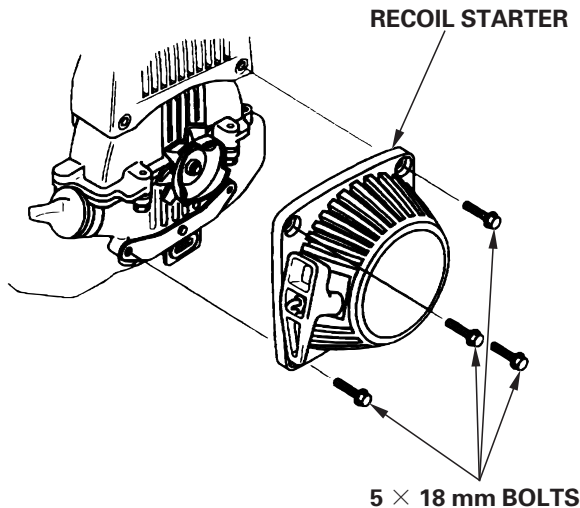
SERVICING YOUR HONDA ENGINE

Remove and clean the spark arrester in the following manner, or have it serviced by your Honda dealer, if it becomes fouled excessively.

1. Remove the air cleaner cover (see page 29).
2. Remove the spark plug cap, and then remove the spark plug wire and the ignition switch wire from their retainers on the engine top cover.

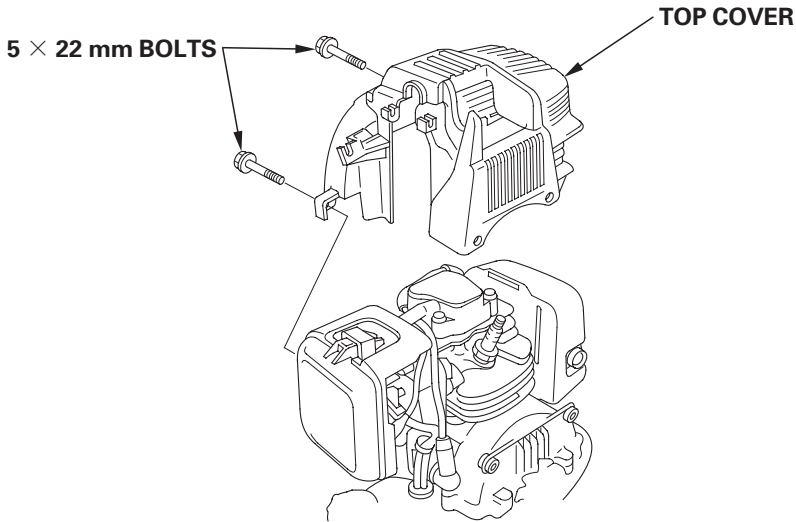


3. Remove the four 5 mm bolts from the recoil starter, and remove the recoil starter.



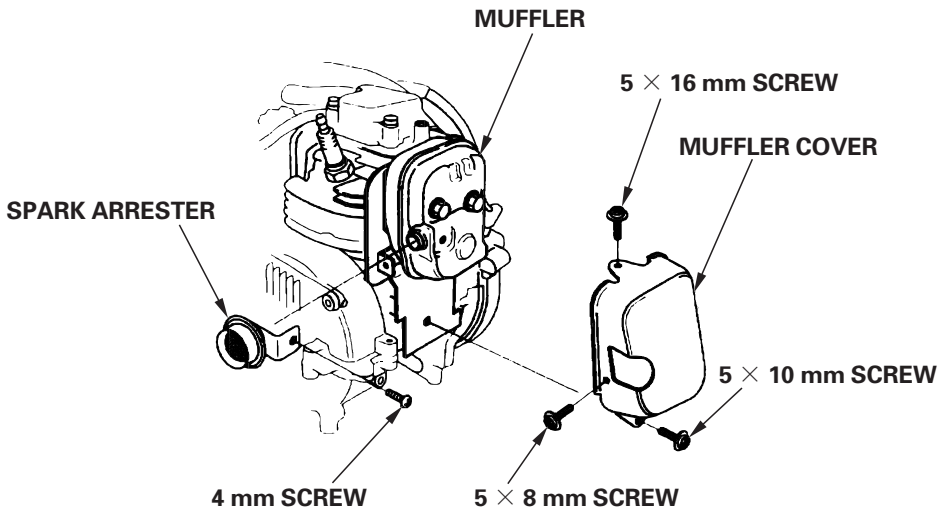
SERVICING YOUR HONDA ENGINE

4. Remove the two 5 mm bolts from the top cover, and remove the top cover.



5. Remove the three 5 mm screws from the muffler cover, and remove the muffler cover.

6. Remove the 4 mm screw from the spark arrester, and remove the spark arrester from the muffler.

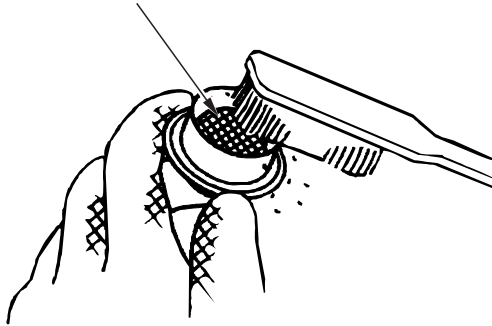


SERVICING YOUR HONDA ENGINE

7. Use a brush to remove carbon deposits from the spark arrester screen. Be careful to avoid damaging the screen.

The spark arrester must be free of breaks and holes. Replace the spark arrester if it is damaged.

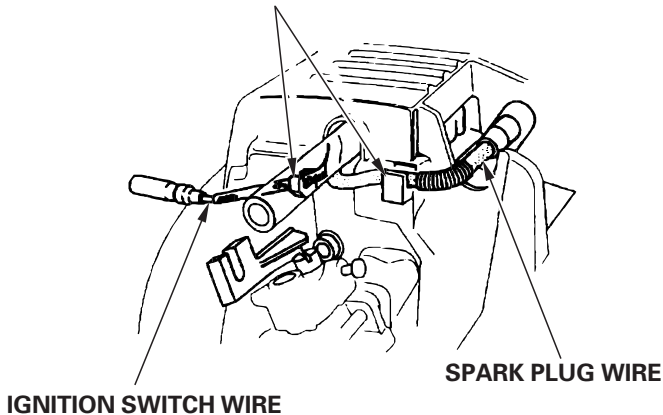
SPARK ARRESTER SCREEN



8. Install the spark arrester, muffler cover, top cover, and recoil starter in the reverse order of disassembly.

9. Secure the ignition switch wire and spark plug wire in the retainers on the engine top cover.

RETAINERS



HELPFUL TIPS & SUGGESTIONS

STORING YOUR ENGINE

Storage Preparation

Proper storage preparation is essential for keeping your engine troublefree and looking good. The following steps will help to keep rust and corrosion from impairing your engine's function and appearance, and will make the engine to start easier when you use it again.

Cleaning

If the engine has been running, allow it to cool for at least half an hour before cleaning. Clean all exterior surfaces, touch up any damaged paint, and coat other areas that may rust with a light film of oil.

NOTICE

- *Using a garden hose or pressure washing equipment can force water into the air cleaner or muffler opening. Water in the air cleaner will soak the air filter, and water that passes through the air filter or muffler can enter the cylinder, causing damage.*
- *Water contacting a hot engine can cause damage. If the engine has been running, allow it to cool for at least half an hour before washing.*

Fuel

Gasoline will oxidize and deteriorate in storage. Old gasoline will cause hard starting, and it leaves gum deposits that clog the fuel system. If the gasoline in your engine deteriorates during storage, you may need to have the carburetor and other fuel system components serviced or replaced.

The length of time that gasoline can be left in your fuel tank and carburetor without causing functional problems will vary with such factors as gasoline blend, your storage temperatures, and whether the fuel tank is partially or completely filled. The air in a partially filled fuel tank promotes fuel deterioration. Very warm storage/temperatures accelerate fuel deterioration. Fuel deterioration problems may occur within a few months, or even less if the gasoline was not fresh when you filled the fuel tank.

HELPFUL TIPS & SUGGESTIONS

The *Distributor's Limited Warranty* does not cover fuel system damage or engine performance problems resulting from neglected storage preparation.

You can extend fuel storage life by adding a fuel stabilizer that is formulated for that purpose, or you can avoid fuel deterioration problems by draining the fuel tank and carburetor.

ADDING A FUEL STABILIZER TO EXTEND FUEL STORAGE LIFE

When adding a fuel stabilizer, fill the fuel tank with fresh gasoline. If only partially filled, air in the tank will promote fuel deterioration during storage. If you keep a container of gasoline for refueling, be sure that it contains only fresh gasoline.

1. Add fuel stabilizer following the manufacture's instructions.
2. After adding a fuel stabilizer, run the engine outdoors for 10 minutes to be sure that treated gasoline has replaced the untreated gasoline in the carburetor.

HELPFUL TIPS & SUGGESTIONS

DRAINING THE FUEL TANK AND CARBURETOR

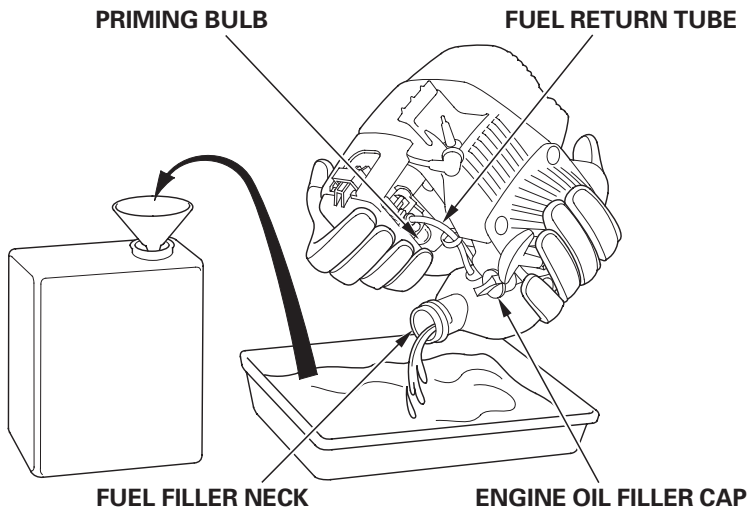
1. Remove the fuel tank cap and drain the fuel into an approved gasoline container by tipping the engine toward the fuel filler neck.
2. Press the priming bulb several times until there is no more fuel in the fuel return tube.
3. Tip the engine toward the fuel filler neck again to drain the fuel.

⚠ WARNING

Gasoline is highly flammable and explosive.

You can be burned or seriously injured when handling fuel.

- Keep heat, sparks and flame away.
- Handle fuel only outdoors.
- Wipe up spills immediately.



4. After all fuel has drained, reinstall the fuel tank cap securely.

HELPFUL TIPS & SUGGESTIONS

Engine Oil

1. Change the engine oil (see page 26).
2. Remove the spark plug (see page 31).
3. Pour a teaspoon (1–3 cc) of clean engine oil into the cylinder.
4. Pull the starter rope several times to distribute the oil in the cylinder.
5. Reinstall the spark plug.

Storage Precautions

If your engine will be stored with gasoline in the fuel tank and carburetor, it is important to reduce the hazard of gasoline vapor ignition. Select a well-ventilated storage area away from any appliance that operates with a flame, such as a furnace, water heater, or clothes dryer. Also avoid any area with a spark-producing electric motor, or where power tools are operated.

If possible, avoid storage areas with high humidity, because that promotes rust and corrosion.

With the engine and exhaust system cool, cover the engine to keep out dust. A hot engine and exhaust system can ignite or melt some materials. Do not use sheet plastic as a dust cover. A nonporous cover will trap moisture around the engine, promoting rust and corrosion.

Removal From Storage

Check your engine as described in the *BEFORE OPERATION* chapter of this manual.

If the fuel was drained during storage preparation, fill the tank with fresh gasoline. If you keep a container of gasoline for refueling, be sure that it contains only fresh gasoline. Gasoline oxidizes and deteriorates over time, causing hard starting.

If the cylinder was coated with oil during storage preparation, the engine may smoke briefly at startup. This is normal.

HELPFUL TIPS & SUGGESTIONS

TRANSPORTING

If the engine has been running, allow it to cool for at least 15 minutes before loading the engine-powered equipment on the transport vehicle. A hot engine and exhaust system can burn you and can ignite some materials.

TAKING CARE OF UNEXPECTED PROBLEMS

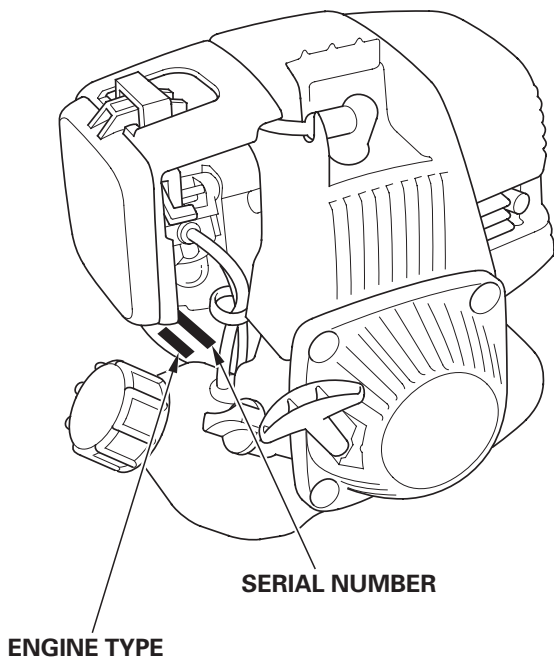
ENGINE WILL NOT START	Possible Cause	Correction
1. Check control positions.	Choke open.	Move the choke lever to CLOSED position unless engine is warm.
	Ignition switch OFF. (on the equipment)	Turn ignition switch to ON.
2. Check fuel.	Out of fuel.	Refuel.
	Bad fuel; engine stored without treating or draining gasoline, or refueled with bad gasoline.	Drain fuel tank and carburetor (p. 42). Refuel with fresh gasoline.
3. Remove and inspect spark plug.	Spark plug faulty, fouled, or improperly gapped.	Clean, gap, or replace spark plug (p. 31).
	Spark plug wet with fuel (flooded engine).	Dry and reinstall spark plug. Start engine with throttle lever in FAST position, with choke lever in OPEN position.
4. Take engine to an authorized Honda servicing dealer, or refer to shop manual.	Fuel filter clogged, carburetor malfunction, ignition malfunction, valves stuck, etc.	Replace or repair faulty components as necessary.

ENGINE LACKS POWER	Possible Cause	Correction
1. Check air filter.	Filter element clogged.	Clean or replace filter element (p. 30).
2. Check fuel.	Bad fuel; engine stored without treating or draining gasoline, or refueled with bad gasoline.	Drain fuel tank and carburetor (p. 42). Refuel with fresh gasoline.
3. Take engine to an authorized Honda servicing dealer, or refer to shop manual.	Fuel filter clogged, carburetor malfunction, ignition malfunction, valves stuck, etc.	Replace or repair faulty components as necessary.

TECHNICAL & CONSUMER INFORMATION

TECHNICAL INFORMATION

Serial Number Location



Record the engine serial number in the space below. You will need this serial number when ordering parts, and when making technical or warranty inquiries (see page 56).

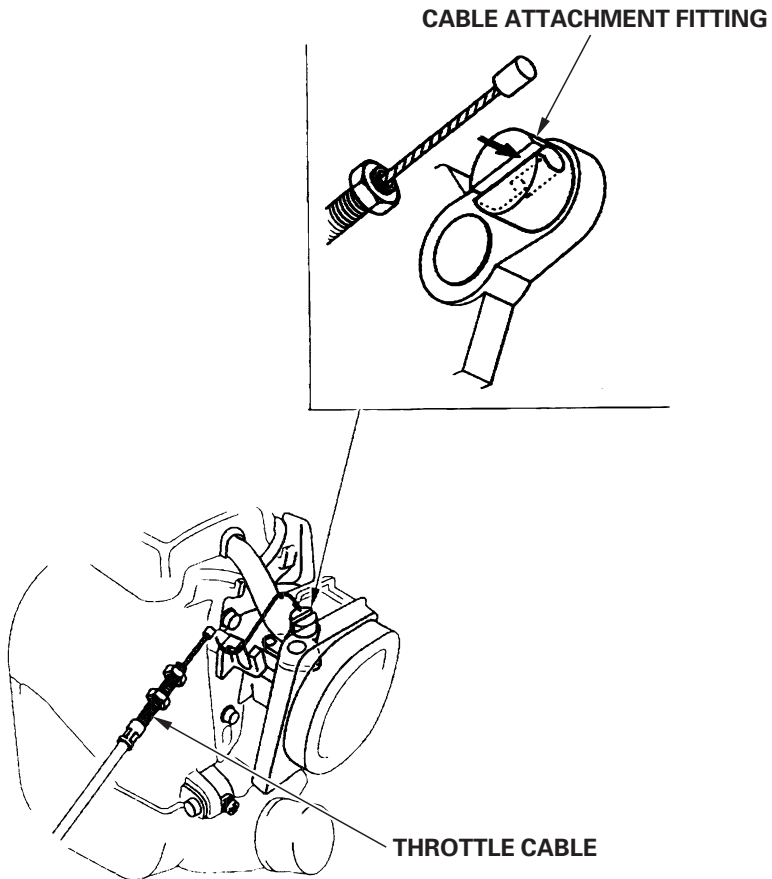
Engine serial number: _____

TECHNICAL & CONSUMER INFORMATION

Remote Control Linkage

The throttle control lever is provided with a fitting for cable attachment.

Remove the air cleaner cover (see page 29) for access to the throttle lever and cable fitting.



TECHNICAL & CONSUMER INFORMATION

Carburetor Modification for High Altitude Operation

At high altitude, the standard carburetor air-fuel mixture will be too rich. Performance will decrease, and fuel consumption will increase. A very rich mixture will also foul the spark plug and cause hard starting. Operation at an altitude that differs from that at which this engine was certified, for extended periods of time, may increase emissions.

High altitude performance can be improved by specific modifications to the carburetor. If you always operate your engine at altitudes above 5,000 feet (1,500 meters), have your servicing dealer perform this carburetor modification. This engine, when operated at high altitude with the carburetor modifications for high altitude use, will meet each emission standard throughout its useful life.

Even with carburetor modification, engine horsepower will decrease about 3.5% for each 1,000-foot (300-meter) increase in altitude. The effect of altitude on horsepower will be greater than this if no carburetor modification is made.

NOTICE

When the carburetor has been modified for high altitude operation, the air-fuel mixture will be too lean for low altitude use. Operation at altitudes below 5,000 feet (1,500 meters) with a modified carburetor may cause the engine to overheat and result in serious engine damage. For use at low altitudes, have your servicing dealer return the carburetor to original factory specifications.

TECHNICAL & CONSUMER INFORMATION

Oxygenated Fuels

Some conventional gasolines are being blended with alcohol or an ether compound. These gasolines are collectively referred to as oxygenated fuels.

To meet clean air standards, some areas of the United States and Canada use oxygenated fuels to help reduce emissions.

If you use an oxygenated fuel, be sure it is unleaded and meets the minimum octane rating requirement.

Before using an oxygenated fuel, try to confirm the fuel's contents. Some states/provinces require this information to be posted on the pump.

The following are the EPA approved percentages of oxygenates:

ETHANOL ——(ethyl or grain alcohol) 10% by volume

You may use gasoline containing up to 10% ethanol by volume. Gasoline containing ethanol may be marketed under the name "Gasohol".

MTBE ——(methyl tertiary butyl ether) 15% by volume

You may use gasoline containing up to 15% MTBE by volume.

METHANOL ——(methyl or wood alcohol) 5% by volume

You may use gasoline containing up to 5% methanol by volume, as long as it also contains cosolvents and corrosion inhibitors to protect the fuel system. Gasoline containing more than 5% methanol by volume may cause starting and/or performance problems. It may also damage metal, rubber, and plastic parts of your fuel system.

If you notice any undesirable operating symptoms, try another service station, or switch to another brand of gasoline.

Fuel system damage or performance problems resulting from the use of an oxygenated fuel containing more than the percentages of oxygenates mentioned above are not covered under warranty.

TECHNICAL & CONSUMER INFORMATION

Emission Control System Information

Source of Emissions

The combustion process produces carbon monoxide, oxides of nitrogen, and hydrocarbons. Control of hydrocarbons and oxides of nitrogen is very important because, under certain conditions, they react to form photochemical smog when subjected to sunlight. Carbon monoxide does not react in the same way, but it is toxic.

Honda utilizes lean carburetor settings and other systems to reduce the emissions of carbon monoxide, oxides of nitrogen and hydrocarbons.

The U.S. and California Clean Air Acts

EPA and California regulations require all manufacturers to furnish written instructions describing the operation and maintenance of emission control systems.

The following instructions and procedures must be followed in order to keep the emissions from your Honda engine within the emission standards.

Tampering and Altering

Tampering with or altering the emission control system may increase emissions beyond the legal limit. Among those acts that constitute tampering are:

- Removal or alteration of any part of the intake, fuel or exhaust systems.
- Altering or defeating the governor linkage or speed-adjusting mechanism to cause the engine to operate outside its design parameters.

TECHNICAL & CONSUMER INFORMATION

Problems That May Affect Emissions

If you are aware of any of the following symptoms, have your engine inspected and repaired by your servicing dealer.

- Hard starting or stalling after starting.
- Rough idle.
- Misfiring or backfiring under load.
- Afterburning (backfiring).
- Black exhaust smoke or high fuel consumption.

Replacement Parts

The emission control systems on your Honda engine were designed, built, and certified to conform with EPA and California emission regulations. We recommend the use of genuine Honda parts whenever you have maintenance done. These original-design replacement parts are manufactured to the same standards as the original parts, so you can be confident of their performance. The use of replacement parts that are not of the original design and quality may impair the effectiveness of your emission control system.

A manufacturer of an aftermarket part assumes the responsibility that the part will not adversely affect emission performance. The manufacturer or rebuilder of the part must certify that use of the part will not result in a failure of the engine to comply with emission regulations.

Maintenance

Follow the maintenance schedule on page 21. Remember that this schedule is based on the assumption that your machine will be used for its designed purpose. Sustained high-load or high-temperature operation, or use in unusually wet or dusty conditions, will require more frequent service.

TECHNICAL & CONSUMER INFORMATION

Air Index

An Air Index Information hang tag/label is applied to engines certified to an emission durability time period in accordance with the requirements of the California Air Resources Board.

The bar graph is intended to provide you, our customer, the ability to compare the emissions performance of available engines. The lower the Air Index, the less pollution.

The durability description is intended to provide you with information relating to the engine's emission durability period. The descriptive term indicates the useful-life period for the engine's emission control system. See your *Emission Control Warranty* for additional information.

Descriptive Term	Applicable to Emissions Durability Period
Moderate	50 hours (0—65 cc) 125 hours (greater than 65 cc)
Intermediate	125 hours (0—65 cc) 250 hours (greater than 65 cc)
Extended	300 hours (0—65 cc) 500 hours (greater than 65 cc)

The Air Index Information hang tag must remain on the engine until it is sold. Remove the hang tag before operating the engine.

TECHNICAL & CONSUMER INFORMATION

Specifications

GX22

Type	Horizontal (SA2)	Vertical (TA2)
Length × Width × Height	8.3 × 9.9 × 9.8 in (210 × 251 × 249 mm)	8.3 × 9.1 × 9.8 in (210 × 230 × 249 mm)
Dry weight	7.3 lbs (3.3 kg)	
Engine type	4-stroke, overhead valve, single cylinder	
Displacement [Bore × Stroke]	1.3 cu-in (22 cm ³) [1.3 × 1.0 in (33 × 26 mm)]	
Max. output	1.0 bhp (0.74 kW, 1.0 PS) at 7,000 rpm	
Max. torque	0.80 lbf·ft (1.09 N·m, 0.11 kgf·m) at 4,500 rpm	
Max. rotation with no load	10,000 rpm	8,500 rpm
Fuel consumption	0.55 lb/hph (340 g/kWh, 250 g/PSH)	
Cooling system	Forced air	
Ignition system	Transistorized magneto	
PTO shaft rotation	Counterclockwise	

GX31

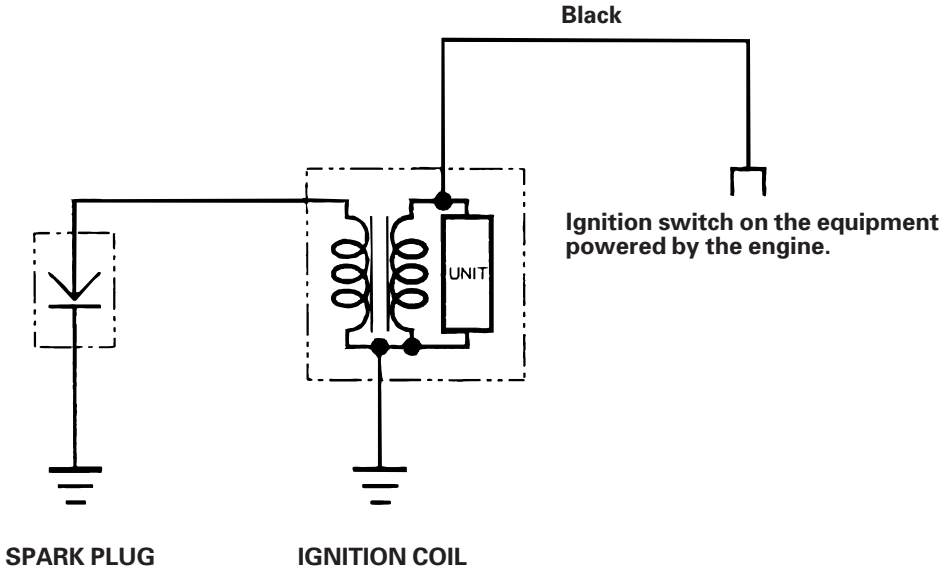
Type	Horizontal (SA2)	Vertical (TA2)
Length × Width × Height	8.3 × 9.9 × 9.8 in (210 × 251 × 250 mm)	8.3 × 9.1 × 9.8 in (210 × 230 × 250 mm)
Dry weight	7.5 lbs (3.4 kg)	
Engine type	4-stroke, overhead valve, single cylinder	
Displacement [Bore × Stroke]	1.9 cu-in (31 cm ³) [1.5 × 1.0 in (39 × 26 mm)]	
Max. output	1.5 bhp (1.10 kW, 1.5 PS) at 7,000 rpm	
Max. torque	1.21 lbf·ft (1.64 N·m, 0.17 kgf·m) at 4,500 rpm	
Max. rotation with no load	10,000 rpm	8,500 rpm
Fuel consumption	0.55 lb/hph (340 g/kWh, 250 g/PSH)	
Cooling system	Forced air	
Ignition system	Transistorized magneto	
PTO shaft rotation	Counterclockwise	

Tuneup

ITEM	SPECIFICATION	MAINTENANCE
Spark plug gap	0.024–0.028 in (0.60–0.70 mm)	Refer to page: 31
Valve clearance (cold)	IN:0.12±0.02 mm EX:0.15±0.02 mm	See your authorized Honda dealer
Other specifications	No other adjustments needed.	

TECHNICAL & CONSUMER INFORMATION

Wiring Diagram



TECHNICAL & CONSUMER INFORMATION

CONSUMER INFORMATION

Honda Publications

These publications will give you additional information for maintaining and repairing your engine. You may order them from your Honda engine dealer.

Shop Manual

This manual covers complete maintenance and overhaul procedures. It is intended to be used by a skilled technician.

Parts Catalog

This manual provides complete, illustrated parts lists.

TECHNICAL & CONSUMER INFORMATION

Warranty Service Information

Serviceing dealership personnel are trained professionals. They should be able to answer any question you may have. If you encounter a problem that your dealer does not solve to your satisfaction, please discuss it with the dealership's management. The Service Manager or General Manager can help. Almost all problems are solved in this way.

If you are dissatisfied with the decision made by the dealership's management, contact the Honda Power Equipment Customer Relations Office. You can write to:

American Honda Motor Co., Inc.
Power Equipment Division
Customer Relations Office
4900 Marconi Drive
Alpharetta, Georgia 30005-8847

Or telephone: (770) 497-6400

When you write or call, please give us this information:

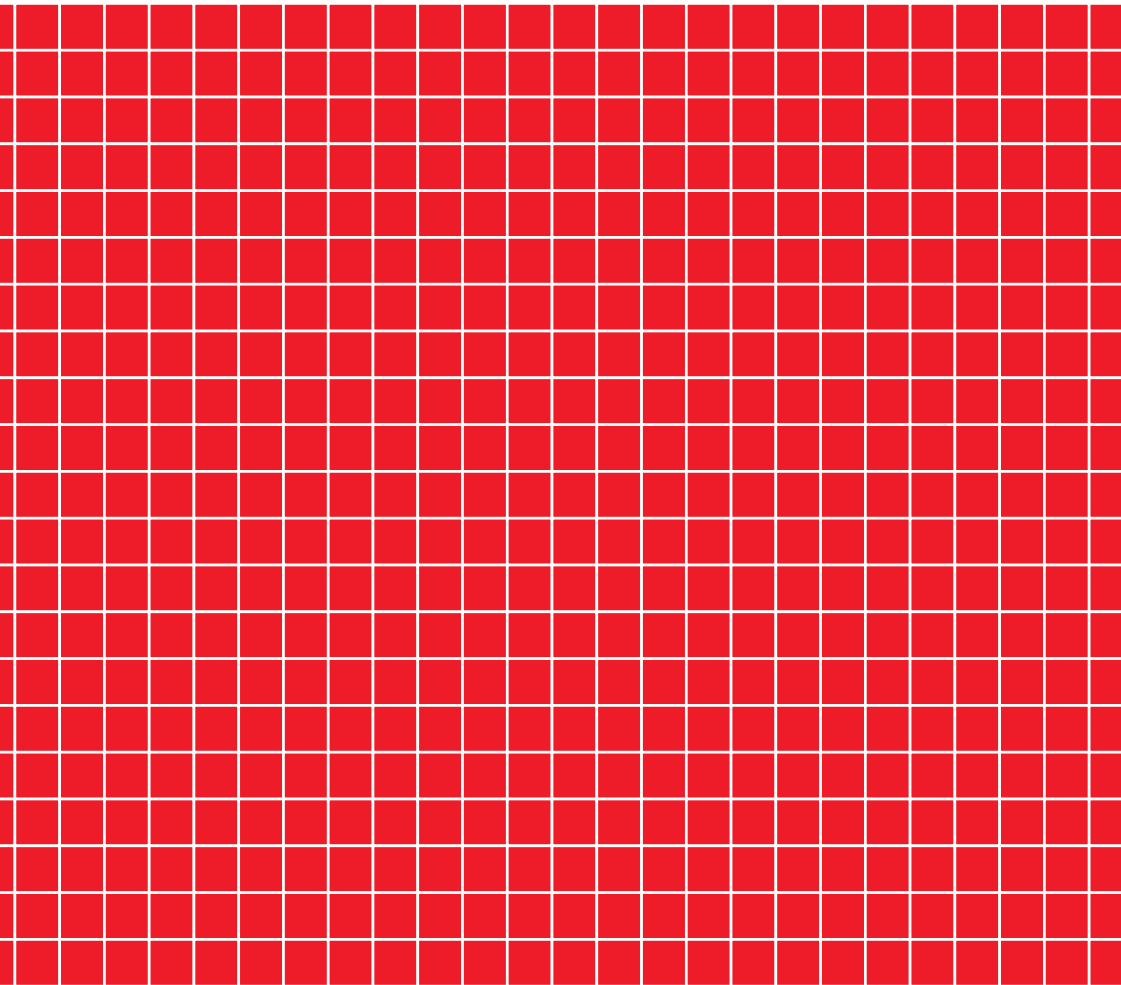
- Model and serial number (see page 46)
- Name of dealer who sold the engine to you
- Name and address of dealer who services your engine
- Date of purchase
- Your name, address and telephone number
- A detailed description of the problem

QUICK REFERENCE INFORMATION

Fuel	Type	Unleaded gasoline with a pump octane rating of 86 or higher (page 23)
	Capacity	GX22: 0.119 US gal (0.45 ℓ , 0.099 Imp gal) for horizontal types 0.159 US gal (0.60 ℓ , 0.132 Imp gal) for vertical types GX31: 0.172 US gal (0.65 ℓ , 0.143 Imp gal) for horizontal types 0.159 US gal (0.60 ℓ , 0.132 Imp gal) for vertical types
Engine Oil	Type	SAE 10W-30, API SJ, for general use (page 28)
	Capacity	0.11 US qt (0.10 ℓ , 0.09 Imp qt)
Spark Plug	Type	NGK: CR5HSB DENSO: U16FSR-UB
	Gap	0.024 – 0.028 in (0.60 – 0.70 mm) (page 31)
Carburetor	Idle speed	3,100 ± 200 rpm
Maintenance	Before each use	Check engine oil level. Check air filter. Check all bolts and nuts.
	First 10 hours	Change engine oil.
	Subsequent	Refer to the maintenance schedule on page 21.

HONDA

The Power of Dreams



31ZM3613
00X31-ZM3-6130

EM3 (AH) (英) (Y) (HC) 5000.2003.01
(Hi) Printed in Japan

Free Manuals Download Website

<http://myh66.com>

<http://usermanuals.us>

<http://www.somanuals.com>

<http://www.4manuals.cc>

<http://www.manual-lib.com>

<http://www.404manual.com>

<http://www.luxmanual.com>

<http://aubethermostatmanual.com>

Golf course search by state

<http://golfingnear.com>

Email search by domain

<http://emailbydomain.com>

Auto manuals search

<http://auto.somanuals.com>

TV manuals search

<http://tv.somanuals.com>