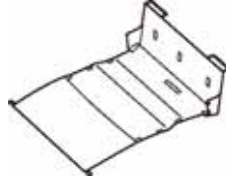
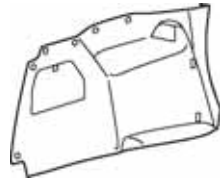


**PARTS LIST**

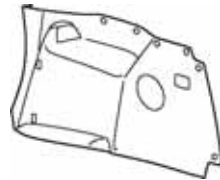
Center cargo liner



Left cargo liner



Right cargo liner



Template A



Template B



12 Snap hook rivets

**TOOLS AND SUPPLIES REQUIRED**

Flat-tip screwdriver

Masking tape

Drill

3 mm and 6 mm Drill bits

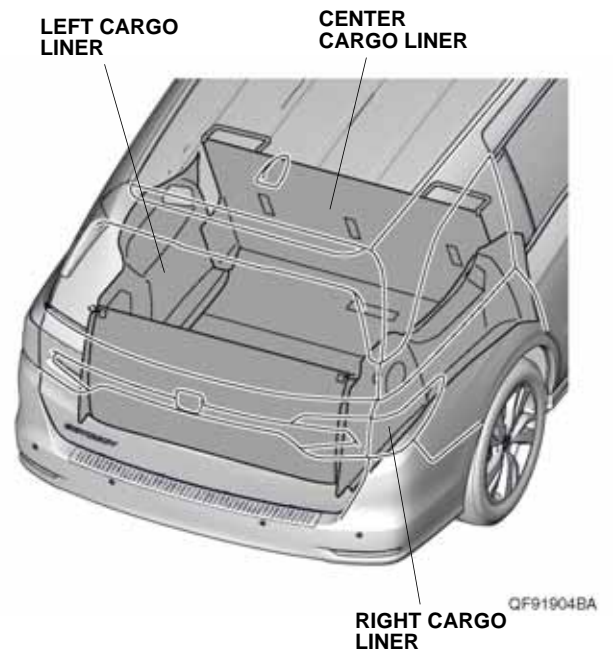
Pushpin

File

Felt-tip pen

Ruler

Eye protection (face shield, safety goggles, etc.)

**Illustration of the Cargo Liners in the Vehicle**

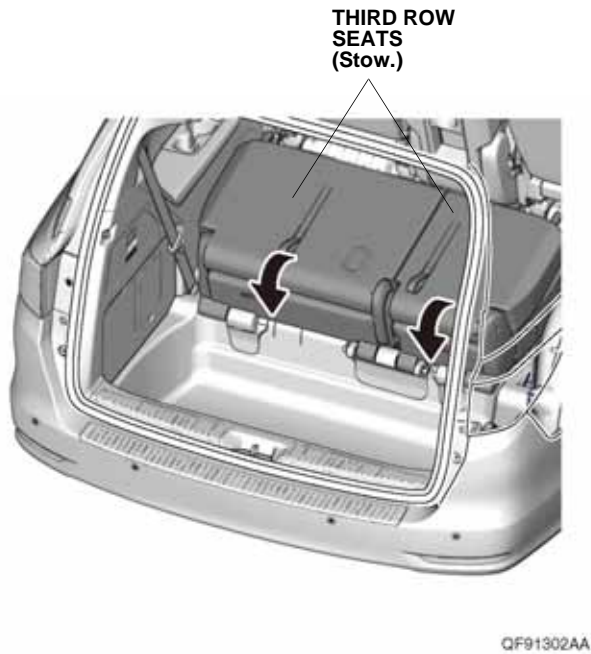
## INSTALLATION

**Customer Information:** The information in this installation instruction is intended for use only by skilled technicians who have the proper tools, equipment, and training to correctly and safely add equipment to your vehicle. These procedures should not be attempted by “do-it-yourselfers.”

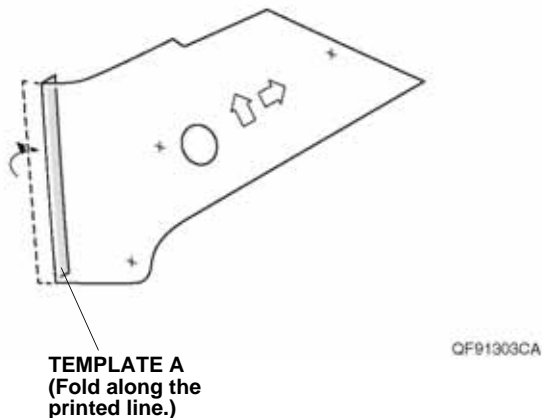
NOTE: Be careful not to damage the body.

### Installing the Cargo Liners

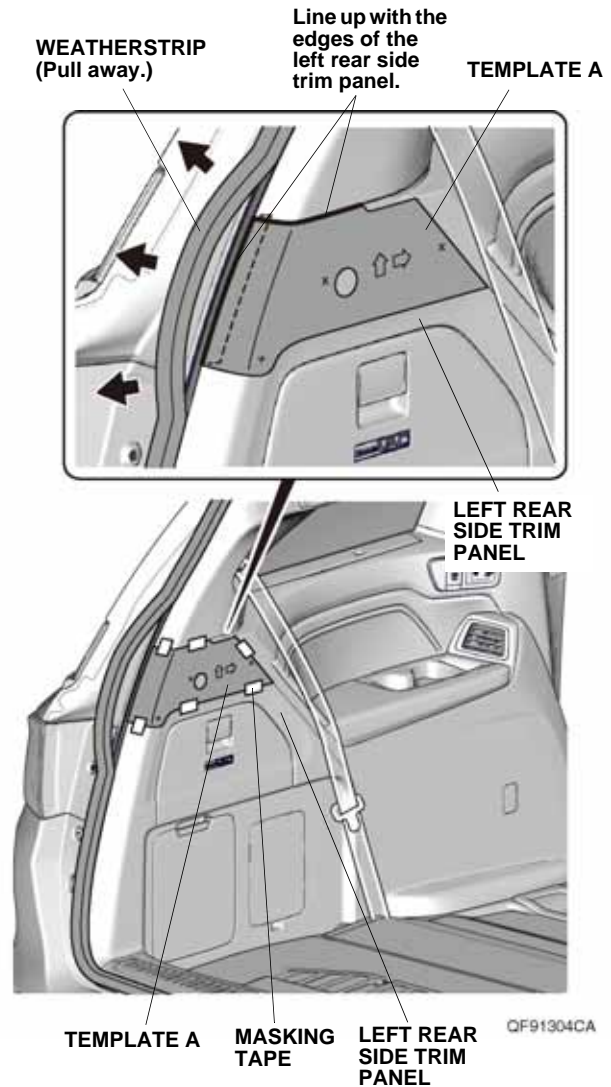
1. Stow the third row seats.



2. Using the printed line as guide, fold template A as shown.

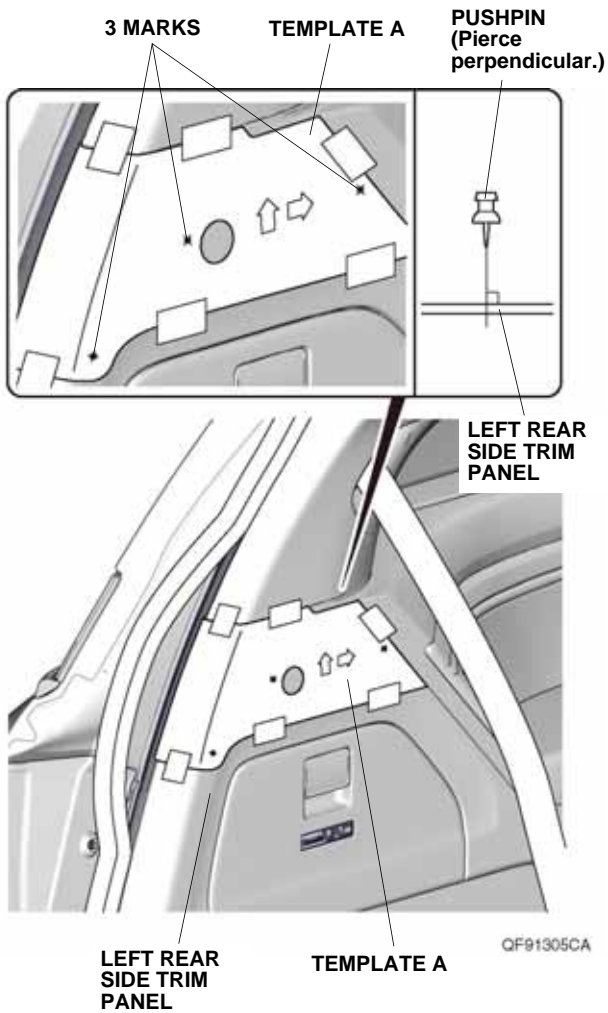


3. Pull away the weatherstrip. Line up the template A with the left rear side trim panel as shown. Tape template A to the left rear side trim panel with masking tape.



4. Using a pushpin, pierce the left rear side trim panel through template A at the locations shown. Remove template A.

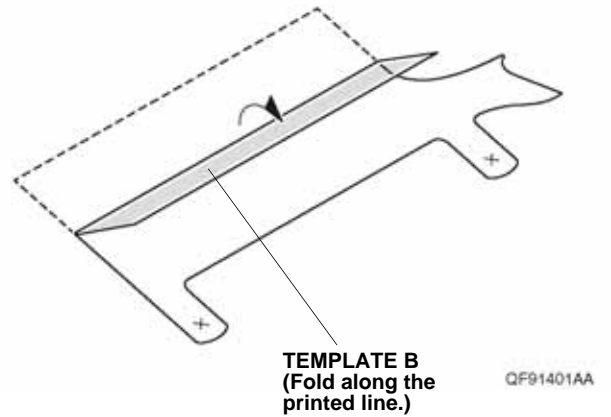
NOTE: Make sure to pierce the marks perpendicular to the left rear side trim panel.



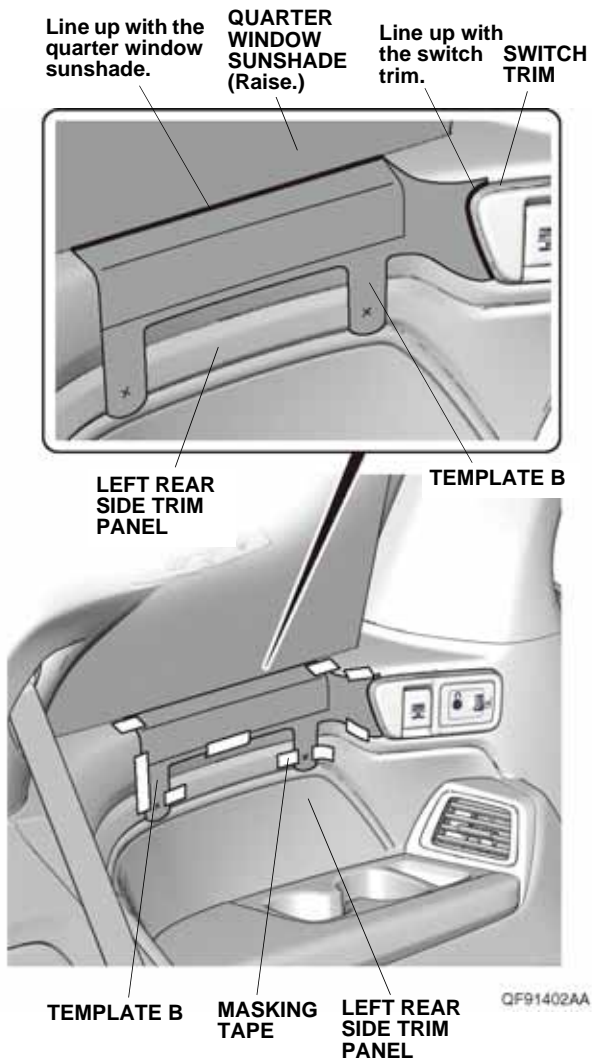
If the vehicle is equipped with a quarter window sunshade, continue with step 5; otherwise, go to step 8.

#### With quarter window sunshade

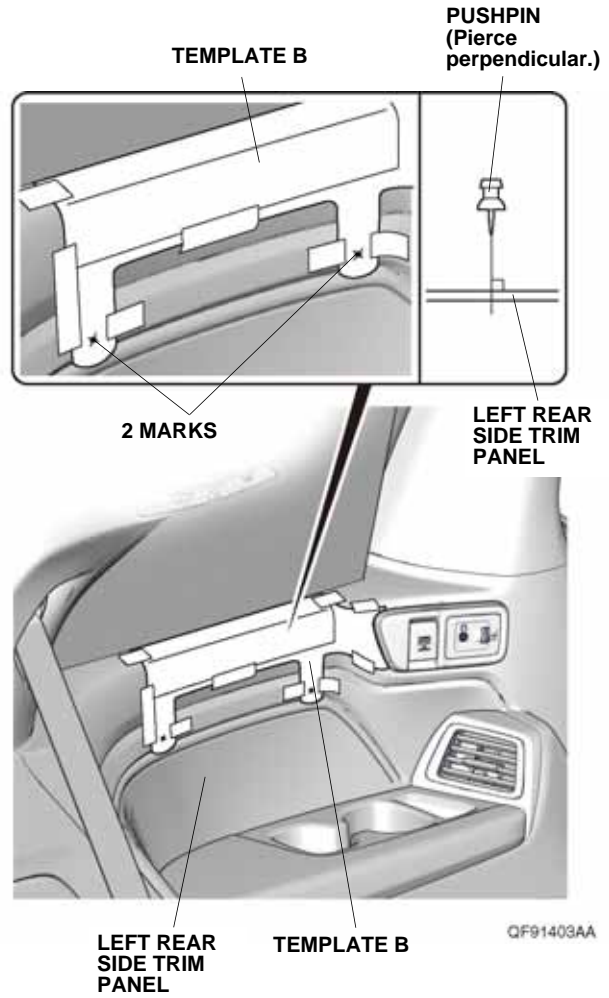
5. Using the printed line as guide, fold template B as shown.



6. Raise the quarter window sunshade. Line up template B with the quarter window sunshade and switch trim on the left rear side trim panel as shown. Tape template B to the left rear side trim panel with masking tape.

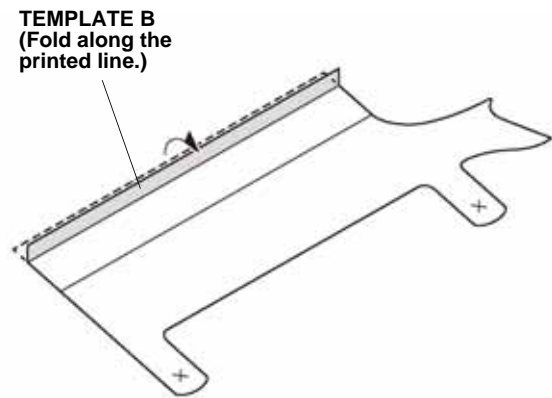


7. Using a pushpin, pierce the left rear side trim panel through template B at the locations shown. Remove template B. Go to step 11.  
NOTE: Make sure to pierce the marks perpendicular to the left rear side trim panel.

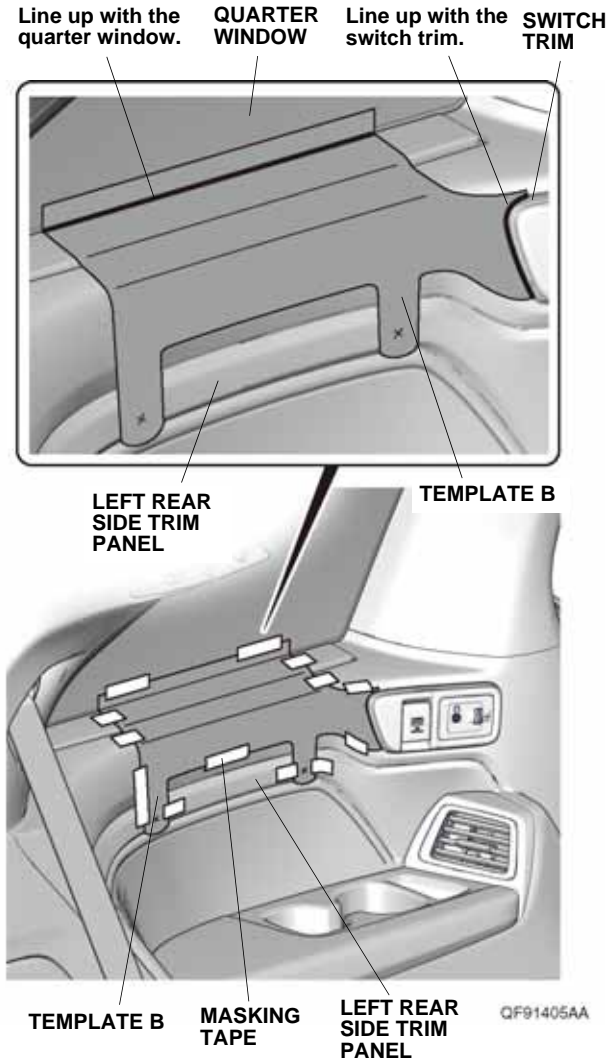


**Without quarter window sunshade**

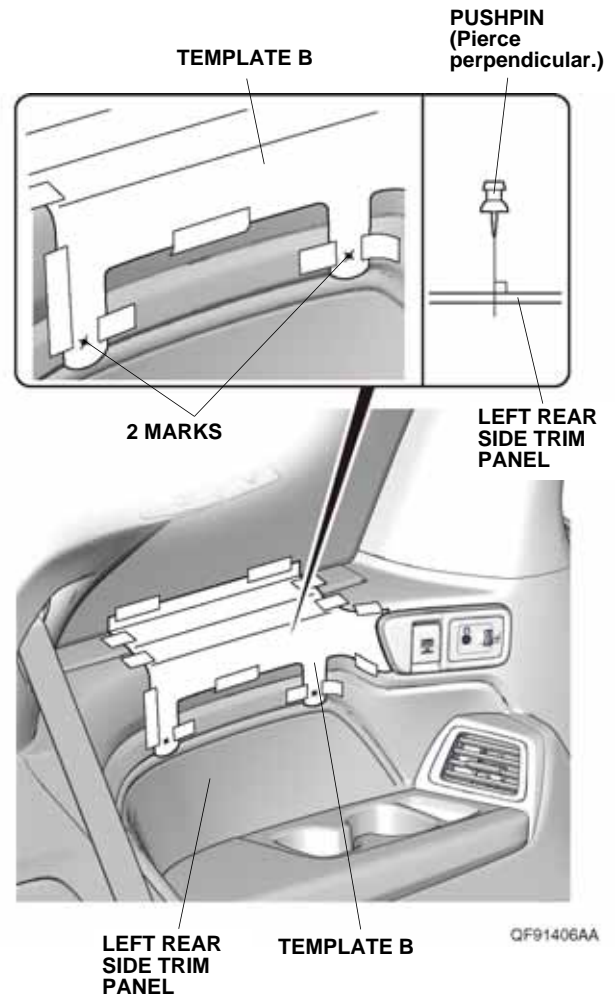
8. Using the printed line as guide, fold template B as shown.



- Line up template B with the quarter window and the switch trim on the left rear side trim panel as shown. Tape template B to the left rear side trim panel with masking tape.



- Using a pushpin, pierce the left rear side trim panel through template B at the locations shown. Remove template B.  
NOTE: Make sure to pierce the marks perpendicular to the left rear side trim panel.



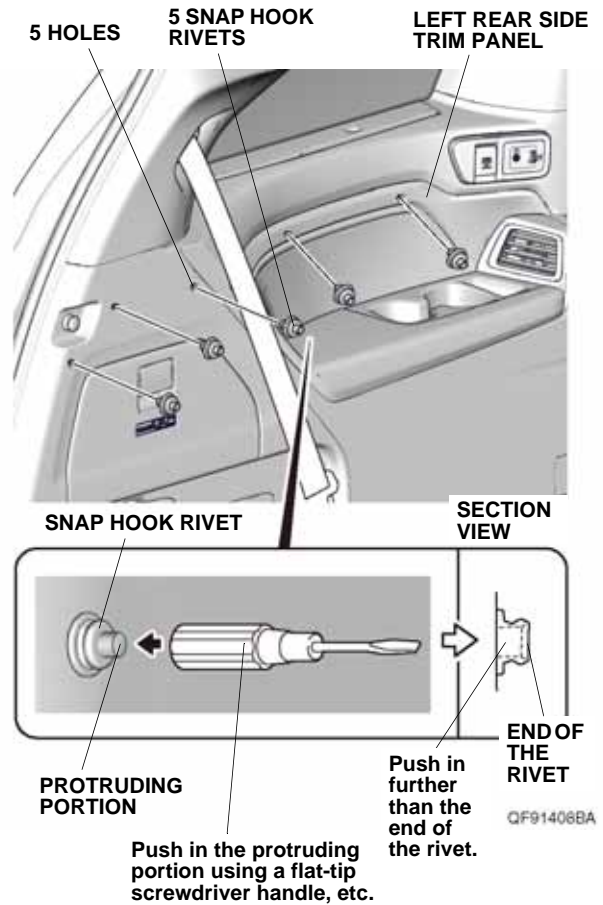
- Turn template A and template B over, and repeat steps 2 through 10 on the right side of the vehicle. Install the weatherstrip.



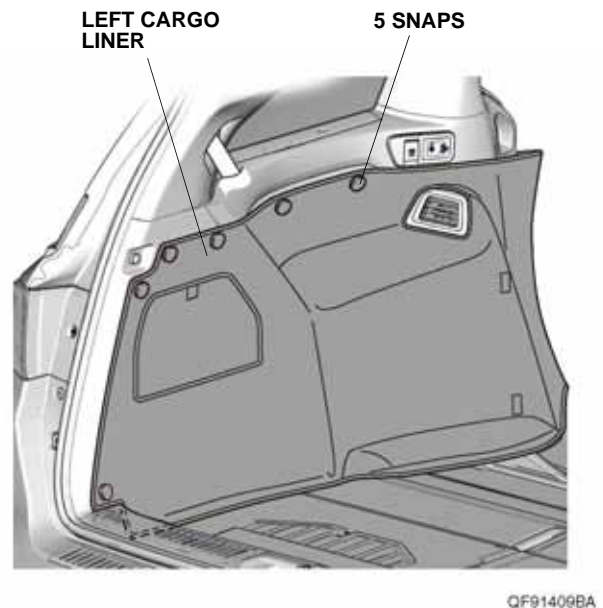
12. While wearing eye protection, drill the five pierced marks on the left rear side trim panel to 6 mm. First drill with a 3 mm drill bit and finish with a 6 mm drill bit. Remove any burrs.  
 NOTE: Wrap masking tape around the 3 mm and 6 mm drill bits 10 mm (0.39 in.) from the tip, or use a drill stop. Make sure to drill perpendicular to the left rear side trim panel.



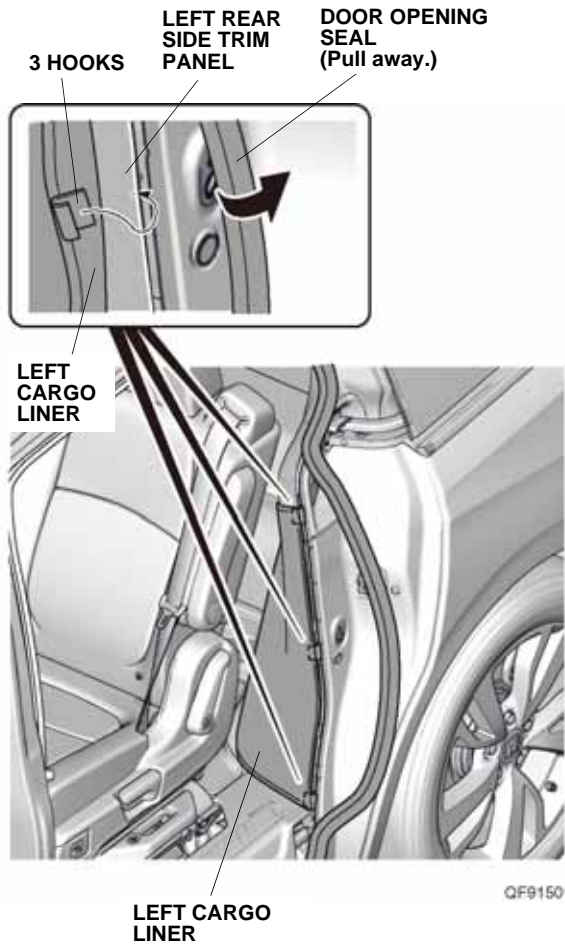
13. Install the five snap hook rivets into the five holes on the left rear side trim panel as shown.



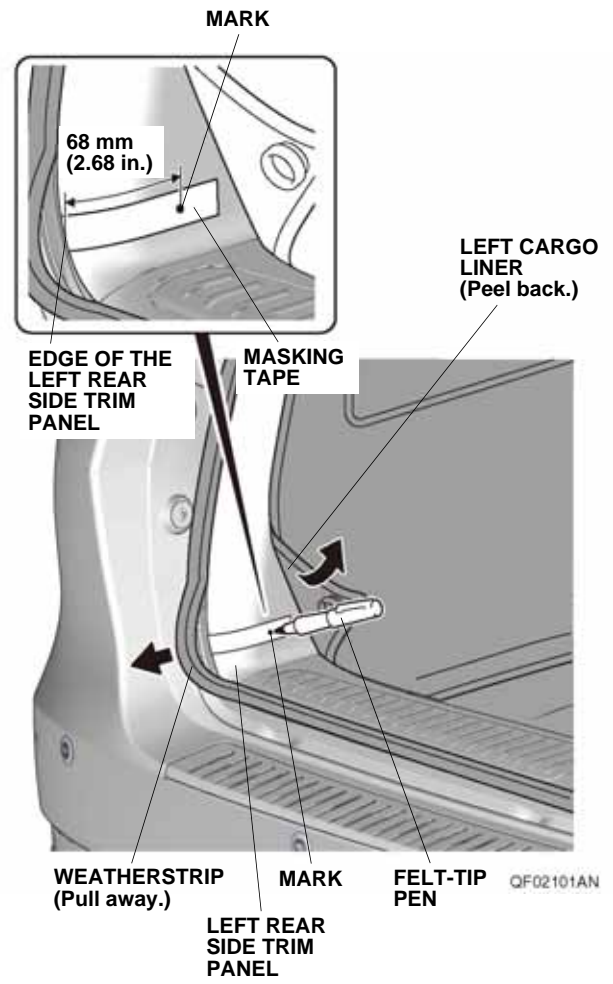
14. Place the left cargo liner on the left rear side trim panel as shown. Secure the left cargo liner to the left rear side trim panel with five snaps.



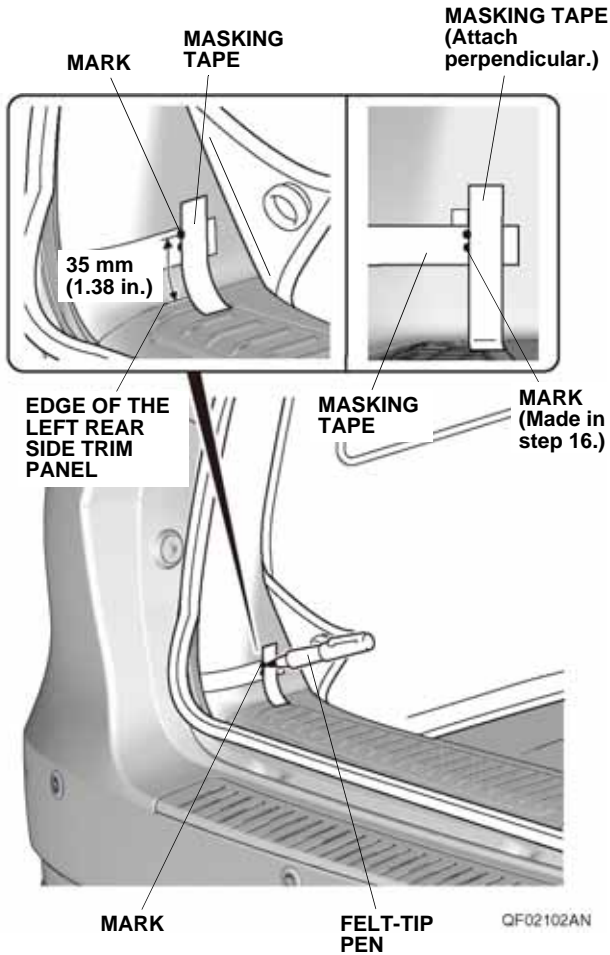
15. Open the sliding door. Pull away the door opening seal. Secure the left cargo liner to the left rear side trim panel with three hooks as shown. Install the door opening seal.



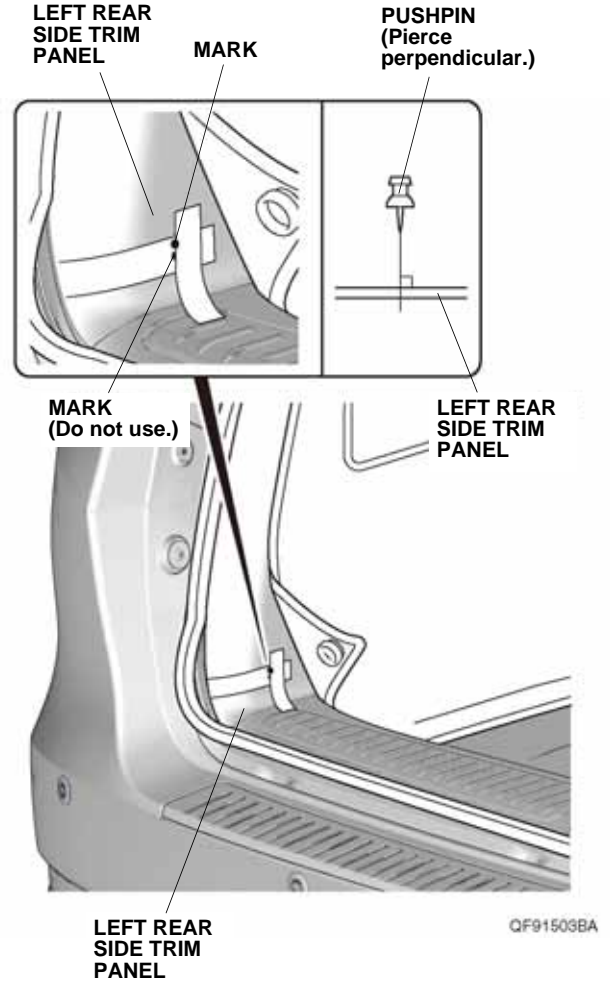
16. Pull away the weatherstrip, and peel back the left cargo liner. Attach a piece of masking tape to the left rear side trim panel just above the curve as shown. Using a felt-tip pen, mark the masking tape as shown.



17. Attach a piece of masking tape to the left rear side trim panel as shown. Using a felt-tip pen, mark the masking tape as shown.



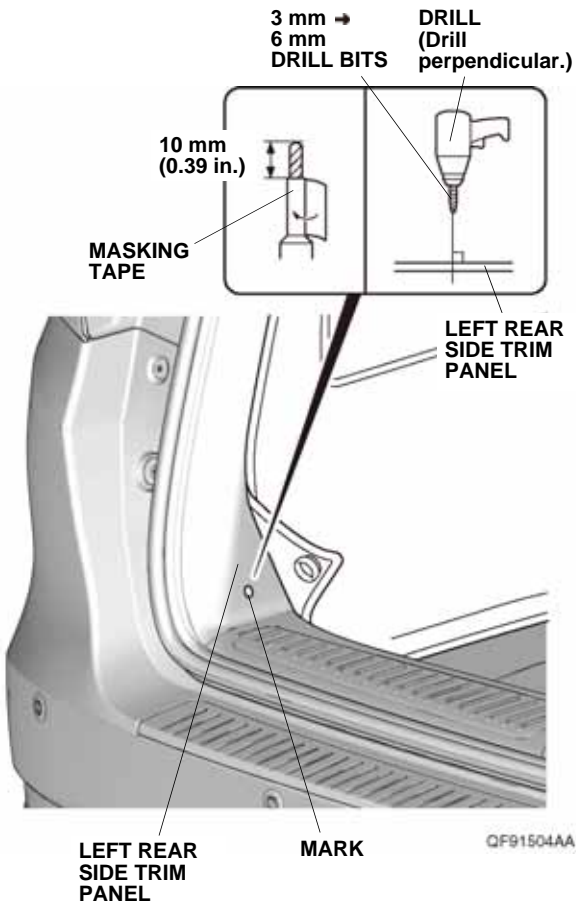
18. Using a pushpin, pierce the left rear side trim panel at the mark made in step 17 on the masking tape. NOTE: There are two marks on the masking tape. Before piercing the left rear side trim panel, verify you have the correct location. Make sure to pierce the mark perpendicular to the left rear side trim panel.



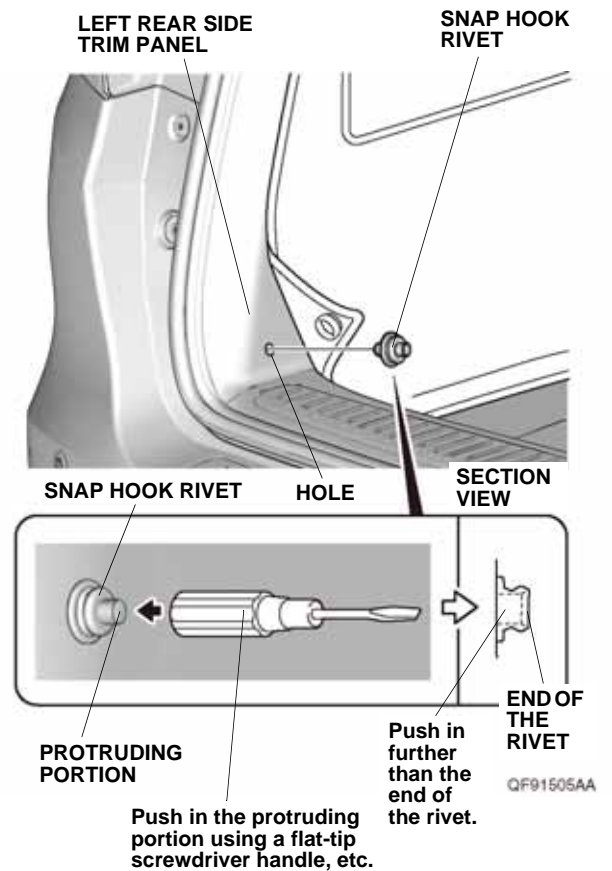
19. Remove the masking tape and install the weatherstrip.



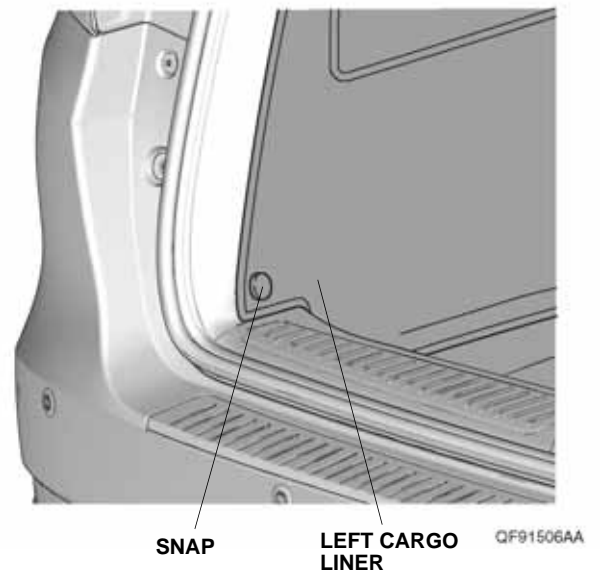
20. While wearing eye protection, drill the pierced mark on the left rear side trim panel to 6 mm. First drill with a 3 mm drill bit and finish with a 6 mm drill bit. Remove any burrs.  
 NOTE: Wrap masking tape around the 3 mm and 6 mm drill bits 10 mm (0.39 in.) from the tip, or use a drill stop. Make sure to drill perpendicular to the left rear side trim panel.



21. Install one snap hook rivet into the hole on the left rear side trim panel as shown.

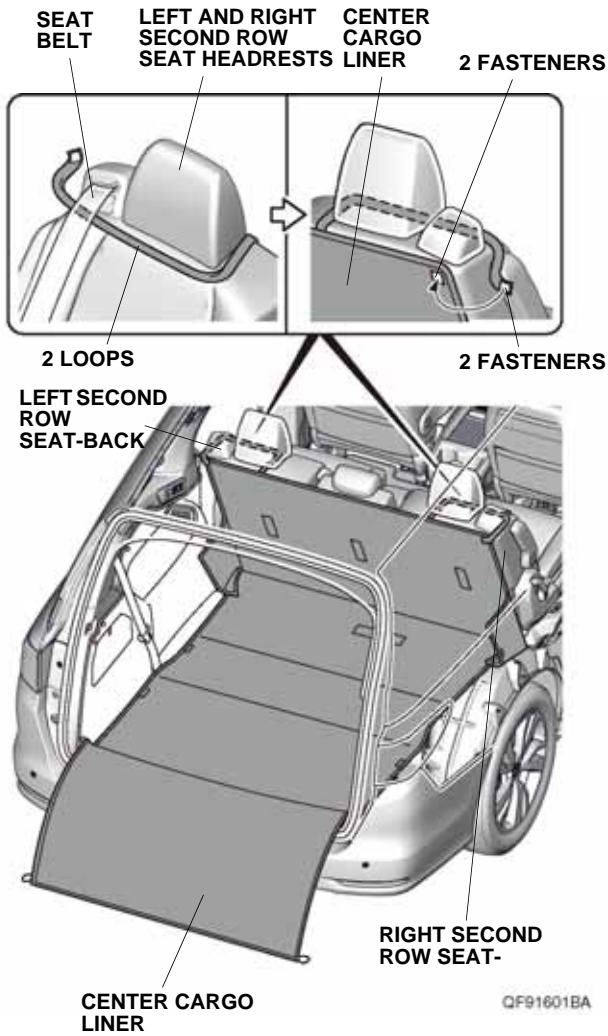


22. Secure the left cargo liner to the left rear side trim panel with one snap as shown.

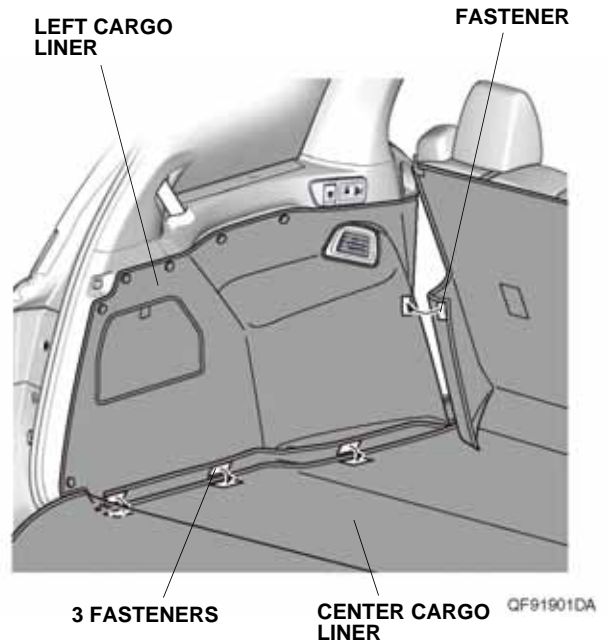


23. Repeat steps 12 through 22 on the right side of the vehicle.

24. Spread the center cargo liner on the cargo area. Install two loops on the center cargo liner around the left and right second row seat headrests and under the seat belt as shown.

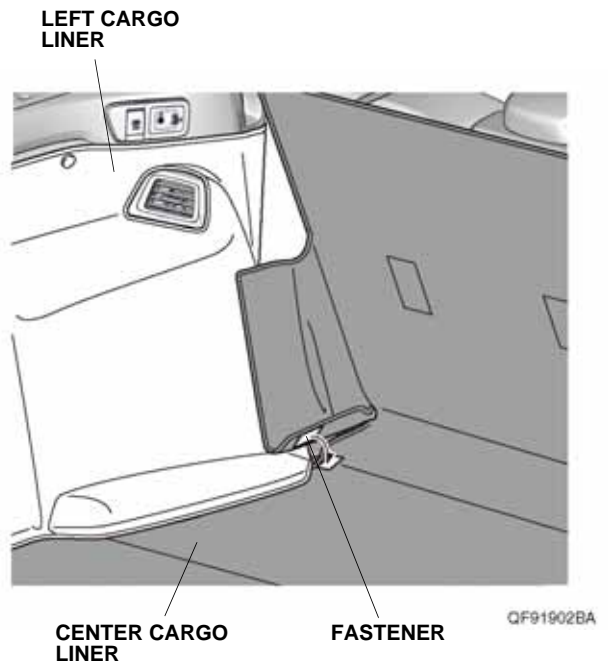


25. Secure the left cargo liner to the center cargo liner with the three fasteners.



26. Secure the center cargo liner to the left cargo liner with the fastener.

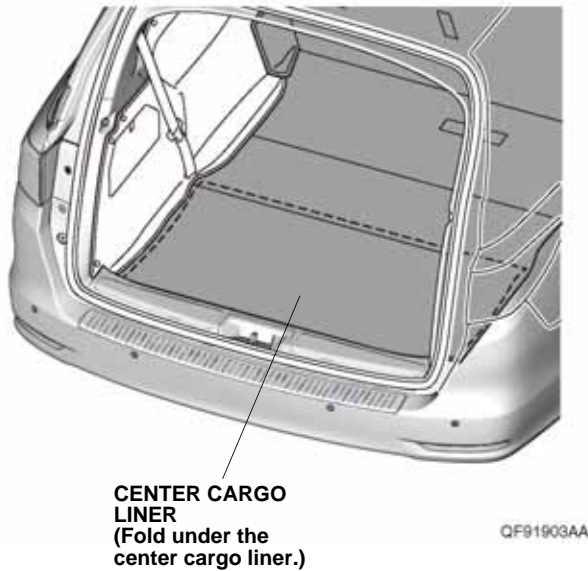
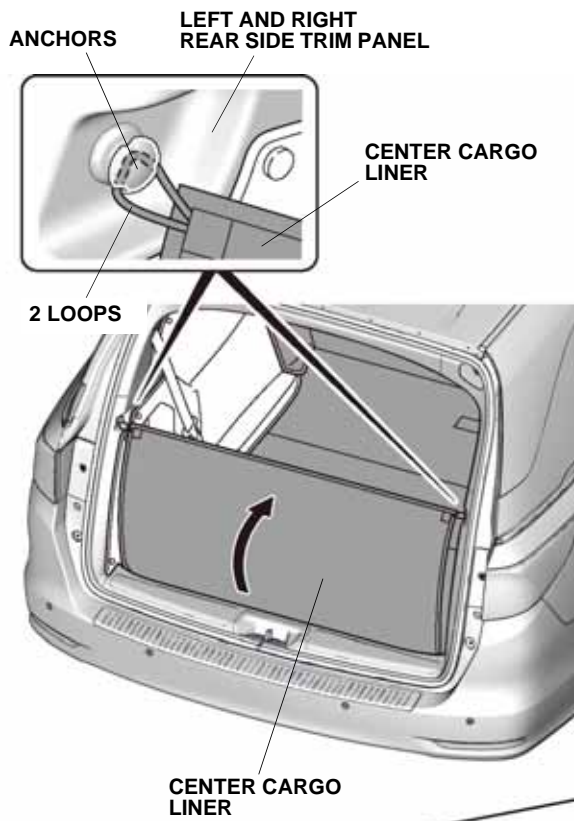
27. Secure the center cargo liner with the fastener.



28. Repeat steps 25 through 27 on the right side of the vehicle.

## USE AND CARE

- To store the center cargo liner, secure the center cargo liner to the anchors on the left and right rear side trim panel, or fold it under the center cargo liner.



## Free Manuals Download Website

<http://myh66.com>

<http://usermanuals.us>

<http://www.somanuals.com>

<http://www.4manuals.cc>

<http://www.manual-lib.com>

<http://www.404manual.com>

<http://www.luxmanual.com>

<http://aubethermostatmanual.com>

Golf course search by state

<http://golfingnear.com>

Email search by domain

<http://emailbydomain.com>

Auto manuals search

<http://auto.somanuals.com>

TV manuals search

<http://tv.somanuals.com>