

32003396-001, 32003396-002 ML7999 Actuator Mounting Kit

INSTALLATION INSTRUCTIONS

APPLICATION

This document provides installation instructions for using the 32003396-001 or 32003396-002 Mounting Kit to connect the ML7999A Universal Parallel-Positioning Actuator to the V51E Gas Valve.

SPECIFICATIONS

Models:

32003396-001 Mounting Kit for 1-1/2 and 2 in. V51E Gas Valves (3/8 in. stem).

32003395-001 Mounting Bracket.
201391 Angle Bracket.

32003560-001 Nylon Patch Torx® Screw, 0.250-20 UNC-2A, four each.

32001403-063 Machine Thread Torx® Screw, 0.250-20 UNC-2A.

32001405-038 Nylon Lock Nut, 0.250-20 UNC-2B, 2 each.

32001406-020 1/4 in. Plain Washer, two each.
69-1335 Installation Instructions.

32003396-002 Mounting Kit for 2-1/2, 3 and 4 in. V51E Valves (1/2 in. stem).

32003194-001 Mounting Bracket.

32003560-001 Nylon Patch Torx® Screw, 0.250-20 UNC-2A, four each.

32001403-063 Machine Thread Torx® Screw, 0.250-20 UNC-2A.

32001405-038 Nylon Lock Nut, 0.250-20 UNC-2B, 2 each.

32001406-020 1/4 in. Plain Washer, two each.
69-1335 Installation Instructions.

Torx® is a trademark of Camcar/Textron, Inc.

To directly connect the ML7999A Actuator to the V51E Valve using the mounting kit (Fig. 1):

1. Turn off the gas supply upstream from the applicable V51E Valve.
2. Remove all external hardware (actuator connecting arms, springs, mounting panels, etc.) from the V51E Valve.

IMPORTANT

If using the 32003396-001 Mounting Kit, insert the Angle Bracket in the ML7999A Actuator as shown.

3. Insert the V51E Valve shaft into the ML7999A Actuator and tighten securely.
4. Position the mounting bracket so that the slots in the bracket are aligned with the screw holes in the top of the V51E Valve.
5. Insert the four 32003560-001 screws through the bracket and into the holes on the valve. Do not tighten completely at this time.
6. Thread the 32001403-063 screw through the hole in the upper part of the mounting bracket that aligns with the hole in the ML7999A bracket.
7. Thread one of the 32001405-038 nylon lock nuts on the screw and tighten against the back of the mounting bracket.
8. Place a 32001406-020 washer on the screw and insert the screw through the actuator bracket.
9. Place the second washer on the screw from the other side of the actuator bracket and thread the remaining nylon lock nut on the screw. Do not tighten completely at this time.
10. Check that the screws holding the valve shaft to the actuator are securely tightened.
11. Tighten all remaining screws and lock nuts to secure the mounting bracket to the valve and the actuator.
12. Following the instructions in form 65-0239, wire the ML7999A Actuator.
13. Turn on the gas supply to the V51E Valve and restore power to the system.

INSTALLATION

WARNING

Fire or Explosion Hazard.

Can cause serious injury or death.

Turn off gas supply upstream from V51E valve to prevent fire, explosion or asphyxiation hazard.



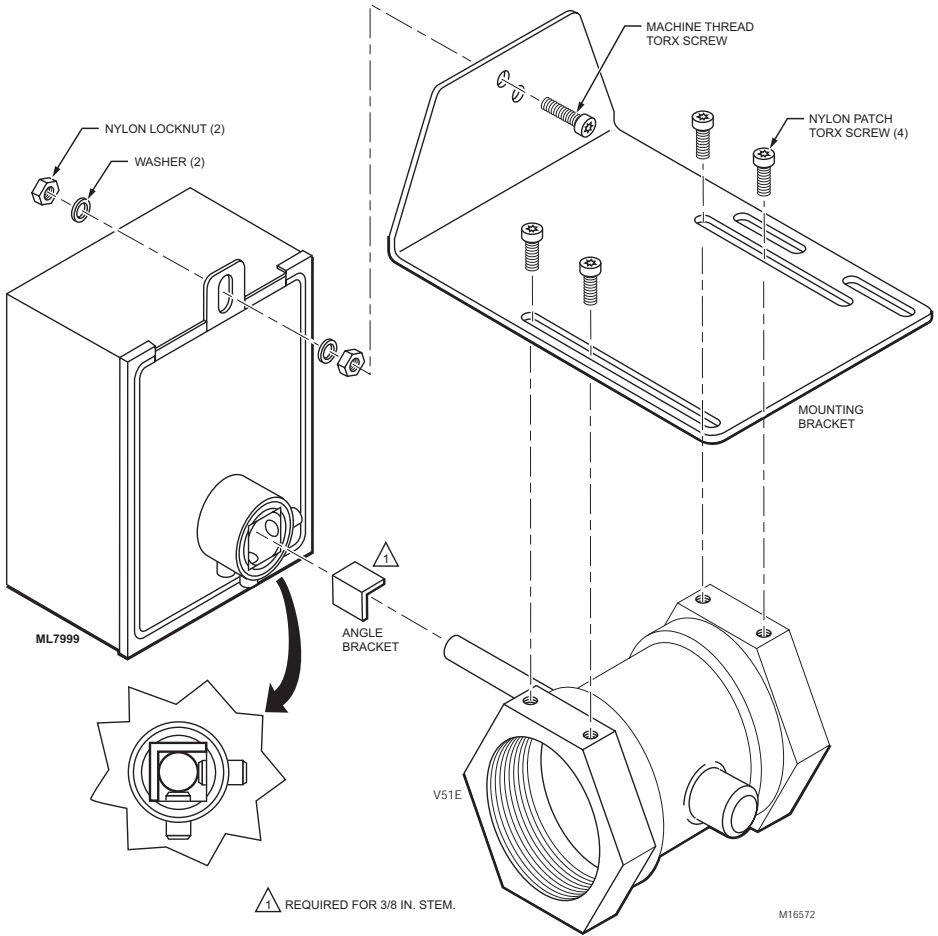


Fig. 1. Connecting the ML7999A Actuator to the V51E Valve using the 320003396 Mounting Kit.

CHECKOUT

Follow the checkout procedures in form 65-0239 for the ML7999A Actuator and in form 60-2102 for the V51E Valve.

Honeywell

Automation and Control Solutions

Honeywell International Inc.
1985 Douglas Drive North
Golden Valley, MN 55422

Honeywell Limited-Honeywell Limitée
35 Dynamic Drive
Scarborough, Ontario
M1V 4Z9



Free Manuals Download Website

<http://myh66.com>

<http://usermanuals.us>

<http://www.somanuals.com>

<http://www.4manuals.cc>

<http://www.manual-lib.com>

<http://www.404manual.com>

<http://www.luxmanual.com>

<http://aubethermostatmanual.com>

Golf course search by state

<http://golfingnear.com>

Email search by domain

<http://emailbydomain.com>

Auto manuals search

<http://auto.somanuals.com>

TV manuals search

<http://tv.somanuals.com>