

## T8602C Chronotherm® IV Deluxe Programmable Thermostats

### INSTALLATION INSTRUCTIONS

### APPLICATION

The T8602 Chronotherm® IV Deluxe Programmable Thermostat provides electronic control of 24 Vac single-stage heating and cooling systems or 750 mV heating system. Refer to Table 1 for a general description of the thermostat. All T8602 thermostats are powered by batteries.

Table 1. Description of T8602 Thermostats.

T8602	System	Changeover	System Selection	Fan Selection	Comments
C	Heat-Cool	Manual	Heat-Off-Cool	On-Auto	System and fan selections are made on keyboard.



### MERCURY NOTICE

If this control is replacing a control that contains mercury in a sealed tube, do not place your old control in the trash. Dispose of properly.

Contact your local waste management authority for instructions regarding recycling and the proper disposal of the old control.

### INSTALLATION

#### When Installing this Product...

1. Read these instructions carefully. Failure to follow the instructions can damage the product or cause a hazardous condition.
2. Check the ratings given in the instructions and on the product to make sure the product is suitable for your application.
3. Installer must be a trained, experienced service technician.
4. After completing installation, use these instructions to check out the product operation.

#### Location

Install the thermostat about 5 ft (1.5m) above the floor in an area with good air circulation at average temperature. See Fig. 1.

Do not install the thermostat where it can be affected by:

- drafts, or dead spots behind doors and in corners.
- hot or cold air from ducts.
- radiant heat from sun or appliances.
- concealed pipes and chimneys.
- unheated (uncooled) areas such as an outside wall behind the thermostat.

#### Wallplate Installation

The thermostat can be mounted horizontally on the wall or on a 2 in. x 4 in. (50.8 mm x 101.6 mm) wiring box. Position wallplate horizontally on the wall or on a 2 in. x 4 in. (50.8 mm x 101.6 mm) wiring box.



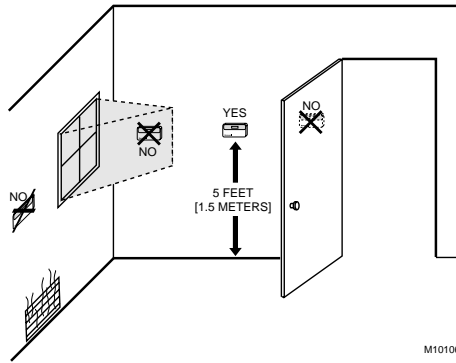


Fig. 1. Typical location of thermostat.

1. Position and level the wallplate (for appearance only). The thermostat functions correctly even when not level.
2. Use a pencil to mark the mounting holes. See Fig. 2.
3. Remove the wallplate from the wall and drill two 3/16 inch (76 mm) holes in the wall (if drywall) as marked. For firmer material such as plaster, drill two 7/32 inch (5.56 mm) holes. Gently tap anchors (provided) into drilled holes until flush with wall.
4. Position the wallplate over the holes, pulling wires through the wiring opening.
5. Loosely insert the mounting screws into the holes.
6. Tighten mounting screws.

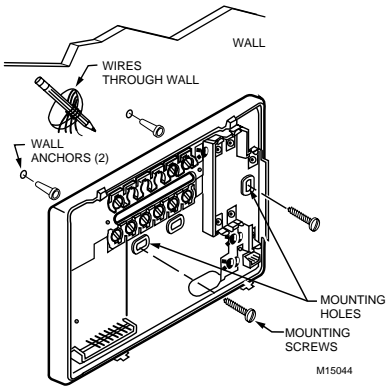


Fig. 2. Mounting the wallplate.

## WIRING

All wiring must comply with local electrical codes and ordinances. Refer to Fig. 3 and 6 for typical hookup. A letter code is located near each terminal for identification.



## CAUTION

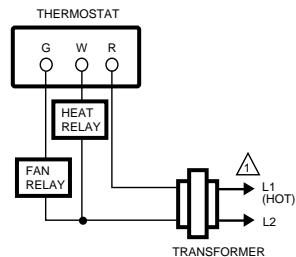
**Electrical Hazard.**  
**Can cause electric shock or equipment damage.**  
 Disconnect power before wiring.

1. Loosen the terminal screws on the wallplate and connect the system wires. See Fig. 7.

## IMPORTANT

Use 18 gauge, color-coded thermostat cable for proper wiring.

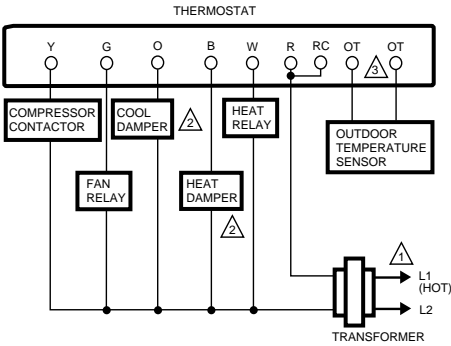
2. Securely tighten each terminal screw.
3. Push excess wire back into the hole.
4. Plug the hole with nonflammable insulation to prevent drafts from affecting the thermostat.



⚠ POWER SUPPLY. PROVIDE DISCONNECT MEANS AND OVERLOAD PROTECTION AS REQUIRED.

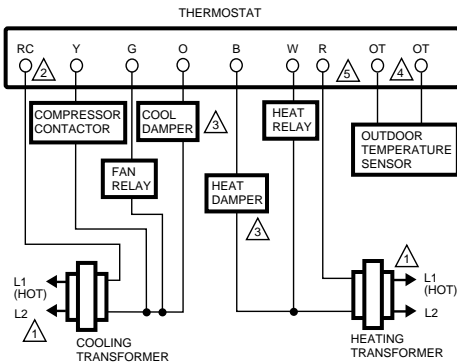
M10409

Fig. 3. Typical hookup in heat application.



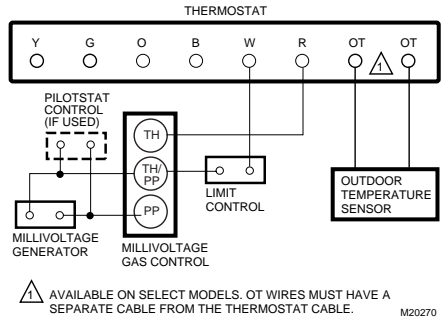
- 1 POWER SUPPLY. PROVIDE DISCONNECT MEANS AND OVERLOAD PROTECTION AS REQUIRED.
- 2 CAN BE USED FOR CHANGEOVER VALVE ON SINGLE-STAGE HEAT PUMP SYSTEMS.
- 3 AVAILABLE ON SELECT MODELS. OT WIRES MUST HAVE A SEPARATE CABLE FROM THE THERMOSTAT CABLE. M10347A

Fig. 4. Typical hookup in heat and cool system with one transformer.



- 1 POWER SUPPLY. PROVIDE DISCONNECT MEANS AND OVERLOAD PROTECTION AS REQUIRED.
- 2 JUMPER RC TERMINAL TO R TERMINAL WHEN INSTALLED ON A ONE TRANSFORMER SYSTEM.
- 3 CAN BE USED FOR CHANGEOVER VALVE ON SINGLE-STAGE HEAT PUMP SYSTEMS.
- 4 AVAILABLE ON SELECT MODELS. OT WIRES MUST HAVE A SEPARATE CABLE FROM THE THERMOSTAT CABLE.
- 5 T8600D MODELS REQUIRE POWER TO R TERMINAL AT ALL TIMES. M10348

Fig. 5. Typical hookup in heat and cool system with two transformers.



AVAILABLE ON SELECT MODELS. OT WIRES MUST HAVE A SEPARATE CABLE FROM THE THERMOSTAT CABLE. M20270

Fig. 6. T8602 typical millivoltage heating circuit.

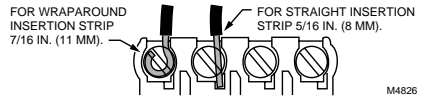


Fig. 7. Correct wiring technique.

### Mounting Thermostat

1. Engage tabs at the top of the thermostat and wallplate. See Fig. 8.
2. Press lower edge of case to close and latch.

NOTE: To remove the thermostat from the wall, first pull out at the bottom of the thermostat; remove top last.

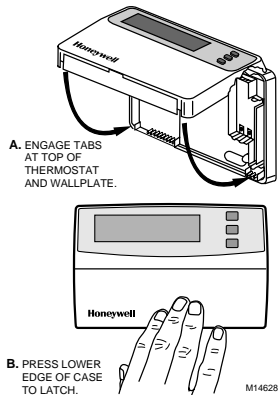


Fig. 8. Mounting thermostat on wallplate.

## Using Thermostat Keys

The thermostat keys are used to:

- set current day and time,
- program times and setpoints for heating and cooling,
- temporarily override program temperatures,
- display present setting,

- configure Installer Setup,
- check Self-Test,
- display outdoor temperature (select models),

See Fig. 9 for location of the keys.

NOTE: Always press the keys with your fingertip or similar blunt tool. Sharp instruments like a pen or pencil point can damage the keyboard.

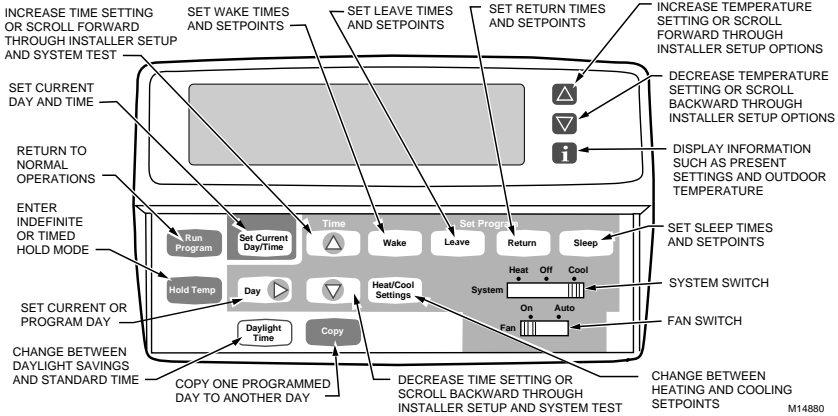


Fig. 9. T8602D key locations and descriptions.

## SETTINGS

### System and Fan Settings

The system default setting is Heat and the fan default setting is Auto. Use the System and Fan keys to change the settings. See Fig. 10.

System settings control the thermostat operation:

- Heat: The thermostat controls the heating.
- Off: Both the heating and cooling are off.
- Cool: The thermostat controls the cooling.

Fan settings control the system fan:

- On: Fan operates continuously.
- Auto: Fan operates with equipment.

### Temperature Settings

Refer to Table 2 for the default program. If the daytime energy savings period is not used, press the period key (Leave or Return) until the time is blank. See Owner's Guide for complete instructions on changing the program.

Table 2. Default Program Settings.

Period	Time	Heat Setpoint	Cool Setpoint
Wake	6:00 AM	70°F (21°C)	78°F (25.5°C)
Leave	8:00AM	62°F (16.5°C)	85°F (29.5°C)
Return	5:00 PM	70°F (21°C)	78°F (25.5°C)
Sleep	10:00 PM	62°F (16.5°C)	82°F (28°C)

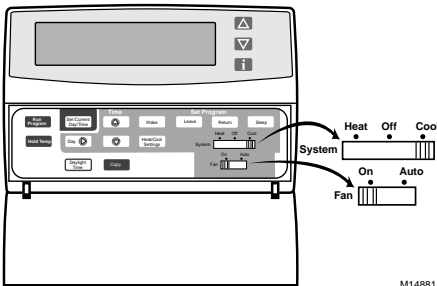


Fig. 10. Thermostat System and Fan key locations.

## FAN OPERATION SWITCH

The thermostat fan operation switch, labeled FUEL SWITCH in Fig. 11 is factory set in the F position. This is the correct setting for most systems. If your system is an electric heat system, set the switch to E. The E setting allows the fan to turn on immediately with the heating or cooling in a system where the G terminal is connected.

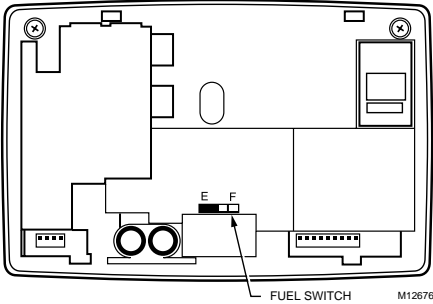


Fig. 11. Fan operation switch.

## INSTALLER SETUP

**NOTE:** For most applications, the thermostat factory-settings do not require changing. Review factory settings in Table 3 and if no changes are necessary, go to the Installer Self-Test section.

The Installer Setup is used to customize the thermostat to specific systems. Some of the options include temperature display and outdoor temperature display. Installer Setup numbers are listed in Table 3. The table includes all the configuration options and the factory settings for the T8602.

A combination of key presses are required to use the Installer Setup feature:

- To enter the installer setup, press and hold the information **i** key with the increase **▲** and decrease **▼** keys until the first number is displayed. All display segments appear for approximately three seconds before the number is displayed. See Fig. 12 and 13.

- To advance to the next Installer Setup, press the Time **Δ** key.
- To change a setting, use the increase **▲** or decrease **▼** key.
- To scroll the Installer Setup numbers backward, press the Time **∇** key.
- To exit the Installer Setup, press Run Program.



Fig. 12. Display of all LCD segments.

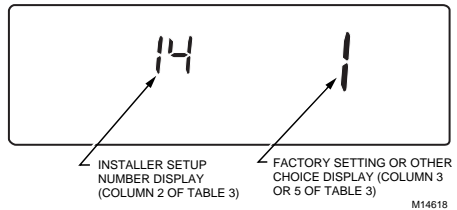


Fig. 13. Display of Installer Setup number and setting.

### IMPORTANT

*Only configurable numbers are shown on the device. Example: If thermostat does not have a system key, Installer Setup Number 12 will not be displayed. Review Table 3 factory-settings and mark any desired changes in the Actual Setting column. When Installer Setup is complete, review the settings to confirm that they match the system.*

**Table 3. Thermostat Installer Setup Options.**

Select	Installer Setup Number (Press Time $\Delta$ key to change)	Factory Setting		Other Choices (Press $\blacktriangle$ or $\blacktriangledown$ key to change)		Actual Setting
		Display	Description	Display	Description	
Not Used.	1 thru 3	—	—	—	—	—
Heating cycle rate.	4	6	6—6 cph used for conventional heat	1, 3 or 9	1—1 cph used for radiant floor heat, gravity system 3—3 cph used for hot water systems or high efficiency furnaces 9—9 cph used for electric heat systems	—
Not Used.	5 thru 12	—	—	—	—	—
Adaptive Intelligent Recovery™ control.	13	0	Adaptive Intelligent Recovery™ control is activated (system starts early so setpoint is reached by start of program period).	1	Conventional recovery (system starts recovery at programmed time).	—
Degree temperature display	14	0	Temperature is displayed in °F	1	Temperature is displayed in °C	—
Not Used.	15	—	—	—	—	—
Clock format.	16	0	12-hour clock format.	1	24-hour clock format.	—
Not Used.	17 thru 23	—	—	—	—	—
Outdoor temperature display (models with OT terminals).	24	0	No outdoor temperature is displayed.	1	Outdoor temperature is displayed. Needs a C7089B1000 Outdoor Temperature Sensor to operate.	—
Not Used.	25 thru 32	—	—	—	—	—
Minimum off time for the compressor.	33	5	5 minute minimum off time for the compressor.	0 thru 4	Minimum number of minutes (0 thru 5) the compressor is off between calls for the compressor.	—
Temperature range stops in heating.	34	90	Highest heating setpoint setting.	40 to 89	Temperature range (1°F increments) of heating setpoint settings.	—
Temperature range stops in cooling.	35	45	Lowest cooling setpoint setting.	46 to 99	Temperature range (1°F increments) of cooling setpoint settings.	—
Not Used.	36	—	—	—	—	—

Table 3. Thermostat Installer Setup Options. (Continued)

Select	Installer Setup Number (Press Time $\Delta$ key to change)	Factory Setting		Other Choices (Press $\blacktriangle$ or $\blacktriangledown$ key to change)		Actual Setting
		Display	Description	Display	Description	
Temperature display adjustment.	37	0	No difference in displayed temperature and actual room temperature.	3 thru -3	1—Display adjusts to 1°F higher than actual room temperature. 2—Display adjusts to 2°F higher than actual room temperature. 3—Display adjusts to 3°F higher than actual room temperature. -1—Display adjusts to 1°F lower than actual room temperature. -2—Display adjusts to 2°F lower than actual room temperature. -3—Display adjusts to 3°F lower than actual room temperature.	
Furnace Air Filter Timer.	43	2	90 days (calendar days)	0, 1, 3, 4	0 – off 1 – 30 days 3 – 180 days 4 – 365 days (Time is counted by calendar days in any mode.)	
Humidifier Pad Monitor.	44	0	Off	1, 2, 3	1 – 90 days 2 – 180 days 3 – 365 days (Time is counted by calendar days in heat mode.)	
Ultraviolet (UV) Air Treatment System Lamp Monitor.	45	0	Off	1	1 – 365 days (Time is counted by calendar days in any mode.)	

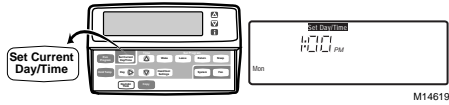
**IMPORTANT**

Review the settings to confirm that they match the system. Press Run Program to exit the Installer Setup. The thermostat has saved the Installer Setup changes and initiated a reset in order to operate using the new settings. Be sure to set the current day and time immediately.

## Setting Current Day and Time

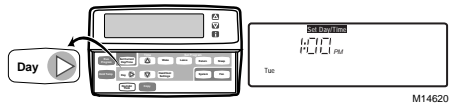
1. Press Set Current Day/Time.

NOTE: On initial powerup or after an extended power loss, 1:00 pm flashes on the display until a key is pressed.



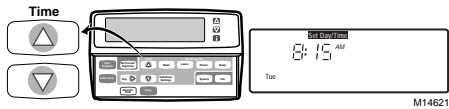
2. Press Day until the current day is displayed.

NOTE: Sun=Sunday, Mon=Monday, Tue=Tuesday, Wed=Wednesday, Thu=Thursday, Fri=Friday, Sat=Saturday.

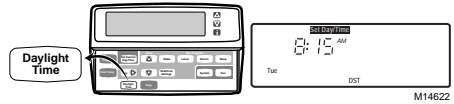


3. Press Time Δ or Time ∇ until the current time is displayed.

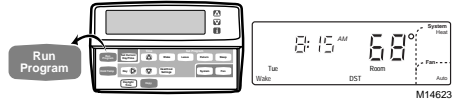
NOTE: Tapping the Set Current Day/Time changes the time in one hour increments.



NOTE: If the current time is Daylight Savings Time, press Daylight Time until DST is displayed.



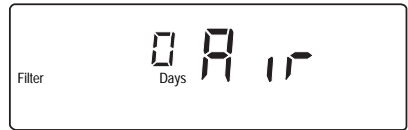
4. Press Run Program.



## View or Reset Timer Settings

When the thermostat activates a timer, the thermostat flashes **Filter** until the timer resets.

1. Reset the timer by pressing the i key until the expired timer is displayed.



2. Press the Time Δ key to reset the timer.



3. Press the Run Program key.

NOTE: You can view the number of days remaining at any time by pressing the i key three or four times. If more than one timer is active, all active timers show sequentially when pressing the i key several times.



# INSTALLER SYSTEM TEST

Use the Installer System Test to check the thermostat operation. Refer to Table 4 for a list of the available system tests.

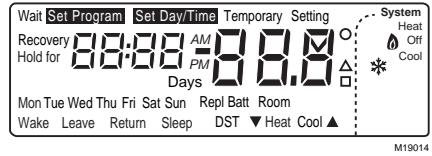
## CAUTION

**Equipment Damage Hazard.**  
**Minimum compressor off-time is bypassed during Installer System Test.**  
 Avoid cycling compressor quickly.

To start the system test:  
 Press and hold the increase ▲ and decrease ▼ keys at the same time until 10 appears. All segments of the display will be displayed before the 10 appears. See Fig. 13 and 14.

**Table 4. Tests Available In Installer System Test.**

Test Number	System Test Description
10-19	Heating equipment can be turned on and off.
30-39	Cooling equipment can be turned on and off.
40-49	Fan equipment can be turned on and off.
60 0 to 60 19	Keyboard keys test.



**Fig. 14. Display of all LCD segments.**



**Fig. 15. Display of test number.**

Refer to Table 5 for the directions and results of the specific tests.

NOTE: Press Time Δ to advance to the next test and Time ▼ to go back to the previous test. Press Run Program to exit the system test.

**Table 5. Installer System Test Options.**

Keys to Press	Test Number	Description
<b>Heating Equipment System Test</b>		
Time Δ	10	Enter heating equipment system test.
▲	11	Heat comes on. When Installer Setup number 2 is 1, the system fan is also energized.
▼	10	Heat and system fan turn off.
<b>Cooling Equipment System Test</b>		
Time Δ	30	Change from heating to cooling equipment system test.
▲	31	Cool and system fan come on.
▼	30	Cool and system fan turn off.
<b>Fan Equipment System Test</b>		
Time Δ	40	Change from cooling to fan equipment system test.
▲	41	Fan comes on.
▼	40	Fan turns off.
<b>Key Operation System Test</b>		
Time Δ	60 2	Change from fan to key operation system test.

NOTE: Press any key and the displayed numbers change. Press Time ▼ to go to the previous test and Time Δ to go to the next test. The Run Program key will not exit this test. Press Time Δ or Time ▼ and then the Run Program key to exit.

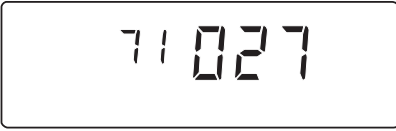
## THERMOSTAT INFORMATION

1. Press the Time  $\Delta$  key to access the thermostat information.



M14613

2. Press the increase  $\blacktriangle$  key to display the production date code. The first two large digits are the month and the third digit is the last digit of the year. (Example: 027 = February 1997).



M14614

3. Press the increase  $\blacktriangle$  key again to display the software identification code. (Example: 02 = software ID code 2).



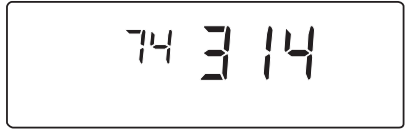
M14615

4. Press the increase  $\blacktriangle$  key again to display the software revision number. (Example: 001 = Revision number 1).



M14616

5. Press the increase  $\blacktriangle$  key again to display the EEPROM identification code. (Example: 314 = EEPROM ID 314).



M14617

6. Press the Run Program key to exit the System Test. The System Test times out after four minutes without any key presses.

## CHECKOUT

### Outdoor Temperature Sensor (Select Models)

Allow the outdoor temperature sensor to absorb the outdoor air for a minimum of five minutes before taking a reading.

# TROUBLESHOOTING GUIDE

**Table 6. Troubleshooting Guide.**

Symptom	Possible Cause	Action
Display does not come on.	Thermostat is not being powered.	<ul style="list-style-type: none"> <li>• Check if batteries are present and installed correctly.               <ul style="list-style-type: none"> <li>— If batteries are present and installed correctly, replace thermostat.</li> </ul> </li> </ul>
Temperature display is incorrect.	Room temperature display has been reconfigured.	Enter Installer Setup number 37 and reconfigure the display.
	Thermostat is configured for °F or °C display.	Enter Installer Setup number 14 and reconfigure the display.
	Bad thermostat location.	Relocate the thermostat.
Temperature settings do not change. (Example: Cannot set the heating higher or the cooling lower.)	The upper or lower temperature limits were reached.	Check the temperature setpoints: <ul style="list-style-type: none"> <li>• Heating limits are 40 to 90°F (4.5 to 32°C)</li> <li>• Cooling limits are 48 to 99°F (7 to 37°C)</li> </ul>
	The setpoint temperature range stops were configured.	Check Installer Setup numbers 34 and 35 and reconfigure the setpoint stops.
Heating does not come on.	No power to the thermostat.	<ul style="list-style-type: none"> <li>• Check for 24 Vac between R and W terminals (check for 750 mV on PowerPile® Systems).               <ul style="list-style-type: none"> <li>— If missing 24 Vac:                   <ul style="list-style-type: none"> <li>— check if the circuit breaker is tripped—reset the circuit breaker.</li> <li>— check if the system fuse is blown—replace the fuse.</li> <li>— check if the power switch on the HVAC equipment is in the Off position—set to the On position.</li> <li>— check wiring between thermostat and HVAC equipment—replace any broken wires and tighten any loose connections.</li> </ul> </li> <li>— If 24 Vac is present, proceed with troubleshooting.</li> </ul> </li> </ul>
	Thermostat minimum off time is activated.	Wait up to five minutes for the system to respond.
	System selection is not set to Heat.	Set system selection to Heat.
	Heating setpoint is below room temperature.	Check heating setpoint. Set heating setpoint to desired temperature.
Cooling does not come on.	No power to the thermostat.	<ul style="list-style-type: none"> <li>• Check for 24 Vac between R or RC and Y terminals               <ul style="list-style-type: none"> <li>— If missing 24 Vac:                   <ul style="list-style-type: none"> <li>— check if the circuit breaker is tripped—reset the circuit breaker.</li> <li>— check if the system fuse is blown—replace the fuse.</li> <li>— check if the power switch on the HVAC equipment is in the Off position—set to the On position.</li> <li>— check wiring between thermostat and HVAC equipment—replace any broken wires and tighten any loose connections.</li> </ul> </li> <li>— If 24 Vac is present, proceed with troubleshooting.</li> </ul> </li> </ul>
	Thermostat minimum off time is activated.	<ul style="list-style-type: none"> <li>• Wait up to five minutes for the system to respond.</li> <li>• Enter Installer Setup number 33. Reconfigure minimum off time (if required).</li> </ul>
	System selection is not set to Cool.	Set system selection to Cool.
	Cool setpoint is above room temperature.	Check cooling setpoint. Set cooling setpoint to desired temperature.

**Table 6. Troubleshooting Guide. (Continued)**

Symptom	Possible Cause	Action
System on indicator (flame=heat, snowflake=cool) is displayed, but no warm or cool air is coming from the registers.	Fan operation set for F (conventional heat) when it should be set for E (electric heat).	Set Fan Operation switch (Fuel switch).
	Conventional heating equipment turns on the fan when the furnace has warmed up to a setpoint.	Wait a minute after seeing the on indicator and then check the registers.
	Heating or cooling equipment is not operating.	Verify operation of heating or cooling equipment in self-test.
Outdoor temperature not displayed <sup>a</sup>	Option not activated.	Enter Installer Setup number 24 and set to 1. Thermostat must have OT terminals and a C7089B1000 installed.
Outdoor temperature display is incorrect <sup>a</sup>	Outdoor sensor is connected incorrectly.	Refer to C7089B1000 Installation Instructions and check wiring between the thermostat and sensor.
	Wrong sensor.	Replace sensor with C7089B1000 Sensor.
Thermostat backlight appears dim.	Backlight can fade over the life of the batteries.	<ul style="list-style-type: none"> <li>• Wait until Replace Battery indicator is illuminated and replace batteries.</li> <li>• Replace batteries now.</li> </ul>

<sup>a</sup> Select models.

**Honeywell**

**Automation and Control Solutions**

Honeywell International Inc  
1985 Douglas Drive North  
Golden Valley, MN 55422

Honeywell Limited-Honeywell Limitée  
35 Dynamic Drive  
Scarborough, Ontario  
M1V 4Z9



## Free Manuals Download Website

<http://myh66.com>

<http://usermanuals.us>

<http://www.somanuals.com>

<http://www.4manuals.cc>

<http://www.manual-lib.com>

<http://www.404manual.com>

<http://www.luxmanual.com>

<http://aubethermostatmanual.com>

Golf course search by state

<http://golfingnear.com>

Email search by domain

<http://emailbydomain.com>

Auto manuals search

<http://auto.somanuals.com>

TV manuals search

<http://tv.somanuals.com>