

TrueDRY™ DH150

Dehumidification System

PROFESSIONAL INSTALLATION GUIDE

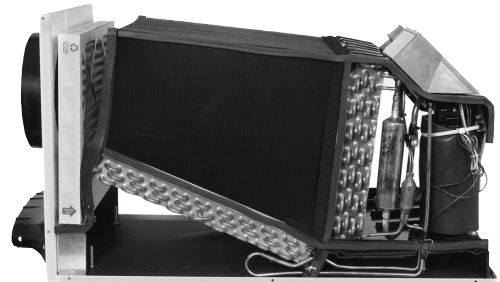
1

Assemble



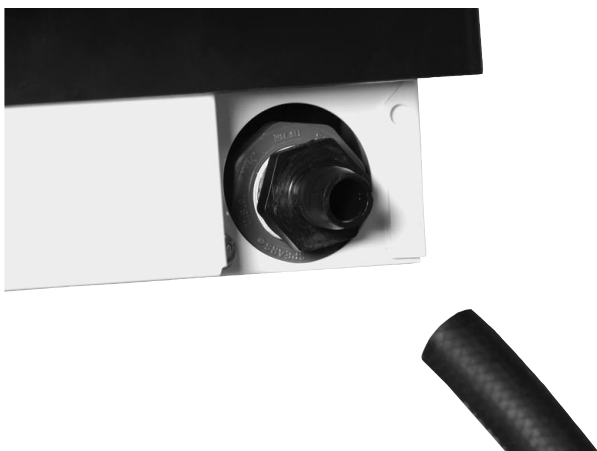
2

Duct



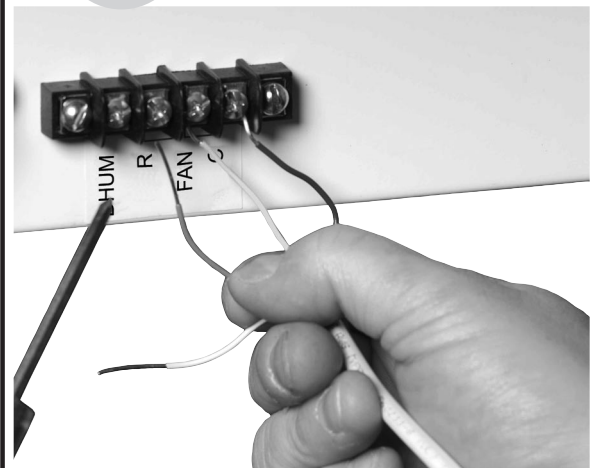
3

Plumb



4

Wire



Must be installed by a trained, experienced technician

Read these instructions carefully. Failure to follow these instructions can damage the product or cause a hazardous condition.



Table of Contents

About your new dehumidifier

Maintaining ideal humidity	1
Controls	2
Specifications.....	3

Installation

Installation Checklist	4
Intended Application	4
Ducting: Install to Fit Your Application	6
Plumbing.....	7
Terminal Descriptions.....	7
Wiring.....	8
Checkout	10

Maintenance

Cleaning.....	11
Troubleshooting	12
Parts List	16
Warranty	17

- Do not install TrueDRY DH150's exhaust end without ducting.
- TrueDRY DH150 is designed to be installed indoors in a space that is protected from rain and flooding.
- Install the unit with space to access the back or side panels for maintenance and service. Do not install with service panels inaccessible.
- Avoid directing the discharge air at people, or over the water in pool areas.
- If used near a pool or spa, be certain there is no chance the unit could fall into the water or be splashed, and that it is plugged into a ground fault interrupt (GFI) outlet.
- Do not use the device as a bench or table.
- To ensure quiet operation, do not place the device directly on the structural supports of the home. Provide vibration isolation to minimize noise.
- A drain pan must be placed under the unit if installed above a living area or above an area where water leakage could cause damage.

Need Help?

For assistance with this product please visit <http://yourhome.honeywell.com>
or call Honeywell Customer Care toll-free at **1-800-468-1502**

Read and save these instructions.

About the TrueDRY DH150 Dehumidifier

The Honeywell TrueDRY DH150 ensures the home is maintained at proper humidity levels through its high performance and efficiency.

Benefits

- Removes up to 150 pints of water from the indoor air.
- Can be ducted for whole-house humidity control, or operate unducted to address moisture problem areas such as an attic or crawl space.
- Easy access panels makes service quick and simple.



Maintaining Ideal Humidity

Dewpoints and relative humidity (RH) affect the way your body senses heat. Higher humidity levels cause the air to feel much hotter than the actual temperature. When TrueDRY is installed properly, your cooling equipment may not run as much because dehumidified air feels cooler than humid air.

WHAT THE AIR FEELS LIKE

HOW HOT THE HEAT-HUMIDITY COMBINATION MAKES IT FEEL.
 EXAMPLE: AIR AT 90°F WITH 50% RH FEELS LIKE 96°F TO THE HUMAN BODY!

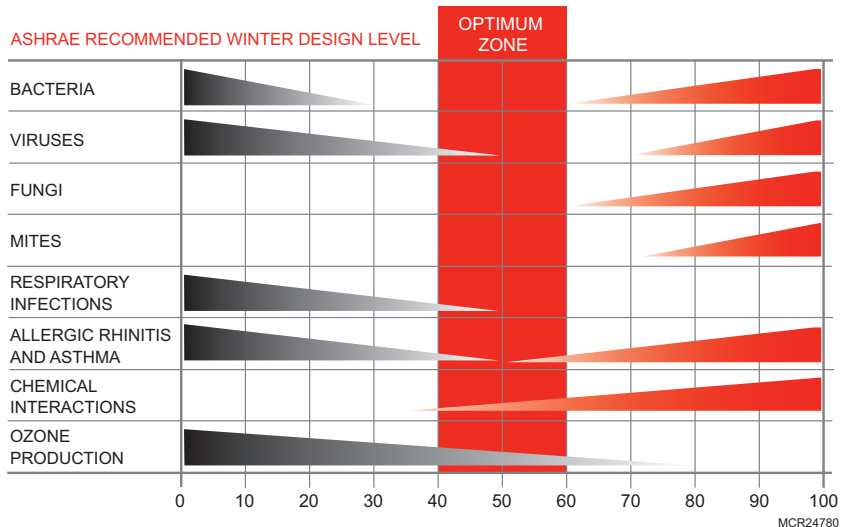
		RELATIVE HUMIDITY (PERCENTAGE)																				
		0	5	10	15	20	25	30	35	40	45	50	55	60	65	70	75	80	85	90	95	100
AIR TEMPERATURE (DEGREES FAHRENHEIT)	100	91	93	95	97	99	101	104	107	110	115	120	126	132	138	144						
	95	87	88	90	91	93	94	96	98	101	104	107	110	114	118	124	130	136				
	90	83	84	85	86	87	88	90	91	93	95	96	98	100	102	106	109	113	117	122		
	85	78	79	80	81	82	83	84	85	86	87	88	89	90	91	93	95	97	99	102	105	108
	80	73	74	75	76	77	77	78	79	79	80	81	81	82	83	85	86	86	87	88	89	91
	75	69	69	70	71	72	72	73	74	74	75	75	76	76	77	77	78	78	79	79	80	80
70	64	64	65	65	66	66	67	67	68	68	69	69	70	70	71	71	71	71	71	71	72	

- EXTREME DANGER
- DANGER
- EXTREME CAUTION
- CAUTION

SOURCE: TEMPERATURE - HUMIDITY INDEX WAS DERIVED BY R.G. STEADMAN, JOURNAL OF APPLIED METEOROLOGY, JULY 1979. M27328

Ideal humidity is defined by industry experts* as being between 40-60% on an average annual basis. When indoor humidity exceeds 60%, the home is more susceptible to mold and mildew growth. TrueDRY DH150 safeguards against excessive humidity in the home year-round.

*American Society of Heating, Refrigerating and Air Conditioning Engineers (ASHRAE).



Control Options

The TrueDRY DH150 may be used with one of the following external controls:



VisionPRO IAQ Total Comfort System (YTH9421C1010)

- Controls both heating/cooling and dehumidification.
- Sensor included for displaying outdoor temperature.
- Intuitive user interface for easy 7-day temperature programming
- Easy-to-read backlit digital display.
- Maintenance and service reminders.
- Controls other indoor air quality equipment when you're ready.



TrueIAQ Digital Control (DG115EZIAQ)

- Automatic adjustments maintain ideal humidity.
- Sensor for displaying outdoor temperature and humidity.
- Shows actual and desired humidity settings.
- Advanced ventilation programming includes economizing and extreme condition shutdown.
- Maintenance and service reminders
- Controls other indoor air quality equipment when you're ready.



Manual Dehumidistat (H8908DSPST) and Automatic Ventilation Controls (W8150A1001)

- Manual humidity control with intuitive comfort settings.
- Integrated humidity chart for accurate control in changing outdoor conditions.
- Automatic W8150 ventilation control to ASHRAE industry code, or for continuous operation.

Specifications

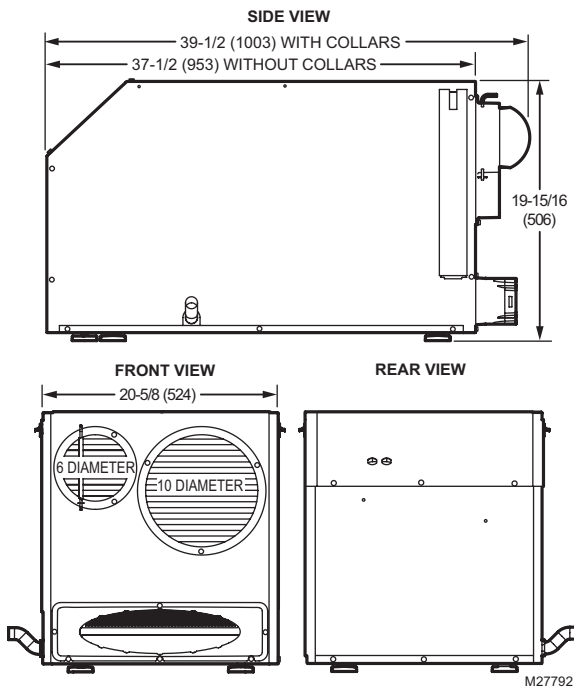
Install TrueDRY DH150 according to National Electric Codes.

Dry-Bulb Temp	Wet-Bulb Temp	Intake Humidity	Capacity (Pints/Day)
80°F	70°F	60% RH	150
70°F	61°F	60% RH	116
60°F	52°F	60% RH	88

Home Size (square ft)	Dehumidifier Capacity Required to Maintain Desired Indoor RH*		
	60% RH Indoor (pints/day)	50% RH Indoor (pints/day)	40% RH Indoor (pints/day)
2080	49–54	55–58	71–78
2600	61–68	65–72	90–97
3120	75–82	79–86	95–110

* Based on extreme climates where outdoor humidity is 70-90% RH. For less extreme climates, larger homes can be adequately served with less capacity. Actual requirements may vary.

Dimensions:



Product weight: 134 lbs

Shipping weight: 164 lbs

Shipping dimensions: 28 1/4 in. H x 42 in. W x 24 in. D

Media Filter: MERV 11, 16 in. H x 16 in. W x 2 in. D

Drain connection: 3/4-in. threaded female NPT connection, with attached 3/4-in. male connection.

Duct connections: Round 10 in. and 6 in. inlets. Oval 10 in. x 4 in. outlet.

Cabinet: 20 gauge galvanized steel powder-coat painted.

Insulation: R value 1

Compressor: Rotary-style

Refrigerant: 2 lb., R-410.A

Operating Temp Range (outside cabinet):
56°F–95°F (13°C–35°C)

Operating Humidity Range: 0–99% RH

Airflow versus external static pressure (0–1 in. water pressure) with collars attached

0 in. WG	415 CFM
0.4 in WG.	365 CFM

Input ratings

- Electrical input voltage: 120VAC—1 Phase—60 Hz nominal
- Input current: 6.9 amps

Output ratings

- **Power transformer to R/C terminals:** 24VAC, 0.85A
- **Energy Performance:** 3.6 pints per kilowatt hour (KWH).

Standards and approval body requirements

ETL tested per UL standard 474 (ducted dehumidifier).

Installation Checklist

Tools Required

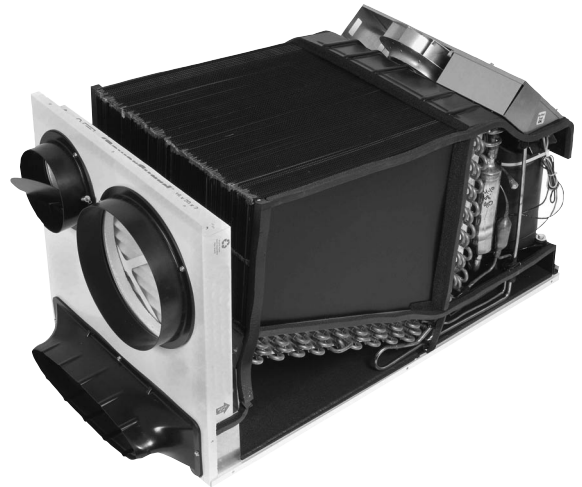
- 3/8-in. hex drive
- Drill or duct-cutting tool
- Wire stripper/cutter
- Standard screwdriver
- Duct tape
- 8-in. round duct and starter collar
- 18–22 gauge, 5-band thermostat wire
- 1/2-in. diameter drain line (8 ft)
- 1/2-in. drain clamps (quantity 2)

Materials Provided

- Sheet metal screws (quantity 9)
- 6-in. plastic duct collar
- 10-in. plastic duct collar
- 10-in. oval x 4 in. plastic duct collar

Options:

- 1/2-in. drain p-trap (may be required by local code)
- External humidity control
 - Manual dehumidistat (H8908DSPST), Auto Ventilation (W8150A1001)
 - TrueIAQ (DG115EZIAQ)
 - VisionPRO IAQ (YTH9421C1010)



WARNING: Installation must be performed by a qualified service technician and must comply with local codes. Remove power to the device before installing or servicing the device. Failure to connect the device according to these instructions may result in damage to the device or the controls.

Intended Application

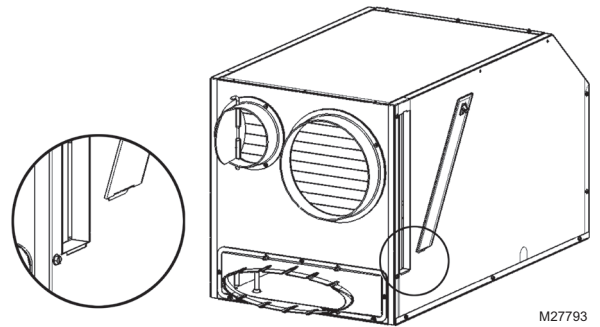
For the ideal installation, draw air from the central part of the home and return it to isolated areas of the home like the bedrooms, den, utility room, or family room. The ductwork of the existing system can be used to supply air to the home.

Door and Collar Assembly

Door Install

Insert tab on the bottom of the door between the foam installation and the metal side.

Push down on the plastic door latch and swing door shut. Once the door is shut release the door latch.

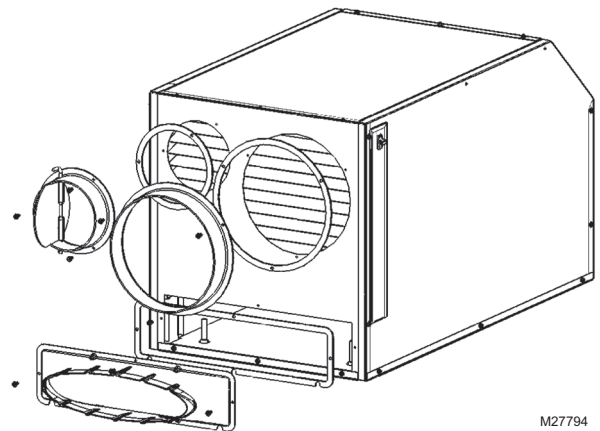


M27793

Collar Install

Remove the 2 round ducts, 1 oval duct, 3 seals and small bag of mounting hardware from inside the rectangle opening.

Adhere seals onto the back of each duct and mount the ducts to the front of the dehumidifier using screws provided.



M27794

Ducting: Install to Fit Your Application

Flex duct is recommended in connecting to the TrueDRY DH150 collars to reduce vibration noise.

Duct Sizing: For total duct lengths, use round or rectangular duct sized accordingly:

- 10-inch for less than 25-ft
- 12-inch for more than 25-ft

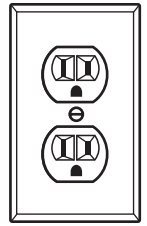
For the optional fresh air ventilation port, use round insulated duct sized accordingly:

- 6-inch round for lengths of less than 50-ft.
- 8-inch round for lengths greater than 50-ft, or if more than 100-cfm is required

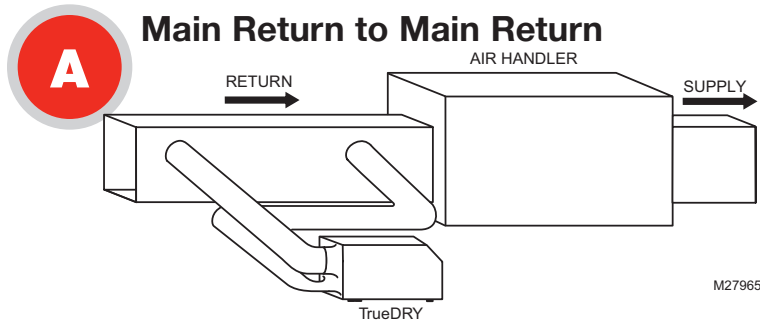
TrueDRY DH150 can be ducted into the central forced air system, or operate as a stand-alone in designated, high-humidity zones within the home, such as a basement or crawl space.

Electrical requirements:

115VAC outlet. Ground fault interrupter (GFI) recommended.

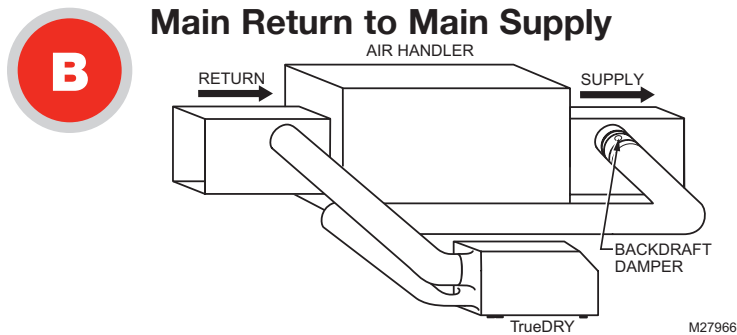


M24745



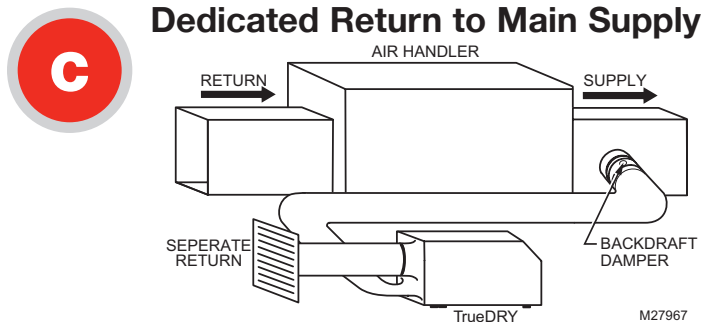
Ideal when...

- Running TrueDRY DH150 with A/C operation.
- Minimizing discharge air temperature (DAT) increase is preferred.
- Space dictates.



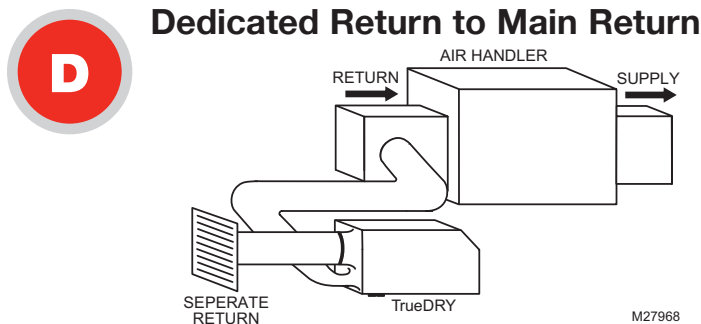
Ideal when...

- Running TrueDRY DH150 opposite A/C operation. Running with A/C operation requires damper on the exhaust port to minimize backdraft when TrueDRY DH150 is not on but A/C is.
- Minimizing DAT increase is preferred.
- Space dictates.



Ideal when...

- Drying a specific area of the house.
- Running with A/C operation requires backdraft damper on the exhaust port to minimize backdraft when TrueDRY DH150 is not on but A/C is.
- Minimizing DAT increase is preferred.



Ideal when...

- Running TrueDRY DH150 with A/C operation.
- Drying a specific area of the house.
- Minimizing DAT increase is preferred.

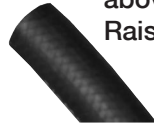
Plumbing



Connect 1/2-in. drain tube to male connection drain outlet. Secure drain tube to connector with hose clamp.

Run drain hose continuously downhill to an approved drain or condensate pump. Route to drain with a trap if possible.

Place TrueDRY DH150 on supports that raise the base above the top flanges on the drain pan beneath it. Raising it will optimize drain flow by gravity.



Terminal Descriptions

A four-block wiring terminal is located on the sloped end of TrueDRY DH150.

* **Note:** Outer screws secure block to TrueDRY DH150. Not for wiring.

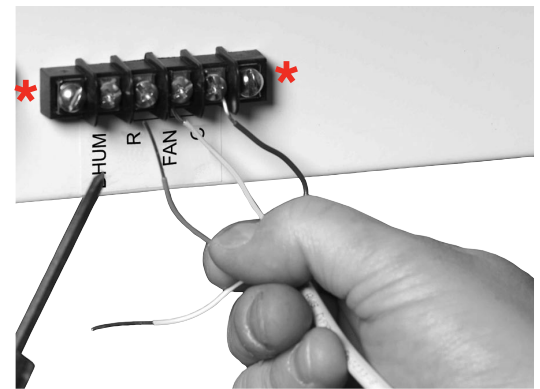


CAUTION: Low-voltage Hazard.

Can cause equipment damage.

Disconnect HVAC equipment before beginning installation.

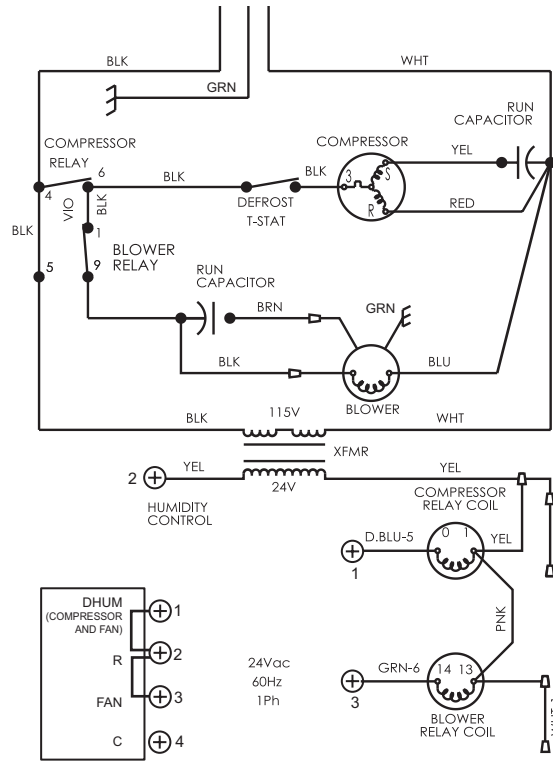
DHUM:	Compressor and fan operation for dehumidification.
R:	24V hot
FAN:	Fan activation only for ventilation.
C:	24V common



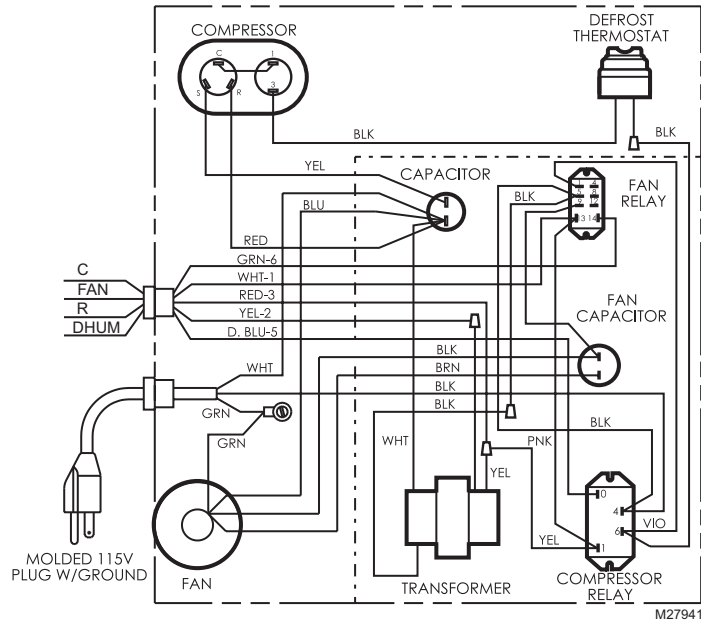
Ducting to Oval Outlet

Bend 10 in. round flex duct to fit over the DH150 oval outlet.

Wiring



M27795

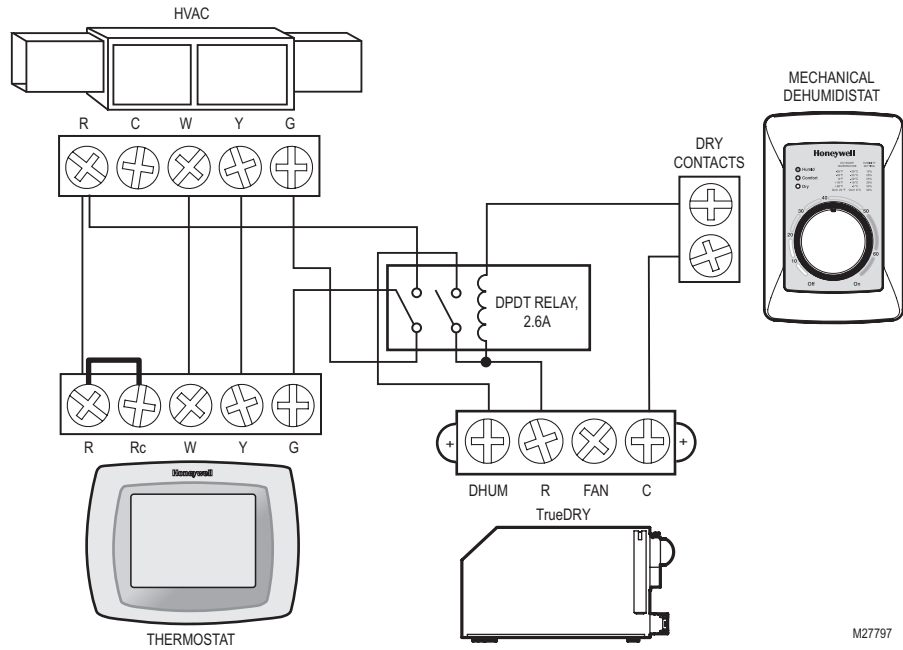


M27941

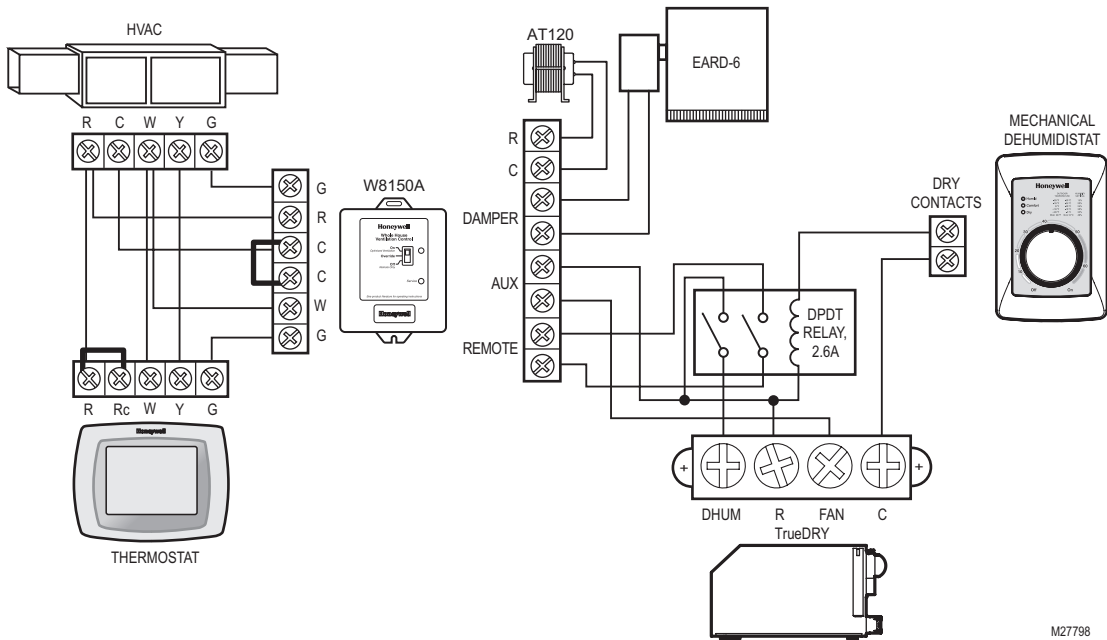
Wiring

Wire the TrueDRY DH150 according to the diagram that applies to your desired operation.

Follow this diagram for ducted operation with an external humidity control.

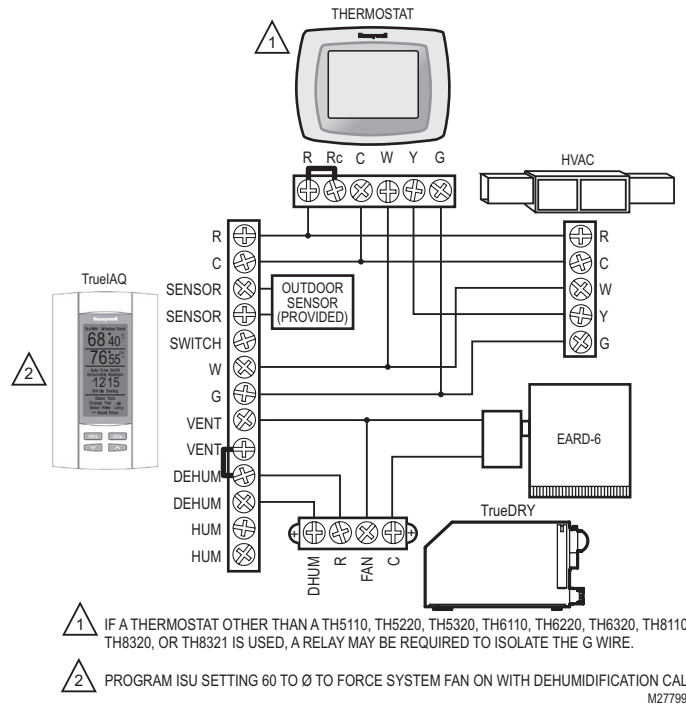


For ducted operation with external humidity and ventilation control, follow this diagram.

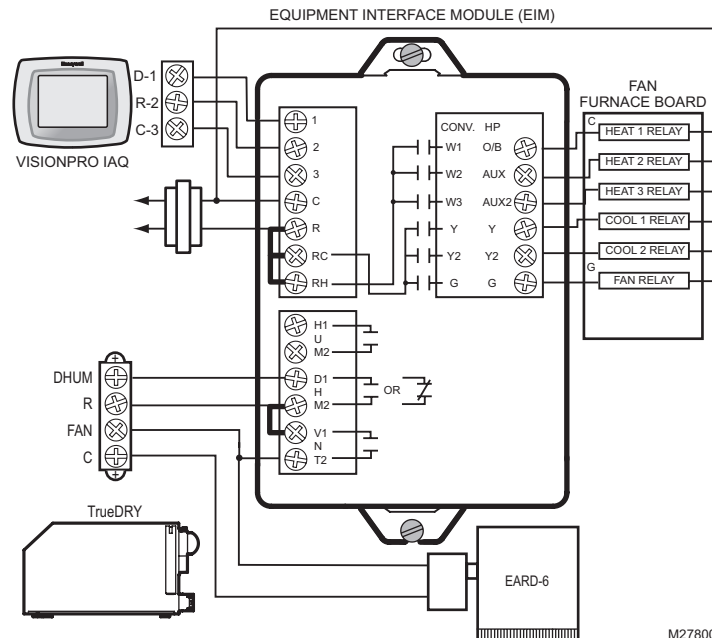


Wiring

Follow this diagram if using TrueDRY DH150 with a powered dehumidistat such as TrueIAQ (DG115EZIAQ).



Follow this diagram if using TrueDRY DH150 with VisionPRO IAQ.



Checkout

Apply power to TrueDRY DH150. Turn the humidity control to a low RH% level to initiate a humidity call. Confirm that the TrueDRY DH150 compressor and fan turn on. The furnace blower will also turn on to circulate air. This will take up to two minutes. Be sure to turn this back down (or off) when checkout is complete. Turning the humidity control to Off will turn TrueDRY DH150 off.

Cleaning

On an annual basis, maintenance is required to ensure TrueDRY runs at peak efficiency.

1

Unplug TrueDRY DH150 before beginning service. Push down the door release and pull. The filter can be removed from either side.



2

Grip filter tab at bottom to remove. Replace with new filter.



3

Using a 1/2-in. hex drive or standard screwdriver, remove the eight screws on either side of the TrueDRY DH150. The side and top panels can then be removed. Using a damp cloth, wipe excess dust and debris from blower, refrigerant coils, and compressor coils. Reattach panels and collars when finished.



4

Check the drain connection and drain line to ensure it is clear of debris and sludge. Ensure all hose connections are secure once maintenance of the drain lines is complete.



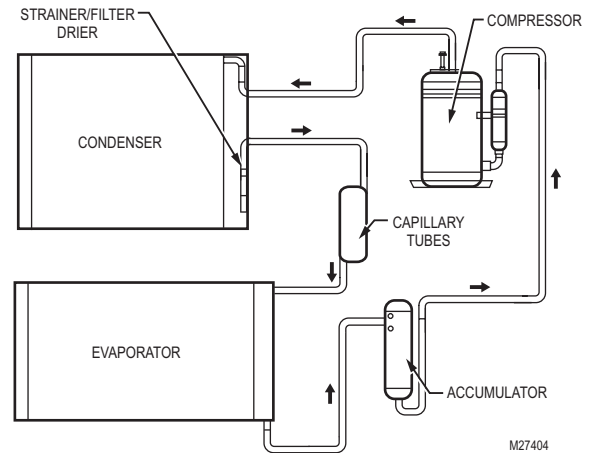
5

When service is complete, initiate a call for dehumidification and check that the compressor and fan activate. If using the digital VisionPRO IAQ or TrueIAQ controls, reset maintenance reminders.

Technical Description

TrueDRY DH150 uses a refrigeration system similar to an air conditioner to remove heat and moisture from incoming air and add heat to the air that is discharged. Hot, high-pressure refrigerant gas is routed from the compressor to the condenser coil. The refrigerant is cooled and condensed by giving up its heat to the air that is about to be discharged from the unit. The refrigerant liquid then passes through a strainer and capillary tubing which causes the refrigerant pressure and temperature to drop. It next enters the evaporator coil where it absorbs heat from the incoming air and evaporates. The evaporator operates in a flooded condition, which means that all the evaporator tubes contain liquid refrigerant during normal operation. A flooded evaporator should maintain nearly constant pressure and temperature across the entire coil, from inlet to outlet.

The mixture of gas and liquid refrigerant enter the accumulator after leaving the evaporator coil. The accumulator prevents any liquid refrigerant from reaching the compressor. The compressor evacuates the cool refrigerant gas from the accumulator and compresses it to a high pressure and temperature to repeat the process.



Troubleshooting



CAUTION: Servicing the TrueDRY DH150 with its high pressure refrigerant system and high voltage circuitry presents a health hazard which could result in death, serious bodily injury, and/or property damage. Service should only be performed by a qualified service technician.

Problem	Recommended Troubleshooting Steps
No dehumidification, neither impeller fan nor compressor run with fan switch and ventilation timer OFF.	<ol style="list-style-type: none"> 1. Unit unplugged or no power to outlet. 2. Humidity control set too high or defective. 3. Loose connection in internal or control wiring. 4. Defective Compressor relay. 5. Defective control transformer. 6. Low pressure Control open. 7. Optional Condensate Pump Safety Switch open.
No dehumidification, compressor does not run but impeller fan runs with fan switch and ventilation timer OFF and humidity control turned to ON.	<ol style="list-style-type: none"> 1. Defective compressor run capacitor. 2. Bad connection in compressor circuit. 3. Defective compressor overload. 4. Defective compressor. 5. Defrost thermostat open.
Impeller fan runs with fan switch and ventilation timer OFF, but compressor cycles on & off.	<ol style="list-style-type: none"> 1. Low ambient temperature and/or humidity causing unit to cycle through defrost mode. 2. Defective compressor overload. 3. Defective compressor. 4. Defrost thermostat defective 5. Dirty air filter(s) or airflow restricted. 6. Low refrigerant charge, causing defrost control to cycle. 7. Bad connection in compressor circuit.

Troubleshooting

Problem	Recommended Troubleshooting Steps
Impeller fan does not run with fan switch in either position. Impeller fan does not run with ventilation timer activated. Compressor runs briefly but cycles on & off with humidity control turned to ON.	<ol style="list-style-type: none"> 1. Loose connection in impeller fan circuit. 2. Obstruction prevents impeller fan rotation. 3. Defective impeller fan. 4. Defective impeller fan relay. 5. Defective impeller fan capacitor.
Impeller fan runs with fan switch ON. Impeller fan does not run with ventilation timer activated.	<ol style="list-style-type: none"> 1. Defective ventilation timer. 2. Time not correct on ventilation timer. 3. Ventilation timer set to manual & switched OFF. 4. Defective fan switch.
Evaporator coil frosted continuously, low dehumidifying capacity.	<ol style="list-style-type: none"> 1. Defrost thermostat loose or defective. 2. Low refrigerant charge. 3. Dirty air filter(s) or airflow restricted. 4. Excessively restrictive ducting connected to unit.
Unit not providing ventilation. Ventilation timer not operating correctly.	<ol style="list-style-type: none"> 1. If timer is not functioning correctly reset timer and reprogram. 2. Check control wire connections (check connections at fresh air damper also). 3. Defective fresh air damper. 4. Defective fan switch.
Unit removes some water, but not as much as expected.	<ol style="list-style-type: none"> 1. Air temperature and/or humidity have dropped. 2. Humidity meter and or thermometer used are out of calibration. 3. Unit has entered defrost cycle. 4. Air filter dirty. 5. Defective defrost thermostat. 6. Low refrigerant charge. 7. Air leak such as loose cover or ducting leaks. 8. Defective compressor. 9. Restrictive ducting. 10. Optional Condensate Pump Safety Switch open.

Troubleshooting

Refrigerant Charging

If the refrigerant charge is lost due to service or a leak, a new charge must be accurately weighed in. If any of the old charge is left in the system, it must be recovered before weighing in the new charge. Refer to the unit nameplate for the correct charge weight and refrigerant type.

Impeller Fan Replacement

The motorized impeller fan is a unitary assembly consisting of the motor and impeller fan. If defective, the complete assembly must be replaced.

1. Unplug the power cord.
2. Remove the cabinet access panel.
3. Remove the screw attaching the impeller fan support bracket to the base.
4. Disconnect the impeller fan leads inside the electric box.
5. Remove fan/bracket assembly by removing 3 screws from the bracket and inlet ring assembly.
6. Remove the defective impeller fan from the bracket and replace with it with the new impeller fan.
7. Reassemble the new impeller fan by reversing the above procedure. Note: There are two pins on the backside of the cabinet that must align with the two holes in the impeller fan support bracket.

Compressor/Capacitor Replacement

This compressor is equipped with a two terminal external overload and a run capacitor, but no start capacitor or relay

Checking Compressor Motor Circuits

Perform the following tests if the impeller fan runs but the compressor does not with the fan switch and ventilation timer OFF and the humidity control ON.

1. Unplug the unit; remove the cabinet side and the electrical connection cover on the compressor top.
2. Plug in the unit and turn the humidity control to ON. Check for 110 volts from compressor terminal R to overload terminal 3 using an AC voltmeter. If voltage is present, go to step 3. If no voltage, there may be a loose connection in the compressor circuit. Test each component for continuity. See the appropriate section if a defect is suspected.
3. Unplug the unit, and then disconnect the red and yellow wires from compressor terminals R & S. Using an ohmmeter check continuity between the points listed below.
4. Compressor terminals C and S: No continuity indicates an open start winding. The compressor must be replaced. Normal start winding resistance is 3 to 7 ohms.
5. Compressor terminals C and R: No continuity indicates an open run winding. The compressor must be replaced. Normal run winding resistance is .5 to 2 ohms.
6. Compressor terminal C and overload terminal 1: No continuity indicates a defective overload lead.
7. Overload terminals 1 and 3: If there is no continuity, the overload may be tripped. Wait 10 minutes and try again. If there is still no continuity, it is defective and must be replaced.
8. Compressor terminal C and compressor case: Continuity indicates a grounded motor. The compressor must be replaced.
9. Disconnect the wires from the run capacitor. Set the ohmmeter to the Rx1 scale. The capacitor is shorted and must be replaced if continuity exists across its terminals. If there is no needle movement with the meter set on the Rx100000 scale, the capacitor is open and must be replaced.
10. Reconnect the wires to the compressor and capacitor. Plug in and turn on the unit. If the compressor fails to start, replace the run capacitor.
11. If the unit still does not start, adding a hard-start kit (relay & capacitor) will provide greater starting torque. If this doesn't work, the compressor has an internal mechanical defect and must be replaced.

Troubleshooting

Replacing a Burned Out Compressor

The refrigerant and oil mixture in a compressor is chemically very stable under normal operating conditions. However, when an electrical short occurs in the compressor motor, the resulting high temperature arc causes a portion of the refrigerant oil mixture to break down into carbonaceous sludge, a very corrosive acid, and water. These contaminants must be carefully removed otherwise even small residues will attack replacement compressor motors and cause failures.

The following procedure is effective only if the system is monitored after replacing the compressor to insure that the clean up was complete.

1. This procedure assumes that the previously listed compressor motor circuit tests revealed a shorted or open winding.
2. Remove and properly dispose of the system charge. DO NOT vent the refrigerant or allow it to contact your eyes or skin.
3. Remove the burned out compressor. Use rubber gloves if there is any possibility of contacting the oil or sludge.
4. To facilitate subsequent steps, determine the type of burn out that occurred. If the discharge line shows no evidence of sludge and the suction line is also clean or perhaps has some light carbon deposits, the burn out occurred while the compressor was not rotating. Contaminants are therefore largely confined to the compressor housing. A single installation of liquid and suction line filter/driers will probably clean up the system.

If sludge is evident in the discharge line, it will likely be found in the suction line. This indicates the compressor burned out while running. Sludge and acid have been pumped throughout the system. Several changes of the liquid and suction filter/driers will probably be necessary to cleanse the system.

5. Correct the system fault that caused the burn out. Consult the factory for advice.
6. Install the replacement compressor with a new capacitor and an oversized liquid line filter.

In a running burn out, install an oversized suction line filter/drier between the accumulator and compressor. Thoroughly flush the accumulator with refrigerant to remove all trapped sludge and to prevent the oil hole from becoming plugged. A standing burn out does not require a suction line filter/drier.

7. Evacuate the system with a good vacuum pump and accurate vacuum gauge. Leave the pump on the system for at least an hour.
8. Operate the system for a short period of time, monitoring the suction pressure to determine that the suction filter is not becoming plugged. Replace the suction filter/drier if pressure drop occurs. If a severe running burn out has occurred, several filter/driers may have to be replaced to remove all of the acid and moisture.

NOTE: NEVER use the compressor to evacuate the system or any part of it.

Replacing a Compressor, Non-Burnout

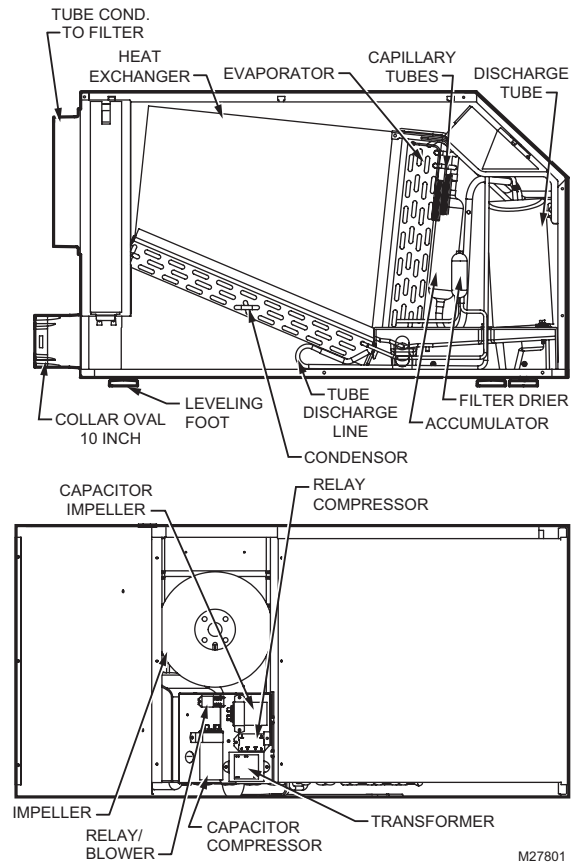
Remove the refrigerant from the system. Replace the compressor and liquid line filter/drier. Charge the system to 50 PSIG and check for leaks. Remove the charge and weigh in the refrigerant quantity listed on the nameplate. Operate the system to verify performance.

Defrost Thermostat

The defrost thermostat is attached to the refrigerant suction tube between the accumulator and the compressor. It will automatically shut the compressor off if the low side refrigerant temperature drops due to excessive frost formation on the evaporator coil. The impeller fan will continue to run, causing air to flow through the evaporator coil and melt the ice. When the ice has melted, the evaporator temperature will rise and the thermostat will restart the compressor.

Parts List

Description	Part Number
Heat Exchanger	50035445-001
Evaporator	50035445-002
Capillary Tubes .050 in. x .124 in. x 59.00 in.	50035445-003
Compressor—Toshiba 8.1	50035445-004
Accumulator	50035445-005
Filter/Drier	50035445-006
Tube—Cond. to Filter	50035445-007
Tube—Discharge Line	50035445-008
Condensor	50035445-009
Impeller	50035445-010
Relay/Blower	50035445-011
45mFd Capacitor—Compressor	50035445-012
Transformer	50035445-013
Relay/Compressor	50035445-014
15mFd Capacitor—Impeller	50035445-015
Collar—10 in.	50035445-016
Collar—Oval 10 in. x 4 in.	50035445-017
Collar 6 in. with damper	50035445-018
Leveling Foot	50035445-019
Filter MERV II	50035445-020



5-Year Limited Warranty

Honeywell warrants this product to be free from defects in the workmanship or materials, under normal use and service, for a period of five (5) years from the date of purchase by the consumer. If at any time during the warranty period the product is determined to be defective or malfunctions, Honeywell shall repair or replace it (at Honeywell's option).

If the product is defective,

- (i) return it, with a bill of sale or other dated proof of purchase, to the place from which you purchased it; or
- (ii) call Honeywell Customer Care at 1-800-468-1502. Customer Care will make the determination whether the product should be returned to the following address: Honeywell Return Goods, Dock 4 MN10-3860, 1885 Douglas Dr. N., Golden Valley, MN 55422, or whether a replacement product can be sent to you.

This warranty does not cover removal or reinstallation costs. This warranty shall not apply if it is shown by Honeywell that the defect or malfunction was caused by damage which occurred while the product was in the possession of a consumer.

Honeywell's sole responsibility shall be to repair or replace the product within the terms stated above. HONEYWELL SHALL NOT BE LIABLE FOR ANY LOSS OR DAMAGE OF ANY KIND, INCLUDING ANY INCIDENTAL OR CONSEQUENTIAL DAMAGES RESULTING, DIRECTLY OR INDIRECTLY, FROM ANY BREACH OF ANY WARRANTY, EXPRESS OR IMPLIED, OR ANY OTHER FAILURE OF THIS PRODUCT. Some states do not allow the exclusion or limitation of incidental or consequential damages, so this limitation may not apply to you.

THIS WARRANTY IS THE ONLY EXPRESS WARRANTY HONEYWELL MAKES ON THIS PRODUCT. THE DURATION OF ANY IMPLIED WARRANTIES, INCLUDING THE WARRANTIES OF MERCHANTABILITY AND FITNESS FOR A PARTICULAR PURPOSE, IS HEREBY LIMITED TO THE FIVE-YEAR DURATION OF THIS WARRANTY. Some states do not allow limitations on how long an implied warranty lasts, so the above limitation may not apply to you.

This warranty gives you specific legal rights, and you may have other rights which vary from state to state.

If you have any questions concerning this warranty, please write Honeywell Customer Relations, 1985 Douglas Dr, Golden Valley, MN 55422 or call 1-800-468-1502. In Canada, write Retail Products ON15-02H, Honeywell Limited/Honeywell Limitée, 35 Dynamic Drive, Toronto, Ontario M1V4Z9.

Automation and Control Solutions

Honeywell International Inc. Honeywell Limited-Honeywell Limitée
1985 Douglas Drive North 35 Dynamic Drive
Golden Valley, MN 55422 Toronto, Ontario M1V 4Z9
<http://yourhome.honeywell.com>

Honeywell



TrueDRY DH150

Systeme de deshumidification

GUIDE D'INSTALLATION PAR UN PROFESSIONNEL

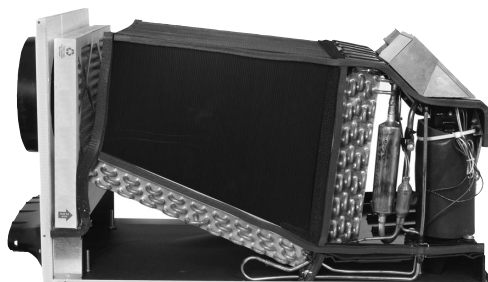
1

Assembler



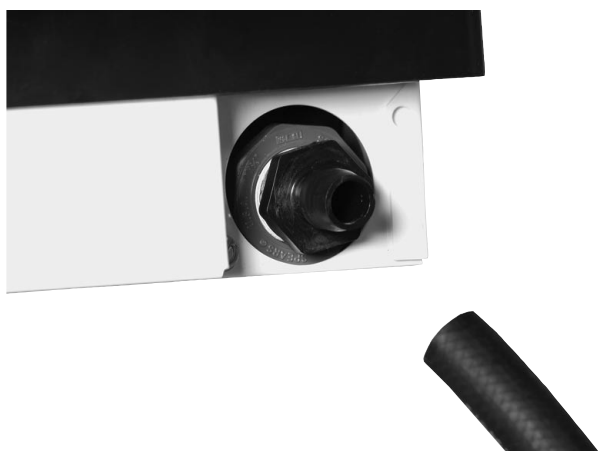
2

Raccorder à la gaine d'air



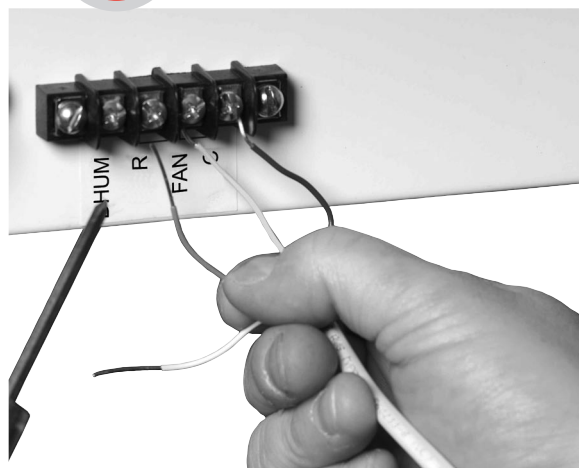
3

Raccorder à la plomberie



4

Brancher



Doit être installé par un technicien d'expérience ayant reçu la formation pertinente.

Lire attentivement les instructions. Le fait de ne pas les suivre risque d'endommager le produit ou de constituer un danger.

TABLE DES MATIÈRES

À propos de votre nouveau déshumidificateur

Maintenir le taux d'humidité idéal.....	21
Commandes	22
Caractéristiques techniques	23

Installation

Vérification de l'installation	24
Installation prévue	24
Installation de la porte et du collier.....	25
Installation selon votre application.....	26
Raccordement à la plomberie.....	27
Description des bornes	27
Raccordement électrique.....	28
Vérification.....	30

Entretien

Nettoyage	31
Dépannage	32
Liste de pièces.....	36
Garantie	37

- Ne pas installer l'orifice d'échappement du TueDRY DH65 sans gaine.
- Le TrueDRY DH150 est conçu pour être installé à l'intérieur, à l'abri de la pluie et des inondations.
- Installer l'appareil pour qu'il y ait de l'espace à l'arrière ou sur les côtés pour l'entretien et les réparations. Ne pas l'installer dans un endroit où les panneaux de service ne seraient pas accessibles.
- Éviter de diriger l'air soufflé vers les occupants ou vers l'eau de la piscine.
- Si l'appareil est utilisé à proximité d'un spa ou d'une piscine, s'assurer qu'il n'y a aucune possibilité que l'appareil tombe dans l'eau ou soit éclaboussé et qu'il est branché à un disjoncteur de fuite de terre.
- Ne pas se servir de l'appareil en guise de banc ou de table.
- Pour que l'appareil fonctionne sans faire de bruit, éviter de le placer directement au-dessus des supports de structure de la maison. Isoler contre les vibrations pour réduire le bruit.
- Il faut placer un bac à condensats sous l'appareil s'il est installé au-dessus d'une pièce habitée ou d'un endroit où des fuites d'eau pourraient causer des dégâts.

Besoin d'aide?

Pour obtenir de l'aide sur ce produit Honeywell, consulter le site <http://yourhome.honeywell.com> ou s'adresser au Service à la clientèle de Honeywell au **1-800-468-1502**

Veillez lire les présentes instructions et les garder à portée de main.

À propos du déshumidificateur TrueDRY DH150

Le déshumidificateur TrueDRY DH150 de Honeywell maintient un taux d'humidité adéquat dans toute la maison grâce à son haut rendement et à son efficacité.

Avantages

- Retire de l'air ambiant jusqu'à 150 chopines (70 litres) d'eau par jour.
- Peut être raccordé à une gaine pour la régulation de l'humidité dans toute la maison, ou fonctionner sans gaine pour régler un problème d'humidité dans les endroits tels les greniers ou les vides sanitaires.
- L'accès rapide aux panneaux de service accélère et facilite l'entretien.



Maintenir le taux d'humidité idéal

Le point de rosée et l'humidité relative influencent la façon dont notre corps perçoit la chaleur. Un taux d'humidité élevé nous donne l'impression que l'air est beaucoup plus chaud que sa température réelle. Lorsque le TrueDRY est correctement installé, le système de refroidissement pourrait fonctionner moins souvent, car l'air déshumidifié semble plus frais que l'air humide.

NOTRE PERCEPTION DE LA TEMPÉRATURE DE L'AIR

NOTRE PERCEPTION DE LA CHALEUR COMBINÉE À L'HUMIDITÉ

EXEMPLE : À 90 °F ET 50 % D'HUMIDITÉ RELATIVE, LA TEMPÉRATURE PERÇUE PAR NOTRE CORPS ATTEINT 96 °F!

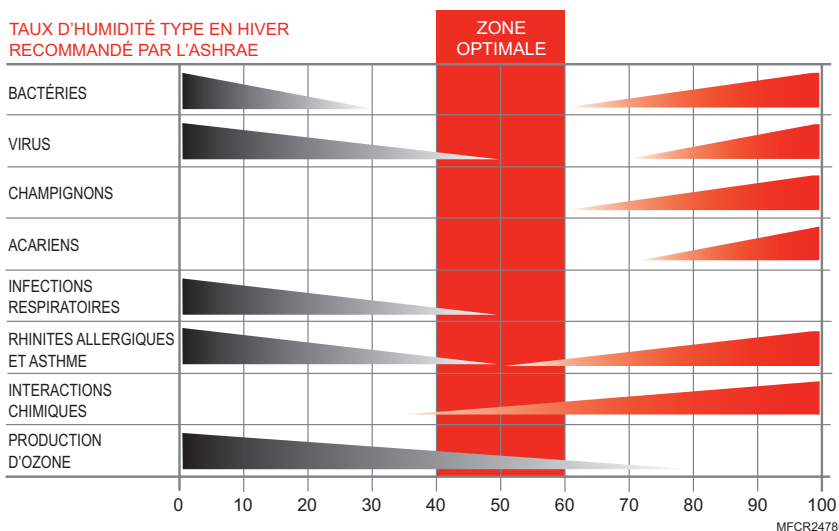
		HUMIDITÉ RELATIVE (POURCENTAGE)																					
		0	5	10	15	20	25	30	35	40	45	50	55	60	65	70	75	80	85	90	95	100	
TEMPÉRATURE DE L'AIR (DEGRE FARENHEIT)	100	91	93	95	97	99	101	104	107	110	115	120	126	132	138	144							
	95	87	88	90	91	93	94	96	98	101	104	107	110	114	118	124	130	136					
	90	83	84	85	86	87	88	90	91	93	95	96	98	100	102	106	109	113	117	122			
	85	78	79	80	81	82	83	84	85	86	87	88	89	90	91	93	95	97	99	102	105	108	
	80	73	74	75	76	77	77	78	79	79	80	81	81	82	83	85	86	86	87	88	89	91	
	75	69	69	70	71	72	72	73	73	74	74	75	75	76	76	77	77	78	78	79	79	80	
	70	64	64	65	65	66	66	67	67	68	68	69	69	70	70	70	71	71	71	71	71	71	72

- DANGER EXTRÊME
- DANGER
- PRUDENCE EXTRÊME
- PRUDENCE

SOURCE : INDICE DE TEMPÉRATURE-HUMIDITÉ DÉRIVÉ PAR R.G. STEADMAN, JOURNAL OF APPLIED METEOROLOGY, JUILLET 1979. MF27328

Selon les experts de l'industrie*, le taux d'humidité idéal se situerait entre 40 et 60 % sur une base annuelle moyenne. Lorsque le taux d'humidité ambiante dépasse 60 %, la maison est plus susceptible de subir la croissance de moisissures. Le déshumidificateur TrueDRY DH150 protège la maison contre une trop grande humidité ambiante toute l'année.

*American Society of Heating, Refrigerating and Air Conditioning Engineers (ASHRAE).



Options de commande

Le TrueDRY DH150 peut être employé avec l'un ou l'autre des appareils de commande suivants :



Systeme de régulation d'ambiance pour toute la maison VisionPRO (YTH9421C1010)

- Règle à la fois le chauffage-refroidissement et la déshumidification.
- Capteur inclus pour l'affichage de la température extérieure.
- Interface-utilisateur intuitive pour la programmation simple de la température sur 7 jours.
- Grand écran rétroéclairé, facilement lisible.
- Rappels de maintenance et de réparation.
- Peut aussi servir à commander d'autres appareils de régulation de la qualité de l'air ambiant.



Régulateur numérique TrueIAQ (DG115EZIAQ)

- Ajustement automatique pour le maintien d'un taux d'humidité idéal.
- Capteur pour l'affichage de la température extérieure et de l'humidité.
- Affiche le taux d'humidité souhaité et le taux d'humidité réel.
- Programme de ventilation évolué qui comprend un cycle économiseur et l'interruption en cas de conditions extrêmes.
- Rappels de maintenance et de réparation.
- Peut aussi servir à commander d'autres appareils de régulation de la qualité de l'air ambiant.



Déshumidistat manuel (H8908DSPST) et régulateur de ventilateur automatique (W8150A1001)

- Régulation manuelle de l'humidité selon des points de consigne intuitifs.
- Tableau de taux d'humidité intégré pour une régulation précise en fonction des variations de température extérieure.
- Régulateur W8150 assurant la régulation automatique de la ventilation selon le code de l'industrie ASHRAE ou fonctionnant en continu.

Caractéristiques techniques

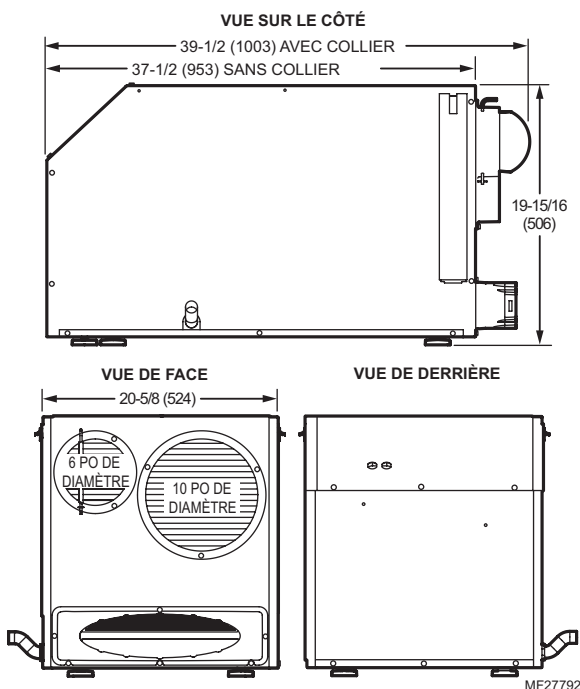
Installer le TrueDRY DH150 selon les exigences du Code national de l'électricité.

Température bulbe sec	Température bulbe humide	Humidité à l'admission	Capacité (chopines/jour)
80 °F	70 °F	60 % RH	150
70 °F	61 °F	60 % RH	116
60 °F	52 °F	60 % RH	88

Superficie de la maison (en pieds carrés)	Capacité requise du déshumidificateur pour maintenir le taux d'humidité relative désiré*		
	60 % HR ambiante (chopines/jour)	50 % HR ambiante (chopines/jour)	40 % HR ambiante (chopines/jour)
2080	49-54	55-58	71-78
2600	61-68	65-72	90-97
3120	75-82	79-86	95-110

* En conditions climatiques extrêmes où le taux d'humidité relative à l'extérieur se situe entre 70 et 90 %. En conditions climatiques moins extrêmes, les maisons de plus grande taille exigeront une capacité moindre. Les besoins réels peuvent varier.

Encombrement :



Poids du produit : 134 lb

Poids à l'expédition : 164 lb

Dimensions à la livraison : 28 1/4 po hauteur x 42 po largeur x 24 po longueur

Filtre à fibres : MERV 11, 18 po hauteur x 16 po largeur x 2 po profondeur

Raccord de vidange : 3/4 po femelle fileté NPT, avec connexion mâle 3/4 po attachée.

Raccord à la gaine : Prises rondes de 10 po et 6 po. Prises ovales de 10 po.

Boîtier : Acier galvanisé de calibre 20, peint à l'émail en poudre.

Isolant : Résistance thermique R1

Compresseur : Rotatif

Frigorigène : 2 lb., R-410.A

Gamme de température de service (hors boîtier) :
56 °F-95 °F (13 °C-35 °C)

Humidité relative de service : 0-99 % HR

Débit d'air par rapport à la pression statique externe (0-1 po pression d'eau) avec colliers fixés

0 po WG	415 pi ³ /min
0,4 po WG	365 pi ³ /min

Alimentation nominale

- Tension d'alimentation : 120 V c.a.—1 phase—60 Hz nominal
- Courant d'entrée : 6,9 A

Puissance fournie

- **Transformateur aux bornes R/C :** 24 V c.a., 0,85 A
- **Rendement énergétique :** 1/2 litre (3,6 chopines) par kilowatt-heure (kWh)

Homologations

ETL vérifié selon la norme UL 474 (déshumidificateur raccordé à une gaine).

Vérification de l'installation

Outils requis

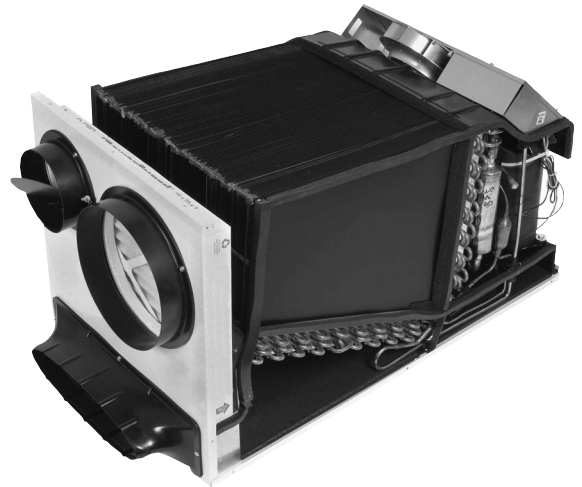
- Carré d'entraînement de 3/8 po hex
- Perceuse ou outil à découper les conduites
- Pinces à dénuder/coupe-fil
- Tournevis ordinaire
- Ruban adhésif en toile
- Gaine ronde de 8 po et collier de départ
- Fil à thermostat de calibre 11 - 22 à 5 brins - tuyau de drainage de 1/2 po de diamètre (8 pi)
- Pinces pour tuyau de drainage de 1/2 po (quantité : 2)

Matériaux fournis

- Vis à tôle (quantité : 9)
- collier de plastique pour gaine de 6 po
- collier de plastique pour gaine de 10 po
- collier de plastique ovale pour gaine de 4 po

Les choix sont les suivants :

- Siphon en P de 1/2 po (peut être exigé par les règlements locaux)
- Régulateur d'humidité externe
 - Déshumidistat manuel (H8908DSPST), régulateur de ventilation automatique (W8150A1001)
 - TrueIAQ (DG115EZIAQ)
 - Vision PRO IAQ (YTH9421C1010)



AVERTISSEMENT : L'installation doit être faite par un technicien qualifié et respecter les codes et règlements locaux. Couper l'alimentation électrique de l'appareil avant de procéder à l'installation ou à l'entretien. Tout raccordement qui contreviendrait aux présentes directives pour causer des dommages à l'appareil ou aux régulateurs.

Application prévue

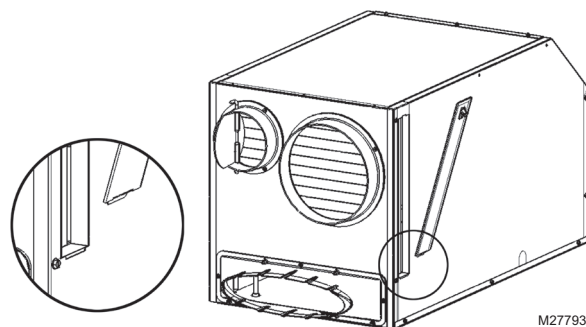
Pour une installation idéale, aspirer l'air d'une partie centrale de la maison et le souffler dans les parties isolées de la maison telles les chambres à coucher, la salle familiale, la salle de lavage ou le coin-détente. Les gaines d'air du système actuel peuvent servir à acheminer l'air dans la maison.

Installation de la porte et du collier

Installation de la porte

Insérer la languette au bas de la porte entre le polystyrène et le côté de métal.

Pousser le loquet de plastique de la porte vers le bas et refermer la porte. Une fois la porte fermée, dégager le loquet.

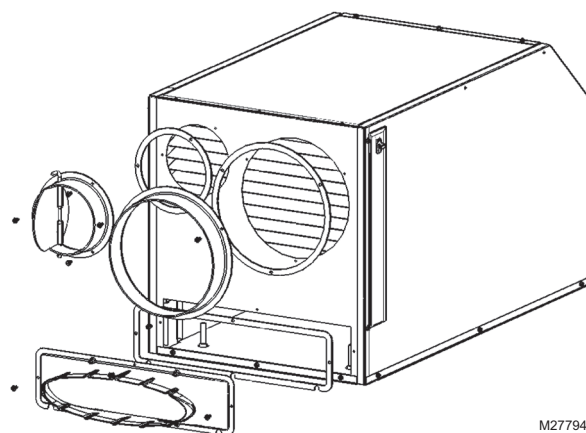


M27793

Installation du collier

Retirer les deux gaines rondes, une gaine ovale, 3 joints et le petit sachet d'accessoires de fixation contenus dans l'ouverture rectangulaire.

Apposer les joints au dos de chacune des gaines et fixer les gaines sur le devant du déshumidificateur au moyen des vis fournies.



M27794

Installation selon votre application

Il est recommandé d'utiliser une gaine flexible pour raccorder les colliers du TrueDRY DH150 afin de réduire le bruit causé par la vibration.

Taille de la gaine : Pour toute la longueur des gaines, utiliser des gaines rondes ou rectangulaires de taille adéquate :

- 10 pouces pour moins de 25 pieds
- 12 pouces pour plus de 25 pieds

Pour le port de ventilation par air neuf additionnel, utiliser une gaine ronde isolée de taille adéquate:

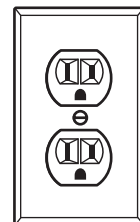
- 6 pouces pour les longueurs de moins de 50 pieds
- 8 pouces pour les longueurs de plus de 50 pieds s'il faut un débit de plus de 100 pi³/min



MISE EN GARDE : Une fois exposé, le ventilateur interne peut causer des blessures. L'orifice d'échappement doit être raccordé à la gaine.

Alimentation électrique :

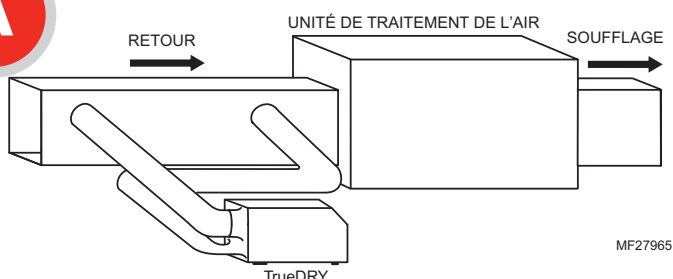
Prise de 115 V c.a. Disjoncteur de fuite de terre recommandé.



M24745



Retour principal à retour

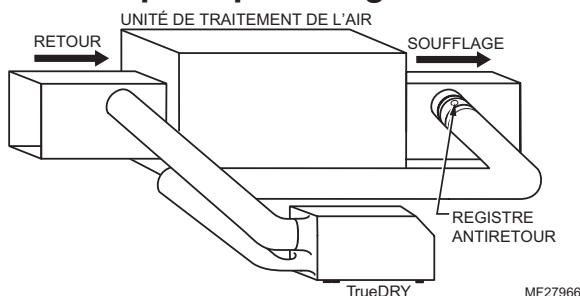


Idéal dans les situations suivantes

- Le TrueDRY DH150 fonctionne avec le conditionnement d'air.
- Lorsqu'il est préférable de réduire au minimum l'augmentation de la température de l'air de soufflage.
- Contraintes d'espace.



Retour principal à la gaine

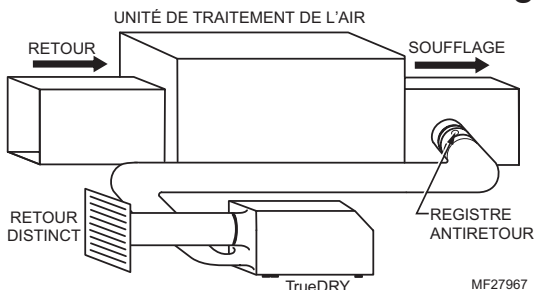


Idéal dans les situations suivantes

- Le TrueDRY DH150 fonctionne à l'inverse du conditionnement d'air. Le fonctionnement en même temps que le conditionnement d'air nécessite un registre antiretour à l'orifice de sortie afin de réduire les refoulements d'air lorsque le TrueDRY DH150 n'est pas en service et que le conditionnement d'air est en service.
- Lorsqu'il est préférable de réduire au minimum l'augmentation de la température de l'air de soufflage.
- Contraintes d'espace.



Gaine réservée au retour à la gaine de soufflage principale

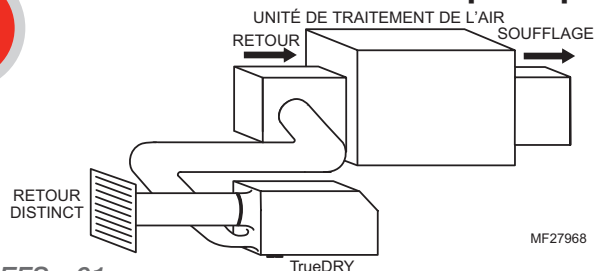


Idéal dans les situations suivantes

- Lorsqu'on souhaite assécher une partie distincte de la maison.
- Le fonctionnement en même temps que le conditionnement d'air nécessite un registre antiretour à l'orifice de sortie afin de réduire les refoulements d'air lorsque le TrueDRY DH150 n'est pas en service et que le conditionnement d'air est en service.



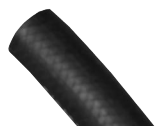
Retour réservé au retour principal



Idéal dans les situations suivantes

- Lorsque le TrueDRY DH150 est utilisé par un système de refroidissement.
- Pour déshumidifier une partie précise de la maison.
- Lorsqu'il est préférable de réduire l'augmentation de la température de l'air soufflé.

Raccordement à la plomberie



Raccorder un tube de vidange de 1/2 po à la sortie de vidange mâle. Fixer le tube de vidange au connecteur à l'aide d'un collier de serrage.

Donner une pente descendante ininterrompue au tube vers une pompe de vidange ou une pompe de récupération des eaux condensées approuvée. Si c'est possible, acheminer le tube vers un drain avec une trappe.

Placer le TrueDRY DH150 sur des supports qui élèvent la base au-dessus des brides supérieures du bac à condensats sous l'appareil. Le fait de soulever l'appareil optimise le débit par gravité.

Description des bornes

Un bornier à quatre blocs est situé sur l'extrémité en pente du TrueDRY DH150.

* **Remarque** : Les vis aux deux extrémités servent à fixer le bornier au TrueDRY DH150. Elles ne servent pas au raccordement.

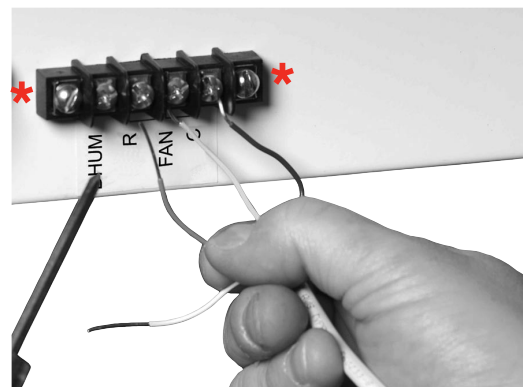


AVERTISSEMENT : Risque d'électrocution basse tension.

Peut endommager le matériel.

Couper l'alimentation électrique du système de CVCA avant de commencer l'installation.

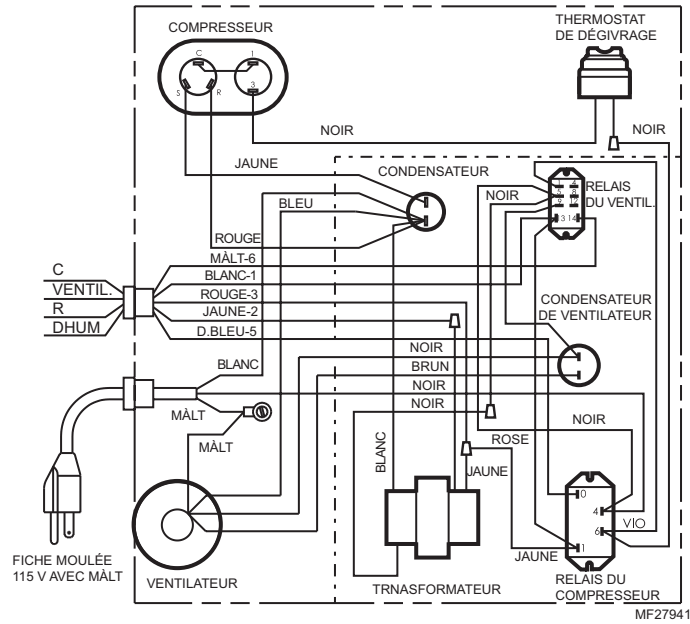
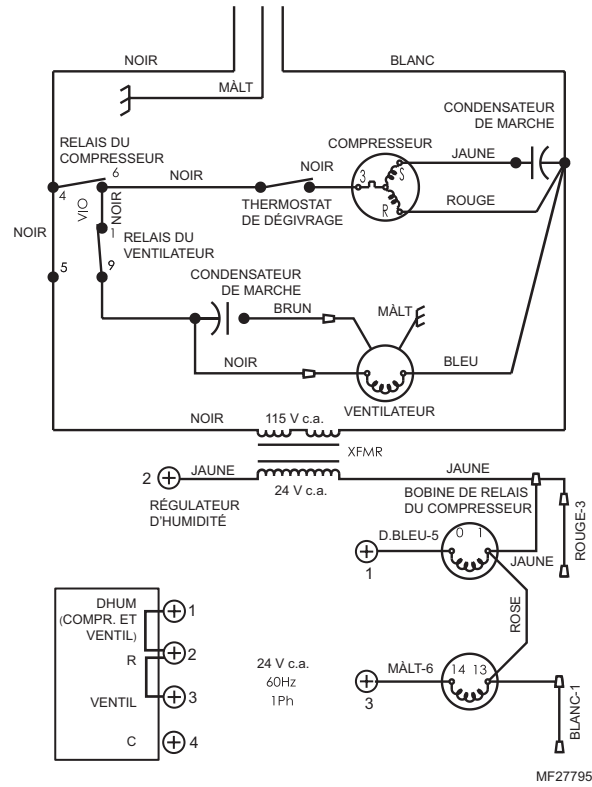
DHUM:	Fonctionnement du compresseur et du ventilateur en vue de la déshumidification.
R:	24 V sous tension
FAN:	Mise en marche du ventilateur pour la ventilation seulement.
C:	Commun 24 V



Raccordement de la gaine à la sortie ovale

Plier la gaine flexible ronde de 10 po pour qu'elle s'insère sur la sortie ovale du DH150.

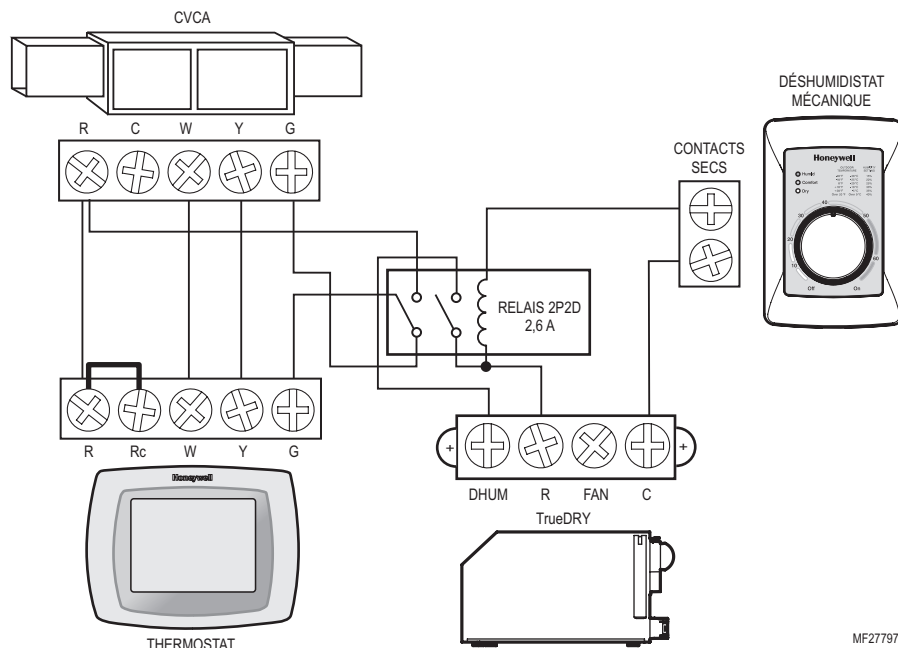
Raccordement électrique



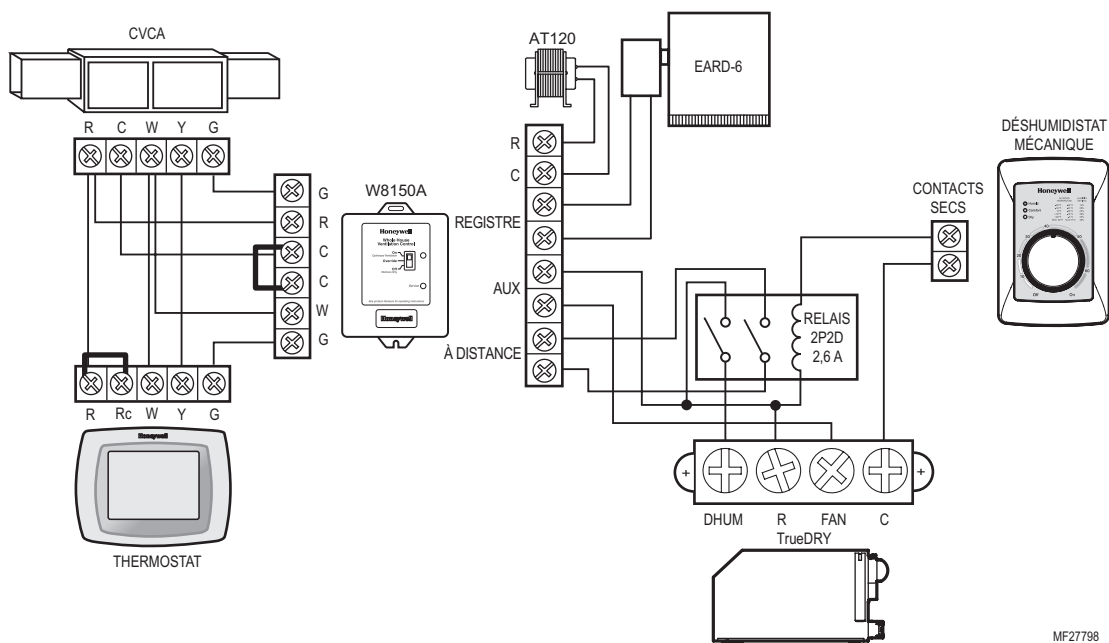
Raccordement électrique

Raccorder le TrueDRY DH150 selon le schéma de raccordement qui correspond à l'application voulue.

Suivre le schéma de raccordement ci-dessous pour une installation raccordée aux gaines d'air faisant appel à un régulateur d'humidité externe.

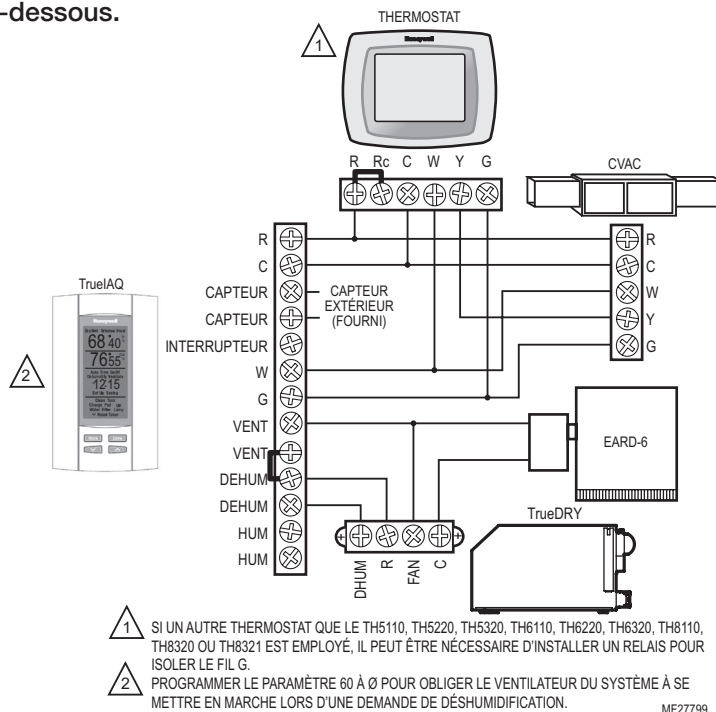


Pour une installation raccordée aux gaines d'air avec régulateur d'humidité et de ventilation externe, suivre le schéma de raccordement ci-dessous.

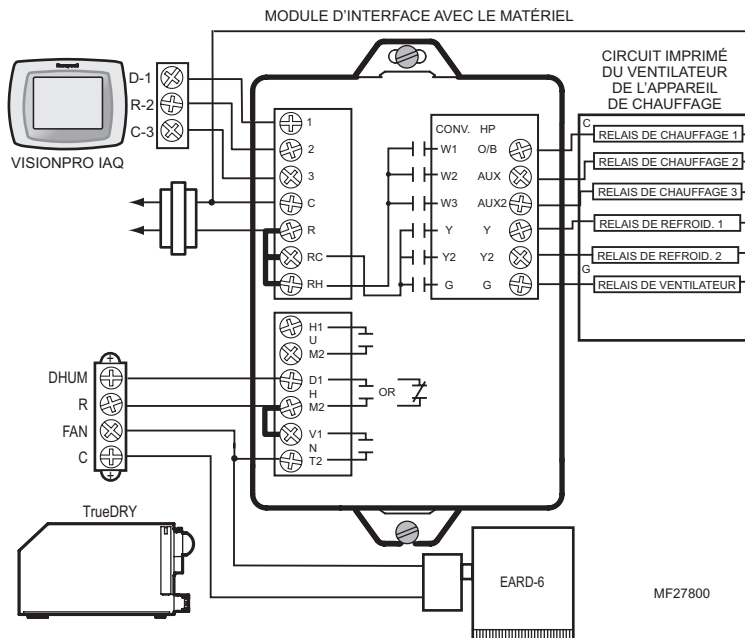


Raccordement électrique

Si le TrueDRY DH150 est employé avec un déshumidistat alimenté tel que le TrueIAQ (DG1 1 5EZIAQ), suivre le schéma de raccordement ci-dessous.



Si le TrueDRY DH150 est employé avec un VisionPRO IAQ, suivre le schéma de raccordement ci-dessous.



Vérification

Rétablir l'alimentation électrique du TrueDRY DH150. Régler le régulateur d'humidité à un faible pourcentage d'humidité relative pour déclencher une demande d'humidité. Confirmer que le compresseur et le ventilateur du TrueDRY DH150 se mettent en marche. Le ventilateur de l'appareil de chauffage se met aussi en marche pour faire circuler l'air. Toute l'opération dure environ deux minutes. S'assurer de remettre le tout à la normale (ou d'éteindre) une fois la vérification terminée. Si le régulateur d'humidité est réglé à Off (arrêt), le TrueDRY DH150 sera également à l'arrêt.

Nettoyage

Pour que le TrueDRY offre un rendement optimal, il faut le nettoyer une fois par année.

1

Débrancher le TrueDRY DH150 avant de commencer l'entretien. Appuyer sur le loquet de la porte vers le bas et tirer. Le filtre peut être retiré des deux côtés.



2

Saisir le filtre par la languette pour le retirer. Remplacer par un filtre neuf.



3

À l'aide d'un carré d'entraînement hexagonal de 1/2 po ou d'un tournevis standard, retirer les huit vis de part et d'autre du TrueDRY DH150. Il est maintenant possible de retirer les panneaux latéraux et supérieur. Avec un linge humide, essuyer la poussière et les débris déposés sur le ventilateur, les serpentins de refroidissement et les serpentins du compresseur. Remettre en place les panneaux et les colliers une fois l'opération terminée.



4

Vérifier le raccord de vidange et le tube de vidange pour s'assurer qu'ils ne sont pas obstrués par des débris et de la saleté. Une fois terminé le nettoyage des tubes de drainage, s'assurer que tous les raccords sont bien fixés.

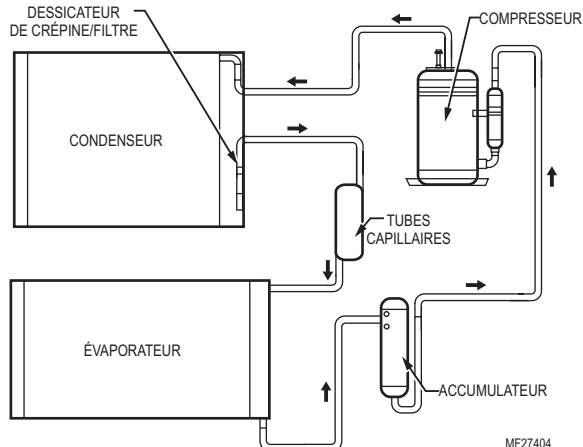


5

Une fois le nettoyage terminé, déclencher une demande de déshumidification et vérifier si le compresseur et le ventilateur se mettent en marche. Si l'installation comporte un thermostat VisionPRO IAQ ou TrueIAQ, remettre à zéro les rappels d'entretien.

Description technique

Le TrueDRY DH150 fait appel à un dispositif de réfrigération semblable à celui d'un climatiseur pour extraire la chaleur et l'humidité contenues dans l'air d'admission et ajouter de la chaleur à l'air soufflé. Un gaz frigorigène chaud à haute pression est acheminé du compresseur au serpentin d'évaporation. Le frigorigène est ensuite refroidi et condensé, transmettant ainsi sa chaleur à l'air qui est sur le point de sortir de l'appareil. Le fluide frigorigène passe ensuite par une crépine et des tubes capillaires qui font diminuer sa pression et sa température. Il passe ensuite par le serpentin d'évaporation qui absorbe la chaleur contenue dans l'air d'admission et s'évapore. L'évaporateur est de type noyé, ce qui signifie que tous les tubes d'évaporation contiennent du frigorigène liquide en mode de fonctionnement normal. Un évaporateur de type noyé devrait maintenir une pression et une température presque constantes sur toute la longueur du serpentin, de l'admission à la sortie.



Le mélange de gaz et de frigorigène liquide pénètre dans l'accumulateur à la sortie du serpentin d'évaporation. L'accumulateur empêche le frigorigène liquide d'atteindre le compresseur. Le compresseur évacue le gaz frigorigène de l'accumulateur et le comprime à haute pression et à haute température afin de répéter le processus.

Dépannage



AVERTISSEMENT : Le TrueDRY DH65 comporte un système de réfrigération sous haute pression et haute tension; sa réparation pose un danger pour la santé qui pourrait provoquer la mort, des blessures graves et des dégâts matériels. Les réparations ne doivent être faites que par un technicien qualifié.

Problème	Raisons possibles
Aucune déshumidification, le ventilateur et le compresseur ne fonctionnent pas et la minuterie du ventilateur est à l'arrêt (OFF).	<ol style="list-style-type: none"> 1. L'appareil est débranché ou il n'y a pas de courant à la prise électrique. 2. Le régulateur d'humidité est réglé trop haut ou est défectueux. 3. Connexion lâche au régulateur ou à l'interne. 4. Relais de compresseur défectueux. 5. Transformateur défectueux. 6. Régulateur basse pression ouvert 7. Interrupteur de sécurité optionnel de la pompe de liquide de condensation ouvert.
Aucune déshumidification, le compresseur ne fonctionne pas, mais le ventilateur fonctionne, et l'interrupteur du ventilateur ainsi que la minuterie du ventilateur sont à l'arrêt (OFF) et le régulateur d'humidité est en marche (ON).	<ol style="list-style-type: none"> 1. Condensateur de marche du compresseur défectueux. 2. Mauvaise connexion du circuit du compresseur. 3. Dispositif de protection contre la surcharge du compresseur défectueux. 4. Compresseur défectueux. 5. Thermostat de dégivrage ouvert.

Dépannage

Problème	Raisons possibles
Le ventilateur fonctionne, et l'interrupteur du ventilateur ainsi que la minuterie du ventilateur sont à l'arrêt (OFF), mais le compresseur effectue des cycles de marche et d'arrêt.	<ol style="list-style-type: none"> 1. Faible température et (ou) humidité ambiante qui pousse l'appareil à fonctionner en mode de dégivrage. 2. Dispositif de protection contre la surcharge du compresseur défectueux. 3. Compresseur défectueux. 4. Thermostat de dégivrage défectueux. 5. Filtre(s) à air encrassé(s) ou obstruction de l'écoulement d'air. 6. Faible charge du frigorigène qui provoque le fonctionnement du régulateur de dégivrage. 7. Mauvaise connexion du circuit du compresseur.
Le ventilateur ne fonctionne pas, peu importe la position de l'interrupteur. Le ventilateur ne fonctionne pas même si la minuterie de ventilation est activée. Le compresseur fonctionne un court moment puis s'interrompt et le régulateur d'humidité est en marche.	<ol style="list-style-type: none"> 1. Connexion lâche dans le circuit du ventilateur. 2. Un obstacle empêche le ventilateur de fonctionner. 3. Le ventilateur défectueux. 4. Relais de ventilateur défectueux. 5. Condensateur du ventilateur défectueux.
Le ventilateur fonctionne et l'interrupteur du ventilateur est à la position de marche. Le ventilateur ne fonctionne pas même si la minuterie de ventilation est activée.	<ol style="list-style-type: none"> 1. Minuterie de ventilation défectueuse. 2. La durée de la minuterie de ventilation est incorrecte. 3. La minuterie de ventilation est réglée au fonctionnement manuel et mise à l'arrêt. 4. Interrupteur du ventilateur défectueux.
Le serpentin d'évaporation est constamment givré, réduisant ainsi sa capacité de déshumidification.	<ol style="list-style-type: none"> 1. Le thermostat de dégivrage est lâche ou défectueux. 2. La charge de frigorigène est basse. 3. Filtre(s) à air encrassé(s) ou obstruction de l'écoulement d'air. 4. Gaine trop restrictive raccordée à l'appareil.
L'appareil n'assure pas la ventilation. La minuterie de ventilation ne fonctionne pas correctement.	<ol style="list-style-type: none"> 1. Si la minuterie de ventilation ne fonctionne pas correctement, la remettre à zéro et la reprogrammer. 2. Vérifier les connexions des fils du régulateur (vérifier également les fils du registre d'air neuf). 3. Registre d'air neuf défectueux. 4. Interrupteur du ventilateur défectueux.
L'appareil extrait une partie de l'humidité, mais pas autant que prévu.	<ol style="list-style-type: none"> 1. La température de l'air et/ou l'humidité de l'air ont diminué. 2. Le capteur d'humidité ou le thermomètre employé n'est pas étalonné. 3. L'appareil est en mode de dégivrage. 4. Filtre(s) à air encrassé(s). 5. Thermostat de dégivrage défectueux. 6. La charge de frigorigène est basse. 7. Fuite d'air causée par un couvercle mal refermé ou une fuite dans les gaines d'air. 8. Compresseur défectueux. 9. Restriction dans les gaines d'air. Interrupteur de sécurité optionnel de la pompe de liquide de condensation ouvert.

Dépannage

Charge du frigorigène

Si l'appareil a perdu du frigorigène lors d'une réparation ou en raison d'une fuite, il faut ajouter à l'appareil une quantité adéquate de frigorigène. S'il reste encore du frigorigène dans l'appareil, il faut d'abord récupérer ce frigorigène avant d'en ajouter du nouveau. Consulter la plaque signalétique de l'appareil pour connaître le poids exact et le type de frigorigène.

Remplacement du ventilateur

Le ventilateur motorisé est un assemblage monolithique composé d'un moteur et d'un ventilateur. En cas de défectuosité, il faut remplacer l'ensemble au complet.

1. Débrancher le cordon d'alimentation.
2. Retirer le panneau d'accès.
3. Retirer la vis qui retient le support de montage du ventilateur à sa base.
4. Débrancher les fils du ventilateur dans le compartiment de raccordement.
5. Retirer l'ensemble ventilateur/support en retirant les 3 vis du support et la bague d'entrée à l'aspiration.
6. Retirer le ventilateur défectueux de son support et le remplacer par le nouveau ventilateur.
7. Remonter le nouveau ventilateur en procédant à l'inverse des étapes qui précèdent. Remarque : Il y a deux goupilles à l'arrière du boîtier qui doivent correspondre aux deux ouvertures du support de montage du ventilateur.

Remplacement du compresseur/condensateur

Ce compresseur comporte un dispositif de protection externe contre la surcharge à deux bornes ainsi qu'un condensateur de marche, mais n'a ni condensateur de démarrage ni relais.

Vérification des circuits du moteur du compresseur

Effectuer les tests suivants si le ventilateur fonctionne et non le compresseur, et que l'interrupteur du ventilateur et la minuterie de ventilation sont à l'arrêt et le régulateur d'humidité en marche.

1. Débrancher l'appareil; retirer le panneau latéral du boîtier et le couvercle du compartiment de raccordement sur le dessus du compresseur.
2. Brancher l'appareil et mettre le régulateur d'humidité en marche. Vérifier s'il y a du courant 110 volts de la borne R du compresseur à la borne de protection contre la surcharge 3 à l'aide d'un voltmètre c.a. S'il n'y a pas de tension, passer à l'étape 3. S'il n'y a pas de tension, il pourrait y avoir une connexion lâche dans le circuit du compresseur. Vérifier la continuité de chacun des composants. Consulter la section appropriée si l'on soupçonne une défectuosité.
3. Débrancher l'appareil, puis débrancher les fils rouge et jaune des bornes R et S du compresseur. À l'aide d'un ohmmètre, vérifier la continuité entre les points énumérés ci-dessous.
4. Bornes C et S du compresseur : l'absence de continuité indique un enroulement de démarrage ouvert. Il faut remplacer le compresseur. La résistance normale d'un enroulement de démarrage est de 3 à 7 ohms.
5. Bornes C et R du compresseur : l'absence de continuité indique un enroulement de fonctionnement ouvert. Il faut remplacer le compresseur. La résistance normale d'un enroulement de fonctionnement est de 0,5 à 2 ohms.
6. Borne C du compresseur et borne de protection contre la surcharge 1 : l'absence de continuité indique que le fil de la protection contre la surcharge est défectueux.
7. Bornes de protection contre la surcharge 1 et 3 : S'il n'y a pas de continuité, il se pourrait que la protection contre la surcharge soit déclenchée. Attendre 10 minutes et essayer de nouveau. S'il n'y a toujours pas de continuité, la protection contre la surcharge est défectueuse et doit être remplacée.
8. Borne C du compresseur et boîtier du compresseur : la continuité indique un moteur mis à la terre. Il faut remplacer le compresseur.
9. Débrancher les fils du condensateur de marche. Régler l'ohmmètre à l'échelle Rx1. Le condensateur est court-circuité et doit être remplacé s'il y a une continuité entre ses bornes. Si l'aiguille de l'ohmmètre ne bouge pas lorsque l'échelle est réglée Rx10000, le condensateur est ouvert et doit être remplacé.
10. Rebrancher les fils du compresseur et du condensateur. Brancher l'appareil et le faire fonctionner. Si le compresseur ne se met pas en marche, remplacer le condensateur de marche.
11. Si l'appareil ne se met toujours pas en marche, l'ajout d'une trousse de démarrage immédiat (relais et condensateur) fournira un couple de démarrage plus élevé. Si cela ne fonctionne pas, le compresseur a un défaut interne et doit être remplacé.

Dépannage

Remplacement d'un compresseur grillé

Le mélange de frigorigène et d'huile d'un compresseur est chimiquement très stable en régime de fonctionnement normal. Lorsqu'un court-circuit se produit dans le moteur du compresseur, l'arc à haute température qui se produit transforme le mélange de frigorigène et d'huile en une boue carbonée, un acide très corrosif et de l'eau. Ces contaminants doivent être soigneusement retirés, car même de petites quantités de résidus attaqueront les ces moteurs de rechange et provoqueront des pannes.

La méthode décrite ci-après n'est efficace que si le système est surveillé après le remplacement du compresseur afin de vérifier que le nettoyage a été bien fait.

1. La marche à suivre ci-dessous suppose que les tests du compresseur qui précèdent ont révélé un court-circuit ou un enroulement ouvert.
2. Retirer la charge du système et en disposer correctement. NE PAS laisser le frigorigène à l'air libre ni le laisser entrer en contact avec la peau ou les yeux.
3. Retirer le compresseur grillé. Utiliser des gants de caoutchouc s'il y a une possibilité que la peau entre en contact avec l'huile ou la boue.
4. Pour faciliter les étapes suivantes, déterminer quel type de claquage a eu lieu. Si les conduites de refoulement ne montrent aucune trace de boue et que la conduite d'aspiration est également propre ou montre quelques traces de dépôts de carbone, le claquage s'est produit alors que le compresseur ne tournait pas. Les contaminants sont par conséquent largement confinés au boîtier du compresseur. Une seule installation d'un filtre/dessiccateur dans les conduites de liquide et d'aspiration suffira à nettoyer le système.

S'il y a de la boue dans la conduite de refoulement, il risque d'y en avoir également dans la conduite d'aspiration. Cela signifie que le claquage s'est produit alors que le compresseur fonctionnait encore. La boue et l'acide ont été aspirés dans l'ensemble du système. Il faudra plusieurs changements de filtres/dessiccateurs pour nettoyer le système.

5. Corriger la défektivité du système qui a provoqué le claquage. Consulter l'usine pour obtenir des conseils.
6. Installer le compresseur de rechange et un nouveau condensateur ainsi qu'un filtre surdimensionné de conduite de liquide.

Dans le cas d'un claquage alors que le compresseur était en marche, installer un filtre/dessiccateur surdimensionné dans la conduite d'aspiration entre l'accumulateur et le compresseur. Faire circuler du frigorigène dans l'accumulateur pour enlever toute la boue emprisonnée et empêcher l'ouverture d'huile de s'obstruer. Un claquage alors que le compresseur ne fonctionnait pas ne nécessite pas de filtre/dessiccateur dans la conduite d'aspiration.

7. Vidanger le système à l'aide d'une bonne pompe à vide et d'un manomètre à vide précis. Laisser la pompe raccordée au système pendant au moins une heure.
8. Faire fonctionner le système pendant un court moment en surveillant la pression d'aspiration afin de déterminer si le filtre de la conduite d'aspiration ne devient pas obstrué. Si la pression diminue, remplacer le filtre/dessiccateur de la conduite d'aspiration. Si un claquage grave s'est produit, il se pourrait que plusieurs filtres/dessiccateurs de rechange soient requis pour retirer la totalité de l'acide et de l'humidité.

REMARQUE : Ne jamais se servir du compresseur pour évacuer le système, en tout ou en partie.

Remplacement d'un compresseur, sans claquage

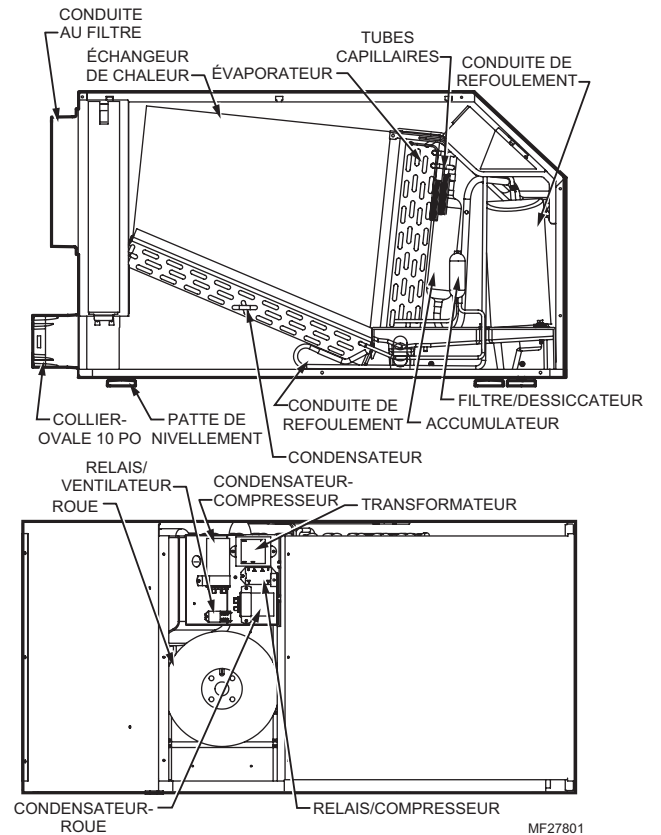
Retirer le frigorigène du système. Remplacer le compresseur et le filtre/dessiccateur de la conduite de liquide. Recharger le système à 50 PSIG et vérifier s'il y a des fuites. Retirer la charge et remettre le poids de frigorigène indiqué sur la plaque signalétique. Mettre le système en marche et vérifier son fonctionnement.

Thermostat de dégivrage

Le thermostat de dégivrage est fixé au tube d'aspiration de frigorigène entre l'accumulateur et le compresseur. Il met automatiquement le compresseur à l'arrêt si la température du frigorigène côté basse pression diminue en raison de la formation d'une trop grande quantité de givre sur le serpentin d'évaporation. Le ventilateur continuera de fonctionner, et l'air circulant dans l'évaporateur fera fondre la glace. Une fois la glace fondue, la température de l'évaporateur augmentera et le thermostat remettra le compresseur en marche.

Liste de pièces

Description	Numéro de pièce
Échangeur de chaleur	50035445-001
Évaporateur	50035445-002
Tubes capillaires, 0,50 po x 0,124 po x 59,00 po	50035445-003
Compresseur—Toshiba 8.1	50035445-004
Accumulateur	50035445-005
Filtre/dessiccateur	50035445-006
Tube—Conduite au filtre	50035445-007
Tube—Conduite de refoulement	50035445-008
Condensateur	50035445-009
Roue	50035445-010
Relais/Ventilateur	50035445-011
Condensateur—Compresseur 45mFd	50035445-012
Transformateur	50035445-013
Relais/Compresseur	50035445-014
Condensateur—Roue 15mFd	50035445-015
Collier—10 po	50035445-016
Collier—Ovale 10 po x 4 po	50035445-017
Collier 6 po et registre	50035445-018
Patte de nivellement	50035445-019
Filtre MERV II	50035445-020



Garantie limitée de cinq ans

Honeywell garantit ce produit contre tout vice de fabrication ou de matière dans la mesure où il en est fait une utilisation et un entretien convenables, et ce, pour cinq (5) ans à partir de la date d'achat par le consommateur. En cas de défectuosité ou de mauvais fonctionnement pendant la période de garantie, Honeywell remplacera ou réparera le produit (au gré de Honeywell) dans un délai raisonnable.

Si le produit est défectueux,

(i) le retourner, accompagné d'une preuve d'achat indiquant la date d'achat, au détaillant auprès de qui il a été acheté; ou

(ii) s'adresser au Service à la clientèle de Honeywell en composant le 1-800-468-1502. Les Services à la clientèle détermineront alors si le produit doit être retourné à l'adresse suivante : Honeywell Return Goods, Dock 4 MN1 0-3860, 1885 Douglas Dr. N., Golden Valley, MN 55422, ou si un produit de remplacement peut vous être expédié.

La présente garantie ne couvre pas les frais de retrait ou de réinstallation. La présente garantie ne s'appliquera pas s'il est démontré que la défectuosité ou le mauvais fonctionnement est dû à un endommagement du produit alors que le consommateur l'avait en sa possession.

La responsabilité de Honeywell se limite à réparer ou à remplacer le produit conformément aux modalités susmentionnées. HONEYWELL N'EST EN AUCUN CAS RESPONSABLE DES PERTES OU DOMMAGES, Y COMPRIS LES DOMMAGES INDIRECTS OU ACCESSOIRES DÉCOULANT DIRECTEMENT OU INDIRECTEMENT D'UNE VIOLATION QUELCONQUE D'UNE GARANTIE, EXPRESSE OU TACITE, APPLICABLE AU PRÉSENT PRODUIT NI DE TOUTE AUTRE DÉFECTUOSITÉ DU PRÉSENT PRODUIT. Certaines provinces ne permettent pas l'exclusion ou la restriction des dommages indirects et, par conséquent, la présente restriction peut ne pas s'appliquer.

LA PRÉSENTE GARANTIE TIENT LIEU DE TOUTES LES AUTRES GARANTIES, EXPRESSES OU TACITES, ET LES GARANTIES DE VALEUR MARCHANDE ET DE CONFORMITÉ À UNE FIN PARTICULIÈRE SONT PAR LES PRÉSENTES EXCLUES APRÈS LA PÉRIODE DE CINQ ANS DE LA PRÉSENTE GARANTIE. Certaines provinces ne permettent pas de limiter la durée des garanties tacites et, par conséquent, la présente limitation peut ne pas s'appliquer.

La présente garantie donne au consommateur des droits légaux spécifiques et peut-être certains autres droits qui peuvent varier d'une province à l'autre.

Pour toute question concernant la présente garantie, prière d'écrire aux Services à la clientèle de Honeywell à l'adresse suivante : Honeywell Customer Relations, 1985 Douglas Drive, Golden Valley, MN 55422, ou encore composer le 1-800-468-1502. Au Canada, prière de s'adresser au service des Produits de détail, Honeywell Limited/ Honeywell Limitée, 35, Dynamic Drive, Toronto (Ontario) M1V 4Z9.

Solutions de régulation et d'automatisation

Honeywell International Inc.	Honeywell Limited-Honeywell Limitée
1985 Douglas Drive North	35 Dynamic Drive
Golden Valley, MN 55422	Toronto, Ontario M1V 4Z9
http://yourhome.honeywell.com	



Honeywell

TrueDRY DH65

Sistema de deshumidificación

GUÍA DE INSTALACIÓN PROFESIONAL

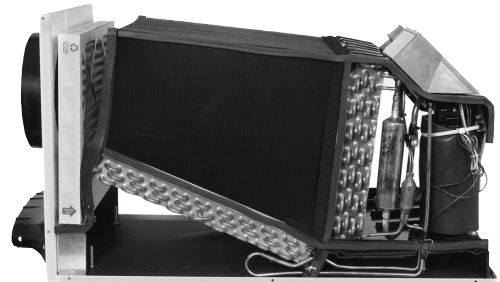
1

Ensamble



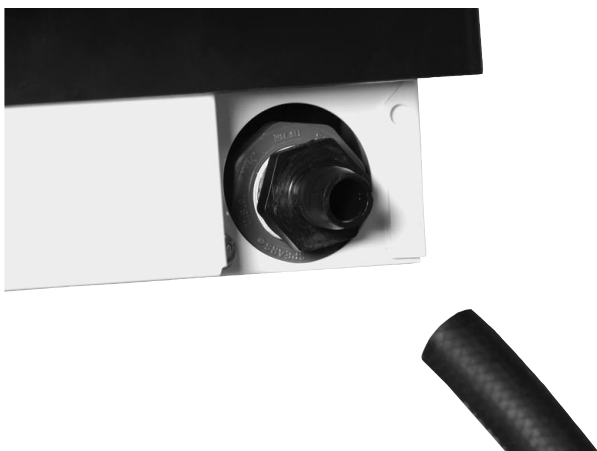
2

Conductos



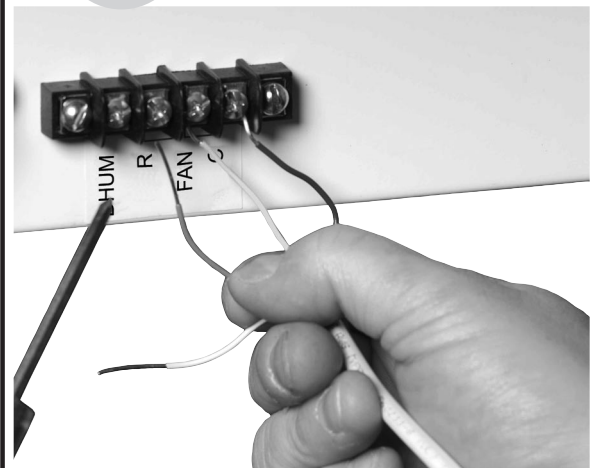
3

Plomería



4

Cables



Debe ser instalado por un técnico capacitado y experimentado

Lea detenidamente estas instrucciones. Si no se siguen estas instrucciones, se puede dañar el producto o provocar una situación peligrosa.

Índice

Acerca de su nuevo deshumidificador

Mantenimiento de la humedad ideal	41
Controles	42
Especificaciones	43

Instalación

Lista de herramientas y materiales	44
Elección del lugar	44
Conductos	46
Plomería.....	47
Descripciones de las terminales.....	47
Cableado	48
Revisión	50

Mantenimiento

Limpieza	51
Solución de problemas.....	52
Lista de piezas	56
Garantía	57

- No instale el terminal de escape del TrueDRY DH65 sin tubería.
- El TrueDRY DH65 está diseñado para ser instalado en interiores en un espacio protegido de la lluvia y de inundaciones.
- Instale la unidad de manera con espacio suficiente para acceder a los paneles posteriores o laterales para realizar el mantenimiento y el servicio técnico. No instale con los paneles de servicio inaccesibles.
- Evite que el aire de descarga se dirija en dirección a las personas o sobre el agua de áreas de piscinas.
- Si se lo utiliza cerca de una piscina o bañera de hidromasaje, asegúrese de que la unidad no corra el riesgo de caer en el agua ni de recibir salpicaduras; también asegúrese de que esté enchufada a un tomacorriente con interruptor de falla a tierra (IFT).
- No utilice el dispositivo como banco o mesa.
- Para garantizar un funcionamiento silencioso, no coloque el dispositivo directamente sobre los soportes estructurales de la casa. Proporciona aislamiento de la vibración para minimizar el ruido.
- Si la unidad se instala sobre una zona habitable o sobre una zona en la que una pérdida de agua podría ocasionar daños, se debe colocar una bandeja de desagüe debajo de la unidad.

¿Necesita ayuda?

Para obtener ayuda sobre este producto, visite <http://yourhome.honeywell.com> o llame de manera gratuita al Servicio al cliente de Honeywell al **1-800-468-1502**

Lea y guarde estas instrucciones.

Acerca del deshumidificador TrueDRY DH65

Debido a su alto rendimiento y eficacia, el TrueDRY DH65 de Honeywell garantiza que la casa se mantenga a niveles de humedad adecuados.

Beneficios

- Elimina hasta 65 pintas (31 l) de agua del aire interior.
- Se lo puede entubar para que controle la humedad de toda la casa o puede funcionar sin estar entubado para tratar las áreas con problemas de humedad, tales como el ático o el espacio debajo del suelo.
- Los paneles de fácil acceso simplifican y agilizan el servicio.



Mantenimiento de la humedad ideal

Los puntos de rocío y la humedad relativa (HR) influyen en la manera en que su cuerpo siente el calor. Los niveles más altos de humedad hacen que el aire se sienta mucho más caliente que la temperatura real. Cuando TrueDRY se instala adecuadamente, su equipo de enfriamiento no funciona tan frecuentemente porque el aire deshumidificado se siente más fresco que el aire húmedo.

CÓMO SE SIENTE EL AIRE

CUÁN CALIENTE SE SIENTE EL AIRE DEBIDO A LA COMBINACIÓN DE CALOR Y HUMEDAD. EJEMPLO: SI EL AIRE ESTÁ A 90 °F (32 °C) CON UN 50% DE HR, ¡EL CUERPO HUMANO LO SIENTE COMO SI FUERAN 96 °F (36 °C)!

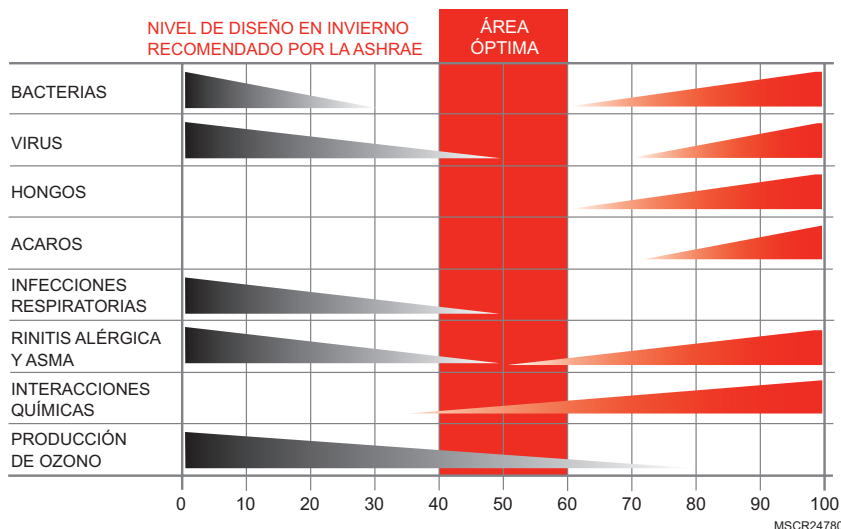
		HUMEDAD RELATIVA (PORCENTAJE)																				
		0	5	10	15	20	25	30	35	40	45	50	55	60	65	70	75	80	85	90	95	100
TEMPERATURA DEL AIRE (GRADOS FAHRENHEIT)	100	91	93	95	97	99	101	104	107	110	115	120	126	132	138	144						
	95	87	88	90	91	93	94	96	98	101	104	107	110	114	118	124	130	136				
	90	83	84	85	86	87	88	90	91	93	95	96	98	100	102	106	109	113	117	122		
	85	78	79	80	81	82	83	84	85	86	87	88	89	90	91	93	95	97	99	102	105	108
	80	73	74	75	76	77	77	78	79	79	80	81	81	82	83	85	86	86	87	88	89	91
	75	69	69	70	71	72	72	73	73	74	74	75	75	76	76	77	77	78	78	79	79	80
	70	64	64	65	65	66	66	67	67	68	68	69	69	70	70	70	71	71	71	71	71	72

FUENTE: EL ÍNDICE DE TEMPERATURA Y HUMEDAD LO DEDUJO R.G. STEADMAN, REVISTA JOURNAL OF APPLIED METEOROLOGY, JULIO DE 1979.

MS27328

Según lo definen los expertos de la industria*, la humedad ideal es la que se encuentra entre el 40 y el 60%, en base a un promedio anual. Cuando la humedad interior es mayor al 60%, la casa está mucho más propensa al crecimiento de moho y hongos. El TrueDRY DH150 protege la casa del exceso de humedad durante todo el año.

*Sociedad Americana de Ingenieros en Calefacción, Refrigeración y Aire Acondicionado (American Society of Heating, Refrigerating and Air Conditioning Engineers, ASHRAE).



MSCR24780

Opciones de control

El TrueDRY DH150 puede utilizarse con uno de los siguientes controles externos:



Sistema de confort total VisionPRO IAQ (YTH9421C1010)

- Controla la calefacción/refrigeración y la deshumidificación.
- Sensor incluido para visualizar la temperatura exterior.
- Interfaz intuitiva del usuario para una fácil programación de la temperatura por siete días.
- Pantalla digital con luz de fondo fácil de leer.
- Recordatorios de mantenimiento y de servicio técnico.
- Controla otros equipos que miden la calidad del aire interior cuando usted está listo.



Control digital TrueIAQ (DG115EZIAQ)

- Los ajustes automáticos mantienen la humedad ideal.
- Sensor para visualizar la temperatura y la humedad exterior.
- Muestra la humedad real y las configuraciones deseadas de humedad.
- La programación avanzada de la ventilación cuenta con apagado en condiciones extremas y para economizar.
- Recordatorios de mantenimiento y de servicio técnico
- Controla otros equipos que miden la calidad del aire interior cuando usted está listo.



Deshumidistato manual (H8908DSPST) y controles automáticos de ventilación (W8150A1001)

- Control manual de humedad con configuraciones intuitivas y cómodas.
- Gráfico de humedad integrada para un control preciso en condiciones exteriores cambiantes.
- Control automático de ventilación W8150 conforme al código industrial de la ASHRAE o para un funcionamiento continuo.

Especificaciones

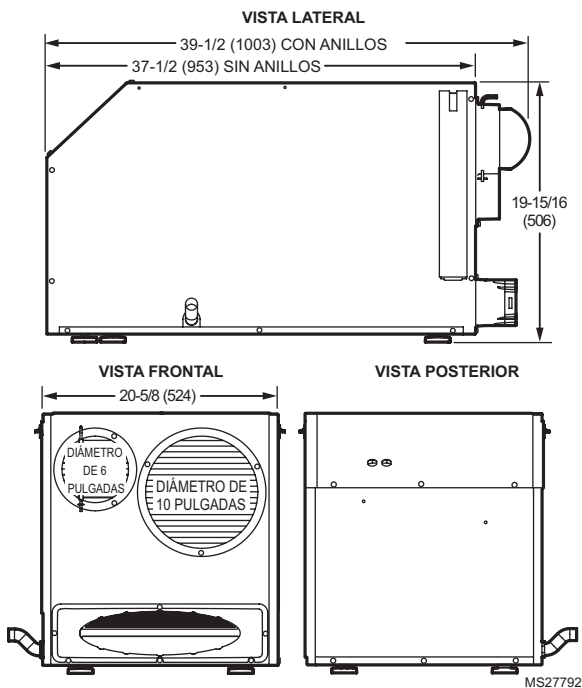
Instale TrueDRY DH150 de acuerdo con las normativas nacionales de electricidad.

Temperatura de bulbo seco	Temperatura de bulbo húmedo	Humedad de entrada	Capacidad (pintas [l]/día)
80 °F (27 °C)	70 °F (21 °C)	60% de HR	150 pintas (30,8 l)
70 °F (21 °C)	61 °F (16 °C)	60% de HR	XX pintas (19,9 l)
60 °F (16 °C)	52 °F (11 °C)	60% de HR	XX pintas (9,9 l)

Tamaño de la casa (pies [metros] cuadrados)	Capacidad del deshumidificador necesaria para mantener la HR* interior deseada		
	60% de HR interior (pintas [l]/día)	50% de HR interior (pintas [l]/día)	40% de HR interior (pintas [l]/día)
2080 pies ² (193,2 m ²)	49 a 54 pintas (23,2 a 25,6 l)	55 a 58 pintas (26 a 27,4 l)	71 a 78 pintas (33,6 a 36,9 l)
2600 pies ² (241,5 m ²)	61 a 68 pintas (28,9 a 32,2 l)	65 a 72 pintas (30,8 a 34,1 l)	90 a 97 pintas (42,6 a 45,9 l)
3120 pies ² (289,9 m ²)	75 a 82 pintas (35,5 a 38,8 l)	79 a 86 pintas (37,4 a 40,7 l)	95 a 110 pintas (45 a 52 l)

* En base a climas extremos donde la humedad exterior es del 70 al 90% de HR. En el caso de climas menos extremos, las casas más grandes pueden aclimatarse correctamente con menos capacidad. Es posible que los requisitos reales varíen.

Dimensiones:



Peso del producto: 134 libras

Peso de embarque: 164 libras

Dimensiones de embarque: 28 1/4 pulgadas de alto x 42 pulgadas de ancho x 24 pulgadas de largo

Filtro: valor de eficiencia mínima informado de 11, 18 pulgadas de alto x 16 pulgadas de ancho x 2 pulgadas de profundidad

Conexión del desagüe: conexión hembra con rosca NPT de 3/4 pulgada (1,9 cm) con conexión macho incorporada de 3/4 pulgada (1,9 cm).

Conexiones del conducto: Entradas redondas de 10 y 6 pulgadas (25,4 y 15,2 cm). Entrada ovalada de 10 pulgadas (25,4 cm)

Gabinete: acero galvanizado calibre 20, pintado con pintura en polvo.

Aislamiento: valor R 1

Compresor: rotativo

Refrigerante: 2 libras, R-410.A)

Rango de temperatura de funcionamiento (afuera del gabinete): 56 °F a 95 °F (13 °C a 35 °C)

Rango de humedad de funcionamiento: 0 a 99% de HR

Flujo de aire versus presión estática externa (0 a 1 pulgada [0 a 25,4 mm] de presión de agua) con anillos incorporados

0 pulgadas WG (0 mm)	415 PCM
0,4 pulgadas WG (10,2 mm)	365 PCM

Calificaciones de entrada

- Voltaje de entrada: 120VAC—1 fase—60 Hz nominal
- Corriente de entrada: 6,9 amperios

Calificaciones de salida

- **Transformador de energía para las terminales R/C:** 24 VCA, 0,85 A
- **Rendimiento energético:** 3,6 pintas (1,7 litros) por kilovatio-hora (KWH)

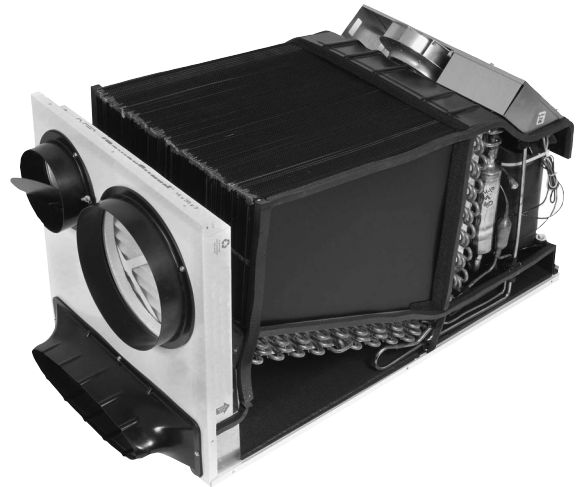
Normas y requisitos del organismo encargado de la aprobación

Probado por ETL de acuerdo con la norma 474 (deshumidificador entubado).

Lista de verificación para la instalación

Herramientas necesarias

- Impulsor de cabeza hexagonal de 3/8 pulgadas
- Taladro o herramienta cortante para conductos
- Alicates o cortadores de cables
- Destornillador estándar
- Cinta para embalar
- Conducto redondo de 8 pulgadas (20,3 cm) y collar de arranque
- Cable de termostato calibre 18 a 22, de 5 bandas
- Línea de desagüe de 1/2 pulgada (1,3 cm) de diámetro (8 pies [2,4 m])
- Abrazaderas de desagüe de 1/2 pulgada (1,3 cm) (2)



Materiales suministrados

- Tornillos para lámina de metal (9)
- Anillo de 6 pulgadas (15,2 cm) para conducto plástico
- Anillo de 10 pulgadas (25,4 cm) para conducto plástico
- Anillo ovalado de 10 pulgadas x 4 pulgadas (25,4 cm x 10,2 cm) para conducto plástico

Opciones:

- Trampa en P para desagüe de 1/2 pulgada (1,3 cm) (es posible que el código local la exija)
- Control de humedad externo
 - Deshumidistato manual (H8908DSPST), ventilación automática (W8150A1001)
 - TrueIAQ (DG115EZIAQ)
 - VisionPRO IAQ (YTH9421C1010)



ADVERTENCIA: la instalación la debe realizar un técnico de reparación calificado y debe cumplir con los códigos locales. Retire la fuente de energía del dispositivo antes de instalar o reparar el dispositivo. Si no conecta el dispositivo según estas instrucciones, el dispositivo o los controles se pueden dañar.

Aplicación para la cual fue diseñado

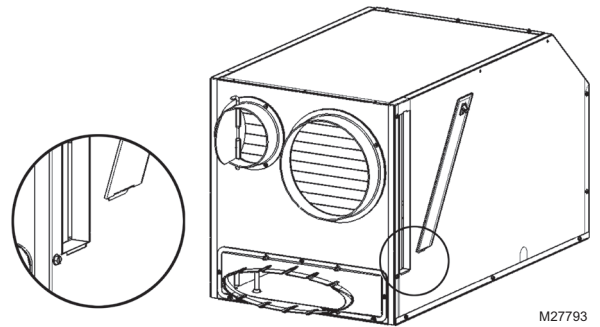
Para la instalación ideal, extraiga aire de la parte central de la vivienda y devuélvalo a las áreas aisladas de la vivienda como los dormitorios, el estudio, la habitación para usos múltiples o la sala de estar. El conjunto de conductos del sistema existente puede utilizarse para suministrar aire a la vivienda.

Door and Collar Assembly

Instalación de la puerta

Inserte la pestaña en la parte inferior de la puerta entre la instalación de espuma y el lado metálico.

Presione hacia abajo el cerrojo plástico de la puerta y cierre la puerta. Una vez que la puerta esté cerrada, libere el cerrojo de la puerta.

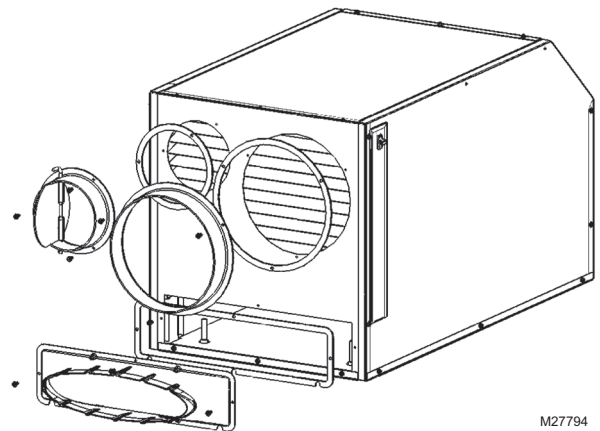


M27793

Instalación del anillo

Retire los dos conductos redondos, 1 conducto ovalado, los 3 sellos y la bolsa pequeña de herrajes para el montaje de la parte interior de la abertura rectangular.

Adhiera los sellos a la parte posterior de cada conducto y monte los conductos en la parte frontal del deshumidificador utilizando los tornillos que se suministran.



M27794

Realice la instalación según sus necesidades

Se recomienda utilizar un conducto flexible al conectar los anillos del TrueDRY DH65 para reducir el ruido producido por la vibración.

Dimensiones del conducto: Para los largos totales de los conductos, utilice conductos redondos o rectangulares medidos correspondientemente:

- 10 pulgadas (26 cm) para menos de 25 pies (7,6 m)
- 12 pulgadas (30,5 cm) para menos de 25 pies (7,6 m)

Para el puerto opcional de ventilación de aire fresco, utilice conducto redondo aislado medido correspondientemente:

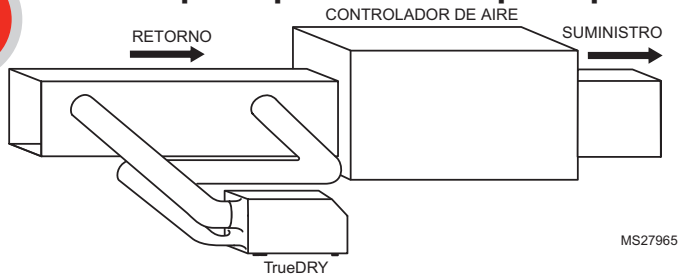
- Redondo de 6 pulgadas (15,2 cm) para longitudes inferiores a 50 pies (15,2 m)
- Redondo de 8 pulgadas (20,3 cm) para longitudes mayores de 50 pies (15,2 m), o si se requieren más de 100 cfm



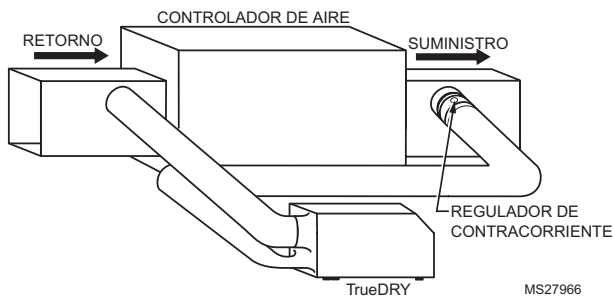
ADVERTENCIA: Si el ventilador interno queda expuesto puede causar lesiones. Es necesario colocar conductos en el terminal de escape.



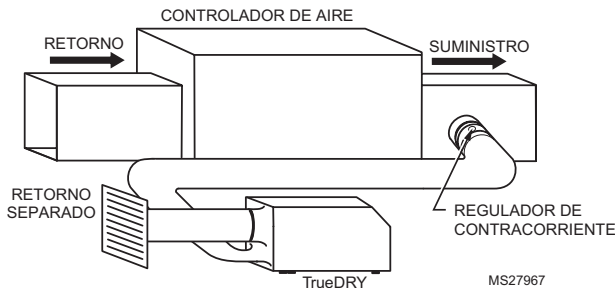
Retorno principal a retorno principal



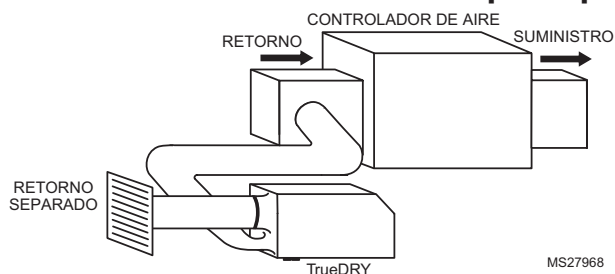
Retorno principal a suministro principal



Retorno especial a suministro principal

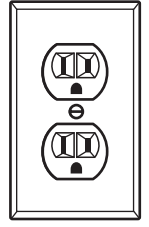


Retorno dedicado a retorno principal



Requisitos eléctricos:

salida de 115 VCA. Se recomienda un interruptor de falla a tierra (IFT).



Ideal cuando...

- El TrueDRY DH65 funciona con CA.
- Es preferible minimizar el aumento de la temperatura del aire de descarga (discharge air temperature, DAT).
- El espacio así lo requiere.

Ideal cuando...

- El TrueDRY DH65 funciona con CA opuesta. El funcionamiento con CA exige el uso de un regulador en el puerto de salida para minimizar la contracorriente cuando hay CA pero el TrueDRY DH65 no está encendido.
- Se prefiere minimizar el incremento de la DAT.
- El espacio así lo requiere.

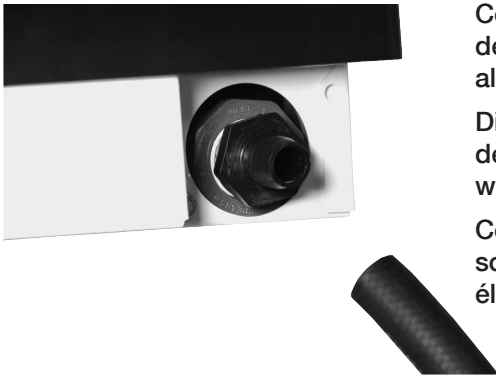
Ideal cuando...

- Se seca un área específica de la casa.
- El funcionamiento con CA exige el uso de un regulador de contracorriente en el puerto de salida para minimizar la contracorriente cuando hay CA pero el TrueDRY DH65 no está encendido.
- Se prefiere minimizar el incremento de la DAT.

Ideal cuando...

- El TrueDRY DH150 funciona con A/C.
- Se seca un área específica de la casa.
- Se prefiere minimizar el incremento de la DAT.

Plomería



Conecte un tubo de desagüe de ½ pulgada (1,3 cm) a la salida de desagüe con conexión macho. Asegure el tubo de desagüe al conector con la abrazadera de la manguera.

Dirija la manguera de desagüe siempre hacia abajo y hacia un desagüe aprobado o a una bomba de condensado. Route drain with a trap if possible.

Coloque TrueDRY DH150 sobre soportes que eleven la base sobre las bridas superiores de la bandeja de drenaje debajo de él. Elevarlo optimizará el flujo de drenaje por gravedad.

Descripción de las terminales

En el extremo inclinado de TrueDRY DH150 se encuentra ubicada una terminal para cableado con cuatro bloques.

* **Nota:** los tornillos externos aseguran el bloque al TrueDRY DH150. No son para realizar el cableado.

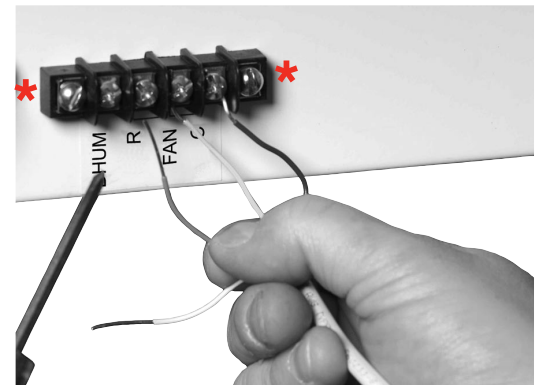


PRECAUCIÓN: peligro de bajo voltaje.

Puede dañar el equipo.

Desconecte el equipo de calefacción, ventilación y aire acondicionado antes de comenzar la instalación.

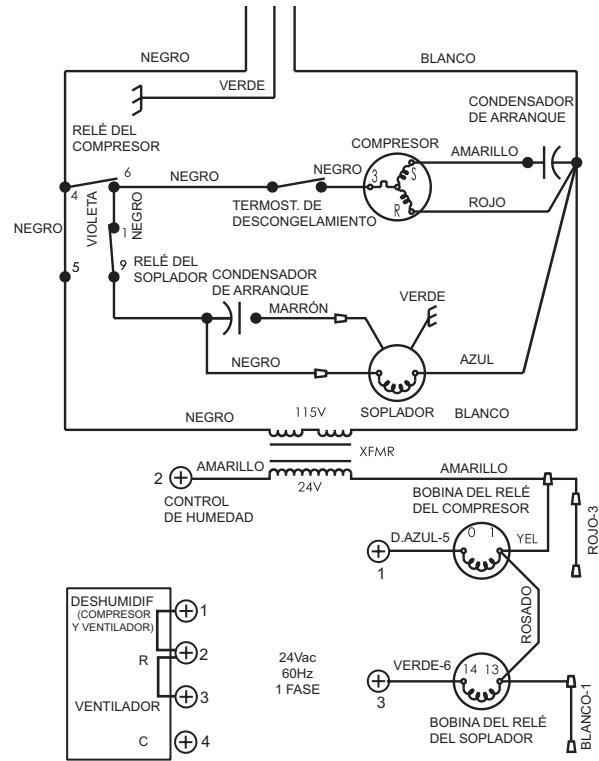
DHUM:	(deshumidificador): funcionamiento del compresor y del ventilador para la deshumidificación.
R:	24V activo
FAN:	(ventilador): activación del ventilador únicamente para ventilación.
C:	(compresor): común de 24 V.



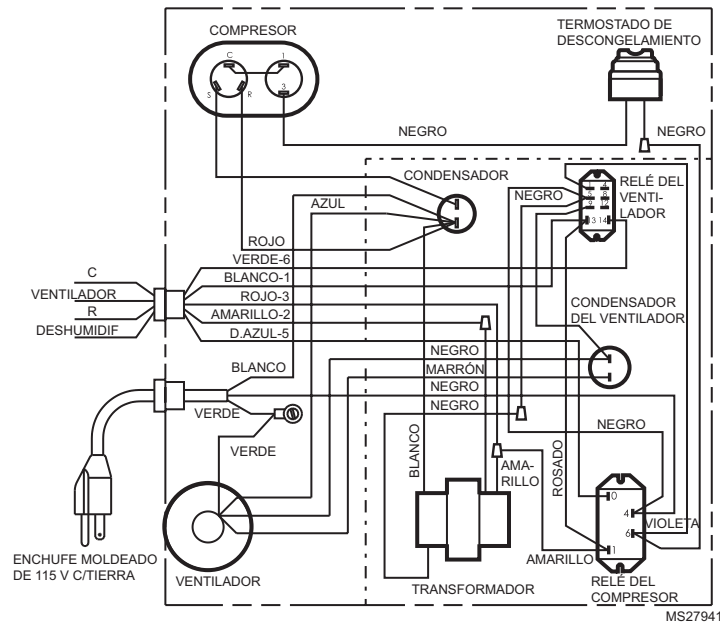
Conductos hacia la salida ovalada

Doble el conducto flexible redondo de 10 pulgadas (25,4 cm) para que encaje sobre la salida ovalada DH150.

Cableado



MS27795

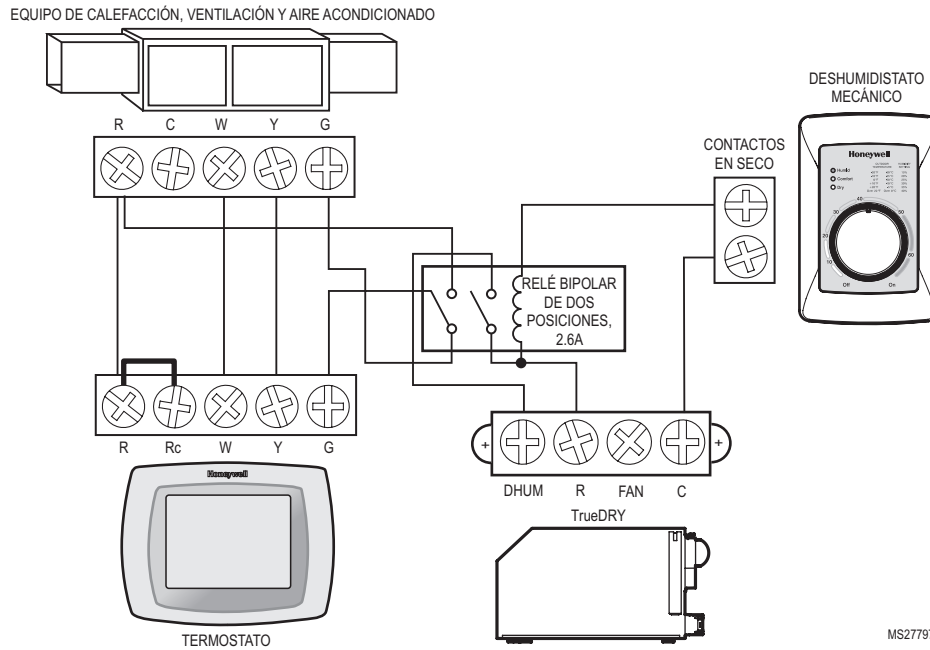


MS27941

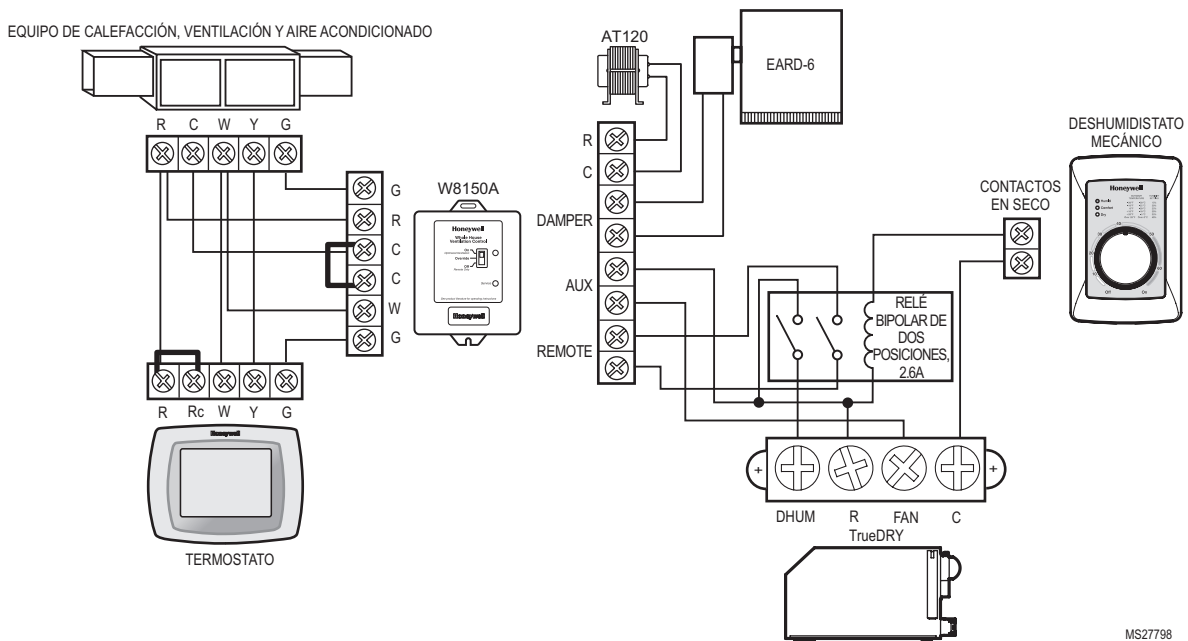
Cableado

Conecte el TrueDRY DH150 según el diagrama que se aplique al funcionamiento que usted desee.

Siga este diagrama para el funcionamiento entubado con un control de humedad externo.

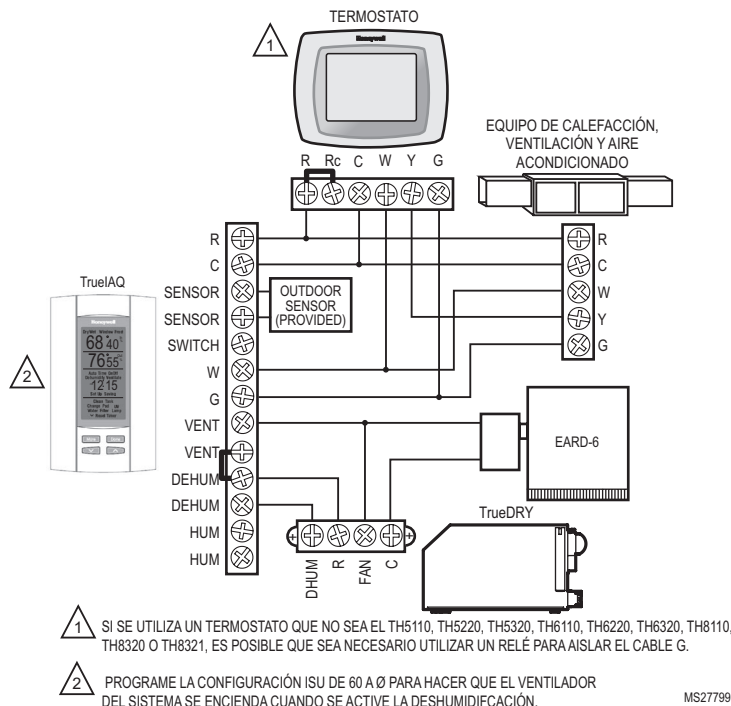


En el caso del funcionamiento entubado con control de humedad externa y de ventilación, siga el siguiente diagrama.

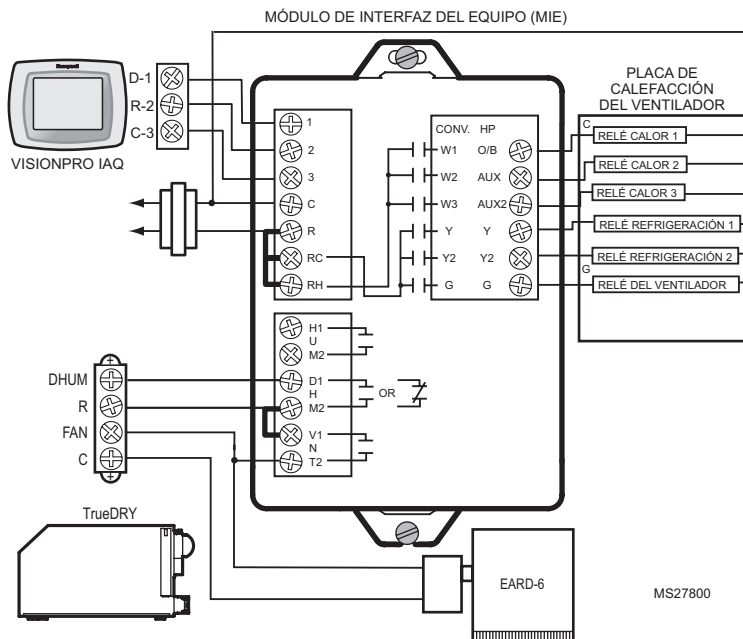


Cableado

Siga este diagrama si utiliza el TrueDRY DH150 con un deshumidistato eléctrico, tal como el TrueIAQ (DG115EZIAQ).



Siga este diagrama si utiliza el TrueDRY DH150 con el VisionPRO IAQ.



Revisión

Conecte la energía al TrueDRY DH150. Coloque el control de humedad a un nivel bajo del % de HR para comenzar con la demanda de humedad. Confirme que el compresor y el ventilador del TrueDRY DH150 estén encendidos. El soplador de calefacción también se encenderá para hacer circular el aire. Esto puede demorar hasta dos minutos. Asegúrese de bajarlo (o apagarlo) una vez que haya completado la revisión. Cuando se apaga el control de humedad, se apaga el TrueDRY DH150.

Limpeza

Se debe realizar el mantenimiento anual para garantizar que el TrueDRY funcione en su máxima eficiencia.

1

Desenchufe el TrueDRY DH65 antes de comenzar el mantenimiento. Presione hacia abajo el mecanismo para desenganchar la puerta y hale. El filtro puede retirarse desde cualquier lado.



2

Agarre la lengüeta del filtro ubicada en la parte inferior y retire el filtro. Reemplace con un filtro nuevo.



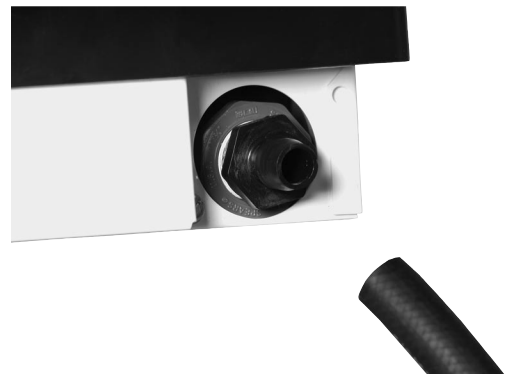
3

Con un impulsor de cabeza hexagonal de ½ pulgada (1,3 cm) o con un destornillador estándar, retire los ocho tornillos que se encuentran a ambos lados del TrueDRY DH150. Se pueden retirar los paneles laterales y superiores. Con un paño húmedo, limpie el exceso de polvo y los desechos del soplador, de las bobinas refrigerantes y de las bobinas del compresor. Al finalizar, vuelva a colocar los paneles y los anillos.



4

Verifique la conexión del desagüe y la línea de desagüe para asegurarse de que no tengan desechos ni sedimentos. Después de realizar el mantenimiento en las líneas de desagüe, asegúrese de que todas las conexiones de la manguera estén aseguradas.

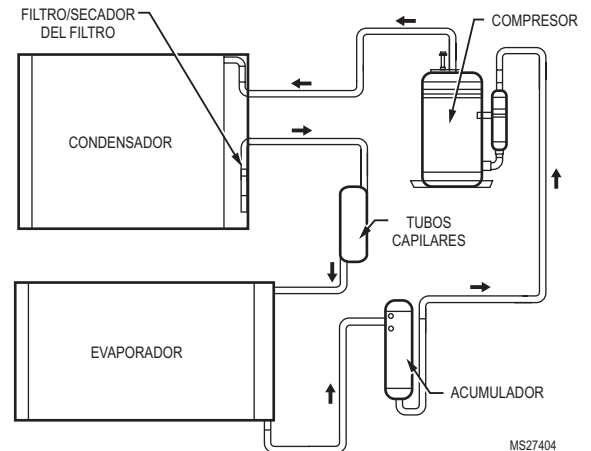


5

Al finalizar el mantenimiento, realice una demanda de deshumidificación y verifique que el compresor y el ventilador se activen. Si utiliza los controles digitales del VisionPRO IAQ o del TrueIAQ, vuelva a configurar los recordatorios de mantenimiento.

Descripción técnica

El TrueDRY DH150 utiliza un sistema de refrigeración, similar al utilizado en los aires acondicionados, que elimina el calor y la humedad del aire entrante y agrega calor al aire que se descarga. El gas refrigerante caliente de alta presión se dirige desde el compresor hasta la bobina del condensador. Al darle calor al aire que está por salir de la unidad, el refrigerante se enfría y condensa. El líquido refrigerante pasa a través del filtro y de los tubos capilares, lo que hace que la presión refrigerante y la temperatura disminuyan. Luego ingresa en la bobina del evaporador donde absorbe el calor del aire entrante y se evapora. El evaporador funciona en un estado inundado, es decir, durante el funcionamiento normal, todos los tubos del evaporador tienen líquido refrigerante. El evaporador inundado debe mantener la presión y la temperatura casi constantes en toda la bobina, desde la entrada hasta la salida.



La mezcla de gas y refrigerante líquido ingresa al acumulador después de dejar el serpentín del evaporador. El acumulador evita que cualquier refrigerante líquido alcance el compresor. El compresor evacua el gas refrigerante del acumulador y lo comprime a alta presión y temperatura para repetir el proceso.

Solución de problemas



PRECAUCIÓN: la realización de la reparación del TrueDRY DH150 con el sistema refrigerante de alta presión y el circuito de alto voltaje significa un riesgo para la salud y puede provocar la muerte, lesiones corporales graves y/o daños a la propiedad. La reparación la debe realizar únicamente un técnico de reparación calificado.

Problema	Posibles razones
No hay deshumidificación, no funcionan ni el ventilador del impulsor ni el compresor con el interruptor del ventilador y el temporizador de ventilación en la posición OFF (apagado).	<ol style="list-style-type: none"> 1. La unidad está desenchufada o no hay suministro de energía al tomacorriente. 2. La configuración del control de humedad está demasiado alta o el control de humedad está defectuoso. 3. La conexión está suelta en el cableado interno o de control. 4. El relé del compresor está defectuoso. 5. El transformador del control está defectuoso. 6. El control de baja presión está abierto. 7. El interruptor opcional para seguridad de la bomba de condensado está abierto.
No hay deshumidificación, el compresor no funciona pero el ventilador del impulsor trabaja con el interruptor del ventilador y el temporizador de ventilación OFF (apagado) y el control de humedad está en la posición ON (encendido).	<ol style="list-style-type: none"> 1. El condensador de funcionamiento del compresor está defectuoso. 2. La conexión en el circuito del compresor es inadecuada. 3. La sobrecarga del compresor está defectuosa. 4. El compresor está defectuoso. 5. El termostato de descongelamiento está abierto.

Solución de problemas

Problema	Posibles razones
El ventilador del impulsor funciona con el interruptor del ventilador y el temporizador de ventilación OFF (apagado), pero el compresor pasa por las etapas on y off (encendido y apagado).	<ol style="list-style-type: none"> 1. La temperatura ambiente y/o la humedad bajas hacen que la unidad comience el ciclo a través de la modalidad de descongelamiento. 2. La sobrecarga del compresor está defectuosa. 3. El compresor está defectuoso. 4. El termostato de descongelamiento está defectuoso. 5. El o los filtros de aire están sucios o el flujo de aire es limitado. 6. La carga de refrigerante es baja, lo que provoca que el control de descongelamiento comience el ciclo. 7. La conexión en el circuito del compresor es inadecuada.
El ventilador del impulsor no funciona, independientemente de la posición en la que se encuentre el interruptor. El ventilador del impulsor no funciona con el temporizador de la ventilación activado. El compresor funciona poco tiempo, pero se prende y apaga con el control de humedad en la posición ON (encendido).	<ol style="list-style-type: none"> 1. La conexión en el circuito del impulsor del ventilador está suelta. 2. El ventilador del impulsor no gira debido a una obstrucción. 3. El ventilador del impulsor está defectuoso. 4. El relé del ventilador del impulsor está defectuoso. 5. El condensador del ventilador del impulsor está defectuoso.
El ventilador del impulsor funciona con el interruptor del ventilador en la posición ON (encendido). El ventilador del impulsor no funciona con el temporizador de ventilación activado.	<ol style="list-style-type: none"> 1. El temporizador de ventilación está defectuoso 2. La hora no está correcta en el temporizador de ventilación. 3. El temporizador de ventilación está configurado a operación manual y se ha cambiado a OFF (apagado). 4. El interruptor del ventilador está defectuoso.
El serpentín del evaporador se escarcha constantemente, la capacidad de deshumidificación es baja.	<ol style="list-style-type: none"> 1. El termostato de descongelamiento está suelto o defectuoso. 2. La carga de refrigerante es baja. 3. El o los filtros de aire están sucios o el flujo de aire es limitado. 4. Cantidad excesiva de conductos restrictivos conectados a la unidad.
La unidad no proporciona ventilación. El temporizador de ventilación no funciona correctamente.	<ol style="list-style-type: none"> 1. Si el temporizador no está funcionando correctamente reinicie el temporizador y re programe. 2. Revise las conexiones del cable de control (revise también las conexiones del regulador de flujo de aire fresco). 3. El regulador de aire fresco está defectuoso. 4. El interruptor del ventilador está defectuoso.
La unidad elimina un poco de agua, pero no tanto como se esperaba.	<ol style="list-style-type: none"> 1. La temperatura ambiente y/o la humedad ha descendido. 2. El medidor de humedad o el termómetro que se utilizan están descalibrados. 3. La unidad ingresó al ciclo de descongelamiento. 4. El filtro de aire está sucio. 5. El termostato de descongelamiento está defectuoso. 6. La carga de refrigerante es baja. 7. Filtración de aire debido a una cubierta suelta o por filtraciones en los conductos. 8. El compresor está defectuoso. 9. Los conductos están restringidos. 10. El interruptor opcional para seguridad de la bomba de condensado está abierto.

Solución de problemas

Carga del refrigerante

Si se pierde la carga del refrigerante durante la reparación o debido a una filtración, se debe realizar una carga nueva, pesándola con precisión. Si queda algo de la carga vieja en el sistema, se la debe recuperar antes de pesar la carga nueva. Consulte la placa de identificación de la unidad para saber el peso correcto de carga y el tipo de refrigerante.

Reemplazo del ventilador del impulsor

El ventilador motorizado del impulsor es un ensamble unitario que consiste de el motor y el ventilador del impulsor. Si está defectuoso, el ensamble completo deberá reemplazarse.

1. Desenchufe el cable de alimentación.
2. Retire el panel de acceso al gabinete.
3. Retire el tornillo que fija el soporte del ventilador del impulsor a la base.
4. Desconecte los cables del ventilador del impulsor dentro de la caja eléctrica.
5. Retire el ensamble del soporte/ventilador retirando 3 tornillos del soporte y del ensamble del aro de entrada.
6. Retire el ventilador del impulsor defectuoso del soporte y reemplácelo con el nuevo ventilador del impulsor.
7. Vuelva a ensamblar el nuevo ventilador del impulsor reversando el procedimiento indicado anteriormente. Nota: Hay dos sujetadores en la parte posterior del gabinete que deberán alinearse con los dos agujeros en el soporte del ventilador del impulsor.

Reemplazo del compresor/condensador

Este compresor cuenta con una sobrecarga externa de dos terminales y con un condensador de funcionamiento, pero no tiene un condensador o relé de arranque.

Revisión de los circuitos del motor del compresor

Efectúe las siguientes pruebas si el ventilador del impulsor funciona pero el compresor no funciona con el interruptor del ventilador y el temporizador de ventilación en OFF (apagado) y el control de humedad en ON (encendido).

1. Desenchufe la unidad; retire el costado del gabinete y la tapa de la conexión eléctrica en la parte superior del compresor.
2. Enchufe la unidad y gire el control de humedad a la posición ON (encendido). Revise que haya 110 voltios en el terminal R del compresor al terminal de sobrecarga 3 utilizando un voltímetro AC. Si hay voltaje presente, vaya al paso 3. Si no hay voltaje, puede haber una conexión suelta en el circuito del compresor. Pruebe cada componente para verificar continuidad. Refiérase a la sección adecuada si sospecha un defecto.
3. Desenchufe la unidad y luego desconecte los cables rojo y amarillo de los terminales del compresor R y S. Utilizando un ohmnímetro revise la continuidad entre los puntos indicados más abajo.
4. Terminales C y S del compresor: Si no hay continuidad indica un embobinado de arranque abierto. El compresor deberá reemplazarse. La resistencia de embobinado de arranque normal es de 3 a 7 Ohms.
5. Terminales C y R del compresor: Si no hay continuidad indica un bobinado de arranque abierto. El compresor deberá reemplazarse. La resistencia de embobinado de arranque normal es de 0,5 a 2 Ohms.
6. Terminal C del compresor y terminal de sobrecarga 1: Si no hay continuidad indica un cable de sobrecarga defectuoso.
7. Terminales de sobrecarga 1 y 3: Si no hay continuidad, la sobrecarga puede haberse disparado. Espere 10 minutos e intente de nuevo. Si no existe aún continuidad, está defectuoso y debe ser reemplazado.
8. Terminal C del compresor y el cárter del compresor: La continuidad indica un motor en cortocircuito. El compresor deberá reemplazarse.
9. Desconecte los cables del condensador de arranque. Coloque el ohmnímetro en la escala Rx1. El condensador está en cortocircuito y deberá reemplazarse si existe continuidad en sus terminales. Si no hay movimiento de la aguja con el medidor colocado en la escala Rx100000, el condensador está abierto y deberá reemplazarse.
10. Reconecte los cables al compresor y al condensador. Enchufe y encienda la unidad. Si el compresor no arranca, reemplace el condensador de arranque.
11. Si aún así no arranca la unidad, añadir un kit para arranque dificultoso (relé y condensador) proporcionará una mayor potencia en el arranque. Si esto no resulta, el compresor tiene un defecto mecánico interno y deberá ser reemplazado.

Solución de problemas

Reemplazo de un compresor quemado

El refrigerante y la mezcla de aceite de un compresor son muy estables desde el punto de vista químico en condiciones normales de funcionamiento. Sin embargo, cuando ocurre un cortocircuito eléctrico en el motor del compresor, el arco alto de temperatura resultante ocasiona que una porción de la mezcla de aceite y refrigerante se descomponga en un sedimento ennegrecido que es un ácido muy corrosivo y agua. Estos contaminantes deberán retirarse cuidadosamente o incluso los pequeños residuos atacarán los motores del compresor de reemplazo y ocasionarán fallas.

El siguiente procedimiento es efectivo únicamente si el sistema se monitoriza después de reemplazar el compresor para cerciorarse de que la limpieza fue completa.

1. Este procedimiento asume que las pruebas del circuito del motor del compresor mencionado anteriormente hayan revelado un embobinado en cortocircuito o abierto.
2. Retire y deseche adecuadamente la carga del sistema. NO ventile el refrigerante ni permita que haga contacto con sus ojos o la piel.
3. Retire el compresor quemado. Utilice guantes de goma si existe posibilidad de contacto con el aceite o los sedimentos.
4. Para facilitar las etapas subsiguientes, determine el tipo de falla que ocurrió. Si la tubería de descarga no muestra evidencia de sedimentos y la tubería de succión también está limpia o tal vez tenga algunos depósitos ligeros de carbono, la falla ocurrió mientras el compresor no estaba girando. Por lo tanto, los contaminantes están confinados fundamentalmente en la carcasa del compresor. Una sola instalación de filtros/secadores en la tubería de líquido y succión probablemente limpiará el sistema.

Si los sedimentos son evidentes en la tubería de descarga, probablemente se encontrarán en la línea de succión. Esto indica que el compresor se quemó mientras estaba funcionando. Los sedimentos y el ácido han sido bombeados por todo el sistema. Probablemente serán necesarios varios cambios del líquido y del filtro de succión/secadores para limpiar el sistema.

5. Corrija la falla del sistema que ocasionó que se quemara el compresor. Consulte con la fábrica para que le oriente.
6. Instale el compresor de reemplazo con un nuevo condensador y un filtro de líquido extragrande en la tubería.

Para un sobrecalentamiento en funcionamiento, instale una tubería extragrande de succión en el filtro/secador entre el acumulador y el compresor. Descargue completamente el acumulador con el refrigerante para retirar todos los sedimentos atrapados y evitar que el orificio del aceite se obstruya. Un sobrecalentamiento estacionario no requiere de una tubería de filtro/secador.

7. Evacue el sistema con una buena bomba de aspiración y un medidor de vacío preciso. Deje la bomba en el sistema durante al menos una hora.
8. Haga funcionar el sistema por un corto período de tiempo, monitorizando la presión de succión para determinar que el filtro de succión no se esté obstruyendo. Reemplace el filtro de succión/secador si ocurre caída de la presión. Si ha ocurrido un sobrecalentamiento severo, puede que sea necesario reemplazar varios filtros/secadores para retirar todo el ácido y la humedad.

NOTA: NUNCA utilice el compresor para evacuar el sistema o parte de él.

Reemplazo del compresor, que no se haya sobrecalentado

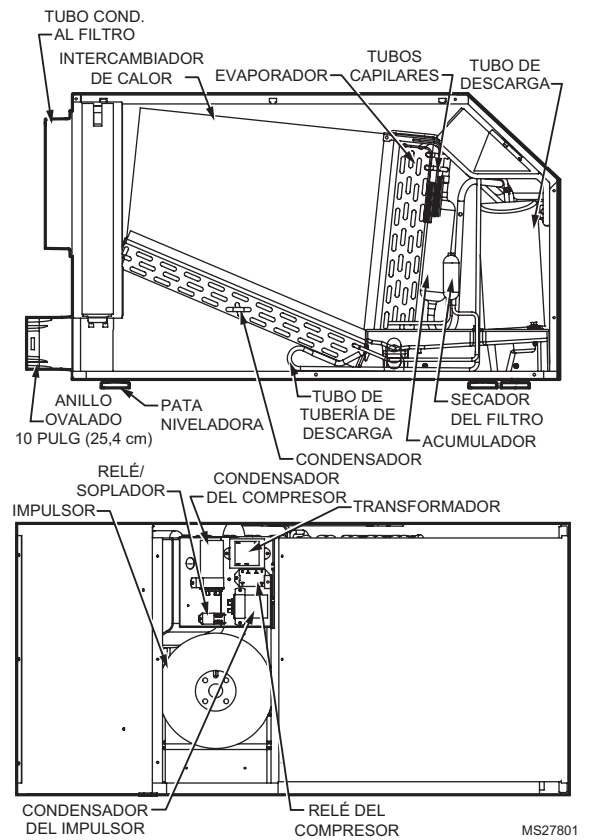
Retire el refrigerante del sistema. Reemplace el compresor y el filtro/secador de la tubería de líquido. Cargue el sistema a 50 PSIG y revise si hay fugas. Retire la carga y pese la cantidad de refrigerante que se indica en la placa de identificación. Haga funcionar el sistema para verificar el rendimiento.

Termostato de descongelación

El termostato de descongelación se fija al tubo de succión del refrigerante entre el acumulador y el compresor. Automáticamente apagará el compresor si la temperatura del refrigerante del lado bajo desciende debido a excesiva formación de escarcha en el serpentín del evaporador. El ventilador del impulsor continuará funcionando, ocasionando que el aire fluya a través del serpentín del evaporador y derretirá el hielo. Cuando el hielo se haya derretido, la temperatura del evaporador se elevará y el termostato arrancará nuevamente el compresor.

Lista de piezas

Descripción	Número de pieza
Intercambiador de calor	50035445-001
Evaporador	50035445-002
Tubos capilares 0,050 X 0,124 pulgadas X 59,00 pulgadas (0,13 cm x 0,3 cm x 1,5 m)	50035445-003
Compresor—Toshiba 8.1	50035445-004
Acumulador	50035445-005
Filtro/secador	50035445-006
Tubo-Cond. al filtro	50035445-007
Tubo—Tubería de descarga	50035445-008
Condensador	50035445-009
Impulsor	50035445-010
Relé/Soplador	50035445-011
Condensador 45mFd—Compresor	50035445-012
Transformador	50035445-013
Relé/Compresor	50035445-014
Condensador 15mFd—Impulsor	50035445-015
Anillo—10 pulgadas (25,4 cm)	50035445-016
Anillo—Ovalado 10 pulgadas x 4 pulgadas (25,4 cm x 10,2 cm)	50035445-017
Anillo 6 pulgadas (15,2 cm) con regulador de aire	50035445-018
Pata niveladora	50035445-019
Filtro MERV II	50035445-020



Garantía limitada de 5 años

Honeywell garantiza que este producto no tiene defectos en la mano de obra ni en los materiales en condiciones de uso y servicio normales durante un período de cinco (5) años desde la fecha de compra del consumidor. Si en cualquier momento durante el período de garantía se determina que el producto presenta defectos o mal funcionamiento, Honeywell reparará o reemplazará el producto (a elección de Honeywell).

Si el producto presenta defectos,

- (i) devuélvalo, con la factura de venta o cualquier otro comprobante de compra, al lugar donde lo compró o
- (ii) llame al Servicio al cliente de Honeywell al 1-800-468-1502. El Servicio al cliente decidirá si el producto debe ser devuelto a la siguiente dirección: Honeywell Return Goods, Dock 4 MN10-3860, 1885 Douglas Dr. N., Golden Valley, MN 55422, o si se le puede enviar un producto de reemplazo.

Esta garantía no cubre los gastos de extracción ni de reinstalación. Esta garantía no se aplicará si Honeywell demuestra que el defecto o el mal funcionamiento fueron causados por daños que se produjeron mientras el producto estaba en posesión de un consumidor.

La única responsabilidad de Honeywell será la de reparar o reemplazar el producto dentro de los términos mencionados anteriormente. HONEYWELL NO SERÁ RESPONSABLE DE LA PÉRDIDA NI DAÑO DE NINGÚN TIPO, INCLUYENDO CUALQUIER DAÑO INCIDENTAL O CONSECUENTE QUE RESULTE, DIRECTA O INDIRECTAMENTE, DE CUALQUIER INCUMPLIMIENTO DE CUALQUIER GARANTÍA, EXPRESA O IMPLÍCITA, O DE CUALQUIER OTRA FALLA DE ESTE PRODUCTO. Algunos estados no permiten la exclusión o limitación de los daños incidentales o consecuentes por lo que esta limitación podría no aplicarse en su caso.

ESTA GARANTÍA ES LA ÚNICA GARANTÍA EXPRESA QUE HONEYWELL REALIZA SOBRE ESTE PRODUCTO. LA DURACIÓN DE CUALQUIERA DE LAS GARANTÍAS IMPLÍCITAS, INCLUYENDO LAS GARANTÍAS DE COMERCIALIZACIÓN O DE APTITUD CON UN FIN DETERMINADO, ESTÁN LIMITADAS A LOS CINCO AÑOS DE DURACIÓN DE ESTA GARANTÍA. Algunos estados no permiten limitaciones en relación a la duración de una garantía implícita, de manera tal que la limitación anterior puede no aplicarse en su caso.

Esta garantía le otorga derechos legales específicos y es posible que usted goce de otros derechos que varían de estado en estado.

Si tiene preguntas sobre esta garantía, escriba a Honeywell Customer Relations, 1985 Douglas Dr, Golden Valley, MN 55422 o llame al 1-800-468-1502. En Canadá, escriba a Retail Products ON15-02H, Honeywell Limited/ Honeywell Limitée, 35 Dynamic Drive, Toronto, Ontario M1V4Z9.

Soluciones de control y automatización

Honeywell International Inc.	Honeywell Limited-Honeywell Limitée
1985 Douglas Drive North	35 Dynamic Drive
Golden Valley, MN 55422	Toronto, Ontario M1V 4Z9
http://yourhome.honeywell.com	



Honeywell

Free Manuals Download Website

<http://myh66.com>

<http://usermanuals.us>

<http://www.somanuals.com>

<http://www.4manuals.cc>

<http://www.manual-lib.com>

<http://www.404manual.com>

<http://www.luxmanual.com>

<http://aubethermostatmanual.com>

Golf course search by state

<http://golfingnear.com>

Email search by domain

<http://emailbydomain.com>

Auto manuals search

<http://auto.somanuals.com>

TV manuals search

<http://tv.somanuals.com>