



# Maintenance and Service Guide

HP Pavilion dv1000 Notebook PC  
HP Compaq nx4800 Notebook PC  
Compaq Presario V2000 Notebook PC

Document Part Number: 372373-003

July 2005



The information and procedures included in this *Maintenance and Service Guide* apply to all HP Pavilion dv1000 Notebook PCs and HP Compaq nx4800 Business Notebooks and all Compaq Presario V2000 Notebook PCs equipped with Intel processors.

---

This guide is a troubleshooting reference used for maintaining and servicing the computer. It provides comprehensive information on identifying computer features, components, and spare parts; troubleshooting computer problems; and performing computer disassembly procedures.

© Copyright 2004, 2005 Hewlett-Packard Development Company, L.P.

Microsoft and Windows are U.S. registered trademarks of Microsoft Corporation. Intel, Pentium, and Celeron are trademarks or registered trademarks of Intel Corporation or its subsidiaries in the United States and other countries. Bluetooth is a trademark of its proprietor and used by Hewlett-Packard Company under license.

The information contained herein is subject to change without notice. The only warranties for HP products and services are set forth in the express warranty statements accompanying such products and services. Nothing herein should be construed as constituting an additional warranty. HP shall not be liable for technical or editorial errors or omissions contained herein.

Maintenance and Service Guide  
HP Pavilion dv1000 Notebook PC  
HP Compaq nx4800 Notebook PC  
Compaq Presario V2000 Notebook PC  
Third Edition July 2005  
Second Edition December 2004  
First Edition September 2004  
Document Part Number: 372373-003

---

# Contents

## **1 Product Description**

- 1.1 Features . . . . . 1–2
- 1.2 Resetting the Computer. . . . . 1–4
- 1.3 Power Management. . . . . 1–5
- 1.4 External Components . . . . . 1–6
- 1.5 Design Overview. . . . . 1–36

## **2 Troubleshooting**

- 2.1 Computer Setup. . . . . 2–1
- 2.2 Troubleshooting Flowcharts . . . . . 2–5

## **3 Illustrated Parts Catalog**

- 3.1 Serial Number Location . . . . . 3–1
- 3.2 Computer Major Components. . . . . 3–2
- 3.3 Miscellaneous Plastics Kit . . . . . 3–20
- 3.4 Mass Storage Devices . . . . . 3–22
- 3.5 Miscellaneous . . . . . 3–25
- 3.6 Sequential Part Number Listing . . . . . 3–27

## **4 Removal and Replacement Preliminaries**

- 4.1 Tools Required . . . . . 4–1
- 4.2 Service Considerations . . . . . 4–1
- 4.3 Preventing Damage to Removable Drives . . . . . 4–2
- 4.4 Preventing Electrostatic Damage . . . . . 4–3
- 4.5 Packaging and Transporting Precautions . . . . . 4–4

4.6 Workstation Precautions . . . . . 4-5  
4.7 Grounding Equipment and Methods . . . . . 4-6

## **5 Removal and Replacement Procedures**

5.1 Serial Number . . . . . 5-2  
5.2 Disassembly Sequence Chart . . . . . 5-3  
5.3 Preparing the Computer for Disassembly . . . . . 5-4  
5.4 Hard Drive. . . . . 5-6  
5.5 Computer Feet. . . . . 5-10  
5.6 Memory Module . . . . . 5-10  
5.7 Mini PCI Communications Card. . . . . 5-13  
5.8 Optical Drive. . . . . 5-16  
5.9 Switch Cover. . . . . 5-18  
5.10 Keyboard. . . . . 5-24  
5.11 Display Assembly . . . . . 5-30  
5.12 Base Enclosure . . . . . 5-35  
5.13 USB/S-Video Controller Board . . . . . 5-40  
5.14 Speaker Assembly. . . . . 5-42  
5.15 RTC Battery . . . . . 5-44  
5.16 Menu Control Button Board . . . . . 5-45  
5.17 Heat Sink. . . . . 5-48  
5.18 Fan. . . . . 5-50  
5.19 Processor . . . . . 5-52  
5.20 System Board . . . . . 5-54  
5.21 LED Board . . . . . 5-62

## **6 Specifications**

### **A Connector Pin Assignments**

### **B Power Cord Set Requirements**

### **C Screw Listing**

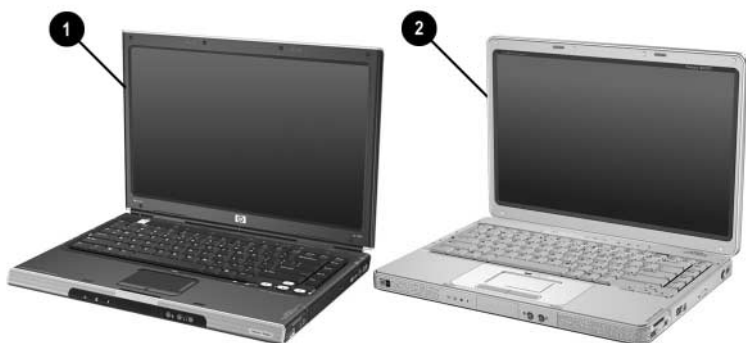
### **Index**

# 1

---

## Product Description

The HP Pavilion dv1000 Notebook PC ❶ and the HP Compaq nx4800 Notebook PC and the Compaq Presario V2000 Notebook PC (both represented by ❷) offer advanced modularity, Intel® Pentium® M and Celeron® M processors, and extensive multimedia support.



*HP Pavilion dv1000, HP Compaq nx4800, and Compaq Presario V2000*

## 1.1 Features

- The following processors are available, varying by computer model:
  - ❑ Intel Pentium M 745 (1.8-GHz) with 400-MHz front side bus (FSB)
  - ❑ Intel Pentium M 735 (1.7-GHz) with 400-MHz FSB
  - ❑ Intel Pentium M 725 (1.6-GHz) with 400-MHz FSB
  - ❑ Intel Pentium M 710 TJ85 (1.4-GHz) with 400-MHz FSB; operates at a lower temperature than other processors
  - ❑ Intel Celeron M 340 (1.5-GHz) with 400-MHz FSB
  - ❑ Intel Celeron M 330 (1.4-GHz) with 400-MHz FSB
- 14.0-inch WXGA (1280 × 768) TFT display with over 16.7 million colors, varying by computer model
- 80-, 60-, or 40-GB high-capacity hard drive, varying by computer model
- 256-MB DDR synchronous DRAM (SDRAM) at 266 MHz, expandable to 2.0 GB on models with Intel Pentium M processors and 1.0 GB on models with Intel Celeron M processors
- Microsoft® Windows® XP Home Edition or Windows XP Professional, or Free DOS, varying by computer model
- Full-size Windows keyboard with embedded numeric keypad
- TouchPad pointing device with on button and dedicated two-way scroll region
- Integrated 10/100 BASE-T Ethernet local area network (LAN) network interface card (NIC) with RJ-45 jack
- Integrated high-speed 56K modem with RJ-11 jack
- Integrated wireless support for Mini PCI IEEE 802.11b and 802.11b/g WLAN device

- Support for one Type II PC Card slots, with support for both 32-bit (CardBus) and 16-bit PC Cards
- External 65-watt AC adapter with 3-wire power cord
- 6-cell or 12-cell Li-Ion battery pack
- Stereo speakers with volume up and down buttons
- Support for the following optical drives:
  - ❑ 8X Max DVD+RW/R and CD-RW Combo Drive
  - ❑ 4X Max DVD+RW/R and CD-RW Combo Drive
  - ❑ 8X Max DVD-ROM Drive
  - ❑ 24X Max DVD/CD-RW Combo Drive
- Connectors:
  - ❑ External monitor
  - ❑ Universal Serial Bus (USB) v. 2.0
  - ❑ RJ-11 (modem)
  - ❑ RJ-45 (network)
  - ❑ Audio-out (headphone)
  - ❑ Audio-in (microphone)
  - ❑ Power
  - ❑ IEEE 1394 digital (select models only)
  - ❑ S-Video-out (select models only)
  - ❑ Infrared (HP Pavilion models only)
  - ❑ Parallel
  - ❑ Serial
  - ❑ Docking (select models only)
  - ❑ Digital memory card reader (select models only)

## 1.2 Resetting the Computer

If the computer you are servicing has an unknown password, follow these steps to clear the password. These steps also clear CMOS:

1. Prepare the computer for disassembly (refer to [Section 5.3, “Preparing the Computer for Disassembly,”](#) for more information).
2. Remove the real-time clock (RTC) battery (refer to [Section 5.15, “RTC Battery,”](#) for more information).
3. Wait approximately 5 minutes.
4. Replace the RTC battery and reassemble the computer.
5. Connect AC power to the computer. Do not reinsert any battery packs at this time.
6. Turn on the computer.

All passwords and all CMOS settings have been cleared.



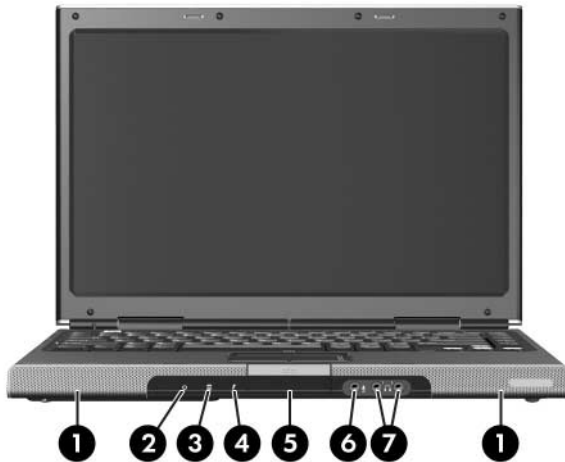
## 1.3 Power Management

The computer comes with power management features that extend battery operating time and conserve power. The computer supports the following power management features:

- Standby
- Hibernation
- Setting customization by the user
- Hotkeys for setting the level of performance
- Battery calibration
- Lid switch standby/resume
- Power/standby button
- Advanced Configuration and Power Management (ACPM) compliance

## 1.4 External Components

The external components on the front of the HP Pavilion dv1000 are shown below and described in Table 1-1.



*Front Components, HP Pavilion dv1000*

**Table 1-1**  
**Front Components**  
**HP Pavilion dv1000**

| <b>Item</b> | <b>Component</b>                               | <b>Function</b>  |
|-------------|--|--|
| 1           | Speakers (2)                                   | Produces stereo sound.   |
| 2           | Power/standby light                            | <ul style="list-style-type: none"> <li>■ On: Computer is turned on.</li> <li>■ Blinking: Computer is in standby.</li> <li>■ Off: Computer is off.</li> </ul>   |
| 3           | IDE (Integrated Drive Electronics) drive light | On or blinking: The internal hard drive or an optical drive is being accessed.   |
| 4           | Battery light                                  | <ul style="list-style-type: none"> <li>■ Amber: The battery pack is charging.</li> <li>■ Green: The battery pack is fully charged.</li> <li>■ Off: The battery pack is discharging or not inserted.</li> </ul> |
| 5           | Display release latch                          | Opens the computer.  |
| 6           | Audio-in (microphone) jack                     | Connects an optional monaural (single sound channel) microphone.   |
| 7           | Audio-out (headphone) jack (2)                 | Connect optional headphones or powered stereo speakers. Also connect the audio function of an audio/video device such as a television or VCR.  |

The external components on the front of the HP Compaq nx4800 and Compaq Presario V2000 are shown below and described in Table 1-2.



*Front Components, HP Compaq nx4800 and Compaq Presario V2000*

**Table 1-2**  
**Front Components**  
**HP Compaq nx4800 and Compaq Presario V2000**

| <b>Item</b> | <b>Component</b>  | <b>Function</b>  |
|-------------|---|--|
| 1           | Speakers (2)  | Produces stereo sound.   |
| 2           | Wireless button light (select models only)                  | On: An integrated wireless device is hardware enabled.   |
| 3           | Power/standby light   | <ul style="list-style-type: none"> <li>■ On: Computer is turned on.</li> <li>■ Blinking: Computer is in standby.</li> <li>■ Off: Computer is off.</li> </ul>   |
| 4           | IDE (Integrated Drive Electronics) drive light              | ■ On or blinking: The internal hard drive or an optical drive is being accessed.   |
| 5           | Battery light   | <ul style="list-style-type: none"> <li>■ Amber: The battery pack is charging.</li> <li>■ Green: The battery pack is fully charged.</li> <li>■ Off: The battery pack is discharging or not inserted.</li> </ul> |
| 6           | Display release latch                                       | Opens the computer.  |
| 7           | Audio-in (microphone) jack                                  | Connects an optional monaural (single sound channel) microphone.   |
| 8           | Audio-out (headphone) jack (2 on HP Pavilion dv1000 models) | Connect optional headphones or powered stereo speakers. Also connect the audio function of an audio/video device such as a television or VCR.  |

The external components on the right side of the HP Pavilion dv1000 are shown below and described in Table 1-3.



*Right-Side Components, HP Pavilion dv1000*

**Table 1-3**  
**Right-Side Components**  
**HP Pavilion dv1000**

| <b>Item</b> | <b>Component</b>  | <b>Function</b>  |
|-------------|---|--|
| 1           | USB connectors (2)  | Connect an optional USB device.  |
| 2           | 6-in-1 Digital Media Reader slot<br>(select models only)  | In Windows, supports digital memory cards.   |
| 3           | 1394 port<br>(select models only)                         | Connects an optional 1394a device such as a scanner, digital camera, or digital camcorder.                   |
| 4           | 6-in-1 Digital Media Reader light<br>(select models only) | On: A digital memory card is being accessed.   |
| 5           | Optical drive   | Supports an optical disc.  |
| 6           | S-Video-out jack<br>(select models only)                  | Connects an optional S-Video device, such as a television, VCR, camcorder, projector, or video capture card. |

The external components on the right side of the HP Compaq nx4800 and Compaq Presario V2000 are shown below and described in Table 1-4.



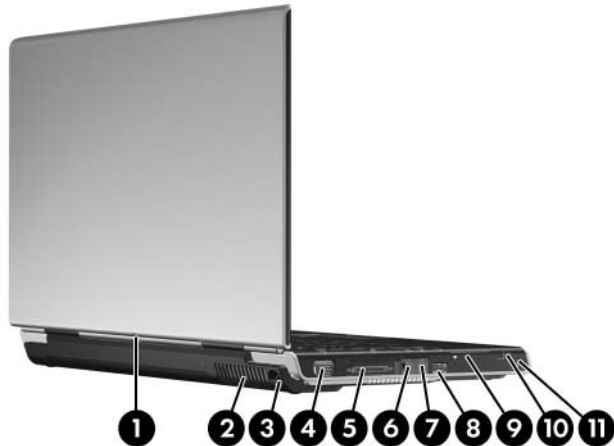
*Right-Side Components, HP Compaq nx4800 and Compaq Presario V2000*



**Table 1-4**  
**Right-Side Components**  
**HP Compaq nx4800 and Compaq Presario V2000**

| <b>Item</b> | <b>Component</b>  | <b>Function</b>  |
|-------------|---|--|
| 1           | USB connectors (2)  | Connect an optional USB device.  |
| 2           | 6-in-1 Memory Reader slot (Compaq Presario models only)<br>6-in-1 Digital Media Reader slot (HP Compaq models only)   | In Windows, supports digital memory cards.   |
| 3           | 1394 port (select models only)  | Connects an optional 1394 device such as a scanner, digital camera, or digital camcorder.                    |
| 4           | 6-in-1 Memory Reader light (Compaq Presario models only)<br>6-in-1 Digital Media Reader light (HP Compaq models only) | On: A digital memory card is being accessed.   |
| 5           | Optical drive   | Supports an optical disc.  |
| 6           | S-Video-out jack (select models only)   | Connects an optional S-Video device, such as a television, VCR, camcorder, projector, or video capture card. |

The external components on the rear and left side of the HP Pavilion dv1000 are shown below and described in Table 1-5.



*Rear and Left-Side Components, HP Pavilion dv1000*

---



**Table 1-5**  
**Rear and Left-Side Components**  
**HP Pavilion dv1000**

---

| <b>Item</b> | <b>Component</b>                       | <b>Function</b>  |
|-------------|--|--|
| 1           | Wireless light<br>(select models only) | On: An integrated wireless device is hardware enabled. |

---

**Table 1-5**  
**Rear and Left-Side Components**  
**HP Pavilion dv1000 (Continued)**



| <b>Item</b> | <b>Component</b>      | <b>Function</b>   |
|-------------|-----------------------|---|
| 2           | Exhaust vent          | Provides airflow to cool internal components.<br><br> To prevent overheating, do not obstruct vents. Do not allow a hard surface, such as a printer, or a soft surface, such as pillows, thick rugs or clothing, to block airflow. |
| 3           | Power connector       | Connects an AC adapter cable.   |
| 4           | External monitor port | Connects an optional VGA external monitor or projector.   |
| 5           | Expansion port 2      | Connects the computer to an optional expansion base.<br><br> The computer has only one expansion port. The term expansion port 2 describes the type of expansion port.   |
| 6           | RJ-45 (network) jack  | Connects an optional network cable.   |
| 7           | RJ-11 (modem) jack    | Connects the modem cable.   |
| 8           | USB connector         | Connects an optional USB device.  |
| 9           | PC Card slot          | Supports an optional Type I or Type II 32-bit (CardBus) or 16-bit PC Card. Also serves as a storage location for the optional HP Mobile Remote Control.   |
| 10          | PC Card eject button  | Ejects an optional PC Card from the PC Card slot.   |
| 11          | Security cable slot   | Attaches an optional security cable to the computer.  |

The external components on the rear and left side of the HP Compaq nx4800 and Compaq Presario V2000 are shown below and described in Table 1-6.

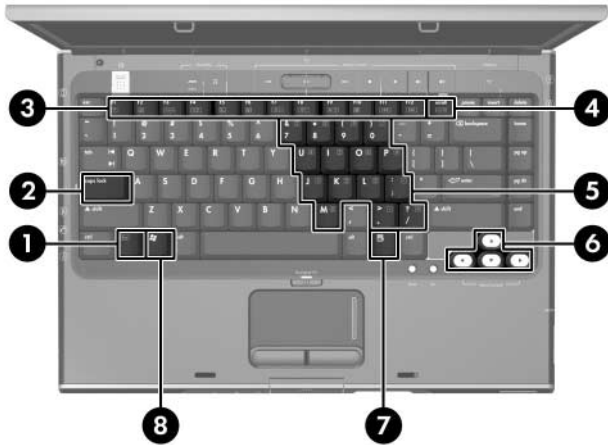


*Rear and Left-Side Components, HP Compaq nx4800 and Compaq Presario V2000*

**Table 1-6**  
**Rear and Left-Side Components**  
**HP Compaq nx4800 and Compaq Presario V2000**

| Item | Component             | Function   |
|------|-----------------------|--|
| 1    | Exhaust vent          | Provide airflow to cool internal components.<br><br> To prevent overheating, do not obstruct vents. Do not allow a hard surface, such as a printer, or a soft surface, such as pillows, thick rugs or clothing, to block airflow. |
| 2    | Power connector       | Connects an AC adapter cable.  |
| 3    | External monitor port | Connects an optional VGA external monitor or projector.  |
| 4    | Expansion port 2      | Connects the computer to an optional expansion base.<br><br> The computer has only one expansion port. The term expansion port 2 describes the type of expansion port.  |
| 5    | RJ-45 (network) jack  | Connects an optional network cable.  |
| 6    | RJ-11 (modem) jack    | Connects the modem cable.  |
| 7    | USB connector         | Connects an optional USB device.   |
| 8    | PC Card slot          | Supports an optional Type I or Type II 32-bit (CardBus) or 16-bit PC Card.   |
| 9    | PC Card eject button  | Ejects an optional PC Card from the PC Card slot.  |
| 10   | Security cable slot   | Attaches an optional security cable to the computer.   |

The keyboard components on the HP Pavilion dv1000 are shown below and described in Table 1-7.

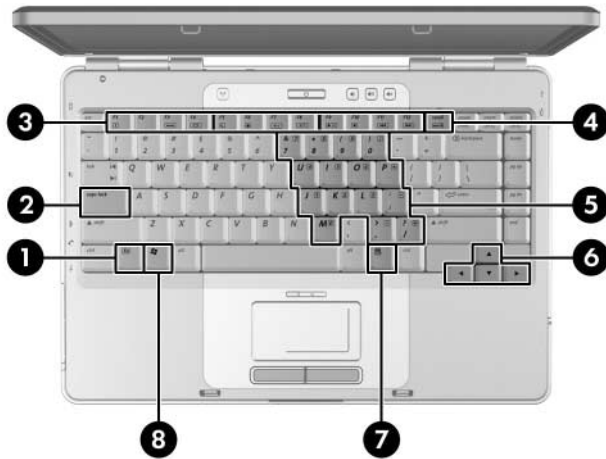


*Keyboard Components, HP Pavilion dv1000*

**Table 1-7**  
**Keyboard Components**  
**HP Pavilion dv1000**

| <b>Item</b> | <b>Component</b>                  | <b>Function</b>   |
|-------------|-----------------------------------|---|
| 1           | <b>fn</b> key                     | Combines with other keys to perform system tasks. For example, pressing <b>fn+f7</b> decreases screen brightness.                         |
| 2           | <b>caps lock</b> key              | Enables caps lock and turns on the caps lock light.   |
| 3           | <b>f1</b> to <b>f12</b> keys (12) | Perform system and application tasks. When combined with the <b>fn</b> key, several keys and buttons perform additional tasks as hotkeys. |
| 4           | <b>num lock</b> key               | Enables numeric lock, turns on the embedded numeric keypad, and turns on the num lock light.  |
| 5           | Keypad keys (15)                  | In Windows, can be used like the keys on an external numeric keypad.  |
| 6           | Arrow keys                        | Move the cursor around the screen.  |
| 7           | Windows applications key          | In Windows, displays a shortcut menu for items beneath the pointer.   |
| 8           | Windows logo key                  | In Windows, displays the Windows Start menu.  |

The keyboard components on the HP Compaq nx4800 and Compaq Presario V2000 are shown below and described in Table 1-8.



*Keyboard Components, HP Compaq nx4800 and Compaq Presario V2000*



**Table 1-8**  
**Keyboard Components**  
**HP Compaq nx4800 and Compaq Presario V2000**

| <b>Item</b> | <b>Component</b>                  | <b>Function</b>   |
|-------------|-----------------------------------|---|
| 1           | <b>fn</b> key                     | Combines with other keys to perform system tasks. For example, pressing <b>fn+f7</b> decreases screen brightness.                         |
| 2           | <b>caps lock</b> key              | Enables caps lock and turns on the caps lock light.   |
| 3           | <b>f1</b> to <b>f12</b> keys (12) | Perform system and application tasks. When combined with the <b>fn</b> key, several keys and buttons perform additional tasks as hotkeys. |
| 4           | <b>num lock</b> key               | Enables numeric lock, turns on the embedded numeric keypad, and turns on the num lock light.  |
| 5           | Keypad keys (15)                  | In Windows, can be used like the keys on an external numeric keypad.  |
| 6           | Arrow keys                        | Move the cursor around the screen.  |
| 7           | Windows applications key          | In Windows, displays a shortcut menu for items beneath the pointer.   |
| 8           | Windows logo key                  | In Windows, displays the Windows Start menu.  |

The top components on the HP Pavilion dv1000 are shown below and described in Table 1-9.



*Top Components, Part 1, HP Pavilion dv1000*

---

**Table 1-9**  
**Top Components, Part 1**  
**HP Pavilion dv1000**

| <b>Item</b> | <b>Component</b> | <b>Function</b>  |
|-------------|------------------|--|
| 1           | Display switch   | If the computer is closed while on, turns off the display.   |
| 2           | Power button     | When the computer is <ul style="list-style-type: none"><li>■ Off, press to turn on the computer.</li><li>■ On, briefly press to initiate Hibernation.</li><li>■ In Standby, briefly press to resume from Standby.</li><li>■ In Hibernation, briefly press to restore from Hibernation.</li></ul> |

---

**Table 1-9**  
**Top Components, Part 1**  
**HP Pavilion dv1000 (Continued)**

| Item | Component              | Function  |
|------|------------------------|---|
| 3    | DVD button             | <p>When the computer is</p> <ul style="list-style-type: none"> <li>■ Off, opens QuickPlay DVD mode.</li> <li>■ On in Windows, opens the default Windows DVD application.</li> <li>■ On in QuickPlay music mode, opens QuickPlay DVD mode.</li> <li>■ On in QuickPlay DVD mode, displays the DVD setup menu.</li> <li>■ In Standby, resumes from Standby into Windows.</li> <li>■ In Hibernation, opens QuickPlay DVD mode.</li> </ul> |
| 4    | Music button           | <p>When the computer is</p> <ul style="list-style-type: none"> <li>■ Off, opens QuickPlay music mode.</li> <li>■ On in Windows, opens the default Windows music application.</li> <li>■ On in QuickPlay DVD mode, opens QuickPlay music mode.</li> <li>■ In Standby, resumes from Standby into Windows.</li> <li>■ In Hibernation, opens QuickPlay music mode.</li> </ul>   |
| 5    | Previous/Rewind Button | <p>When a disc is in the optical drive:</p> <ul style="list-style-type: none"> <li>■ Press to play the previous track or chapter.</li> <li>■ Press <b>fn+this button</b> to rewind.</li> </ul>  |
| 6    | Play/Pause button      | <p>When a disc is in the optical drive and is:</p> <ul style="list-style-type: none"> <li>■ Not playing, press to play the disc.</li> <li>■ Playing, press to pause the disc.</li> </ul>  |

The computertop components on the HP Pavilion dv1000 computer are shown below and described in Table 1-10.



*Top Components, Part 2, HP Pavilion dv1000*

**Table 1-10**  
**Top Components, Part 2**  
**HP Pavilion dv1000**

| <b>Item</b> | <b>Component</b>                 | <b>Function</b>  |
|-------------|----------------------------------|--|
| 1           | Next/Fast Forward button         | When a disc is in the optical drive:<br>■ Press once to play the next track or chapter.<br>■ Press <b>fn+</b> this button to fast forward. |
| 2           | Stop button                      | When a disc is in the optical drive, press to stop the current disc activity.  |
| 3           | Volume down button               | Decreases system volume.   |
| 4           | Volume mute button<br>Mute light | Mutes or restores volume.<br>On: Volume is muted.  |
| 5           | Volume up button                 | Increases system volume.   |
| 6           | Wireless button                  | Enables/disables an internal wireless device.  |

The top components on the HP Pavilion dv1000 are shown below and described in Table 1-11.



*Top Components, Part 3, HP Pavilion dv1000*

**Table 1-11**  
**Top Components, Part 3**  
**HP Pavilion dv1000**

| <b>Item</b> | <b>Component</b>                | <b>Function</b>   |
|-------------|---------------------------------|---|
| 1           | TouchPad                        | Moves the pointer.  |
| 2           | TouchPad light                  | On: TouchPad is enabled.  |
| 3           | Caps lock light                 | On: Caps lock is on.  |
| 4           | Power/ button light             | <ul style="list-style-type: none"> <li>■ On: Computer is turned on.</li> <li>■ Blinking: Computer is in standby.</li> <li>■ Off: Computer is off.</li> </ul>  |
| 5           | Wireless light                  | On: an integrated wireless device is hardware enabled.  |
| 6           | Num lock light                  | On: Num lock or the internal keypad is on.  |
| 7           | Back button                     | <ul style="list-style-type: none"> <li>■ In Windows, emulates the “back” function of the alt+left arrow command in the active application.</li> <li>■ In QuickPlay, moves up one directory level in an on-screen menu.</li> </ul> |
| 8           | OK button                       | Selects an item you have chosen on the screen.  |
| 9           | TouchPad on/off button          | Enables/disables the TouchPad.  |
| 10          | TouchPad vertical scroll region | Scrolls upward or downward.   |
| 11          | Left and right TouchPad buttons | Function like the left and right buttons on an external mouse.  |

The top components on the HP Compaq nx4800 and Compaq Presario V2000 are shown below and described in Table 1-12.



*Top Components, Part 1, HP Compaq nx4800 and Compaq Presario V2000*

---

**Table 1-12**

**Top Components, Part 1**

**HP Compaq nx4800 and Compaq Presario V2000**

| <b>Item</b> | <b>Component</b> | <b>Function</b>  |
|-------------|------------------|--|
| 1           | Caps lock light  | On: Caps lock is on.                                       |
| 2           | Display switch   | If the computer is closed while on, turns off the display. |

---



Table 1-12

## Top Components, Part 1

## HP Compaq nx4800 and Compaq Presario V2000 (Continued)

| Item | Component           | Function  |
|------|---------------------|---|
| 3    | Wireless button     | Enables/disables an internal wireless device.   |
|      | Wireless light      | On: an integrated wireless device is hardware enabled.  |
| 4    | Power button        | When the computer is <ul style="list-style-type: none"> <li>■ Off, press to turn on the computer.</li> <li>■ On, briefly press to initiate Hibernation.</li> <li>■ In Standby, briefly press to resume from Standby.</li> <li>■ In Hibernation, briefly press to restore from Hibernation.</li> </ul> |
|      | Power/standby light | <ul style="list-style-type: none"> <li>■ On: Computer is turned on.</li> <li>■ Blinking: Computer is in standby.</li> <li>■ Off: Computer is off.</li> </ul>  |
| 5    | Volume down button  | Decreases system volume.  |
| 6    | Volume mute button  | Mutes or restores volume.   |
|      | Mute light          | On: Volume is muted.  |
| 7    | Volume up button    | Increases system volume.  |
| 8    | Num lock light      | On: Num lock or the internal keypad is on.  |

The top components on the HP Compaq nx4800 and Compaq Presario V2000 are shown below and described in Table 1-13.



*Top Components, Part 2, HP Compaq nx4800 and Compaq Presario V2000*

---

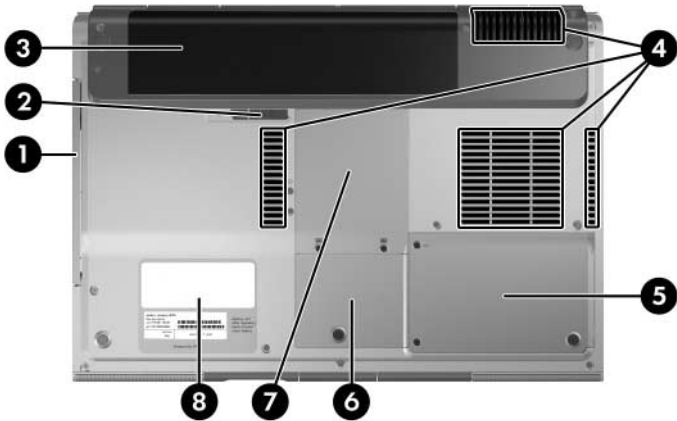
**Table 1-13**  
**Top Components, Part 2**  
**HP Compaq nx4800 and Compaq Presario V2000**

---

| <b>Item</b> | <b>Component</b>                     | <b>Function</b>  |
|-------------|--------------------------------------|--|
| 1           | TouchPad horizontal scrolling region | Scrolls toward left side or right side.                        |
| 2           | TouchPad                             | Moves the pointer.   |
| 3           | TouchPad light                       | On: TouchPad is enabled.                                       |
| 4           | TouchPad on/off button               | Enables/disables the TouchPad.                                 |
| 5           | TouchPad vertical scroll region      | Scrolls upward or downward.                                    |
| 6           | Left and right TouchPad buttons      | Function like the left and right buttons on an external mouse. |

---

The external components on the bottom of the HP Pavilion dv1000 are shown below and described in Table 1-14.





*Bottom Components, HP Pavilion dv1000*

---

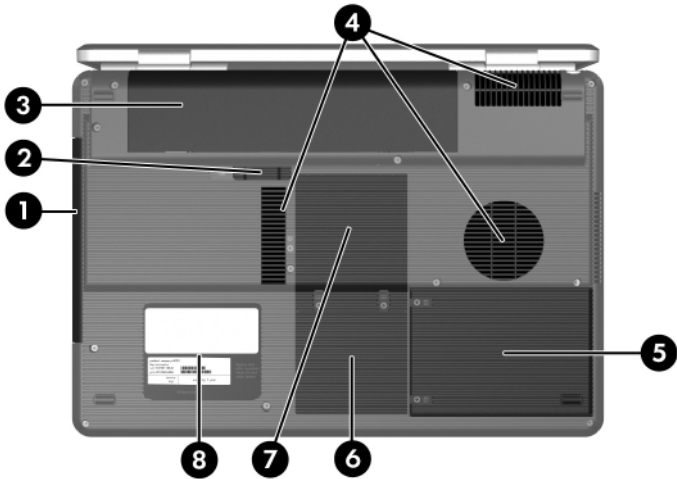
**Table 1-14**  
**Bottom Components**  
**HP Pavilion dv1000**

| Item | Component                  | Function                                      |
|------|----------------------------|---|
| 1    | Optical drive              | Supports an optical disc.                     |
| 2    | Battery pack release latch | Releases a battery pack from the battery bay. |
| 3    | Battery pack               | Holds a battery pack.                         |

**Table 1-14**  
**Bottom Components**  
**HP Pavilion dv1000 (Continued)**

| Item | Component                 | Function  |
|------|---------------------------|---|
| 4    | Exhaust vents (4)         | <p>Provide airflow to cool internal components.</p> <p> To prevent overheating, do not obstruct vents. Do not allow a hard surface, such as a printer, or a soft surface, such as pillows, thick rugs or clothing, to block airflow.</p>   |
| 5    | Hard drive bay            | Holds the internal hard drive.  |
| 6    | Mini PCI compartment      | <p>Holds an optional wireless LAN device.</p> <p> To prevent an unresponsive system and the display of a warning message, install only a Mini PCI device authorized for use in the computer by the governmental agency that regulates wireless devices in your country. If you install a device and then receive a warning message, remove the device to restore computer functionality. Then contact Customer Care.</p> |
| 7    | Memory module compartment | Contains two memory slots that support replaceable memory modules. The number of preinstalled memory modules varies by computer model.  |
| 8    | Label areas (2)           | Contain the computer serial number and other applicable regulatory labels.  |

The external components on the bottom of the HP Compaq nx4800 and Compaq Presario V2000 are shown below and described in Table 1-15.



*Bottom Components, HP Compaq nx4800 and Compaq Presario V2000*

---

**Table 1-15**

**Bottom Components**



**HP Compaq nx4800 and Compaq Presario V2000**

| <b>Item</b> | <b>Component</b>           | <b>Function</b>                               |
|-------------|----------------------------|---|
| 1           | Optical drive              | Supports an optical disc.                     |
| 2           | Battery pack release latch | Releases a battery pack from the battery bay. |
| 3           | Battery pack               | Holds a battery pack.                         |

Table 1-15

## Bottom Components

## HP Compaq nx4800 and Compaq Presario V2000 (Continued)

| Item | Component                 | Function  |
|------|---------------------------|---|
| 4    | Exhaust vents (4)         | <p>Provide airflow to cool internal components.</p> <p> To prevent overheating, do not obstruct vents. Do not allow a hard surface, such as a printer, or a soft surface, such as pillows, thick rugs or clothing, to block airflow.</p>   |
| 5    | Hard drive bay            | Holds the internal hard drive.  |
| 6    | Mini PCI compartment      | <p>Holds an optional wireless LAN device.</p> <p> To prevent an unresponsive system and the display of a warning message, install only a Mini PCI device authorized for use in the computer by the governmental agency that regulates wireless devices in your country. If you install a device and then receive a warning message, remove the device to restore computer functionality. Then contact Customer Care.</p> |
| 7    | Memory module compartment | Contains 2 memory slots that support replaceable memory modules. The number of preinstalled memory modules varies by computer model.  |
| 8    | Label areas (2)           | Contain the computer serial number and other applicable regulatory labels.  |

## 1.5 Design Overview

This section presents a design overview of key parts and features of the computer. Refer to [Chapter 3, “Illustrated Parts Catalog,”](#) to identify replacement parts, and [Chapter 5, “Removal and Replacement Procedures,”](#) for disassembly steps.

The system board provides the following device connections:

- Memory module
- Mini PCI communications devices
- Hard drive
- Display
- Keyboard and TouchPad
- Audio
- Intel Pentium M and Celeron M processors
- Fan
- PC Card



**CAUTION:** To properly ventilate the computer, allow at least a 7.6-cm (3-inch) clearance on the left and right sides of the computer.

---

The computer uses an electric fan for ventilation. The fan is controlled by a temperature sensor and is designed to be turned on automatically when high temperature conditions exist. These conditions are affected by high external temperatures, system power consumption, power management/battery conservation configurations, battery fast charging, and software applications. Exhaust air is displaced through the ventilation grill located on the left side of the computer.



---

# Troubleshooting



**WARNING:** Only authorized technicians trained by HP should repair this equipment. All troubleshooting and repair procedures are detailed to allow only subassembly-/module-level repair. Because of the complexity of the individual boards and subassemblies, do not attempt to make repairs at the component level or modifications to any printed wiring board. Improper repairs can create a safety hazard. Any indication of component replacement or printed wiring board modification may void any warranty or exchange allowances.

---

## 2.1 Computer Setup

Computer Setup is a system information and customization utility that can be used even when your operating system is not working or will not load. This utility includes settings that are not available in Windows.

### Using Computer Setup

Information and settings in Computer Setup are accessed from the Main, Security, Advanced, or Tools menus:

1. Turn on or restart the computer. Press **f10** while the F10 = ROM-Based Setup message is displayed in the lower-left corner of the screen.
  - ❑ To change the language, use the cursor control keys to navigate to the **Advanced** menu.
  - ❑ To view navigation information, press **f1**.
  - ❑ To return to the Computer Setup menu, press **esc**.

2. Select the **Main**, **Security**, **Advanced**, or **Tools** menu.
3. To close Computer Setup and restart the computer:
  - ❑ Select **Exit > Exit Saving Changes**, and then press **enter**.
  - or -
  - ❑ Select **Exit > Exit Discarding Changes**, and then press **enter**.
  - or -
  - ❑ Select **Exit > Load Setup Defaults**, and then press **enter**.
4. When you are prompted to confirm your action, press **f10**.

## Selecting from the Main Menu

---




**Table 2-1**  
**Main Menu**

| Select             | To Do This   |
|--------------------|--|
| System Information | <ul style="list-style-type: none"><li>■ Change the system time and system date.</li><li>■ View identification information about the computer.</li><li>■ View specification information about the processor, memory and cache size, and system ROM.</li></ul> |

---

## Selecting from the Security Menu

**Table 2-2**  
**Security Menu**

| Select   | To Do This   |
|--|--|
| Administrator Password   | Enter, change, or delete a Administrator password.   |
| Power-on Password  | Enter, change, or delete a power-on password.  |
| DriveLock Passwords  | <p>Enable/disable DriveLock; change a DriveLock user or master password.</p> <p> DriveLock Settings are accessible only when you enter Computer Setup by turning on (not restarting) the computer.</p>                            |
| Password Options<br>(Password options can be selected only when a power-on password has been set.) | <p>Enable/disable:</p> <ul style="list-style-type: none"> <li>■ QuickLock</li> <li>■ QuickLock on Standby</li> <li>■ QuickBlank</li> </ul> <p> To enable QuickLock on Standby or QuickBlank, you must first enable QuickLock.</p> |
| Device Security  | <p>Enable/disable:</p> <ul style="list-style-type: none"> <li>■ Diskette drive startup*</li> <li>■ CD-ROM or diskette startup</li> </ul> <p> Settings for a DVD-ROM can be entered in the CD-ROM field.</p>                     |

\*Not applicable to SuperDisk LS-120 drives.

## Selecting from the Advanced Menu

---

**Table 2-3**  
**Advanced Menu**

| <b>Select</b>         | <b>To Do This</b>   |
|-----------------------|---|
| Language              | Change the Computer Setup language.   |
| Boot Order            | Enable/disable MultiBoot, which sets a startup sequence that can include most bootable devices and media in the system. |
| Accessibility Options | Allows electronic and information technology to be accessible to people with varying ranges of abilities.               |
| Video Memory          | Displays the amount of video memory available on the computer.  |

---

## Selecting from the Tools Menu

---

**Table 2-4**  
**Tools Menu**

| <b>Select</b>        | <b>To Do This</b>  |
|----------------------|--|
| Hard Drive Self Test | Run a quick comprehensive self test on hard drives in the system that support the test features. |

---

---

## 2.2 Troubleshooting Flowcharts

---

**Table 2-5**  
**Troubleshooting Flowcharts Overview**

| <b>Flowchart</b> | <b>Description</b>  |
|------------------|---|
| 2.1              | "Flowchart 2.1—Initial Troubleshooting"                       |
| 2.2              | "Flowchart 2.2—No Power, Part 1"                              |
| 2.3              | "Flowchart 2.3—No Power, Part 2"                              |
| 2.4              | "Flowchart 2.4—No Power, Part 3"                              |
| 2.5              | "Flowchart 2.5—No Power, Part 4"                              |
| 2.6              | "Flowchart 2.6—No Video, Part 1"                              |
| 2.7              | "Flowchart 2.7—No Video, Part 2"                              |
| 2.8              | "Flowchart 2.8—Nonfunctioning Docking Device (if applicable)" |
| 2.9              | "Flowchart 2.9—No Operating System (OS) Loading"              |
| 2.10             | "Flowchart 2.10—No OS Loading, Hard Drive, Part 1"            |
| 2.11             | "Flowchart 2.11—No OS Loading, Hard Drive, Part 2"            |
| 2.12             | "Flowchart 2.12—No OS Loading, Hard Drive, Part 3"            |
| 2.13             | "Flowchart 2.13—No OS Loading, Diskette Drive"                |

---

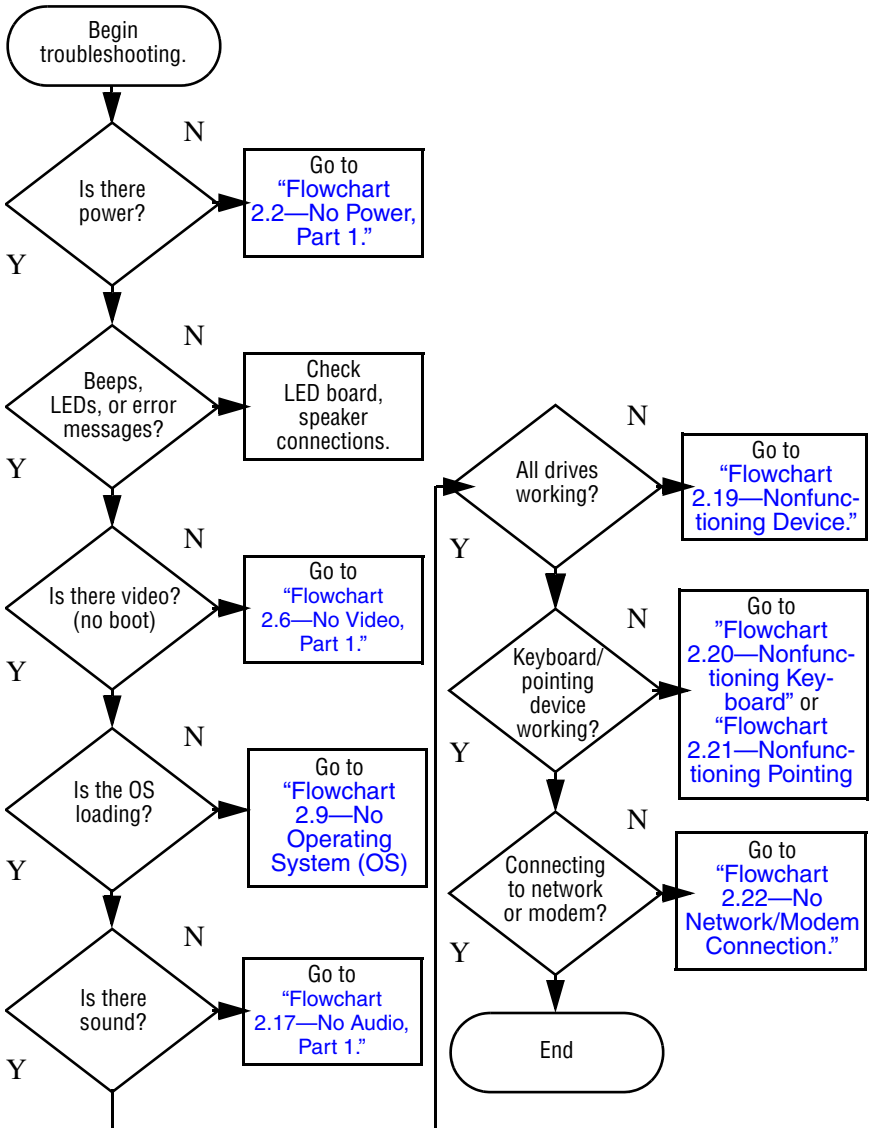
---

**Table 2-5**  
**Troubleshooting Flowcharts Overview (*Continued*)**

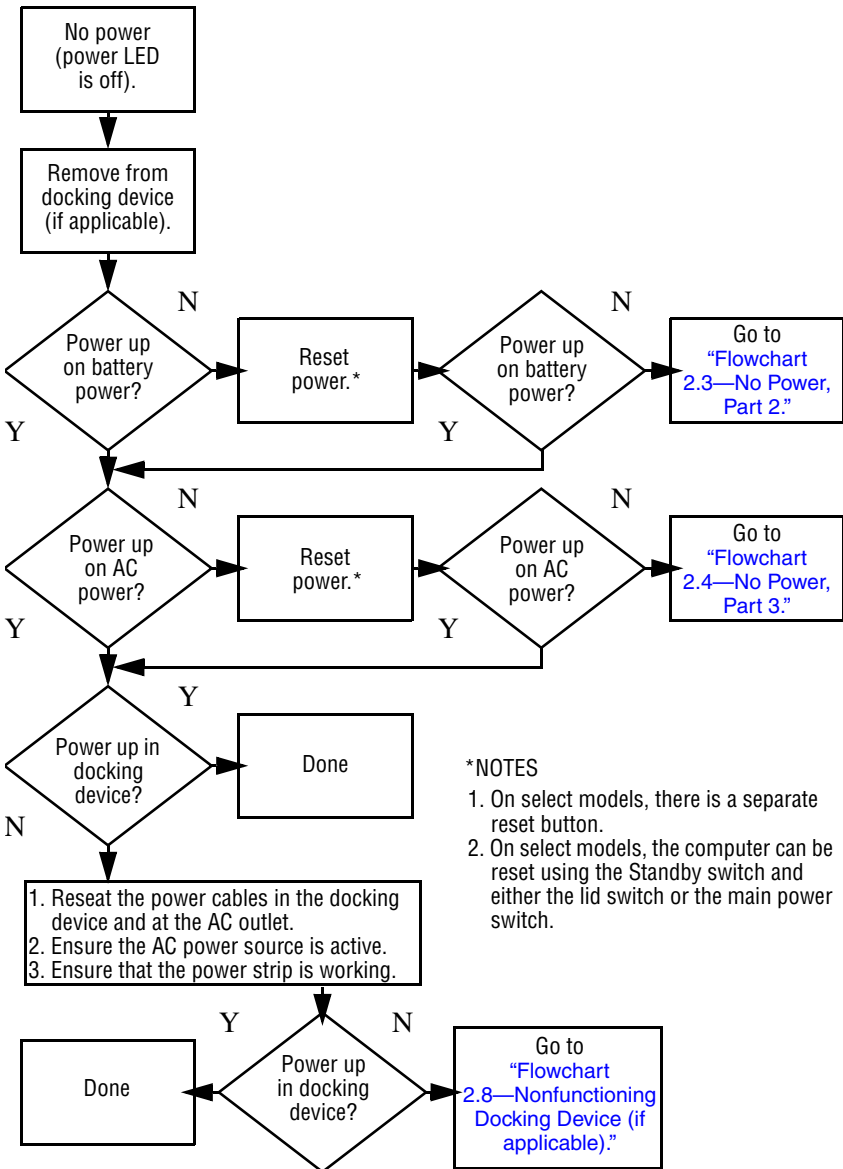
| <b>Flowchart</b> | <b>Description</b>   |
|------------------|--|
| 2.14             | "Flowchart 2.14—No OS Loading, CD-ROM or DVD-ROM Drive"          |
| 2.15             | "Flowchart 2.15—No OS Loading for QuickPlay Application, Part 1" |
| 2.16             | "Flowchart 2.16—No OS Loading for QuickPlay Application, Part 2" |
| 2.17             | "Flowchart 2.17—No Audio, Part 1"                                |
| 2.18             | "Flowchart 2.18—No Audio, Part 2"                                |
| 2.19             | "Flowchart 2.19—Nonfunctioning Device"                           |
| 2.20             | "Flowchart 2.20—Nonfunctioning Keyboard"                         |
| 2.21             | "Flowchart 2.21—Nonfunctioning Pointing Device"                  |
| 2.22             | "Flowchart 2.22—No Network/Modem Connection"                     |

---

## Flowchart 2.1 – Initial Troubleshooting

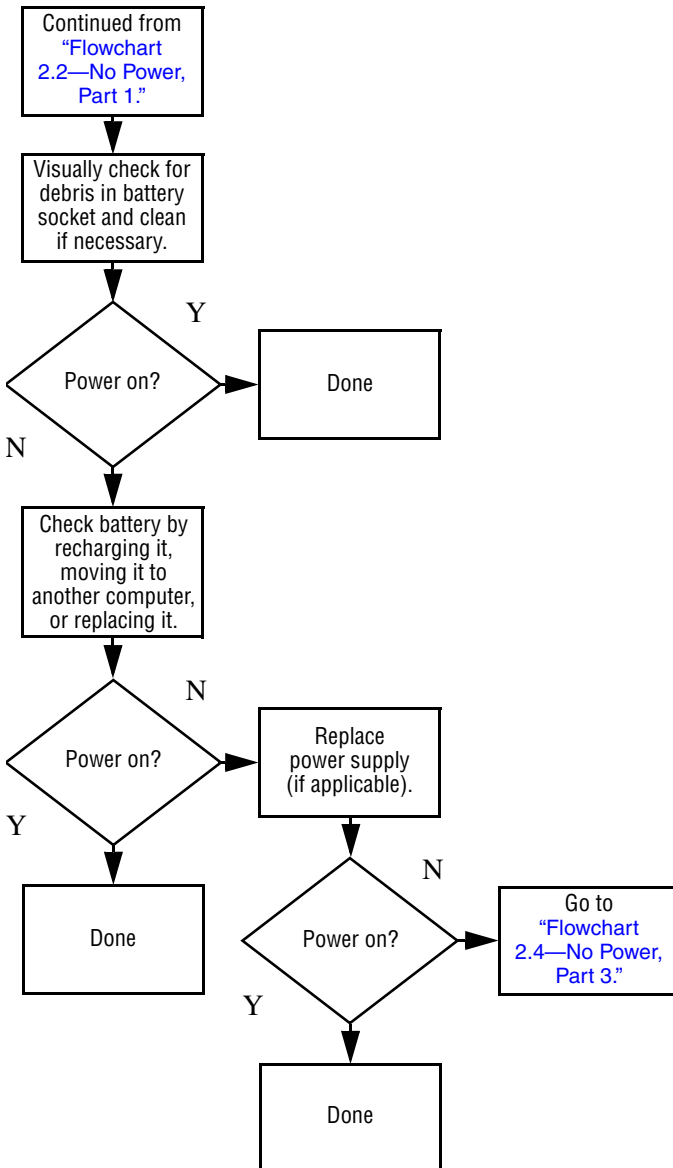


## Flowchart 2.2—No Power, Part 1

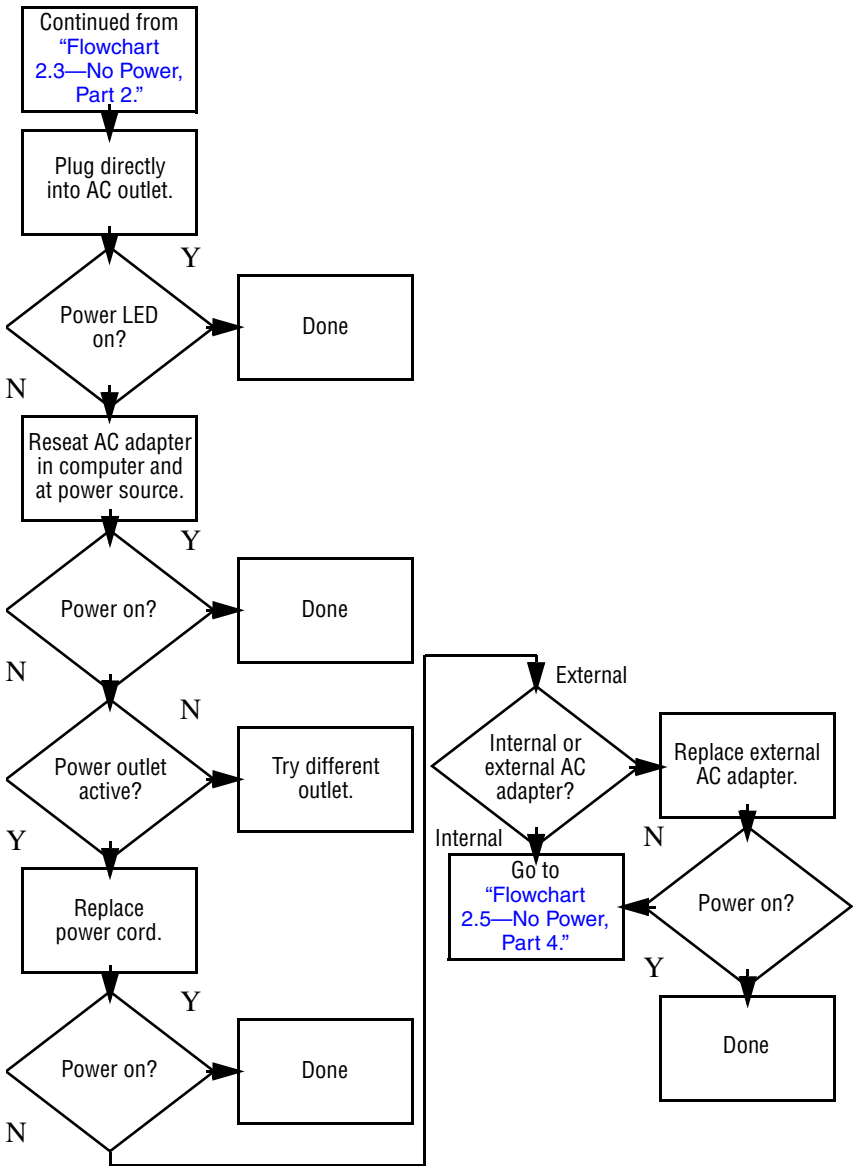




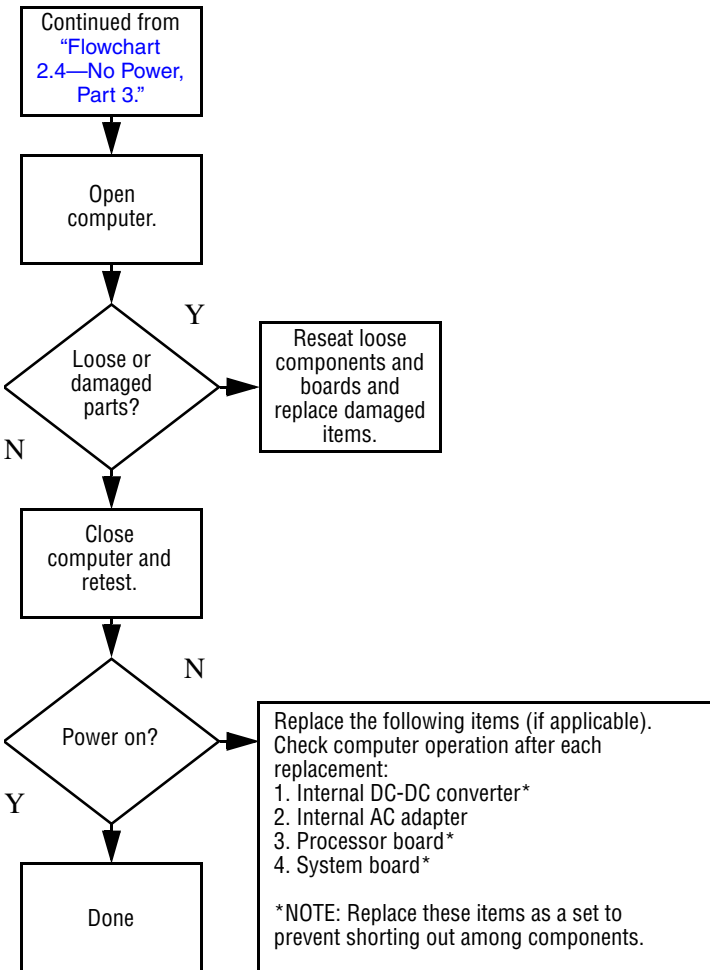
## Flowchart 2.3—No Power, Part 2



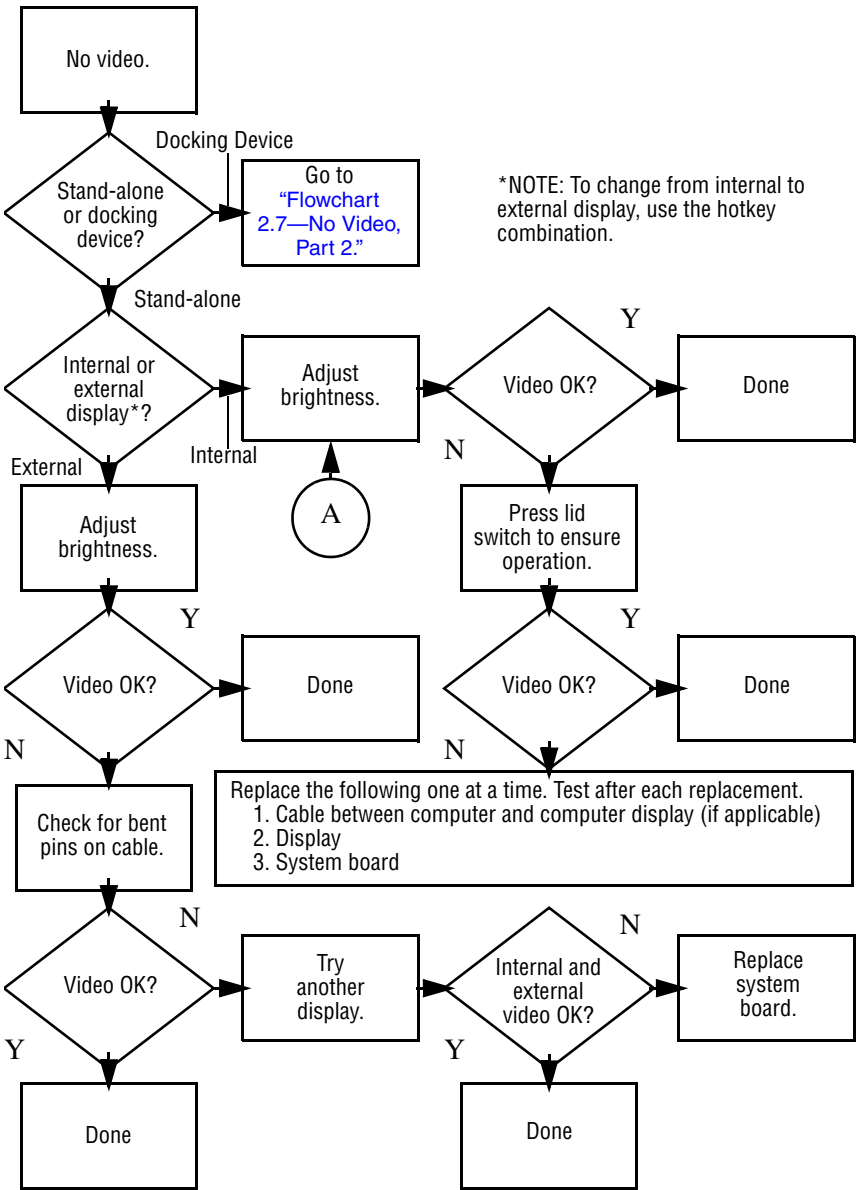
### Flowchart 2.4—No Power, Part 3



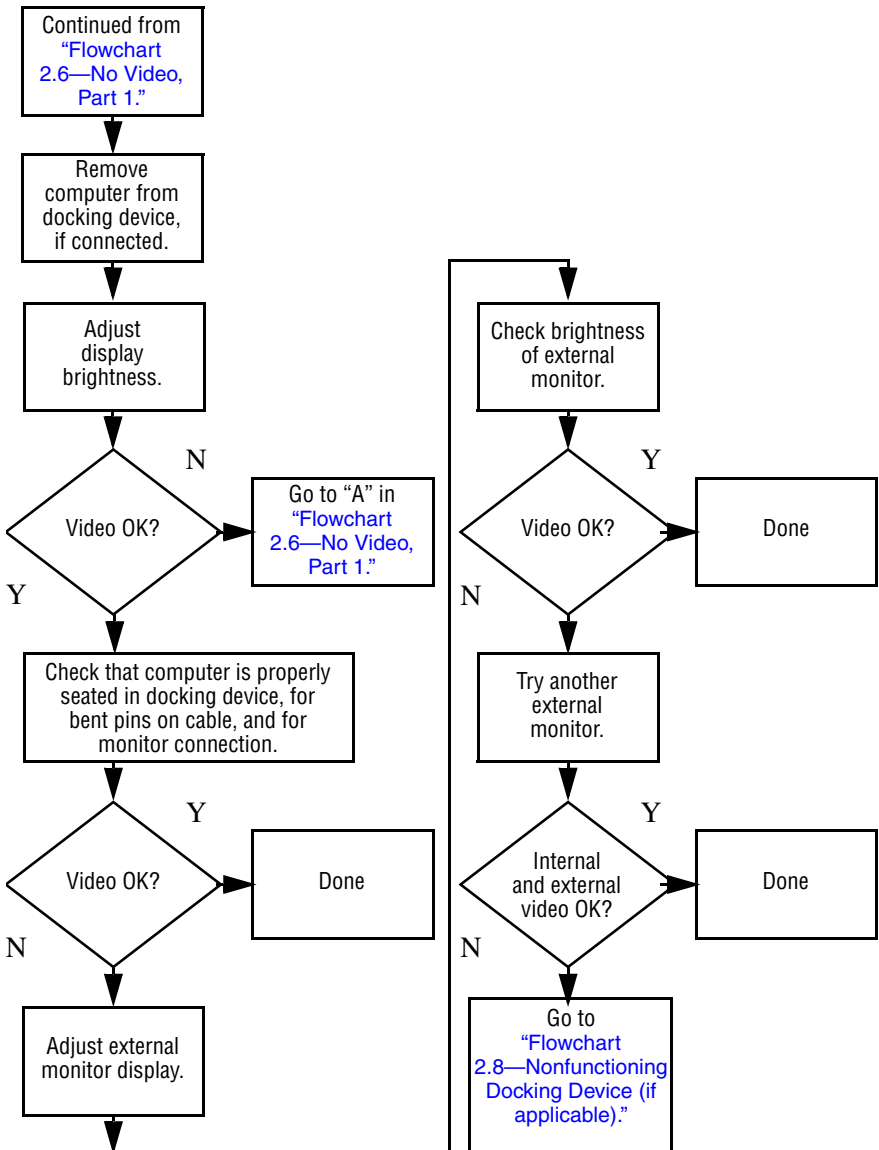
## Flowchart 2.5—No Power, Part 4



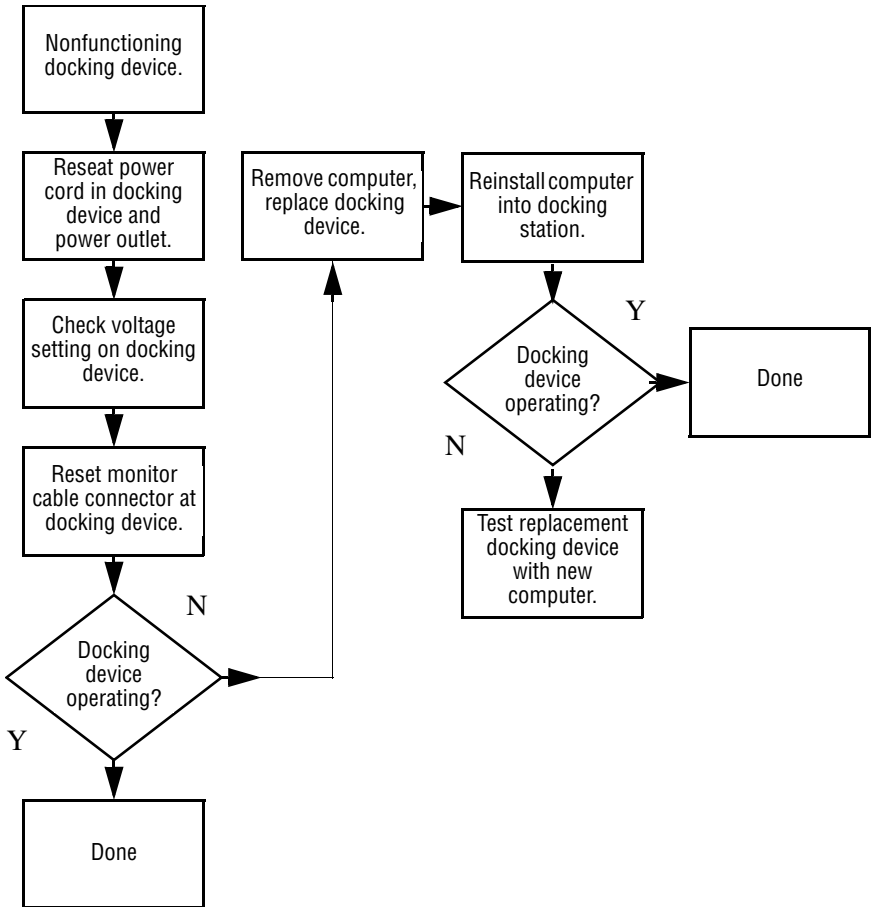
## Flowchart 2.6—No Video, Part 1



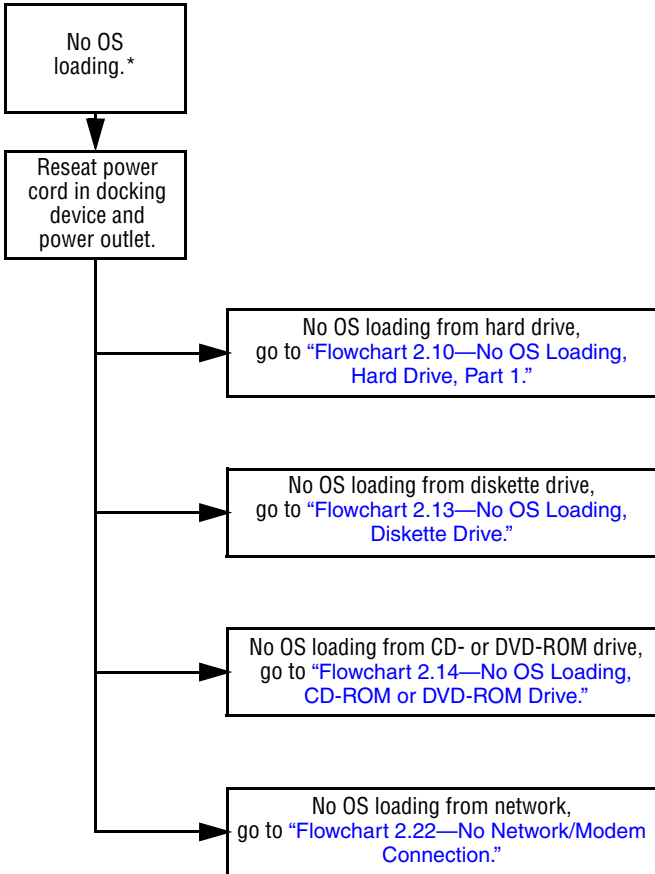
## Flowchart 2.7—No Video, Part 2



## Flowchart 2.8—Nonfunctioning Docking Device (if applicable)

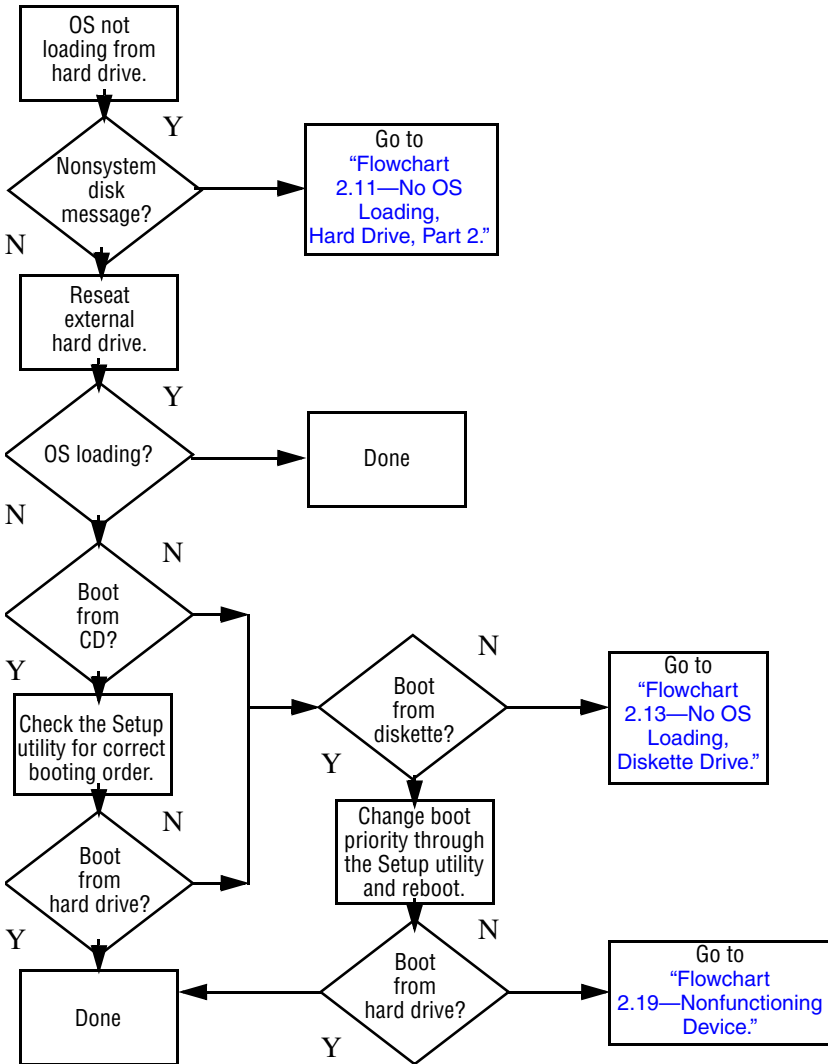


## Flowchart 2.9—No Operating System (OS) Loading



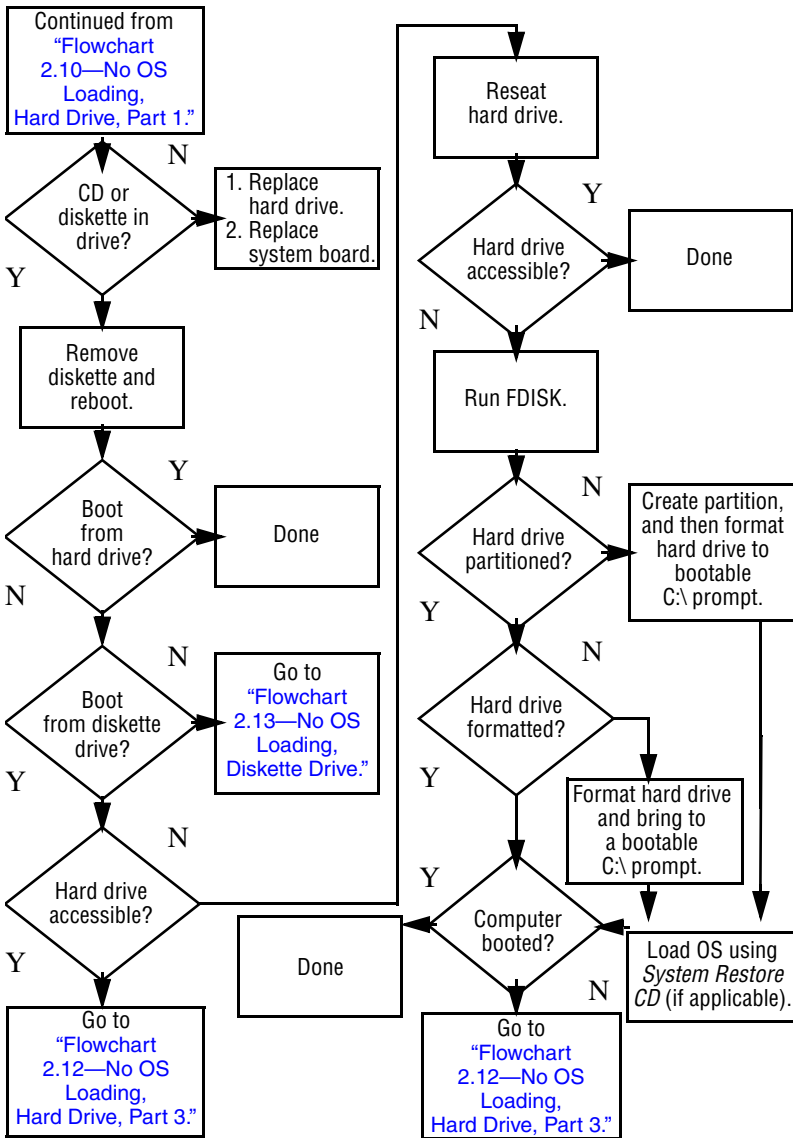
\*NOTE: Before beginning troubleshooting, always check cable connections, cable ends, and drives for bent or damaged pins.

## Flowchart 2.10—No OS Loading, Hard Drive, Part 1

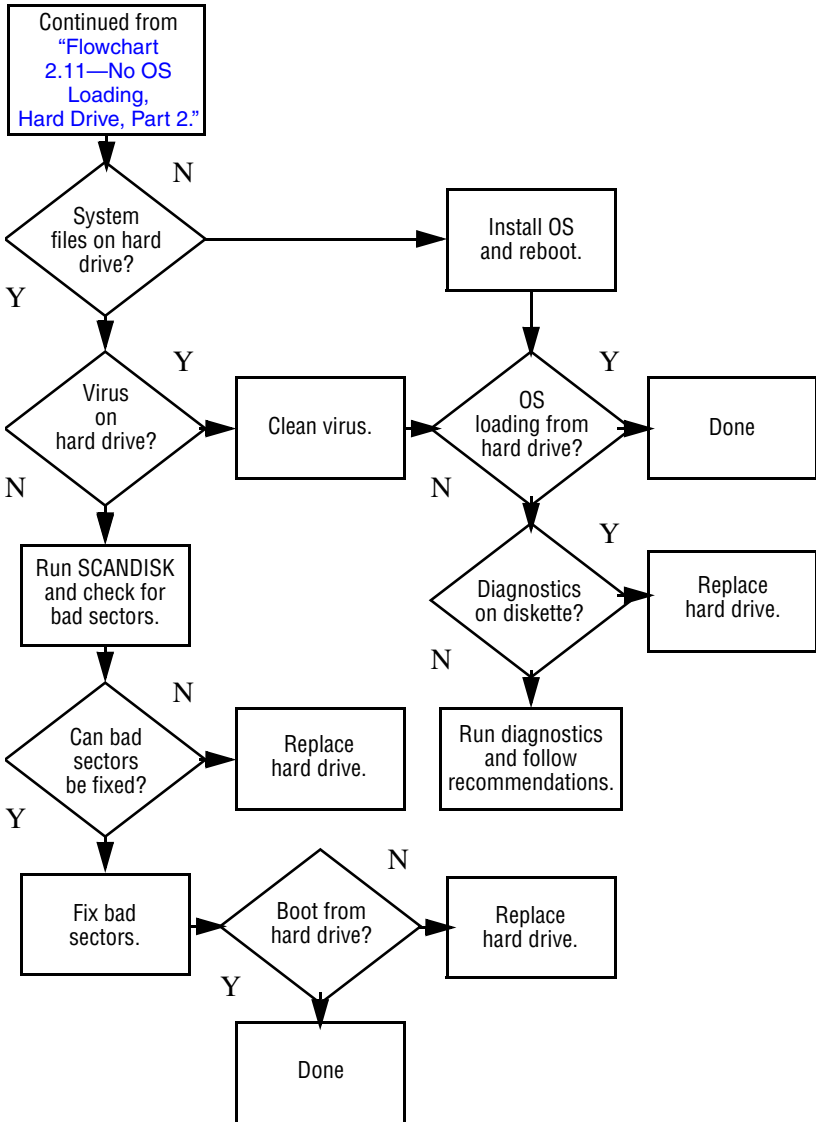




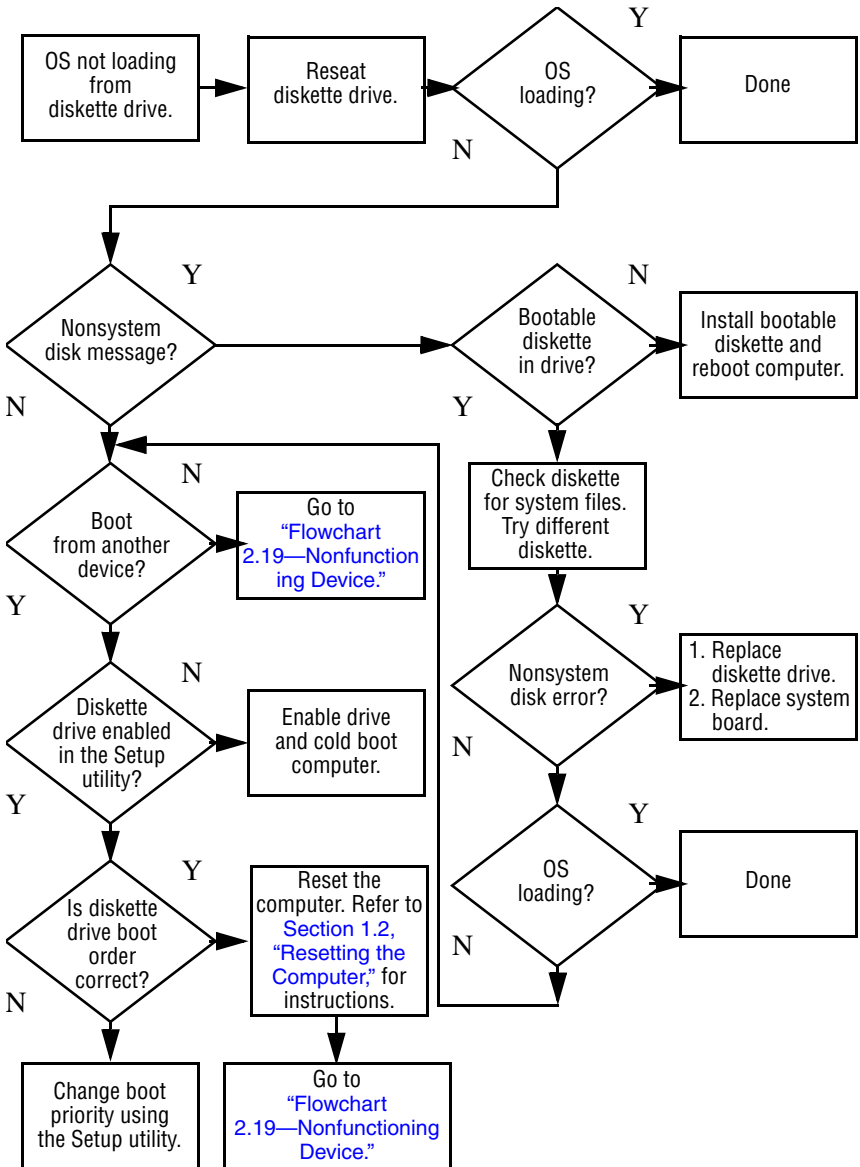
## Flowchart 2.11 – No OS Loading, Hard Drive, Part 2



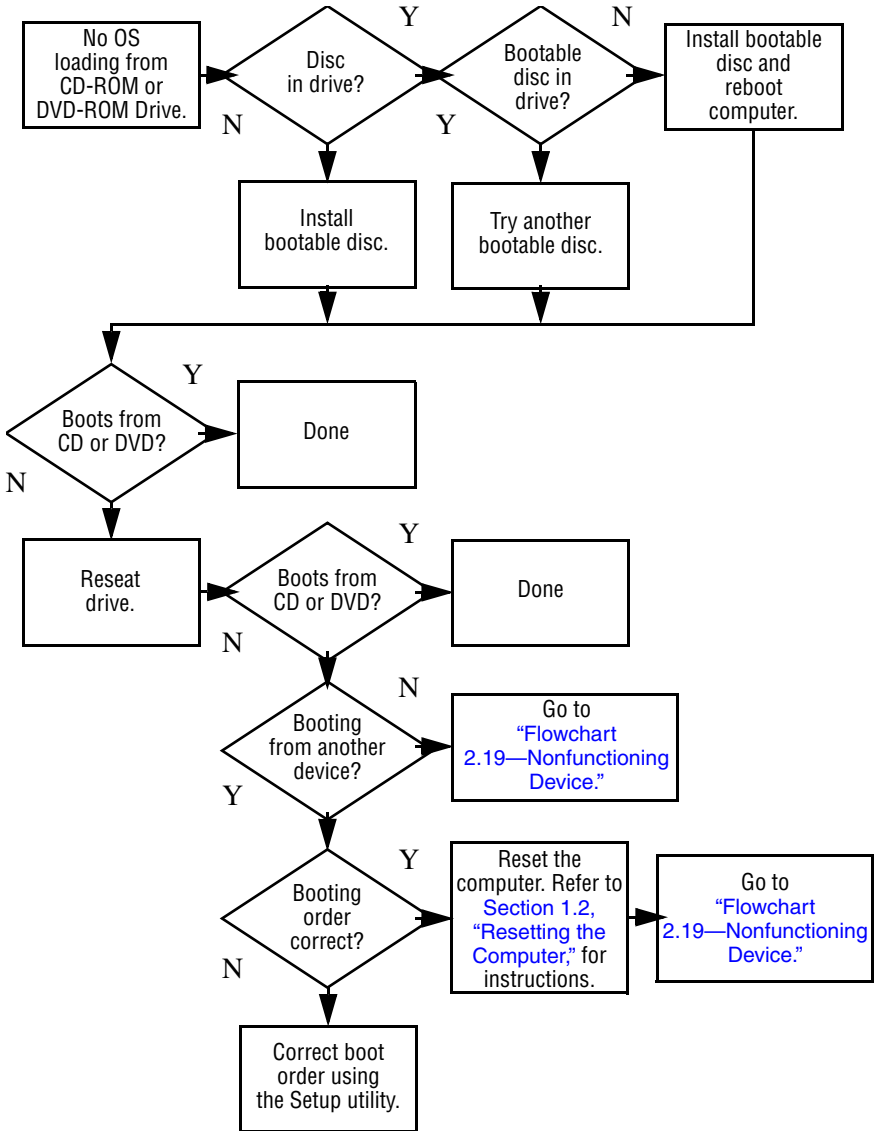
## Flowchart 2.12—No OS Loading, Hard Drive, Part 3



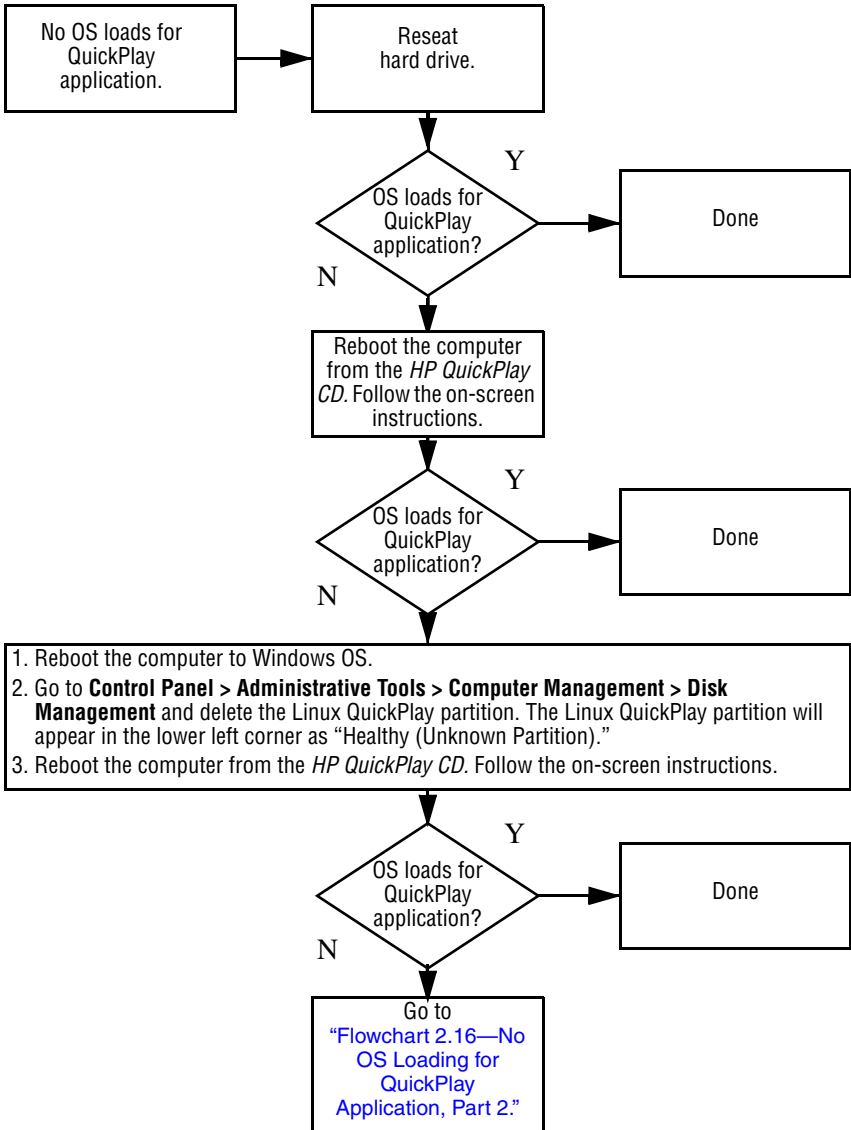
## Flowchart 2.13—No OS Loading, Diskette Drive



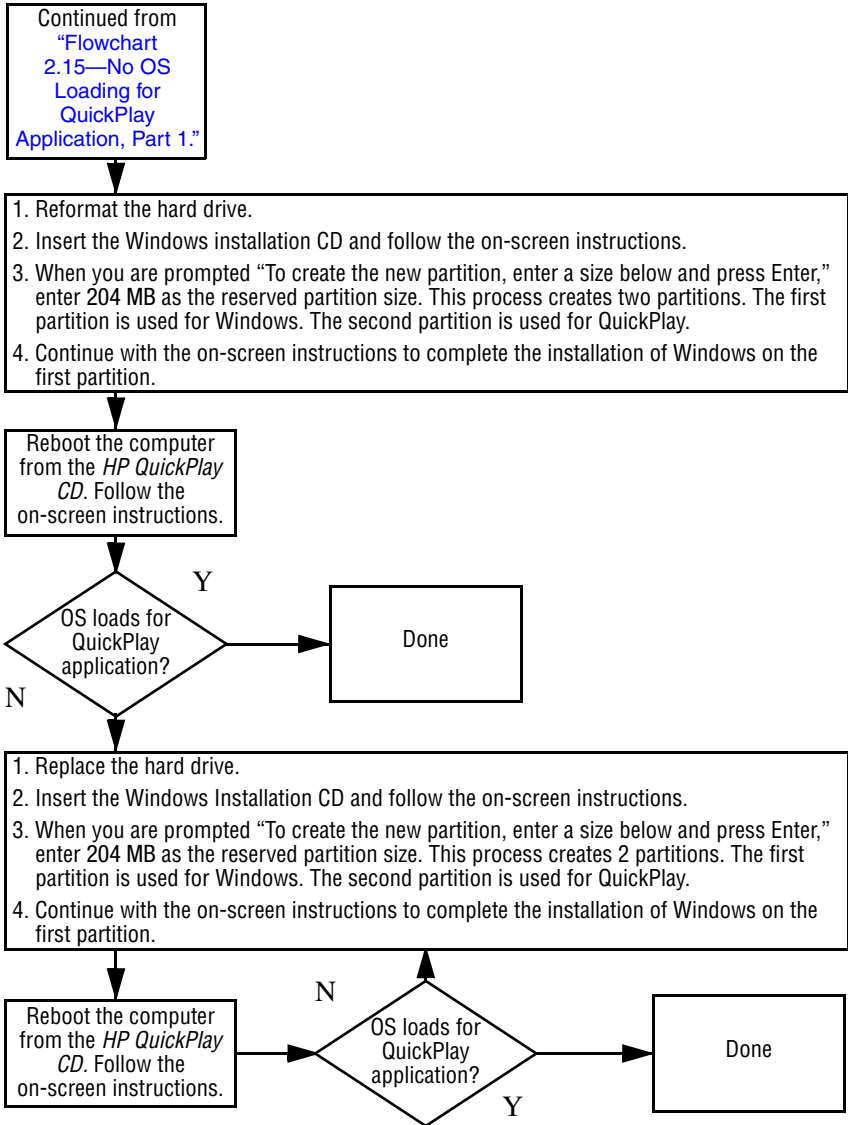
## Flowchart 2.14—No OS Loading, CD-ROM or DVD-ROM Drive



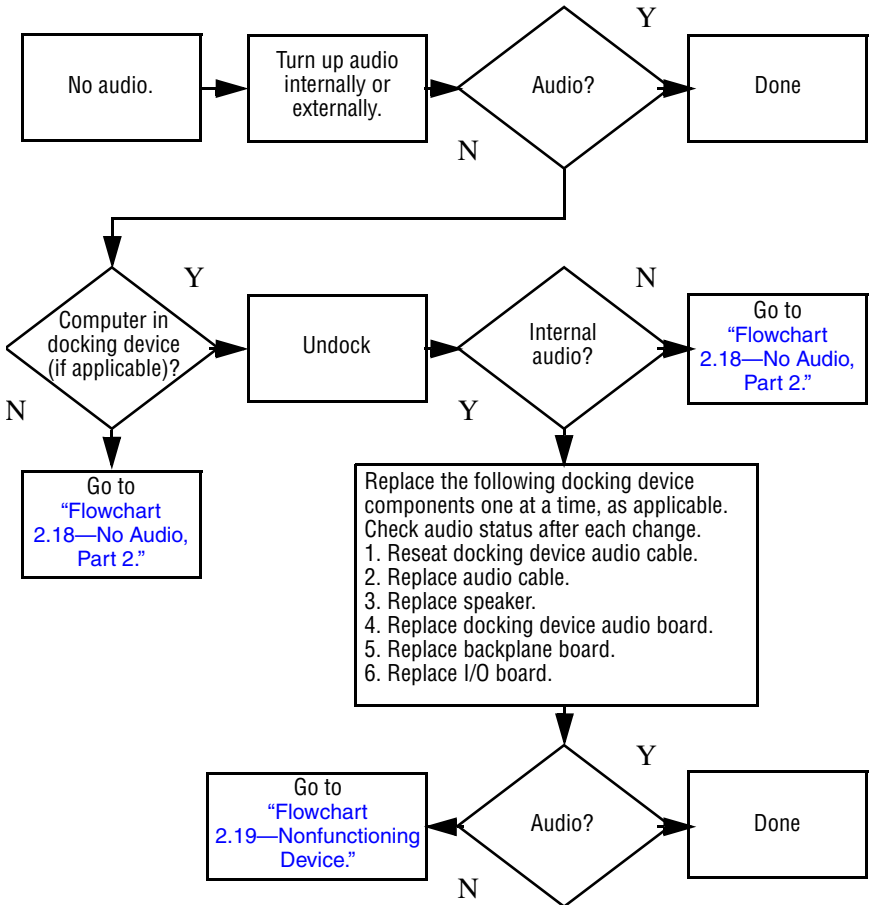
## Flowchart 2.15—No OS Loading for QuickPlay Application, Part 1



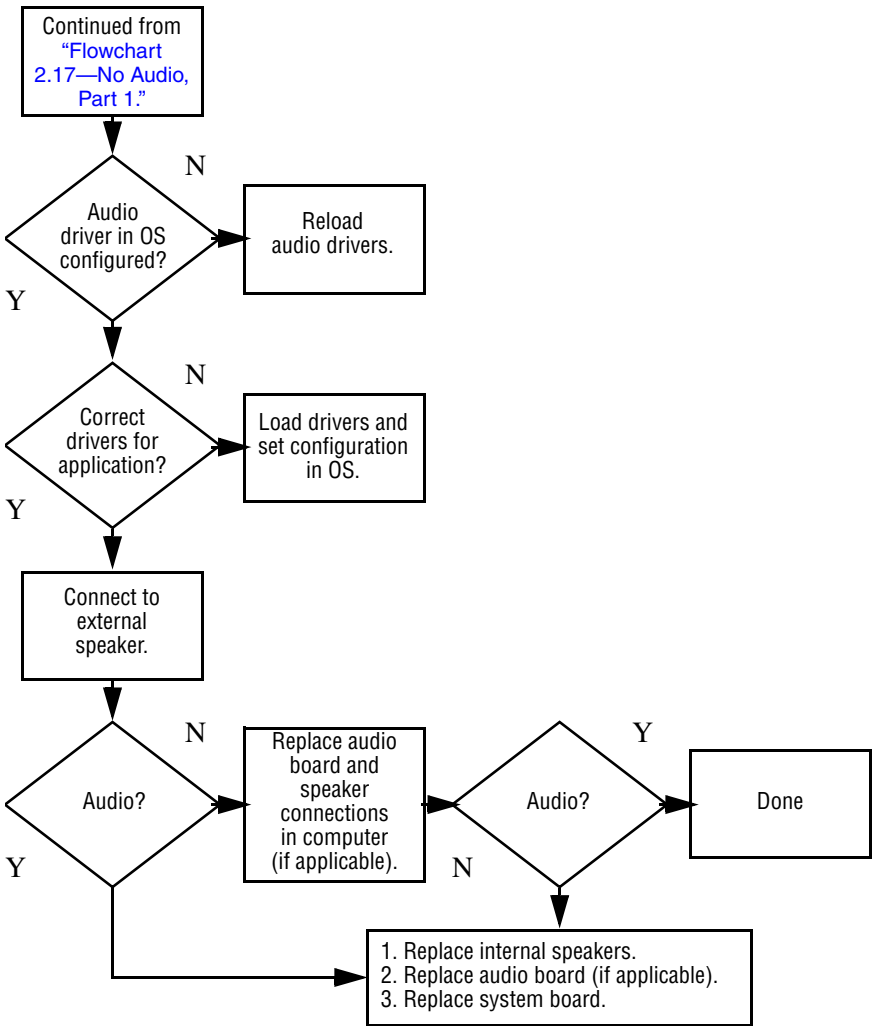
## Flowchart 2.16—No OS Loading for QuickPlay Application, Part 2



## Flowchart 2.17—No Audio, Part 1

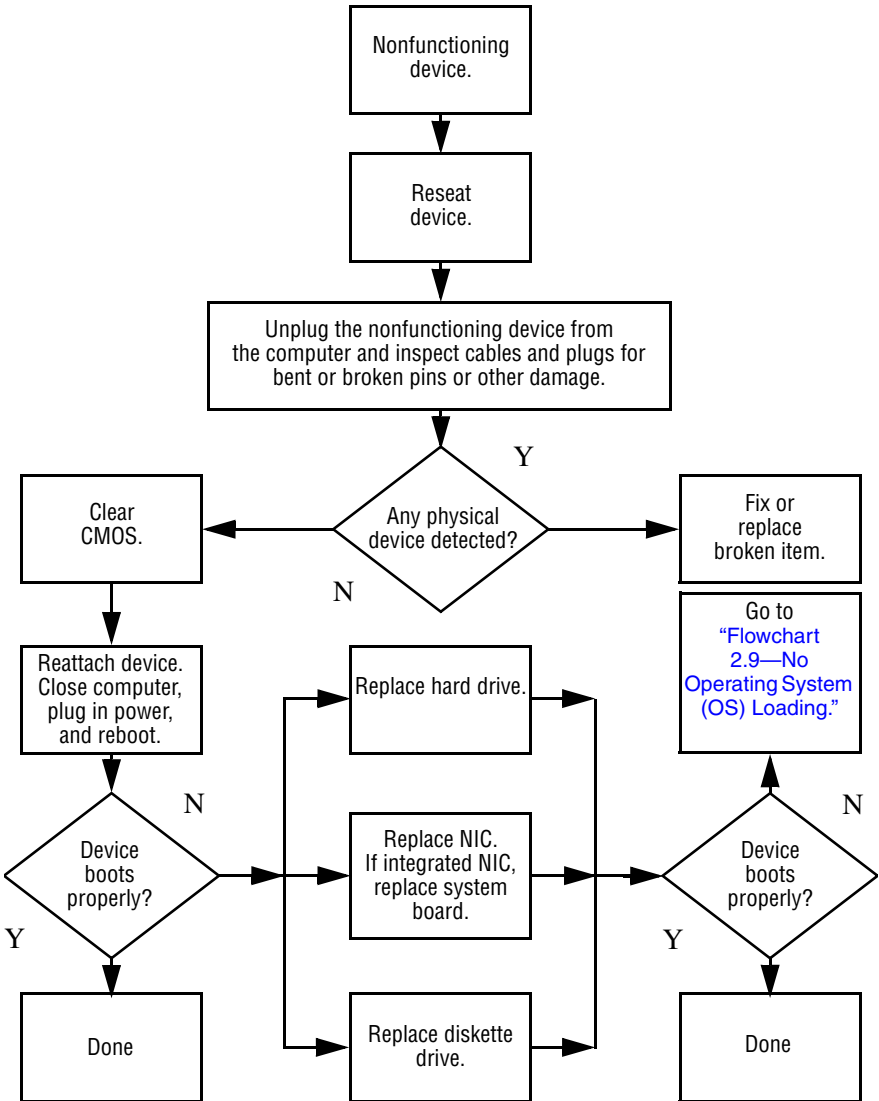


## Flowchart 2.18—No Audio, Part 2

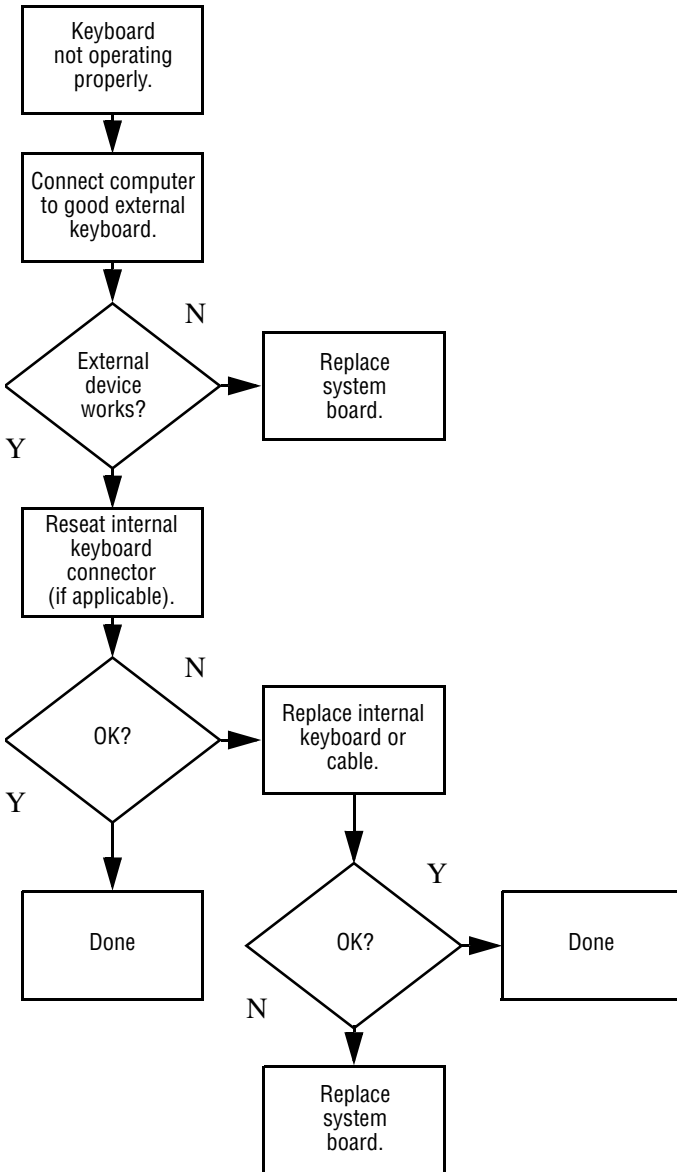




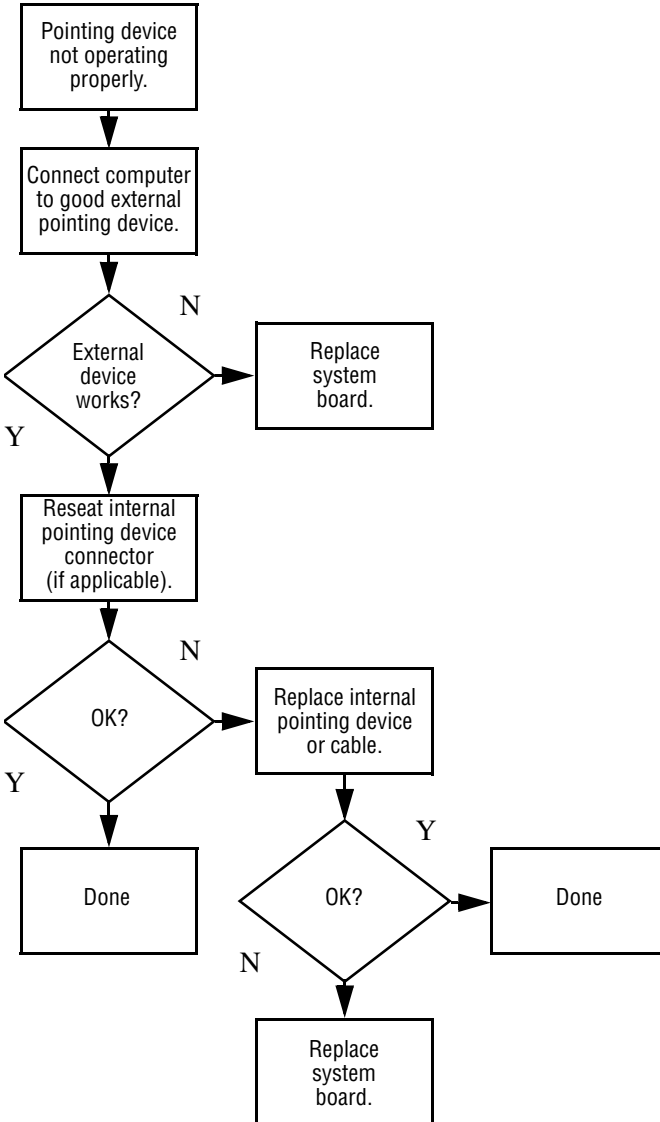
## Flowchart 2.19—Nonfunctioning Device



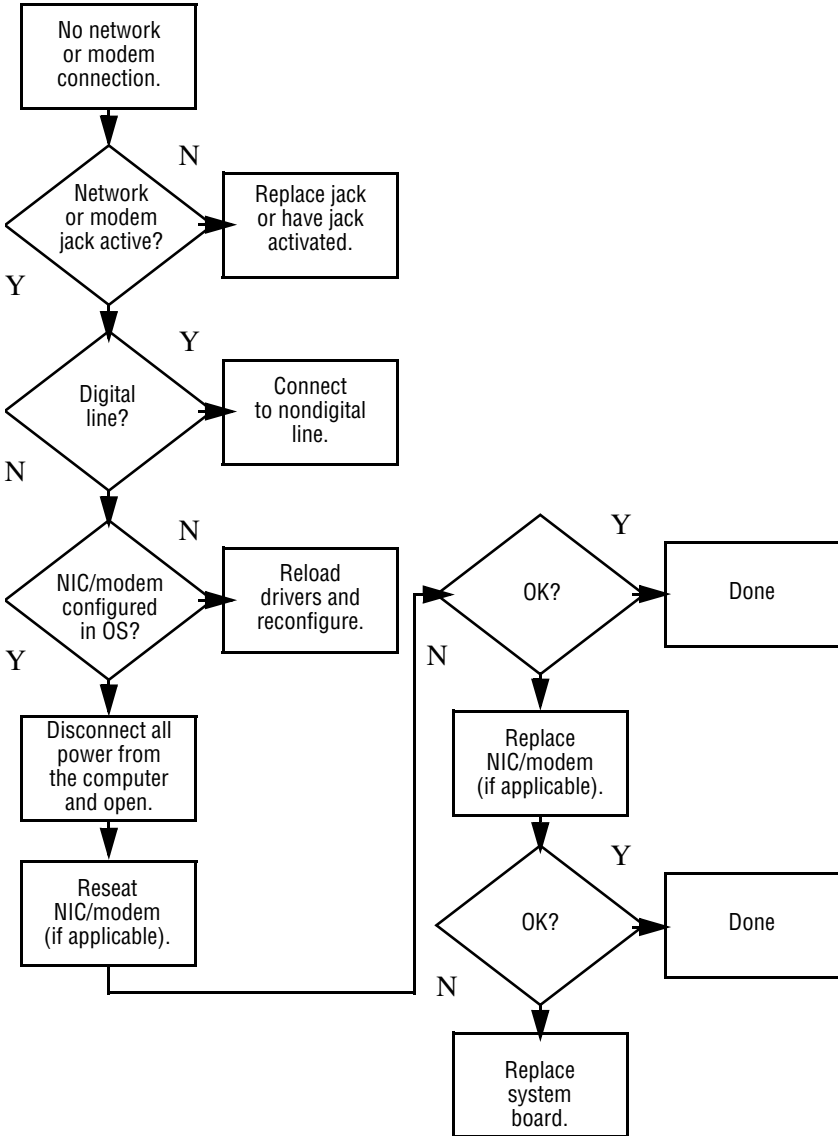
## Flowchart 2.20—Nonfunctioning Keyboard



## Flowchart 2.21 – Nonfunctioning Pointing Device



## Flowchart 2.22—No Network/Modem Connection



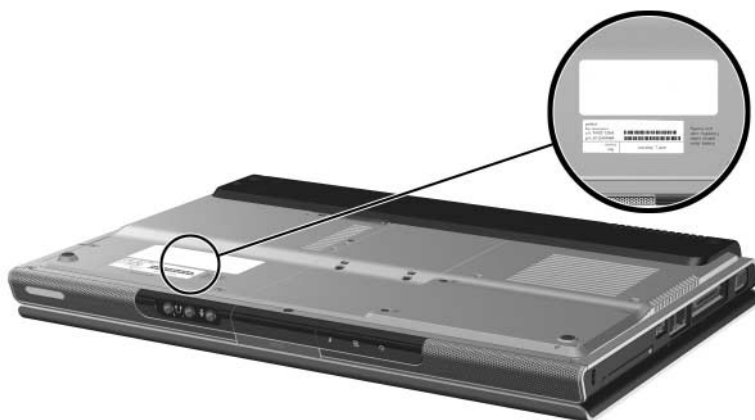
---

## Illustrated Parts Catalog

This chapter provides an illustrated parts breakdown and a reference for spare part numbers and option part numbers.

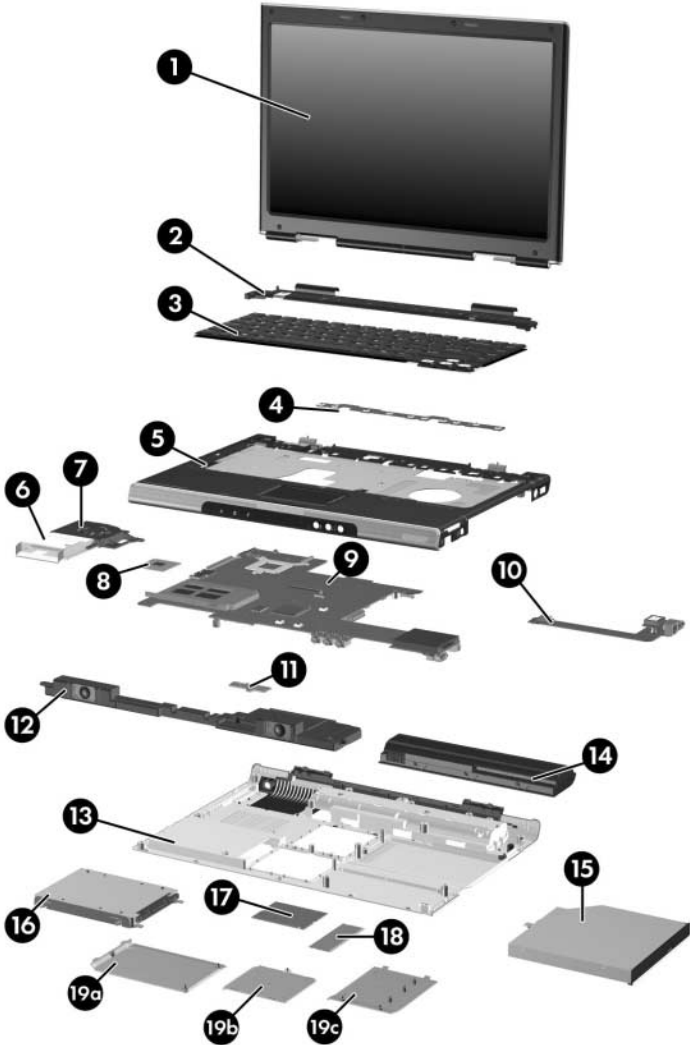
### 3.1 Serial Number Location

When ordering parts or requesting information, provide the computer serial number and model number located on the bottom of the computer.



*Serial Number Location*

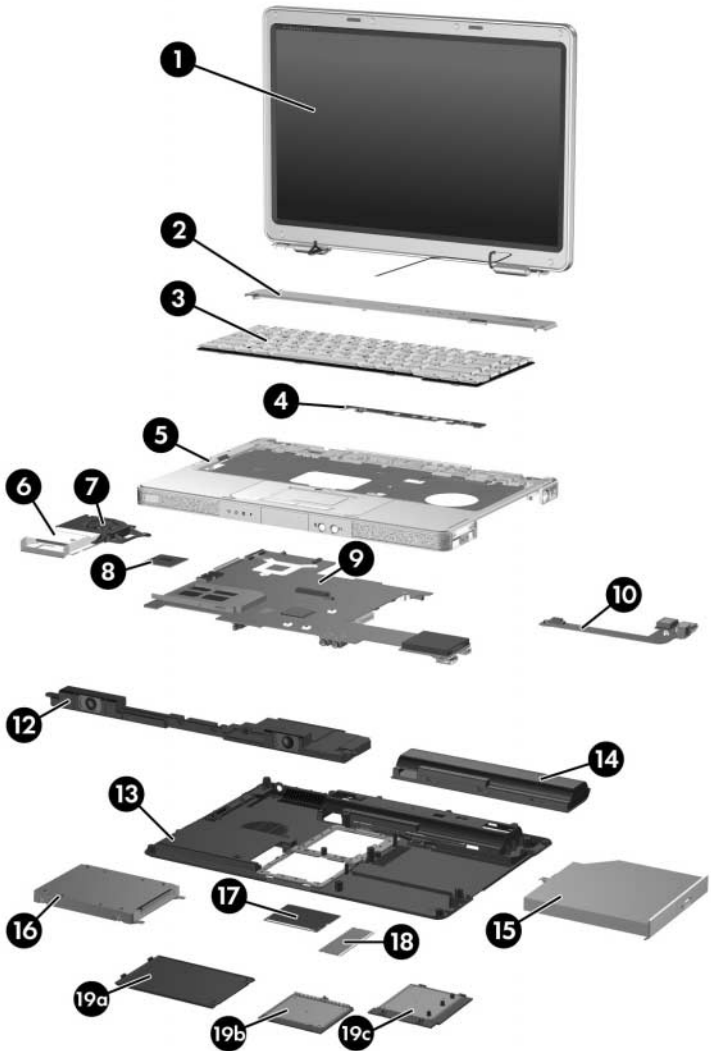
## 3.2 Computer Major Components



Computer Major Components, HP Pavilion dv1000

**Table 3-1**  
**Spare Parts: Computer Major Components**

| <b>Item</b> | <b>Description</b>   | <b>Spare Part Number</b> |
|-------------|--|--------------------------|
| 1           | <b>Display assemblies</b> (include wireless antenna boards and cables)               |                          |
|             | For use on HP Pavilion dv1000 models   |                          |
|             | 14.0-inch, WXGA, SVA with Brightview   | 373054-001               |
|             | 14.0-inch, WXGA  | 367783-001               |
|             | For use on HP Compaq nx4800 models   |                          |
|             | 14.0-inch, WXGA, SVA with Brightview   | 373060-001               |
|             | 14.0-inch, WXGA  | 373528-001               |
|             | For use on Compaq Presario V2000 models  |                          |
|             | 14.0-inch, WXGA, SVA with Brightview   | 373055-001               |
|             | 14.0-inch, WXGA  | 367784-001               |
|             | <b>Display hinge brackets</b> (not illustrated)                                      | 382077-001               |
|             | <b>Display hinge covers</b> (for use only with Compaq V2000 models; not illustrated) | 382078-001               |

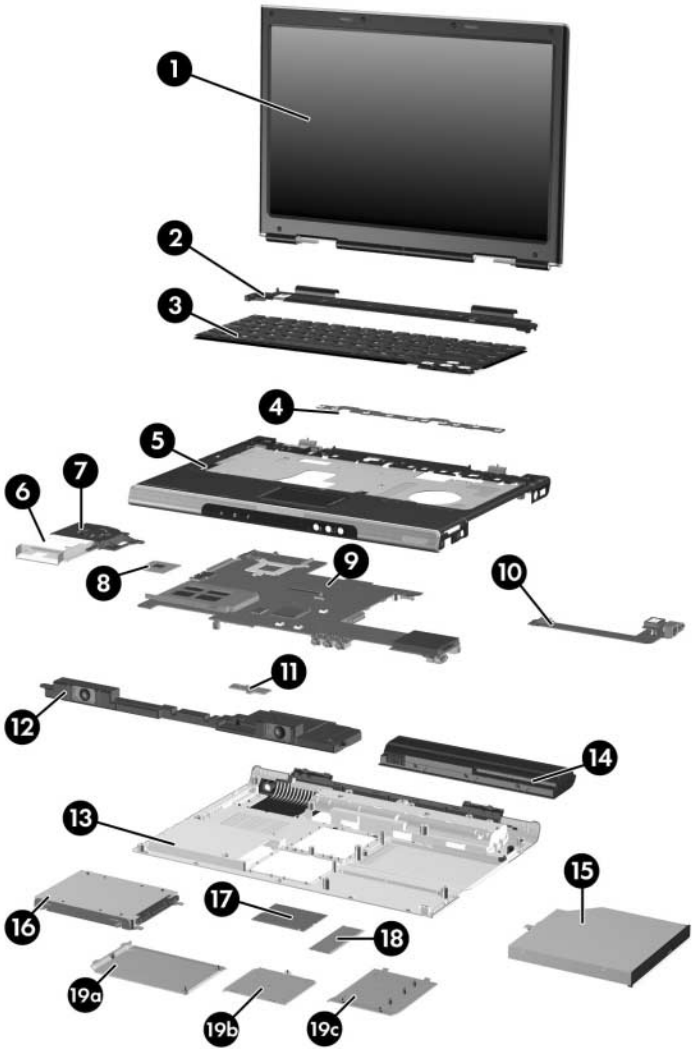


Computer Major Components, HP Compaq nx4800 and  
Compaq Presario V2000



**Table 3-1****Spare Parts: Computer Major Components (Continued)**

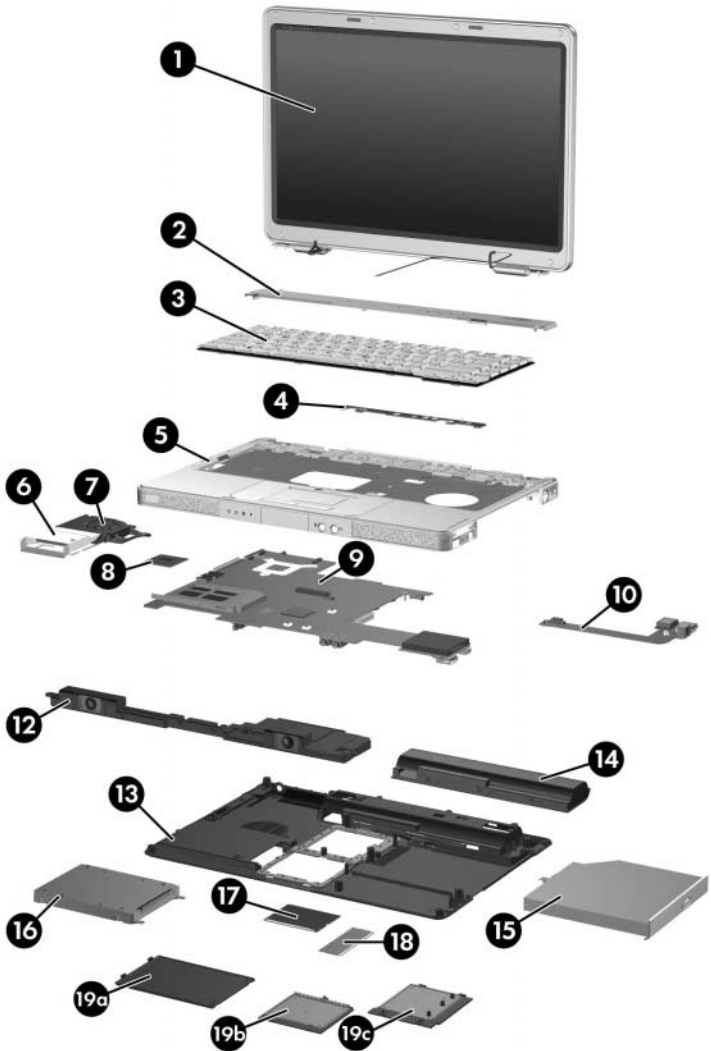
| <b>Item</b> | <b>Description</b>   | <b>Spare Part Number</b> |
|-------------|--|--------------------------|
| 2           | <b>Switch covers</b> (include wireless button and light)   |                          |
|             | For use on HP Pavilion dv1000 models with wireless capability  | 367781-001               |
|             | For use on HP Pavilion dv1000 models without wireless capability   | 367780-001               |
|             | For use on HP Compaq nx4800 and Compaq Presario V2000 models with a 1394 port, S-Video-out jack, expansion port, Memory Reader, and wireless capability        | 367782-001               |
|             | For use on HP Compaq nx4800 and Compaq Presario V2000 models with a 1394 port, S-Video-out jack, expansion port, and Memory Reader without wireless capability | 367779-001               |
|             | For use on Compaq Presario V2000 models without a 1394 port, S-Video-out jack, expansion port, and Memory Reader   | 373532-001               |



Computer Major Components, HP Pavilion dv1000

**Table 3-1****Spare Parts: Computer Major Components (Continued)**

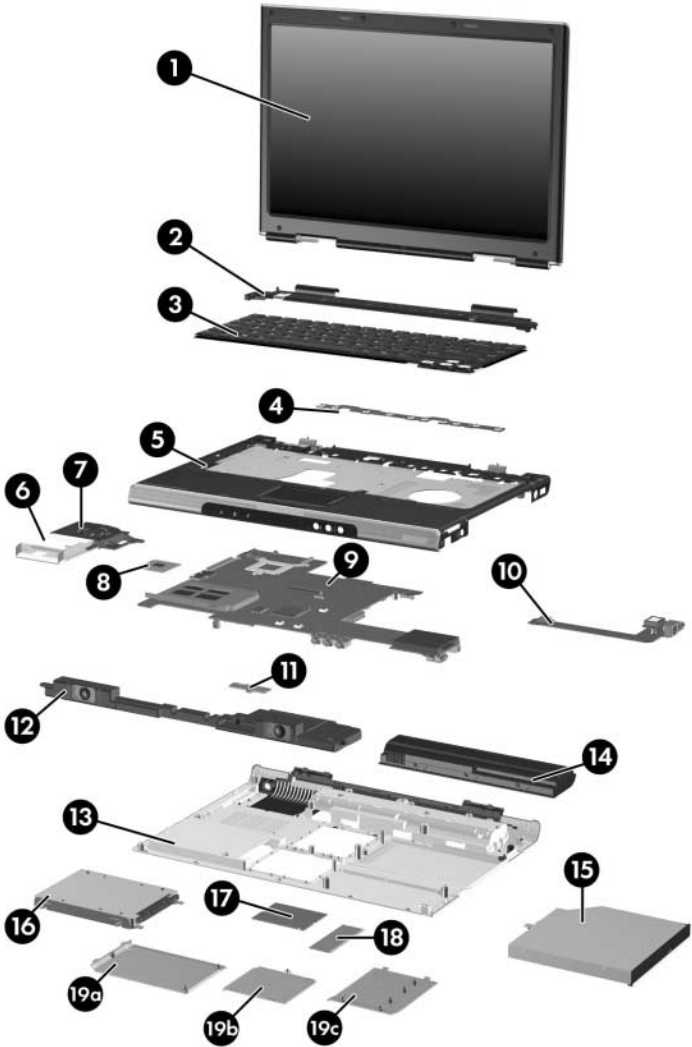
| <b>Item</b> | <b>Description</b>                          | <b>Spare Part Number</b> |
|-------------|---|--------------------------|
| 3           | <b>Keyboards</b>                            |                          |
|             | For use on HP Pavilion dv1000 models in:    |                          |
|             | Asia Pacific, 367778-001 Italy              | 367778-061               |
|             | Australia, Korea                            | 367778-AD1               |
|             | Canada, Latin America                       | 367778-161               |
|             | Hong Kong, Europe and                       | 367778-331               |
|             | the People's the Netherlands                |                          |
|             | Republic Norway                             | 367778-091               |
|             | of China, and Portugal                      | 367778-131               |
|             | the United Saudi Arabia                     | 367778-171               |
|             | States Spain                                | 367778-071               |
|             | Belgium 367778-A Sweden/Finland             | 367778-B71               |
|             | Denmark 41 Switzerland                      | 367778-111               |
|             | France 367778-081 Taiwan                    | 367778-AB1               |
|             | French Canada 367778-051 Thailand           | 367778-281               |
|             | Germany 367778-121 The United               | 367778-031               |
|             | Greece 367778-041 Kingdom                   |                          |
|             | Israel 367778-DJ1                           |                          |
|             | 367778-BB1                                  |                          |
|             | For use on HP Compaq nx4800 models in Japan | 367777-291               |



Computer Major Components, HP Compaq nx4800 and  
Compaq Presario V2000

**Table 3-1****Spare Parts: Computer Major Components (Continued)**

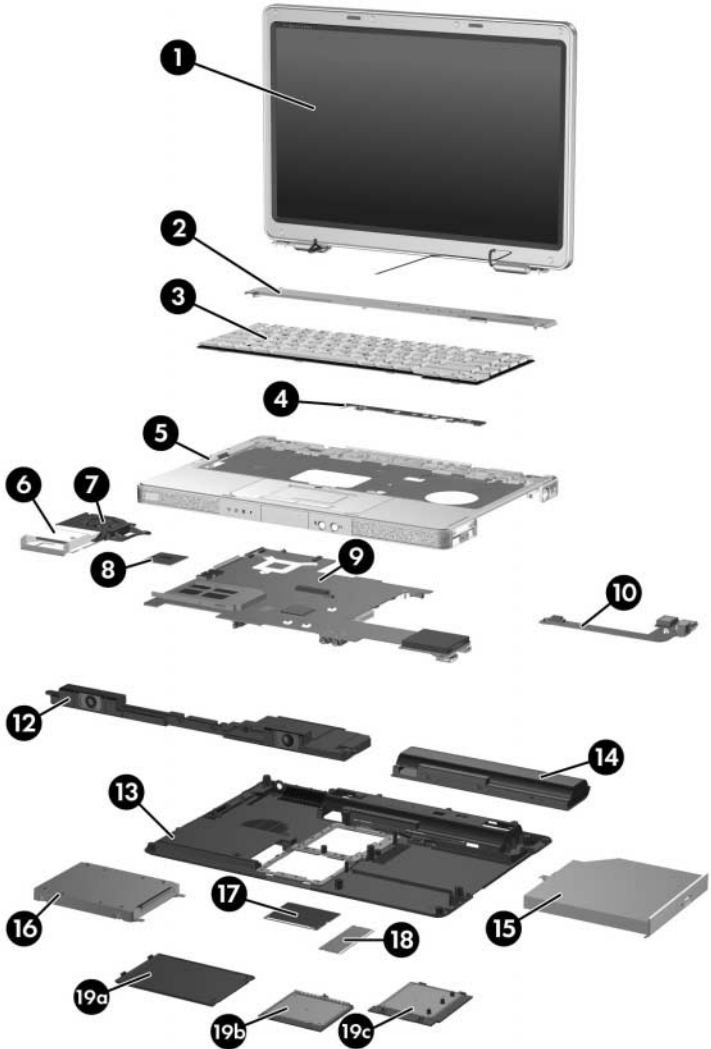
| <b>Item</b> | <b>Description</b>   | <b>Spare Part Number</b> |
|-------------|--|--------------------------|
| 3           | <b>Keyboards</b> (Continued)<br>For use on Compaq Presario V2000 models in:                                      |                          |
|             | Asia Pacific, 367777-001 Italy   | 367777-061               |
|             | Australia, Korea   | 367777-AD1               |
|             | Hong Kong, Latin America   | 367777-161               |
|             | the People's Republic of Norway  | 367777-091               |
|             | China, and the Sweden/Finland  | 367777-B71               |
|             | United States Spain  | 367777-071               |
|             | Denmark 367777-081 Taiwan  | 367777-AB1               |
|             | Europe and 367777-331 Thailand   | 367777-281               |
|             | the Netherlands The United Kingdom   | 367777-031               |
|             | France 367777-051  |                          |
|             | French Canada 367777-121   |                          |
| 4           | <b>LED boards</b> (include cable, not illustrated)<br>For use on HP Pavilion dv1000 models                       | 367797-001               |
|             | For use on HP Compaq nx4800 and Compaq Presario V2000 models   | 367798-001               |
| 5           | <b>Top covers</b> (include TouchPad)<br>For use on HP Pavilion dv1000 models                                     | 367761-001               |
|             | For use on HP Compaq nx4800 models   | 373529-001               |
|             | For use on Compaq Presario V2000 models with a 1394 port, S-Video-out jack, expansion port, and Memory Reader    | 367762-001               |
|             | For use on Compaq Presario V2000 models without a 1394 port, S-Video-out jack, expansion port, and Memory Reader | 373531-001               |



Computer Major Components, HP Pavilion dv1000

**Table 3-1****Spare Parts: Computer Major Components (Continued)**

| <b>Item</b> | <b>Description</b>                              | <b>Spare Part Number</b> |
|-------------|---|--------------------------|
| 6           | <b>Heat sink</b> (includes thermal pad)         | 367796-001               |
| 7           | <b>Fan</b> (includes thermal pad)               | 367795-001               |
| 8           | <b>Processors</b> (include thermal pad)         |                          |
|             | Intel Pentium M 745 (1.8-GHz) with 400-MHz FSB  | 373053-001               |
|             | Intel Pentium M 735 (1.7-GHz) with 400-MHz FSB  | 373052-001               |
|             | Intel Pentium M 725A (1.6-GHz) with 400-MHz FSB | 394825-001               |
|             | Intel Pentium M 725 (1.6-GHz) with 400-MHz FSB  | 367771-001               |
|             | Intel Pentium M 715A (1.5-GHz) with 400-MHz FSB | 380690-001               |
|             | Intel Pentium M 715 (1.5-GHz) with 400-MHz FSB  | 383431-001               |
|             | Intel Pentium M 705 (1.5-GHz) with 400-MHz FSB  | 375979-001               |
|             | Intel Pentium M 710 (1.4-GHz) with 400-MHz FSB  | 376588-001               |
|             | Intel Celeron M 340 (1.5-GHz) with 400-MHz FSB  | 367768-001               |
|             | Intel Celeron M 370 (1.5-GHz) with 400-MHz FSB  | 383876-001               |
|             | Intel Celeron M 360 (1.4-GHz) with 400-MHz FSB  | 380033-001               |
|             | Intel Celeron M 330 (1.4-GHz) with 400-MHz FSB  | 367767-001               |
|             | Intel Celeron M 350 (1.3-GHz) with 400-MHz FSB  | 380032-001               |

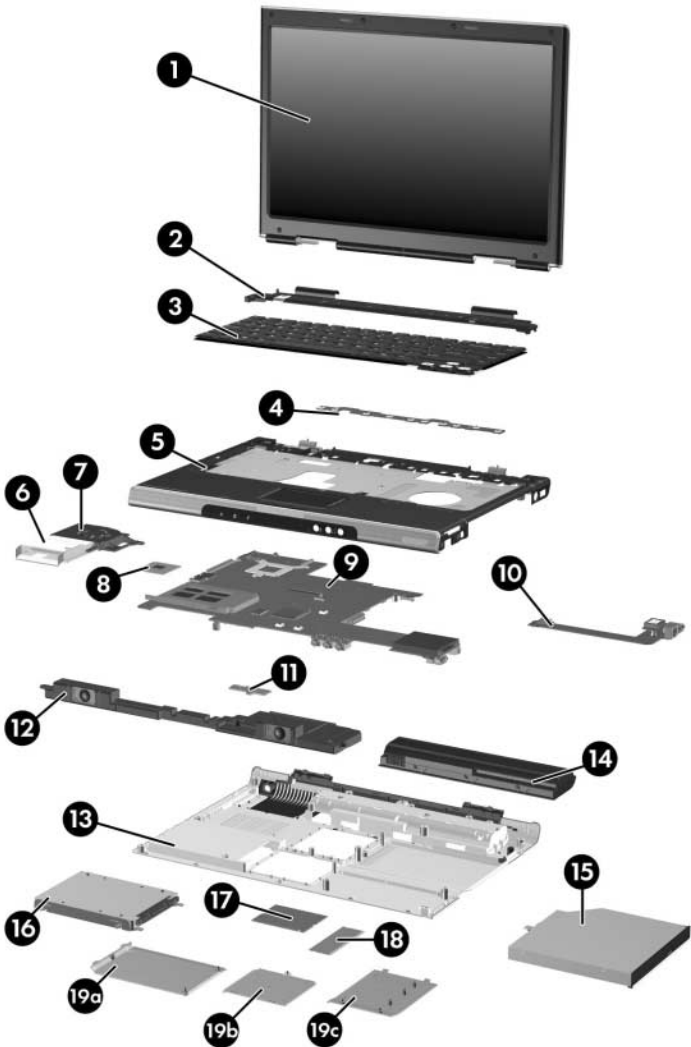


*Computer Major Components, HP Compaq nx4800 and  
Compaq Presario V2000*



**Table 3-1****Spare Parts: Computer Major Components (Continued)**

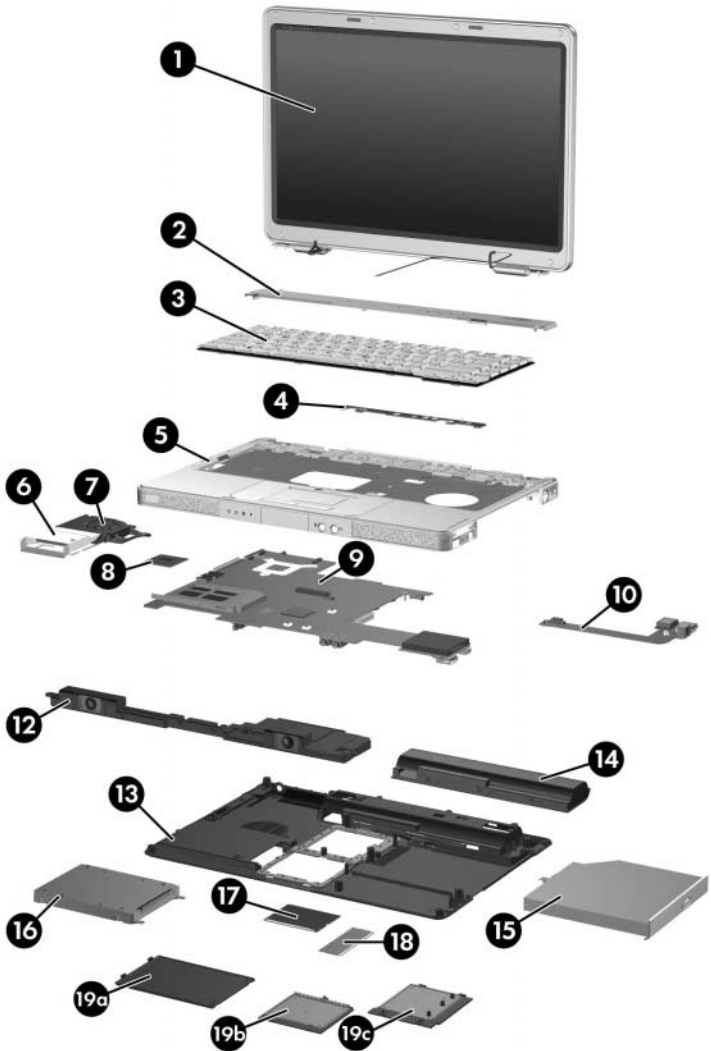
| <b>Item</b> | <b>Description</b>  | <b>Spare Part Number</b> |
|-------------|---|--------------------------|
| 9           | <b>System boards</b> (include disk cell RTC battery)  |                          |
|             | 855, for use on full-featured HP Pavilion dv1000 models in countries other than Japan   | 381062-001               |
|             | 855, for use on full-featured HP Pavilion dv1000 models in Japan  | 391884-001               |
|             | 852GM, for use on full-featured HP Pavilion dv1000 models in Japan  | 381063-001               |
|             | For use on HP Pavilion dv1000 models with Intel Pentium M processors  | 367799-001               |
|             | For use on HP Pavilion dv1000 models with Intel Celeron M processors  | 367800-001               |
|             | For use on HP Compaq nx4800 and Compaq Presario V2000 models with Intel Pentium M processors  | 373522-001               |
|             | For use on Compaq Presario V2000 models with Intel Celeron M processors   | 373523-001               |
|             | <b>PC Card assemblies</b>   |                          |
|             | Silver with 1-dot PC Card eject lever   | 385869-001               |
|             | Black with 3-dot PC Card eject lever  | 389524-001               |
|             | Black with 1-dot PC Card eject lever  | 389525-001               |
| 10          | <b>USB/S-Video controller boards</b>  |                          |
|             | For use on HP Pavilion dv1000 models and HP Compaq nx4800 and Compaq Presario V2000 models with a 1394 port, S-Video-out jack, expansion port, and digital memory card reader | 367794-001               |
|             | For use only on Compaq Presario V2000 models without a 1394 port, S-Video-out jack, expansion port, and Memory Reader   | 373533-001               |



Computer Major Components, HP Pavilion dv1000

**Table 3-1****Spare Parts: Computer Major Components (Continued)**

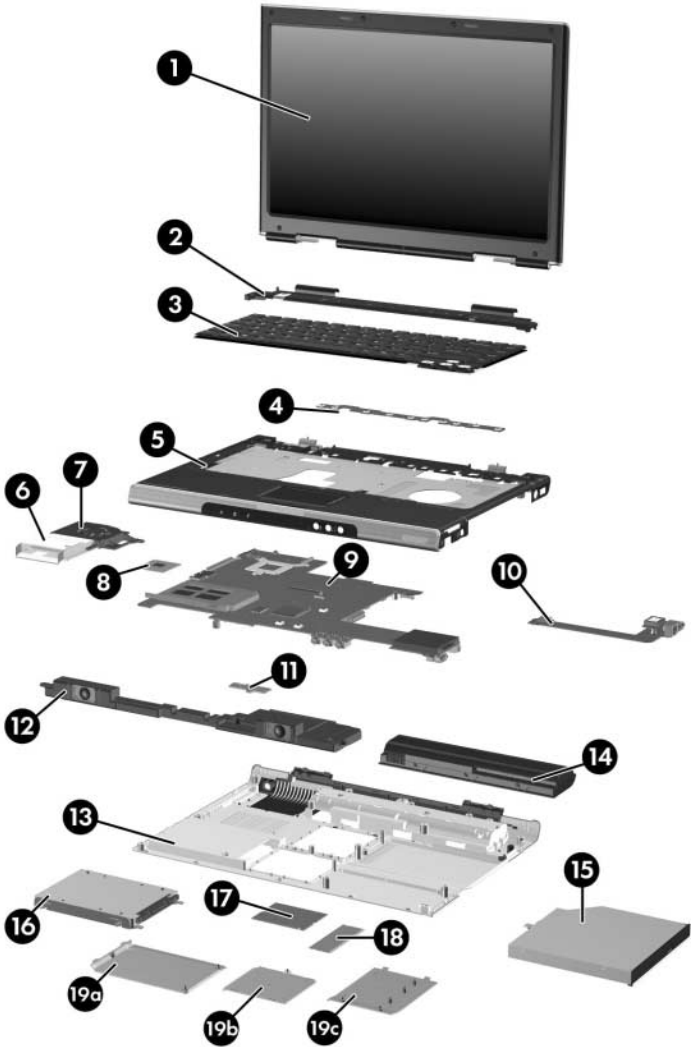
| <b>Item</b> | <b>Description</b>  | <b>Spare Part Number</b> |
|-------------|---|--------------------------|
| 11          | <b>Menu control button board</b> (includes bracket and cable, for use only on HP Pavilion dv1000 computer models) | 373535-001               |
| 12          | <b>Speaker assemblies</b>   |                          |
|             | For use on HP Pavilion dv1000 models  | 367793-001               |
|             | For use on HP Compaq nx4800 and Compaq Presario V2000 models  | 374625-001               |
| 13          | <b>Base enclosures</b>  |                          |
|             | For use on HP Pavilion dv1000 models  | 367763-001               |
|             | For use on HP Compaq nx4800 and Compaq Presario V2000 models  | 367764-001               |
| 14          | <b>Battery packs</b>  |                          |
|             | 12-cell, 8.8-AHr  | 367760-001               |
|             | 6-cell, 4.4-AHr   | 367759-001               |
|             | 6-cell, 4.0-AHr   | 398065-001               |
| 15          | <b>Optical drives</b> (include bezel)   |                          |
|             | For use on HP Pavilion dv1000 models  |                          |
|             | 8X DVD-ROM Drive  | 367789-001               |
|             | 24X DVD/CD-RW Combo Drive   | 367790-001               |
|             | 4X DVD+RW/R and CD-RW Combo Drive   | 373625-001               |
|             | 4X DVD±RW/R and CD-RW Combo Drive   | 375981-001               |
|             | 8X DVD±RW/R and CD-RW Combo Drive   | 375983-001               |
|             | 8X DVD±RW/R and CD-RW Combo Drive, LightScribe  | 383877-001               |
|             | 8X DVD±RW/R and CD-RW Dual Layer Combo Drive  | 383896-001               |



Computer Major Components, HP Compaq nx4800 and  
Compaq Presario V2000

**Table 3-1****Spare Parts: Computer Major Components (Continued)**

| <b>Item</b> | <b>Description</b>   | <b>Spare Part Number</b> |
|-------------|--|--------------------------|
| 15          | <b>Optical drives</b> (Continued)                            |                          |
|             | For use on HP Compaq nx4800 and Compaq Presario V2000 models |                          |
|             | 8X DVD-ROM Drive   | 373524-001               |
|             | 24X DVD/CD-RW Combo Drive                                    | 373525-001               |
|             | 4X DVD+RW/R and CD-RW Combo Drive                            | 373626-001               |
|             | 4X DVD±RW/R and CD-RW Combo Drive                            | 375982-001               |
|             | 8X DVD±RW/R and CD-RW Combo Drive                            | 375984-001               |
|             | 8X DVD±RW/R and CD-RW Combo Drive, LightScribe               | 383878-001               |
|             | 8X DVD±RW/R and CD-RW Dual Layer Combo Drive                 | 389897-001               |
| 16          | <b>Hard drives</b> (include frame and connector)             |                          |
|             | 5400-rpm   |                          |
|             | 80-GB  | 377651-001               |
|             | 60-GB  | 375980-001               |
|             | 4200-rpm   |                          |
|             | 100-GB   | 381721-001               |
|             | 80-GB  | 367788-001               |
|             | 60-GB  | 367787-001               |
|             | 40-GB  | 367786-001               |

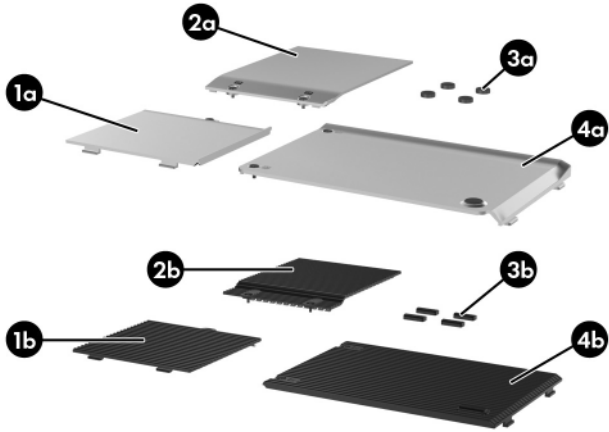


Computer Major Components, HP Pavilion dv1000

**Table 3-1****Spare Parts: Computer Major Components (Continued)**

| <b>Item</b> | <b>Description</b>  | <b>Spare Part Number</b>        |
|-------------|---|---------------------------------|
| 17          | <b>Mini PCI communications cards</b>                                |                                 |
|             | 802.11b/g Broadcom (for use in most of the world)                   | 373047-001                      |
|             | 802.11b/g Broadcom (for use in the rest of the world)               | 373048-001                      |
|             | 802.11b/g Broadcom (Japan, for use only on HP Compaq nx4800 models) | 373061-291                      |
|             | 802.11b Intel (for use in most of the world)                        | 373023-001                      |
|             | 802.11b Intel (for use in the rest of the world)                    | 373024-001                      |
|             | 802.11b/g Intel (for use in most of the world)                      | 373026-001                      |
|             | 802.11b/g Intel (for use in the rest of the world)                  | 373025-001                      |
|             | Bluetooth® Wireless LAN   | 376651-001<br>and<br>376652-001 |
| 18          | <b>Memory modules (266 MHz)</b>                                     |                                 |
|             | 1024-MB   | 367775-001                      |
|             | 512-MB  | 367774-001                      |
|             | 256-MB  | 367773-001                      |
|             | <b>Miscellaneous Plastics Kit</b>                                   |                                 |
|             | For use on HP Pavilion dv1000 models                                | 367765-001                      |
|             | For use on HP Compaq nx4800 and Compaq Presario V2000 models        | 367766-001                      |
|             | Includes:   |                                 |
| 19a         | Hard drive cover (includes two captive screws)                      |                                 |
| 19b         | Memory module compartment cover (includes 2 captive screws)         |                                 |
|             | Mini PCI compartment cover (includes 2 captive screws)              |                                 |
| 19c         | Computer feet (not illustrated)                                     |                                 |

### 3.3 Miscellaneous Plastics Kit



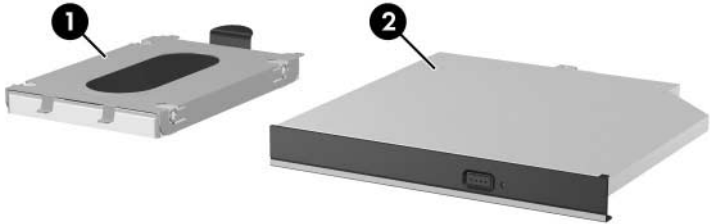
*Miscellaneous Plastics Kit*



**Table 3-2**  
**Miscellaneous Plastics Kit**  
**Spare Part Number Information**

| <b>Item</b>                       | <b>Description</b>  | <b>Spare Part Number</b> |
|-----------------------------------|---|--------------------------|
| <b>Miscellaneous Plastics Kit</b> |   |                          |
|                                   | For use on HP Pavilion dv1000 models                            | 367765-001               |
|                                   | Includes:   |                          |
| 1a                                | Mini PCI compartment cover                                      |                          |
| 2a                                | Memory module compartment cover                                 |                          |
| 3a                                | Computer feet   |                          |
| 4a                                | Hard drive cover  |                          |
|                                   | For use on HP Compaq nx4800 and<br>Compaq Presario V2000 models | 367766-001               |
|                                   | Includes:   |                          |
| 1b                                | Mini PCI compartment cover                                      |                          |
| 2b                                | Memory module compartment cover                                 |                          |
| 3b                                | Computer feet   |                          |
| 4b                                | Hard drive cover  |                          |

## 3.4 Mass Storage Devices



*Mass Storage Devices*

---

**Table 3-3**  
**Mass Storage Devices**  
**Spare Part Number Information**

---

| <b>Item</b> | <b>Description</b>                               | <b>Spare Part Number</b> |
|-------------|--|--------------------------|
| 1           | <b>Hard drives</b> (include frame and connector) |                          |
|             | 5400-rpm   |                          |
|             | 80-GB  | 377651-001               |
|             | 60-GB  | 375980-001               |

---

**Table 3-3**  
**Mass Storage Devices**  
**Spare Part Number Information (*Continued*)**

| Item                                  | Description   | Spare Part Number |
|---------------------------------------|---|-------------------|
| <b>Hard drives (<i>Continued</i>)</b> |   |                   |
|                                       | 4200-rpm  |                   |
|                                       | 100-GB  | 381721-001        |
|                                       | 80-GB   | 367788-001        |
|                                       | 60-GB   | 367787-001        |
|                                       | 40-GB   | 367786-001        |
| 2                                     | <b>Optical drives</b>   |                   |
|                                       | For use on HP Pavilion dv1000 models                            |                   |
|                                       | 8X DVD-ROM Drive  | 367789-001        |
|                                       | 24X DVD/CD-RW Combo Drive                                       | 367790-001        |
|                                       | 4X DVD+RW/R and CD-RW Combo Drive                               | 373625-001        |
|                                       | 4X DVD±RW/R and CD-RW Combo Drive                               | 375981-001        |
|                                       | 8X DVD±RW/R and CD-RW Combo Drive                               | 375983-001        |
|                                       | 8X DVD±RW/R and CD-RW Combo Drive,<br>LightScribe               | 383877-001        |
|                                       | 8X DVD±RW/R and CD-RW Dual Layer Combo Drive                    | 383896-001        |
|                                       | For use on HP Compaq nx4800 and Compaq Presario<br>V2000 models |                   |
|                                       | 8X DVD-ROM Drive  | 373524-001        |
|                                       | 24X DVD/CD-RW Combo Drive                                       | 373525-001        |
|                                       | 4X DVD+RW/R and CD-RW Combo Drive                               | 373626-001        |
|                                       | 4X DVD±RW/R and CD-RW Combo Drive                               | 375982-001        |
|                                       | 8X DVD±RW/R and CD-RW Combo Drive                               | 375984-001        |
|                                       | 8X DVD±RW/R and CD-RW Combo Drive,<br>LightScribe               | 383878-001        |
|                                       | 8X DVD±RW/R and CD-RW Dual Layer Combo Drive                    | 389897-001        |

---

**Table 3-3**  
**Mass Storage Devices**  
**Spare Part Number Information (*Continued*)**

---

| <b>Item</b> | <b>Description</b>                           | <b>Spare Part Number</b> |
|-------------|--|--------------------------|
|             | <b>USB diskette drive</b> (not illustrated)  | 359118-001               |
|             | <b>USB digital drive</b> (not illustrated)   | 364727-001               |
|             | <b>HP USB pocket drive</b> (not illustrated) | 338796-001               |

---

## 3.5 Miscellaneous

**Table 3-4**

**Spare Parts: Miscellaneous (not illustrated)**

| <b>Description</b>  | <b>Spare Part Number</b>   |
|---|--|
| <b>Logo Kits</b>  |  |
| For use on HP Pavilion dv1000 models  | 373058-001   |
| For use on HP Compaq nx4800 models  | 373530-001   |
| For use on Compaq Presario V2000 models   | 373059-001   |
| <b>Wired headset with volume control</b>  | 371693-001   |
| <b>Personal Video Recorder</b>  | 352950-001   |
| <b>HP remote control</b> (for use only on HP dv1000 computer models)  | 371694-001   |
| <b>USB travel mouse</b>   | 309674-001   |
| <b>65-watt AC adapter</b>   | 371790-001   |
| <b>Screw Kit</b> (includes the following screws; refer to <a href="#">Appendix C, "Screw Listing,"</a> for more information on screw specifications and usage)                                      |  |
| For use on HP Pavilion dv1000 models  | 367776-001   |
| For use on HP Compaq nx4800 and Compaq Presario V2000 models  | 373534-001   |
| <ul style="list-style-type: none"> <li>■ Phillips PM2.5×4.0 screw</li> <li>■ Phillips PM2.0×7.0 round head screw</li> <li>■ Phillips PM2.0×7.0 screw</li> <li>■ Phillips PM2.0×5.0 screw</li> </ul> | <ul style="list-style-type: none"> <li>■ Phillips PM2.0×4.0 screw</li> <li>■ Phillips PM2.0×3.0 screw</li> <li>■ Phillips PM1.5×2.0 screw</li> </ul> |

**Table 3-4**

**Spare Parts: Miscellaneous (not illustrated) (Continued)**

---

| <b>Description</b>  | <b>Spare Part Number</b> |
|---|--------------------------|
| <b>Power cords</b>  |                          |
| For use in:   |                          |
| Australia and New Zealand   | 373979-011               |
| Belgium, Europe, Finland, France, Germany, Greece, the Netherlands, Norway, Portugal, Spain, and Sweden | 373979-021               |
| Canada, French Canada, Latin America, Taiwan, Thailand, and the United States                           | 373979-001               |
| Denmark   | 373979-081               |
| Hong Kong and the United Kingdom  | 373979-031               |
| Israel  | 373979-BB1               |
| Italy   | 373979-061               |
| Japan   | 373979-291               |
| Korea   | 373979-AD1               |
| The People's Republic of China  | 373979-AA1               |
| Switzerland   | 373979-111               |
| Taiwan  | 373979-AB1               |

---

## 3.6 Sequential Part Number Listing

**Table 3-5**

**Spare Parts: Sequential Part Number Listing**

| <b>Spare Part Number</b> | <b>Description</b>  |
|--------------------------|---|
| 309674-001               | USB travel mouse  |
| 352950-001               | Personal Video Recorder   |
| 359118-001               | USB diskette drive  |
| 364727-001               | USB digital drive   |
| 367759-001               | Battery pack, 6-cell, 4.4-AHr   |
| 367760-001               | Battery pack, 12-cell, 8.8-AHr  |
| 367761-001               | Top cover for use on HP Pavilion dv1000 models (includes TouchPad)  |
| 367762-001               | Top cover for use on Compaq Presario V2000 models with a 1394 port, S-Video-out jack, expansion port, and Memory Reader (includes TouchPad) |
| 367763-001               | Base enclosure for use on HP Pavilion dv1000 models   |
| 367764-001               | Base enclosure for use on HP Compaq nx4800 and Compaq Presario V2000 models   |
| 367765-001               | Miscellaneous Plastics Kit for use on HP Pavilion dv1000 models   |
| 367766-001               | Miscellaneous Plastics Kit for use on HP Compaq nx4800 and Compaq Presario V2000 models   |
| 367767-001               | Processor, Intel Celeron M 330 (1.4-GHz) with 400-MHz FSB (includes thermal pad)  |
| 367768-001               | Processor, Intel Celeron M 340 (1.5-GHz) with 400-MHz FSB (includes thermal pad)  |
| 367771-001               | Processor, Intel Pentium M 725 (1.6-GHz) with 400-MHz FSB (includes thermal pad)  |

**Table 3-5**

**Spare Parts: Sequential Part Number Listing (*Continued*)**

| <b>Spare Part Number</b> | <b>Description</b>  |
|--------------------------|---|
| 367773-001               | Memory module, 256-MB (266 MHz)   |
| 367774-001               | Memory module, 512-MB (266 MHz)   |
| 367775-001               | Memory module, 1024-MB (266 MHz)  |
| 367776-001               | Screw Kit for use on HP Pavilion dv1000 models  |
| 367777-001               | Keyboard for use on Compaq Presario V2000 models in Asia Pacific, Australia, Hong Kong, People's Republic of China, and the United States |
| 367777-031               | Keyboard for use on Compaq Presario V2000 models in the United Kingdom  |
| 367777-051               | Keyboard for use on Compaq Presario V2000 models in France  |
| 367777-061               | Keyboard for use on Compaq Presario V2000 models in Italy   |
| 367777-071               | Keyboard for use on Compaq Presario V2000 models in Spain   |
| 367777-081               | Keyboard for use on Compaq Presario V2000 models in Denmark   |
| 367777-091               | Keyboard for use on Compaq Presario V2000 models in Norway  |
| 367777-121               | Keyboard for use on Compaq Presario V2000 models in French Canada   |
| 367777-161               | Keyboard for use on Compaq Presario V2000 models in Latin America   |
| 367777-281               | Keyboard for use on Compaq Presario V2000 models in Thailand  |
| 367777-291               | Keyboard for use on HP Compaq nx4800 computer models in Japan   |



**Table 3-5****Spare Parts: Sequential Part Number Listing (Continued)**

| <b>Spare Part Number</b> | <b>Description</b>   |
|--------------------------|--|
| 367777-331               | Keyboard for use on Compaq Presario V2000 models in the Netherlands  |
| 367777-AB1               | Keyboard for use on Compaq Presario V2000 models in Taiwan   |
| 367777-AD1               | Keyboard for use on Compaq Presario V2000 models in Korea  |
| 367777-B71               | Keyboard for use on Compaq Presario V2000 models in Sweden/Finland   |
| 367778-001               | Keyboard for use on HP Pavilion dv1000 models in Asia Pacific, Australia, Canada, Hong Kong, People's Republic of China, and the United States |
| 367778-031               | Keyboard for use on HP Pavilion dv1000 models in the United Kingdom  |
| 367778-041               | Keyboard for use on HP Pavilion dv1000 models in Germany   |
| 367778-051               | Keyboard for use on HP Pavilion dv1000 models in France  |
| 367778-061               | Keyboard for use on HP Pavilion dv1000 models in Italy   |
| 367778-071               | Keyboard for use on HP Pavilion dv1000 models in Spain   |
| 367778-081               | Keyboard for use on HP Pavilion dv1000 models in Denmark   |
| 367778-091               | Keyboard for use on HP Pavilion dv1000 models in Norway  |
| 367778-111               | Keyboard for use on HP Pavilion dv1000 models in Switzerland   |
| 367778-121               | Keyboard for use on HP Pavilion dv1000 models in French Canada   |
| 367778-131               | Keyboard for use on HP Pavilion dv1000 models in Portugal  |
| 367778-161               | Keyboard for use on HP Pavilion dv1000 models in Latin America   |

**Table 3-5**

**Spare Parts: Sequential Part Number Listing (*Continued*)**

| <b>Spare Part Number</b> | <b>Description</b>  |
|--------------------------|---|
| 367778-171               | Keyboard for use on HP Pavilion dv1000 models in Saudi Arabia   |
| 367778-281               | Keyboard for use on HP Pavilion dv1000 models in Thailand   |
| 367778-331               | Keyboard for use on HP Pavilion dv1000 models in Europe and the Netherlands   |
| 367778-A41               | Keyboard for use on HP Pavilion dv1000 models in Belgium  |
| 367778-AB1               | Keyboard for use on HP Pavilion dv1000 models in Taiwan   |
| 367778-AD1               | Keyboard for use on HP Pavilion dv1000 models in Korea  |
| 367778-B71               | Keyboard for use on HP Pavilion dv1000 models Finland and Sweden  |
| 367778-BB1               | Keyboard for use on HP Pavilion dv1000 models in Israel   |
| 367778-DJ1               | Keyboard for use on HP Pavilion dv1000 models in Greece   |
| 367779-001               | Switch cover for use on HP Compaq nx4800 and Compaq Presario V2000 models with a 1394 port, S-Video-out jack, expansion port, and Memory Reader without wireless capability |
| 367780-001               | Switch cover for use on HP Pavilion dv1000 models without wireless capability   |
| 367781-001               | Switch cover for use on HP Pavilion dv1000 models with wireless capability  |
| 367782-001               | Switch cover for use on HP Compaq nx4800 and Compaq Presario V2000 models with a 1394 port, S-Video-out jack, expansion port, and Memory Reader with wireless capability    |
| 367783-001               | Display assembly, 14.0-inch, WXGA for use on for use on HP Pavilion dv1000 models   |

**Table 3-5****Spare Parts: Sequential Part Number Listing (Continued)**

| <b>Spare Part Number</b> | <b>Description</b>   |
|--------------------------|--|
| 367784-001               | Display assembly, 14.0-inch, WXGA for use on Compaq Presario V2000 models  |
| 367786-001               | Hard drive, 60-GB, 4200-rpm (includes frame and connector)   |
| 367787-001               | Hard drive, 40-GB, 4200-rpm (includes frame and connector)   |
| 367788-001               | Hard drive, 80-GB, 4200-rpm (includes frame and connector)   |
| 367789-001               | 8X DVD-ROM Drive for use on HP Pavilion dv1000 models  |
| 367790-001               | 24X DVD/CD-RW Combo Drive for use on HP Pavilion dv1000 models   |
| 367793-001               | Speaker assembly for use on HP Pavilion dv1000 models  |
| 367794-001               | USB/S-Video controller board for use on HP Pavilion dv1000 models and HP Compaq nx4800 and Compaq Presario V2000 models with a 1394 port, S-Video-out jack, expansion port, and digital memory card reader |
| 367795-001               | Fan (includes thermal pad)   |
| 367796-001               | Heat sink (includes thermal pad)   |
| 367797-001               | LED board for use on HP Pavilion dv1000 models (includes cable)  |
| 367798-001               | LED board for use on HP Compaq nx4800 and Compaq Presario V2000 models (includes cable)  |
| 367799-001               | System board for use on HP Pavilion dv1000 models with Intel Pentium M processors  |
| 367800-001               | System board for use on HP Pavilion dv1000 models with Intel Celeron M processors  |
| 371693-001               | Wired headset with volume control  |

**Table 3-5**

**Spare Parts: Sequential Part Number Listing (*Continued*)**

| <b>Spare Part Number</b> | <b>Description</b>   |
|--------------------------|--|
| 371694-001               | HP remote control (for use only on HP dv1000 computer models)                                  |
| 371790-001               | 65-watt AC adapter   |
| 373023-001               | Mini PCI communications card, 802.11b Intel (for use in most of the world)                     |
| 373024-001               | Mini PCI communications card, 802.11b Intel (for use in the rest of the world)                 |
| 373025-001               | Mini PCI communications card, 802.11b/g Intel (for use in the rest of the world)               |
| 373026-001               | Mini PCI communications card, 802.11b/g Intel (for use in most of the world)                   |
| 373047-001               | Mini PCI communications card, 802.11b/g Broadcom (for use in most of the world)                |
| 373048-001               | Mini PCI communications card, 802.11b/g Broadcom (for use in the rest of the world)            |
| 373052-001               | Processor, Intel Pentium M 735 (1.7-GHz) with 400-MHz FSB (includes thermal pad)               |
| 373053-001               | Processor, Intel Pentium M 745 (1.8-GHz) with 400-MHz FSB (includes thermal pad)               |
| 373054-001               | Display assembly, 14.0-inch, WXGA, SVA with Brightview for use on HP Pavilion dv1000 models    |
| 373055-001               | Display assembly, 14.0-inch, WXGA, SVA with Brightview for use on Compaq Presario V2000 models |
| 373058-001               | Logo Kit for use on HP Pavilion dv1000 models  |
| 373059-001               | Logo Kit for use on Compaq Presario V2000 models   |
| 373060-001               | Display assembly, 14.0-inch, WXGA, SVA with Brightview for use on HP Compaq nx4800 models      |

**Table 3-5****Spare Parts: Sequential Part Number Listing (Continued)**

| <b>Spare Part Number</b> | <b>Description</b>   |
|--------------------------|--|
| 373061-001               | Mini PCI communications card, 802.11b/g Broadcomm (Japan)  |
| 373522-001               | System board for use on HP Compaq nx4800 and Compaq Presario V2000 models with Intel Pentium M processors  |
| 373523-001               | System board for use on Compaq Presario V2000 models with Intel Celeron M processors   |
| 373524-001               | 8X DVD-ROM Drive for use on HP Compaq nx4800 and Compaq Presario V2000 models  |
| 373525-001               | 24X DVD/CD-RW Combo Drive for use on HP Compaq nx4800 and Compaq Presario V2000 models   |
| 373528-001               | Display assembly, 14.0-inch, WXGA, SVA for use on HP Compaq nx4800 models  |
| 373529-001               | Top cover for use on HP Compaq nx4800 models (includes TouchPad)   |
| 373530-001               | Logo Kit for use on HP Compaq nx4800 models  |
| 373531-001               | Top cover for use on Compaq Presario V2000 models without a 1394 port, S-Video-out jack, expansion port, and Memory Reader (includes TouchPad)     |
| 373532-001               | Switch cover for use on Compaq Presario V2000 models without wireless (includes wireless button and light)   |
| 373533-001               | USB/S-Video controller board for use only on Compaq Presario V2000 models without a 1394 port, S-Video-out jack, expansion port, and Memory Reader |
| 373534-001               | Screw Kit for use on HP Compaq nx4800 and Compaq Presario V2000 models   |
| 373535-001               | Menu control button board (includes bracket and cable, for use only on HP Pavilion dv1000 computer models)   |

**Table 3-5**

**Spare Parts: Sequential Part Number Listing (*Continued*)**

| <b>Spare Part Number</b> | <b>Description</b>  |
|--------------------------|---|
| 373625-001               | 4X DVD+RW/R and CD-RW Combo Drive for use on HP Pavilion dv1000 models  |
| 373626-001               | 4X DVD+RW/R and CD-RW Combo Drive for use on Compaq Presario V2000 models   |
| 373979-001               | Power cord for use in Canada, French Canada, Latin America, Taiwan, Thailand, and the United States                           |
| 373979-011               | Power cord for use in Australia and New Zealand   |
| 373979-021               | Power cord for use in Belgium, Europe, Finland, France, Germany, Greece, the Netherlands, Norway, Portugal, Spain, and Sweden |
| 373979-031               | Power cord for use in Australia, Hong Kong, New Zealand, and the United Kingdom   |
| 373979-061               | Power cord for use in Italy   |
| 373979-081               | Power cord for use in Denmark   |
| 373979-111               | Power cord for use in Switzerland   |
| 373979-291               | Power cord for use in Japan   |
| 373979-AA1               | Power cord for use in People's Republic of China  |
| 373979-AB1               | Power cord for use in Taiwan  |
| 373979-AD1               | Power cord for use in Korea   |
| 373979-BB1               | Power cord for use in Israel  |
| 374625-001               | Speaker assembly for use on HP Compaq nx4800 and Compaq Presario V2000 models   |
| 375979-001               | Processor, Intel Pentium M 710 (1.4-GHz) with 400-MHz FSB (includes thermal pad)  |
| 375980-001               | Hard drive, 60-GB, 5400-rpm (includes frame and connector)  |

**Table 3-5****Spare Parts: Sequential Part Number Listing (Continued)**

| <b>Spare Part Number</b> | <b>Description</b>  |
|--------------------------|---|
| 375981-001               | 4X DVD±RW/R and CD-RW Combo Drive for use on HP Pavilion dv1000 models                            |
| 375982-001               | 4X DVD±RW/R and CD-RW Combo Drive for use on Compaq Presario V2000 models                         |
| 375983-001               | 8X DVD±RW/R and CD-RW Combo Drive for use on HP Pavilion dv1000 models                            |
| 375984-001               | 8X DVD±RW/R and CD-RW Combo Drive for use on Compaq Presario V2000 models                         |
| 376588-001               | Processor, Intel Pentium 705 (1.5-GHz) with 400-MHz FSB (includes thermal pad)                    |
| 376651-001               | Mini PCI communications card, Bluetooth Wireless LAN  |
| 376652-001               | Mini PCI communications card, Bluetooth Wireless LAN  |
| 377651-001               | Hard drive, 80-GB, 5400-rpm (includes frame and connector)  |
| 380032-001               | Processor, Intel Celeron M 350 (1.3-GHz) with 400-MHz FSB (includes thermal pad)                  |
| 380033-001               | Processor, Intel Celeron M 360 (1.4-GHz) with 400-MHz FSB (includes thermal pad)                  |
| 380690-001               | Processor, Intel Pentium M 715A (1.5-GHz) with 400-MHz FSB (includes thermal pad)                 |
| 381062-001               | 855 system board for use on full-featured HP Pavilion dv1000 models in countries other than Japan |
| 381063-001               | 852GM system board for use on full-featured HP Pavilion dv1000 models in Japan                    |
| 381721-001               | Hard drive, 100-GB, 4200-rpm (includes frame and connector)                                       |
| 382077-001               | Left and right display hinge covers and brackets for use on HP Pavilion dv1000 models             |

**Table 3-5**

**Spare Parts: Sequential Part Number Listing (*Continued*)**

| <b>Spare Part Number</b> | <b>Description</b>  |
|--------------------------|---|
| 382078-001               | Left and right display hinge covers and brackets for use on HP Compaq nx4800 and Compaq Presario models |
| 383431-001               | Processor, Intel Pentium M 715 (1.5-GHz) with 400-MHz FSB (includes thermal pad)                        |
| 385869-001               | PC Card assembly, silver, with 1-dot PC Card eject button   |
| 383876-001               | Processor, Intel Celeron M 370 (1.5-GHz) with 400-MHz FSB (includes thermal pad)                        |
| 383877-001               | 8X DVD±RW/R and CD-RW Combo Drive, LightScribe, for use on HP Pavilion dv1000 models                    |
| 383878-001               | 8X DVD±RW/R and CD-RW Combo Drive, LightScribe, for use on Compaq Presario V2000 models                 |
| 389524-001               | PC Card assembly, black, with 3-dot PC Card eject button  |
| 389525-001               | PC Card assembly, black, with 1-dot PC Card eject button  |
| 389896-001               | 8X DVD±RW/R and CD-RW Dual Layer Combo Drive for use on HP Pavilion dv1000 models                       |
| 389897-001               | 8X DVD±RW/R and CD-RW Dual Layer Combo Drive for use on Compaq Presario V2000 models                    |
| 391884-001               | 855 system board for use on full-featured HP Pavilion dv1000 models in Japan                            |
| 394186-001               | EMI Gasket Kit for use on all models  |
| 395825-001               | Processor, Intel Pentium M 725A (1.6-GHz) with 400-MHz FSB (includes thermal pad)                       |
| 398065-001               | 6-cell, 4.0-AhR battery pack  |



---

# Removal and Replacement Preliminaries

This chapter provides essential information for proper and safe removal and replacement service.

## 4.1 Tools Required

You will need the following tools to complete the removal and replacement procedures:

- Magnetic screwdriver
- Phillips P0 screwdriver
- 5.0-mm socket for system board screwlocks
- Flat-bladed screwdriver
- Tool kit—includes connector removal tool, loopback plugs, and case utility tool

## 4.2 Service Considerations

The following sections include some of the considerations that you should keep in mind during disassembly and assembly procedures.



---

As you remove each subassembly from the computer, place the subassembly (and all accompanying screws) away from the work area to prevent damage.

---

## Plastic Parts

Using excessive force during disassembly and reassembly can damage plastic parts. Use care when handling the plastic parts. Apply pressure only at the points designated in the maintenance instructions.

## Cables and Connectors



**CAUTION:** When servicing the computer, ensure that cables are placed in their proper locations during the reassembly process. Improper cable placement can damage the computer.

---

Cables must be handled with extreme care to avoid damage. Apply only the tension required to unseat or seat the cables during removal and insertion. Handle cables by the connector whenever possible. In all cases, avoid bending, twisting, or tearing cables. Ensure that cables are routed in such a way that they cannot be caught or snagged by parts being removed or replaced. Handle flex cables with extreme care; these cables tear easily.

## 4.3 Preventing Damage to Removable Drives

Removable drives are fragile components that must be handled with care. To prevent damage to the computer, damage to a removable drive, or loss of information, observe the following precautions:

- Before removing or inserting a hard drive, shut down the computer. If you are unsure whether the computer is off or in Hibernation, turn the computer on, and then shut it down through the operating system.
- Before removing a diskette drive or optical drive, ensure that a diskette or disc is not in the drive and ensure that the optical drive tray is closed.

- Before handling a drive, ensure that you are discharged of static electricity. While handling a drive, avoid touching the connector.
- Handle drives on surfaces covered with at least one inch of shock-proof foam.
- Avoid dropping drives from any height onto any surface.
- After removing a hard drive, CD-ROM drive, or a diskette drive, place it in a static-proof bag.
- Avoid exposing a hard drive to products that have magnetic fields, such as monitors or speakers.
- Avoid exposing a drive to temperature extremes or liquids.
- If a drive must be mailed, place the drive in a bubble pack mailer or other suitable form of protective packaging and label the package, "FRAGILE: Handle With Care."

## 4.4 Preventing Electrostatic Damage

Many electronic components are sensitive to electrostatic discharge (ESD). Circuitry design and structure determine the degree of sensitivity. Networks built into many integrated circuits provide some protection, but in many cases, the discharge contains enough power to alter device parameters or melt silicon junctions.

A sudden discharge of static electricity from a finger or other conductor can destroy static-sensitive devices or microcircuitry. Often the spark is neither felt nor heard, but damage occurs.

An electronic device exposed to electrostatic discharge might not be affected at all and can work perfectly throughout a normal cycle. Or the device might function normally for a while, then degrade in the internal layers, reducing its life expectancy.

## 4.5 Packaging and Transporting Precautions

Use the following grounding precautions when packaging and transporting equipment:

- To avoid hand contact, transport products in static-safe containers, such as tubes, bags, or boxes.
- Protect all electrostatic-sensitive parts and assemblies with conductive or approved containers or packaging.
- Keep electrostatic-sensitive parts in their containers until the parts arrive at static-free workstations.
- Place items on a grounded surface before removing items from their containers.
- Always be properly grounded when touching a sensitive component or assembly.
- Store reusable electrostatic-sensitive parts from assemblies in protective packaging or nonconductive foam.
- Use transporters and conveyors made of antistatic belts and roller bushings. Ensure that mechanized equipment used for moving materials is wired to ground and that proper materials are selected to avoid static charging. When grounding is not possible, use an ionizer to dissipate electric charges.

## 4.6 Workstation Precautions

Use the following grounding precautions at workstations:

- Cover the workstation with approved static-shielding material (refer to [Table 4-2, “Static-Shielding Materials”](#)).
- Use a wrist strap connected to a properly grounded work surface and use properly grounded tools and equipment.
- Use conductive field service tools, such as cutters, screwdrivers, and vacuums.
- When using fixtures that must directly contact dissipative surfaces, only use fixtures made of static-safe materials.
- Keep the work area free of nonconductive materials, such as ordinary plastic assembly aids and Styrofoam.
- Handle electrostatic-sensitive components, parts, and assemblies by the case or PCM laminate. Handle these items only at static-free workstations.
- Avoid contact with pins, leads, or circuitry.
- Turn off power and input signals before inserting or removing connectors or test equipment.

## 4.7 Grounding Equipment and Methods

Grounding equipment must include either a wrist strap or a foot strap at a grounded workstation.

- When seated, wear a wrist strap connected to a grounded system. Wrist straps are flexible straps with a minimum of one megohm  $\pm 10\%$  resistance in the ground cords. To provide proper ground, wear a strap snugly against the skin at all times. On grounded mats with banana-plug connectors, use alligator clips to connect a wrist strap.
- When standing, use foot straps and a grounded floor mat. Foot straps (heel, toe, or boot straps) can be used at standing workstations and are compatible with most types of shoes or boots. On conductive floors or dissipative floor mats, use foot straps on both feet with a minimum of one megohm resistance between the operator and ground. To be effective, the conductive strips must be worn in contact with the skin.

Other grounding equipment recommended for use in preventing electrostatic damage includes:

- Antistatic tape
- Antistatic smocks, aprons, and sleeve protectors
- Conductive bins and other assembly or soldering aids
- Nonconductive foam
- Conductive tabletop workstations with ground cords of one megohm resistance
- Static-dissipative tables or floor mats with hard ties to the ground
- Field service kits
- Static awareness labels
- Material-handling packages
- Nonconductive plastic bags, tubes, or boxes
- Metal tote boxes
- Electrostatic voltage levels and protective materials

Table 4-1 shows how humidity affects the electrostatic voltage levels generated by different activities.

**Table 4-1**  
**Typical Electrostatic Voltage Levels**

| Event                           | Relative Humidity |          |         |
|---------------------------------|-------------------|----------|---------|
|                                 | 10%               | 40%      | 55%     |
| Walking across carpet           | 35,000 V          | 15,000 V | 7,500 V |
| Walking across vinyl floor      | 12,000 V          | 5,000 V  | 3,000 V |
| Motions of bench worker         | 6,000 V           | 800 V    | 400 V   |
| Removing DIPS from plastic tube | 2,000 V           | 700 V    | 400 V   |
| Removing DIPS from vinyl tray   | 11,500 V          | 4,000 V  | 2,000 V |
| Removing DIPS from Styrofoam    | 14,500 V          | 5,000 V  | 3,500 V |
| Removing bubble pack from PCB   | 26,500 V          | 20,000 V | 7,000 V |
| Packing PCBs in foam-lined box  | 21,000 V          | 11,000 V | 5,000 V |



A product can be degraded by as little as 700 V.

Table 4-2 lists the shielding protection provided by antistatic bags and floor mats.

**Table 4-2**  
**Static-Shielding Materials**

| Material              | Use        | Voltage Protection Level |
|-----------------------|------------|--------------------------|
| Antistatic plastic    | Bags       | 1,500 V                  |
| Carbon-loaded plastic | Floor mats | 7,500 V                  |
| Metallized laminate   | Floor mats | 5,000 V                  |

# 5

---

## Removal and Replacement Procedures

This chapter provides removal and replacement procedures.

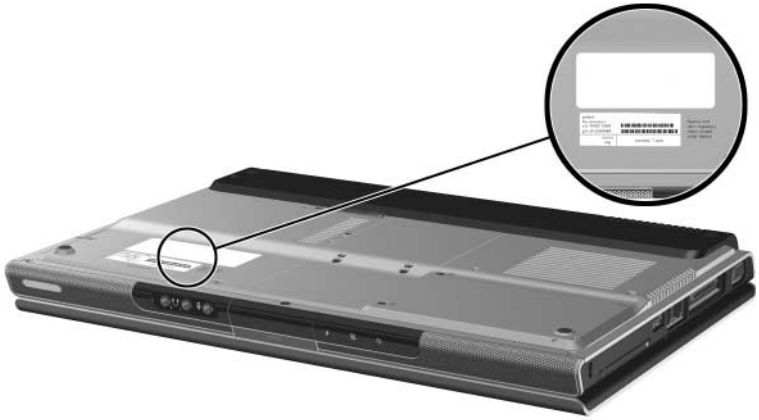
There are as many as 58 screws, in 7 different sizes and types, that may need to be removed, replaced, or loosened when servicing the computer. Make special note of each screw size and location during removal and replacement.

Refer to [Appendix C, “Screw Listing,”](#) for detailed information on screw sizes, locations, and usage.



## 5.1 Serial Number

Report the computer serial number to HP when requesting information or ordering spare parts. The serial number is located on the bottom of the computer.




*Serial Number Location*

## 5.2 Disassembly Sequence Chart

Use the chart below to determine the section number to be referenced when removing computer components.

**Disassembly Sequence Chart**

| Section | Description  | # of Screws Removed   |
|---------|--|---|
| 5.3     | Preparing the Computer for Disassembly<br>Battery pack   | 0   |
| 5.4     | Hard Drive   | 2 to remove hard drive<br>4 to disassemble hard drive                       |
| 5.5     | Computer Feet  | 0   |
| 5.6     | Memory Module  | 2 loosened  |
| 5.7     | Mini PCI Communications Card   | 1 loosened  |
|         |  To prevent an unresponsive system and the display of a warning message, install only a Mini PCI device authorized for use in the computer by the governmental agency that regulates wireless devices in your country. If you install a device and then receive a warning message, remove the device to restore computer functionality. Then contact Customer Care. |   |
| 5.8     | Optical Drive  | 1   |
| 5.9     | Switch Cover   | HP Pavilion dv1000 = 3<br>HP Compaq nx4800 and<br>Compaq Presario V2000 = 2 |
| 5.10    | Keyboard   | HP Pavilion dv1000 = 2<br>HP Compaq nx4800 and<br>Compaq Presario V2000 = 4 |

---

### Disassembly Sequence Chart (*Continued*)

---

| Section | Description                  | # of Screws Removed   |
|---------|------------------------------|---|
| 5.11    | Display Assembly             | 4   |
| 5.12    | Base Enclosure               | HP Pavilion dv1000 = 19<br>HP Compaq nx4800 and<br>Compaq Presario V2000 = 18 |
| 5.13    | USB/S-Video Controller Board | 2   |
| 5.14    | Speaker Assembly             | 0   |
| 5.15    | RTC Battery                  | 0   |
| 5.16    | Menu Control Button Board    | 4   |
| 5.17    | Heat Sink                    | 3   |
| 5.18    | Fan                          | 2   |
| 5.19    | Processor                    | 0   |
| 5.20    | System Board                 | 4   |
| 5.21    | LED Board                    | HP Pavilion dv1000 = 3<br>HP Compaq nx4800 and<br>Compaq Presario V2000 = 2   |

---

## 5.3 Preparing the Computer for Disassembly

Before you begin any removal or installation procedures:

1. Shut down the computer. If you are unsure whether the computer is off or in Hibernation, turn the computer on, and then shut it down through the operating system.
2. Disconnect all external devices connected to the computer.
3. Disconnect the power cord.

---

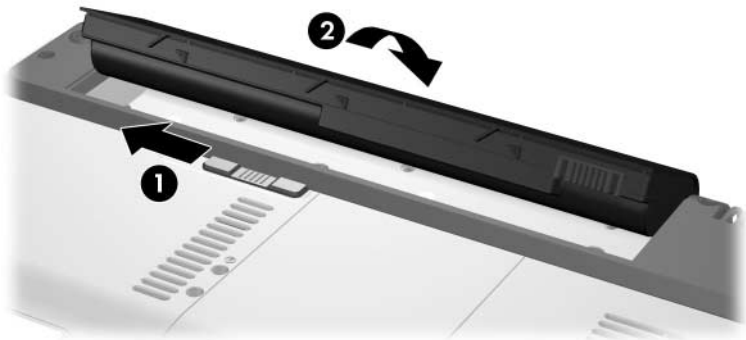
### Battery Pack Spare Part Number Information

---

|                  |            |
|------------------|------------|
| 12-cell, 8.8-AHr | 367760-001 |
| 6-cell, 4.4-AHr  | 367759-001 |
| 6-cell, 4.0-AHr  | 398065-001 |

---

4. Remove the battery pack by following these steps:
  - a. Turn the computer upside down with the front panel toward you.
  - b. Slide and hold the battery release latch ❶ to the left. (The front edge of the battery pack disengages from the computer.)
  - c. Lift the front edge of the battery pack ❷ and swing it back.
  - d. Remove the battery pack.



*Removing the Battery Pack*

Reverse the above procedure to install the battery pack.

## 5.4 Hard Drive

---

### Hard Drive Spare Part Number Information

---

|          |            |
|----------|------------|
| 5400-rpm |            |
| 80-GB    | 377651-001 |
| 60-GB    | 375980-001 |
| 4200-rpm |            |
| 100-GB   | 381721-001 |
| 80-GB    | 367788-001 |
| 60-GB    | 367787-001 |
| 40-GB    | 367786-001 |

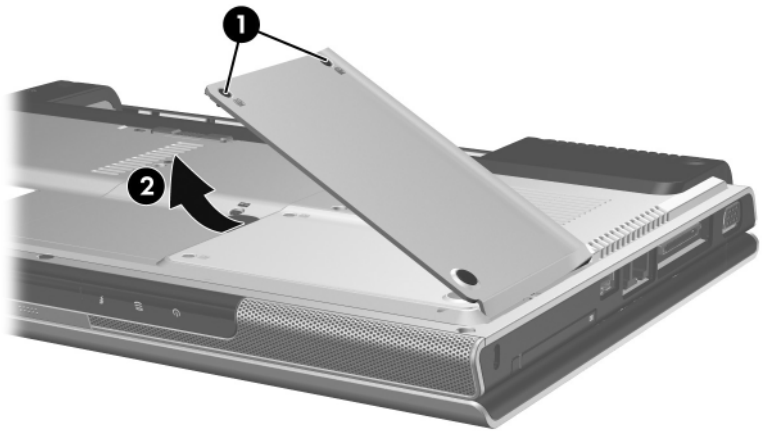
---

1. Loosen the two PM2.0×5.0 screws **1** that secure the hard drive cover to the computer.
2. Lift the left side of the cover **2** and swing it to the right.
3. Remove the hard drive cover.



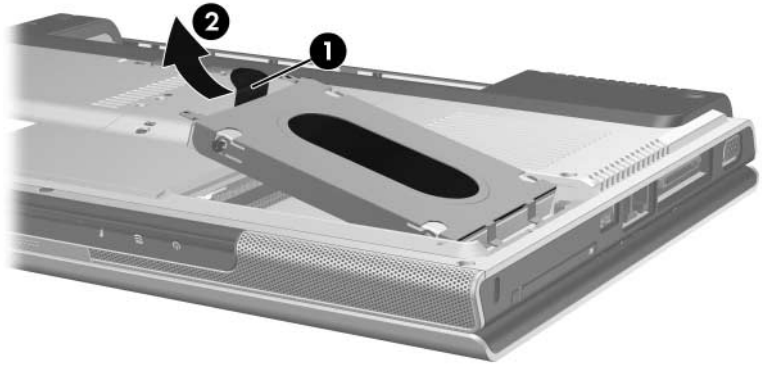
The hard drive cover is included in the Miscellaneous Plastics Kits, spare part numbers 367765-001 (for use on HP Pavilion dv1000 models) and 367766-001 (for use on HP Compaq nx4800 and Compaq Presario V2000 models).

---



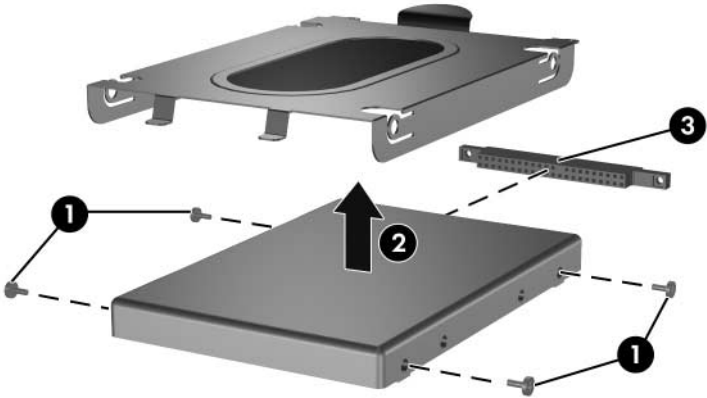
*Removing the Hard Drive Cover*

4. Grasp the mylar tab **1** on the left side of the hard drive and lift the hard drive **2** until it disconnects from the computer.
5. Slide the hard drive to the left and remove it from the hard drive bay.



*Removing the Hard Drive*

6. Remove the four PM2.5×4.0 screws **1** that secure the hard drive frame to the hard drive.
7. Lift the frame **2** to remove it from the hard drive.
8. Slide the hard drive connector **3** off the hard drive.



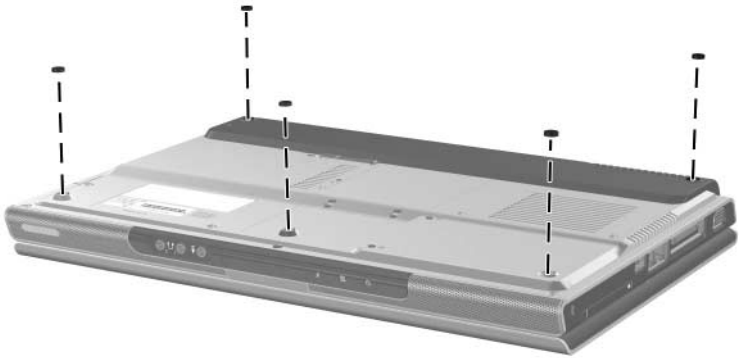
*Removing the Hard Drive Frame and Connector*

Reverse the above procedure to install and reassemble the hard drive.



## 5.5 Computer Feet

The computer feet are adhesive-backed rubber pads. The feet are included in the Miscellaneous Plastics Kits, spare part numbers 367765-001 (for use on HP Pavilion dv1000 models) and 367766-001 (for use on HP Compaq nx4800 and Compaq Presario V2000 models). The feet attach to the base enclosure as illustrated below.



*Replacing the Computer Feet*

## 5.6 Memory Module

---

### Memory Module Spare Part Number Information

---

|         |            |
|---------|------------|
| 1024-MB | 367775-001 |
| 512-MB  | 367774-001 |
| 256-MB  | 367773-001 |

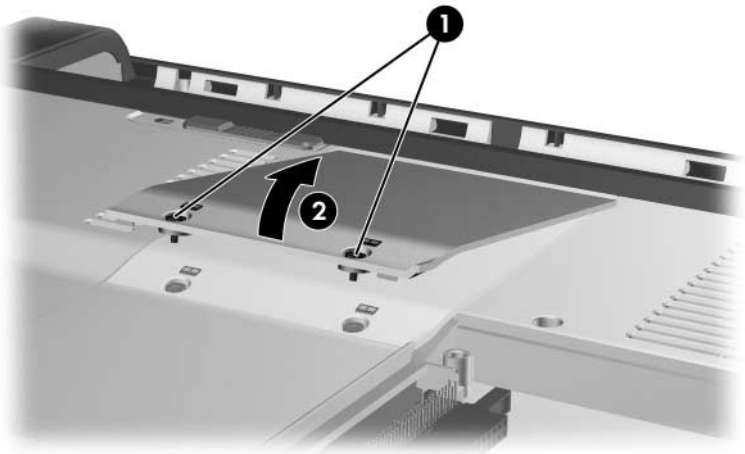
---

1. Prepare the computer for disassembly (refer to [Section 5.3](#)).
2. Loosen the two PM2.0x5.0 screws **1** that secure the memory module compartment cover to the computer.
3. Lift the front edge of the memory module compartment cover **2** and swing it back.
4. Remove the memory module compartment cover.



The memory module compartment cover is included in the Miscellaneous Plastics Kits, spare part numbers 367765-001 (for use on HP Pavilion dv1000 models) and 367766-001 (for use on HP Compaq nx4800 and Compaq Presario V2000 models).

---



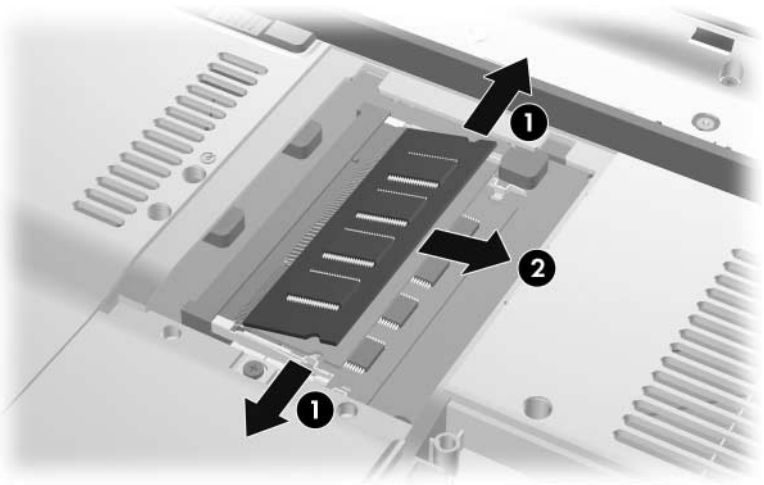
*Removing the Memory Module Compartment Cover*

5. Spread the retaining tabs **1** on each side of the memory module socket to release the memory module. (The right side of the module rises away from the computer.)
6. Slide the module **2** away from the socket at an angle.



Memory modules are designed with slots to prevent incorrect installation into the memory module socket.

---



### *Removing the Memory Module*

Reverse the above procedure to install a memory module.

## 5.7 Mini PCI Communications Card

---

### Mini PCI Communications Card

#### Spare Part Number Information

---

|   |                                 |
|---|---------------------------------|
| 802.11b/g Broadcom (for use in most of the world)                   | 373047-001                      |
| 802.11b/g Broadcom (for use in the rest of the world)               | 373048-001                      |
| 802.11b/g Broadcom (Japan, for use only on HP Compaq nx4800 models) | 373061-291                      |
| 802.11b Intel (for use in most of the world)                        | 373023-001                      |
| 802.11b Intel (for use in the rest of the world)                    | 373024-001                      |
| 802.11b/g Intel (for use in most of the world)                      | 373026-001                      |
| 802.11b/g Intel (for use in the rest of the world)                  | 373025-001                      |
| Bluetooth Wireless LAN  | 376651-001<br>and<br>376652-001 |

---

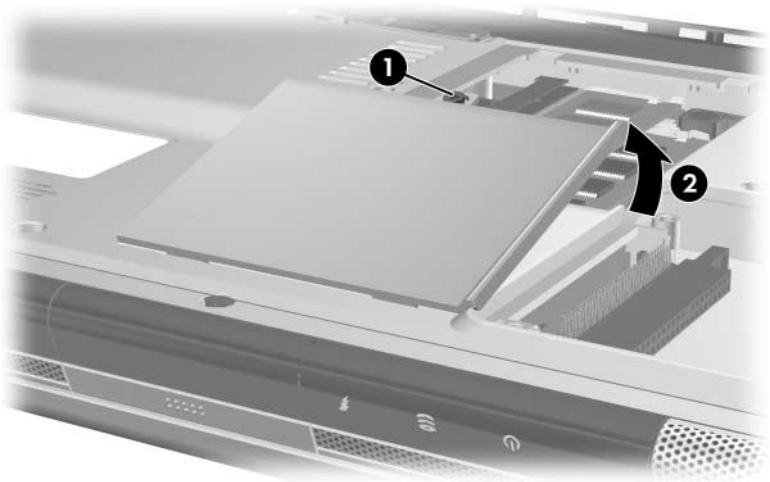
1. Prepare the computer for disassembly ([Section 5.3](#)).

2. Loosen the PM2.0×5.0 screw **1** that secures the Mini PCI compartment cover to the computer.
3. Lift the rear edge of the Mini PCI compartment cover **2**, and then swing it forward.
4. Remove the Mini PCI compartment cover.



The Mini PCI compartment cover is included in the Miscellaneous Plastics Kits, spare part numbers 367765-001 (for use on HP Pavilion dv1000 models) and 367766-001 (for use on HP Compaq nx4800 and Compaq Presario V2000 models).

---

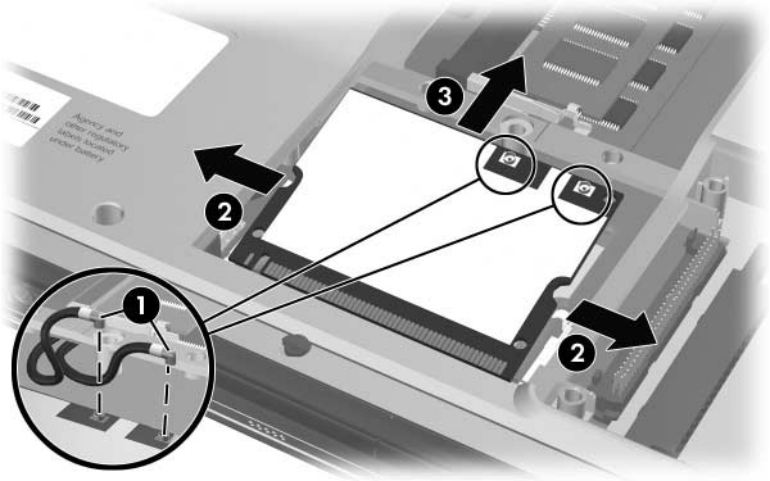


*Removing the Mini PCI Compartment Cover*



Make note of which wireless antenna cable is attached to which antenna clip on the Mini PCI communications card before disconnecting the cables.

5. Disconnect the wireless antenna cables **1** from the Mini PCI communications card.
6. Spread the two retaining tabs **2** that secure the Mini PCI communications card to the communications compartment socket. (The board rises up).
7. Remove the wireless communications card **3** by pulling the board away from the socket at a 45-degree angle.



*Removing a Mini PCI Communications Card*

Reverse the above procedure to install a Mini PCI communications card.

## 5.8 Optical Drive

---

### Optical Drive Spare Part Number Information

---

For use on HP Pavilion dv1000 models

|  |            |
|--|------------|
| 8X DVD-ROM Drive                               | 367789-001 |
| 24X DVD/CD-RW Combo Drive                      | 367790-001 |
| 4X DVD+RW/R and CD-RW Combo Drive              | 373625-001 |
| 4X DVD±RW/R and CD-RW Combo Drive              | 375981-001 |
| 8X DVD±RW/R and CD-RW Combo Drive              | 375983-001 |
| 8X DVD±RW/R and CD-RW Combo Drive, LightScribe | 383877-001 |
| 8X DVD±RW/R and CD-RW Dual Layer Combo Drive   | 383896-001 |

---

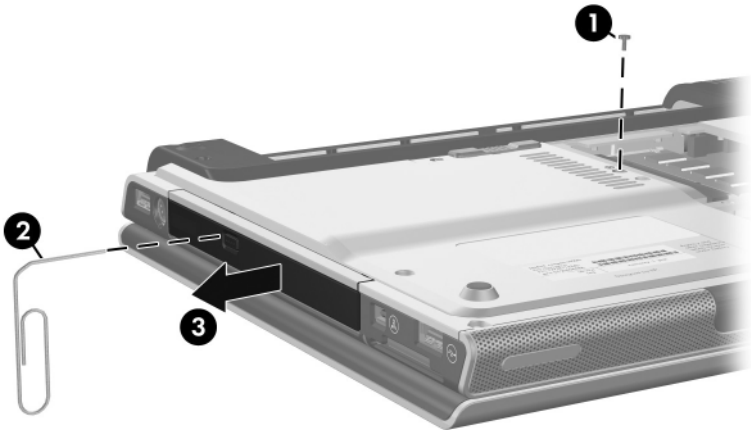
For use on HP Compaq nx4800 and Compaq Presario V2000 models

|  |            |
|--|------------|
| 8X DVD-ROM Drive                               | 373524-001 |
| 24X DVD/CD-RW Combo Drive                      | 373525-001 |
| 4X DVD+RW/R and CD-RW Combo Drive              | 373626-001 |
| 4X DVD±RW/R and CD-RW Combo Drive              | 375982-001 |
| 8X DVD±RW/R and CD-RW Combo Drive              | 375984-001 |
| 8X DVD±RW/R and CD-RW Combo Drive, LightScribe | 383878-001 |
| 8X DVD±RW/R and CD-RW Dual Layer Combo Drive   | 389897-001 |

---

1. Prepare the computer for disassembly ([Section 5.3](#)).

2. Remove the PM2.0x7.0 screw **1** that secures the optical drive to the computer.
3. Insert a thin tool, such as a paper clip, into the media tray release hole **2**. (The optical drive media tray releases from the optical drive.)
4. Use the media tray frame to slide the optical drive **3** out of the computer.
5. Remove the optical drive.



### *Removing the Optical Drive*

Reverse the above procedure to install an optical drive.



## 5.9 Switch Cover

---

### Switch Cover Spare Part Number Information

---

|  |            |
|--|------------|
| For use on HP Pavilion dv1000 models with wireless capability  | 367781-001 |
| For use on HP Pavilion dv1000 models without wireless capability   | 367780-001 |
| For use on HP Compaq nx4800 and Compaq Presario V2000 models with a 1394 port, S-Video-out jack, expansion port, and Memory Reader with wireless capability    | 367782-001 |
| For use on HP Compaq nx4800 and Compaq Presario V2000 models with a 1394 port, S-Video-out jack, expansion port, and Memory Reader without wireless capability | 367779-001 |
| For use on Compaq Presario V2000 models without a 1394 port, S-Video-out jack, expansion port, and Memory Reader   | 373532-001 |

---

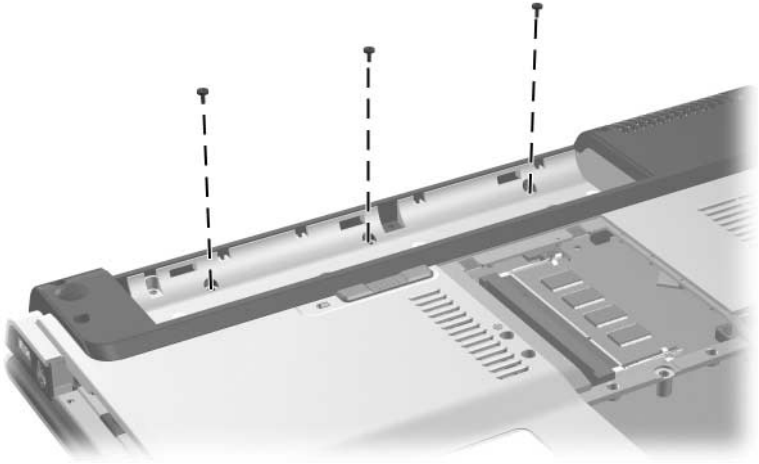
1. Prepare the computer for disassembly ([Section 5.3](#)).
2. Position the computer with the rear panel toward you.



Steps 3 through 9 apply only to HP Pavilion dv1000 models. See steps 10 through 14 in this section for information on removing the switch cover on HP Compaq nx4800 and Compaq Presario V2000 models.

---

3. Remove the three PM2.0x4.0 screws that secure the switch cover to the computer.



*Removing the Switch Cover Screws, HP Pavilion dv1000 models Only*

4. Turn the computer display-side up with the front panel toward you.
5. Open the computer as far as possible.
6. Insert a flat-blade screwdriver **1** under the outside edges of the display hinge covers.
7. Lift the outside edges of the hinge covers **2** until the switch cover disengages from the computer.



*Releasing the Switch Cover, HP Pavilion dv1000 models Only*

8. Swing the rear edge of the switch cover forward.



*Removing the Switch Cover, HP Pavilion dv1000 models Only*

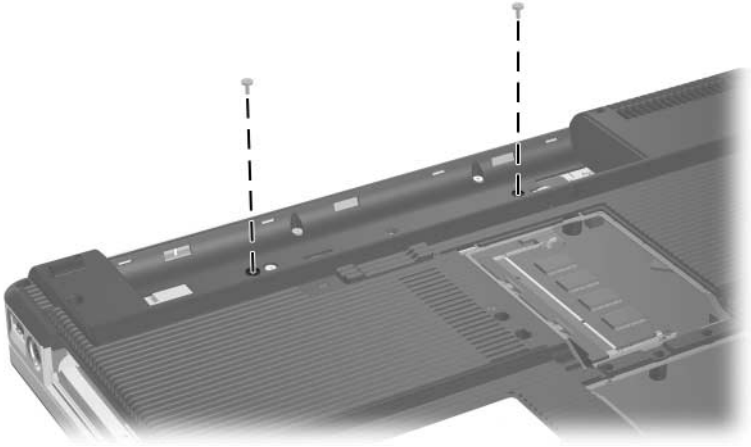
9. Remove the switch cover.



Steps 10 through 14 apply only to HP Compaq nx4800 and Compaq Presario V2000 models.

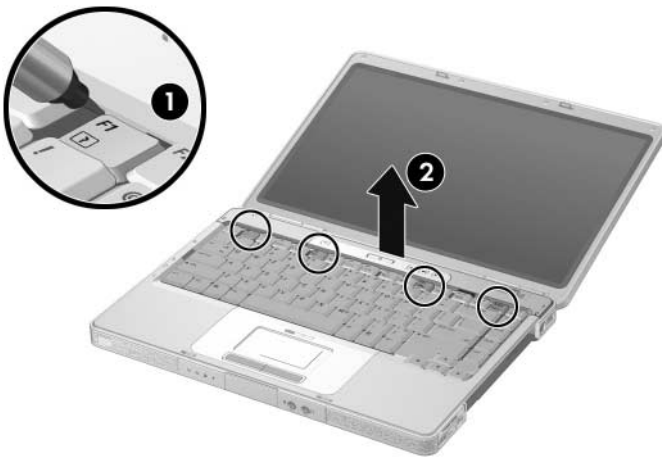
---

10. Remove the two PM2.0×4.0 screws that secure the switch cover to the computer.



*Removing the Switch Cover Screws, HP Compaq nx4800 and Compaq Presario V2000 models Only*

11. Turn the computer display-side up with the front panel toward you.
12. Open the computer as far as possible.
13. Insert a flat-blade screwdriver into the slots located behind the **F1**, **F5**, **F11**, and **insert** keys **1** and lift the front edge of the switch cover **2** until it disengages from the computer.
14. Remove the switch cover.



*Removing the Switch Cover, HP Compaq nx4800 and  
Compaq Presario V2000 models Only*

Reverse the above procedure to install the switch cover.

## 5.10 Keyboard

---

### Keyboard Spare Part Number Information

---

For use on HP Pavilion dv1000 models in:

|  |            |                               |            |
|--|------------|-------------------------------|------------|
| Asia Pacific,<br>Australia, Hong<br>Kong, the People's<br>Republic of China,<br>and the United<br>States | 367778-001 | Korea                         | 367778-AD1 |
| Belgium  | 367778-A41 | Latin America                 | 367778-161 |
| Denmark  | 367778-081 | Europe and<br>the Netherlands | 367778-331 |
| France   | 367778-051 | Norway                        | 367778-091 |
| French Canada  | 367778-121 | Portugal                      | 367778-131 |
| Germany  | 367778-041 | Saudi Arabia                  | 367778-171 |
| Greece   | 367778-DJ1 | Spain                         | 367778-071 |
| Israel   | 367778-BB1 | Sweden/Finland                | 367778-B71 |
| Italy  | 367778-061 | Switzerland                   | 367778-111 |
|  |            | Taiwan                        | 367778-AB1 |
|  |            | Thailand                      | 367778-281 |
|  |            | United Kingdom                | 367778-031 |

---

For use on HP Compaq nx4800 models in Japan 3677777-291

---

For use on Compaq Presario V2000 models in:

|   |            |                    |            |
|---|------------|--------------------|------------|
| Asia Pacific,<br>Australia,<br>Hong Kong,<br>the People's<br>Republic of China,<br>and the United<br>States | 367777-001 | Italy              | 367777-061 |
| Denmark   | 367777-081 | Korea              | 367777-AD1 |
| Europe and<br>the Netherlands   | 367777-331 | Latin America      | 367777-161 |
| France  | 367777-051 | Norway             | 367777-091 |
| French Canada   | 367777-121 | Sweden/Finland     | 367777-B71 |
|   |            | Spain              | 367777-071 |
|   |            | Taiwan             | 367777-AB1 |
|   |            | Thailand           | 367777-281 |
|   |            | The United Kingdom | 367777-031 |

---

1. Prepare the computer for disassembly ([Section 5.3](#)).

2. Remove the optical drive ([Section 5.8](#)).
3. Remove the switch cover ([Section 5.9](#)).
4. Close the computer.
5. Turn the computer upside down with the rear panel toward you.

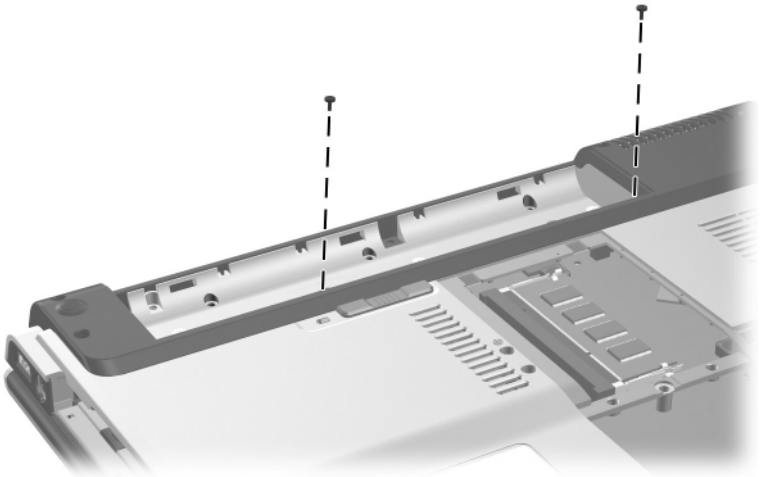


---

Steps 6 through 11 apply only to HP Pavilion dv1000 models. See steps 12 through 15 in this section for information on removing the keyboard on HP Compaq nx4800 and Compaq Presario V2000 models.

---

6. Remove the two PM2.0×4.0 screws that secure the keyboard to the computer.



*Removing the Keyboard Screws, HP Pavilion dv1000 models Only*

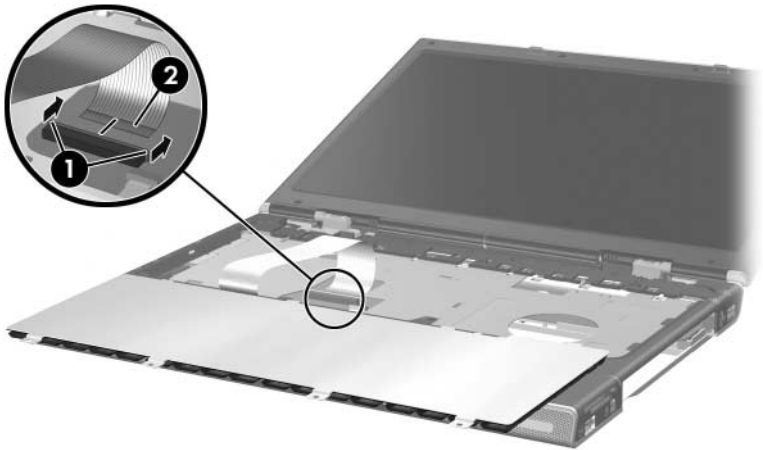


7. Turn the computer display-side up with the front panel toward you.
8. Open the computer as far as possible.
9. Lift the rear edge of the keyboard and swing it forward until it rests on the palm rest.



*Releasing the Keyboard, HP Pavilion dv1000 models Only*

10. Release the zero insertion force (ZIF) connector **1** to which the keyboard cable is connected and disconnect the keyboard cable **2** from the system board.



*Disconnecting the Keyboard Cable, HP Pavilion dv1000 models Only*

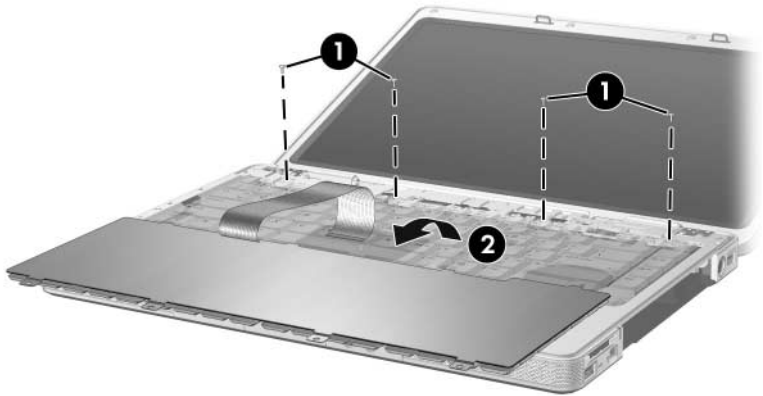
11. Remove the keyboard.



Steps 12 through 15 apply only to HP Compaq nx4800 and Compaq Presario V2000 models.

---

12. Remove the four PM2.0×3.0 screws **1** that secure the keyboard to the computer.
13. Swing the rear edge of the keyboard **2** up and forward until it rests on the palm rest.



*Releasing the Keyboard, HP Compaq nx4800 and Compaq Presario V2000 models Only*

14. Release the ZIF connector **1** to which the keyboard cable is connected and disconnect the keyboard cable **2** from the system board.



*Disconnecting the Keyboard Cable, HP Compaq nx4800 and Compaq Presario V2000 models Only*

15. Remove the keyboard.

Reverse the above procedure to install the keyboard.

## 5.11 Display Assembly

---

### Display Assembly Spare Part Number Information

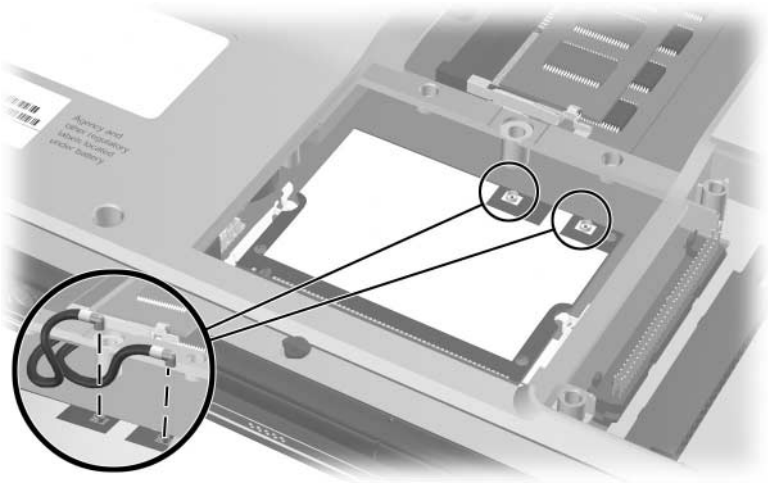
---

|  |            |
|--|------------|
| For use on HP Pavilion dv1000 models                   |            |
| 14.0-inch, WXGA, SVA with Brightview                   | 373054-001 |
| 14.0-inch, WXGA  | 367783-001 |
| For use on HP Compaq nx4800 models                     |            |
| 14.0-inch, WXGA, SVA with Brightview                   | 373060-001 |
| 14.0-inch, WXGA  | 373528-001 |
| For use on Compaq Presario V2000 models                |            |
| 14.0-inch, WXGA, SVA with Brightview                   | 373055-001 |
| 14.0-inch, WXGA  | 367784-001 |
| Left and right display hinge covers and brackets       |            |
| For use on HP Pavilion dv1000 models                   | 382077-001 |
| For use on HP Compaq nx4800 and Compaq Presario models | 382078-001 |

---

1. Prepare the computer for disassembly ([Section 5.3](#)).
2. Remove the memory module compartment ([Section 5.6](#)) and Mini PCI compartment covers ([Section 5.7](#)).

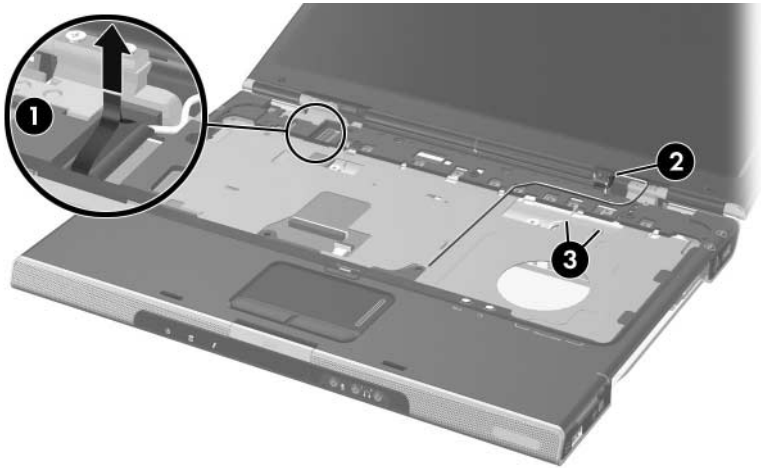
3. Disconnect the wireless antenna cables from the Mini PCI communications card.



*Disconnecting the Wireless Antenna Cables*

4. Remove the wireless antenna cables from the Mini PCI and memory module compartments.
5. Remove the switch cover ([Section 5.9](#)).
6. Remove the keyboard ([Section 5.10](#)).
7. Turn the computer display-side up with the front panel toward you.
8. Open the display as far as possible.

9. Disconnect the display cable ❶ from the system board.
10. Remove the tape ❷ that secures the wireless antenna cables to the top cover.
11. Remove the cables from the clips ❸ in the top cover.



*Disconnecting the Display Cable and Removing the Wireless Antenna Cables*

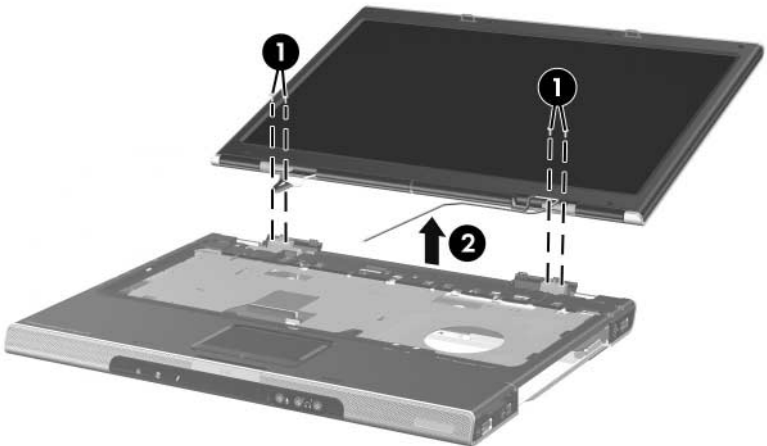


Steps 12 and 13 apply only to HP Pavilion dv1000 models. See steps 14 and 15 in this section for information on removing the display assembly on HP Compaq nx4800 and Compaq Presario V2000 models.



**CAUTION:** Support the display assembly when removing the following screws. Failure to support the display assembly can result in damage to the display assembly and other computer components.

12. Remove the four PM2.0×7.0 round head screws ❶ that secure the display assembly to the computer.
13. Remove the display assembly ❷.



*Removing the Display Assembly, HP Pavilion dv1000 models Only*





Steps 14 and 15 apply only to HP Compaq nx4800 and Compaq Presario V2000 models.

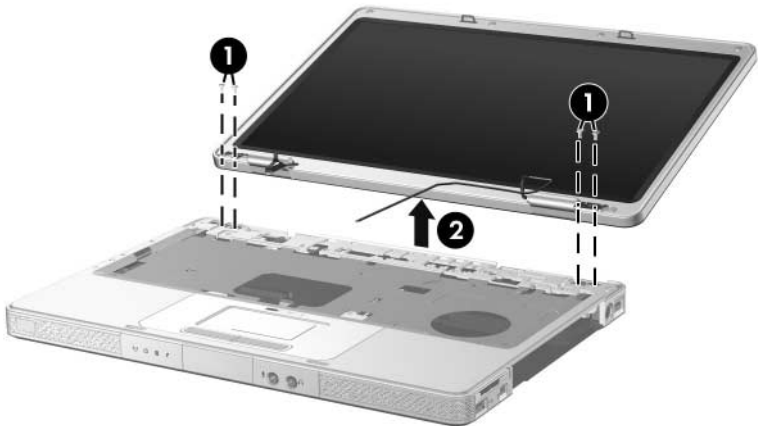
---



**CAUTION:** Support the display assembly when removing the following screws. Failure to support the display assembly can result in damage to the display assembly and other computer components.

---

14. Remove the four PM2.0x5.0 screws ❶ that secure the display assembly to the computer.
15. Remove the display assembly ❷.



*Removing the Display Assembly, HP Compaq nx4800 and Compaq Presario V2000 models Only*

Reverse the above procedure to install the display assembly

## 5.12 Base Enclosure

---

### Base Enclosure Spare Part Number Information

---

|  |            |
|--|------------|
| For use on HP Pavilion dv1000 models                         | 367763-001 |
| For use on HP Compaq nx4800 and Compaq Presario V2000 models | 367764-001 |

---

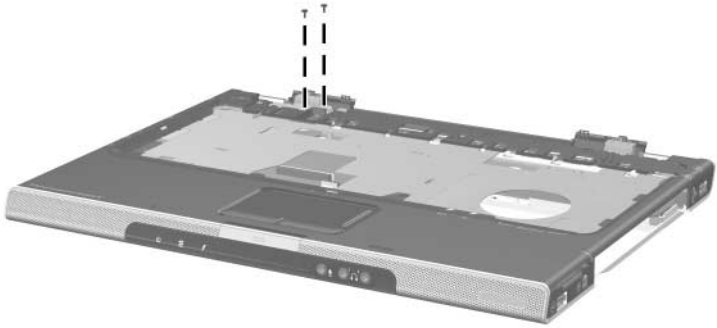
1. Prepare the computer for disassembly ([Section 5.3](#)) and remove the following components:
  - ❑ Hard drive ([Section 5.4](#))
  - ❑ Optical drive ([Section 5.8](#))
  - ❑ Switch cover ([Section 5.9](#))
  - ❑ Keyboard ([Section 5.10](#))
  - ❑ Display assembly ([Section 5.11](#))



Steps 2 through 7 apply only to HP Pavilion dv1000 models. See steps 8 and 9 in this section for information on removing the base enclosure on HP Compaq nx4800 and Compaq Presario V2000 models.

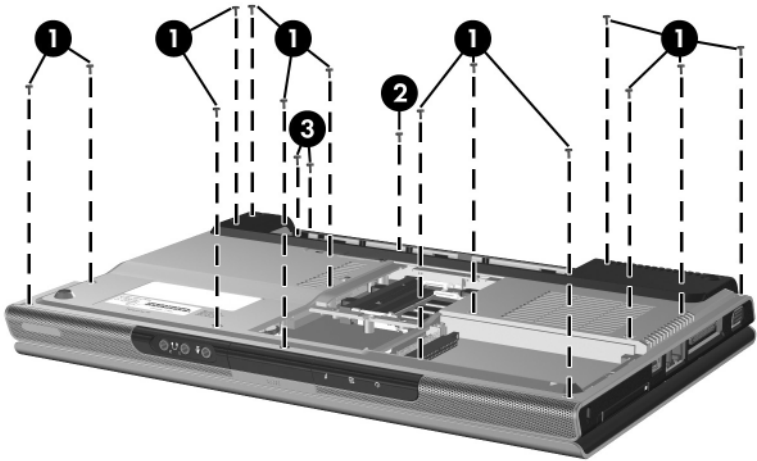
---

2. Remove the two PM2.0×7.0 screws that secure the base enclosure to the computer



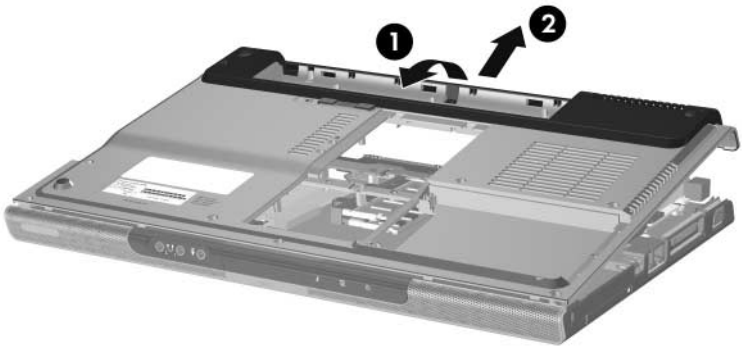
*Removing the Base Enclosure Screws, Part 1, HP Pavilion dv1000 models Only*

3. Turn the computer upside down with the front panel toward you.
4. Remove the following:
  - ❶ Fourteen PM2.0×7.0 screws
  - ❷ One PM2.0×5.0 screw
  - ❸ Two PM2.0×4.0 screws



*Removing the Base Enclosure Screws, Part 2, HP Pavilion dv1000 models Only*

5. Swing the rear edge of the base enclosure **1** straight up and forward until it rests at an angle.
6. Slide the base enclosure **2** back at an angle.
7. Remove the base enclosure.



*Removing the Base Enclosure, HP Pavilion dv1000 models Only*

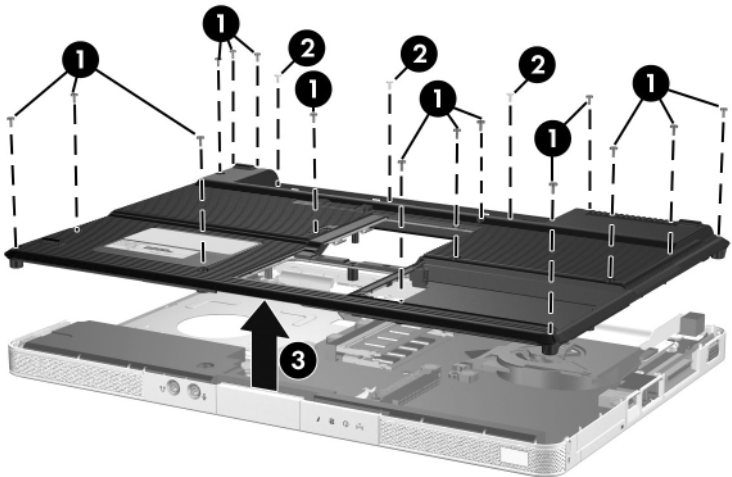


Steps 8 and 9 apply only to HP Compaq nx4800 and Compaq Presario V2000 models.

8. Remove the following:

- ① Fifteen PM2.0×7.0 screws
- ② Three PM2.0×4.0 screws

9. Lift the base enclosure ③ straight up and remove it.



*Removing the Base Enclosure, HP Compaq nx4800 and Compaq Presario V2000 models Only*

Reverse the above procedure to install the base enclosure.

## 5.13 USB/S-Video Controller Board

---

### USB/S-Video Controller Board

#### Spare Part Number Information

---

For use on HP Pavilion dv1000 models and HP Compaq nx4800 and Compaq Presario V2000 models with a 1394 port, S-Video-out jack, expansion port, and digital memory card reader 367794-001

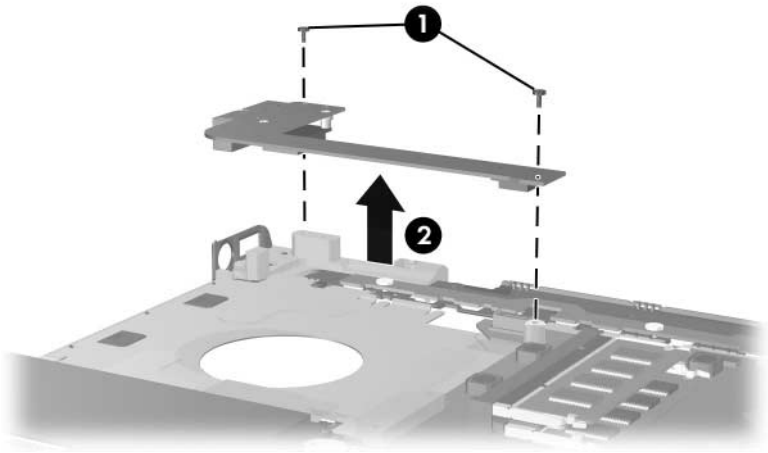
---

For use only on Compaq Presario V2000 models without a 1394 port, S-Video-out jack, expansion port, and Memory Reader 373533-001

---

1. Prepare the computer for disassembly ([Section 5.3](#)) and remove the following components:
  - Hard drive ([Section 5.4](#))
  - Optical drive ([Section 5.8](#))
  - Switch cover ([Section 5.9](#))
  - Keyboard ([Section 5.10](#))
  - Display assembly ([Section 5.11](#))
  - Base enclosure ([Section 5.12](#))

2. Remove the two PM2.0×4.0 screws ❶ that secure the USB/S-Video controller board to the top cover.
3. Lift the right side of the board ❷ to disconnect it from the system board.
4. Remove the USB/S-Video controller board.



*Removing the USB/S-Video Controller Board*

Reverse the above procedure to install the USB/S-Video controller board.



## 5.14 Speaker Assembly

---

### Speaker Assembly Spare Part Number Information

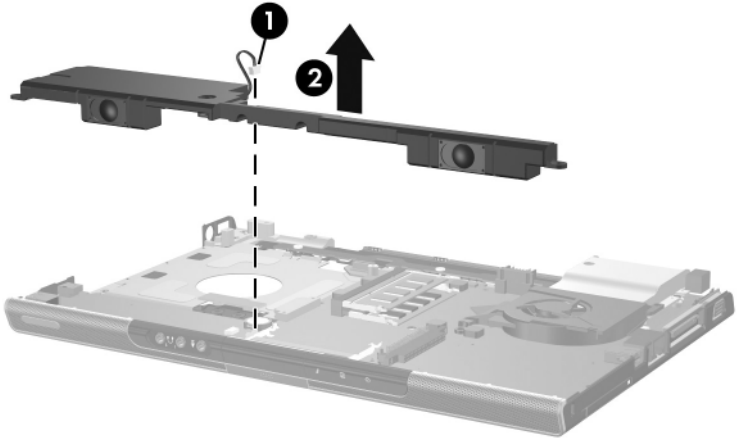
---

|  |            |
|--|------------|
| For use on HP Pavilion dv1000 models                         | 367793-001 |
| For use on HP Compaq nx4800 and Compaq Presario V2000 models | 374625-001 |

---

1. Prepare the computer for disassembly ([Section 5.3](#)) and remove the following components:
  - ❑ Hard drive ([Section 5.4](#))
  - ❑ Optical drive ([Section 5.8](#))
  - ❑ Switch cover ([Section 5.9](#))
  - ❑ Keyboard ([Section 5.10](#))
  - ❑ Display assembly ([Section 5.11](#))
  - ❑ Base enclosure ([Section 5.12](#))

2. Disconnect the speaker cable ❶ from the system board.
3. Lift the speaker ❷ and remove it from the top cover.



#### *Removing the Speaker Assembly*

Reverse the above procedure to install the speaker assembly.

## 5.15 RTC Battery

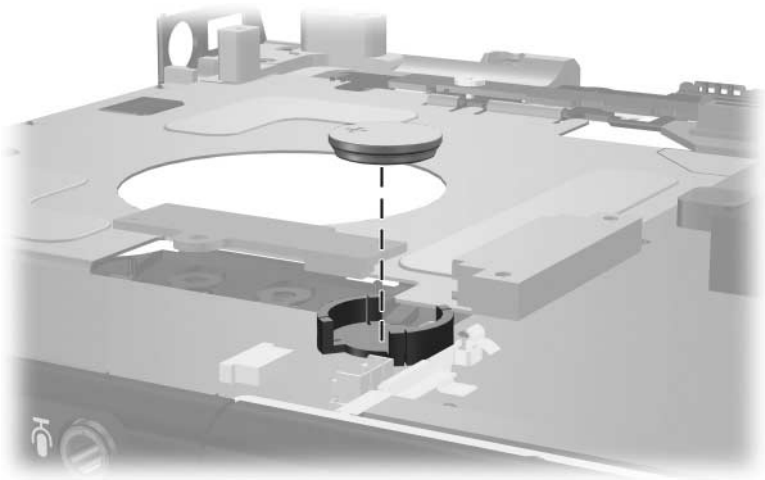
---



The RTC battery is included with the system board. Refer to [Section 5.20, “System Board,”](#) for more information.

---

1. Prepare the computer for disassembly ([Section 5.3](#)) and remove the following components:
  - ❑ Hard drive ([Section 5.4](#))
  - ❑ Optical drive ([Section 5.8](#))
  - ❑ Switch cover ([Section 5.9](#))
  - ❑ Keyboard ([Section 5.10](#))
  - ❑ Display assembly ([Section 5.11](#))
  - ❑ Base enclosure ([Section 5.12](#))
2. Remove the RTC battery from the socket on the system board.



*Removing the RTC Battery*

Reverse the above procedure to install the RTC battery.

## 5.16 Menu Control Button Board

---



This section applies only to HP Pavilion dv1000 models.

---

---

### Menu Control Button Board

### Spare Part Number Information

---

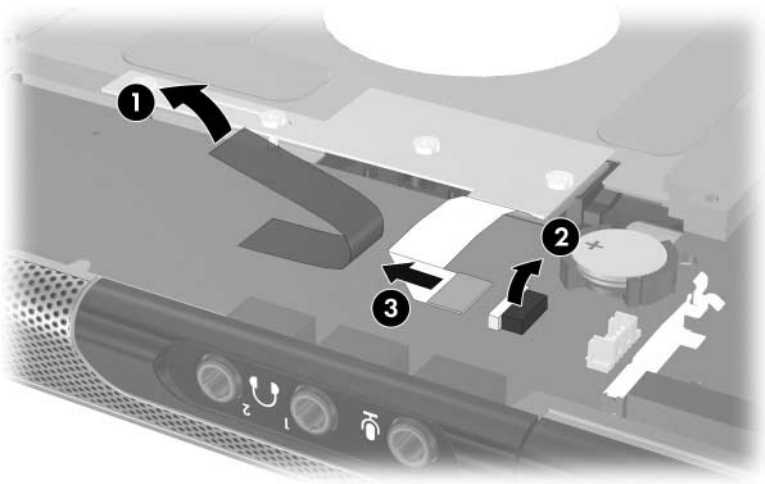
Menu control button board (includes bracket and cable)

373535-001

---

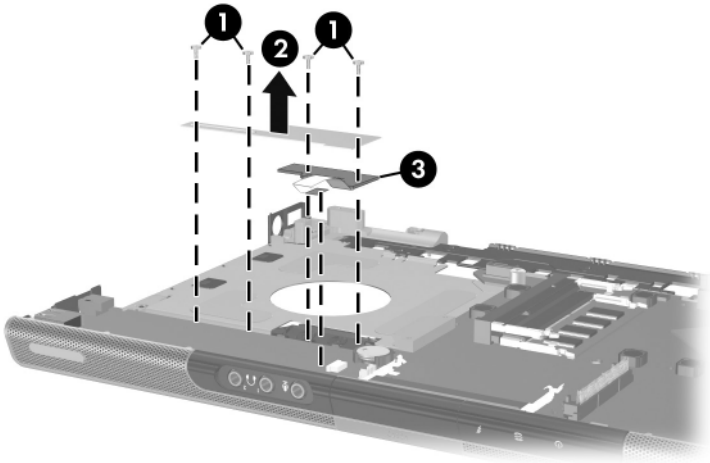
1. Prepare the computer for disassembly ([Section 5.3](#)) and remove the following components:
  - Hard drive ([Section 5.4](#))
  - Optical drive ([Section 5.8](#))
  - Switch cover ([Section 5.9](#))
  - Keyboard ([Section 5.10](#))
  - Display assembly ([Section 5.11](#))
  - Base enclosure ([Section 5.12](#))
2. Position the top cover with the front panel toward you.

3. Remove the tape **1** that secures the menu control button board cable to the system board.
4. Release the ZIF connector **2** to which the menu control button board cable is connected and disconnect the cable **3**.



*Disconnecting the Menu Control Button Board Cable*

5. Remove the four PM2.0×3.0 screws **1** that secure the menu control button board and shield to the top cover.
6. Remove the menu control button board shield **2** and board **3**.



*Removing the Menu Control Button Board and Shield*

Reverse the above procedure to install the menu control button board and shield.

## 5.17 Heat Sink

---

### Heat Sink Spare Part Number Information

---

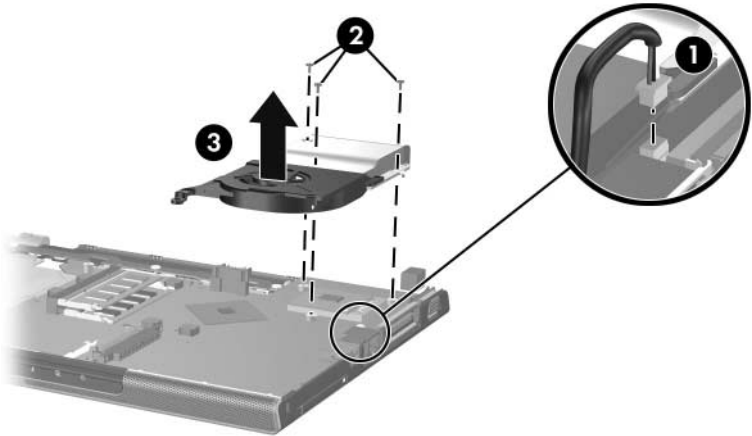
Heat sink (includes thermal pad)

367796-001

---

1. Prepare the computer for disassembly ([Section 5.3](#)) and remove the following components:
  - ❑ Hard drive ([Section 5.4](#))
  - ❑ Optical drive ([Section 5.8](#))
  - ❑ Switch cover ([Section 5.9](#))
  - ❑ Keyboard ([Section 5.10](#))
  - ❑ Display assembly ([Section 5.11](#))
  - ❑ Base enclosure ([Section 5.12](#))
2. Turn the computer upside down with the front panel toward you.

3. Disconnect the fan cable from the system board ❶.
4. Remove the three PM2.0×4.0 screws ❷ that secure the heat sink to the top cover.
5. Remove the heat sink ❸.



### *Removing the Heat Sink*

Reverse the above procedure to install the heat sink.



## 5.18 Fan

---

### Fan Spare Part Number Information

---

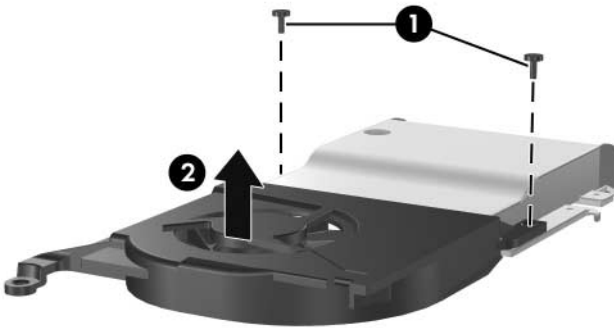
Fan (includes thermal pad)

367795-001

---

1. Prepare the computer for disassembly ([Section 5.3](#)) and remove the following components:
  - ❑ Hard drive ([Section 5.4](#))
  - ❑ Optical drive ([Section 5.8](#))
  - ❑ Switch cover ([Section 5.9](#))
  - ❑ Keyboard ([Section 5.10](#))
  - ❑ Display assembly ([Section 5.11](#))
  - ❑ Base enclosure ([Section 5.12](#))
  - ❑ Heat sink ([Section 5.17](#))
2. Turn the heat sink upside down with the front panel toward you.

3. Remove the two PM2.0×4.0 screws ❶ that secure the fan to the heat sink.
4. Remove the fan ❷.



### *Removing the Fan*

Reverse the above procedure to install the fan.

## 5.19 Processor

---

### Processor Spare Part Number Information

---

|   |            |
|---|------------|
| Intel Pentium M 745 (1.8-GHz) with 400-MHz FSB  | 373053-001 |
| Intel Pentium M 735 (1.7-GHz) with 400-MHz FSB  | 373052-001 |
| Intel Pentium M 725A (1.6-GHz) with 400-MHz FSB | 394825-001 |
| Intel Pentium M 725 (1.6-GHz) with 400-MHz FSB  | 367771-001 |
| Intel Pentium M 715A (1.5-GHz) with 400-MHz FSB | 380690-001 |
| Intel Pentium M 715 (1.5-GHz) with 400-MHz FSB  | 383431-001 |
| Intel Pentium M 705 (1.5-GHz) with 400-MHz FSB  | 375979-001 |
| Intel Pentium M 710 (1.4-GHz) with 400-MHz FSB  | 376588-001 |
| <hr/>   |            |
| Intel Celeron M 340 (1.5-GHz) with 400-MHz FSB  | 367768-001 |
| Intel Celeron M 370 (1.5-GHz) with 400-MHz FSB  | 383876-001 |
| Intel Celeron M 360 (1.4-GHz) with 400-MHz FSB  | 380033-001 |
| Intel Celeron M 330 (1.4-GHz) with 400-MHz FSB  | 367767-001 |
| Intel Celeron M 350 (1.3-GHz) with 400-MHz FSB  | 380032-001 |

---

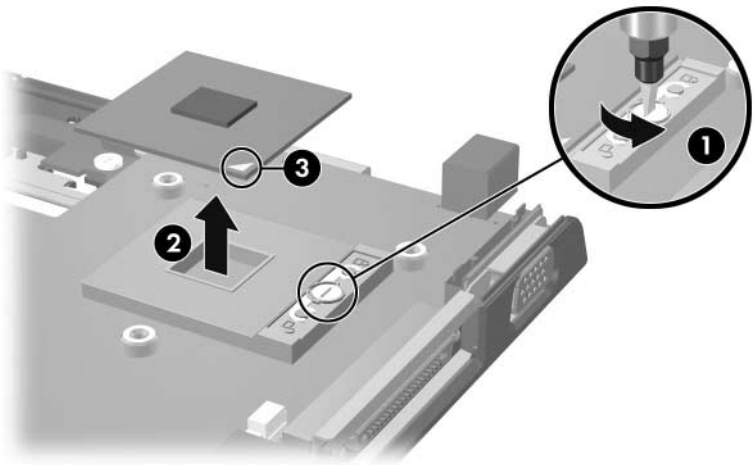
1. Prepare the computer for disassembly ([Section 5.3](#)) and remove the following components:
  - ❑ Hard drive ([Section 5.4](#))
  - ❑ Optical drive ([Section 5.8](#))
  - ❑ Switch cover ([Section 5.9](#))
  - ❑ Keyboard ([Section 5.10](#))
  - ❑ Display assembly ([Section 5.11](#))
  - ❑ Base enclosure ([Section 5.12](#))
  - ❑ Heat sink ([Section 5.17](#))

2. Turn the processor locking screw **1** 1/4-turn counterclockwise until you feel a click.
3. Lift the processor **2** straight up and remove it.



Note that the gold triangle **3** on the processor should be aligned in the front right corner when you install the processor.

---



### Removing the Processor

Reverse the above procedure to install a processor.

## 5.20 System Board



All system board spares kits include a disk cell RTC battery.

---

---

### System Board Spare Part Number Information

---

|   |            |
|---|------------|
| 855, for use on full-featured HP Pavilion dv1000 models in countries other than Japan | 381062-001 |
|---|------------|

|  |            |
|--|------------|
| 855, for use on full-featured HP Pavilion dv1000 models in Japan | 391884-001 |
|--|------------|

|  |            |
|--|------------|
| 852GM, for use on full-featured HP Pavilion dv1000 models in Japan | 381063-001 |
|--|------------|

|  |            |
|--|------------|
| For use on HP Pavilion dv1000 models with Intel Pentium M processors | 367799-001 |
|--|------------|

|  |            |
|--|------------|
| For use on HP Pavilion dv1000 models with Intel Celeron M processors | 367800-001 |
|--|------------|

|  |            |
|--|------------|
| For use on HP Compaq nx4800 and Compaq Presario V2000 models with Intel Pentium M processors | 373522-001 |
|--|------------|

|   |            |
|---|------------|
| For use on Compaq Presario V2000 models with Intel Celeron M processors | 373523-001 |
|---|------------|

---

#### PC Card assemblies

|                                       |            |
|---------------------------------------|------------|
| Silver with 1-dot PC Card eject lever | 385869-001 |
|---------------------------------------|------------|

|                                      |            |
|--------------------------------------|------------|
| Black with 3-dot PC Card eject lever | 389524-001 |
|--------------------------------------|------------|

|                                      |            |
|--------------------------------------|------------|
| Black with 1-dot PC Card eject lever | 389525-001 |
|--------------------------------------|------------|

---

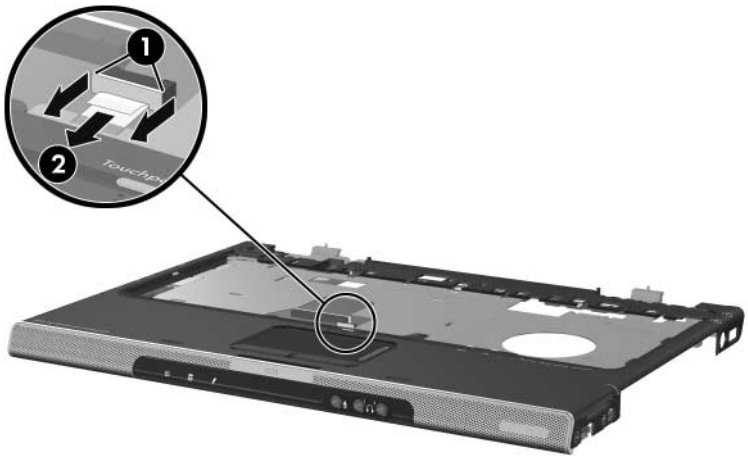


When replacing the system board, ensure that the following components are removed from the defective system board and installed on the replacement system board:

- Memory modules ([Section 5.6](#))
  - Mini PCI communications card ([Section 5.7](#))
  - RTC battery ([Section 5.15](#))
  - Menu control button board ([Section 5.16](#))
  - Heat sink ([Section 5.17](#))
  - Fan ([Section 5.18](#))
  - Processor ([Section 5.19](#))
- 

1. Prepare the computer for disassembly ([Section 5.3](#)) and remove the following components:
  - ❑ Hard drive ([Section 5.4](#))
  - ❑ Optical drive ([Section 5.8](#))
  - ❑ Switch cover ([Section 5.9](#))
  - ❑ Keyboard ([Section 5.10](#))
  - ❑ Display assembly ([Section 5.11](#))
  - ❑ Base enclosure ([Section 5.12](#))
  - ❑ USB/S-Video controller board ([Section 5.13](#))
  - ❑ Speaker assembly ([Section 5.14](#))
2. Turn the top cover right side up with the front panel toward you.

3. Release the ZIF connector **1** to which the TouchPad cable is connected and disconnect the cable **2** from the system board.



*Disconnecting the TouchPad Cable*

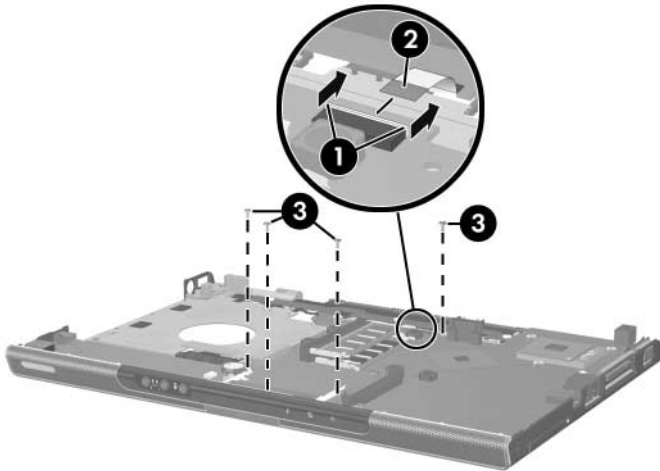
4. Turn the top cover upside down with the front panel toward you.



Steps 5 and 6 apply only to HP Pavilion dv1000 models. See steps 7 and 8 in this section for information on removing the system board on HP Compaq nx4800 and Compaq Presario V2000 models.

---

5. Release the ZIF connector ❶ to which the LED board cable is connected and disconnect the cable ❷ from the system board.
6. Remove the four PM2.0x4.0 screws ❸ that secure the system board to the top cover.



*Disconnecting the LED Board Cable and Removing the System Board Screws, HP Pavilion dv1000 models Only*

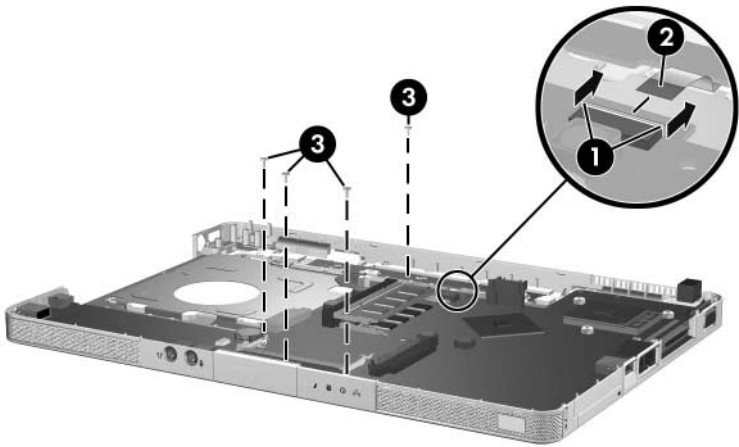




Steps 7 and 8 apply only to HP Compaq nx4800 and Compaq Presario V2000 models.

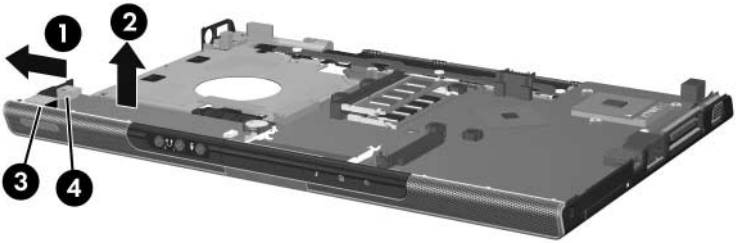
---

7. Release the ZIF connector **1** to which the LED board cable is connected and disconnect the cable **2** from the system board.
8. Remove the four PM2.0x4.0 screws **3** that secure the system board to the top cover.



*Disconnecting the LED Board Cable and Removing the System Board Screws, HP Compaq nx4800 and Compaq Presario V2000 models Only*

9. Flex and hold the left edge of the top cover **1** to the left.
10. Lift the left side of the system board **2** until the USB **3** and 1394 connectors **4** are clear.



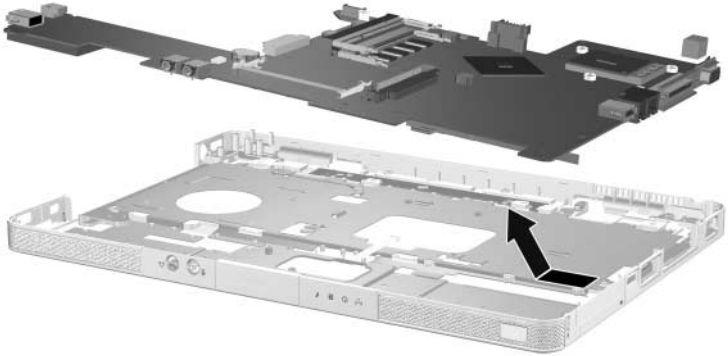
*Releasing the System Board, Part 1*

11. Release the left edge of the top cover.
12. Flex and hold the front edge of the top cover **1** forward.
13. Lift the front of the system board **2** until the audio connectors **3** are clear.



*Releasing the System Board, Part 2*

14. Release the front edge of the top cover.
15. Slide the system board to the left at an angle and remove it from the top cover.



*Removing the System Board*

Reverse the above procedure to install the system board.

## 5.21 LED Board

---

### LED Board Spare Part Number Information

---

|  |            |
|--|------------|
| For use on HP Pavilion dv1000 models                         | 367797-001 |
| For use on HP Compaq nx4800 and Compaq Presario V2000 models | 367798-001 |

---

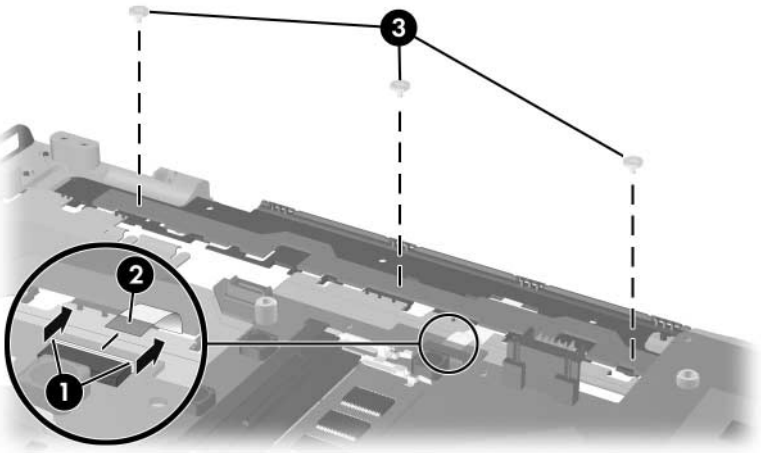


1. Prepare the computer for disassembly ([Section 5.3](#)) and remove the following components:
  - Hard drive ([Section 5.4](#))
  - Optical drive ([Section 5.8](#))
  - Switch cover ([Section 5.9](#))
  - Keyboard ([Section 5.10](#))
  - Display assembly ([Section 5.11](#))
  - Base enclosure ([Section 5.12](#))
  - USB/S-Video controller board ([Section 5.13](#))
  - Speaker assembly ([Section 5.14](#))
  - System board ([Section 5.20](#))
2. Turn the computer upside down with the front panel toward you.



Steps 3 and 4 apply only to HP Pavilion dv1000 models. See steps 5 and 6 in this section for information on removing the LED board on HP Compaq nx4800 and Compaq Presario V2000 models.

3. Release the ZIF connector **1** to which the LED board cable is connected and disconnect the cable **2** from the system board.
4. Remove the three PM1.5×2.0 screws **3** that secure the LED board to the top cover.



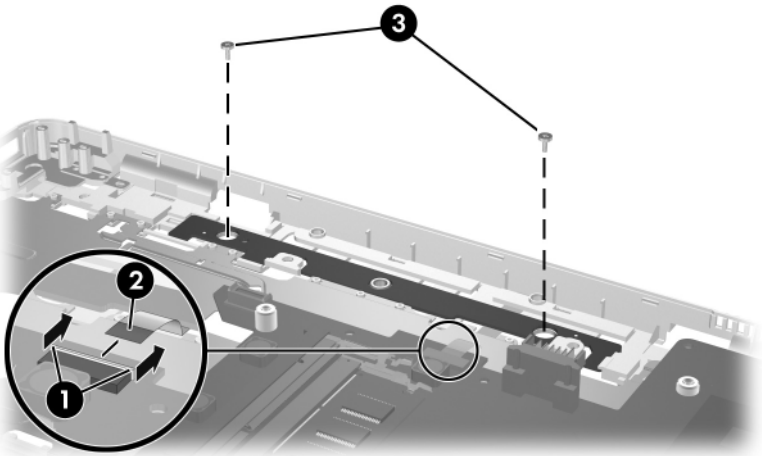
Removing the LED Board Screws, HP Pavilion dv1000 models Only



Steps 5 and 6 apply only to HP Compaq nx4800 and Compaq Presario V2000 models.

---

5. Release the ZIF connector **1** to which the LED board cable is connected and disconnect the cable **2** from the system board.
6. Remove the two PM2.0×3.0 screws **3** that secure the LED board to the top cover.



*Removing the LED Board Screws, HP Compaq nx4800 and Compaq Presario V2000 models Only*

7. Remove the LED board.

Reverse the above procedure to install the LED board.

---

## Specifications

This chapter provides physical and performance specifications.

---

**Table 6-1**  
**Computer**

---

**Dimensions**

HP Pavilion dv1000

|                                    |                    |                    |
|------------------------------------|--------------------|--------------------|
| Height (varies from front to back) | 3.01 cm to 3.86 cm | 1.19 in to 1.52 in |
| Width                              | 23.46 cm           | 9.24 in            |
| Depth                              | 33.40 cm           | 13.15 in           |

HP Compaq nx4800 and Compaq Presario V2000

|                                    |                    |                    |
|------------------------------------|--------------------|--------------------|
| Height (varies from front to back) | 3.29 cm to 3.89 cm | 1.30 in to 1.53 in |
| Width                              | 23.06 cm           | 9.08 in            |
| Depth                              | 33.40 cm           | 13.15 in           |

---

**Weight** (varies by configuration)

|   |         |         |
|---|---------|---------|
| HP Pavilion dv1000                            | 2.44 kg | 5.38 lb |
| HP Compaq nx4800 and<br>Compaq Presario V2000 | 2.39 kg | 5.26 lb |

---


**Stand-alone power requirements**

|                           |                         |
|---------------------------|-------------------------|
| Nominal operating voltage | 18.5 V dc @ 3.5a - 65 W |
| Peak operating power      | 3.5 A                   |

---




**Table 6-1**  
**Computer (Continued)**

| <b>Temperature</b>   |   |                     |
|--|---|---------------------|
| Operating*   | 0°C to 35°C   | 32°F to 95°F        |
| Nonoperating   | -20°C to 60°C   | -4°F to 140°F       |
| <b>Relative humidity (noncondensing)</b>   |   |                     |
| Operating  | 10% to 90%  |                     |
| Nonoperating   | 5% to 95%, 38.7°C (101.6°F) maximum wet bulb temperature      |                     |
| <b>Maximum altitude (unpressurized)</b>  |   |                     |
| Operating (14.7 to 10.1 psia)  | -15 m to 3,048 m  | -50 ft to 10,000 ft |
| Nonoperating (14.7 to 4.4 psia)  | -15 m to 12,192 m   | -50 ft to 40,000 ft |
| <b>Shock</b>   |   |                     |
| Operating  | 125 g, 2 ms, half-sine  |                     |
| Nonoperating   | 200 g, 2 ms, half-sine  |                     |
| <b>Random Vibration</b>  |   |                     |
| Operating  | 0.75 g zero-to-peak, 10 Hz to 500 Hz, 0.25 oct/min sweep rate |                     |
| Nonoperating   | 1.50 g zero-to-peak, 10 Hz to 500 Hz, 0.5 oct/min sweep rate  |                     |
|  Applicable product safety standards specify thermal limits for plastic surfaces. The computer operates well within this range of temperatures. |   |                     |
| * For HP Compaq nx4800 only:   |   |                     |
| Operating (not writing to optical disc)  | 0°C to 35°C   | 32°F to 95°F        |
| Operating (writing to optical disc)  | 5°C to 35°C   | 41°F to 95°F        |
| Nonoperating   | -20°C to 60°C   | -4°F to 140°F       |

**Table 6-2**  
**14.0-inch, WXGA, SVA Display**

|                                |  |         |
|--------------------------------|--|---------|
| <b>Dimensions</b>              |  |         |
| Height                         | 27.94 cm                                     | 11.0 in |
| Width                          | 20.83 cm                                     | 8.2 in  |
| Diagonal                       | 35.56 cm                                     | 14.0 in |
| <b>Number of colors</b>        | Up to 16.8 million                           |         |
| <b>Contrast ratio</b>          | 250:1  |         |
| <b>Brightness</b>              | 180 nits typical                             |         |
| <b>Pixel resolution</b>        |  |         |
| Pitch                          | 0.279 × 0.279 mm                             |         |
| Format                         | 1280 × 768                                   |         |
| Configuration                  | RGB vertical stripe                          |         |
| <b>Backlight</b>               | Edge lit                                     |         |
| <b>Character display</b>       | 80 × 25                                      |         |
| <b>Total power consumption</b> | 4 W  |         |
| <b>Viewing angle</b>           | +/-40° horizontal, +20/-40° vertical typical |         |

**Table 6-3**  
**Hard Drives**

|   | 80-GB                       | 60-GB        | 60-GB        | 40-GB        |
|---|-----------------------------|--------------|--------------|--------------|
| <b>Dimensions</b>   |                             |              |              |              |
| Height  | 9.5 mm                      | 9.5 mm       | 9.5 mm       | 9.5 mm       |
| Width   | 70 mm                       | 70 mm        | 70 mm        | 70 mm        |
| Weight  | 99 g                        | 102 g        | 99 g         | 99 g         |
| <b>Interface type</b>   | ATA-5                       | ATA-5        | ATA-5        | ATA-5        |
| <b>Transfer rate</b>  |                             |              |              |              |
| Synchronous (maximum)   | 100 MB/sec                  | 100 MB/sec   | 100 MB/sec   | 100 MB/sec   |
| Security  | ATA security                | ATA security | ATA security | ATA security |
| <b>Seek times</b> (typical read, including setting)   |                             |              |              |              |
| Single track  | 3 ms                        | 3 ms         | 3 ms         | 3 ms         |
| Average   | 13 ms                       | 13 ms        | 13 ms        | 13 ms        |
| Maximum   | 24 ms                       | 24 ms        | 24 ms        | 24 ms        |
| <b>Logical blocks</b> <sup>†</sup>  | 156,301,488                 | 117,210,240  | 117,210,240  | 78,140,160   |
| <b>Disk rotational speed</b>  | 5400 rpm                    | 5400 rpm     | 4200 rpm     | 4200 rpm     |
| <b>Operating temperature</b>  | 5°C to 55°C (41°F to 131°F) |              |              |              |
|  Certain restrictions and exclusions apply. Consult Customer Care for details. |                             |              |              |              |
| *1 GB = 1 billion bytes when referring to hard drive storage capacity. Accessible capacity is less.   |                             |              |              |              |
| <sup>†</sup> Actual drive specifications may differ slightly.   |                             |              |              |              |

---

**Table 6-4**  
**Primary 6-cell, Li-Ion Battery Pack**

---

**Dimensions**

|        |          |         |
|--------|----------|---------|
| Height | 2.00 cm  | 0.79 in |
| Width  | 9.40 cm  | 3.70 in |
| Depth  | 13.40 cm | 5.28 in |
| Weight | 0.34 kg  | 0.75 lb |

---

**Energy**

|                    |         |
|--------------------|---------|
| Voltage            | 11.1 V  |
| Amp-hour capacity  | 4.4 Ahr |
| Watt-hour capacity | 48 WHr  |

---

**Temperature**

|              |             |               |
|--------------|-------------|---------------|
| Operating    | 5°C to 45°C | 41°F to 113°F |
| Nonoperating | 0°C to 60°C | 32°F to 140°F |

---

**Table 6-5**  
**24X DVD/CD-RW Combo Drive**

| <b>Applicable disk</b>      | <b>Read:</b>   | <b>Write:</b>  |
|-----------------------------|--|----------------|
|                             | DVD-R, DVD-RW,<br>DVD-ROM (DVD-5,<br>DVD-9, DVD-10,<br>DVD-18),<br>CD-ROM (Mode 1 and 2)<br>CD Digital Audio<br>CD-XA ready (Mode 2,<br>Form 1 and 2)<br>CD-I ready (Mode 2,<br>Form 1 and 2)<br>CD-R, CD-RW<br>Photo CD (single and<br>multisession)<br>CD-Bridge | CD-R and CD-RW |
| <b>Center hole diameter</b> | 1.5 cm (0.59 in)   |                |
| <b>Disk diameter</b>        |  |                |
| Standard disc               | 12 cm (4.72 in)  |                |
| Mini disc                   | 8 cm (3.15 in)   |                |

**Table 6-5**  
**24X DVD/CD-RW Combo Drive (Continued)**

|                           |  |           |
|---------------------------|--|-----------|
| <b>Disk thickness</b>     | 1.2 mm (0.047 in)                      |           |
| <b>Track pitch</b>        | 0.74 $\mu$ m                           |           |
| <b>Access time</b>        | CD media                               | DVD media |
| Random                    | < 110 ms                               | < 130 ms  |
| Full stroke               | < 210 ms                               | < 225 ms  |
| <b>Audio output level</b> | Line-out, 0.7 V rms                    |           |
| <b>Cache buffer</b>       | 2 MB                                   |           |
| <b>Data transfer rate</b> |  |           |
| CD-R (24X)                | 3600 KB/s (150 KB/s at 1X CD rate)     |           |
| CD-RW (10X)               | 1500 KB/s (150 KB/s at 1X CD rate)     |           |
| CD-ROM (24X)              | 3600 KB/s (150 KB/s at 1X CD rate)     |           |
| DVD (8X)                  | 10,800 KB/s (1352 KB/s at 1X DVD rate) |           |
| Multiword DMA mode 2      | 16.6 MB/s                              |           |
| <b>Startup time</b>       | < 15 seconds                           |           |
| <b>Stop time</b>          | < 6 seconds                            |           |

**Table 6-6**  
**4X DVD+RW/R and CD-RW Combo Drive**

| <b>Applicable disk</b>      | <b>Read:</b>   | <b>Write:</b>                      |
|-----------------------------|--|------------------------------------|
|                             | DVD-R, DVD-RW,<br>DVD-ROM (DVD-5,<br>DVD-9, DVD-10,<br>DVD-18),<br>CD-ROM (Mode 1 and 2)<br>CD Digital Audio<br>CD-XA ready (Mode 2,<br>Form 1 and 2)<br>CD-I ready (Mode 2,<br>Form 1 and 2)<br>CD-R, CD-RW<br>Photo CD (single and<br>multisession)<br>CD-Bridge | CD-R and CD-RW<br>DVD-R and DVD-RW |
| <b>Center hole diameter</b> | 1.5 cm (0.59 in)   |                                    |
| <b>Disk diameter</b>        |  |                                    |
| Standard disc               | 12 cm (4.72 in)  |                                    |
| Mini disc                   | 8 cm (3.15 in)   |                                    |

**Table 6-6**  
**4X DVD+RW/R and CD-RW Combo Drive (Continued)**

|                           |   |           |
|---------------------------|---|-----------|
| <b>Disk thickness</b>     | 1.2 mm (0.047 in)                       |           |
| <b>Track pitch</b>        | 0.74 $\mu$ m                            |           |
| <b>Access time</b>        | CD media                                | DVD media |
| Random                    | < 175 ms                                | < 230 ms  |
| Full stroke               | < 285 ms                                | < 335 ms  |
| <b>Audio output level</b> | Audio-out, 0.7 Vrms                     |           |
| <b>Cache buffer</b>       | 2 MB                                    |           |
| <b>Data transfer rate</b> |   |           |
| CD-R (16X)                | 2,400 KB/s (150 KB/s at 1X CD rate)     |           |
| CD-RW (8X)                | 1,200 KB/s (150 KB/s at 1X CD rate)     |           |
| CD-ROM (24X)              | 3,600 KB/s (150 KB/s at 1X CD rate)     |           |
| DVD (8X)                  | 10,800 KB/s (1,352 KB/s at 1X DVD rate) |           |
| DVD-R (4X)                | 5,400 KB/s (1,352 KB/s at 1X DVD rate)  |           |
| DVD-RW (2X)               | 2,700 KB/s (1,352 KB/s at 1X DVD rate)  |           |
| Multiword DMA mode 2      | 16.6 MB/s                               |           |
| <b>Startup time</b>       | < 15 seconds                            |           |
| <b>Stop time</b>          | < 6 seconds                             |           |



**Table 6-7**  
**4X DVD±RW/R and CD-RW Combo Drive**

| <b>Applicable disk</b>      | <b>Read:</b>   | <b>Write:</b>                      |
|-----------------------------|--|------------------------------------|
|                             | DVD-R, DVD-RW,<br>DVD-ROM (DVD-5,<br>DVD-9, DVD-10,<br>DVD-18),<br>CD-ROM (Mode 1 and 2)<br>CD Digital Audio<br>CD-XA ready (Mode 2,<br>Form 1 and 2)<br>CD-I ready (Mode 2,<br>Form 1 and 2)<br>CD-R, CD-RW<br>Photo CD (single and<br>multisession)<br>CD-Bridge | CD-R and CD-RW<br>DVD-R and DVD-RW |
| <b>Center hole diameter</b> | 1.5 cm (0.59 in)   |                                    |
| <b>Disk diameter</b>        |  |                                    |
| Standard disc               | 12 cm (4.72 in)  |                                    |
| Mini disc                   | 8 cm (3.15 in)   |                                    |

**Table 6-7**  
**4X DVD±RW/R and CD-RW Combo Drive (Continued)**

|                           |   |          |
|---------------------------|---|----------|
| <b>Disk thickness</b>     | 1.2 mm (0.047 in)                       |          |
| <b>Track pitch</b>        | 0.74 $\mu$ m                            |          |
| <b>Access time</b>        | CD                                      | DVD      |
| Random                    | < 175 ms                                | < 230 ms |
| Full stroke               | < 285 ms                                | < 335 ms |
| <b>Audio output level</b> | Audio-out, 0.7 Vrms                     |          |
| <b>Cache buffer</b>       | 2 MB                                    |          |
| <b>Data transfer rate</b> |   |          |
| CD-R (16X)                | 2,400 KB/s (150 KB/s at 1X CD rate)     |          |
| CD-RW (8X)                | 1,200 KB/s (150 KB/s at 1X CD rate)     |          |
| CD-ROM (24X)              | 3,600 KB/s (150 KB/s at 1X CD rate)     |          |
| DVD (8X)                  | 10,800 KB/s (1,352 KB/s at 1X DVD rate) |          |
| DVD-R (4X)                | 5,400 KB/s (1,352 KB/s at 1X DVD rate)  |          |
| DVD-RW (2X)               | 2,700 KB/s (1,352 KB/s at 1X DVD rate)  |          |
| Multiword DMA mode 2      | 16.6 MB/s                               |          |
| <b>Startup time</b>       | < 15 seconds                            |          |
| <b>Stop time</b>          | < 6 seconds                             |          |

**Table 6-8**  
**8X DVD±RW/R and CD-RW Combo Drive**

| <b>Applicable disk</b>      | <b>Read:</b>  | <b>Write:</b>                         |
|-----------------------------|---|---------------------------------------|
|                             | DVD-R, DVD-RW,<br>DVD-ROM (DVD-5,<br>DVD-9, DVD-10,<br>DVD-18),<br>CD-ROM (Mode 1<br>and 2)<br>CD Digital Audio<br>CD-XA ready (Mode<br>2, Form 1 and 2)<br>CD-I ready (Mode 2,<br>Form 1 and 2)<br>CD-R, CD-RW<br>Photo CD (single<br>and multisession)<br>CD-Bridge | CD-R and CD-RW<br>DVD-R and<br>DVD-RW |
| <b>Center hole diameter</b> | 1.5 cm (0.59 in)  |                                       |
| <b>Disk diameter</b>        |   |                                       |
| Standard disc               | 12 cm (4.72 in)   |                                       |
| Mini disc                   | 8 cm (3.15 in)  |                                       |

**Table 6-8**  
**8X DVD±RW/R and CD-RW Combo Drive (Continued)**

|                           |   |          |
|---------------------------|---|----------|
| <b>Disk thickness</b>     | 1.2 mm (0.047 in)                       |          |
| <b>Track pitch</b>        | 0.74 μm                                 |          |
| <b>Access time</b>        | CD                                      | DVD      |
| Random                    | < 175 ms                                | < 230 ms |
| Full stroke               | < 285 ms                                | < 335 ms |
| <b>Audio output level</b> | Audio-out, 0.7 Vrms                     |          |
| <b>Cache buffer</b>       | 2 MB                                    |          |
| <b>Data transfer rate</b> |   |          |
| CD-R (16X)                | 2,400 KB/s (150 KB/s at 1X CD rate)     |          |
| CD-RW (8X)                | 1,200 KB/s (150 KB/s at 1X CD rate)     |          |
| CD-ROM (24X)              | 3,600 KB/s (150 KB/s at 1X CD rate)     |          |
| DVD (8X)                  | 10,800 KB/s (1,352 KB/s at 1X DVD rate) |          |
| DVD-R (4X)                | 5,400 KB/s (1,352 KB/s at 1X DVD rate)  |          |
| DVD-RW (2X)               | 2,700 KB/s (1,352 KB/s at 1X DVD rate)  |          |
| Multiword DMA mode 2      | 16.6 MB/s                               |          |
| <b>Startup time</b>       | < 15 seconds                            |          |
| <b>Stop time</b>          | < 6 seconds                             |          |

---

**Table 6-9**  
**8X Max DVD-ROM Drive**

---

|                             |  |
|-----------------------------|--|
| <b>Applicable disk</b>      | DVD-ROM (DVD-5, DVD-9, DVD-10, DVD-18)<br>CD-ROM (Mode 1 and 2)<br>CD Digital Audio<br>CD-XA ready (Mode 2, Form 1 and 2)<br>CD-I ready (Mode 2, Form 1 and 2)<br>CD-R<br>CD-RW<br>Photo CD (single and multisession)<br>CD-Bridge |
| <b>Center hole diameter</b> | 1.5 cm (0.59 in)   |
| <b>Disk diameter</b>        |  |
| Standard disc               | 12 cm (4.72 in)  |
| Mini disc                   | 8 cm (3.15 in)   |
| <b>Disk thickness</b>       | 1.2 mm (0.047 in)  |

---

**Table 6-9**  
**8X Max DVD-ROM Drive (Continued)**

|                           |  |           |
|---------------------------|--|-----------|
| <b>Track pitch</b>        | 0.74 $\mu$ m                           |           |
| <b>Access time</b>        | CD media                               | DVD media |
| Random                    | < 100 ms                               | < 125 ms  |
| Full stroke               | < 175 ms                               | < 225 ms  |
| <b>Audio output level</b> | Line-out, 0.7 V rms                    |           |
| <b>Cache buffer</b>       | 512 KB                                 |           |
| <b>Data transfer rate</b> |  |           |
| CD-R (24X)                | 3600 KB/s (150 KB/s at 1X CD rate)     |           |
| CD-RW (10X)               | 1500 KB/s (150 KB/s at 1X CD rate)     |           |
| CD-ROM (24X)              | 3600 KB/s (150 KB/s at 1X CD rate)     |           |
| DVD (8X)                  | 10,800 KB/s (1352 KB/s at 1X DVD rate) |           |
| Multiword DMA mode 2      | 16.6 MB/s                              |           |
| <b>Startup time</b>       | < 10 seconds                           |           |
| <b>Stop time</b>          | < 3 seconds                            |           |

---

**Table 6-10**  
**System DMA**

| <b>Hardware DMA</b> | <b>System Function</b>          |
|---------------------|---------------------------------|
| DMA0                | n/a                             |
| DMA1*               | n/a                             |
| DMA2*               | n/a                             |
| DMA3                | n/a                             |
| DMA4                | Direct memory access controller |
| DMA5*               | Available for PC Card           |
| DMA6                | Not assigned                    |
| DMA7                | Not assigned                    |

---

\*PC Card controller can use DMA 1, 2, or 5.

---

**Table 6-11**  
**System Interrupts**


| <b>Hardware IRQ</b> | <b>System Function</b>   |
|---------------------|--|
| IRQ0                | System timer   |
| IRQ1                | Standard 101-/102-Key or Microsoft Natural Keyboard  |
| IRQ2                | Cascaded   |
| IRQ3                | Intel 82801DB/DBM USB2 Enhanced Host Controller—24CD   |
| IRQ4                | COM1   |
| IRQ5*               | Conexant AC—Link Audio<br>Intel 82801DB/DBM SMBus Controller—24C3<br>Data Fax Modem with SmartCP                                     |
| IRQ6                | Diskette drive   |
| IRQ7*               | Parallel port  |
| IRQ8                | System CMOS/real time clock  |
| IRQ9*               | Microsoft ACPI-compliant system  |
| IRQ10*              | Intel USB UHCI controller—24C2<br>Intel 82852/82855 GM/GME Graphic Controller<br>Realtek RTL8139 Family PCI fast Ethernet Controller |

\*Default configuration; audio possible configurations are IRQ5, IRQ7, IRQ9, IRQ10, or none.



**Table 6-11**  
**System Interrupts (Continued)**

| <b>Hardware IRQ</b> | <b>System Function</b>   |
|---------------------|--|
| IRQ11               | Intel USB EHCI controller—24CD<br>Intel USB UHCI controller—24C4<br>Intel USB UHCI controller—24C7<br>Intel Pro/Wireless 2200BG<br>TI OHCI 1394 host controller<br>TI PCI1410 cardbus controller |
| IRQ12               | Synaptics PS/2 TouchPad  |
| IRQ13               | Numeric data processor   |
| IRQ14               | Primary IDE channel  |
| IRQ15               | Secondary IDE channel  |

 PC Cards may assert IRQ3, IRQ4, IRQ5, IRQ7, IRQ9, IRQ10, IRQ11, or IRQ15. Either the infrared or the serial port may assert IRQ3 or IRQ4.

**Table 6-12**  
**System I/O Addresses**

| <b>I/O Address (hex)</b> | <b>System Function (shipping configuration)</b> |
|--------------------------|---|
| 000 - 00F                | DMA controller no. 1                            |
| 010 - 01F                | Unused  |
| 020 - 021                | Interrupt controller no. 1                      |
| 022 - 024                | Opti chipset configuration registers            |
| 025 - 03F                | Unused  |
| 02E - 02F                | 87334 "Super I/O" configuration for CPU         |
| 040 - 05F                | Counter/timer registers                         |
| 044 - 05F                | Unused  |
| 060                      | Keyboard controller                             |
| 061                      | Port B  |
| 062 - 063                | Unused  |
| 064                      | Keyboard controller                             |
| 065 - 06F                | Unused  |
| 070 - 071                | NMI enable/RTC                                  |
| 072 - 07F                | Unused  |
| 080 - 08F                | DMA page registers                              |
| 090 - 091                | Unused  |
| 092                      | Port A  |
| 093 - 09F                | Unused  |
| 0A0 - 0A1                | Interrupt controller no. 2                      |

**Table 6-12**  
**System I/O Addresses (Continued)**

| <b>I/O Address (hex)</b> | <b>System Function (shipping configuration)</b> |
|--------------------------|---|
| 0A2 - 0BF                | Unused  |
| 0C0 - 0DF                | DMA controller no. 2                            |
| 0E0 - 0EF                | Unused  |
| 0F0 - 0F1                | Coprocessor busy clear/reset                    |
| 0F2 - 0FF                | Unused  |
| 100 - 16F                | Unused  |
| 170 - 177                | Secondary fixed disk controller                 |
| 178 - 1EF                | Unused  |
| 1F0 - 1F7                | Primary fixed disk controller                   |
| 1F8 - 200                | Unused  |
| 201                      | Joystick (decoded in ESS1688)                   |
| 202 - 21F                | Unused  |
| 220 - 22F                | Entertainment audio                             |
| 230 - 26D                | Unused  |
| 26E - 26                 | Unused  |
| 278 - 27F                | Unused  |
| 280 - 2AB                | Unused  |
| 2A0 - 2A7                | Unused  |
| 2A8 - 2E7                | Unused  |
| 2E8 - 2EF                | Reserved serial port                            |

**Table 6-12**  
**System I/O Addresses (*Continued*)**

| <b>I/O Address (hex)</b> | <b>System Function (shipping configuration)</b> |
|--------------------------|---|
| 2F0 - 2F7                | Unused  |
| 2F8 - 2FF                | Infrared port                                   |
| 300 - 31F                | Unused  |
| 320 - 36F                | Unused  |
| 370 - 377                | Secondary diskette drive controller             |
| 378 - 37F                | Parallel port (LPT1/default)                    |
| 380 - 387                | Unused  |
| 388 - 38B                | FM synthesizer—OPL3                             |
| 38C - 3AF                | Unused  |
| 3B0 - 3BB                | VGA   |
| 3BC - 3BF                | Reserved (parallel port/no EPP support)         |
| 3C0 - 3DF                | VGA   |
| 3E0 - 3E1                | PC Card controller in CPU                       |
| 3E2 - 3E3                | Unused  |
| 3E8 - 3EF                | Internal modem                                  |
| 3F0 - 3F7                | “A” diskette controller                         |
| 3F8 - 3FF                | Serial port (COM1/default)                      |
| CF8 - CFB                | PCI configuration index register (PCIDIVO-1)    |
| CFC - CFF                | PCI configuration data register (PCIDIVO-1)     |

**Table 6-13**  
**System Memory Map**

| <b>Size</b> | <b>Memory Address</b> | <b>System Function</b>       |
|-------------|-----------------------|------------------------------|
| 640 KB      | 00000000-0009FFFF     | Base memory                  |
| 128 KB      | 000A0000-000BFFFF     | Video memory                 |
| 48 KB       | 000C0000-000CBFFF     | Video BIOS                   |
| 160 KB      | 000C8000-000E7FFF     | Unused                       |
| 64 KB       | 000E8000-000FFFFF     | System BIOS                  |
| 15 MB       | 00100000-00FFFFFF     | Extended memory              |
| 58 MB       | 01000000-047FFFFF     | Super extended memory        |
| 58 MB       | 04800000-07FFFFFF     | Unused                       |
| 2 MB        | 08000000-080FFFFF     | Video memory (direct access) |
| 4 GB        | 08200000-FFFEFFFF     | Unused                       |
| 64 KB       | FFFF0000-FFFFFFFF     | System BIOS                  |

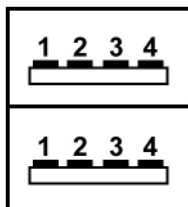
# A

---

## Connector Pin Assignments

---

**Table A-1**  
**Universal Serial Bus**



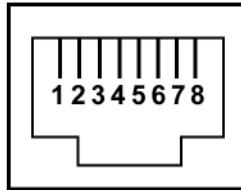
---

| <b>Pin</b> | <b>Signal</b> | <b>Pin</b> | <b>Signal</b> |
|------------|---------------|------------|---------------|
| 1          | +5 VDC        | 3          | Data +        |
| 2          | Data -        | 4          | Ground        |

---

---

**Table A-2**  
**RJ-45 (Network)**

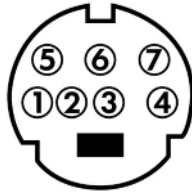


---

| <b>Pin</b> | <b>Signal</b> | <b>Pin</b> | <b>Signal</b> |
|------------|---------------|------------|---------------|
| 1          | Transmit +    | 5          | Unused        |
| 2          | Transmit –    | 6          | Receive –     |
| 3          | Receive +     | 7          | Unused        |
| 4          | Unused        | 8          | Unused        |

---

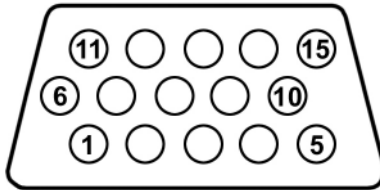
**Table A-3**  
**S-Video-Out**



| Pin | Signal    | Pin | Signal    |
|-----|-----------|-----|-----------|
| 1   | TV-Ground | 5   | TV-CD     |
| 2   | TV-CVBS   | 6   | TV-Ground |
| 3   | TV-Ground | 7   | TV-YD     |
| 4   | TV-Ground |     |           |

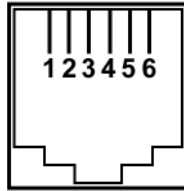


**Table A-4**  
**External Monitor**



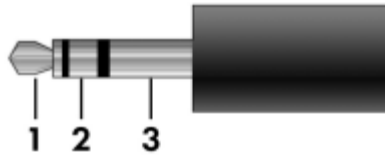
| Pin | Signal        | Pin | Signal          |
|-----|---------------|-----|-----------------|
| 1   | Red analog    | 9   | +5 VDC          |
| 2   | Green analog  | 10  | Ground          |
| 3   | Blue analog   | 11  | Monitor detect  |
| 4   | Not connected | 12  | DDC 2B data     |
| 5   | Ground        | 13  | Horizontal sync |
| 6   | Ground analog | 14  | Vertical sync   |
| 7   | Ground analog | 15  | DDC 2B clock    |
| 8   | Ground analog |     |                 |

**Table A-5**  
**RJ-11 (Modem)**



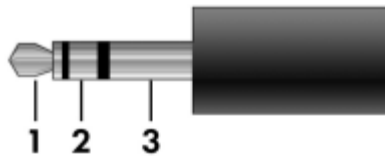
| <b>Pin</b> | <b>Signal</b> | <b>Pin</b> | <b>Signal</b> |
|------------|---------------|------------|---------------|
| 1          | Unused        | 4          | Unused        |
| 2          | Tip           | 5          | Unused        |
| 3          | Ring          | 6          | Unused        |

**Table A-6**  
**Audio-In (Microphone)**



| Pin | Signal          | Pin | Signal |
|-----|-----------------|-----|--------|
| 1   | Audio signal in | 3   | Ground |
| 2   | Audio signal in |     |        |

**Table A-7**  
**Audio-Out (Headphone)**



| Pin | Signal                   | Pin | Signal |
|-----|--------------------------|-----|--------|
| 1   | Audio out, left channel  | 3   | Ground |
| 2   | Audio out, right channel |     |        |

---

## Power Cord Set Requirements

### 3-Conductor Power Cord Set

The wide range input feature of the computer permits it to operate from any line voltage from 100 to 120 or 220 to 240 volts AC.

The power cord set included with the computer meets the requirements for use in the country where the equipment is purchased.

Power cord sets for use in other countries must meet the requirements of the country where the computer is used.

## General Requirements

The requirements listed below are applicable to all countries.

- The length of the power cord set must be at least 1.5 m (5.0 ft) and a maximum of 2.0 m (6.5 ft).
- All power cord sets must be approved by an acceptable accredited agency responsible for evaluation in the country where the power cord set will be used.
- The power cord sets must have a minimum current capacity of 10 amps and a nominal voltage rating of 125 or 250 V AC, as required by each country's power system.
- The appliance coupler must meet the mechanical configuration of an EN 60 320/IEC 320 Standard Sheet C13 connector for mating with the appliance inlet on the back of the computer.

## Country-Specific Requirements

### 3-Conductor Power Cord Set Requirements

| Country   | Accredited Agency | Applicable Note Number |
|-----------|-------------------|------------------------|
| Australia | EANSW             | 1                      |
| Austria   | OVE               | 1                      |
| Belgium   | CEBC              | 1                      |
| Canada    | CSA               | 2                      |
| Denmark   | DEMKO             | 1                      |
| Finland   | FIMKO             | 1                      |
| France    | UTE               | 1                      |
| Germany   | VDE               | 1                      |
| Italy     | IMQ               | 1                      |
| Japan     | METI              | 3                      |



#### NOTES:

1. The flexible cord must be <HAR> Type HO5VV-F, 3-conductor, 1.0 mm<sup>2</sup> conductor size. Power cord set fittings (appliance coupler and wall plug) must bear the certification mark of the agency responsible for evaluation in the country where it will be used.
2. The flexible cord must be Type SPT-3 or equivalent, No. 18 AWG, 3-conductor. The wall plug must be a two-pole grounding type with a NEMA 5-15P (15 A, 125 V) or NEMA 6-15P (15 A, 250 V) configuration.
3. The appliance coupler, flexible cord, and wall plug must bear a “T” mark and registration number in accordance with the Japanese Dentori Law. The flexible cord must be Type VCT or VCTF, 3-conductor, 1.00 mm<sup>2</sup> conductor size. The wall plug must be a two-pole grounding type with a Japanese Industrial Standard C8303 (7 A, 125 V) configuration.

---

### 3-Conductor Power Cord Set Requirements (*Continued*)

---

| Country                    | Accredited Agency | Applicable Note Number |
|----------------------------|-------------------|------------------------|
| Korea                      | EK                | 4                      |
| The Netherlands            | KEMA              | 1                      |
| Norway                     | NEMKO             | 1                      |
| People's Republic of China | CCC               | 5                      |
| Sweden                     | SEMKO             | 1                      |
| Switzerland                | SEV               | 1                      |
| Taiwan                     | BSMI              | 4                      |
| United Kingdom             | BSI               | 1                      |
| United States              | UL                | 2                      |

---



#### NOTES:

1. The flexible cord must be <HAR> Type HO5VV-F, 3-conductor, 1.0 mm<sup>2</sup> conductor size. Power cord set fittings (appliance coupler and wall plug) must bear the certification mark of the agency responsible for evaluation in the country where it will be used.
  2. The flexible cord must be Type SPT-3 or equivalent, No. 18 AWG, 3-conductor. The wall plug must be a two-pole grounding type with a NEMA 5-15P (15 A, 125 V) or NEMA 6-15P (15 A, 250 V) configuration.
  3. The appliance coupler, flexible cord, and wall plug must bear a “T” mark and registration number in accordance with the Japanese Dentori Law. The flexible cord must be Type VCT or VCTF, 3-conductor, 1.00 mm<sup>2</sup> conductor size. The wall plug must be a two-pole grounding type with a Japanese Industrial Standard C8303 (7 A, 125 V) configuration.
  4. The flexible cord must be Type VCTF, 3-conductor, 0.75 mm<sup>2</sup> conductor size. Power cord set fittings (appliance coupler and wall plug) must bear the certification mark of the agency responsible for evaluation in the country where it will be used.
  5. The flexible cord must be Type RVV, 3-conductor, 0.75 mm<sup>2</sup> conductor size. Power cord set fittings (appliance coupler and wall plug) must bear the certification mark of the agency responsible for evaluation in the country where it will be used.
-

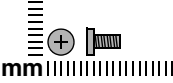
---

## Screw Listing

This appendix provides specification and reference information for the screws used in the computer. All screws listed in this appendix are available in the Miscellaneous Screw Kits, spare part numbers 367776-001 (for use on HP Pavilion dv1000 models) and 373534-001 (for use on HP Compaq nx4800 and Compaq Presario V2000 models).

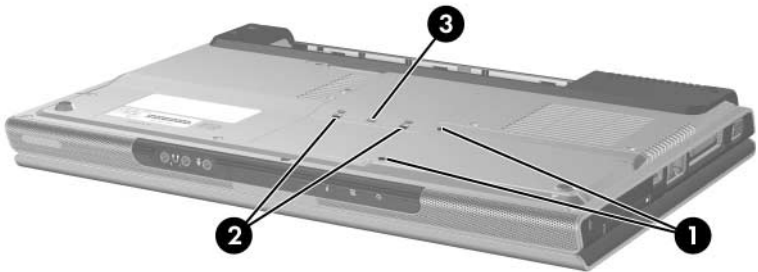


**Table C-1**  
**Phillips PM2.0x5.0 Screw**

|  | Color | Qty. | Length | Thread | Head Width |
|---|-------|------|--------|--------|------------|
|   | Black | 10   | 5.0 mm | 2.0 mm | 4.0 mm     |

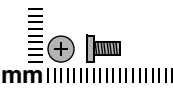
**Where used:**

- ① Two screws that secure the hard drive cover to the computer (screws are captured on the cover by C clips; documented in [Section 5.4](#))
- ② Two screws that secure the memory module compartment cover to the computer (screws are captured on the cover by C clips; documented in [Section 5.6](#))
- ③ One screw that secures the Mini PCI compartment cover to the computer (screw is captured on the cover by C clips; documented in [Section 5.7](#))



*Phillips PM2.0x5.0 Screw Locations*

**Table C-1**  
**Phillips PM2.0x5.0 Screw (Continued)**

|  | Color | Qty. | Length | Thread | Head Width |
|---|-------|------|--------|--------|------------|
|   | Black | 10   | 5.0 mm | 2.0 mm | 4.0 mm     |

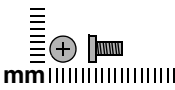
**Where used:**

4 screws that secure the display assembly on the HP Compaq nx4800 and Compaq Presario V2000 (documented in [Section 5.11](#))



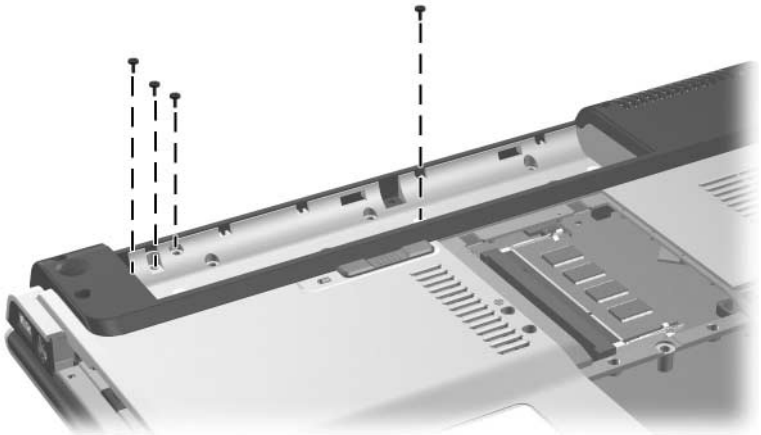
*Phillips PM2.0x5.0 Screw Locations*

**Table C-1**  
**Phillips PM2.0x5.0 Screw (Continued)**

|  | Color | Qty. | Length | Thread | Head Width |
|---|-------|------|--------|--------|------------|
|   | Black | 10   | 5.0 mm | 2.0 mm | 4.0 mm     |

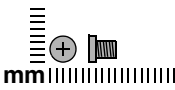
**Where used:**

One screw that secures the base enclosure on the HP Pavilion dv1000 (documented in [Section 5.12](#))



*Phillips PM2.0x5.0 Screw Locations*

**Table C-2**  
**Phillips PM2.5×4.0 Screw**

|  | Color  | Qty. | Length | Thread | Head Width |
|---|--------|------|--------|--------|------------|
|   | Silver | 4    | 4.0 mm | 2.5 mm | 4.0 mm     |

**Where used:**

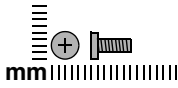
4 screws that secure the hard drive frame to the hard drive (documented in [Section 5.4](#))



*Phillips PM2.5×4.0 Screw Locations*

**Table C-3**  
**Phillips PM2.0×7.0 Screw**

---



| Color | Qty. | Length | Thread | Head Width |
|-------|------|--------|--------|------------|
| Black | 18   | 7.0 mm | 2.0 mm | 4.0 mm     |

---

**Where used:**

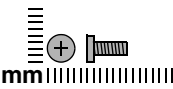
One screw that secures the optical drive to the computer (documented in [Section 5.8](#))

---



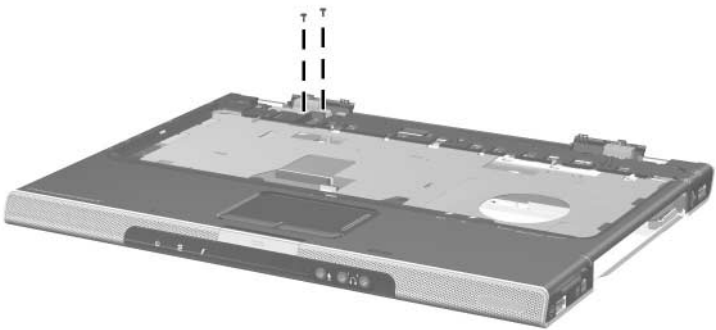
*Phillips PM2.0×7.0 Screw Location*

**Table C-3**  
**Phillips PM2.0x7.0 Screw (Continued)**

|  | Color | Qty. | Length | Thread | Head Width |
|---|-------|------|--------|--------|------------|
|   | Black | 18   | 7.0 mm | 2.0 mm | 4.0 mm     |

**Where used:**

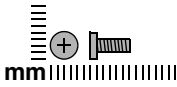
2 screws that secure the base enclosure on the HP Pavilion dv1000  
 (documented in [Section 5.12](#))



*Phillips PM2.0x6.0 Screw Locations*

**Table C-3**

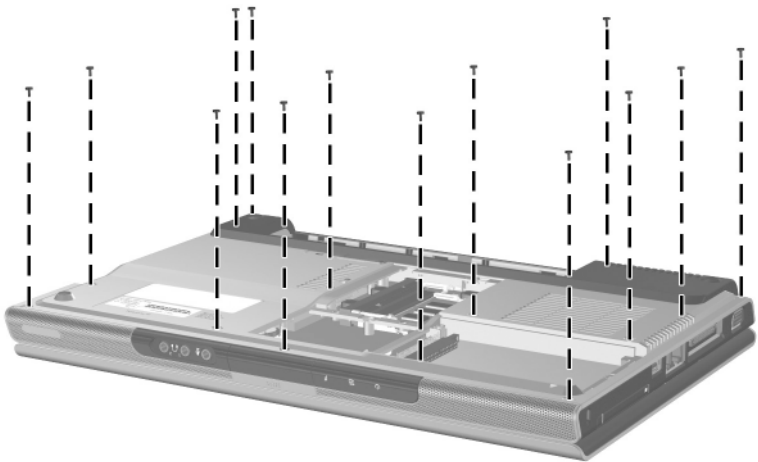
**Phillips PM2.0x6.0 Screw (Continued)**



| Color | Qty. | Length | Thread | Head Width |
|-------|------|--------|--------|------------|
| Black | 18   | 7.0 mm | 2.0 mm | 4.0 mm     |

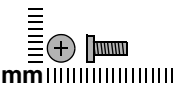
**Where used:**

14 screws that secure the base enclosure on the HP Pavilion dv1000 (documented in [Section 5.12](#))



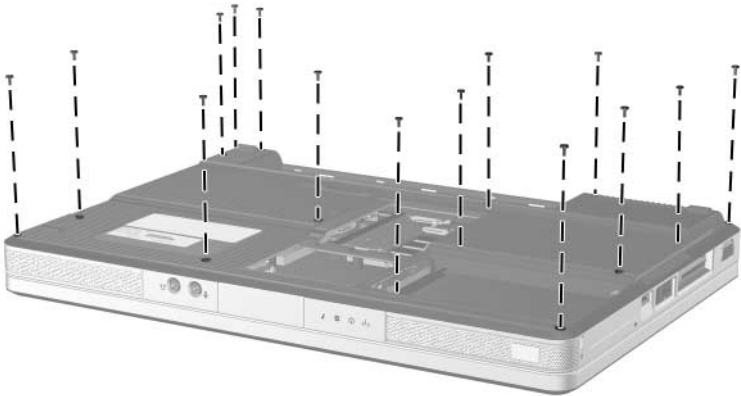
*Phillips PM2.0x6.0 Screw Locations*

**Table C-3**  
**Phillips PM2.0x6.0 Screw (Continued)**

|  | Color | Qty. | Length | Thread | Head Width |
|---|-------|------|--------|--------|------------|
|   | Black | 18   | 7.0 mm | 2.0 mm | 4.0 mm     |

**Where used:**

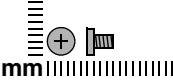
15 screws that secure the base enclosure on the HP Compaq nx4800 and Compaq Presario V2000 (documented in [Section 5.12](#))



*Phillips PM2.0x6.0 Screw Locations*

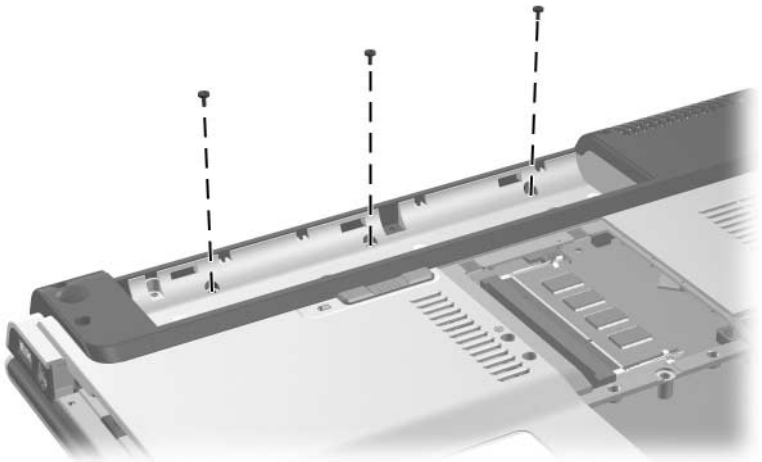


**Table C-4**  
**Phillips PM2.0x4.0 Screw**

|  mm | Color | Qty. | Length | Thread | Head Width |
|--|-------|------|--------|--------|------------|
|  | Black | 19   | 4.0 mm | 2.0 mm | 4.0 mm     |

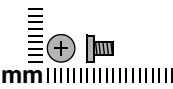
**Where used:**

3 screws that secure the switch cover on the HP Pavilion dv1000 (documented in [Section 5.9](#))



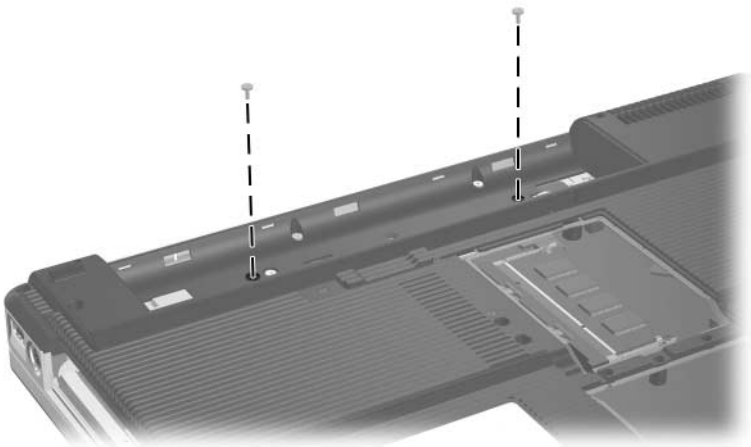
*Phillips PM2.0x4.0 Screw Locations*

**Table C-4**  
**Phillips PM2.0x4.0 Screw (Continued)**

|  | Color | Qty. | Length | Thread | Head Width |
|---|-------|------|--------|--------|------------|
|   | Black | 19   | 4.0 mm | 2.0 mm | 4.0 mm     |

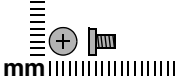
**Where used:**

2 screws that secure the switch cover on the HP Compaq nx4800 and Compaq Presario V2000 (documented in [Section 5.9](#))



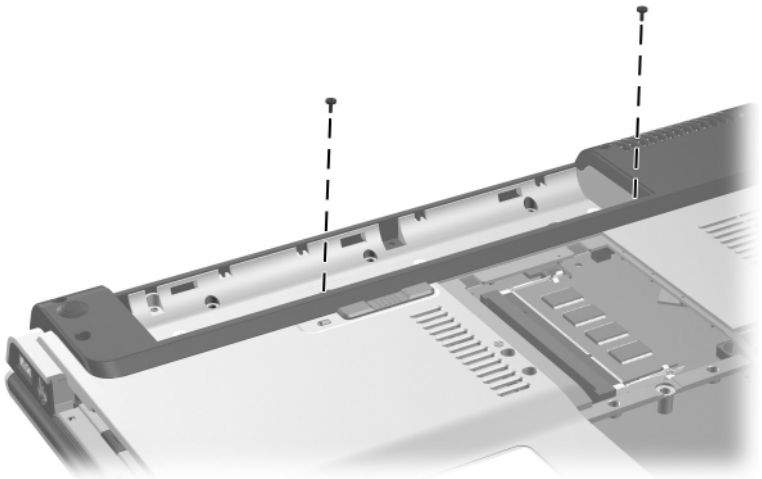
*Phillips PM2.0x4.0 Screw Locations*

**Table C-4**  
**Phillips PM2.0x4.0 Screw (Continued)**

|  | Color | Qty. | Length | Thread | Head Width |
|---|-------|------|--------|--------|------------|
|   | Black | 19   | 4.0 mm | 2.0 mm | 4.0 mm     |

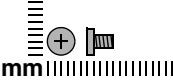
**Where used:**

2 screws that secure the keyboard on the HP Pavilion dv1000 (documented in [Section 5.10](#))



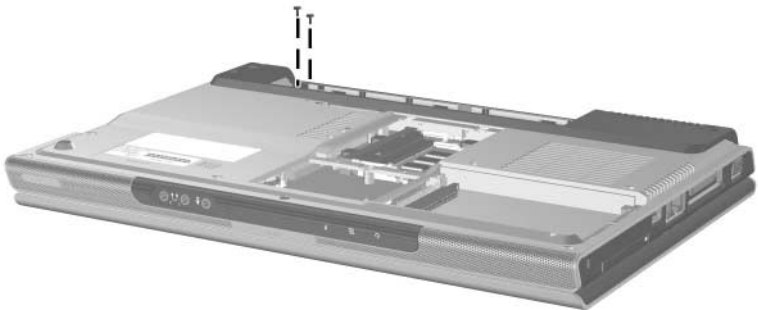
*Phillips PM2.0x4.0 Screw Locations*

**Table C-4**  
**Phillips PM2.0×4.0 Screw (Continued)**

|  | Color | Qty. | Length | Thread | Head Width |
|---|-------|------|--------|--------|------------|
|   | Black | 19   | 4.0 mm | 2.0 mm | 4.0 mm     |

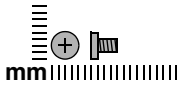
**Where used:**

2 screws that secure the base enclosure on the HP Pavilion dv1000  
 (documented in [Section 5.12](#))



*Phillips PM2.0×4.0 Screw Locations*

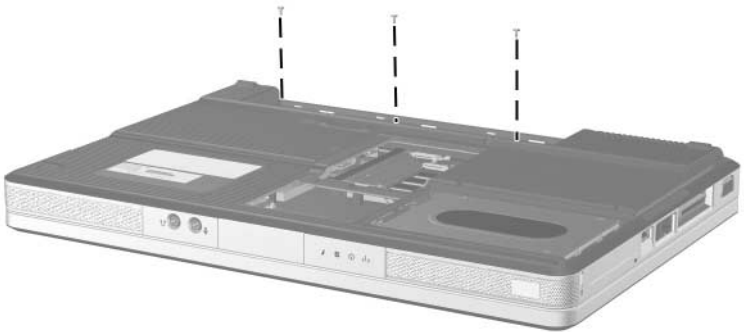
**Table C-4**  
**Phillips PM2.0x4.0 Screw (Continued)**



| Color | Qty. | Length | Thread | Head Width |
|-------|------|--------|--------|------------|
| Black | 19   | 4.0 mm | 2.0 mm | 4.0 mm     |

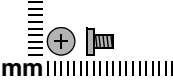
**Where used:**

3 screws that secure the base enclosure on the HP Compaq nx4800 and Compaq Presario V2000 (documented in [Section 5.12](#))



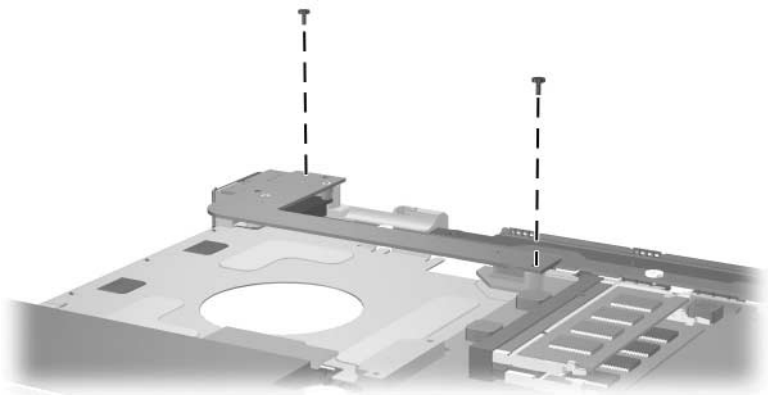
*Phillips PM2.0x4.0 Screw Locations*

**Table C-4**  
**Phillips PM2.0×4.0 Screw (Continued)**

|  | Color | Qty. | Length | Thread | Head Width |
|---|-------|------|--------|--------|------------|
|   | Black | 19   | 4.0 mm | 2.0 mm | 4.0 mm     |

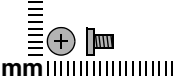
**Where used:**

2 screws that secure the USB/S-Video controller board to the computer (documented in [Section 5.13](#))



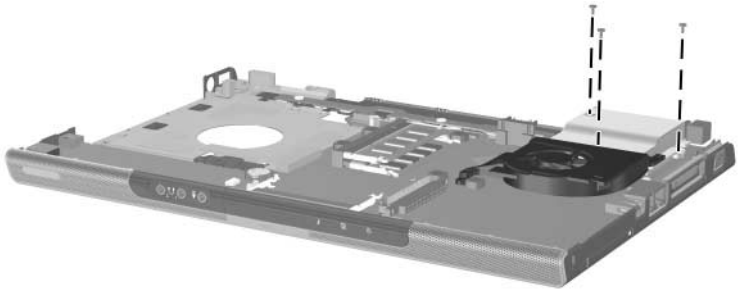
*Phillips PM2.0×4.0 Screw Locations*

**Table C-4**  
**Phillips PM2.0x4.0 Screw (Continued)**

|  | Color | Qty. | Length | Thread | Head Width |
|---|-------|------|--------|--------|------------|
|   | Black | 19   | 4.0 mm | 2.0 mm | 4.0 mm     |

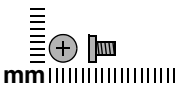
**Where used:**

3 screws that secure the heat sink to the computer (documented in [Section 5.17](#))



*Phillips PM2.0x4.0 Screw Locations*

**Table C-4**  
**Phillips PM2.0x4.0 Screw (Continued)**

|  | Color | Qty. | Length | Thread | Head Width |
|---|-------|------|--------|--------|------------|
|   | Black | 19   | 4.0 mm | 2.0 mm | 4.0 mm     |

**Where used:**

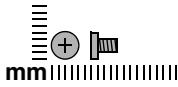
2 screws that secure the fan to the heat sink (documented in [Section 5.18](#))



*Phillips PM2.0x4.0 Screw Locations*



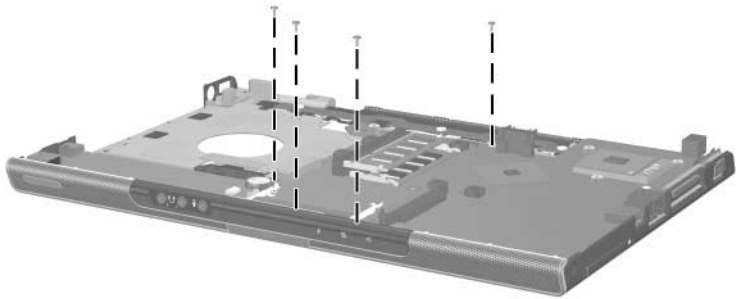
**Table C-4**  
**Phillips PM2.0x4.0 Screw (Continued)**



| Color | Qty. | Length | Thread | Head Width |
|-------|------|--------|--------|------------|
| Black | 19   | 4.0 mm | 2.0 mm | 4.0 mm     |

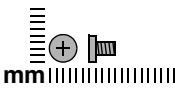
**Where used:**

4 screws that secure the system board on the HP Pavilion dv1000 (documented in [Section 5.20](#))



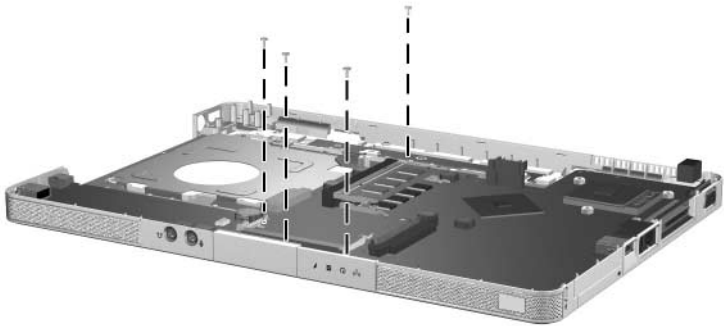
*Phillips PM2.0x4.0 Screw Locations*

**Table C-4**  
**Phillips PM2.0×4.0 Screw (Continued)**

|  | Color | Qty. | Length | Thread | Head Width |
|---|-------|------|--------|--------|------------|
|   | Black | 19   | 4.0 mm | 2.0 mm | 4.0 mm     |

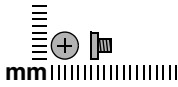
**Where used:**

4 screws that secure the system board on the HP Compaq nx4800 and Compaq Presario V2000 (documented in [Section 5.20](#))



*Phillips PM2.0×4.0 Screw Locations*

**Table C-5**  
**Phillips PM2.0×3.0 Screw**



| Color | Qty. | Length | Thread | Head Width |
|-------|------|--------|--------|------------|
| Black | 10   | 3.0 mm | 2.0 mm | 4.0 mm     |

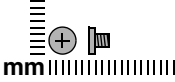
**Where used:**

4 screws that secure the keyboard on the HP Compaq nx4800 and Compaq Presario V2000 (documented in [Section 5.10](#))



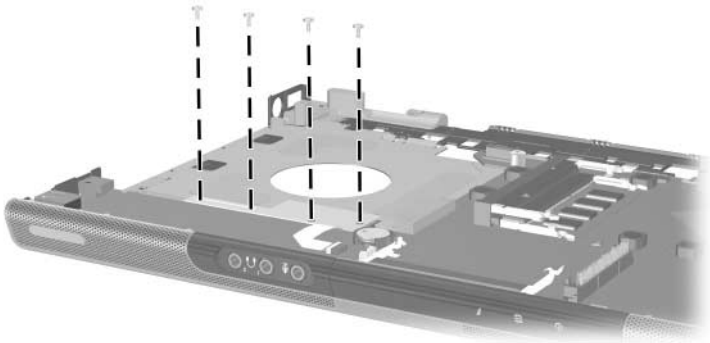
*Phillips PM2.0×3.0 Screw Locations*

**Table C-5**  
**Phillips PM2.0×3.0 Screw (Continued)**

|  | Color | Qty. | Length | Thread | Head Width |
|---|-------|------|--------|--------|------------|
|   | Black | 10   | 3.0 mm | 2.0 mm | 4.0 mm     |

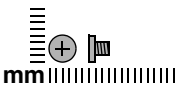
**Where used:**

4 screws that secure the menu control button board on the HP Pavilion dv1000 (documented in [Section 5.16](#))



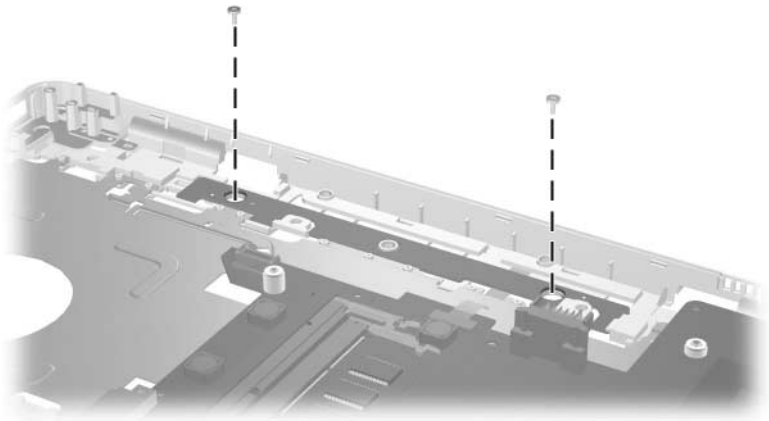
*Phillips PM2.0×3.0 Screw Locations*

**Table C-5**  
**Phillips PM2.0x3.0 Screw (Continued)**

|  | Color | Qty. | Length | Thread | Head Width |
|---|-------|------|--------|--------|------------|
|   | Black | 10   | 3.0 mm | 2.0 mm | 4.0 mm     |

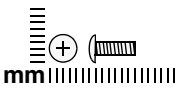
**Where used:**

2 screws that secure the LED board on the HP Compaq nx4800 and Compaq Presario V2000 (documented in [Section 5.21](#))



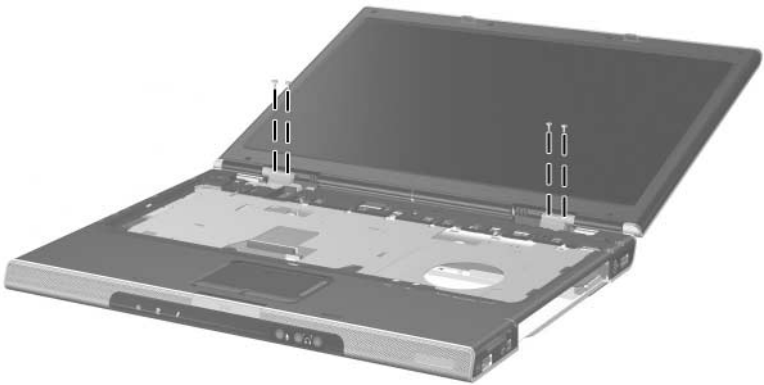
*Phillips PM2.0x3.0 Screw Locations*

**Table C-6**  
**Phillips PM2.0×7.0 Round Head Screw**

|  | Color | Qty.   | Length | Thread | Head Width |
|---|-------|--------|--------|--------|------------|
| Silver  | 4     | 7.0 mm | 2.0 mm | 4.0 mm |            |

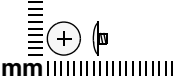
**Where used:**

4 screws that secure the display assembly on the HP Pavilion dv1000 (documented in [Section 5.11](#))



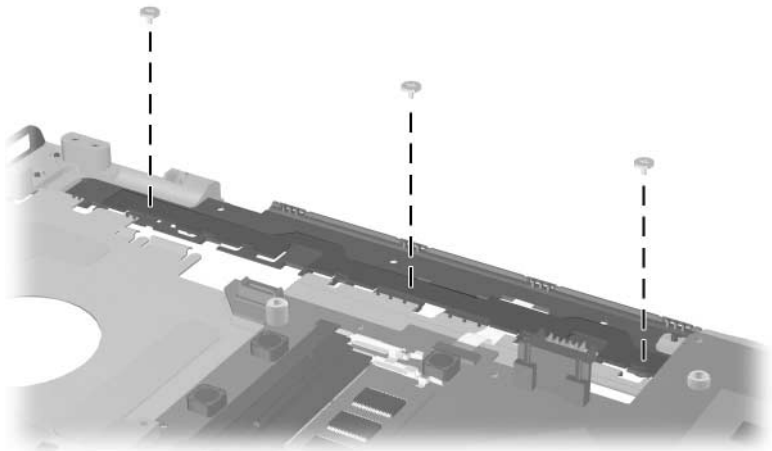
*Phillips PM2.0×5.0 Round Head Screw Locations*

**Table C-7**  
**Phillips PM1.5x2.0 Screw**

|  | Color | Qty. | Length | Thread | Head Width |
|---|-------|------|--------|--------|------------|
|   | Black | 3    | 2.0 mm | 1.5 mm | 6.0 mm     |

**Where used:**

3 screws that secure the LED board on the HP Pavilion dv1000 (documented in [Section 5.21](#))



*Phillips PM1.5x2.0 Screw Locations*

---

# Index

1394 port 1-11, 1-13  
6-in-1 Digital Media Reader  
  light 1-11, 1-13  
6-in-1 Digital Media Reader  
  slot 1-11, 1-13  
6-in-1 Memory Reader light  
  1-13  
6-in-1 Memory Reader slot  
  1-13

## A

AC adapter, spare part number  
  3-25, 3-32  
arrow keys 1-19, 1-21  
audio troubleshooting 2-23  
audio-in (microphone) jack  
  location 1-7, 1-9  
  pin assignments A-6  
audio-out (headphone) jack  
  location 1-7, 1-9  
  pin assignments A-6

## B

Back button 1-27  
base enclosure  
  removal 5-35  
  spare part numbers 3-15,  
  3-27, 5-35  
battery light 1-7, 1-9

battery pack  
  location 1-32, 1-34  
  removal 5-5  
  spare part numbers 3-15,  
  3-27, 3-36, 5-5  
  specifications 6-5  
battery pack release latch  
  1-32, 1-34  
bottom components 1-32,  
  1-34

## C

cables, service considerations  
  4-2  
**caps lock** key 1-19, 1-21  
caps lock light 1-27, 1-28  
components  
  bottom 1-32, 1-34  
  front 1-6, 1-8  
  keyboard 1-18, 1-20  
  left-side 1-14, 1-16  
  rear 1-14, 1-16  
  right-side 1-10, 1-12  
  top 1-22, 1-24, 1-26,  
  1-28, 1-30  
computer feet  
  illustrated 3-20  
  locations 5-10



- Computer Setup
  - Advanced Menu 2–4
  - Main Menu 2–2
  - overview 2–1
  - Security Menu 2–3
  - Tools Menu 2–4
- computer specifications 6–1
- connector pin assignments
  - external monitor A–4
  - headphone A–6
  - microphone A–6
  - monitor A–4
  - RJ-11 (modem) A–5
  - RJ-45 (network) A–2
  - S-Video-out A–3
  - Universal Serial Bus (USB) A–1
- connectors, service considerations 4–2
- D**
- design overview 1–36
- disassembly sequence chart 5–3
- diskette drive
  - OS loading problems 2–19
  - spare part number 3–24
- display assembly
  - removal 5–30
  - spare part numbers 3–3, 3–30, 3–31, 3–32, 3–33, 5–30
  - specifications 6–3
- display hinge brackets, spare part number 3–3
- display hinge covers, spare part number 3–3, 3–35, 3–36
- display release button 1–7, 1–9
- display switch 1–22, 1–28
- DMA specifications 6–16
- docking device,
  - troubleshooting 2–14
- drives, preventing damage 4–2
- DVD button 1–23
- DVD±RW/R and CD-RW Combo Drive
  - OS loading problems 2–20
  - precautions 4–2
  - removal 5–16
  - spare part numbers 3–15, 3–17, 3–23, 3–34, 3–35, 3–36, 5–16
  - specifications 6–8
- DVD/CD-RW Combo Drive
  - OS loading problems 2–20
  - precautions 4–2
  - removal 5–16
  - spare part numbers 3–15, 3–17, 3–23, 3–31, 3–33, 5–16
  - specifications 6–6
- DVD±RW/R and CD-RW Combo Drive
  - OS loading problems 2–20
  - precautions 4–2
  - removal 5–16
  - spare part numbers 3–15, 3–17, 3–23, 5–16
  - specifications 6–10, 6–12

- DVD-ROM drive
  - OS loading problems 2–20
  - precautions 4–2
  - removal 5–16
  - spare part numbers 3–15, 3–17, 3–23, 3–31, 3–33, 5–16
  - specifications 6–14
- E**
- electrostatic discharge 4–3, 4–7
- EMI Gasket Kit, spare part number 3–36
- exhaust vents 1–15, 1–17, 1–33, 1–35
- expansion port 1–15, 1–17
- external monitor port
  - location 1–15, 1–17
  - pin assignments A–4
- F**
- f1** to **f12** keys 1–19, 1–21
- fan
  - removal 5–50
  - spare part number 3–11, 3–31, 5–50
- features 1–2
- feet
  - illustrated 3–20
  - locations 5–10
- flowcharts, troubleshooting
  - no audio 2–23, 2–24
  - no network/modem connection 2–28
  - no OS loading 2–15
  - no OS loading from diskette drive 2–19
  - no OS loading from hard drive 2–16, 2–17, 2–18
  - no power 2–8, 2–10, 2–11
  - no video 2–12, 2–13
  - nonfunctioning device 2–25
  - nonfunctioning expansion base 2–14
  - nonfunctioning keyboard 2–26
  - nonfunctioning pointing device 2–27
- fn** key 1–19, 1–21
- front components 1–6, 1–8
- G**
- grounding equipment and methods 4–6
- H**
- hard drive
  - OS loading problems 2–16
  - precautions 4–2
  - removal 5–6
  - spare part numbers 3–17, 3–22, 3–23, 3–31, 3–34, 3–35, 5–6
  - specifications 6–4
- hard drive bay 1–33, 1–35
- hard drive cover
  - illustrated 3–20
  - removal 5–7
- headphone jack
  - location 1–7, 1–9
  - pin assignments A–6

headset, spare part number  
3–25, 3–31

heat sink  
removal 5–48  
spare part number 3–11,  
3–31, 5–48

## I

I/O address specifications  
6–19

IDE drive light 1–7, 1–9

interrupt specifications 6–17

## K

keyboard  
removal 5–24  
spare part numbers 3–7,  
3–9, 3–28, 3–29, 3–30,  
5–24  
troubleshooting 2–26

keyboard components 1–18,  
1–20

keypad keys 1–19, 1–21

## L

label area 1–33, 1–35

LED board  
removal 5–62  
spare part numbers 3–9,  
3–31, 5–62

left-side components 1–14,  
1–16

Logo Kit, spare part number  
3–25, 3–32, 3–33

## M

mass storage devices, spare  
part numbers 3–22

memory map specifications  
6–22

memory module  
removal 5–10  
spare part numbers 3–19,  
3–28, 5–10

memory module compartment  
cover  
illustrated 3–20  
removal 5–11

menu control button board  
removal 5–45  
spare part number 3–15,  
3–33, 5–45

microphone jack  
location 1–7, 1–9  
pin assignments A–6

Mini PCI communications  
card  
removal 5–13  
spare part numbers 3–19,  
3–32, 3–33, 3–35

Mini PCI compartment 1–33,  
1–35

Mini PCI compartment cover  
illustrated 3–20  
removal 5–14

Miscellaneous Plastics Kit  
contents 3–19, 3–20, 3–21,  
3–27  
spare part numbers 3–19,  
3–21, 3–27

- modem jack
  - location 1-15, 1-17
  - pin assignments A-5
- modem, troubleshooting 2-28
- monitor port
  - location 1-15, 1-17
  - pin assignments A-4
- mouse, spare part number 3-25, 3-27
- Music button 1-23
- mute button 1-25, 1-29
- mute light 1-25, 1-29
- N**
- network jack
  - location 1-15, 1-17
  - pin assignments A-2
- network, troubleshooting 2-28
- Next/Fast Forward button 1-25
- nonfunctioning device,
  - troubleshooting 2-14, 2-25
- num lock** key 1-19, 1-21
- num lock light 1-27, 1-29
- O**
- OK button 1-27
- operating system loading,
  - troubleshooting 2-15
- optical drive
  - location 1-11, 1-13, 1-32, 1-34
  - OS loading problems 2-20
  - precautions 4-2
  - removal 5-16
  - spare part numbers 3-15, 3-17, 3-23, 3-31, 3-33, 3-34, 3-35, 3-36
- P**
- packing precautions 4-4
- PC Card assembly, spare part numbers 3-13, 3-36
- PC Card eject buttons 1-15, 1-17
- PC Card slots 1-15, 1-17
- plastic parts 4-2
- Play/Pause button 1-23
- pointing device,
  - troubleshooting 2-27
- power button 1-22, 1-29
- power button light 1-27
- power connector 1-15, 1-17
- power cord
  - set requirements B-2
  - spare part numbers 3-26, 3-34
- power management features 1-5
- power, troubleshooting 2-8
- power/standby light 1-7, 1-9, 1-29
- Previous/Rewind button 1-23
- processor
  - removal 5-52
  - spare part numbers 3-11, 3-27, 3-32, 3-34, 3-35, 3-36, 5-52

**Q**

QuickPlay, no OS loading  
2-21, 2-22

**R**

rear components 1-14, 1-16

remote control, spare part  
number 3-25, 3-32

removal

preliminaries 4-1

procedures 5-1

replacement

preliminaries 4-1

procedures 5-1

right-side components 1-10,  
1-12

RJ-11 (modem) jack

location 1-15, 1-17

pin assignments A-5

RJ-45 (network) jack

location 1-15, 1-17

pin assignments A-2

RTC battery, removal 5-44

**S**

Screw Kit, spare part number  
3-25, 3-28, 3-33

screw listing C-1

security cable slot 1-15, 1-17

serial number 3-1, 5-2

service considerations 4-1

speaker assembly

removal 5-42

spare part numbers 3-15,

3-31, 3-34, 5-42

speakers 1-7, 1-9

specifications

battery pack 6-5

computer 6-1

display 6-3

DMA 6-16

DVD+RW/R and CD-RW

Combo Drive 6-8

DVD/CD-RW Combo

Drive 6-6

DVD±RW/R and CD-RW

Combo Drive 6-10, 6-12

DVD-ROM drive 6-14

hard drive 6-4

I/O addresses 6-19

interrupts 6-17

memory map 6-22

static shielding materials 4-7

Stop button 1-25

S-Video-out jack

location 1-11, 1-13

pin assignments A-3

switch cover

removal 5-18

spare part numbers 3-5,

3-30, 3-33, 5-18

system board

removal 5-54

spare part numbers 3-13,

3-31, 3-33, 3-35, 3-36,

5-54

system memory map 6-22

**T**

- tools required 4-1
- top components 1-22, 1-24, 1-26, 1-28, 1-30
- top cover, spare part numbers 3-9, 3-27, 3-33
- TouchPad
  - buttons 1-27, 1-31
  - horizontal scrolling region 1-31
  - light 1-27, 1-31
  - location 1-27, 1-31
  - on/off button 1-27, 1-31
  - vertical scroll region 1-27, 1-31
- transporting precautions 4-4
- troubleshooting
  - audio 2-23
  - Computer Setup 2-1
  - docking device 2-14
  - flowcharts 2-5
  - keyboard 2-26
  - modem 2-28
  - network 2-28
  - no OS loading for
    - QuickPlay application 2-21, 2-22
  - nonfunctioning device 2-14, 2-25
  - OS loading 2-15
  - overview 2-1
  - pointing device 2-27
  - power 2-8
  - video 2-12

**U**

- Universal Serial Bus (USB)
  - connector
    - location 1-11, 1-13, 1-15, 1-17
    - pin assignments A-1
- USB digital drive, spare part number 3-24, 3-27
- USB diskette drive, spare part number 3-27
- USB pocket drive, spare part number 3-24
- USB travel mouse, spare part number 3-25, 3-27
- USB/S-Video controller board
  - removal 5-40
  - spare part numbers 3-13, 3-31, 3-33, 5-40

**V**

- video recorder, spare part number 3-25, 3-27
- video troubleshooting 2-12
- volume buttons 1-25, 1-29

**W**

- Windows applications key 1-19, 1-21
- Windows logo key 1-19, 1-21
- wireless button 1-25, 1-29
- wireless button light 1-9
- wireless light 1-14, 1-29
- workstation precautions 4-5

## Free Manuals Download Website

<http://myh66.com>

<http://usermanuals.us>

<http://www.somanuals.com>

<http://www.4manuals.cc>

<http://www.manual-lib.com>

<http://www.404manual.com>

<http://www.luxmanual.com>

<http://aubethermostatmanual.com>

Golf course search by state

<http://golfingnear.com>

Email search by domain

<http://emailbydomain.com>

Auto manuals search

<http://auto.somanuals.com>

TV manuals search

<http://tv.somanuals.com>