



LaserJet Pro M701/M706

User Guide



www.hp.com/support/ljM701
www.hp.com/support/ljM706



HP LaserJet Pro M701/M706

User Guide

Copyright and License

© 2014 Copyright Hewlett-Packard Development Company, L.P.

Reproduction, adaptation, or translation without prior written permission is prohibited, except as allowed under the copyright laws.

The information contained herein is subject to change without notice.

The only warranties for HP products and services are set forth in the express warranty statements accompanying such products and services. Nothing herein should be construed as constituting an additional warranty. HP shall not be liable for technical or editorial errors or omissions contained herein.

Part number: BS602-90908

Edition 1, 3/2014

Trademark Credits

Adobe®, Adobe Photoshop®, Acrobat®, and PostScript® are trademarks of Adobe Systems Incorporated.

Apple and the Apple logo are trademarks of Apple Computer, Inc., registered in the U.S. and other countries. iPod is a trademark of Apple Computer, Inc. iPod is for legal or rightholder-authorized copying only. Don't steal music.

Microsoft®, Windows®, Windows® XP, and Windows Vista® are U.S. registered trademarks of Microsoft Corporation.

UNIX® is a registered trademark of The Open Group.

Table of contents

1 Product introduction	1
Product comparison	2
Product views	4
Product front view	4
Product back view	5
Interface ports	6
Control panel layout	7
Product hardware setup and software installation	8
2 Paper trays	9
Load Tray 1 (multipurpose tray)	10
Tray 1 paper orientation	13
Load Tray 2	15
Tray 2 paper orientation	18
Load Tray 3 (M706n model only)	19
Tray 3 paper orientation	22
3 Parts, supplies, and accessories	23
Order parts, accessories, and supplies	24
Ordering	24
Parts and supplies	24
Accessories	24
Replace the toner cartridge	25
4 Print	29
Print tasks (Windows)	30
How to print (Windows)	30
Automatically print on both sides (Windows)	32
Manually print on both sides (Windows)	33
Print multiple pages per sheet (Windows)	34
Select the paper type (Windows)	35

Additional print tasks	35
Print tasks (Mac OS X)	36
How to print (Mac OS X)	36
Automatically print on both sides (Mac OS X)	36
Manually print on both sides (Mac OS X)	36
Print multiple pages per sheet (Mac OS X)	37
Select the paper type (Mac OS X)	37
Additional print tasks	37
Mobile printing	38
Wireless network printing	38
HP ePrint via email	38
HP ePrint software	38
AirPrint	39
5 Manage the product	41
Change the product connection type (Windows)	42
Configure IP network settings	43
Printer sharing disclaimer	43
View or change network settings	43
Rename the product on a network	43
Manually configure IPv4 TCP/IP parameters from the control panel	44
Advanced configuration with HP Embedded Web Server (EWS) and HP Device Toolbox (Windows)	45
HP Utility for Mac OS X	48
Open HP Utility	48
HP Utility features	48
HP Web Jetadmin	50
Product security features	51
Set or change the product password using the HP Embedded Web Server	51
Economy settings	52
Print with EconoMode	52
Set the Sleep Delay	52
Set the Auto Power Down delay	52
Update the firmware	54
Method one: Update the firmware using the control panel	54
Method two: Update the firmware using the Firmware Update Utility	54
6 Solve problems	57
Customer support	58
Restore the factory-set defaults	59
A “Cartridge is low” or “Cartridge is very low” message displays on the product control panel	60
Change the “Very Low” settings	60

Order supplies	60
Product does not pick up paper or misfeeds	61
The product does not pick up paper	61
The product picks up multiple sheets of paper	61
Clear jams	62
Jam locations	62
Experiencing frequent or recurring paper jams?	62
Clear jams in Tray 1	63
Clear jams in Tray 2	65
Clear jams in Tray 3 (M706n model only)	69
Clear jams in the toner-cartridge area	72
Clear jams in the rear door and fuser area	74
Clear jams in the output bin	76
Clear jams in the optional duplexer (M706n model only)	78
Improve print quality	79
Print from a different software program	79
Check the paper-type setting for the print job	79
Check the paper type setting (Windows)	79
Check the paper type setting (Mac OS X)	79
Check the toner-cartridge status	80
Print a cleaning page	80
Visually inspect the toner cartridge for damage	81
Check paper and the printing environment	81
Step one: Use paper that meets HP specifications	81
Step two: Check the environment	81
Check other print job settings	82
Check the EconoMode settings	82
Try a different print driver	82
Solve wired network problems	84
Poor physical connection	84
The computer is using the incorrect IP address for the product	84
The computer is unable to communicate with the product	84
The product is using incorrect link and duplex settings for the network	85
New software programs might be causing compatibility problems	85
The computer or workstation might be set up incorrectly	85
The product is disabled, or other network settings are incorrect	85

Index	87
--------------------	-----------

1 Product introduction

- [Product comparison](#)
- [Product views](#)
- [Product hardware setup and software installation](#)

For more information:

In the US, go to www.hp.com/support/ljM701 or www.hp.com/support/ljM706.

Outside the US, go to www.hp.com/support. Select your country/region. Click **Troubleshooting**. Enter the product name, and then select **Search**.

HP's all-inclusive help for your product includes the following information:

- Install and configure
- Learn and use
- Solve problems
- Download software updates
- Join support forums
- Find warranty and regulatory information

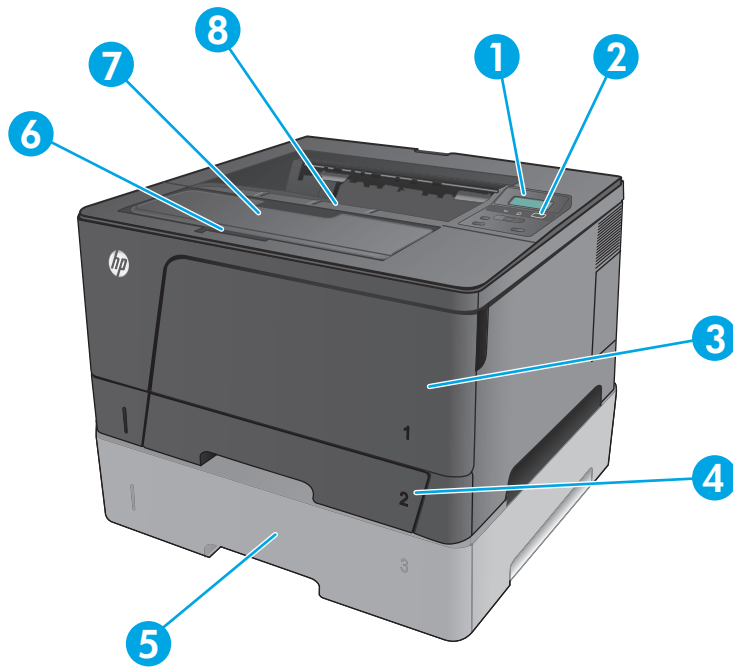
Product comparison

Model name	M701a	M701n	M706n	
Model number	B6500A	B6501A	B6502A	
Paper handling	Tray 1 (100-sheet multipurpose tray)	✓	✓	✓
	Tray 2 (250-sheet input tray)	✓	✓	✓
	Tray 3 (500-sheet input tray accessory)			Optional
	250-sheet output bin	✓	✓	✓
	Duplex printing accessory			Optional
Supported operating systems	Windows XP, 32-bit (Service Pack 2 and higher)	✓	✓	✓
	Windows Vista, 32-bit and 64-bit	✓	✓	✓
	Windows 7, 32-bit and 64-bit	✓	✓	✓
	Windows 8 and 8.1, 32-bit and 64-bit (print driver only)	✓	✓	✓
	Windows Server 2003, 32-bit and 64-bit (print driver only)	✓	✓	✓
	Windows Server 2003 R2, 32-bit (print driver only)	✓	✓	✓
	Windows Server 2008, 32-bit and 64-bit (Service Pack 2; print driver only)	✓	✓	✓
	Windows Server 2008 R2, 32-bit and 64-bit (print driver only)	✓	✓	✓
	Windows Server 2012 (print driver only)	✓	✓	✓
	Windows Server 2012 R2 (print driver only)	✓	✓	✓
	Mac OS X v10.6, OS X v10.7 Lion, OS X v10.8 Mountain Lion, and OS X v10.9 Mavericks	✓	✓	✓
Supported print drivers	The HP PCL 6 print driver is included on the in-box CD as the default print driver. It is automatically installed unless you select a different one.	✓	✓	✓
	For more information and additional driver options, go to www.hp.com/support .			
Connectivity	Hi-Speed USB 2.0	✓	✓	✓
	10/100 Ethernet LAN connection		✓	✓
Memory	256 MB DDR3 RAM	✓	✓	✓
Control-panel display	Two-line LCD screen	✓		
	Two-line LCD screen with ePrint button		✓	✓

Model name	M701a	M701n	M706n
Model number	B6S00A	B6S01A	B6S02A
Print	Prints 31 pages per minute (ppm) on A4-size paper, prints 30 ppm on Letter-size paper, and prints 15 ppm on A3-size paper	✓	✓
	Prints 35 ppm on A4-size and Letter-size paper, prints 18.5 ppm on A3-size paper		✓
	Print resolution is up to 1200x1200 dpi	✓	✓
	Supports HP ePrint	✓	✓

Product views

Product front view



1 Control panel

2 On/off button

3 Tray 1 (pull the handles on the sides to open)

4 Tray 2

5 Optional Tray 3 (M706n model only)

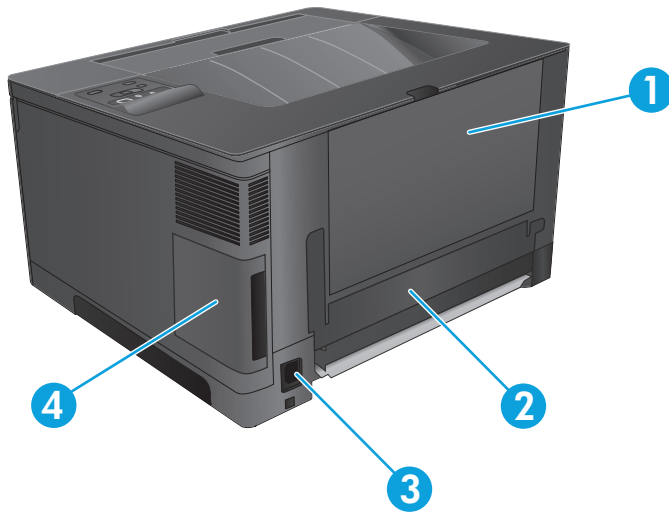
6 Latch to open the front door (access to the toner cartridge)

NOTE: The serial number and model number label is on the inside of the front door.

7 Output-bin extension for long paper

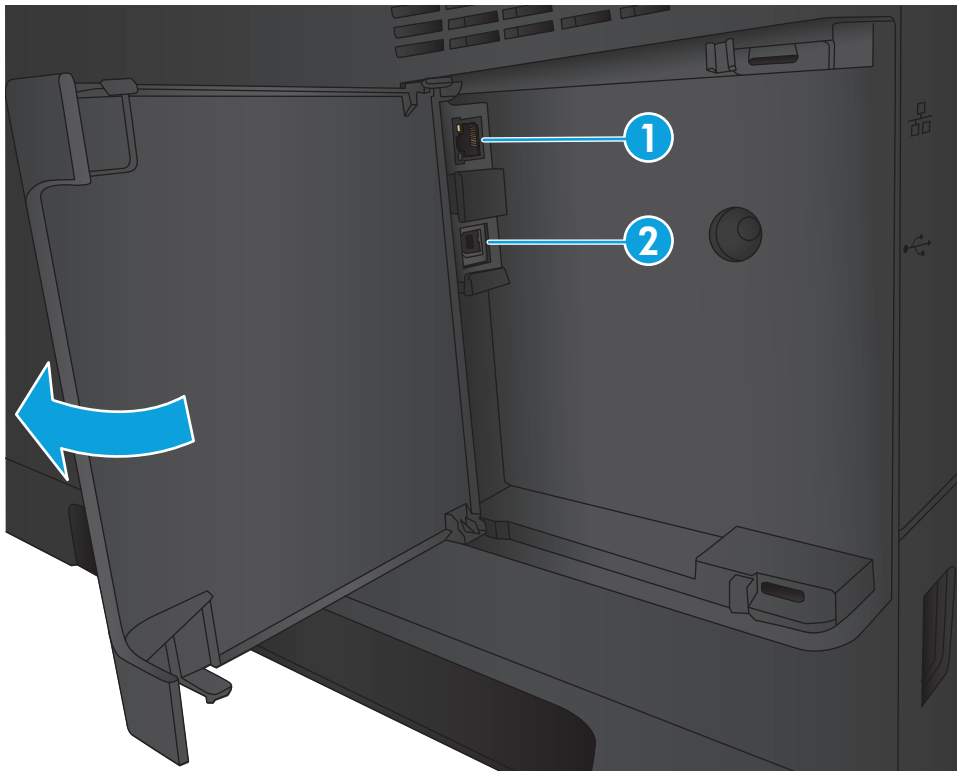
8 Output bin

Product back view



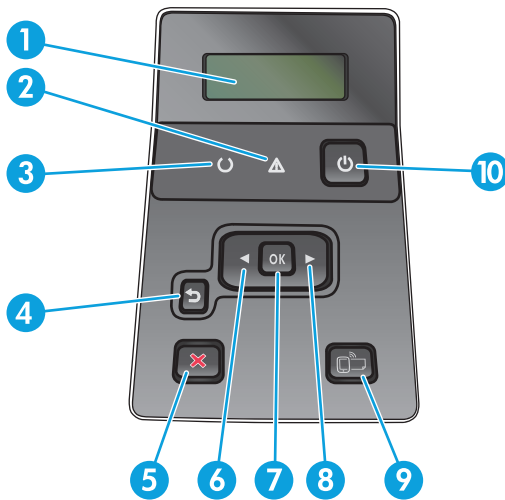
1	Rear door (provides access for clearing jams)
2	Duplex unit door
3	Power connection
4	Port cover

Interface ports



-
- | | |
|---|--------------------------------------------|
| 1 | Network port (M701n and M706n models only) |
| 2 | Hi-Speed USB 2.0 port |
-

Control panel layout



- 1 Control-panel display: The display provides information about the product. Use the menus on the display to establish product settings.
- 2 Attention light (amber): The Attention light blinks when the product requires user attention.
- 3 Ready light (green): The Ready light is on when the product is ready to print. It blinks when the product is receiving print data, or when the product is in sleep mode.
- 4 Back ↶ button: Use this button for the following actions:
 - Exit the control-panel menus.
 - Scroll back to a previous menu in a submenu list.
 - Scroll back to a previous menu item in a submenu list (without saving changes to the menu item).
- 5 Cancel ✕ button: Press this button to cancel a print job whenever the attention light is blinking or to exit the control-panel menus.
- 6 Left arrow ◀ button: Use this button to navigate through the menus or to decrease a value that appears on the display.
- 7 OK button: Press the OK button for the following actions:
 - Open the control-panel menus.
 - Open a submenu displayed on the control-panel display.
 - Select a menu item.
 - Clear some errors.
 - Begin a print job in response to a control-panel prompt (for example, when the message **Press OK to continue** appears on the control-panel display).
- 8 Right arrow ▶ button: Use this button to navigate through the menus or to increase a value that appears on the display.
- 9 ePrint 📧 button: This button provides quick access to HP ePrint features. HP ePrint is a tool that prints documents by using any email-enabled device to send them to the product email address.

(M701n and M706n models only)
- 10 On/off button: This button provides power to the product.

Product hardware setup and software installation

For basic setup instructions, see the Hardware Installation Guide that came with the product. For additional instructions, go to HP support on the Web.

In the US, go to www.hp.com/support/ljM701 or www.hp.com/support/ljM706 for HP's all-inclusive help for your product.

Outside the US, follow these steps:

1. Go to www.hp.com/support.
2. Select your country/region.
3. Click **Troubleshooting**.
4. Enter the product name (HP LaserJet Pro M701/M706), and then select **Search**.

Find the following support:

- Install and configure
- Learn and use
- Solve problems
- Download software updates
- Join support forums
- Find warranty and regulatory information

2 Paper trays

- [Load Tray 1 \(multipurpose tray\)](#)
- [Load Tray 2](#)
- [Load Tray 3 \(M706n model only\)](#)

For more information:


In the US, go to www.hp.com/support/ljM701 or www.hp.com/support/ljM706.

Outside the US, go to www.hp.com/support. Select your country/region. Click **Troubleshooting**. Enter the product name, and then select **Search**.

HP's all-inclusive help for your product includes the following information:

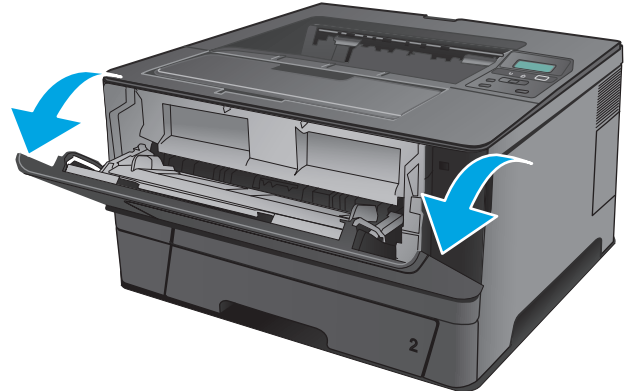
- Install and configure
- Learn and use
- Solve problems
- Download software updates
- Join support forums
- Find warranty and regulatory information

Load Tray 1 (multipurpose tray)

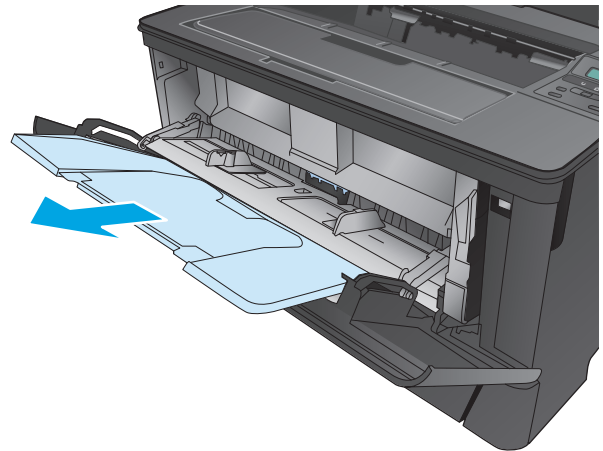
 **NOTE:** Tray 1 holds up to 100 sheets of paper, up to 75 transparencies, up to 50 sheets of labels, or up to 10 envelopes. It supports cut sheet paper weight 60–199 g/m² (16–53 lb); labels and transparencies 0.10 to 0.14 mm thick (4.7 to 5 mils thick); envelopes weight 60 to 90 g/m² (16 to 24 lb); and postcards weight 135 to 176 g/m² (36–47 lb).

For information about the correct paper orientation for loading paper in this tray, see [Tray 1 paper orientation on page 13](#).

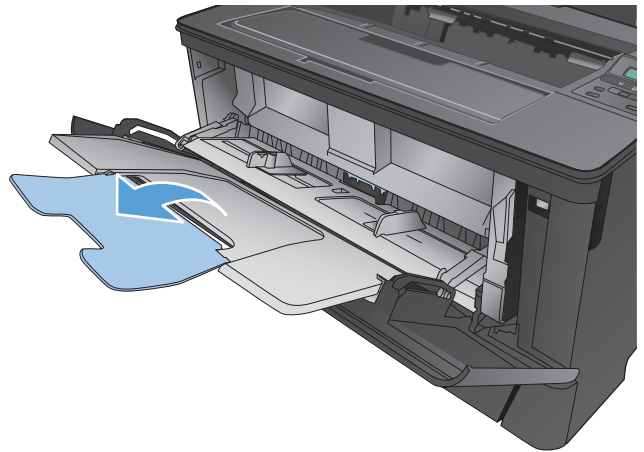
1. Open Tray 1 by grasping the handles on each side of the tray and pulling down.



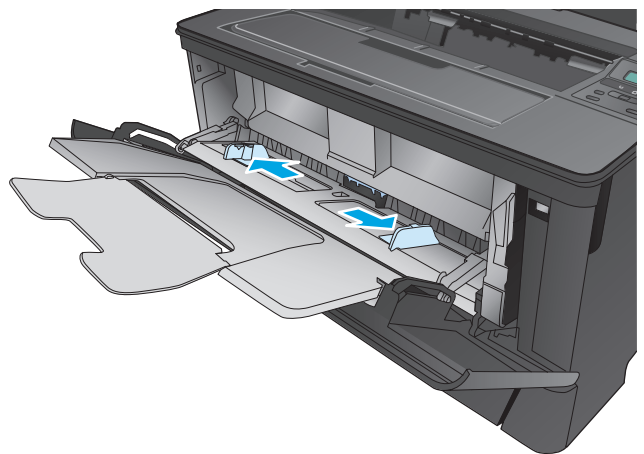
2. Slide out the tray extension.



3. For long paper, fold out the tray extension to support the paper.

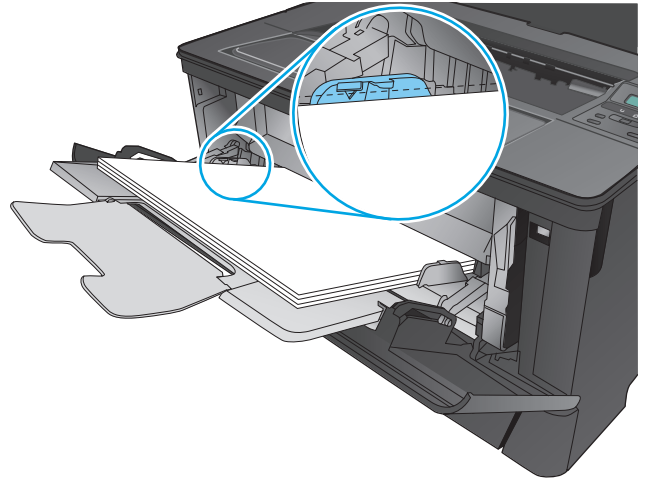


4. Adjust the paper guides.

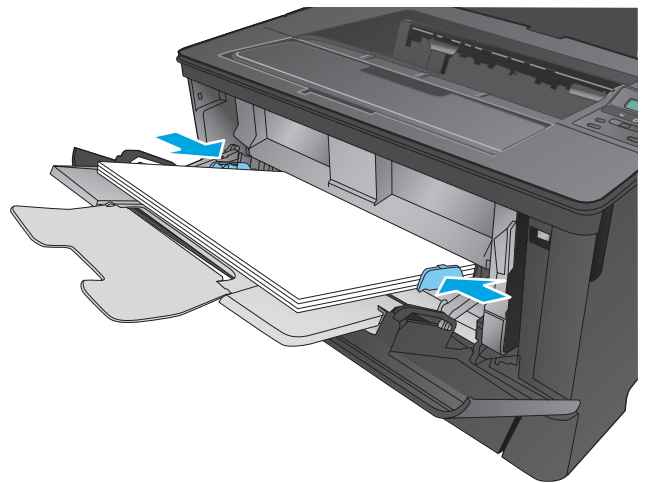



5. Load the paper into the tray. Make sure that the paper fits under the tabs and below the maximum-height indicators.

The way you should orient the paper in the tray varies depending on the paper size. For additional information, see [Tray 1 paper orientation on page 13](#).

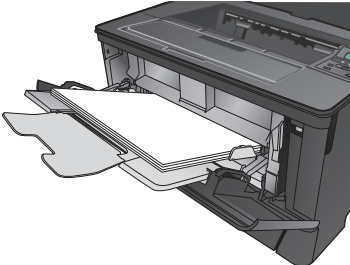
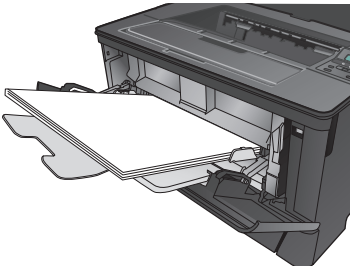
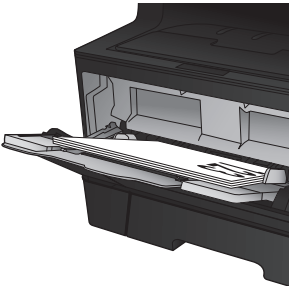
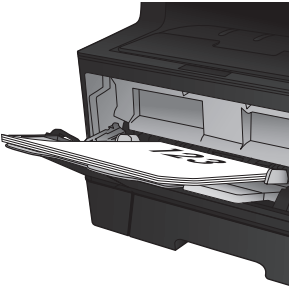


6. Adjust the paper guides so that they lightly touch the paper stack but do not bend the paper.



 **NOTE:** To avoid jams, do not add paper to Tray 1 while the product is printing. Do not close Tray 1 while the product is printing.

Tray 1 paper orientation

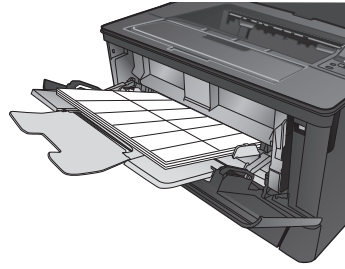
Paper type	Paper size	How to load paper
Cut sheet paper	Letter, A4, A5, B5, Executive, 16K, and custom sizes	Long edge leading into the product 
	A3, B4, 11 x 17, Legal, Oficio 8.5 x 13, and custom sizes	Short edge leading into the product 
Preprinted, prepunched, or letterhead	Letter, A4, A5, B5, Executive, 16K, and custom sizes	Face-up Long edge leading into the product with the top of the page to the right of the tray 
	A3, B4, 11 x 17, Legal, Oficio 8.5 x 13, and custom sizes	Face-up Top edge leading into the product 

Paper type**Paper size****How to load paper**

Labels

Any compatible label size

Face up

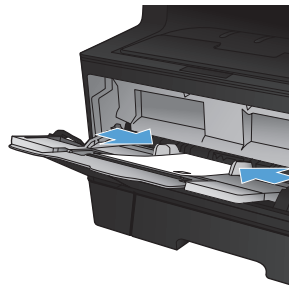


Envelopes

Any compatible envelope size

Face-up

Top edge toward the right of the tray, postage end entering the product last



Load Tray 2

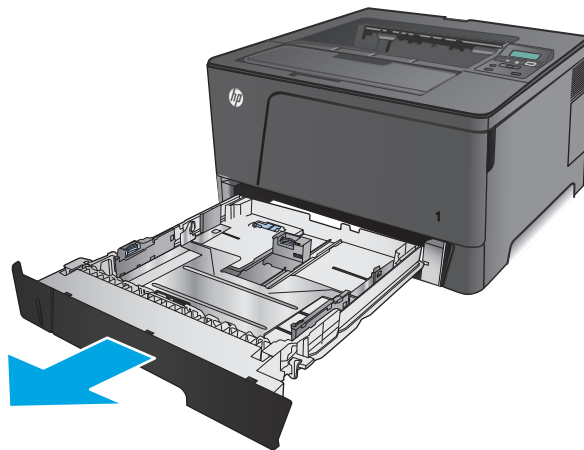
Tray 2 holds up to 250 sheets of 75 g/m² (20 lb) paper. If the paper is heavier, the tray does not hold as many sheets. Do not overfill the tray. It supports cut sheet paper weight 60–120 g/m² (16–32 lb).

For information about the correct paper orientation for loading paper in this tray, see [Tray 2 paper orientation on page 18](#).

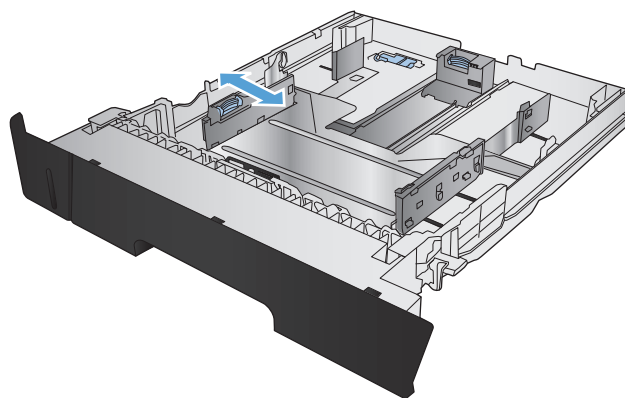
CAUTION: Do not print envelopes, labels, or unsupported sizes of paper from Tray 2. Print these types of paper only from Tray 1.

1. Pull the tray out and lift up slightly to remove it completely from the product.

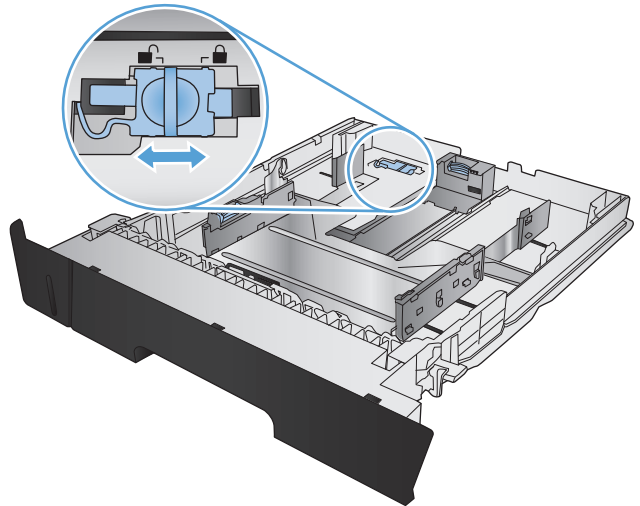
NOTE: Do not open the tray while it is in use.



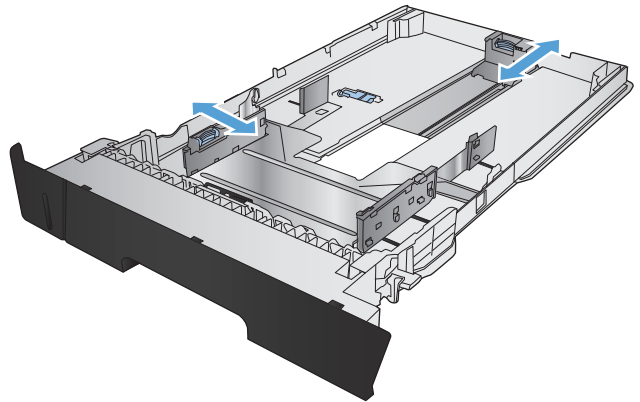
2. Pinch the release that is located on the left guide and slide the side guides to the correct paper size.



3. If you are loading B4, A3, 11 x 17, Legal, or Oficio 8.5 x 13 size paper, unlock the rear tray guide using the slide lock at the back of the tray.



4. Adjust the tray length to the correct paper size.

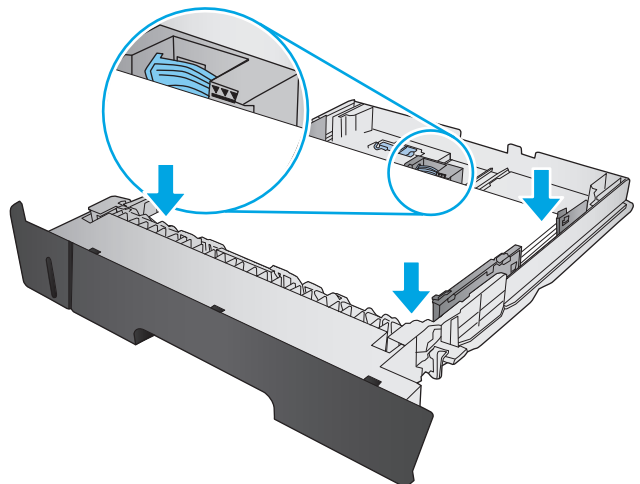


5. Load paper into the tray. Check the paper to make sure the guides lightly touch the stack, but do not bend the paper.

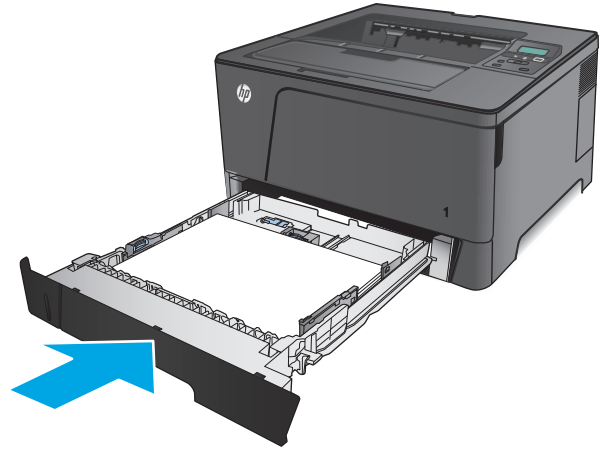
The way you should orient the paper in the tray varies depending on the paper size. For additional information, see [Tray 2 paper orientation on page 18](#).

NOTE: To prevent jams, do not overfill the tray. Be sure the top of the stack is below the tray full indicator.

NOTE: If the tray is not adjusted correctly, an error message might display during printing or the paper might jam.

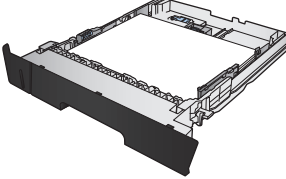
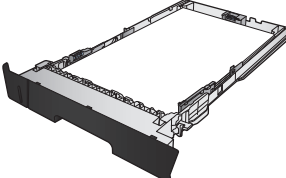
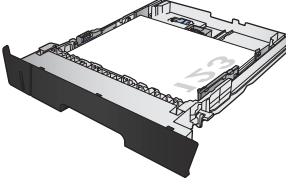
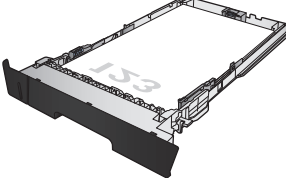


6. Slide the tray completely into the product.



7. On the product control panel, follow the onscreen message to configure the paper tray. If you miss the control panel message, complete the following steps to configure the tray.
 - a. On the product control panel, press the **OK** button.
 - b. Open the following menus:
 - System Setup**
 - Paper Setup**
 - Tray 2**
 - c. Open the **Paper Size** menu, select the correct size, and then press the **OK** button.
 - d. Open the **Paper Type** menu, select the correct type, and then press the **OK** button.


Tray 2 paper orientation

Paper type	Paper size	How to load paper
Cut sheet paper	Letter, A4, A5, B5, Executive, 16K, and custom sizes	Long edge along the front of the tray 
	A3, B4, 11 x 17, Legal, Oficio 8.5 x 13, and custom sizes	Long edge along the side of the tray 
Preprinted, prepunched, or letterhead	Letter, A4, A5, B5, Executive, 16K, and custom sizes	Face-down Top edge at the right of the tray 
	A3, B4, 11 x 17, Legal, Oficio 8.5 x 13, and custom sizes	Face-down Top edge at the front of the tray 

Load Tray 3 (M706n model only)

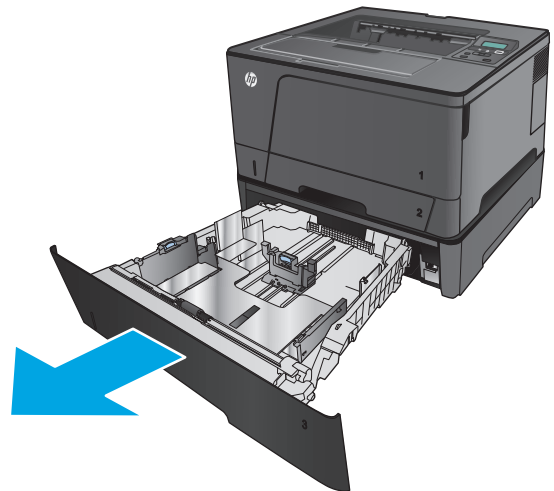
Optional Tray 3 holds up to 500 sheets of 75 g/m² (20 lb) paper. If the paper is heavier, the tray does not hold as many sheets. Do not overfill the tray. It supports cut sheet paper weight 60–120 g/m² (16–32 lb).

For information about the correct paper orientation for loading paper in this tray, see [Tray 3 paper orientation on page 22](#).

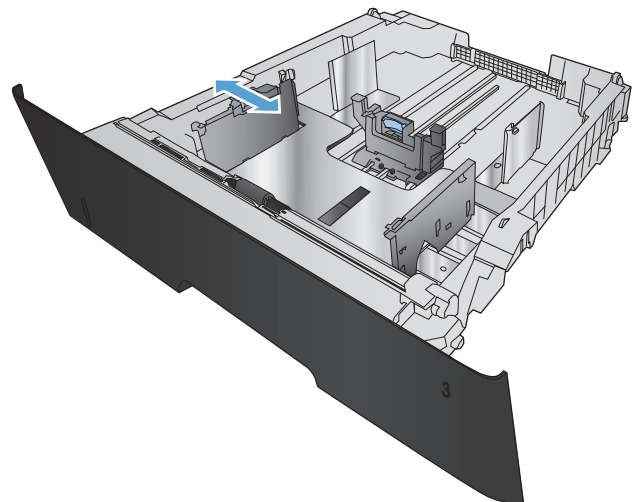
 **NOTE:** Do not print envelopes, labels, or unsupported sizes of paper from Tray 3. Print these types of paper only from Tray 1.

1. Pull the tray out and lift up slightly to remove it completely from the product.

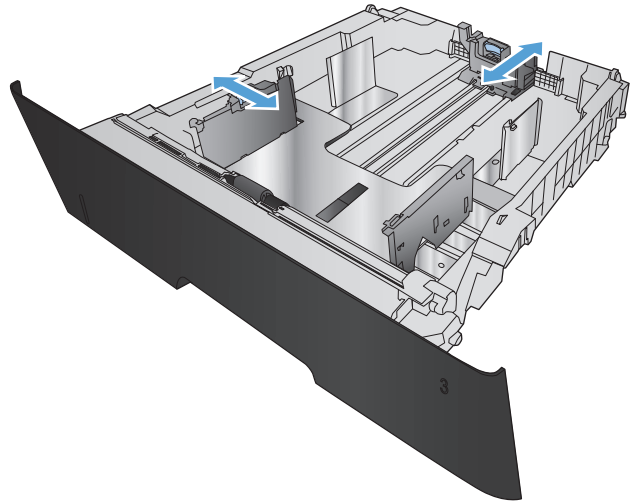
NOTE: Do not open the tray while it is in use.



2. Pinch the release that is located on the left guide and slide the side guides to the correct paper size.



3. Adjust the paper length to the correct paper size.

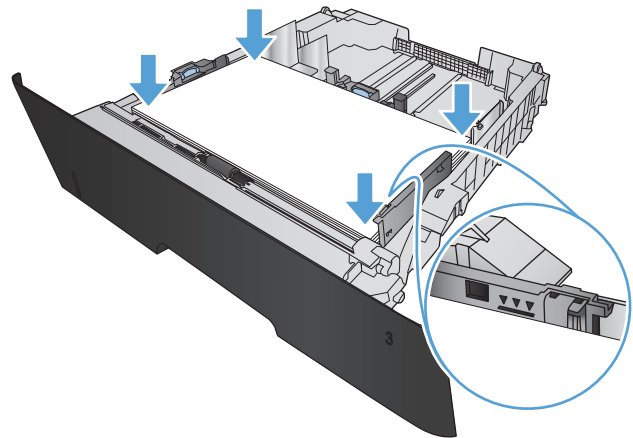


4. Load paper into the tray. Check the paper to make sure the guides lightly touch the stack, but do not bend the paper.

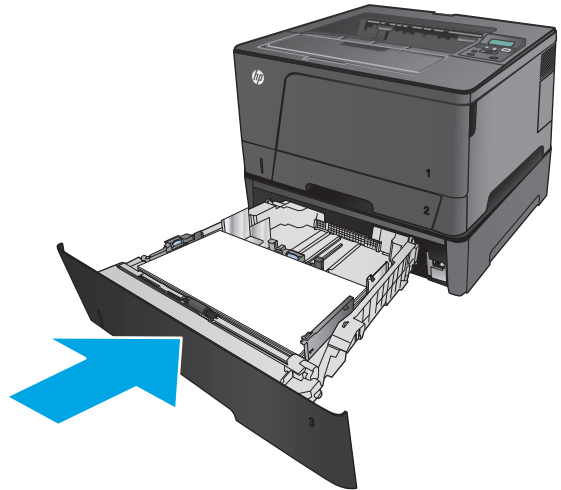
The way you should orient the paper in the tray varies depending on the paper size. For additional information, see [Tray 3 paper orientation on page 22](#).

NOTE: To prevent jams, do not overfill the tray. Be sure the top of the stack is below the tray full indicator.

NOTE: If the tray is not adjusted correctly, an error message might display during printing or the paper might jam.

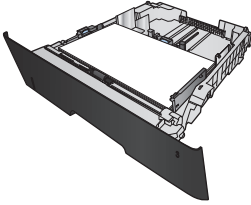
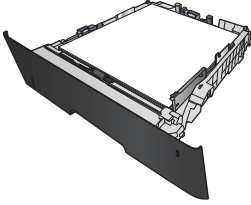
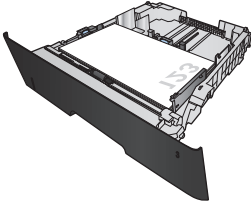
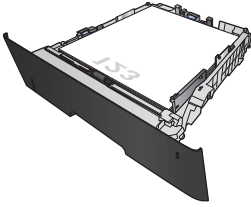


5. Slide the tray completely into the product.



6. On the product control panel, follow the onscreen message to configure the paper tray. If you miss the control panel message, complete the following steps to configure the tray.
 - a. On the product control panel, press the **OK** button.
 - b. Open the following menus:
 - System Setup**
 - Paper Setup**
 - Tray 3**
 - c. Open the **Paper Size** menu, select the correct size, and then press the **OK** button.
 - d. Touch **Paper Type** menu, select the correct type, and then press the **OK** button.

Tray 3 paper orientation

Paper type	Paper size	How to load paper
Cut sheet paper	Letter, A4, A5, B5, Executive, 16K, and custom sizes	Long edge along the front of the tray 
	A3, B4, 11 x 17, Legal, Oficio 8.5 x 13, and custom sizes	Long edge along the side of the tray 
Preprinted, prepunched, or letterhead	Letter, A4, A5, B5, Executive, 16K, and custom sizes	Face-down Top edge at the right of the tray 
	A3, B4, 11 x 17, Legal, Oficio 8.5 x 13, and custom sizes	Face-down Top edge at the front of the tray 

3 Parts, supplies, and accessories

- [Order parts, accessories, and supplies](#)
- [Replace the toner cartridge](#)

For more information:

In the US, go to www.hp.com/support/ljM701 or www.hp.com/support/ljM706.

Outside the US, go to www.hp.com/support. Select your country/region. Click **Troubleshooting**. Enter the product name, and then select **Search**.

HP's all-inclusive help for your product includes the following information:

- Install and configure
- Learn and use
- Solve problems
- Download software updates
- Join support forums
- Find warranty and regulatory information

Order parts, accessories, and supplies

Ordering

Order supplies and paper	www.hp.com/go/suresupply
Order genuine HP parts or accessories	www.hp.com/buy/parts
Order through service or support providers	Contact an HP-authorized service or support provider.
Order using the HP Embedded Web Server (EWS)	To access, in a supported Web browser on your computer, enter the product IP address or host name in the address/URL field. The EWS contains a link to the HP SureSupply Web site, which provides options for purchasing Original HP supplies.

Parts and supplies

The following customer self-repair parts are available for the product.

- Parts listed as **Mandatory** self-replacement are to be installed by customers, unless you are willing to pay HP service personnel to perform the repair. For these parts, on-site or return-to-depot support is not provided under the HP product warranty.
- Parts listed as **Optional** self-replacement can be installed by HP service personnel at your request for no additional charge during the product warranty period.

Item	Description	Self-replacement options	Part number
HP 93A Black LaserJet Toner Cartridge	Replacement toner cartridge	Mandatory	CZ192-67901
Tray 1 Roller Kit	Replacement rollers for Tray 1	Optional	A3E42-65018
Tray 2 Roller Kit	Replacement rollers for Tray 2	Optional	A3E42-65019
Tray 3 Roller Kit	Replacement rollers for optional Tray 3	Optional	A3E42-65011
Tray 2 Assembly Kit	Replacement Tray 2	Mandatory	RM2-0629-000
Optional accessory Duplex unit	Replacement optional duplex printing accessory	Mandatory	A3E46-67901
Optional accessory 500 Sheet Feeder Tray 3	Replacement optional 500-sheet feeder (Tray 3)	Mandatory	A3E47-67901

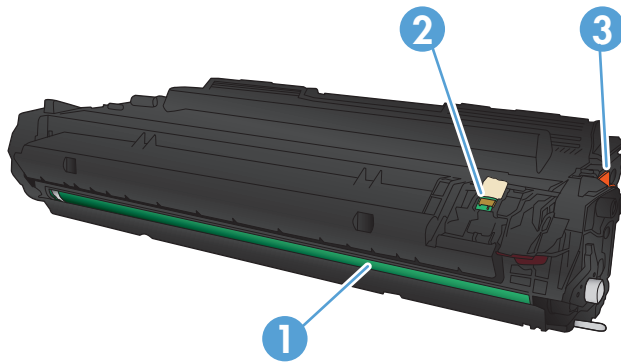
Accessories

Item	Description	Part number
HP LaserJet 1 x 500 Paper Feeder	500-sheet paper feeder (optional Tray 3)	A3E47A
HP LaserJet Duplex Printing Accessory	Optional automatic duplexer	A3E46A
USB cable	2-meter standard USB-compatible device connector	C6518A

Replace the toner cartridge

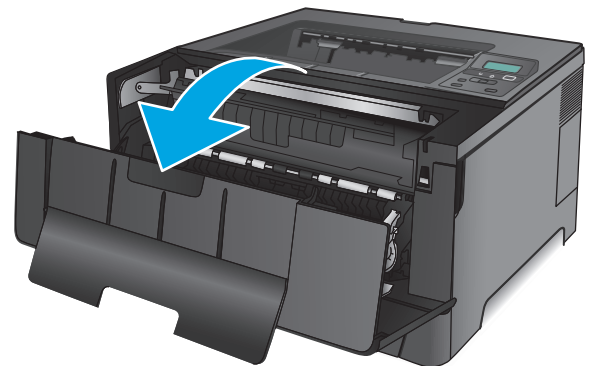
When a toner cartridge approaches the end of useful life, you are prompted to order a replacement. You can continue printing with the current cartridge until redistributing the toner no longer yields acceptable print quality.

The following illustration shows the toner-cartridge components.

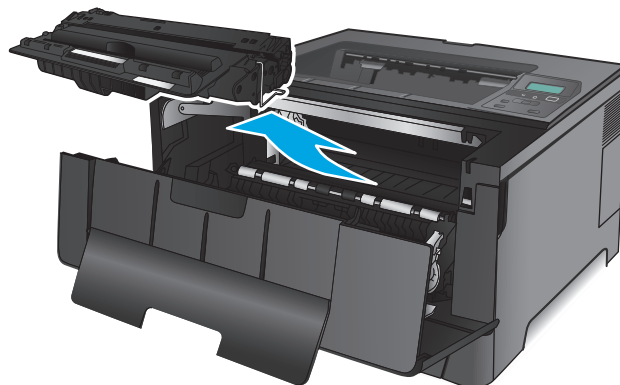


1	Imaging drum (Be careful not to touch the imaging drum.)
2	Memory chip
3	Sealing tape

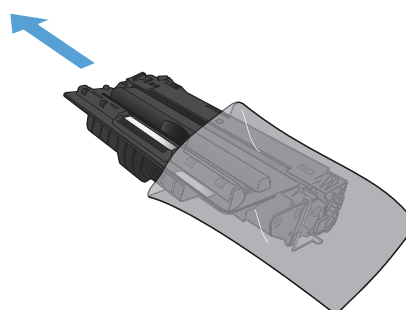
1. Open the front door.



2. Remove the used toner cartridge.

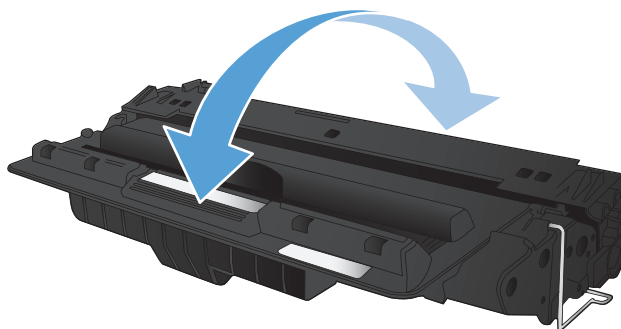


3. Remove the new toner cartridge from the bag. Place the used toner cartridge in the bag for recycling.

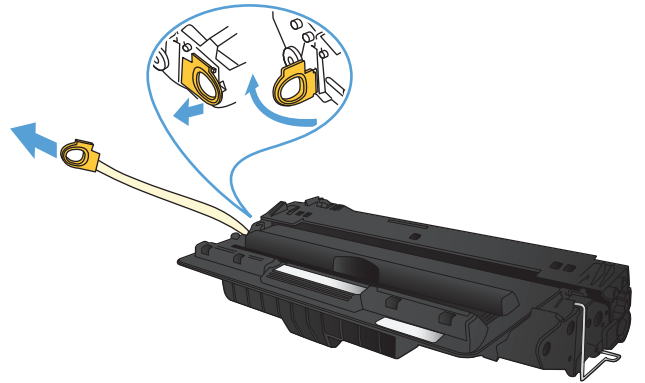


4. Grasp both sides of the toner cartridge and distribute the toner by gently rocking the cartridge.

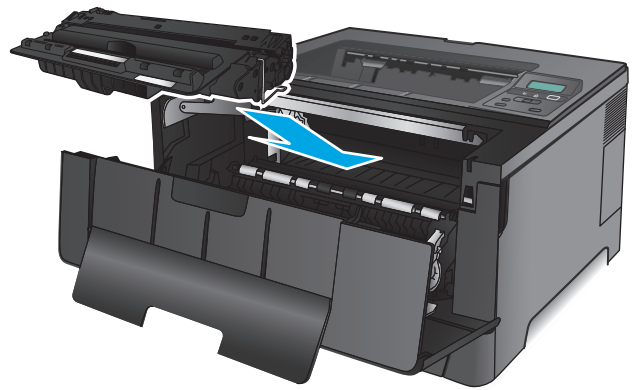
CAUTION: Do not touch the imaging drum.



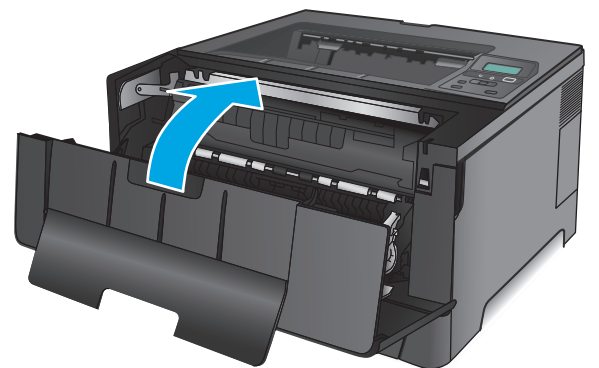
5. Remove the sealing tape. Bend the tab on the left side of the cartridge until the tab breaks loose. Pull the tab until all the tape is removed from the cartridge. Place the tab and tape in the toner-cartridge box to return for recycling.



6. Align the toner cartridge with the tracks inside the product, insert the toner cartridge until it is firmly seated.



7. Close the front door.



4 Print

- [Print tasks \(Windows\)](#)
- [Print tasks \(Mac OS X\)](#)
- [Mobile printing](#)

For more information:

In the US, go to www.hp.com/support/ljM701 or www.hp.com/support/ljM706.

Outside the US, go to www.hp.com/support. Select your country/region. Click **Troubleshooting**. Enter the product name, and then select **Search**.

HP's all-inclusive help for your product includes the following information:

- Install and configure
- Learn and use
- Solve problems
- Download software updates
- Join support forums
- Find warranty and regulatory information

Print tasks (Windows)

- [How to print \(Windows\)](#)
- [Automatically print on both sides \(Windows\)](#)
- [Manually print on both sides \(Windows\)](#)
- [Print multiple pages per sheet \(Windows\)](#)
- [Select the paper type \(Windows\)](#)
- [Additional print tasks](#)

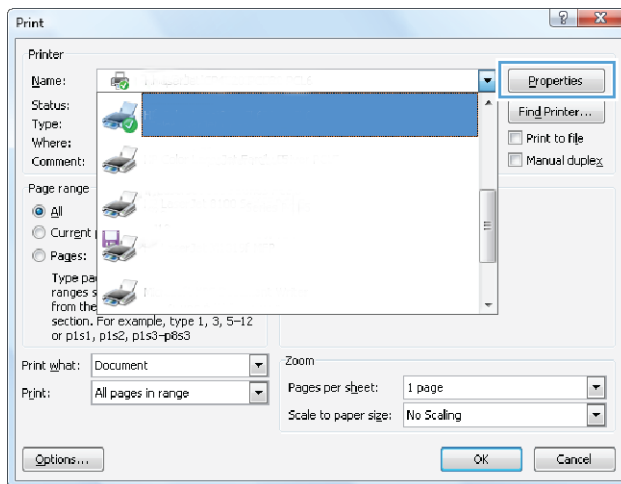
How to print (Windows)

The following procedure describes the basic printing process for Windows.

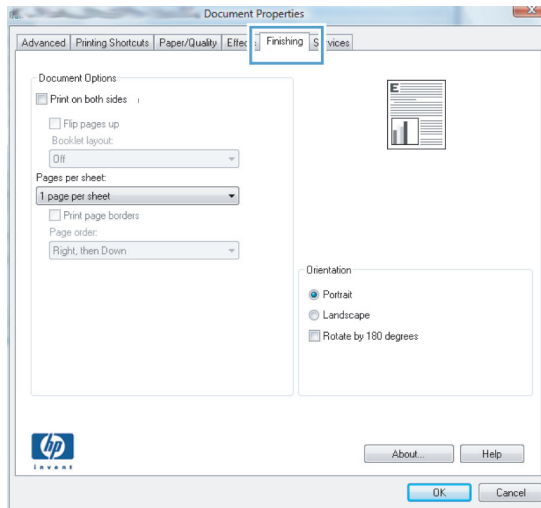
1. From the software program, select the **Print** option.
2. Select the product from the list of printers. To change settings, click or tap the **Properties** or **Preferences** button to open the print driver.



NOTE: The name of the button varies for different software programs.



3. Click or tap the tabs in the print driver to configure the available options. For example, set the paper orientation on the **Finishing** tab, and set the paper source, paper type, paper size, and quality settings on the **Paper/Quality** tab.



4. Click or tap the **OK** button to return to the **Print** dialog box. Select the number of copies to print from this screen.
5. Click or tap the **OK** button to print the job.

Automatically print on both sides (Windows)

Use this procedure for products that have an automatic duplexer installed. If the product does not have an automatic duplexer installed, or to print on paper types that the duplexer does not support, you can print on both sides manually.

1. From the software program, select the **Print** option.
2. Select the product from the list of printers, and then click or tap the **Properties** or **Preferences** button to open the print driver.



NOTE: The name of the button varies for different software programs.

3. Click or tap the **Finishing** tab.
4. Select the **Print on both sides** check box. Click the **OK** button to close the **Document Properties** dialog box.
5. In the **Print** dialog box, click the **OK** button to print the job.

Manually print on both sides (Windows)

Use this procedure for products that do not have an automatic duplexer installed or to print on paper that the duplexer does not support.

1. From the software program, select the **Print** option.
2. Select the product from the list of printers, and then click or tap the **Properties** or **Preferences** button to open the print driver.



NOTE: The name of the button varies for different software programs.

3. Click or tap the **Finishing** tab.
4. Select the **Print on both sides (manually)** check box. Click the **OK** button to print the first side of the job.
5. Retrieve the printed stack from the output bin, and place it in Tray 1.
6. If prompted, touch the appropriate control panel button to continue.

Print multiple pages per sheet (Windows)

1. From the software program, select the **Print** option.
2. Select the product from the list of printers, and then click or tap the **Properties** or **Preferences** button to open the print driver.



NOTE: The name of the button varies for different software programs.

3. Click or tap the **Finishing** tab.
4. Select the number of pages per sheet from the **Pages per sheet** drop-down list.
5. Select the correct **Print page borders**, **Page order**, and **Orientation** options. Click the **OK** button to close the **Document Properties** dialog box.
6. In the **Print** dialog box, click the **OK** button to print the job.

Select the paper type (Windows)

1. From the software program, select the **Print** option.
2. Select the product from the list of printers, and then click or tap the **Properties** or **Preferences** button to open the print driver.



NOTE: The name of the button varies for different software programs.

3. Click or tap the **Paper/Quality** tab.
4. From the **Paper type** drop-down list, click the **More...** option.
5. Expand the list of **Type is:** options.
6. Expand the category of paper types that best describes your paper.
7. Select the option for the type of paper you are using, and then click the **OK** button.
8. Click the **OK** button to close the **Document Properties** dialog box. In the **Print** dialog box, click the **OK** button to print the job.

Additional print tasks

In the US, go to www.hp.com/support/ljM701 or www.hp.com/support/ljM706.

Outside the US, go to www.hp.com/support. Select your country/region. Click **Troubleshooting**. Enter the product name, and then select **Search**.

Instructions are available for performing specific print tasks, such as the following:

- Create and use printing shortcuts or presets
- Select the paper size, or use a custom paper size
- Select the page orientation
- Create a booklet
- Scale a document to fit a specific paper size
- Print the first or last pages of the document on different paper
- Print watermarks on a document

Print tasks (Mac OS X)

- [How to print \(Mac OS X\)](#)
- [Automatically print on both sides \(Mac OS X\)](#)
- [Manually print on both sides \(Mac OS X\)](#)
- [Print multiple pages per sheet \(Mac OS X\)](#)
- [Select the paper type \(Mac OS X\)](#)
- [Additional print tasks](#)

How to print (Mac OS X)

The following procedure describes the basic printing process for Mac OS X.

1. Click the **File** menu, and then click the **Print** option.
2. In the **Printer** menu, select the product.
3. Open the menus drop-down list or click **Show Details**, and then select other menus to adjust the print settings.
4. Click the **Print** button.

Automatically print on both sides (Mac OS X)



NOTE: This feature is available if you install the HP print driver. It might not be available if you are using AirPrint.

1. Click the **File** menu, and then click the **Print** option.
2. In the **Printer** menu, select the product.
3. Open the menus drop-down list or click **Show Details**, and then click the **Layout** menu.
4. Select a binding option from the **Two-Sided** drop-down list.
5. Click the **Print** button.

Manually print on both sides (Mac OS X)



NOTE: This feature is available if you install the HP print driver. It might not be available if you are using AirPrint.

1. Click the **File** menu, and then click the **Print** option.
2. In the **Printer** menu, select this product.
3. Open the menus drop-down list or click **Show Details**, and then click the **Manual Duplex** menu.
4. Click the **Manual Duplex** box, and select a binding option.
5. Click the **Print** button.
6. Go to the product, and remove any blank paper that is in Tray 1.

7. Retrieve the printed stack from the output bin and place it with the printed-side facing down in the input tray.
8. If prompted, touch the appropriate control panel button to continue.

Print multiple pages per sheet (Mac OS X)

1. Click the **File** menu, and then click the **Print** option.
2. In the **Printer** menu, select the product.
3. Open the menus drop-down list or click **Show Details**, and then click the **Layout** menu.
4. From the **Pages per Sheet** drop-down list, select the number of pages that you want to print on each sheet.
5. In the **Layout Direction** area, select the order and placement of the pages on the sheet.
6. From the **Borders** menu, select the type of border to print around each page on the sheet.
7. Click the **Print** button.

Select the paper type (Mac OS X)

1. Click the **File** menu, and then click the **Print** option.
2. In the **Printer** menu, select the product.
3. Open the menus drop-down list or click **Show Details**, and then click the **Finishing** menu.
4. Select a type from the **Media-type** drop-down list.
5. Click the **Print** button.

Additional print tasks

In the US, go to www.hp.com/support/ljM701 or www.hp.com/support/ljM706.

Outside the US, go to www.hp.com/support. Select your country/region. Click **Troubleshooting**. Enter the product name, and then select **Search**.

Instructions are available for performing specific print tasks, such as the following:

- Create and use printing shortcuts or presets
- Select the paper size, or use a custom paper size
- Select the page orientation
- Create a booklet
- Scale a document to fit a specific paper size
- Print the first or last pages of the document on different paper
- Print watermarks on a document

Mobile printing

HP offers multiple Mobile and ePrint solutions to enable wireless printing to an HP printer from a laptop, tablet, smartphone, or other mobile device. To determine the best choice, go to www.hp.com/go/LaserJetMobilePrinting (English only).

- [Wireless network printing](#)
- [HP ePrint via email](#)
- [HP ePrint software](#)
- [AirPrint](#)

Wireless network printing

For information on printing wirelessly to products connected to the wireless network, go to HP support on the Web:

- In the US, go to www.hp.com/support/ljM701 or www.hp.com/support/ljM706.
- Outside the US, go to www.hp.com/support. Select your country/region. Click **Troubleshooting**. Enter the product name, and then select **Search**.

Then, from the product's support home page, select **Setup & Install, Product setup and install, Wireless setup**.

HP ePrint via email

Use HP ePrint to print documents by sending them as an email attachment to the product's email address from any email enabled device.

To use HP ePrint, the product must meet these requirements:

- The product must be connected to a wired network and have Internet access.
- HP Web Services must be enabled on the product, and the product must be registered with HP Connected.
 1. On the product control panel, press the **OK** button.
 2. Scroll to the **HP Web Services** menu, and press the **OK** button.
 3. Scroll to the **Print Information Sheet** option, and press the **OK** button.

The information page contains the printer code that you use to register your HP product at HP Connected.

4. Go to www.hpconnected.com to create an HP ePrint account and complete the setup process.

For more information, go to www.hp.com/support to review additional support information for your product.

HP ePrint software

The HP ePrint software makes it easy to print from a Windows or Mac desktop or laptop computer to any HP ePrint-capable product. This software makes it easy to find HP ePrint-enabled products that are registered to your HP Connected account. The target HP printer can be located in the office or at locations across the globe.

- **Windows:** After installing the software, open the **Print** option from within your application, and then select **HP ePrint** from the installed printers list. Click the **Properties** button to configure print options.
- **Mac:** After installing the software, select **File, Print**, and then select the arrow next to **PDF** (in the bottom left of the driver screen). Select **HP ePrint**.

For Windows, the HP ePrint software supports TCP/IP printing to local network printers on the network (LAN or WAN) to products that support UPD PostScript®.

Windows and Mac both support IPP printing to LAN or WAN network-connected products that support ePCL.

Windows and Mac also both support printing PDF documents to public print locations and printing using HP ePrint via email through the cloud.

Go to www.hp.com/go/eprintsoftware for drivers and information.



NOTE: The HP ePrint software is a PDF workflow utility for Mac, and is not technically a print driver.



NOTE: HP ePrint Software does not support USB printing.

AirPrint

Direct printing using Apple's AirPrint is supported for iOS 4.2 or later. Use AirPrint to print directly to the product from an iPad, iPhone (3GS or later), or iPod touch (third generation or later) in the following applications:

- Mail
- Photos
- Safari
- iBooks
- Select third-party applications

To use AirPrint, the product must be connected to the same wireless network as the Apple device. For more information about using AirPrint and about which HP products are compatible with AirPrint, go to the support Web site for this product:

- In the US, go to www.hp.com/support/ljM701 or www.hp.com/support/ljM706.
- Outside the US, go to www.hp.com/support. Select your country/region. Click **Troubleshooting**. Enter the product name, and then select **Search**.



NOTE: AirPrint does not support USB connections.

5 Manage the product

- [Change the product connection type \(Windows\)](#)
- [Configure IP network settings](#)
- [Advanced configuration with HP Embedded Web Server \(EWS\) and HP Device Toolbox \(Windows\)](#)
- [HP Utility for Mac OS X](#)
- [HP Web Jetadmin](#)
- [Product security features](#)
- [Economy settings](#)
- [Update the firmware](#)

For more information:

In the US, go to www.hp.com/support/ljM701 or www.hp.com/support/ljM706.

Outside the US, go to www.hp.com/support. Select your country/region. Click **Troubleshooting**. Enter the product name, and then select **Search**.

HP's all-inclusive help for your product includes the following information:

- Install and configure
- Learn and use
- Solve problems
- Download software updates
- Join support forums
- Find warranty and regulatory information

Change the product connection type (Windows)

If you are already using the product and you wish to change the way it is connected, use the **Reconfigure your HP Device** shortcut on your computer desktop to change the connection. For example, you can reconfigure the product to use a different wireless address, to connect to a wired or wireless network, or change from a network connection to a USB connection. You can change the configuration without inserting the product CD. After you select the type of connection you wish to make, the program goes directly to the portion of the product setup procedure that needs to change.

Configure IP network settings

- [Printer sharing disclaimer](#)
- [View or change network settings](#)
- [Rename the product on a network](#)
- [Manually configure IPv4 TCP/IP parameters from the control panel](#)

Printer sharing disclaimer

HP does not support peer-to-peer networking, as the feature is a function of Microsoft operating systems and not of the HP printer drivers. Go to Microsoft at www.microsoft.com.

View or change network settings

Use the HP Embedded Web Server to view or change IP configuration settings.

1. Print a configuration page, and locate the IP address.
 - a. On the control panel, press the **OK** button.
 - b. Scroll to the **Reports** menu, and then press the **OK** button.
 - c. Scroll to the **Configuration Report** option, and then press the **OK** button to print the report.
2. Open a Web browser, and in the address line, type the IP address exactly as it displays on the product control panel. Press the **Enter** key on the computer keyboard. The EWS opens.

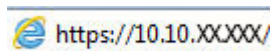


3. Click the **Networking** tab to obtain network information. Change settings as needed.

Rename the product on a network

If you want to rename the product on a network so that it can be uniquely identified, use the HP Embedded Web Server.

1. Print a configuration page, and locate the IP address.
 - a. On the control panel, press the **OK** button.
 - b. Scroll to the **Reports** menu, and then press the **OK** button.
 - c. Scroll to the **Configuration Report** option, and then press the **OK** button to print the report.
2. Open a Web browser, and in the address line, type the IP address as it displays on the product control panel. Press the **Enter** key on the computer keyboard. The EWS opens.



3. Open the **System** tab.

4. On the **Device Information** page, the default product name is in the **Device Status** field. You can change this name to uniquely identify this product.



NOTE: Completing the other fields on this page is optional.

5. Click the **Apply** button to save the changes.

Manually configure IPv4 TCP/IP parameters from the control panel

Use the control-panel menus to manually set an IPv4 address, subnet mask, and default gateway.

1. On the product control panel, press the **OK** button.
2. Open the following menus:
 - **Network Setup**
 - **IPV4 Config Method**
 - **Manual**
3. Use the arrow keys to enter the IP address, and press the **OK** button. Press the **OK** button again to confirm.
4. Use the arrow keys to enter the subnet mask, and press the **OK** button. Press the **OK** button again to confirm.
5. Use the arrow keys to enter the default gateway, and press the **OK** button. Press the **OK** button again to confirm.


Advanced configuration with HP Embedded Web Server (EWS) and HP Device Toolbox (Windows)


Use the HP Embedded Web Server to manage printing functions from your computer instead of the product control panel.

- View product status information
- Determine the remaining life for all supplies and order new ones
- View and change tray configurations
- View and change the product control-panel menu configuration
- View and print internal pages
- Receive notification of product and supplies events
- View and change network configuration

The HP Embedded Web Server works when the product is connected to an IP-based network. The HP Embedded Web Server does not support IPX-based product connections. You do not have to have Internet access to open and use the HP Embedded Web Server.

When the product is connected to the network, the HP Embedded Web Server is automatically available.

 **NOTE:** HP Device Toolbox is available only if you performed a full installation when you installed the product. Depending on how the product is connected, some features might not be available.


 **NOTE:** The HP Embedded Web Server is not accessible beyond the network firewall.

Open the HP Embedded Web Server (EWS) from the Start menu

1. Click the **Start** button, and then click the **Programs** item.
2. Click your HP product group, and then click the **HP Device Toolbox** item.

Open the HP Embedded Web Server (EWS) from a Web browser

1. Print a configuration page, and locate the IP address.
 - a. On the control panel, press the **OK** button.
 - b. Scroll to the **Reports** menu, and then press the **OK** button.
 - c. Scroll to the **Configuration Report**, and then press the **OK** button to print the report.
2. Open a Web browser, and in the address line, type the IP address as it displays on the product control panel. Press the **Enter** key on the computer keyboard. The EWS opens.

 <https://10.10.XX.XX/>

Tab or section	Description
<p>Home tab</p> <p>Provides product, status, and configuration information.</p>	<ul style="list-style-type: none"> • Device Status: Shows the product status and shows the approximate percent life remaining of HP supplies. • Supplies Status: Shows the approximate percent life remaining of HP supplies. Actual supply life remaining can vary. Consider having a replacement supply available to install when print quality is no longer acceptable. The supply does not need to be replaced unless the print quality is no longer acceptable. • Device Configuration: Shows the information found on the product configuration page. • Network Summary: Shows the information found on the product network configuration page. • Reports: Print the configuration and supplies status pages that the product generates. • Event Log: Shows a list of all product events and errors.
<p>System tab</p> <p>Provides the ability to configure the product from your computer.</p>	<ul style="list-style-type: none"> • Device Information: Provides basic product and company information. • Paper Setup: Change the default paper-handling settings for the product. • Print Quality: Change the default print-quality settings for the product. • EcoSMART Console: Change the default times for entering Sleep mode or Auto Power Down mode. Configure which events cause the product to wake. • Paper Types: Configure print modes that correspond to the paper types that the product accepts. • System Setup: Change the system defaults for the product. • Service: Perform the cleaning procedure on the product. • Save and Restore: Save the current settings for the product to a file on the computer. Use this file to load the same settings onto another product or to restore these settings to this product at a later time. • Administration: Set or change the product password. Enable or disable product features. <p>NOTE: The System tab can be password-protected. If this product is on a network, always consult with the administrator before changing settings on this tab.</p>
<p>Print tab</p> <p>Provides the ability to change default print settings from your computer.</p>	<ul style="list-style-type: none"> • Printing: Change the default product print settings, such as number of copies and paper orientation. These are the same options that are available on the control panel. • PCL5c: View and change the PCL5c settings. • PostScript: Turn off or on the Print PS Errors feature.
<p>Fax tab</p> <p>(Fax products only)</p>	<ul style="list-style-type: none"> • Receive Options: Configure how the product handles incoming faxes. • Phone Book: Add or delete entries in the fax phone book. • Junk Fax List: Set fax numbers to block from sending faxes to the product. • Fax Activity Log: Review recent fax activity for the product.


Tab or section	Description
Scan tab (MFP products only)	Configure the Scan to Network Folder and Scan to E-mail features. <ul style="list-style-type: none"> • Network Folder Setup: Configure folders on the network to which the product can save a scanned file. • Scan to E-mail Setup: Begin the process to set up the Scan to E-mail feature. • Outgoing E-mail Profiles: Set an email address that will appear as the “from” address for all emails sent from the product. Configure the SMTP Server information. • E-mail Address Book: Add or delete entries in the email address book. • E-mail Options: Configure a default subject line and body text. Configure default scan settings for emails.
Networking tab (Network-connected products only) Provides the ability to change network settings from your computer.	Network administrators can use this tab to control network-related settings for the product when it is connected to an IP-based network. It also allows the network administrator to set up Wireless Direct functionality. This tab does not appear if the product is directly connected to a computer.
HP Web Services tab	Use this tab to set up and use various Web tools with the product.
HP Smart Install tab	Use this tab to disable HP Smart Install or to download and install the product software.

HP Utility for Mac OS X

Use the HP Utility for Mac OS X to check product status or to view or change product settings from your computer.

You can use the HP Utility when the product is connected with a USB cable or is connected to a TCP/IP-based network.

Open HP Utility

1. At the computer, open the Apple  menu, click the **System Preferences** menu, and then click the **Print & Fax** icon or the **Print & Scan** icon.
2. Select the product in the left side of the window.
3. Click the **Options & Supplies** button.
4. Click the **Utility** tab.
5. Click the **Open Printer Utility** button.

HP Utility features

The HP Utility toolbar is at the top of every page. It includes these items:

- **Devices:** Click this button to show or hide Mac products found by the HP Utility in the **Printers** pane at the left side of the screen.
- **All Settings:** Click this button to return to the HP Utility main page.
- **HP Support:** Click this button to open a browser and go to the HP support Web site for the product.
- **Supplies:** Click this button to open the HP SureSupply Web site.
- **Registration:** Click this button to open the HP registration Web site.
- **Recycling:** Click this button to open the HP Planet Partners Recycling Program Web site.

HP Utility consists of pages that you open by clicking in the **All Settings** list. The following table describes the tasks that you can perform with HP Utility.

Menu	Item	Description
Information And Support	Supplies Status	Show the product supplies status and provides links for ordering supplies online.
	Device Information	Show information about the currently selected product, including the product Service ID (if assigned), the firmware version (FW Version), the Serial Number, and the IP address.
	File Upload	Transfer files from the computer to the product. You can upload the following types of files: <ul style="list-style-type: none">• HP LaserJet printer command language (.PRN)• Portable document format (.PDF)• Postscript (.PS)• Text (.TXT)

Menu	Item	Description
	HP Connected	Access the HP Connected Web site.
	Upload Fonts	Upload fonts from your computer to the product.
Printer Settings	Auto-off	Configure the product to automatically turn off after a period of inactivity. You can adjust the number of minutes after which the product turns off.
	Network Settings	Configure the network settings, such as the IPv4 settings, IPv6 settings, Bonjour settings, and other settings.
	Supplies Management	Configure how the product should behave when supplies are nearing the end of their estimated life.
	Trays Configuration	Change paper size and type for each of the trays.
	Additional Settings	Open the HP Embedded Web Server (EWS) for the product. NOTE: USB connections are not supported.
Information	Message Center	Display error events that have occurred with the product.
Scan Settings	Scan to E-mail	Open the HP Embedded Web Server (EWS) page for configuring settings for scanning to email. NOTE: USB connections are not supported.
	Scan to Network Folder	Open the HP Embedded Web Server (EWS) page for configuring settings for scanning to a network folder. NOTE: USB connections are not supported.

HP Web Jetadmin

HP Web Jetadmin is an award-winning, industry-leading tool for efficiently managing a wide variety of networked HP products, including printers, multifunction products, and digital senders. This single solution allows you to remotely install, monitor, maintain, troubleshoot, and secure your printing and imaging environment — ultimately increasing business productivity by helping you save time, control costs, and protect your investment.

HP Web Jetadmin upgrades are periodically made available to provide support for specific product features. Go to www.hp.com/go/webjetadmin and click the **Self Help and Documentation** link to learn more about upgrades.

Product security features

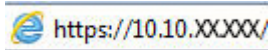
The product supports security standards and recommended protocols that help you keep the product secure, protect critical information on your network, and simplify the way you monitor and maintain the product.

For in-depth information about HP's secure imaging and printing solutions, visit www.hp.com/go/secureprinting. The site provides links to white papers and FAQ documents about security features.


Set or change the product password using the HP Embedded Web Server

Use the HP Embedded Web Server to set a password or change an existing password for a product on a network.


1. Print a configuration page, and locate the IP address.
 - a. On the control panel, press the **OK** button.
 - b. Scroll to the **Reports** menu, and then press the **OK** button.
 - c. Scroll to the **Configuration Report**, and then press the **OK** button to print the report.
2. Open a Web browser, and in the address line, type the IP address exactly as it displays on the product control panel. Press the **Enter** key on the computer keyboard. The EWS opens.



3. Click the **System** tab, and click either the **Product Security** or the **Administration** link.

 **NOTE:** If a password has previously been set, you are prompted to provide the password. Enter the password, and then click the **Apply** button.

4. Enter the new password in the **Password** box and in the **Confirm Password** box.
5. At the bottom of the window, click the **Apply** button to save the password.

 **NOTE:** For products connected with a USB cable to a Windows computer, use the HP Device Toolbox to change the product password:

1. Click the **Start** button, and then click the **Programs** item.
 2. Click your HP product group, and then click the **HP Device Toolbox** item.
 3. Click the **System** tab.
 4. Click **Administration**, and locate the area to change the password.
-

Economy settings

- [Print with EconoMode](#)
- [Set the Sleep Delay](#)
- [Set the Auto Power Down delay](#)

Print with EconoMode

This product has an EconoMode option for printing drafts of documents. Using EconoMode can use less toner. However, using EconoMode can also reduce print quality.

HP does not recommend the full-time use of EconoMode. If EconoMode is used full-time, the toner supply might outlast the mechanical parts in the toner cartridge. If print quality begins to degrade and is no longer acceptable, consider replacing the toner cartridge.



NOTE: If this option is not available in your print driver, you can set it using the HP Embedded Web Server.

1. From the software program, select the **Print** option.
2. Select the product, and then click the **Properties** or **Preferences** button.
3. Click the **Paper/Quality** tab.
4. Click the **EconoMode** check box.

Set the Sleep Delay

1. On the product control panel, press the **OK** button.
2. Open the following menus:
 - **System Setup**
 - **Energy Settings**
 - **Sleep Delay**
3. Select the time for the sleep delay, and then press the **OK** button.



NOTE: The default value is **15 Minutes**.

Set the Auto Power Down delay



NOTE: This setting is not available on all products.

1. On the product control panel, touch the **OK** button.
2. Open the following menus:
 - **System Setup**
 - **Energy Settings**

- **Auto Power Down**
- **Power Down Delay**

3. Select the time for the power-down delay.



NOTE: The default value is **30 Minutes**.

4. The product automatically wakes from the auto power-down mode when it receives jobs or when you touch the screen on the product control panel. You can change which events cause the product to wake. Open the following menus:

- **System Setup**
- **Energy Settings**
- **Auto Power Down**
- **Wake Events**

To turn off a wake event, select the event, clear the check box next to it and then press the **OK** button.

Update the firmware


HP offers periodic product updates, new Web Services apps, and new features to existing Web Services apps. Follow these steps to update the product firmware for a single product. When you update the firmware, Web Service apps will update automatically.

There are two supported methods to perform a firmware update on this product. Use only one of the following methods to update the product firmware.


Method one: Update the firmware using the control panel

Use these steps to load the firmware from the control panel (for network-connected products only), and/or set the product to automatically load future firmware updates. For USB-connected products, skip to method two.

1. Make sure the product is connected to a wired (Ethernet) network with an active Internet connection.

 **NOTE:** The product must be connected to the Internet to update the firmware via a network connection.


2. On the product control panel, press the **OK** button.
3. Open the following menus:
 - **Service**
 - **LaserJet Update**
4. Scroll to the **Check for Updates Now** option, and press the **OK** button.

 **NOTE:** The product automatically checks for an update, and if a newer version is detected, the update process automatically starts.


5. Set the product to automatically update the firmware when updates become available.
 - a. On the product control panel, press the **OK** button.
 - b. Open the following menus:
 - **Service**
 - **LaserJet Update**
 - **Manage Updates**
 - c. Set the **Allow Updates** option to **YES**, and then set the **Automatic Check** option to **ON**. Press the **OK** button.

Method two: Update the firmware using the Firmware Update Utility

Use these steps to manually download and install the Firmware Update Utility from HP.com.

 **NOTE:** This method is the only firmware update option available for products connected to the computer via a USB cable. It also works for products connected to a network.

1. Go to www.hp.com/go/support, click the **Drivers & Software** link, type the product name in the search field, press the **ENTER** button, and then select the product from the list of search results.
2. Select the operating system.

3. Under the **Firmware** section, locate the **Firmware Update Utility**.
 4. Click **Download**, click **Run**, and then click **Run** again.
 5. When the utility launches, select the product from the drop-down list, and then click **Send Firmware**.
-
-  **NOTE:** To print a configuration page to verify the installed firmware version before or after the update process, click **Print Config**.
-
6. Follow the on-screen instructions to complete the installation, and then click the **Exit** button to close the utility.

6 Solve problems

- [Customer support](#)
- [Restore the factory-set defaults](#)
- [A “Cartridge is low” or “Cartridge is very low” message displays on the product control panel](#)
- [Product does not pick up paper or misfeeds](#)
- [Clear jams](#)
- [Improve print quality](#)
- [Solve wired network problems](#)

For more information:

In the US, go to www.hp.com/support/ljM701 or www.hp.com/support/ljM706.

Outside the US, go to www.hp.com/support. Select your country/region. Click **Troubleshooting**. Enter the product name, and then select **Search**.

HP's all-inclusive help for your product includes the following information:


- Install and configure
- Learn and use
- Solve problems
- Download software updates
- Join support forums
- Find warranty and regulatory information

Customer support

Get telephone support for your country/region	Country/region phone numbers are on the flyer that was in the box with your product or at www.hp.com/support/ .
Have the product name, serial number, date of purchase, and problem description ready.	
Get 24-hour Internet support, and download software utilities, drivers, and electronic information	www.hp.com/support/ljM701 or www.hp.com/support/ljM706
Order additional HP service or maintenance agreements	www.hp.com/go/carepack
Register your product	www.register.hp.com

Restore the factory-set defaults

Restoring the factory-set defaults returns all of the product and network settings to the factory defaults. It will not reset the page count, tray size, or language. To restore the product to the factory-default settings, follow these steps.

 **CAUTION:** Restoring the factory-set defaults returns all of the settings to the factory defaults, and it also deletes any pages that are stored in the memory. The procedure then automatically restarts the product.

1. On the product control panel, press the **OK** button to open the menus.
2. Open the following menus:
 - **Service**
 - **Restore Defaults**

The product automatically restarts.

A “Cartridge is low” or “Cartridge is very low” message displays on the product control panel

Cartridge is low: The product indicates when a toner cartridge level is low. Actual toner cartridge life remaining may vary. Consider having a replacement available to install when print quality is no longer acceptable. The toner cartridge does not need to be replaced now.

Cartridge is very low: The product indicates when the toner cartridge level is very low. Actual toner cartridge life remaining may vary. Consider having a replacement available to install when print quality is no longer acceptable. The toner cartridge does not need to be replaced now unless the print quality is no longer acceptable.

Once an HP toner cartridge has reached **Very Low**, HP’s Premium Protection Warranty on that toner cartridge has ended.

Change the “Very Low” settings

Use the product control panel to change the way the product reacts when supplies reach the Very Low state. It is not necessary to re-establish these settings after installing a new toner cartridge.

1. On the product control panel, press the **OK** button.
2. Open the following menus:
 - **System Setup**
 - **Supply Settings**
 - **Black Cartridge**
 - **Very Low Setting**
3. Select one of the following options:
 - Select the **Stop** option to set the product to stop printing when the cartridge reaches the **Very Low** threshold.
 - Select the **Prompt** option to set the product to stop printing when the cartridge reaches the **Very Low** threshold. Acknowledge the prompt or replace the cartridge to resume printing.
 - Select the **Continue** option to set the product to display an alert that the cartridge is very low, and to continue printing beyond the **Very Low** setting without interaction. This can result in unsatisfactory print quality.

Order supplies

Order supplies and paper	www.hp.com/go/suresupply
Order through service or support providers	Contact an HP-authorized service or support provider.
Order using the HP Embedded Web Server (EWS)	To access, in a supported Web browser on your computer, enter the product IP address or host name in the address/URL field. The EWS contains a link to the HP SureSupply Web site, which provides options for purchasing Original HP supplies.

Product does not pick up paper or misfeeds

- [The product does not pick up paper](#)
- [The product picks up multiple sheets of paper](#)

The product does not pick up paper

If the product does not pick up paper from the tray, try these solutions.

1. Open the product and remove any jammed sheets of paper.
2. Load the tray with the correct size of paper for your job.
3. Make sure the paper size and type are set correctly on the product control panel.
4. Make sure the paper guides in the tray are adjusted correctly for the size of paper. Adjust the guides to the appropriate indentation in the tray.
5. Check the product control panel to see if the product is waiting for you to acknowledge a prompt to feed the paper manually. Load paper, and continue.
6. The rollers above the tray might be contaminated. Clean the rollers with a lint-free cloth dampened with warm water.

The product picks up multiple sheets of paper

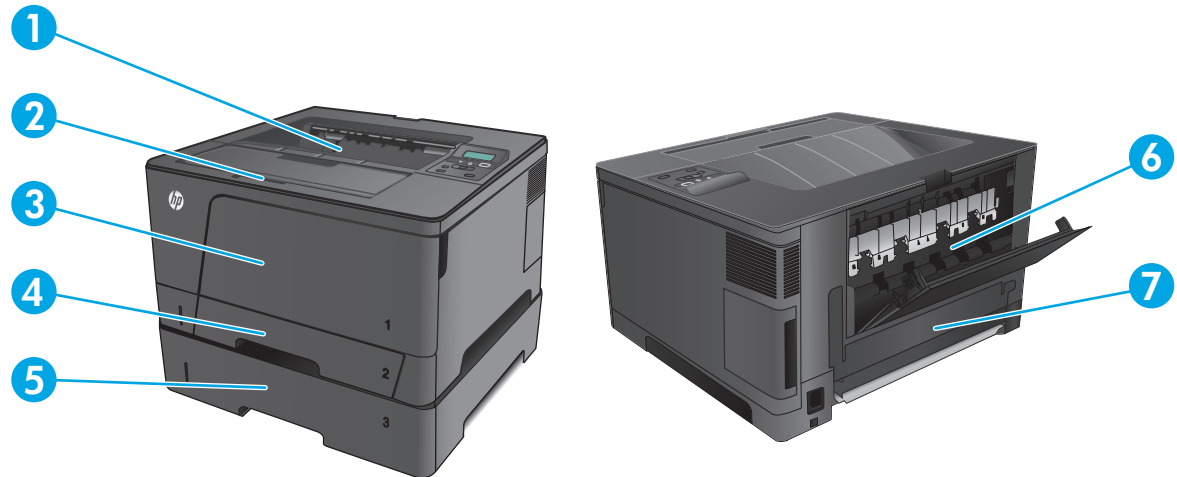
If the product picks up multiple sheets of paper from the tray, try these solutions.

1. Remove the stack of paper from the tray and flex it, rotate it 180 degrees, and flip it over. *Do not fan the paper.* Return the stack of paper to the tray.
2. Use only paper that meets HP specifications for this product.
3. Use paper that is not wrinkled, folded, or damaged. If necessary, use paper from a different package.
4. Make sure the tray is not overfilled. If it is, remove the entire stack of paper from the tray, straighten the stack, and then return some of the paper to the tray.
5. Make sure the paper guides in the tray are adjusted correctly for the size of paper. Adjust the guides to the appropriate indentation in the tray.
6. Make sure the printing environment is within recommended specifications.

Clear jams

Jam locations

Jams can occur in these locations:



1	Output bin
2	Print cartridge area
3	Tray 1
4	Tray 2
5	Optional Tray 3 (M706n model only)
6	Rear door
7	Duplex unit area (M706n model only)

Loose toner might remain in the product after a jam. This problem typically resolves itself after a few sheets have been printed.

Experiencing frequent or recurring paper jams?

To reduce the number of paper jams, try these solutions.

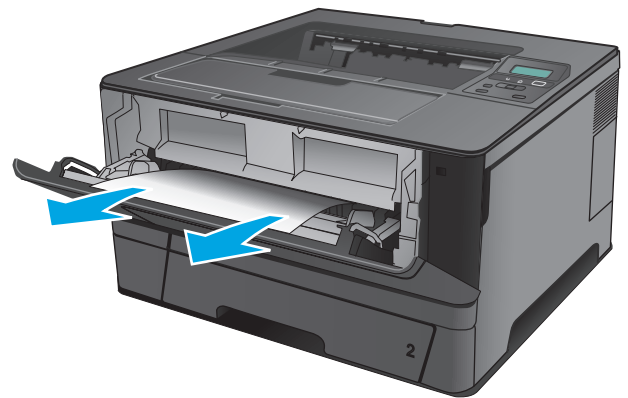
1. Use only paper that meets HP specifications for this product.
2. Use paper that is not wrinkled, folded, or damaged. If necessary, use paper from a different package.
3. Use paper that has not previously been printed or copied on.
4. Make sure the tray is not overfilled. If it is, remove the entire stack of paper from the tray, straighten the stack, and then return some of the paper to the tray.
5. Make sure the paper guides in the tray are adjusted correctly for the size of paper. Adjust the guides so they are touching the paper stack without bending it.
6. Make sure that the tray is fully inserted in the product.

7. If you are printing on heavy, embossed, or perforated paper, use the manual feed feature and feed sheets one at a time.
8. Verify that the tray is configured correctly for the paper type and size.
 - a. On the product control panel, press the **OK** button.
 - b. Open the following menus:
 - **System Setup**
 - **Paper Setup**
 - c. Verify the tray is configured for the paper type and size.
9. Make sure the printing environment is within recommended specifications.

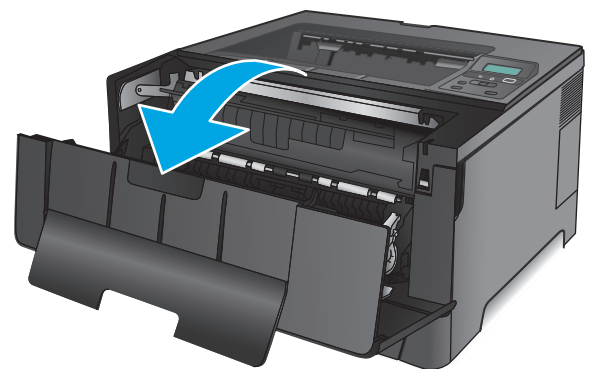
Clear jams in Tray 1

1. If most of the sheet of paper is visible in the tray, slowly pull the jammed paper out of the product using both hands.

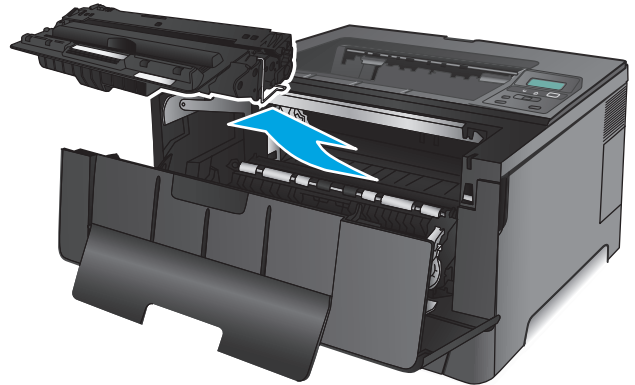
If most of the sheet of paper has been pulled inside the product or no paper is visible, continue with the following steps.



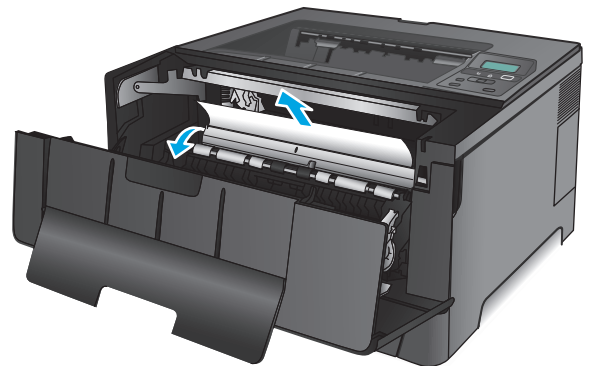
2. Open the front door.



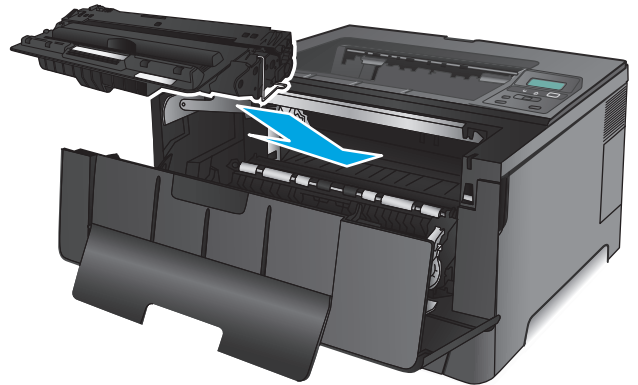
3. Remove the toner cartridge.



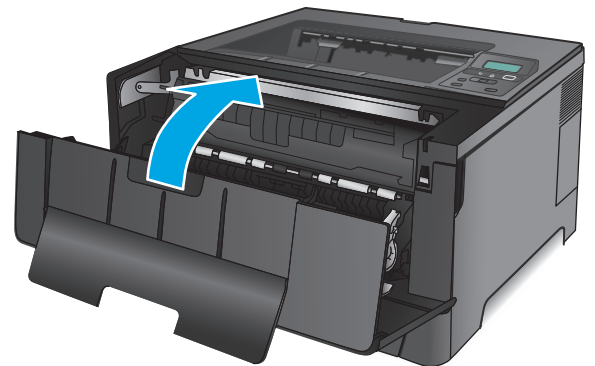
4. Lift the jam-plate and carefully remove any jammed paper. Use both hands to remove jammed paper to avoid tearing the paper.



5. Reinsert the toner cartridge.

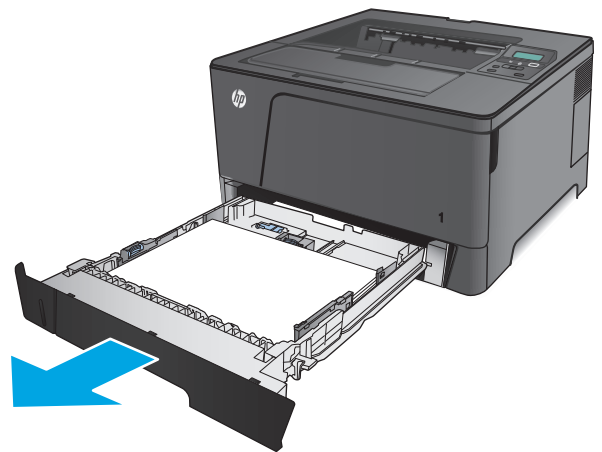


6. Close the front door.

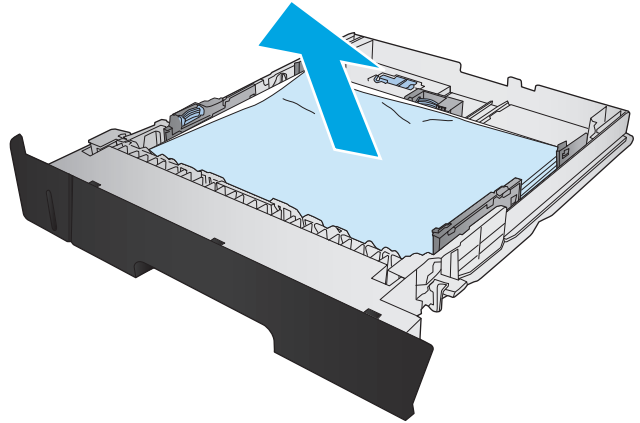


Clear jams in Tray 2

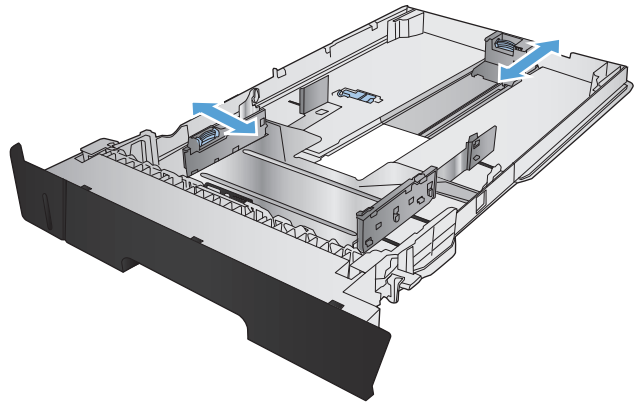
1. Remove the tray from the product.



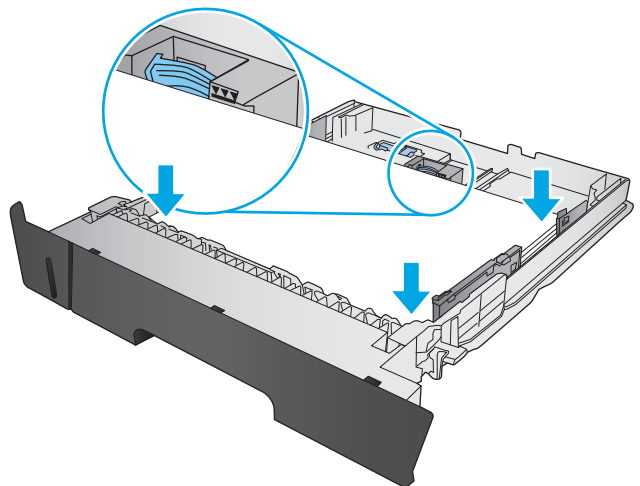
2. Remove the paper from the tray, and discard any damaged paper.



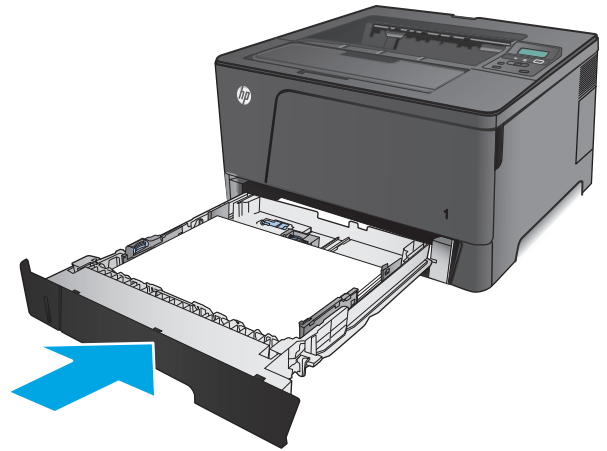
3. Make sure the paper guides are adjusted for the correct paper size. If necessary, unlock the tray using the slide lock at the rear of the tray, and then adjust to the correct paper size.



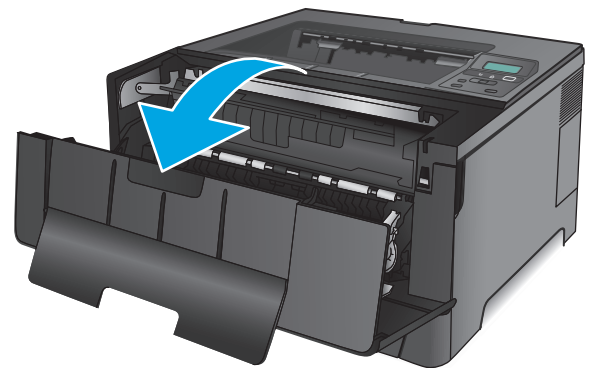
4. Load the paper into the tray. Make sure that the stack is flat at all four corners and that the top of the stack is below the maximum-height indicators.



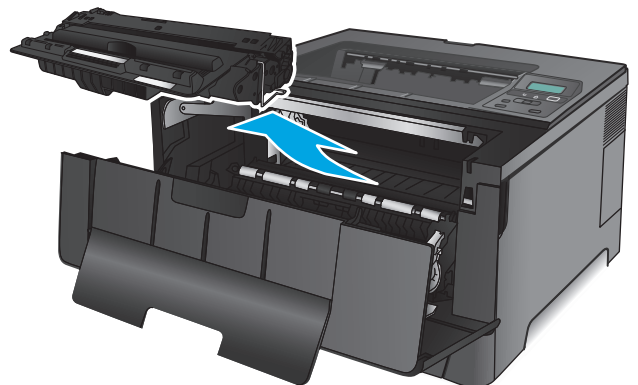
5. Reinsert and close the tray.



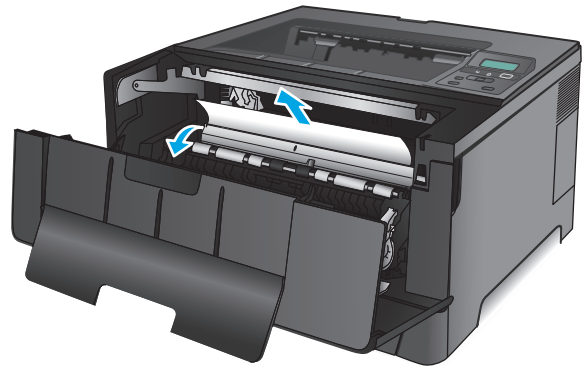
6. Open the front door.



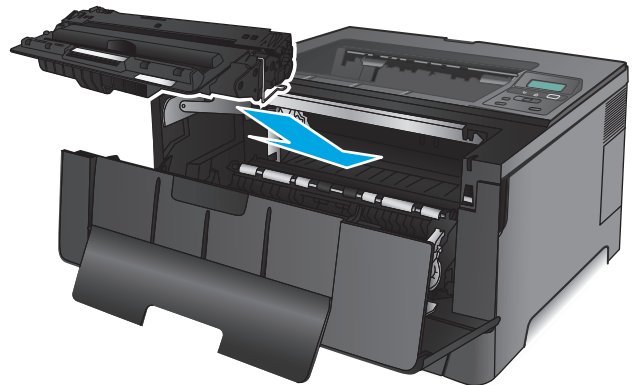
7. Remove the toner cartridge.



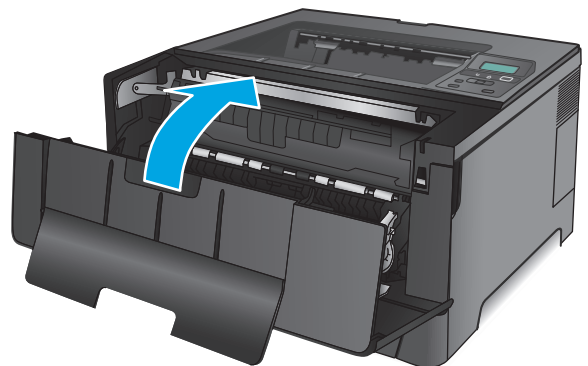
8. Lift the jam-plate and carefully remove any jammed paper. Use both hands to remove jammed paper to avoid tearing the paper.



9. Reinsert the toner cartridge.

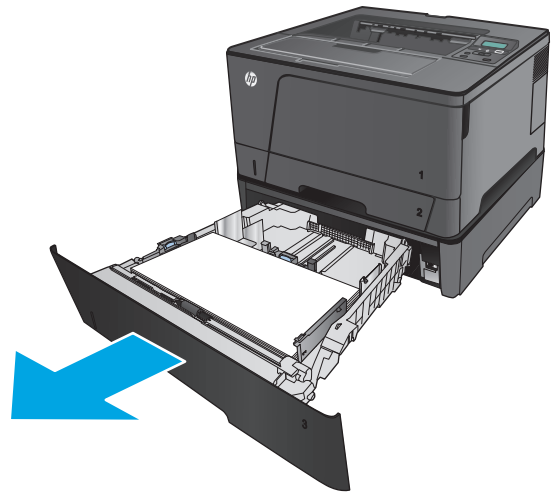


10. Close the front door.

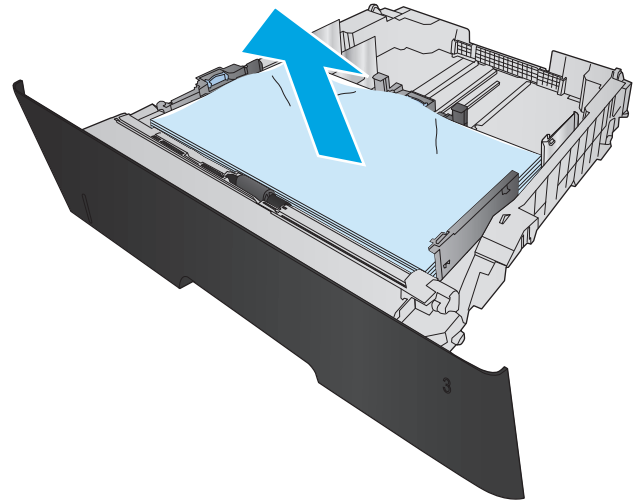


Clear jams in Tray 3 (M706n model only)

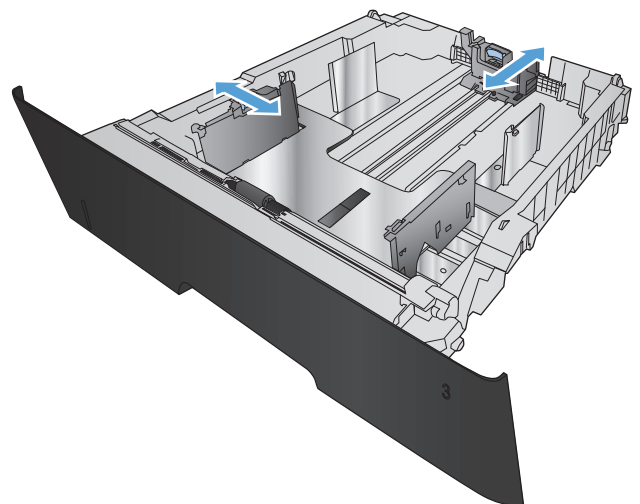
1. Remove the tray from the product.



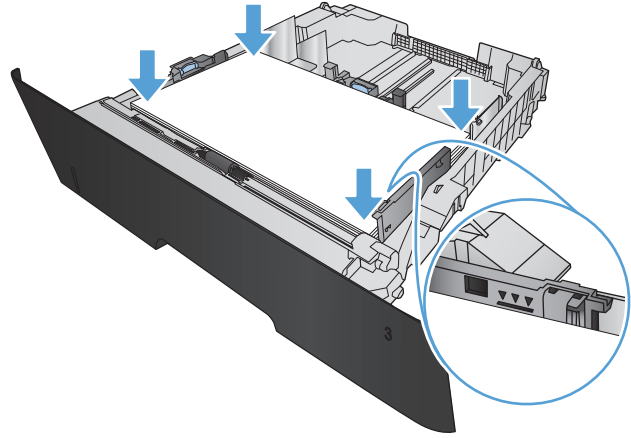
2. Remove the paper from the tray, and discard any damaged paper.



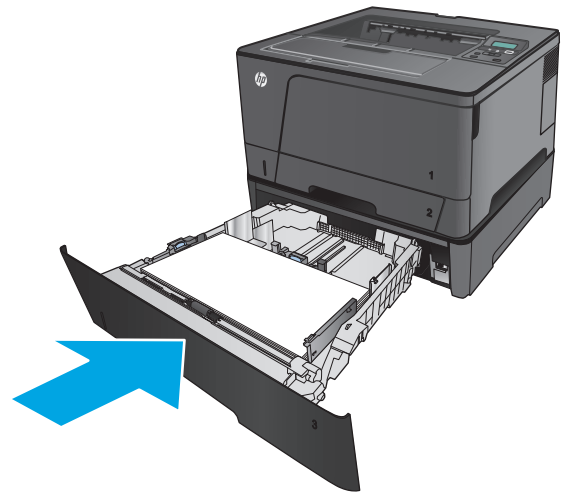
3. Make sure the paper guides are adjusted for the correct paper size.



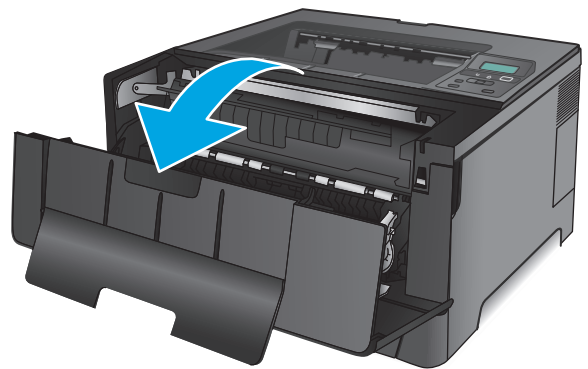
- 4. Load the paper into the tray. Make sure that the stack is flat at all four corners and that the top of the stack is below the maximum-height indicators.



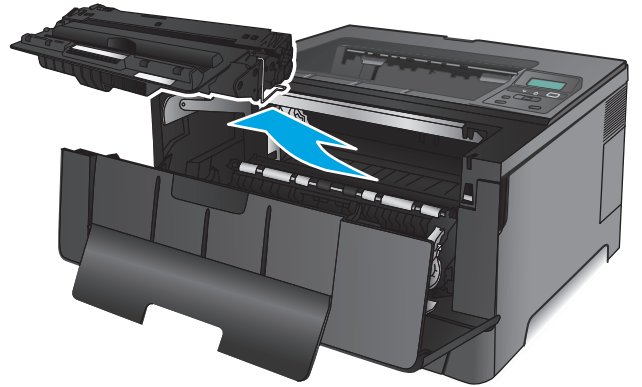
- 5. Reinsert and close the tray.



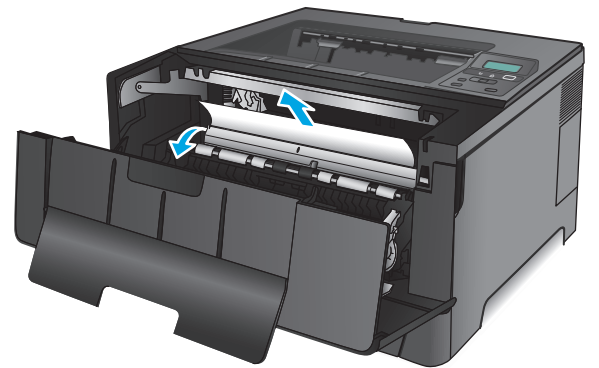
- 6. Open the front door.



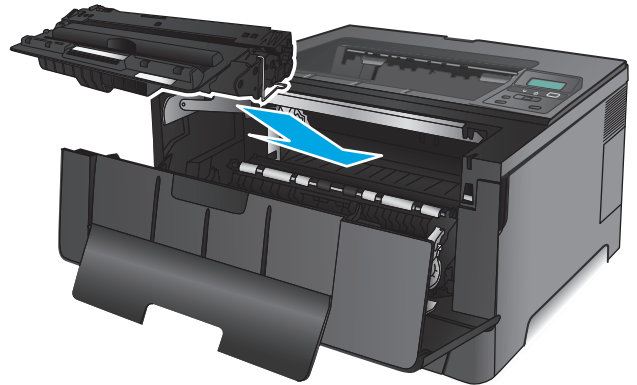
7. Remove the toner cartridge.



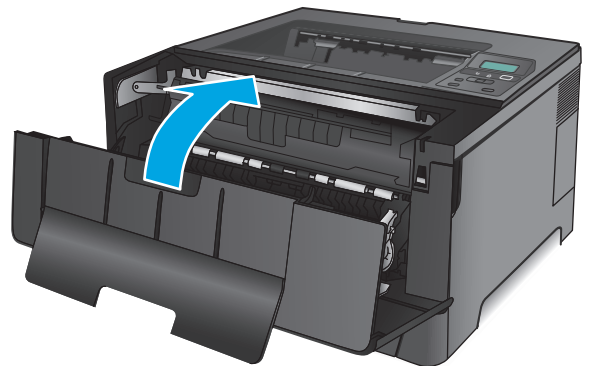
8. Lift the jam-plate and carefully remove any jammed paper. Use both hands to remove jammed paper to avoid tearing the paper.



9. Reinsert the toner cartridge.

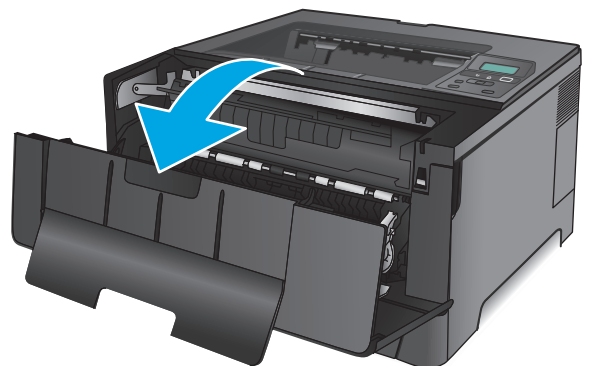


10. Close the front door.

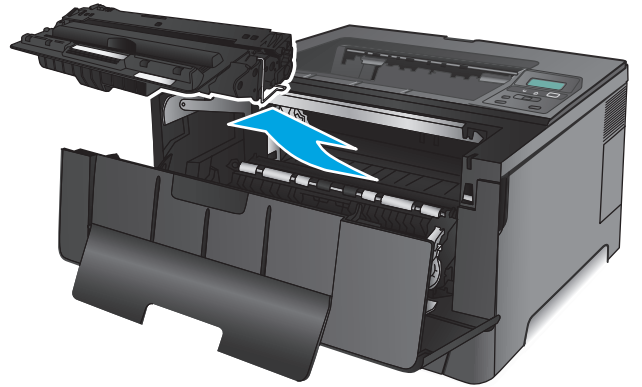


Clear jams in the toner-cartridge area

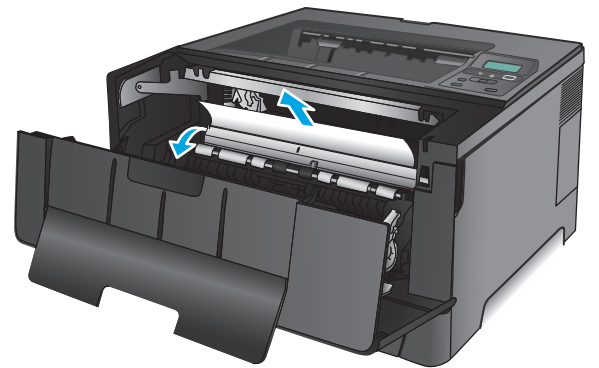
1. Open the front door.



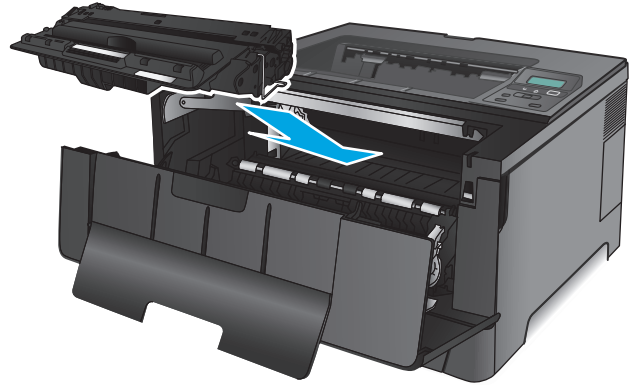
2. Remove the toner cartridge.



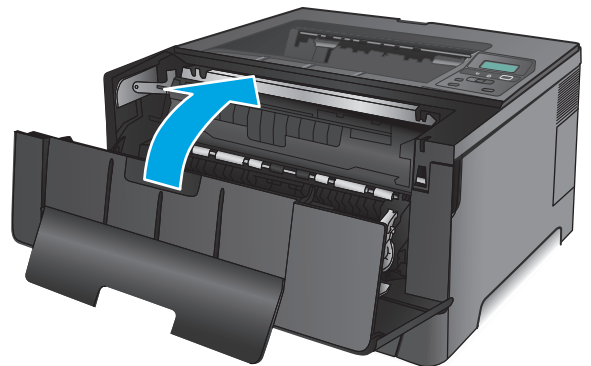
3. Lift the jam-plate and carefully remove any jammed paper. Use both hands to remove jammed paper to avoid tearing.



4. Reinsert the toner cartridge.

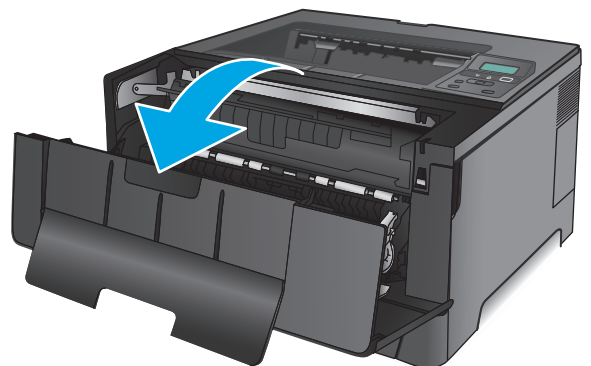


5. Close the front door.

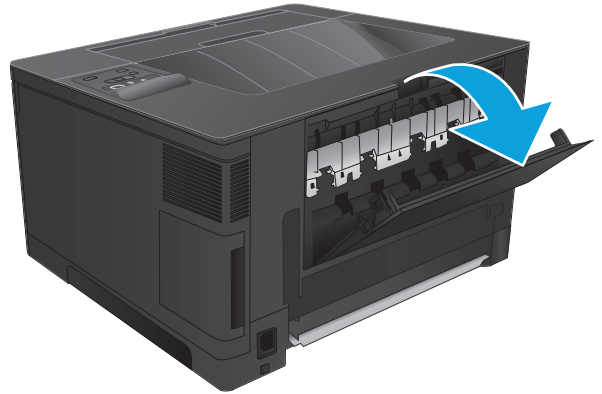


Clear jams in the rear door and fuser area

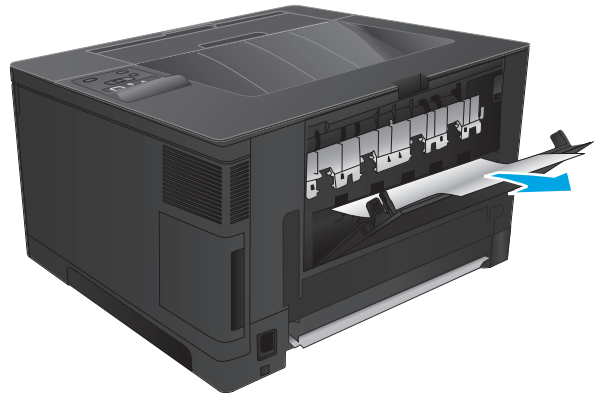
1. Open the front door.



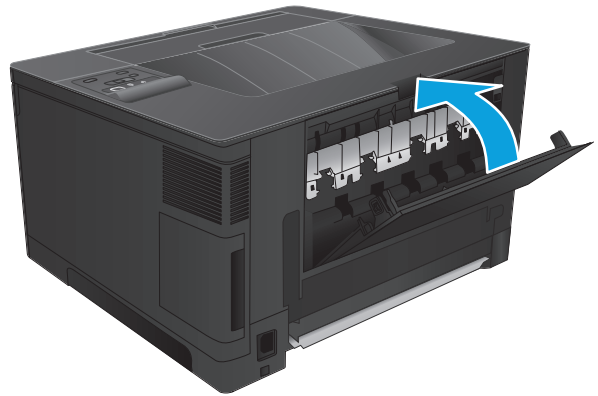
2. Open the rear door to check for jammed paper.



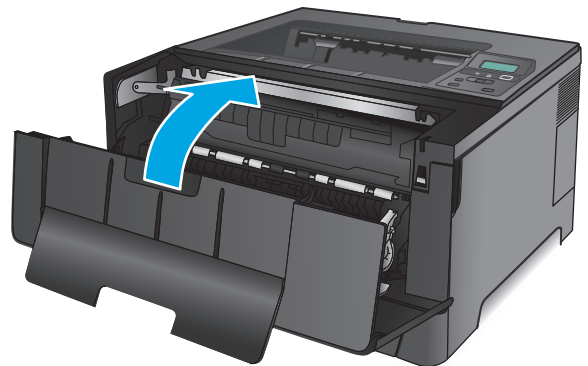
3. Remove any jammed paper. Use both hands to pull out the paper to avoid tearing.



4. Close the rear door.



5. Close the front door.

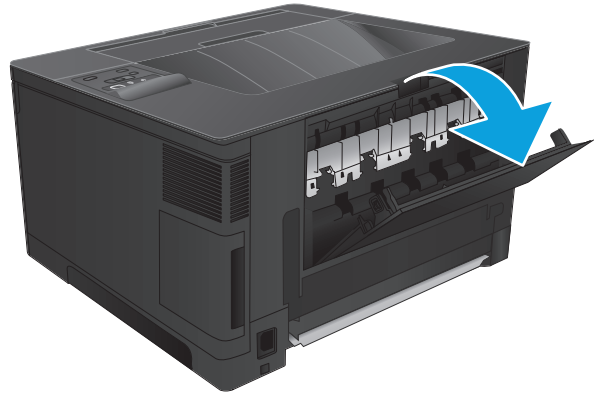


Clear jams in the output bin

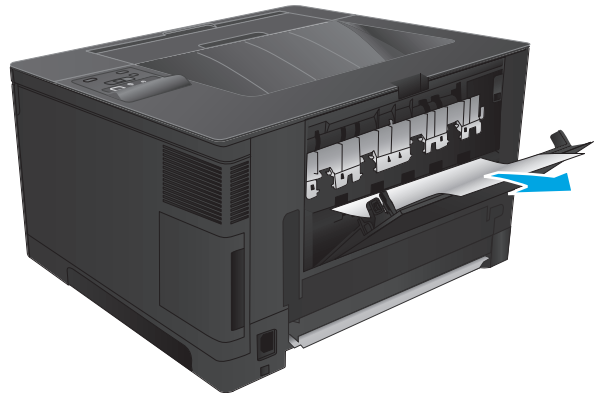
1. If paper is visible in the output bin, grasp the leading edge with both hands and slowly remove it.



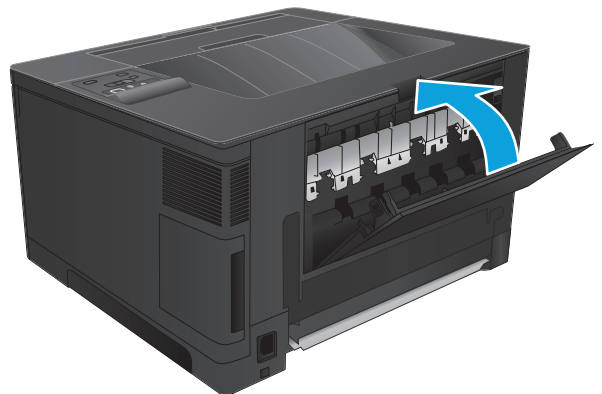
2. Open the rear door to check for jammed paper.



3. Remove any jammed paper. Use both hands to pull out the paper to avoid tearing.

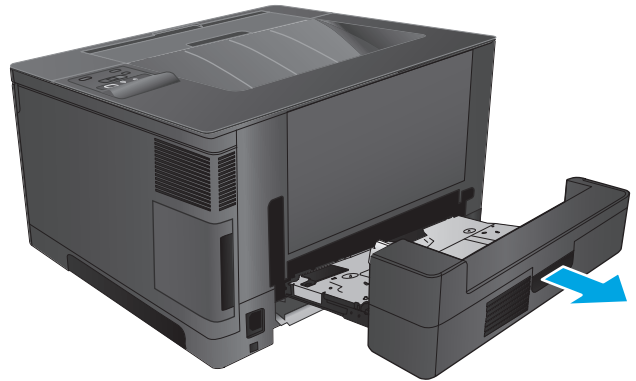


4. Close the rear door.

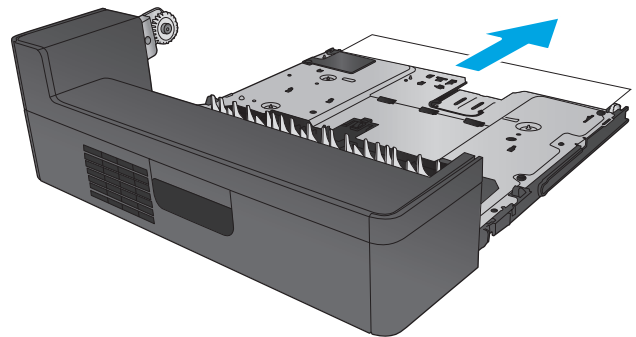


Clear jams in the optional duplexer (M706n model only)

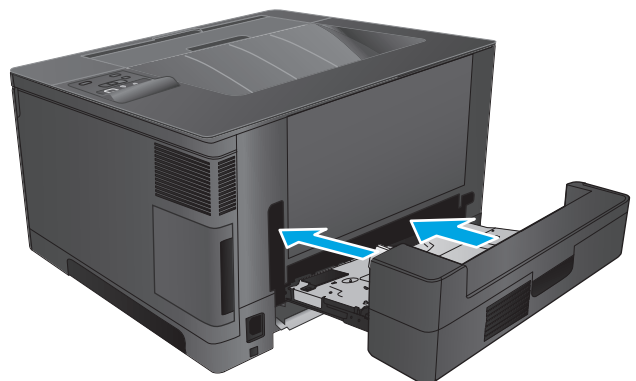
1. Remove the duplexer.



2. Remove any paper from the duplexer.



3. Reinstall the duplexer.



Improve print quality

If the product is having print-quality problems, try the following solutions in the order presented to resolve the issue.

- [Print from a different software program](#)
- [Check the paper-type setting for the print job](#)
- [Check the toner-cartridge status](#)
- [Print a cleaning page](#)
- [Visually inspect the toner cartridge for damage](#)
- [Check paper and the printing environment](#)
- [Check other print job settings](#)
- [Try a different print driver](#)

Print from a different software program

Try printing from a different software program. If the page prints correctly, the problem is with the software program from which the page was printed.

Check the paper-type setting for the print job

Check the paper type setting when printing from a software program and the printed pages have smears, fuzzy or dark print, curled paper, scattered dots of toner, loose toner, or small areas of missing toner.

Check the paper type setting (Windows)

1. From the software program, select the **Print** option.
2. Select the product, and then click the **Properties** or **Preferences** button.
3. Click the **Paper/Quality** tab.
4. From the **Paper Type** drop-down list, click the **More...** option.
5. Expand the list of **Type is:** options.
6. Expand the category of paper types that best describes your paper.
7. Select the option for the type of paper being used, and click the **OK** button.
8. Click the **OK** button to close the **Document Properties** dialog box. In the **Print** dialog box, click the **OK** button to print the job.

Check the paper type setting (Mac OS X)

1. Click the **File** menu, and then click the **Print** option.
2. In the **Printer** menu, select the product.
3. By default, the print driver displays the **Copies & Pages** menu. Open the menus drop-down list, and then click the **Finishing** menu.

4. Select a type from the **Media Type** drop-down list.
5. Click the **Print** button.

Check the toner-cartridge status

Check the supplies status page for the following information:

- Estimated percentage of cartridge life remaining
- Approximate pages remaining
- Part numbers for HP toner cartridges
- Number of pages printed

Use the following procedure to print the supplies status page:

1. On the product control panel, press the **OK** button.
2. Scroll to the **Reports** menu, and press the **OK** button.
3. Scroll to the **Supplies Status** option, and then press the **OK** button to print a report of the status of all supply items.
4. Check the percent of life remaining for the toner cartridge and if applicable, the status of other replaceable maintenance parts.

Print quality problems can occur when using a toner cartridge that is at its estimated end of life. The supplies status page indicates when a supply level is very low. After an HP supply has reached the very low threshold, HP's premium protection warranty on that supply has ended.

The toner cartridge does not need to be replaced now unless the print quality is no longer acceptable. Consider having a replacement available to install when print quality is no longer acceptable.

If a toner cartridge or other replaceable maintenance part needs to be replaced, the supplies status page lists the genuine HP part numbers.

5. Check to see if a genuine HP cartridge is installed.

A genuine HP toner cartridge has the words "HP" or "Hewlett-Packard" on it, or has the HP logo on it. For more information on identifying HP cartridges go to www.hp.com/go/learnaboutsupplies.

Hewlett-Packard cannot recommend the use of non-HP supplies, either new or remanufactured. Because they are not HP products, HP cannot influence their design or control their quality. If you are using a refilled or remanufactured toner cartridge and are not satisfied with the print quality, replace the toner cartridge with a genuine HP toner cartridge.

Print a cleaning page

During the printing process paper, toner, and dust particles can accumulate inside the product and can cause print-quality issues such as toner specks or spatter, smears, streaks, lines, or repeating marks.

Follow these steps to clean the product's paper path.

1. On the product control panel, press the **OK** button.
2. Scroll to the **Service** menu, and press the **OK** button.
3. Scroll to the **Cleaning Page** option, and press the **OK** button.

A **Cleaning** message displays on the product control panel. The cleaning process takes a few minutes to complete. Do not turn the product off until the cleaning process has finished. When it is finished, discard the printed page.

Visually inspect the toner cartridge for damage

1. Remove the toner cartridge from the product, and verify that the sealing tape has been removed.
2. Check the memory chip for damage.
3. Examine the surface of the imaging drum on the toner cartridge.

CAUTION: Do not touch the roller (imaging drum) on the cartridge. Fingerprints on the imaging drum can cause print-quality problems.

4. If there are any scratches, fingerprints, or other damage on the imaging drum, replace the toner cartridge.
5. If the imaging drum does not appear to be damaged, rock the toner cartridge gently several times and reinstall it. Print a few pages to see if the problem has resolved.

Check paper and the printing environment

Step one: Use paper that meets HP specifications

Some print-quality problems arise from using paper that does not meet HP specifications.

- Always use a paper type and weight that this product supports.
- Use paper that is of good quality and free of cuts, nicks, tears, spots, loose particles, dust, wrinkles, voids, staples, and curled or bent edges.
- Use paper that has not been previously printed on.
- Use paper that does not contain metallic material, such as glitter.
- Use paper that is designed for use in laser printers. Do not use paper that is designed only for use in Inkjet printers.
- Use paper that is not too rough. Using smoother paper generally results in better print quality.

Step two: Check the environment

The environment can directly affect print quality and is a common cause for print-quality or paper-feeding issues. Try the following solutions:

- Move the product away from drafty locations, such as open windows or doors, or air-conditioning vents.
- Make sure the product is not exposed to temperatures or humidity outside of product specifications.
- Do not place the product in a confined space, such as a cabinet.
- Place the product on a sturdy, level surface.

- Remove anything that is blocking the vents on the product. The product requires good air flow on all sides, including the top.
- Protect the product from airborne debris, dust, steam, grease, or other elements that can leave residue inside the product.

Check other print job settings

When printing from a software program, follow these steps to try to resolve the issue by adjusting other print-driver settings.

Check the EconoMode settings

HP does not recommend the full-time use of EconoMode. If EconoMode is used full-time, the toner supply might outlast the mechanical parts in the toner cartridge. If print quality begins to degrade and is no longer acceptable, consider replacing the toner cartridge.



NOTE: This feature is available with the PCL 6 print driver for Windows. If you are not using that driver, enable the feature by using the HP Embedded Web Server.

Follow these steps if the entire page is too dark or too light.

1. From the software program, select the **Print** option.
2. Select the product, and then click the **Properties** or **Preferences** button.
3. Click the **Paper/Quality** tab, and locate the **Print Quality** area.
4. If the entire page is too dark, use these settings:
 - Select the **600 dpi** option.
 - Select the **EconoMode** check box to enable it.

If the entire page is too light, use these settings:

- Select the **FastRes 1200** option.
 - Clear the **EconoMode** check box to disable it.
5. Click the **OK** button to close the **Document Properties** dialog box. In the **Print** dialog, click the **OK** button to print the job.

Try a different print driver

Try a different print driver when printing from a software program and the printed pages have unexpected lines in graphics, missing text, missing graphics, incorrect formatting, or substituted fonts.

Download any of the following drivers from the HP Web site. In the US, go to www.hp.com/support/ljM701 or www.hp.com/support/ljM706. Outside the US, go to www.hp.com/support. Select your country/region. Click **Download Drivers & Software**. Enter the product name, and then select **Search**.

HP PCL 6 driver	<ul style="list-style-type: none"> • Provided as the default driver on the product CD. This driver is automatically installed unless a different one is selected. • Recommended for all Windows environments • Provides the overall best speed, print quality, and product-feature support for most users • Developed to align with the Windows Graphic Device Interface (GDI) for the best speed in Windows environments • Might not be fully compatible with third-party and custom software programs that are based on PCL 5
HP UPD PS driver	<ul style="list-style-type: none"> • Recommended for printing with Adobe® software programs or with other highly graphics-intensive software programs • Provides support for printing from postscript emulation needs, or for postscript flash font support
HP UPD PCL 5	<ul style="list-style-type: none"> • Recommended for general office printing in Windows environments • Compatible with previous PCL versions and older HP LaserJet products • The best choice for printing from third-party or custom software programs • The best choice when operating with mixed environments, which require the product to be set to PCL 5 (UNIX, Linux, mainframe) • Designed for use in corporate Windows environments to provide a single driver for use with multiple product models • Preferred when printing to multiple product models from a mobile Windows computer
HP UPD PCL 6	<ul style="list-style-type: none"> • Recommended for printing in all Windows environments • Provides the overall best speed, print quality, and printer feature support for most users • Developed to align with Windows Graphic Device Interface (GDI) for best speed in Windows environments • Might not be fully compatible with third-party and custom software programs that are based on PCL 5

Solve wired network problems

Check the following items to verify that the product is communicating with the network. Before beginning, print a configuration page from the product control panel and locate the product IP address that is listed on this page.

- [Poor physical connection](#)
- [The computer is using the incorrect IP address for the product](#)
- [The computer is unable to communicate with the product](#)
- [The product is using incorrect link and duplex settings for the network](#)
- [New software programs might be causing compatibility problems](#)
- [The computer or workstation might be set up incorrectly](#)
- [The product is disabled, or other network settings are incorrect](#)



NOTE: HP does not support peer-to-peer networking, as the feature is a function of Microsoft operating systems and not of the HP print drivers. For more information, go to Microsoft at www.microsoft.com.

Poor physical connection

1. Verify that the product is attached to the correct network port using a cable of the correct length.
2. Verify that cable connections are secure.
3. Look at the network port connection on the back of the product, and verify that the amber activity light and the green link-status light are lit.
4. If the problem continues, try a different cable or port on the hub.

The computer is using the incorrect IP address for the product

1. Open the printer properties and click the **Ports** tab. Verify that the current IP address for the product is selected. The product IP address is listed on the product configuration page.
2. If you installed the product using the HP standard TCP/IP port, select the box labeled **Always print to this printer, even if its IP address changes**.
3. If you installed the product using a Microsoft standard TCP/IP port, use the hostname instead of the IP address.
4. If the IP address is correct, delete the product and then add it again.

The computer is unable to communicate with the product

1. Test network communication by pinging the network.

- a. Open a command-line prompt on your computer. For Windows, click **Start**, click **Run**, type `cmd`, and then press **Enter**.
 - b. Type `ping` followed by the IP address for your product.

For Mac OS X, open the Network Utility, and then supply the IP address in the correct field in the **Ping** pane.
 - c. If the window displays round-trip times, the network is working.
2. If the ping command failed, verify that the network hubs are on, and then verify that the network settings, the product, and the computer are all configured for the same network.

The product is using incorrect link and duplex settings for the network

Hewlett-Packard recommends leaving these settings in automatic mode (the default setting). If you change these settings, you must also change them for your network.

New software programs might be causing compatibility problems

Verify that any new software programs are correctly installed and that they use the correct print driver.

The computer or workstation might be set up incorrectly

1. Check the network drivers, print drivers, and the network redirection settings.
2. Verify that the operating system is configured correctly.

The product is disabled, or other network settings are incorrect

1. Review the configuration page to check the status of the network protocol. Enable it if necessary.
2. Reconfigure the network settings if necessary.

Index

A

- accessories
 - ordering 24
 - part numbers 24
- AirPrint 39

B

- bins, output
 - locating 4
- browser requirements
 - HP embedded Web Server 45

C

- cartridge
 - replacing 25
- cleaning
 - paper path 80
- control panel
 - locating 4
- covers, locating 4
- customer support
 - online 58

D

- defaults, restoring 59
- double-sided printing
 - Mac 36
 - Windows 33
- duplex printing
 - Mac 36
- duplex printing (double-sided)
 - settings (Windows) 32
 - Windows 33
- duplexing
 - manually (Mac) 36
 - manually (Windows) 33

E

- EconoMode setting 52, 82

- economy settings 52
- Embedded Web Server
 - changing password 51
 - opening 51
- Embedded Web Server (EWS)
 - features 45
- Explorer, versions supported
 - HP Embedded Web Server 45
- F**
 - factory-set defaults, restoring 59

H

- HP Customer Care 58
- HP Device Toolbox, using 45
- HP Embedded Web Server
 - changing password 51
 - opening 51
- HP Embedded Web Server (EWS)
 - features 45
- HP ePrint 38
- HP ePrint software 38
- HP EWS, using 45
- HP Utility 48
- HP Utility for Mac
 - Bonjour 48
 - features 48
- HP Utility, Mac 48
- HP Web Jetadmin 50

I

- interface ports
 - locating 5, 6
- Internet Explorer, versions supported
 - HP Embedded Web Server 45

J

- jams
 - causes of 62
 - locating 62
- Jetadmin, HP Web 50

L

- labels
 - printing (Windows) 35
- loading 15
 - Tray 1 10
 - Tray 2 15

M

- Macintosh
 - HP Utility 48
- manual duplex
 - Mac 36
 - Windows 33
- memory
 - included 2
- multiple pages per sheet
 - printing (Mac) 37
 - printing (Windows) 34

N

- Netscape Navigator, versions supported
 - HP embedded Web Server 45
- network
 - password, changing 51
 - password, setting 51
- network installation 42
- networking 2
- networks
 - HP Web Jetadmin 50
 - installing the product 42

- O**
- on/off button, locating 4
- online support 58
- ordering
 - supplies and accessories 24
- output bin
 - locating 4
- P**
- pages per minute 2
- pages per sheet
 - selecting (Mac) 37
 - selecting (Windows) 34
- paper
 - jams 62
 - ordering 24
 - selecting 81
- paper jams
 - locating 62
- paper pickup problems
 - solving 61
- paper type
 - selecting (Windows) 35
- paper types
 - selecting (Mac) 37
- ports
 - locating 6
- power connection
 - locating 5, 6
- power switch, locating 4
- power-down delay
 - setting 52
- print on both sides
 - Mac 36
 - manually, Windows 33
 - Windows 33
- printing on both sides
 - settings (Windows) 32
- R**
- replacing toner cartridge 25
- restoring factory-set defaults 59
- S**
- settings
 - factory-set defaults, restoring 59
- sleep delay
 - disabling 52
 - enabling 52
- software
 - HP Utility 48
- special paper
 - printing (Windows) 35
- status
 - HP Utility, Mac 48
- supplies
 - low threshold settings 60
 - ordering 24
 - replacing toner cartridge 25
 - status, viewing with HP Utility for Mac 48
 - using when low 60
- supplies status
 - checking 80
- supplies status page
 - printing 80
- support
 - online 58
- Supported operating systems 2
- system requirements
 - HP Embedded Web Server 45
- T**
- technical support
 - online 58
- toner
 - amount remaining 80
- toner cartridge
 - checking for damage 81
 - low threshold settings 60
 - replacing 25
 - using when low 60
- transparencies
 - printing (Windows) 35
- Tray 1
 - loading 10
 - orientation 13
- Tray 2
 - loading 15
 - orientation 18, 22
- Tray 3
 - orientation 22
- trays
 - included 2
 - locating 4
- troubleshooting
 - jams 62
 - network problems 84
 - wired network 84
- two-sided printing
 - settings (Windows) 32
- W**
- Web browser requirements
 - HP Embedded Web Server 45
- Web sites
 - customer support 58
 - HP Web Jetadmin, downloading 50
- wireless networks
 - printing with 38



BS602-90908



Free Manuals Download Website

<http://myh66.com>

<http://usermanuals.us>

<http://www.somanuals.com>

<http://www.4manuals.cc>

<http://www.manual-lib.com>

<http://www.404manual.com>

<http://www.luxmanual.com>

<http://aubethermostatmanual.com>

Golf course search by state

<http://golfingnear.com>

Email search by domain

<http://emailbydomain.com>

Auto manuals search

<http://auto.somanuals.com>

TV manuals search

<http://tv.somanuals.com>