

HP ProLiant BL460c Gen9 Server Blade User Guide

Abstract

This document is for the person who installs, administers, and troubleshoots servers and storage systems. HP assumes you are qualified in the servicing of computer equipment and trained in recognizing hazards in products with hazardous energy levels.



Part Number: 768826-001
September 2014
Edition: 1

© Copyright 2014 Hewlett-Packard Development Company, L.P.

The information contained herein is subject to change without notice. The only warranties for HP products and services are set forth in the express warranty statements accompanying such products and services. Nothing herein should be construed as constituting an additional warranty. HP shall not be liable for technical or editorial errors or omissions contained herein.

Microsoft® and Windows® are U.S. registered trademarks of Microsoft Corporation.

Contents

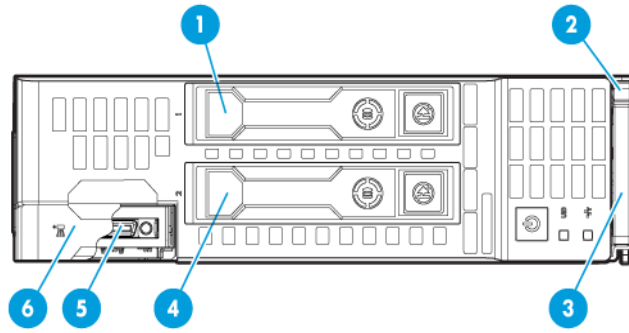
Component identification	6
Front panel components.....	6
Front panel LEDs and buttons.....	6
Power fault LEDs.....	7
Drive numbering.....	7
Hot-plug drive LED definitions.....	8
System board components.....	9
System maintenance switch.....	9
Mezzanine connector definitions.....	10
DIMM slot locations.....	10
SUV cable connectors.....	11
Operations	12
Power up the server blade.....	12
Power down the server blade.....	12
Remove the server blade.....	13
Remove the access panel.....	14
Remove the DIMM baffle.....	14
Remove the storage controller.....	15
Remove the front panel/hard drive cage assembly.....	16
Remove the mezzanine assembly.....	17
Remove the FlexibleLOM.....	18
Install the storage controller.....	18
Install the access panel.....	19
Setup	20
Overview.....	20
Installing an HP BladeSystem c-Class enclosure.....	20
Preparing the enclosure.....	20
Installing server blade options.....	20
Installing interconnect modules.....	21
Interconnect bay numbering and device mapping.....	21
Connecting to the network.....	22
Installing a server blade.....	23
Completing the configuration.....	24
Hardware options installation	25
Introduction.....	25
Drive option.....	25
Storage controller option.....	26
HP Smart Storage Battery option.....	27
Mezzanine card option.....	29
Memory options.....	31
HP SmartMemory.....	32
Memory subsystem architecture.....	32
Single-, dual-, and quad-rank DIMMs.....	33
DIMM identification.....	33

Memory configurations	34
General DIMM slot population guidelines	35
Installing a DIMM.....	36
Processor option.....	37
HP Trusted Platform Module option	42
Installing the Trusted Platform Module board	43
Retaining the recovery key/password.....	45
Enabling the Trusted Platform Module.....	45
Cabling	46
Cabling resources	46
HP Smart Storage Battery cabling	46
Installing the direct connect SATA cable	47
Using the HP c-Class Blade SUV Cable.....	47
Connecting locally to a server blade with video and USB devices	47
Accessing a server blade with local KVM	47
Accessing local media devices	48
Troubleshooting	50
Troubleshooting resources	50
Software and configuration utilities	51
Server mode	51
Product QuickSpecs.....	51
HP iLO	51
Active Health System	52
HP RESTful API support for HP iLO	53
Integrated Management Log.....	53
HP Insight Remote Support	54
Intelligent Provisioning	55
HP Insight Diagnostics	55
Erase Utility	55
Scripting Toolkit for Windows and Linux.....	56
HP Service Pack for ProLiant.....	56
HP Smart Update Manager	56
HP UEFI System Utilities.....	57
Using HP UEFI System Utilities	57
Flexible boot control	58
Restoring and customizing configuration settings	58
Secure Boot configuration	58
Embedded UEFI shell	59
Embedded UEFI diagnostics	59
HP RESTful API support for UEFI	59
Re-entering the server serial number and product ID.....	59
Utilities and features	60
HP Smart Storage Administrator.....	60
ROMPaq utility.....	60
Automatic Server Recovery	60
USB support	61
Redundant ROM support.....	61
Keeping the system current.....	61
Drivers	61
Software and firmware	62
Version control.....	62

HP operating systems and virtualization software support for ProLiant servers	62
HP Technology Service Portfolio.....	63
Change control and proactive notification	63
Battery replacement	64
Regulatory information	65
Safety and regulatory compliance.....	65
Belarus Kazakhstan Russia marking.....	65
Turkey RoHS material content declaration	66
Ukraine RoHS material content declaration	66
Warranty information	66
Electrostatic discharge.....	67
Preventing electrostatic discharge	67
Grounding methods to prevent electrostatic discharge.....	67
Specifications.....	68
Environmental specifications.....	68
Server blade specifications.....	68
Support and other resources	69
Before you contact HP	69
HP contact information.....	69
Customer Self Repair	69
Acronyms and abbreviations.....	77
Documentation feedback	79
Index.....	80

Component identification

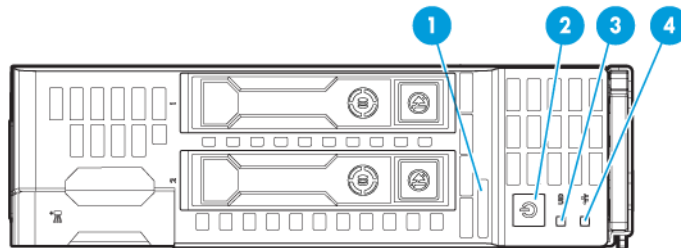
Front panel components



Item	Description
1	Hard drive bay 1
2	Server blade release button
3	Server blade release lever
4	Hard drive bay 2
5	HP c-Class Blade SUV connector* (behind the serial label pull tab)
6	Serial label pull tab

*The SUV connector and the HP c-Class Blade SUV Cable are used for some server blade configuration and diagnostic procedures.

Front panel LEDs and buttons



Item	Description	Status
1	Health status LED bar*	Solid Green = Normal (System is powered on) Flashing Green = Power On/Standby button service is being initialized Flashing Amber = Degraded condition Flashing Red = Critical condition Off = Normal (System is in standby)
2	Power On/Standby	Solid green = System on

Item	Description	Status
	button and system power LED*	Flashing green (1 Hz/cycle per sec) = Performing power on sequence Solid amber = System in standby Off = No power present**
3	UID button/LED*	Solid blue = Activated Flashing blue: <ul style="list-style-type: none"> • 1 Hz/cycle per sec = Remote management or firmware upgrade in progress • 4 Hz/cycle per sec = iLO manual reboot sequence initiated • 8 Hz/cycle per sec = iLO manual reboot sequence in progress Off = Deactivated
4	NIC activity LED*	Solid green = Link to network Flashing green (1 Hz/cycle per sec) = Network active Off = No network activity

*When all four LEDs described in this table flash simultaneously, a power fault has occurred. For more information, see "Power fault LEDs (on page 7)."

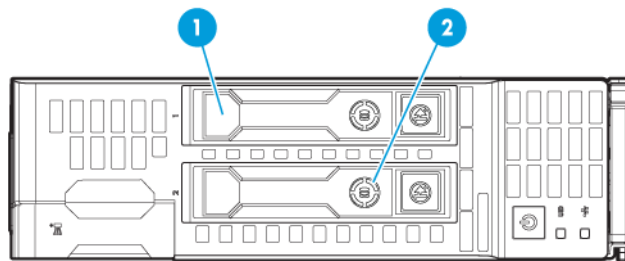
**Facility power is not present, power cord is not attached, no power supplies are installed, power supply failure has occurred, or the power button cable is disconnected.

Power fault LEDs

The following table provides a list of power fault LEDs, and the subsystems that are affected. Not all power faults are used by all servers.

Subsystem	LED behavior
System board	1 flash
Processor	2 flashes
Memory	3 flashes
Riser board PCIe slots	4 flashes
FlexibleLOM	5 flashes
Removable HP Flexible Smart Array controller/Smart SAS HBA controller	6 flashes
System board PCIe slots	7 flashes
Power backplane or storage backplane	8 flashes
Power supply	9 flashes

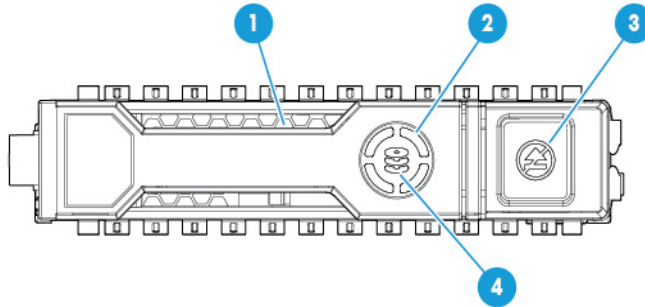
Drive numbering



Item	Description
1	Drive bay 1

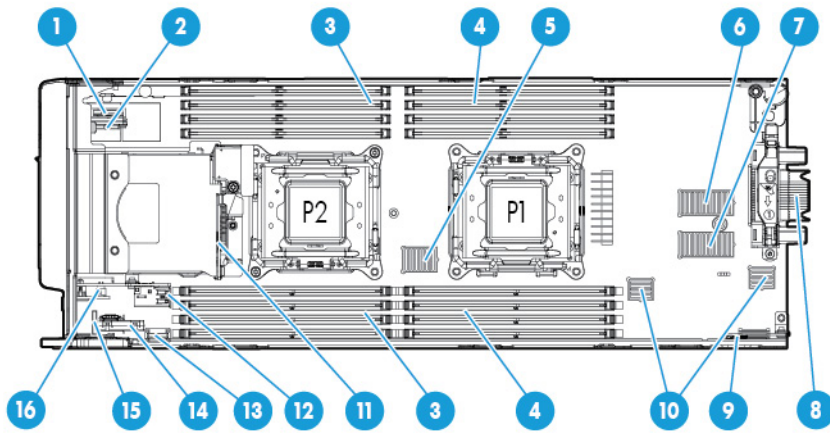
Item	Description
2	Drive bay 2

Hot-plug drive LED definitions



Item	LED	Status	Definition
1	Locate	Solid blue	The drive is being identified by a host application.
		Flashing blue	The drive carrier firmware is being updated or requires an update.
2	Activity ring	Rotating green	Drive activity
		Off	No drive activity
3	Do not remove	Solid white	Do not remove the drive. Removing the drive causes one or more of the logical drives to fail.
		Off	Removing the drive does not cause a logical drive to fail.
4	Drive status	Solid green	The drive is a member of one or more logical drives.
		Flashing green	The drive is rebuilding or performing a RAID migration, strip size migration, capacity expansion, or logical drive extension, or is erasing.
		Flashing amber/green	The drive is a member of one or more logical drives and predicts the drive will fail.
		Flashing amber	The drive is not configured and predicts the drive will fail.
		Solid amber	The drive has failed.
		Off	The drive is not configured by a RAID controller.

System board components



Item	Description
1	System battery
2	Solid state device connector
3	Processor 2 DIMM slots (8)
4	Processor 1 DIMM slots (8)
5	SAS controller connector
6	Mezzanine connector 1 (Type A mezzanine only) ■
7	Mezzanine connector 2 (Type A or Type B mezzanine) ● ◆
8	Enclosure connector
9	MicroSD card slot
10	FlexibleLOM connectors (2) ◆
11	Drive backplane
12	Internal USB connector
13	HP Smart Storage Battery connector
14	Direct-connect SATA connector
15	System maintenance switch
16	TPM connector

The symbols ◆ ■ ● ◆ correspond to the symbols located on the interconnect bays. For more information, see the *HP ProLiant BL460c Gen9 Server Blade Installation Instructions* on the HP website (<http://www.hp.com/support>).

System maintenance switch

Position	Default	Function
S1	Off	Off = iLO security is enabled. On = iLO security is disabled.
S2	Off	Off = System configuration can be changed. On = System configuration is locked.

Position	Default	Function
S3	Off	Reserved
S4	Off	Reserved
S5	Off	Off = Power-on password is enabled. On = Power-on password is disabled.
S6	Off	Off = No function. On = ROM reads system configuration as invalid.
S7	Off	Off = Set default boot mode to UEFI. On = Set default boot mode to legacy.
S8	—	Reserved
S9	—	Reserved
S10	—	Reserved
S11	—	Reserved
S12	—	Reserved

To access the redundant ROM, set S1, S5, and S6 to on.

When the system maintenance switch position 6 is set to the On position, the system is prepared to erase all system configuration settings from both CMOS and NVRAM.



CAUTION: Clearing CMOS and/or NVRAM deletes configuration information. Be sure to properly configure the server or data loss could occur.

Mezzanine connector definitions

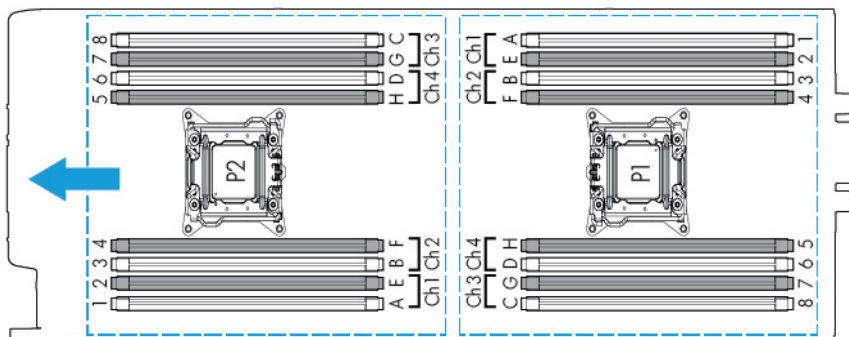
Item	PCIe
Mezzanine connector 1	x16, Type A mezzanine card only
Mezzanine connector 2*	x16, Type A or B mezzanine card

*When installing a mezzanine option on mezzanine connector 2, processor 2 must be installed.

DIMM slot locations

DIMM slots are numbered sequentially (1 through 8) for each processor. The supported AMP modes use the alpha assignments for population order, and the slot numbers designate the DIMM slot ID for spare replacement.

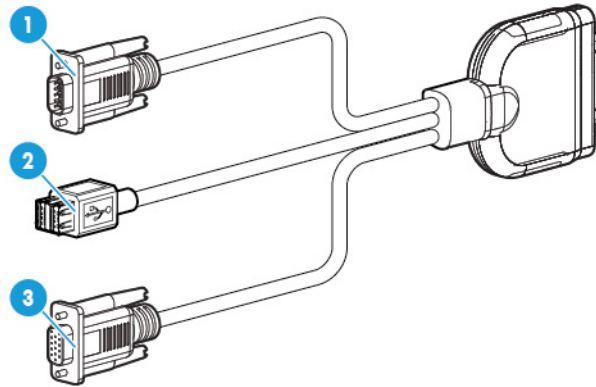
The arrow points to the front of the server blade.



SUV cable connectors



CAUTION: Before disconnecting the SUV cable from the connector, always squeeze the release buttons on the sides of the connector. Failure to do so can result in damage to the equipment.



Item	Connector	Description
1	Serial	For trained personnel to connect a null modem serial cable and perform advanced diagnostic procedures
2	USB	For connecting up to two USB devices
3	Video	For connecting a video monitor

Operations

Power up the server blade

The Onboard Administrator initiates an automatic power-up sequence when the server blade is installed. If the default setting is changed, use one of the following methods to power up the server blade:

- Use a virtual power button selection through HP iLO.
- Press and release the Power On/Standby button.

When the server blade goes from the standby mode to the full power mode, the system power LED changes from amber to solid green. The health status LED bar flashes green when the Power On/Standby Button service is being initialized. For more information about the system power LED status, see "Front panel LEDs and buttons (on page 6)."

For more information about the Onboard Administrator, see the enclosure setup and installation guide on the HP website (<http://www.hp.com/support/oa>).

For more information about HP iLO, see "HP iLO (on page 51)."

Power down the server blade

Before powering down the server blade for any upgrade or maintenance procedures, perform a backup of critical server data and programs.



IMPORTANT: When the server blade is in standby mode, auxiliary power is still being provided to the system.

Depending on the Onboard Administrator configuration, use one of the following methods to power down the server blade:

- Press and release the Power On/Standby button.
This method initiates a controlled shutdown of applications and the OS before the server blade enters standby mode.
- Press and hold the Power On/Standby button for more than 4 seconds to force the server blade to enter standby mode.
This method forces the server blade to enter standby mode without properly exiting applications and the OS. If an application stops responding, you can use this method to force a shutdown.
- Use a virtual power button selection through HP iLO.
This method initiates a controlled remote shutdown of applications and the OS before the server blade enters standby mode.
- Use the Onboard Administrator CLI to execute one of the following commands:
 - `poweroff server [bay number]`
This command initiates a controlled shutdown of applications and the OS before the server blade enters standby mode.

- `poweroff server [bay number] force`

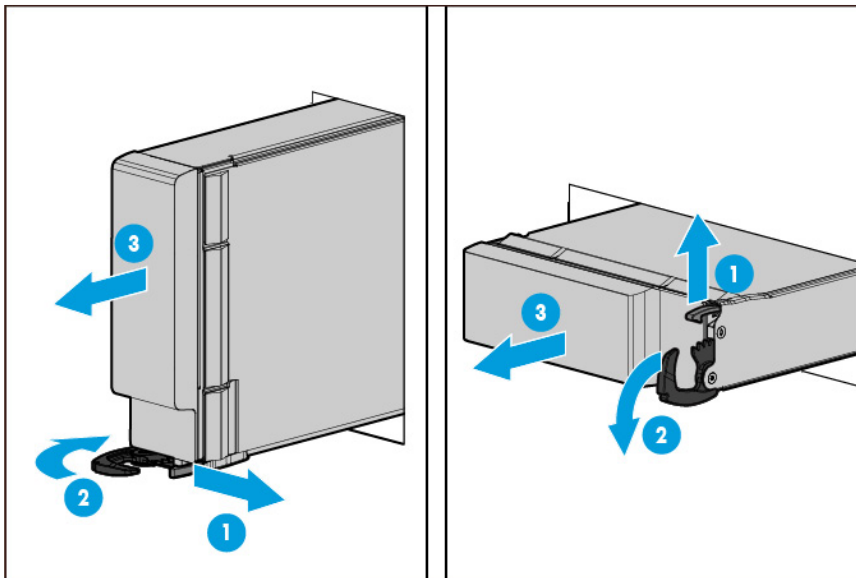
This form of the command forces the server blade to enter standby mode without properly exiting applications and the OS. If an application stops responding, this method forces a shutdown.

- Use the Onboard Administrator GUI to initiate a shutdown:
 - a. Select the **Enclosure Information** tab.
 - b. In the Device Bays item, select the **Overall** checkbox.
 - c. From the Virtual Power menu, initiate a shutdown of applications and the OS:
 - For a controlled shutdown, select **Momentary Press**.
 - For an emergency shutdown, select **Press and Hold**.

Before proceeding, verify the server blade is in standby mode by observing that the system power LED is amber.

Remove the server blade

1. Identify the proper server blade.
2. Power down the server blade (on page 12).
3. Remove the server blade.



4. Place the server blade on a flat, level work surface.



WARNING: To reduce the risk of personal injury from hot surfaces, allow the drives and the internal system components to cool before touching them.



CAUTION: To prevent damage to electrical components, properly ground the server blade before beginning any installation procedure. Improper grounding can cause ESD.

Remove the access panel

To remove the component:

1. Power down the server blade (on page 12).
2. Remove the server blade (on page 13).
3. Place the server blade on a flat, level work surface.
4. Press the access panel release button.
5. Slide the access panel towards the rear of the server blade, and then lift to remove the panel.

Remove the DIMM baffle

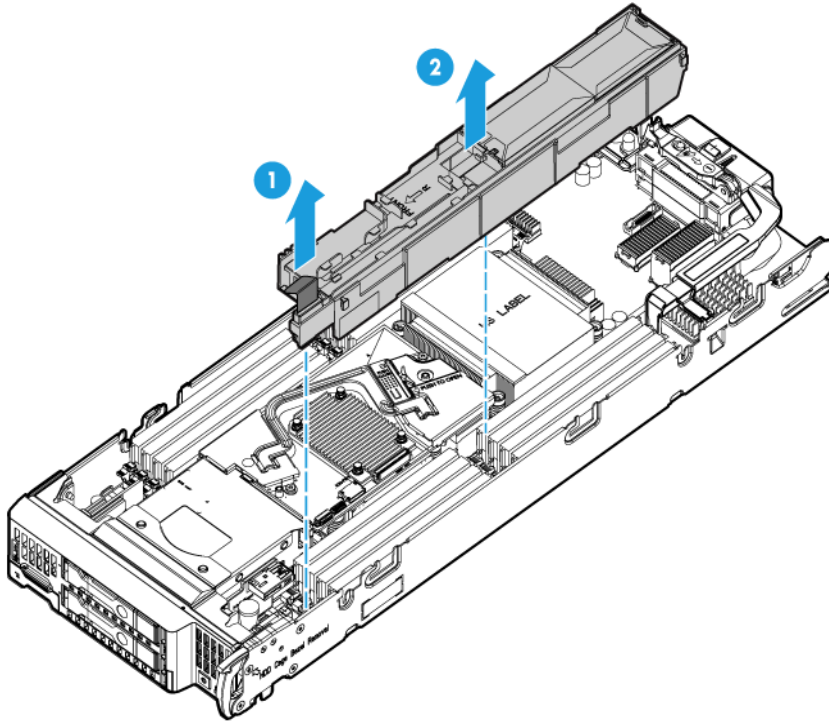
1. Power down the server blade (on page 12).
2. Remove the server blade (on page 13).
3. Place the server blade on a flat, level work surface.
4. Remove the access panel (on page 14).
5. Disconnect the direct connect SATA cable, if installed ("[Installing the direct connect SATA cable](#)" on page 47).
6. Remove the internal USB drive, if installed. To locate the internal USB connector, see "System board components (on page 9)."



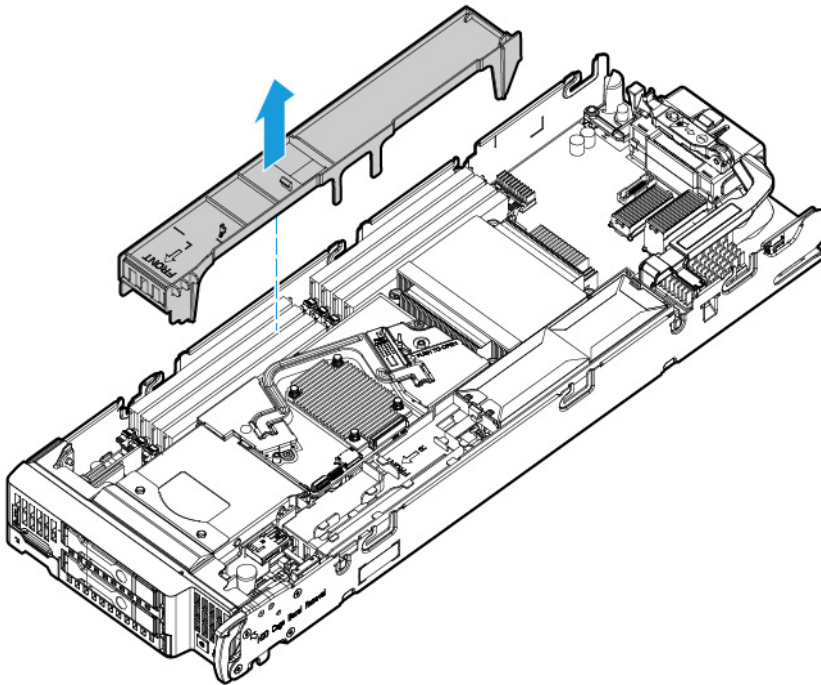
IMPORTANT: When removing the right DIMM baffle, leave the HP Smart Storage Battery installed on the baffle. Use the blue pull tab to disconnect the HP Smart Storage Battery cable from the system board.

7. Remove one or more DIMM baffles:

- DIMM baffle (right side)



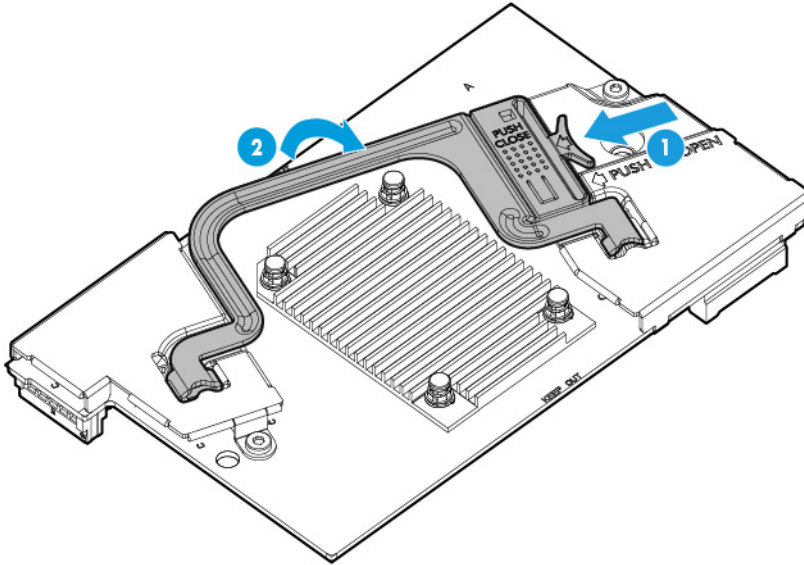
- DIMM baffle (left side)



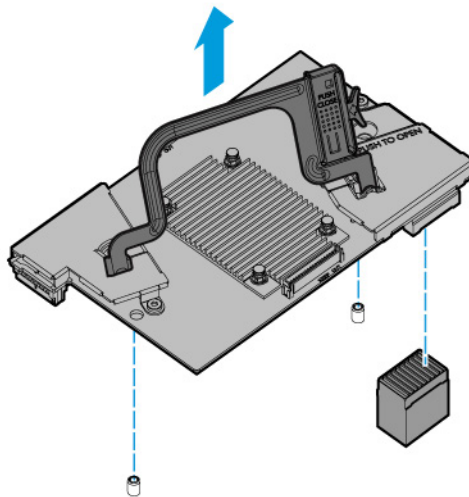
Remove the storage controller

1. Power down the server blade (on page 12).
2. Remove the server blade (on page 13).

3. Place the server blade on a flat, level work surface.
4. Remove the access panel (on page 14).
5. Prepare the storage controller for removal.




6. Remove the storage controller.



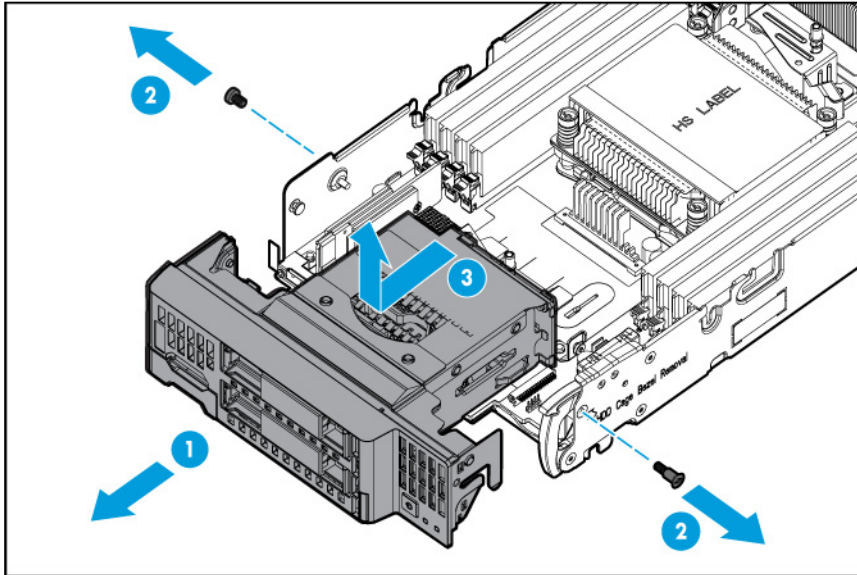
Remove the front panel/hard drive cage assembly

1. Power down the server blade (on page 12).
2. Remove the server blade (on page 13).
3. Place the server blade on a flat, level work surface.
4. Remove the access panel (on page 14).
5. Disconnect the direct connect SATA cable, if installed ("[Installing the direct connect SATA cable](#)" on page 47).

6. Remove the internal USB drive, if installed. To locate the internal USB connector, see "System board components (on page 9)."
7. Remove all DIMM baffles ("Remove the DIMM baffle" on page 14).
8. Remove the storage controller (on page 15).

 **CAUTION:** Always remove the SAS controller before removing the front panel/drive cage assembly.

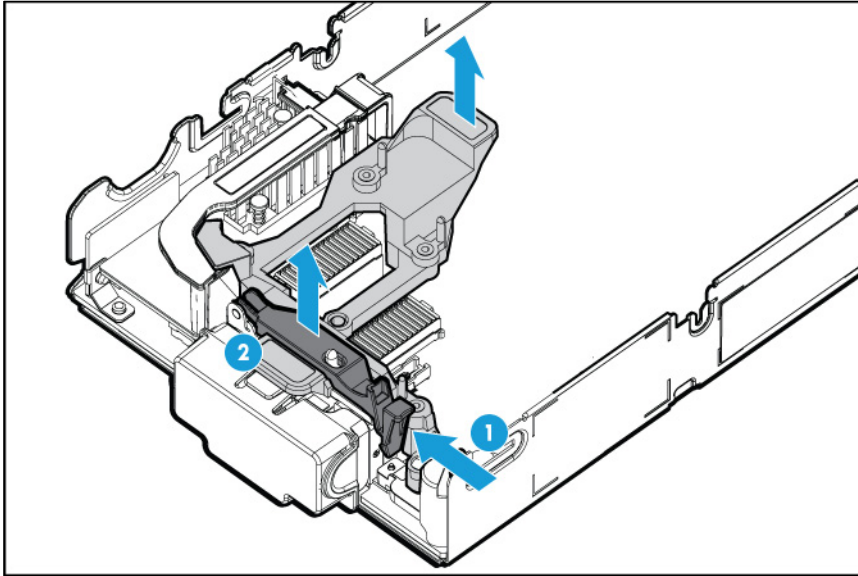
9. Extend the serial label pull tab from the front of the server blade.
10. Remove the two T-15 screws from the front panel/drive cage assembly.
11. Remove the front panel/drive cage assembly.



Remove the mezzanine assembly

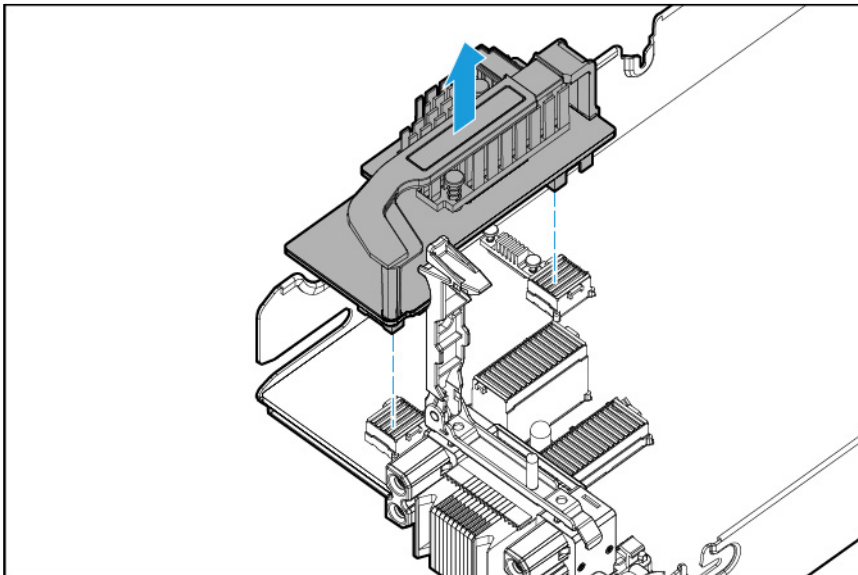
1. Power down the server blade (on page 12).
2. Remove the server blade (on page 13).
3. Place the server blade on a flat, level work surface.
4. Remove the access panel (on page 14).

5. Remove the mezzanine assembly.



Remove the FlexibleLOM

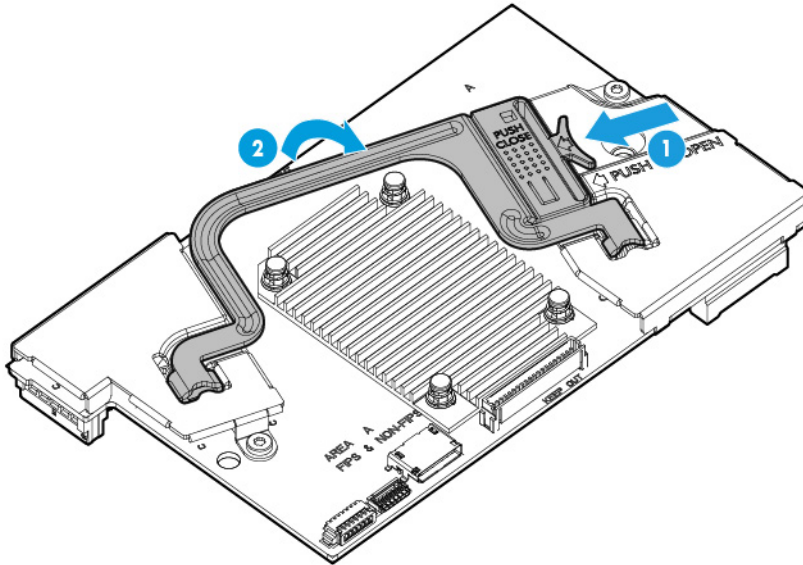
1. Power down the server blade (on page 12).
2. Remove the server blade (on page 13).
3. Place the server blade on a flat, level work surface.
4. Remove the access panel (on page 14).
5. Remove the mezzanine assembly (on page 17).
6. Use the FlexibleLOM handle to remove the FlexibleLOM from the system board.



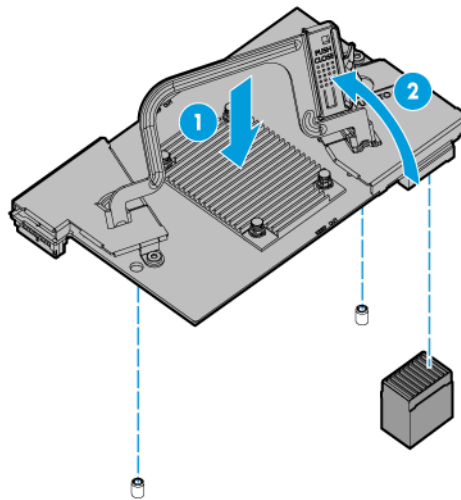
Install the storage controller

1. Power down the server blade (on page 12).

2. Remove the server blade (on page 13).
3. Place the server blade on a flat, level work surface.
4. Remove the access panel (on page 14).
5. Prepare the storage controller for installation.



6. Align the storage controller with the alignment pins and lower it into server blade.
7. Push the handle down into the closed position to fully seat the storage controller.



Install the access panel

1. Place the access panel on top of the server blade.
2. Slide the access panel forward until it clicks into place.

Setup

Overview

Installation of a server blade requires the following steps:

1. Install and configure an HP BladeSystem c-Class enclosure.
2. Install any server blade options.
3. Install interconnect modules in the enclosure.
4. Connect the interconnect modules to the network.
5. Install a server blade.
6. Complete the server blade configuration.

Installing an HP BladeSystem c-Class enclosure

Before performing any server blade-specific procedures, install an HP BladeSystem c-Class enclosure.

The most current documentation for server blades and other HP BladeSystem components is available at the HP website (<http://www.hp.com/support/BladeSystem/docs>).

Preparing the enclosure



CAUTION: Failure to install the divider in a quadrant when installing half-height blades can result in damage to the connectors on the server blades.



CAUTION: To prevent improper cooling and thermal damage, do not operate the server blade or the enclosure unless all drive and device bays are populated with either a component or a blank.



IMPORTANT: For optimal cooling and system performance, configure the c7000 enclosure with ten fans and configure the c3000 enclosure with six fans.

HP BladeSystem enclosures ship with device bay dividers to support half-height devices. If the dividers have been removed, always reinstall the dividers before installing half-height devices and device bay blanks. For more information on installing the device bay dividers, see the enclosure user guide.

Installing server blade options

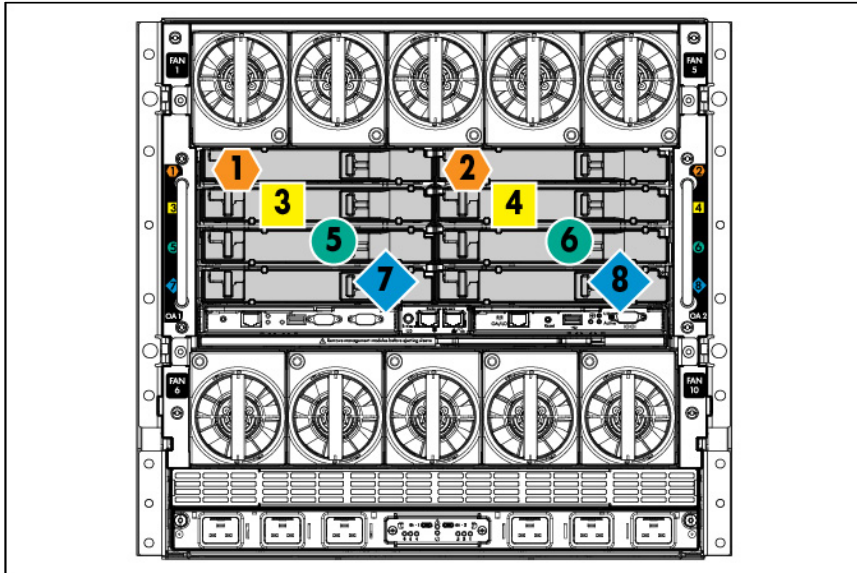
Before installing and initializing the server blade, install any server blade options, such as an additional processor, hard drive, or mezzanine card. For server blade options installation information, see "Hardware options installation (on page 25)."

Installing interconnect modules

For specific steps to install interconnect modules, see the documentation that ships with the interconnect module.

Interconnect bay numbering and device mapping

- HP BladeSystem c7000 Enclosure

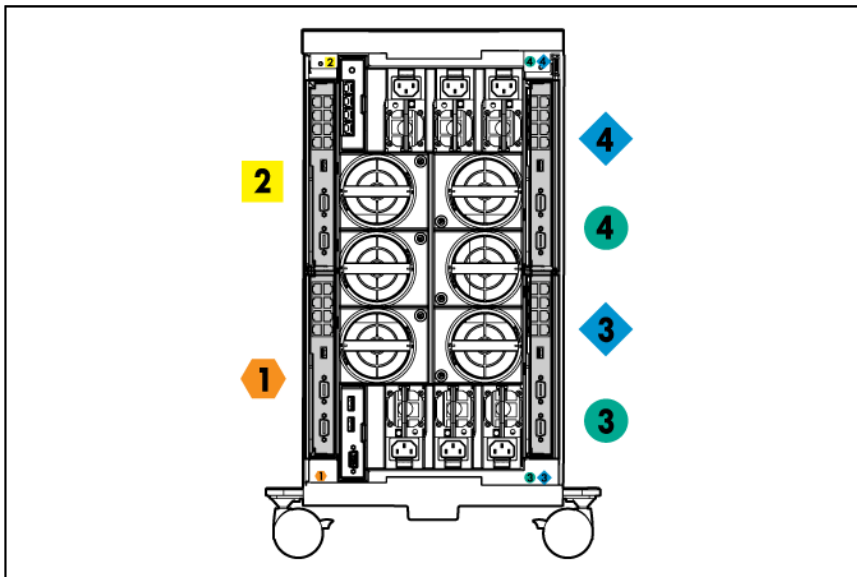
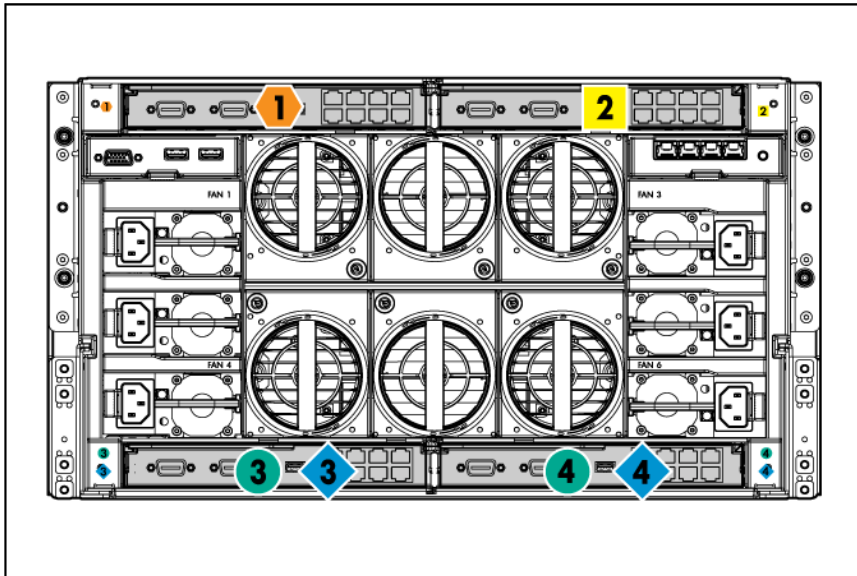


To support network connections for specific signals, install an interconnect module in the bay corresponding to the FlexibleLOM or mezzanine signals.

Server blade signal	Interconnect bay	Interconnect bay labels
FlexibleLOM	1 and 2	◆
Mezzanine 1	3 and 4	■
Mezzanine 2	5 and 6	●
	7 and 8	◆

For detailed port mapping information, see the HP BladeSystem enclosure installation poster or the HP BladeSystem enclosure setup and installation guide on the HP website (<http://www.hp.com/support/BladeSystem/docs>).

- HP BladeSystem c3000 Enclosure and Tower Enclosure



Server blade signal	Interconnect bay number	Interconnect bay label	Notes
FlexibleLOM	1	◆	—
Mezzanine 1	2	■	Four port cards connect to bay 2.
Mezzanine 2	3 and 4	● ◆	<ul style="list-style-type: none"> • Four port cards • Ports 1 and 3 connect to bay 3. • Ports 2 and 4 connect to bay 4.

Connecting to the network

To connect the HP BladeSystem to a network, each enclosure must be configured with network interconnect devices to manage signals between the server blades and the external network.

Two types of interconnect modules are available for HP BladeSystem c-Class enclosures: Pass-Thru modules and switch modules. For more information about interconnect module options, see the HP website (<http://www.hp.com/go/bladeSystem/interconnects>).



IMPORTANT: To connect to a network with a Pass-Thru module, always connect the Pass-Thru module to a network device that supports Gigabit or 10 Gb speed, depending on the corresponding Pass-Thru model.

Installing a server blade



CAUTION: To prevent improper cooling and thermal damage, do not operate the server blade enclosure unless all bays are populated with either a component or a blank.

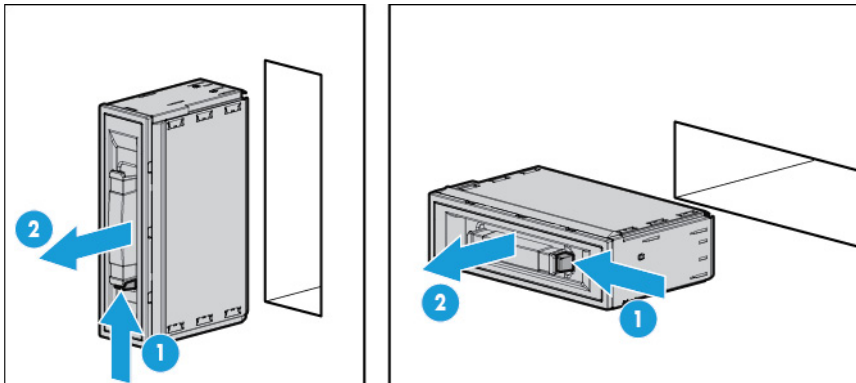


CAUTION: Failure to install the divider in a quadrant when installing half-height blades can result in damage to the connectors on the server blades.

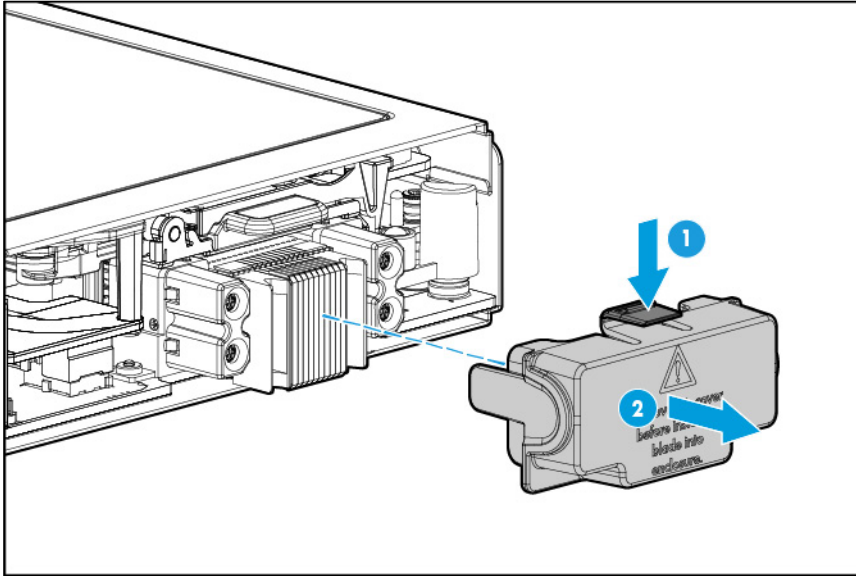
For the best possible HP BladeSystem and Virtual Connect experience, and to prevent a future reboot, HP requires updating the Onboard Administrator and Virtual Connect to the correct version before installing an HP ProLiant Gen9 server blade. The version information is located on the tag on the front of the server blade.

For more information on this and other specific firmware and driver requirements, as well as the latest firmware and driver versions, download the SPP on the HP website (<http://www.hp.com/go/spp/download>).

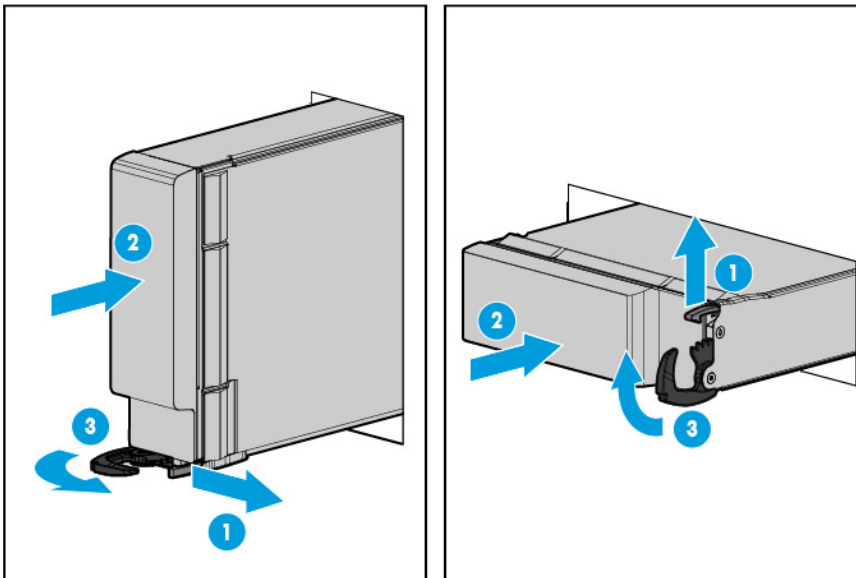
1. Remove the device bay blank.



2. Remove the enclosure connector cover.



3. Install the server blade.



Completing the configuration

To complete the server blade and HP BladeSystem configuration, see the overview card that ships with the enclosure.

Hardware options installation

Introduction

If more than one option is being installed, read the installation instructions for all the hardware options and identify similar steps to streamline the installation process.

⚠ WARNING: To reduce the risk of personal injury from hot surfaces, allow the drives and the internal system components to cool before touching them.

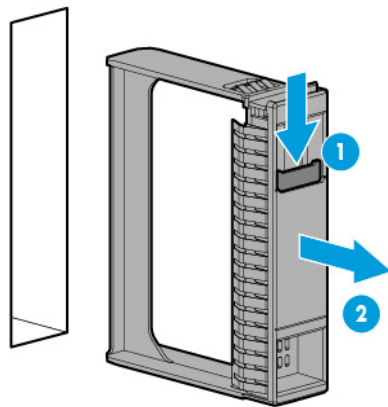
⚠ CAUTION: To prevent damage to electrical components, properly ground the server before beginning any installation procedure. Improper grounding can cause electrostatic discharge.

Drive option

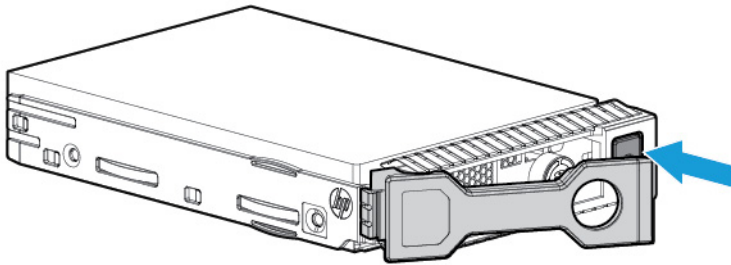
The server blade supports up to two SAS, SATA, or solid state drives.

⚠ CAUTION: To prevent improper cooling and thermal damage, do not operate the server blade or the enclosure unless all drive and device bays are populated with either a component or a blank.

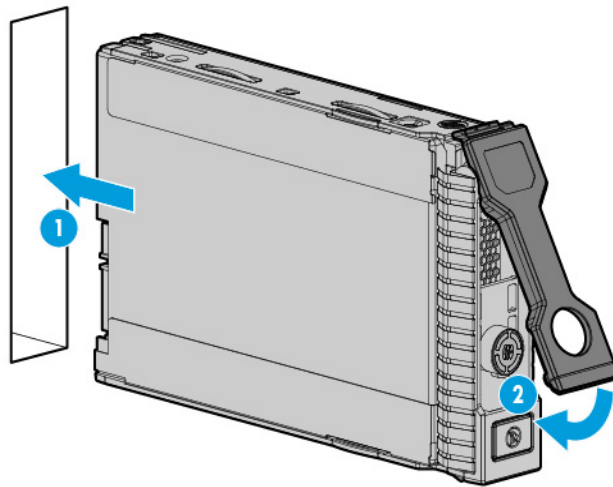
1. Remove the drive blank.



2. Prepare the drive.



3. Install the drive.



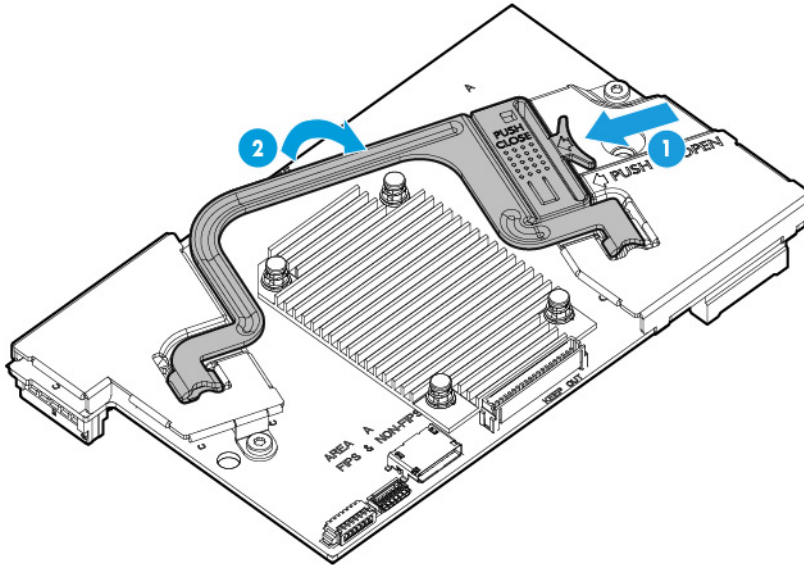
4. Determine the status of the drive from the drive LED definitions ("[Hot-plug drive LED definitions](#)" on page 8).

Storage controller option

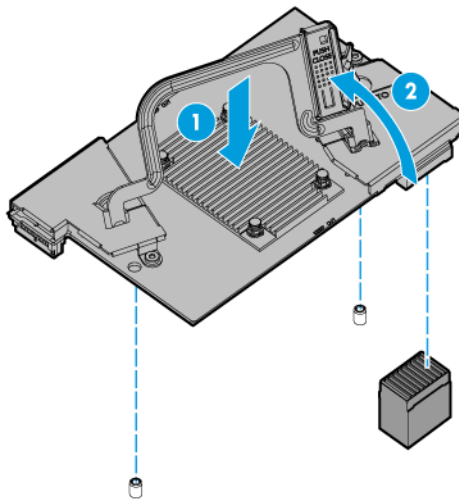
To install the component:

1. Back up all server blade data.
2. Power down the server blade (on page 12).
3. Remove the server blade (on page 13).
4. Place the server blade on a flat, level work surface.
5. Remove the access panel (on page 14).

6. Prepare the storage controller for installation.



7. Align the storage controller with the alignment pins and lower it into server blade.
8. Push the handle down into the closed position to fully seat the storage controller.



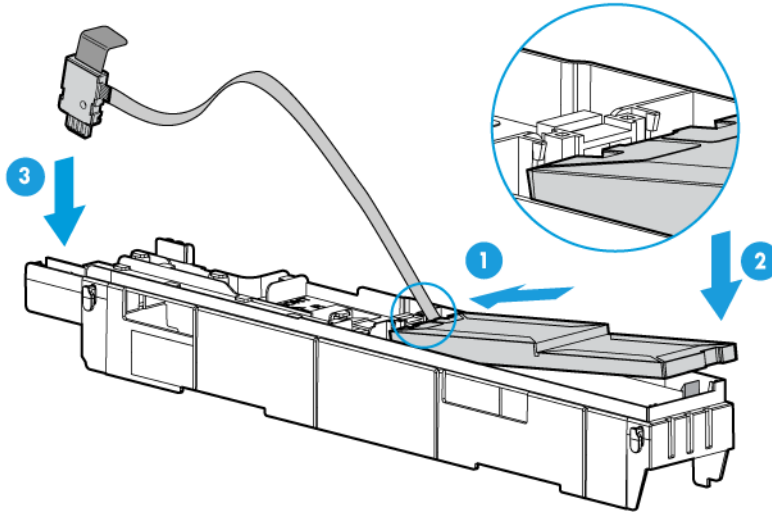
9. Install the access panel (on page 19).
10. Install the server blade ("Installing a server blade" on page 23).
11. Power up the server blade (on page 12).

HP Smart Storage Battery option

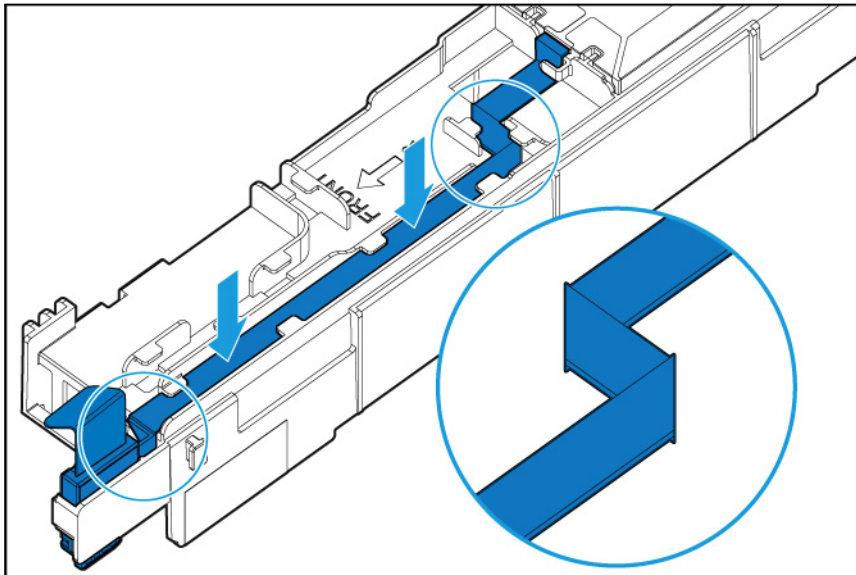
To install the component:

1. Power down the server blade (on page 12).
2. Remove the server blade (on page 13).
3. Place the server blade on a flat, level work surface.

4. Remove the access panel (on page 14).
5. Disconnect the direct connect SATA cable, if installed ("Installing the direct connect SATA cable" on page 47).
6. Remove the internal USB drive, if installed. To locate the internal USB connector, see "System board components (on page 9)."
7. Remove the right DIMM baffle ("Remove the DIMM baffle" on page 14).
8. Install the HP Smart Storage Battery on the DIMM baffle.

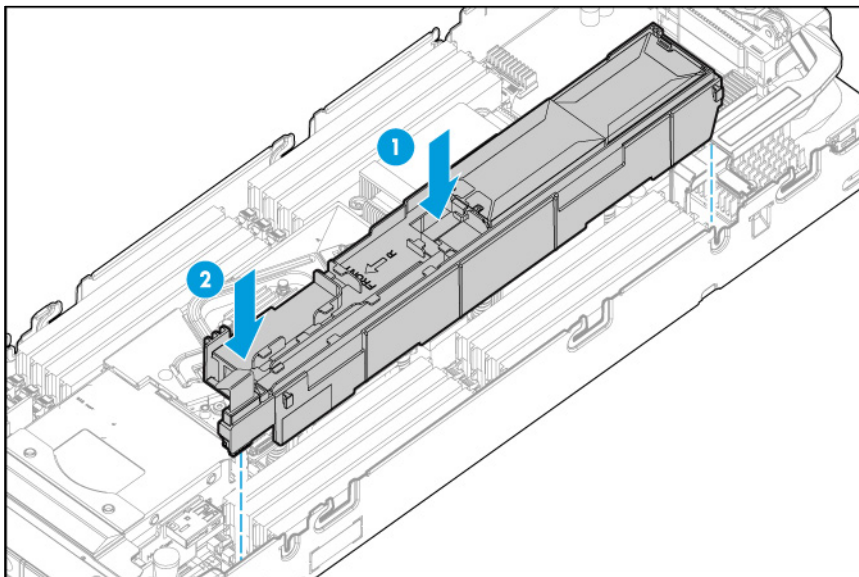


9. Route the cable on the DIMM baffle.



10. Align and install the DIMM baffle.

11. Press down on the cable connector to fully seat the HP Smart Storage Battery cable connector to the system board.



12. Route and connect the direct connect SATA cable, if installed ("[Installing the direct connect SATA cable](#)" on page 47).
13. Install the access panel (on page 19).
14. Install the server blade ("[Installing a server blade](#)" on page 23).
15. Power up the server blade (on page 12).

Mezzanine card option

Optional mezzanine cards are classified as Type A mezzanine cards and Type B mezzanine cards. The type of the mezzanine card determines where it can be installed in the server blade.

- Install Type A mezzanine cards on Mezzanine 1 connector or Mezzanine 2 connector.
- Install Type B mezzanine cards on Mezzanine 2 connector.

Optional mezzanine cards enable network connectivity or provide Fibre Channel support. For mezzanine card locations, see "[System board components](#) (on page 9)."

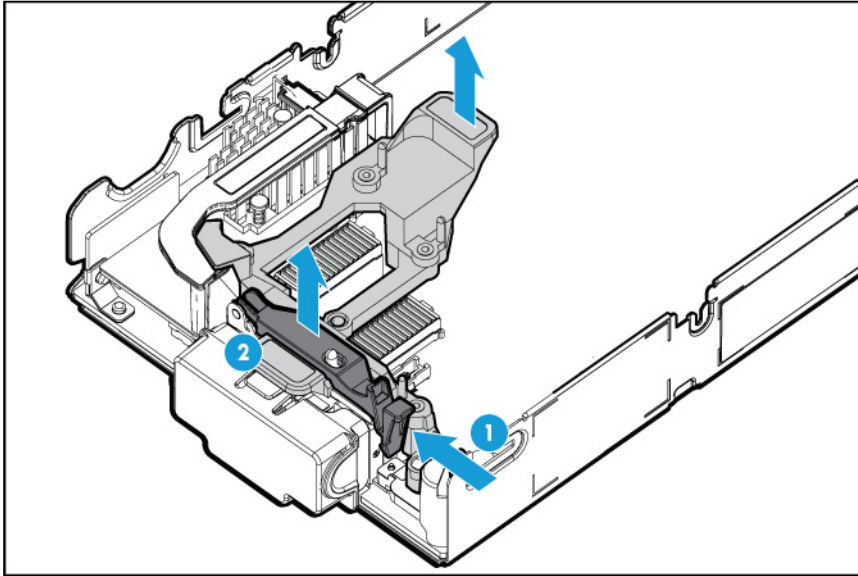
When installing a mezzanine option on mezzanine connector 2, processor 2 must be installed.

For mezzanine card mapping, see "[Interconnect bay numbering and device mapping](#) (on page 21)."

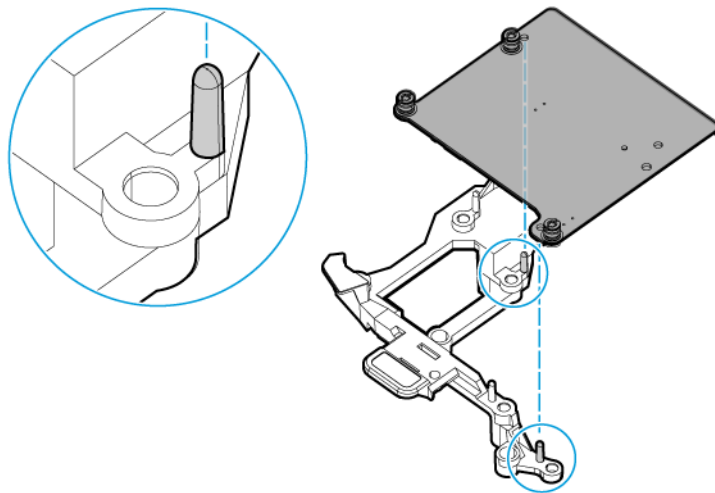
To install the component:

1. Power down the server blade (on page 12).
2. Remove the server blade (on page 13).
3. Place the server blade on a flat, level work surface.
4. Remove the access panel (on page 14).

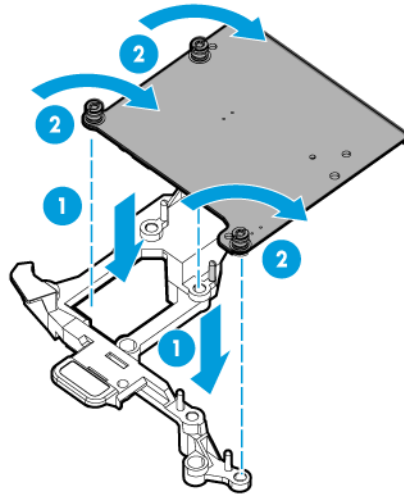
5. Remove the mezzanine assembly.



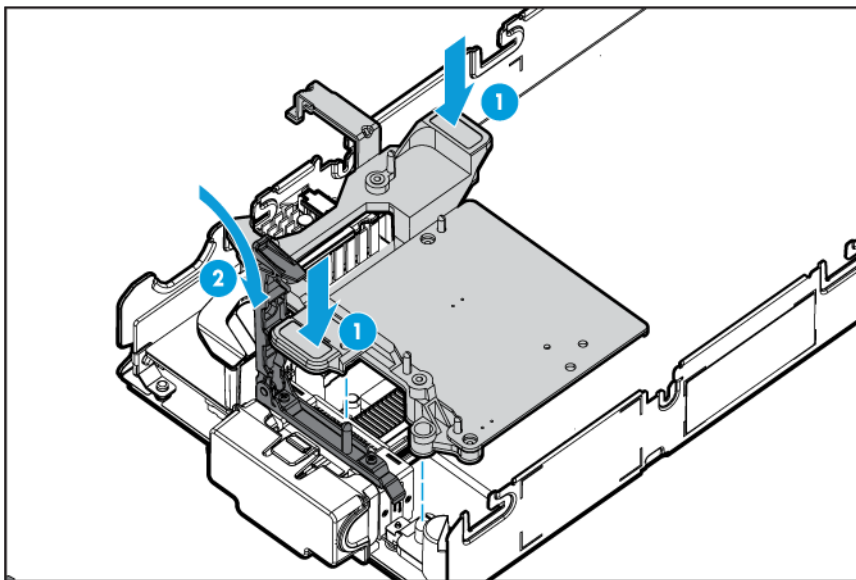
6. Align the mezzanine card with the guide pins on the mezzanine assembly.



7. Install the mezzanine card in the mezzanine assembly, and then tighten the mezzanine card screws to secure the card to the mezzanine assembly.



8. Align the mezzanine assembly with the guide pins on the system board, and then install the mezzanine assembly on the system board.
9. Press down firmly on the mezzanine assembly handles, and then close the mezzanine assembly latch.



10. Install the access panel (on page 19).
11. Install the server blade ("Installing a server blade" on page 23).
12. Power up the server blade (on page 12).

Memory options



IMPORTANT: This server blade does not support mixing LRDIMMs or RDIMMs. Attempting to mix any combination of these DIMMs can cause the server to halt during BIOS initialization.

The memory subsystem in this server blade can support LRDIMMs and RDIMMs:

- RDIMMs offer address parity protection.
- LRDIMMs support higher densities than single- and dual-rank RDIMMs, and higher speeds than quad-rank RDIMMs. This support enables you to install more high capacity DIMMs, resulting in higher system capacities and higher bandwidth.

All types are referred to as DIMMs when the information applies to all types. When specified as LRDIMM or RDIMM, the information applies to that type only. All memory installed in the server blade must be the same type.

The server supports the following DIMM speeds:

- Single- and dual-rank PC4-2133 (DDR4-2133) RDIMMs operating at up to 2133 MT/s
- Quad-rank PC4L-2133 (DDR4-2133) LRDIMMs operating at up to 2133 MT/s

Speed and capacity

DIMM type	DIMM rank	DIMM capacity	Native speed (MT/s)
RDIMM	Single-rank	8 GB	2133
RDIMM	Dual-rank	16 GB	2133
LRDIMM	Quad-rank	32 GB	2133

Depending on the processor model, the number of DIMMs installed, and whether LRDIMMs or RDIMMs are installed, the memory clock speed can be reduced to 1600 MT/s.

Populated DIMM speed (MT/s)

DIMM type	DIMM rank	1 DIMM per channel	2 DIMMs per channel
RDIMM	Single-rank (8 GB)	2133	2133
RDIMM	Dual-rank (16 GB)	2133	2133
LRDIMM	Quad-rank (32 GB)	2133	2133

HP SmartMemory

HP SmartMemory authenticates and unlocks certain features available only on HP Qualified memory and verifies whether installed memory has passed HP qualification and test processes. Qualified memory is performance-tuned for HP ProLiant and BladeSystem servers and provides future enhanced support through HP Active Health and manageability software.

Memory subsystem architecture

The memory subsystem in this server blade is divided into channels. Each processor supports four channels, and each channel supports two DIMM slots, as shown in the following table.

Channel	Slot	Slot number
1	A	1
	E	2
2	B	3
	F	4
3	C	8
	G	7

Channel	Slot	Slot number
4	D	6
	H	5

For the location of the slot numbers, see "DIMM slot locations (on page 10)."

This multi-channel architecture provides enhanced performance in Advanced ECC mode.

DIMM slots in this server blade are identified by number and by letter. Letters identify the population order. Slot numbers indicate the DIMM slot ID for spare replacement.

Single-, dual-, and quad-rank DIMMs

To understand and configure memory protection modes properly, an understanding of single-, dual-, and quad-rank DIMMs is helpful. Some DIMM configuration requirements are based on these classifications.

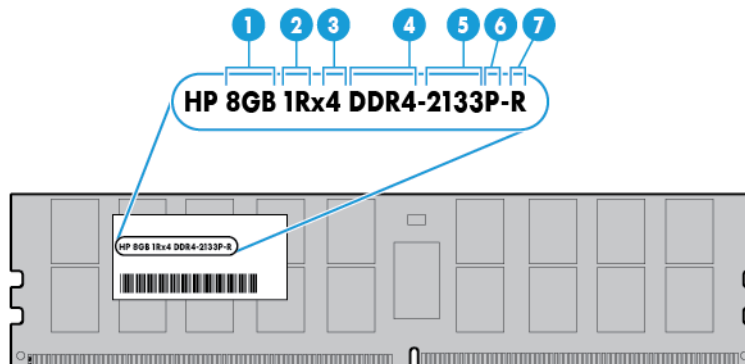
A single-rank DIMM has one set of memory chips that is accessed while writing to or reading from the memory. A dual-rank DIMM is similar to having two single-rank DIMMs on the same module, with only one rank accessible at a time. A quad-rank DIMM is, effectively, two dual-rank DIMMs on the same module. Only one rank is accessible at a time. The server blade memory control subsystem selects the proper rank within the DIMM when writing to or reading from the DIMM.

Dual- and quad-rank DIMMs provide the greatest capacity with the existing memory technology. For example, if current DRAM technology supports 8-GB single-rank DIMMs, a dual-rank DIMM would be 16 GB, and a quad-rank DIMM would be 32 GB.

LRDIMMs are labeled as quad-rank DIMMs. There are four ranks of DRAM on the DIMM, but the LRDIMM buffer creates an abstraction that allows the DIMM to appear as a dual-rank DIMM to the system. The LRDIMM buffer isolates the electrical loading of the DRAM from the system to allow for faster operation. This allows higher memory operating speed compared to quad-rank RDIMMs.

DIMM identification

To determine DIMM characteristics, use the label attached to the DIMM and the following illustration and table.



Item	Description	Definition
1	Capacity	8 GB 16 GB

Item	Description	Definition
		32 GB
2	Rank	1R = Single-rank 2R = Dual-rank 4R = Quad-rank
3	Data width	x4 = 4-bit x8 = 8-bit
4	Memory generation	DDR4
5	Maximum memory speed	2133 MT/s
6	CAS latency	P=15
7	DIMM type	R = RDIMM (registered) L = LRDIMM (load reduced)

For more information about product features, specifications, options, configurations, and compatibility, see the product QuickSpecs on the HP website (<http://www.hp.com/go/qs>).

Memory configurations

To optimize server blade availability, the server blade supports the following AMP modes:

- **Advanced ECC**—Provides up to 4-bit error correction and enhanced performance over Lockstep mode. This mode is the default option for this server blade.
- **Online spare memory**—Provides protection against failing or degraded DIMMs. Certain memory is reserved as spare, and automatic failover to spare memory occurs when the system detects a DIMM that is degrading. This allows DIMMs that have a higher probability of receiving an uncorrectable memory error (which would result in system downtime) to be removed from operation.

Advanced Memory Protection options are configured in the BIOS/Platform Configuration (RBSU). If the requested AMP mode is not supported by the installed DIMM configuration, the server blade boots in Advanced ECC mode. For more information, see the *HP UEFI System Utilities User Guide for HP ProLiant Gen9 Servers* on the HP website (<http://www.hp.com/go/uefi/docs>).

Maximum capacity

DIMM type	DIMM rank	One processor	Two processors
RDIMM	Single-rank (8 GB)	64 GB	128 GB
RDIMM	Dual-rank (16 GB)	128 GB	256 GB
LRDIMM	Quad-rank (32 GB)	256 GB	512 GB

For the latest memory configuration information, see the QuickSpecs on the HP website (<http://www.hp.com/go/qs>).

Advanced ECC memory configuration

Advanced ECC memory is the default memory protection mode for this server blade. Standard ECC can correct single-bit memory errors and detect multi-bit memory errors. When multi-bit errors are detected using Standard ECC, the error is signaled to the server blade and causes the server blade to halt.

Advanced ECC protects the server blade against some multi-bit memory errors. Advanced ECC can correct both single-bit memory errors and 4-bit memory errors if all failed bits are on the same DRAM device on the DIMM.

Advanced ECC provides additional protection over Standard ECC because it is possible to correct certain memory errors that would otherwise be uncorrected and result in a server blade failure. Using HP Advanced Memory Error Detection technology, the server blade provides notification when a DIMM is degrading and has a higher probability of uncorrectable memory error.

Online Spare memory configuration

Online spare memory provides protection against degraded DIMMs by reducing the likelihood of uncorrected memory errors. This protection is available without any operating system support.

Online spare memory protection dedicates one rank of each memory channel for use as spare memory. The remaining ranks are available for OS and application use. If correctable memory errors occur at a rate higher than a specific threshold on any of the non-spare ranks, the server blade automatically copies the memory contents of the degraded rank to the online spare rank. The server blade then deactivates the failing rank and automatically switches over to the online spare rank.

General DIMM slot population guidelines

Observe the following guidelines for all AMP modes:

- Install DIMMs only if the corresponding processor is installed.
- When two processors are installed, balance the DIMMs across the two processors.
- White DIMM slots denote the first slot of a channel (Ch 1-A, Ch 2-B, Ch 3-C, Ch 4-D)
- Do not mix RDIMMs and LRDIMMs.
- When one processor is installed, install DIMMs in sequential alphabetic order: A, B, C, D, E, F, and so forth.
- When two processors are installed, install the DIMMs in sequential alphabetic order balanced between the two processors: P1-A, P2-A, P1-B, P2-B, P1-C, P2-C, and so forth.
- For DIMM spare replacement, install the DIMMs per slot number as instructed by the system software.

For more information about server blade memory, see the HP website (<http://www.hp.com/go/memory>).

DIMM speeds are supported as indicated in the following table.

Populated slots (per channel)	Rank	Speeds supported (MT/s)
1, 2	Single or dual	2133
1, 2	Quad	2133

Advanced ECC population guidelines

For Advanced ECC mode configurations, observe the following guidelines:

- Observe the general DIMM slot population guidelines (on page 35).
- DIMMs may be installed individually.

Online spare population guidelines

For Online Spare memory mode configurations, observe the following guidelines:

- Observe the general DIMM slot population guidelines (on page 35).
- Each channel must have a valid online spare configuration.
- Each channel can have a different valid online spare configuration.
- Each populated channel must have a spare rank. A single dual-rank DIMM is not a valid configuration.

Population order

For memory configurations with a single processor or multiple processors, populate the DIMM slots in the following order:

- LRDIMM: Sequentially in alphabetical order (A through H)
- RDIMM: Sequentially in alphabetical order (A through H)

After installing the DIMMs, use HP UEFI System Utilities (on page 57) to configure supported AMP modes.

Installing a DIMM



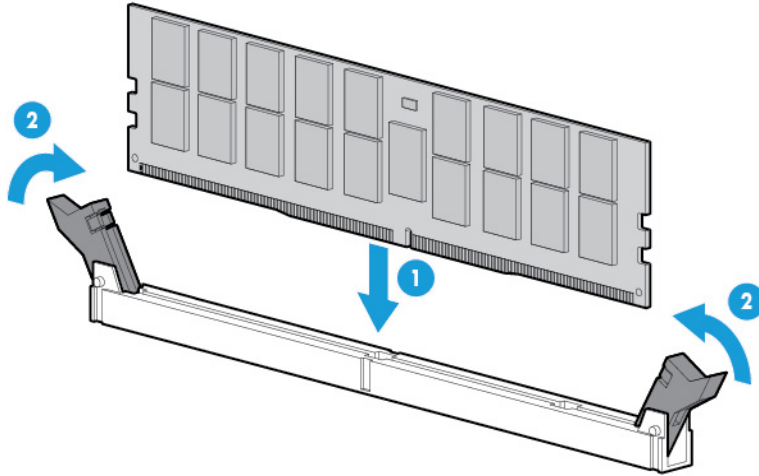
CAUTION: To avoid damage to the hard drives, memory, and other system components, the air baffle, drive blanks, and access panel must be installed when the server is powered up.



CAUTION: To avoid damage to the hard drives, memory, and other system components, be sure to install the correct DIMM baffles for your server model.

1. Power down the server blade (on page 12).
2. Remove the server blade (on page 13).
3. Place the server blade on a flat, level work surface.
4. Remove the access panel (on page 14).
5. If installing processor 1 DIMMs, remove the mezzanine assembly ("[Remove the mezzanine assembly](#)" on page 17).
6. If installing processor 1 DIMMs number 5-8, remove the FlexibleLOM.
7. If DIMM installation requires removing the right DIMM baffle, disconnect the direct connect SATA cable, if installed ("[Installing the direct connect SATA cable](#)" on page 47).
8. Remove the internal USB drive, if installed. To locate the internal USB connector, see "System board components (on page 9)." This applies only when removing the right DIMM baffle.
9. Remove the appropriate DIMM baffle ("[Remove the DIMM baffle](#)" on page 14).

10. Install the DIMM.



11. Route and connect the direct connect SATA cable, if installed ("[Installing the direct connect SATA cable](#)" on page 47).
12. Install all DIMM baffles.
13. Install the FlexibleLOM.
14. Install the mezzanine assembly.
15. Install the access panel (on page 19).
16. Install the server blade ("[Installing a server blade](#)" on page 23).
17. Power up the server blade (on page 12).

To configure the memory mode, use HP UEFI System Utilities (on page 57).

Processor option



WARNING: To reduce the risk of personal injury from hot surfaces, allow the drives and the internal system components to cool before touching them.



CAUTION: To prevent possible server blade malfunction and damage to the equipment, multiprocessor configurations must contain processors with the same part number.



CAUTION: The heatsink thermal interface media is not reusable and must be replaced if the heatsink is removed from the processor after it has been installed.



CAUTION: To prevent possible server blade overheating, always populate processor socket 2 with a processor and a heatsink or a processor socket cover and a heatsink blank.



CAUTION: To prevent damage to electrical components, properly ground the server blade before beginning any installation procedure. Improper grounding can cause ESD.



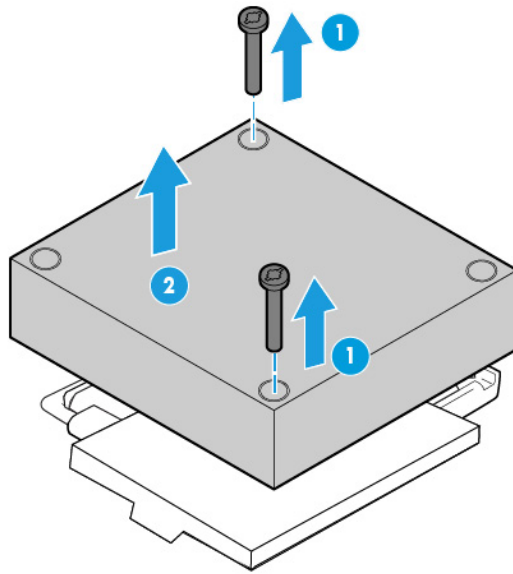
IMPORTANT: Processor socket 1 must be populated at all times or the server blade does not function.

To install a processor:

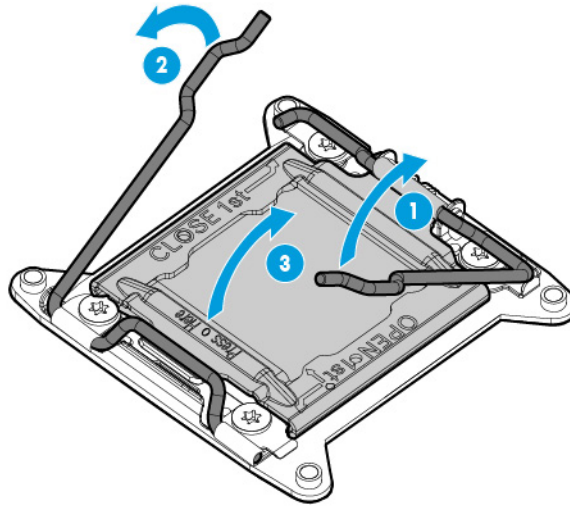
1. Update the system ROM.

Locate and download the latest ROM version from the HP website (<http://www.hp.com/support>). Follow the instructions on the website to update the system ROM.

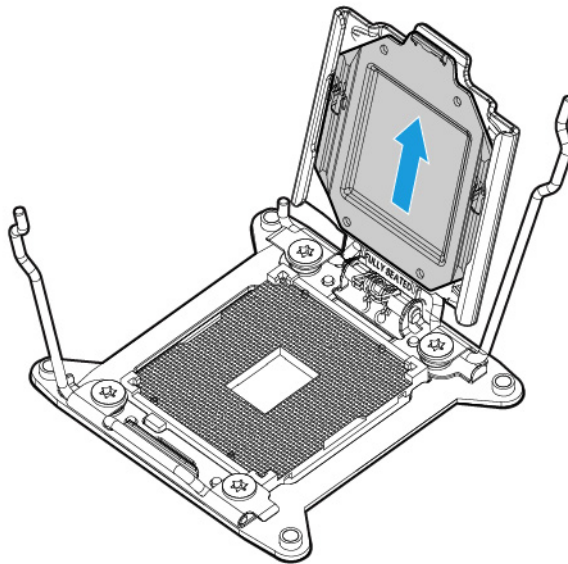
2. Power down the server blade (on page 12).
3. Remove the server blade (on page 13).
4. Place the server blade on a flat, level work surface.
5. Remove the access panel (on page 14).
6. Remove the storage controller (on page 15).
7. Access the processor socket. See "System board components (on page 9)."
8. Remove the heatsink blank. A No. 2 Phillips screwdriver is required to remove this component. Retain the heatsink blank for future use.



9. Open each of the processor locking levers in the order indicated in the following illustration, and then open the processor retaining bracket.

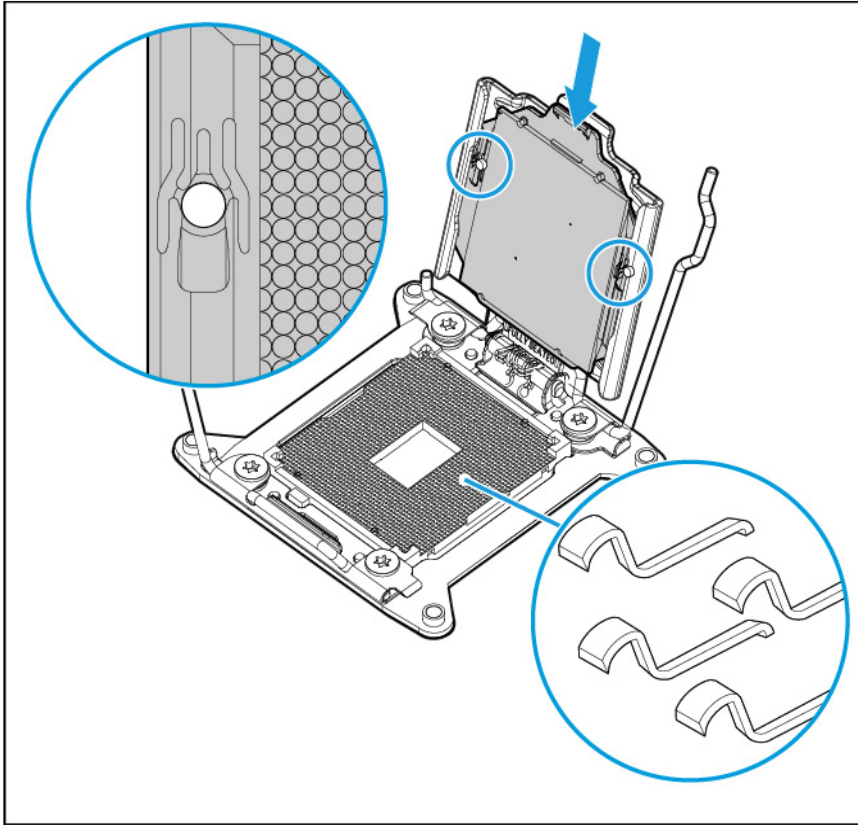


10. Remove the clear processor socket cover. Retain the processor socket cover for future use.



CAUTION: THE PINS ON THE SYSTEM BOARD ARE VERY FRAGILE AND EASILY DAMAGED. To avoid damage to the system board, do not touch the processor or the processor socket contacts.

11. Install the processor. Verify that the processor is fully seated in the processor retaining bracket by visually inspecting the processor installation guides on either side of the processor. **THE PINS ON THE SYSTEM BOARD ARE VERY FRAGILE AND EASILY DAMAGED.**



12. Close the processor retaining bracket. When the processor is installed properly inside the processor retaining bracket, the processor retaining bracket clears the flange on the front of the socket.

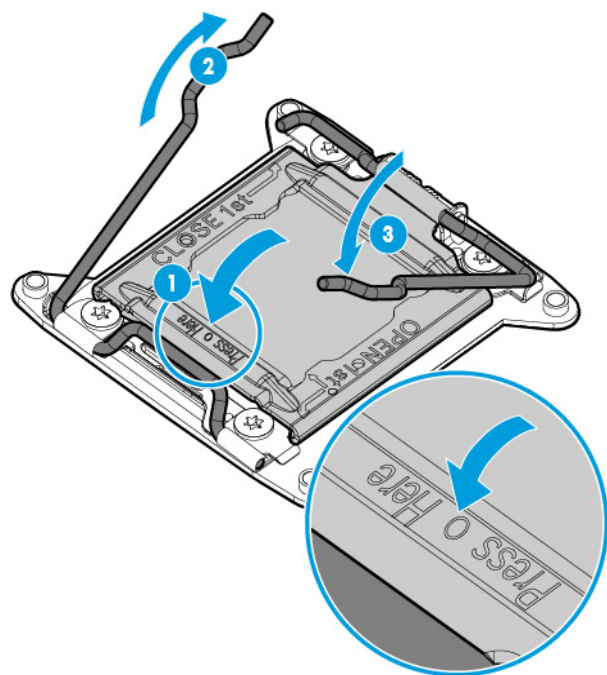


CAUTION: Do not press down on the processor. Pressing down on the processor may cause damage to the processor socket and the system board. Press only in the area indicated on the processor retaining bracket.

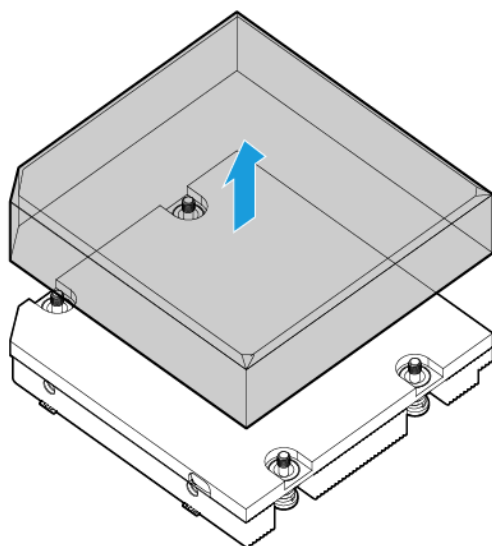


CAUTION: Close and hold down the processor cover socket while closing the processor locking levers. The levers should close without resistance. Forcing the levers closed can damage the processor and socket, requiring system board replacement.

13. Press and hold the processor retaining bracket in place, and then close each processor locking lever. Press only in the area indicated on the processor retaining bracket.

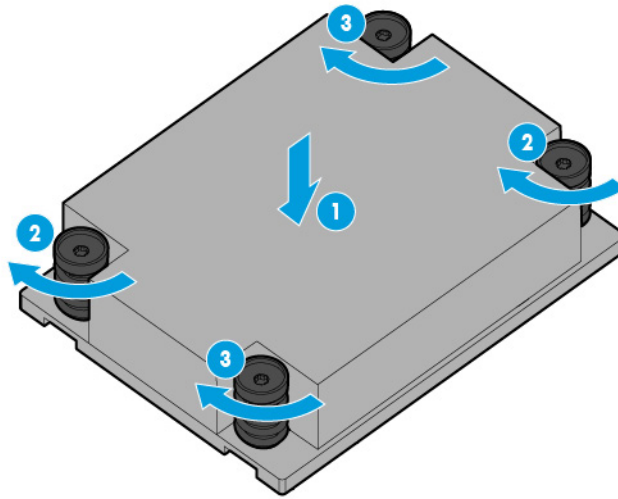


14. Remove the thermal interface protective cover from the heatsink.



CAUTION: To avoid damage to the system board, processor socket, and screws, do not overtighten the heatsink screws.

- Using a T-15 screwdriver, install the heatsink.



- Install the storage controller (on page 18).
- Install the access panel (on page 19).
- Install the server blade ("Installing a server blade" on page 23).
- Power up the server blade (on page 12).

HP Trusted Platform Module option

For more information about product features, specifications, options, configurations, and compatibility, see the product QuickSpecs on the HP website (<http://www.hp.com/go/qs>).

Use these instructions to install and enable a TPM on a supported server blade. This procedure includes three sections:

- Installing the Trusted Platform Module board (on page 43).
- Retaining the recovery key/password (on page 45).
- Enabling the Trusted Platform Module (on page 45).

Enabling the TPM requires accessing BIOS/Platform Configuration (RBSU) in HP UEFI System Utilities (on page 57).

TPM installation requires the use of drive encryption technology, such as the Microsoft Windows BitLocker Drive Encryption feature. For more information on BitLocker, see the Microsoft website (<http://www.microsoft.com>).



CAUTION: Always observe the guidelines in this document. Failure to follow these guidelines can cause hardware damage or halt data access.

When installing or replacing a TPM, observe the following guidelines:

- Do not remove an installed TPM. Once installed, the TPM becomes a permanent part of the system board.
- When installing or replacing hardware, HP service providers cannot enable the TPM or the encryption technology. For security reasons, only the customer can enable these features.

- When returning a system board for service replacement, do not remove the TPM from the system board. When requested, HP Service provides a TPM with the spare system board.
- Any attempt to remove an installed TPM from the system board breaks or disfigures the TPM security rivet. Upon locating a broken or disfigured rivet on an installed TPM, administrators should consider the system compromised and take appropriate measures to ensure the integrity of the system data.
- When using BitLocker, always retain the recovery key/password. The recovery key/password is required to enter Recovery Mode after BitLocker detects a possible compromise of system integrity.
- HP is not liable for blocked data access caused by improper TPM use. For operating instructions, see the encryption technology feature documentation provided by the operating system.

Installing the Trusted Platform Module board



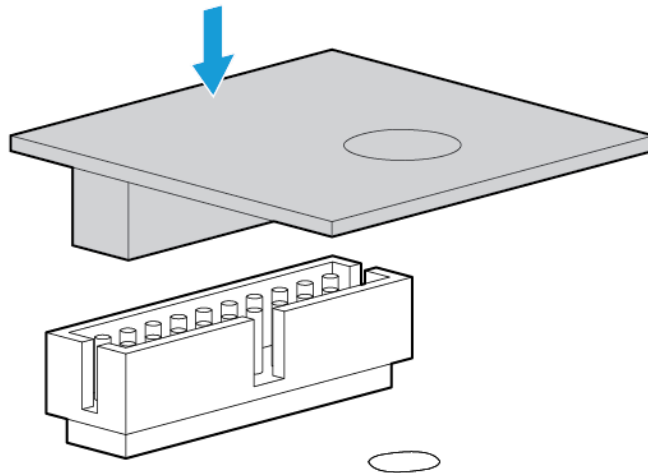
WARNING: To reduce the risk of personal injury from hot surfaces, allow the drives and the internal system components to cool before touching them.

1. Power down the server blade (on page 12).
2. Remove the server blade (on page 13).
3. Place the server blade on a flat, level work surface.
4. Remove the access panel (on page 14).
5. Disconnect the direct connect SATA cable, if installed ("[Installing the direct connect SATA cable](#)" on page 47).
6. Remove the internal USB drive, if installed. To locate the internal USB connector, see "System board components (on page 9)."
7. Remove the DIMM baffle (on page 14).
8. Remove the storage controller (on page 15).
9. Remove the front panel/drive cage assembly ("[Remove the front panel/hard drive cage assembly](#)" on page 16).
10. Locate the TPM connector ("[System board components](#)" on page 9).

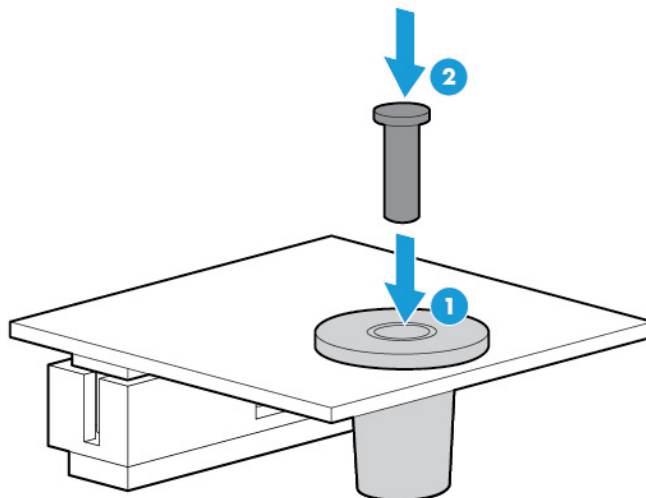


CAUTION: Any attempt to remove an installed TPM from the system board breaks or disfigures the TPM security rivet. Upon locating a broken or disfigured rivet on an installed TPM, administrators should consider the system compromised and take appropriate measures to ensure the integrity of the system data.

11. Install the TPM board. Press down on the connector to seat the board ("[System board components](#)" on page 9).



12. Install the TPM security rivet by pressing the rivet firmly into the system board.



13. Install the front panel/drive cage assembly.
14. Install the storage controller (on page 18).
15. Install the DIMM baffle.
16. Route and connect the direct connect SATA cable, if installed ("[Installing the direct connect SATA cable](#)" on page 47).
17. Install the USB drive, if removed.
18. Install the access panel (on page 19).
19. Install the server blade ("[Installing a server blade](#)" on page 23).
20. Power up the server blade (on page 12).

Retaining the recovery key/password

The recovery key/password is generated during BitLocker setup, and can be saved and printed after BitLocker is enabled. When using BitLocker, always retain the recovery key/password. The recovery key/password is required to enter Recovery Mode after BitLocker detects a possible compromise of system integrity.

To help ensure maximum security, observe the following guidelines when retaining the recovery key/password:

- Always store the recovery key/password in multiple locations.
- Always store copies of the recovery key/password away from the server blade.
- Do not save the recovery key/password on the encrypted hard drive.

Enabling the Trusted Platform Module

1. During the server blade startup sequence, press the **F9** key to access System Utilities.
2. From the System Utilities screen, select **System Configuration > BIOS/Platform Configuration (RBSU) > Server Security**.
3. Select **Trusted Platform Module Options** and press the **Enter** key.
4. Select **Enabled** to enable the TPM and BIOS secure startup. The TPM is fully functional in this mode.
5. Press the **F10** key to save your selection.
6. When prompted to save the change in System Utilities, press the **Y** key.
7. Press the **ESC** key to exit System Utilities. Then, press the **Enter** key when prompted to reboot the server blade.

The server blade then reboots a second time without user input. During this reboot, the TPM setting becomes effective.

You can now enable TPM functionality in the OS, such as Microsoft Windows BitLocker or measured boot.



CAUTION: When a TPM is installed and enabled on the server blade, data access is locked if you fail to follow the proper procedures for updating the system or option firmware, replacing the system board, replacing a hard drive, or modifying OS application TPM settings.

For more information on firmware updates and hardware procedures, see the *HP Trusted Platform Module Best Practices White Paper* on the HP website (<http://www.hp.com/support>).

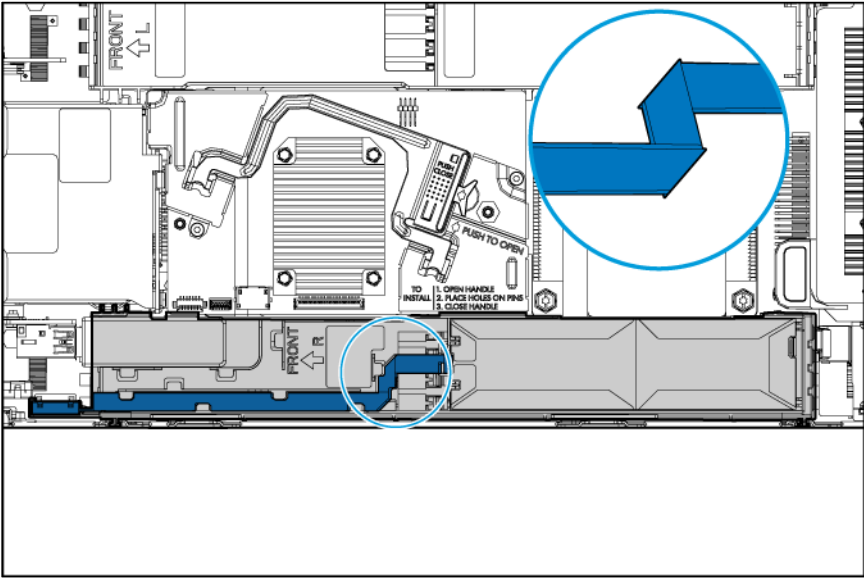
For more information on adjusting TPM usage in BitLocker, see the Microsoft website (<http://technet.microsoft.com/en-us/library/cc732774.aspx>).

Cabling

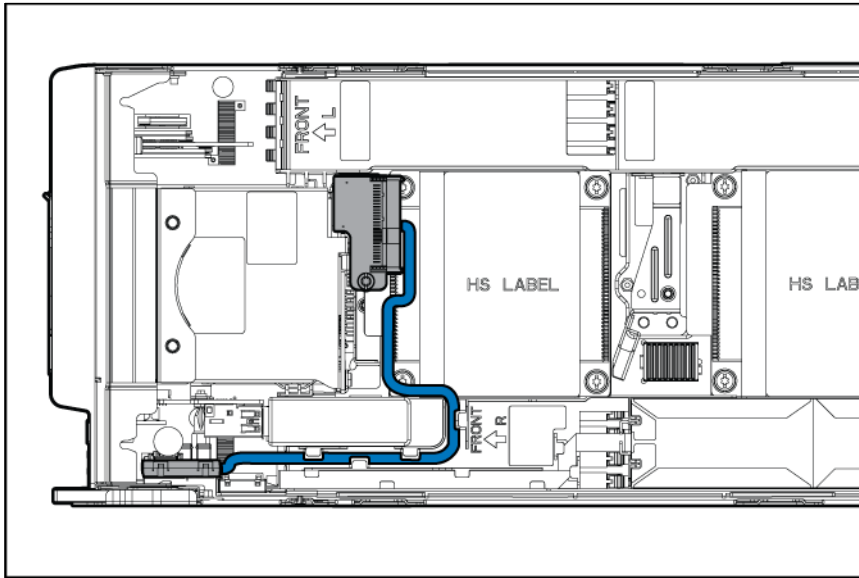
Cabling resources

Cabling configurations and requirements vary depending on the product and installed options. For more information about product features, specifications, options, configurations, and compatibility, see the product QuickSpecs on the HP website (<http://www.hp.com/go/qs>).

HP Smart Storage Battery cabling



Installing the direct connect SATA cable



Using the HP c-Class Blade SUV Cable

The HP c-Class Blade SUV Cable enables the user to perform server blade administration, configuration, and diagnostic procedures by connecting video and USB devices directly to the server blade. For SUV cable connectors, see "SUV cable connectors (on page 11)."

Connecting locally to a server blade with video and USB devices

Use the SUV cable to connect a monitor and any of the following USB devices:

- USB hub
- USB keyboard
- USB mouse
- USB CD/DVD-ROM drive

Numerous configurations are possible. This section offers two possible configurations. For more information, see "USB support (on page 61)."

Accessing a server blade with local KVM

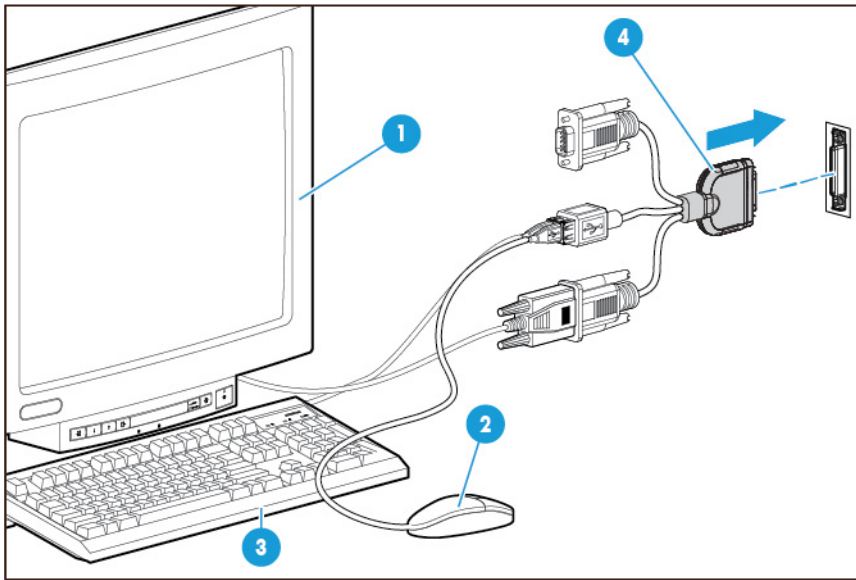
For this configuration, a USB hub is not necessary. To connect additional devices, use a USB hub.



CAUTION: Before disconnecting the SUV cable from the connector, always squeeze the release buttons on the sides of the connector. Failure to do so can result in damage to the equipment.

1. Open the serial label pull tab and connect the HP c-Class Blade SUV Cable to the server blade.
2. Connect the video connector to a monitor.

3. Connect a USB mouse to one USB connector.
4. Connect a USB keyboard to the second USB connector.



Item	Description
1	Monitor
2	USB mouse
3	USB keyboard
4	HP c-Class Blade SUV Cable

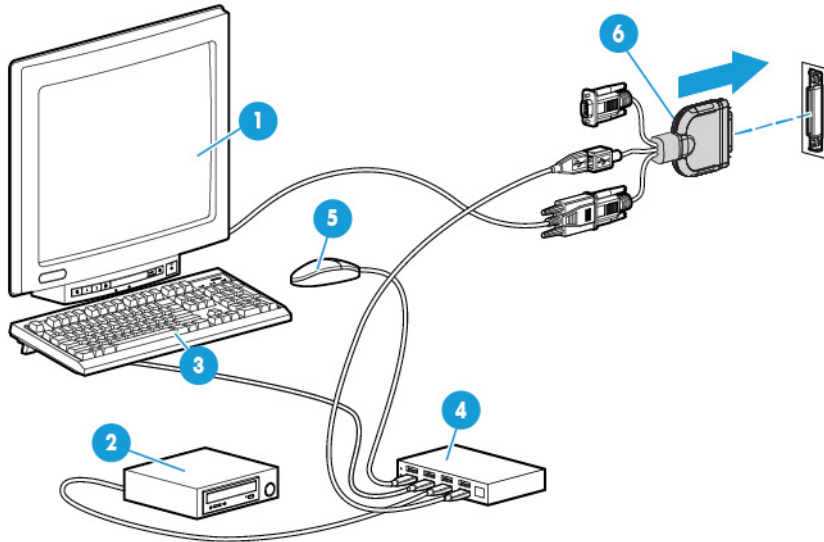
Accessing local media devices

Use the following configuration when configuring a server blade or loading software updates and patches from a USB CD/DVD-ROM.

Use a USB hub when connecting a USB CD-ROM drive to the server blade. The USB hub provides additional connections.

1. Open the serial label pull tab and connect the HP c-Class Blade SUV cable to the server blade.
2. Connect the video connector to a monitor.
3. Connect a USB hub to one USB connector.
4. Connect the following to the USB hub:
 - o USB CD/DVD-ROM drive
 - o USB keyboard

- USB mouse



Item	Description
1	Monitor
2	USB CD/DVD-ROM drive
3	USB keyboard
4	USB hub
5	USB mouse
6	HP c-Class Blade SUV Cable

Troubleshooting

Troubleshooting resources

The *HP ProLiant Gen9 Troubleshooting Guide, Volume I: Troubleshooting* provides procedures for resolving common problems and comprehensive courses of action for fault isolation and identification, issue resolution, and software maintenance on ProLiant servers and server blades. To view the guide, select a language:

- English (http://www.hp.com/support/Gen9_TSG_en)
- French (http://www.hp.com/support/Gen9_TSG_fr)
- Spanish (http://www.hp.com/support/Gen9_TSG_es)
- German (http://www.hp.com/support/Gen9_TSG_de)
- Japanese (http://www.hp.com/support/Gen9_TSG_ja)
- Simplified Chinese (http://www.hp.com/support/Gen9_TSG_zh_cn)

The *HP ProLiant Gen9 Troubleshooting Guide, Volume II: Error Messages* provides a list of error messages and information to assist with interpreting and resolving error messages on ProLiant servers and server blades. To view the guide, select a language:

- English (http://www.hp.com/support/Gen9_EMG_en)
- French (http://www.hp.com/support/Gen9_EMG_fr)
- Spanish (http://www.hp.com/support/Gen9_EMG_es)
- German (http://www.hp.com/support/Gen9_EMG_de)
- Japanese (http://www.hp.com/support/Gen9_EMG_ja)
- Simplified Chinese (http://www.hp.com/support/Gen9_EMG_zh_cn)

Software and configuration utilities

Server mode

The software and configuration utilities presented in this section operate in online mode, offline mode, or in both modes.

Software or configuration utility	Server mode
HP iLO (on page 51)	Online and Offline
Active Health System (on page 52)	Online and Offline
HP RESTful API ("HP RESTful API support for HP iLO" on page 53)	Online and Offline
Integrated Management Log (on page 53)	Online and Offline
Intelligent Provisioning (on page 55)	Offline
HP Insight Diagnostics (on page 55)	Online and Offline
HP Insight Remote Support (on page 54)	Online
HP Insight Online (on page 54)	Online
Erase Utility (on page 55)	Offline
Scripting Toolkit for Windows and Linux (on page 56)	Online
HP Service Pack for ProLiant (on page 56)	Online and Offline
HP Smart Update Manager (on page 56)	Online and Offline
HP UEFI System Utilities (on page 57)	Offline
HP Smart Storage Administrator (on page 60)	Online and Offline
ROMPaq utility (on page 60)	Offline

Product QuickSpecs

For more information about product features, specifications, options, configurations, and compatibility, see the product QuickSpecs on the HP website (<http://www.hp.com/go/qs>).

HP iLO

The HP iLO subsystem is a standard component of HP ProLiant servers that simplifies initial server blade setup, server health monitoring, power and thermal optimization, and remote server administration. The HP iLO subsystem includes an intelligent microprocessor, secure memory, and a dedicated network interface. This design makes HP iLO independent of the host server and its operating system.

HP iLO enables and manages the Active Health System (on page 52) and also features Agentless Management. All key internal subsystems are monitored by HP iLO. If enabled, SNMP alerts are sent directly by HP iLO regardless of the host operating system or even if no host operating system is installed.

Embedded remote support software is available on HP ProLiant Gen8 and later servers with iLO 4, regardless of the operating system software and without installing OS agents on the server.

Using HP iLO, you can do the following:

- Access a high-performance and secure Integrated Remote Console to the server from anywhere in the world if you have a network connection to the server.
- Use the shared .NET Integrated Remote Console to collaborate with up to four server administrators.
- Remotely mount high-performance Virtual Media devices to the server blade.
- Securely and remotely control the power state of the managed server blade.
- Implement true Agentless Management with SNMP alerts from HP iLO, regardless of the state of the host server.
- Download the Active Health System log.
- Register for HP Insight Remote Support.
- Use iLO Federation to manage multiple servers from one system running the iLO web interface.
- Use Virtual Power and Virtual Media from the GUI, the CLI, or the iLO scripting toolkit for many tasks, including the automation of deployment and provisioning.
- Control iLO by using a remote management tool.

For more information about HP iLO features, see the HP iLO documentation on the HP website (<http://www.hp.com/go/ilo/docs>).

The HP iLO 4 hardware and firmware features and functionality, such as NAND size and embedded user partition, vary depending on the server blade model. For a complete list of supported features and functionality, see the HP iLO 4 QuickSpecs on the HP website (http://h18000.www1.hp.com/products/quickspecs/14276_div/14276_div.pdf).

Active Health System

HP Active Health System provides the following features:

- Combined diagnostics tools/scanners
- Always on, continuous monitoring for increased stability and shorter downtimes
- Rich configuration history
- Health and service alerts
- Easy export and upload to Service and Support

The HP Active Health System monitors and records changes in the server hardware and system configuration. The Active Health System assists in diagnosing problems and delivering rapid resolution if server failures occur.

The Active Health System collects the following types of data:

- Server model
- Serial number
- Processor model and speed
- Storage capacity and speed
- Memory capacity and speed
- Firmware/BIOS

HP Active Health System does not collect information about Active Health System users' operations, finances, customers, employees, partners, or data center, such as IP addresses, host names, user names, and passwords. HP Active Health System does not parse or change operating system data from third-party error event log activities, such as content created or passed through by the operating system.

The data that is collected is managed according to the HP Data Privacy policy. For more information see the HP website (<http://www.hp.com/go/privacy>).

The Active Health System, in conjunction with the system monitoring provided by Agentless Management or SNMP Pass-thru, provides continuous monitoring of hardware and configuration changes, system status, and service alerts for various server components.

The Agentless Management Service is available in the SPP, which can be downloaded from the HP website (<http://www.hp.com/go/spp/download>). The Active Health System log can be downloaded manually from HP iLO or HP Intelligent Provisioning and sent to HP.

For more information, see the following documents:

- *HP iLO User Guide* on the HP website (<http://www.hp.com/go/ilo/docs>)
- *HP Intelligent Provisioning User Guide* on the HP website (<http://www.hp.com/go/intelligentprovisioning/docs>)

HP RESTful API support for HP iLO

HP iLO 4 firmware version 2.00 and later includes the HP RESTful API. The HP RESTful API is a management interface that server management tools can use to perform configuration, inventory, and monitoring of an HP ProLiant server via iLO. A REST client sends HTTPS operations to the iLO web server to GET and PATCH JSON-formatted data, and to configure supported iLO and server settings, such as the UEFI BIOS settings.

HP iLO 4 supports the HP RESTful API with HP ProLiant Gen8 and later servers. For more information about the HP RESTful API, see the HP website (<http://www.hp.com/support/restfulinterface/docs>).

Integrated Management Log

The IML records hundreds of events and stores them in an easy-to-view form. The IML timestamps each event with 1-minute granularity.

You can view recorded events in the IML in several ways, including the following:

- From within HP SIM
- From within HP UEFI System Utilities (on page [57](#))
- From within the Embedded UEFI shell (on page [59](#))
- From within operating system-specific IML viewers:
 - For Windows: IML Viewer
 - For Linux: IML Viewer Application
- From within the HP iLO web interface
- From within HP Insight Diagnostics (on page [55](#))

HP Insight Remote Support

HP strongly recommends that you register your device for remote support to enable enhanced delivery of your HP Warranty, HP Care Pack Service, or HP contractual support agreement. HP Insight Remote Support supplements your monitoring continuously to ensure maximum system availability by providing intelligent event diagnosis, and automatic, secure submission of hardware event notifications to HP, which will initiate a fast and accurate resolution, based on your product's service level. Notifications can be sent to your authorized HP Channel Partner for onsite service, if configured and available in your country.

For more information, see *HP Insight Remote Support and Insight Online Setup Guide for ProLiant Servers and BladeSystem c-Class Enclosures* on the HP website (<http://www.hp.com/go/insightremotesupport/docs>). HP Insight Remote Support is available as part of HP Warranty, HP Care Pack Service, or HP contractual support agreement.

HP Insight Remote Support central connect

When you use the embedded Remote Support functionality with HP ProLiant Gen8 and later server models and HP BladeSystem c-Class enclosures, you can register a server blade or enclosure to communicate to HP through an HP Insight Remote Support centralized Hosting Device in your local environment. All configuration and service event information is routed through the Hosting Device. This information can be viewed by using the local HP Insight Remote Support user interface or the web-based view in HP Insight Online.

For more information, see *HP Insight Remote Support Release Notes* on the HP website (<http://www.hp.com/go/insightremotesupport/docs>).

HP Insight Online direct connect

When you use the embedded Remote Support functionality with HP ProLiant Gen8 and later server models and HP BladeSystem c-Class enclosures, you can register a server blade or enclosure to communicate directly to HP Insight Online without the need to set up an HP Insight Remote Support centralized Hosting Device in your local environment. HP Insight Online will be your primary interface for remote support information.

For more information, see the product documentation on the HP website (<http://www.hp.com/go/insightremotesupport/docs>).

HP Insight Online

HP Insight Online is a capability of the HP Support Center portal. Combined with HP Insight Remote Support central connect or HP Insight Online direct connect, it automatically aggregates device health, asset, and support information with contract and warranty information, and then secures it in a single, personalized dashboard that is viewable from anywhere at any time. The dashboard organizes your IT and service data to help you understand and respond to that information more quickly. With specific authorization from you, an authorized HP Channel Partner can also view your IT environment remotely using HP Insight Online.

For more information about using HP Insight Online, see the *HP Insight Online User's Guide* on the HP website (<http://www.hp.com/go/insightremotesupport/docs>).

Intelligent Provisioning

Intelligent Provisioning is a single-server deployment tool embedded in HP ProLiant Gen8 and later servers that simplifies HP ProLiant server setup, providing a reliable and consistent way to deploy HP ProLiant server configurations:

- Intelligent Provisioning assists with the OS installation process by preparing the system for installing "off-the-shelf" and HP branded versions of operating system software and integrating optimized HP ProLiant server support software.
- Intelligent Provisioning provides maintenance-related tasks using the Perform Maintenance window.
- Intelligent Provisioning provides installation help for Microsoft Windows, Red Hat and SUSE Linux, and VMware operating systems. For specific OS support, see the *HP Intelligent Provisioning Release Notes* on the HP website (<http://www.hp.com/go/intelligentprovisioning/docs>).

For more information about Intelligent Provisioning software, see the HP website (<http://www.hp.com/go/intelligentprovisioning>). For Intelligent Provisioning recovery media downloads, see the Resources tab on the HP website (<http://www.hp.com/go/ilo>). For consolidated drive and firmware update packages, see the HP Smart Update: Server Firmware and Driver Updates page on the HP website (<http://www.hp.com/go/SmartUpdate>).

HP Insight Diagnostics

HP Insight Diagnostics is a proactive server blade management tool, available in both offline and online versions, that provides diagnostics and troubleshooting capabilities to assist IT administrators who verify server blade installations, troubleshoot problems, and perform repair validation.

HP Insight Diagnostics Offline Edition performs various in-depth system and component testing while the OS is not running. To run this utility, boot the server blade using Intelligent Provisioning (on page 55).

HP Insight Diagnostics Online Edition is a web-based application that captures system configuration and other related data needed for effective server blade management. Available in Microsoft Windows and Linux versions, the utility helps to ensure proper system operation.

For more information or to download the utility, see the HP website (<http://www.hp.com/servers/diags>). HP Insight Diagnostics Online Edition is also available in the SPP ("HP Service Pack for ProLiant" on page 56).

HP Insight Diagnostics survey functionality

HP Insight Diagnostics (on page 55) provides survey functionality that gathers critical hardware and software information on ProLiant server blades.

This functionality supports operating systems that are supported by the server blade. For operating systems supported by the server blade, see the HP website (<http://www.hp.com/go/supportos>).

If a significant change occurs between data-gathering intervals, the survey function marks the previous information and overwrites the survey data files to reflect the latest changes in the configuration.

Survey functionality is installed with every Intelligent Provisioning-assisted HP Insight Diagnostics installation, or it can be installed through the SPP ("HP Service Pack for ProLiant" on page 56).

Erase Utility



CAUTION: Perform a backup before running the Erase Utility. The utility sets the system to its original factory state, deletes the current hardware configuration information, including array setup and disk partitioning, and erases all connected hard drives completely. Before using this utility, see the instructions in the *HP Intelligent Provisioning User Guide*.

Use the Erase Utility to erase drives and Active Health System logs, and to reset UEFI System Utilities settings. Run the Erase Utility if you must erase the system for the following reasons:

- You want to install a new operating system on a server blade with an existing operating system.
- You encounter an error when completing the steps of a factory-installed operating system installation.

To access the Erase Utility, click the Perform Maintenance icon from the Intelligent Provisioning home screen, and then select **Erase**.

For more information about the Erase Utility, see the *HP Intelligent Provisioning User Guide* on the HP website (<http://www.hp.com/go/intelligentprovisioning/docs>).

Scripting Toolkit for Windows and Linux

The Scripting Toolkit for Windows and Linux is a server deployment product that delivers an unattended automated installation for high-volume server deployments. The Scripting Toolkit is designed to support ProLiant BL, ML, DL, and SL servers. The toolkit includes a modular set of utilities and important documentation that describes how to apply these tools to build an automated server deployment process.

The Scripting Toolkit provides a flexible way to create standard server configuration scripts. These scripts are used to automate many of the manual steps in the server configuration process. This automated server configuration process cuts time from each deployment, making it possible to scale rapid, high-volume server deployments.

For more information, and to download the Scripting Toolkit, see the HP website (<http://www.hp.com/go/ProLiant/STK>).

HP Service Pack for ProLiant

SPP is a comprehensive systems software (drivers and firmware) solution delivered as a single package with major server releases. This solution uses HP SUM as the deployment tool and is tested on all supported HP ProLiant servers including HP ProLiant Gen8 and later servers.

SPP can be used in an online mode on a Windows or Linux hosted operating system, or in an offline mode where the server is booted to an operating system included on the ISO file so that the server can be updated automatically with no user interaction or updated in interactive mode.

For more information or to download SPP, see one of the following pages on the HP website:

- HP Service Pack for ProLiant download page (<http://www.hp.com/go/spp>)
- HP Smart Update: Server Firmware and Driver Updates page (<http://www.hp.com/go/SmartUpdate>)

HP Smart Update Manager

HP SUM is a product used to install and update firmware, drivers, and systems software on HP ProLiant servers. HP SUM provides a GUI and a command-line scriptable interface for deployment of systems software for single or one-to-many HP ProLiant servers and network-based targets, such as iLOs, OAs, and VC Ethernet and Fibre Channel modules.

For more information about HP SUM, see the product page on the HP website (<http://www.hp.com/go/hpsum>).

To download HP SUM, see the HP website (<http://www.hp.com/go/hpsum/download>).

To access the *HP Smart Update Manager User Guide*, see the HP SUM Information Library (<http://www.hp.com/go/hpsum/documentation>).

HP UEFI System Utilities

The HP UEFI System Utilities is embedded in the system ROM. The UEFI System Utilities enable you to perform a wide range of configuration activities, including:

- Configuring system devices and installed options
- Enabling and disabling system features
- Displaying system information
- Selecting the primary boot controller
- Configuring memory options
- Selecting a language
- Launching other pre-boot environments such as the Embedded UEFI Shell and Intelligent Provisioning

For more information on the HP UEFI System Utilities, see the *HP UEFI System Utilities User Guide for HP ProLiant Gen9 Servers* on the HP website (<http://www.hp.com/go/ProLiantUEFI/docs>).

Scan the QR code located at the bottom of the screen to access mobile-ready online help for the UEFI System Utilities and UEFI Shell. For on-screen help, press **F1**.

Using HP UEFI System Utilities

To use the System Utilities, use the following keys.

Action	Key
Access System Utilities	F9 during server POST
Navigate menus	Up and Down arrows
Select items	Enter
Save selections	F10
Access Help for a highlighted configuration option*	F1

*Scan the QR code on the screen to access online help for the UEFI System Utilities and UEFI Shell.

Default configuration settings are applied to the server at one of the following times:

- Upon the first system power-up
- After defaults have been restored

Default configuration settings are sufficient for typical server operations; however, you can modify configuration settings as needed. The system prompts you for access to the System Utilities each time the system is powered up.

Flexible boot control

This feature enables you to do the following:

- Add Boot Options
 - Browse all FAT16 and FAT32 file systems.
 - Select an X64 UEFI application with an .EFI extension to add as a new UEFI boot option, such as an OS boot loader or other UEFI application.
The new boot option is appended to the boot order list. When you select a file, you are prompted to enter the boot option description (which is then displayed in the Boot menu), as well as any optional data to be passed to an .EFI application.
- Boot to System Utilities
Toward the end of the boot process, the boot options screen appears. This screen is visible for several seconds before the system attempts to boot from a supported boot device. During this time, you can access the System Utilities by pressing the **F9** key.
- Choose between supported modes: Legacy BIOS Boot Mode or UEFI Boot Mode



IMPORTANT: If the default boot mode settings are different than the user defined settings, the system may not boot the OS installation if the defaults are restored. To avoid this issue, use the User Defined Defaults feature in UEFI System Utilities to override the factory default settings.

For more information, see the *HP UEFI System Utilities User Guide for HP ProLiant Gen9 Servers* on the HP website (<http://www.hp.com/go/ProLiantUEFI/docs>).

Restoring and customizing configuration settings

You can reset all configuration settings to the factory default settings, or you can restore system default configuration settings, which are used instead of the factory default settings.

You can also configure default settings as necessary, and then save the configuration as the custom default configuration. When the system loads the default settings, it uses the custom default settings instead of the factory defaults.

Secure Boot configuration

Secure Boot is integrated in the UEFI specification on which the HP implementation of UEFI is based. Secure Boot is completely implemented in the BIOS and does not require special hardware. It ensures that each component launched during the boot process is digitally signed and that the signature is validated against a set of trusted certificates embedded in the UEFI BIOS. Secure Boot validates the software identity of the following components in the boot process:

- UEFI drivers loaded from PCIe cards
- UEFI drivers loaded from mass storage devices
- Pre-boot UEFI shell applications
- OS UEFI boot loaders

Once enabled, only firmware components and operating systems with boot loaders that have an appropriate digital signature can execute during the boot process. Only operating systems that support Secure Boot and have an EFI boot loader signed with one of the authorized keys can boot when Secure Boot is enabled. For

more information about supported operating systems, see the *HP UEFI System Utilities and Shell Release Notes* on the HP website (<http://www.hp.com/go/ProLiantUEFI/docs>).

A physically present user can customize the certificates embedded in the UEFI BIOS by adding/removing their own certificates.

Embedded UEFI shell

The system BIOS in all HP ProLiant Gen9 servers includes an embedded UEFI Shell in the ROM. The UEFI Shell environment provides an API, a command line prompt, and a set of CLIs that allow scripting, file manipulation, and system information. These features enhance the capabilities of the UEFI System Utilities.

For more information, see the following documents:

- *HP UEFI Shell User Guide for HP ProLiant Gen9 Servers* on the HP website (<http://www.hp.com/go/ProLiantUEFI/docs>)
- *UEFI Shell Specification* on the UEFI website (<http://www.uefi.org/specifications>)

Embedded UEFI diagnostics

The system BIOS in all HP ProLiant Gen9 servers includes an embedded UEFI diagnostics tool in the ROM. The embedded UEFI diagnostics tool can run comprehensive diagnostics of the server hardware, including processors, memory, drives, and other server components.

For more information on the embedded UEFI diagnostics tool, see the *HP UEFI System Utilities User Guide for HP ProLiant Gen9 Servers* on the HP website (<http://www.hp.com/go/ProLiantUEFI/docs>).

HP RESTful API support for UEFI

HP ProLiant Gen9 servers include support for a UEFI compliant System BIOS, along with UEFI System Utilities and Embedded UEFI Shell pre-boot environments. HP ProLiant Gen9 servers also support configuring the UEFI BIOS settings using the HP RESTful API, a management interface that server management tools can use to perform configuration, inventory, and monitoring of an HP ProLiant server. A REST client uses HTTPS operations to configure supported server settings, such as UEFI BIOS settings.

For more information about the HP RESTful API and the HP RESTful Interface Tool, see the HP website (<http://www.hp.com/support/restfulinterface/docs>).

Re-entering the server serial number and product ID

After you replace the system board, you must re-enter the server blade serial number and the product ID.

1. During the server blade startup sequence, press the **F9** key to access UEFI System Utilities.
2. Select the **System Configuration > BIOS/Platform Configuration (RBSU) > Advanced Options > Advanced System ROM Options > Serial Number**, and then press the **Enter** key.
3. Enter the serial number and press the **Enter** key. The following message appears:

```
The serial number should only be modified by qualified service personnel.  
This value should always match the serial number located on the chassis.
```
4. Press the **Enter** key to clear the warning.
5. Enter the serial number and press the **Enter** key.
6. Select **Product ID**. The following warning appears:

Warning: The Product ID should ONLY be modified by qualified service personnel. This value should always match the Product ID located on the chassis.

7. Enter the product ID and press the **Enter** key.
8. Press the **F10** key to confirm exiting System Utilities. The server blade automatically reboots.

Utilities and features

HP Smart Storage Administrator

HP SSA is a configuration and management tool for HP Smart Array controllers. Starting with HP ProLiant Gen8 servers, HP SSA replaces ACU with an enhanced GUI and additional configuration features.

HP SSA exists in three interface formats: the HP SSA GUI, the HP SSA CLI, and HP SSA Scripting. Although all formats provide support for configuration tasks, some of the advanced tasks are available in only one format.

Some HP SSA features include the following:

- Supports online array capacity expansion, logical drive extension, assignment of online spares, and RAID or stripe size migration
- Suggests the optimal configuration for an unconfigured system
- Provides diagnostic and SmartSSD Wear Gauge functionality on the Diagnostics tab
- For supported controllers, provides access to additional features.

For more information about HP SSA, see the HP website (<http://www.hp.com/go/hpssa>).

ROMPaaS utility

The ROMPaaS utility enables you to upgrade the system firmware (BIOS). To upgrade the firmware, insert a ROMPaaS USB Key into an available USB port and boot the system. In addition to ROMPaaS, Online Flash Components for Windows and Linux operating systems are available for updating the system firmware.

The ROMPaaS utility checks the system and provides a choice (if more than one exists) of available firmware revisions.

For more information, go to the HP website (<http://www.hp.com/go/hpsc>) and click on **Drivers, Software & Firmware**. Then, enter your product name in the **Find an HP product** field and click **Go**.

Automatic Server Recovery

ASR is a feature that causes the system to restart when a catastrophic operating system error occurs, such as a blue screen, ABEND, or panic. A system fail-safe timer, the ASR timer, starts when the System Management driver, also known as the Health Driver, is loaded. When the operating system is functioning properly, the system periodically resets the timer. However, when the operating system fails, the timer expires and restarts the server.

ASR increases server availability by restarting the server within a specified time after a system hang. You can disable ASR from the System Management Homepage or through UEFI System Utilities.

USB support

HP provides standard USB 2.0 support, standard USB 3.0 support, and legacy USB support. Standard support is provided by the OS through the appropriate USB device drivers.

Before the OS loads, HP provides support for USB 2.0 devices through legacy USB support, which is enabled by default in the system ROM. USB 3.0 ports are not functional before the OS loads. The native OS provides USB 3.0 support through appropriate xHCI drivers.

Legacy USB support provides USB functionality in environments where USB support is not available normally. Specifically, HP provides legacy USB functionality for the following:

- POST (system boot)
- UEFI System Utilities
- Pre-boot UEFI shell
- DOS
- Operating environments which do not provide native USB support

External USB functionality

HP provides external USB support to enable local connection of USB devices for server blade administration, configuration, and diagnostic procedures.

For additional security, external USB functionality can be disabled through USB options in UEFI System Utilities.

Redundant ROM support

The server blade enables you to upgrade or configure the ROM safely with redundant ROM support. The server blade has a single ROM that acts as two separate ROM images. In the standard implementation, one side of the ROM contains the current ROM program version, while the other side of the ROM contains a backup version.

NOTE: The server ships with the same version programmed on each side of the ROM.

Safety and security benefits

When you flash the system ROM, ROMPaq writes over the backup ROM and saves the current ROM as a backup, enabling you to switch easily to the alternate ROM version if the new ROM becomes corrupted for any reason. This feature protects the existing ROM version, even if you experience a power failure while flashing the ROM.

Keeping the system current

Drivers



IMPORTANT: Always perform a backup before installing or updating device drivers.

The server blade includes new hardware that may not have driver support on all OS installation media.

If you are installing an Intelligent Provisioning-supported OS, use Intelligent Provisioning (on page 55) and its Configure and Install feature to install the OS and latest supported drivers.

If you do not use Intelligent Provisioning to install an OS, drivers for some of the new hardware are required. These drivers, as well as other option drivers, ROM images, and value-add software can be downloaded as part of an SPP.

If you are installing drivers from SPP, be sure that you are using the latest SPP version that your server blade supports. To verify that your server blade is using the latest supported version and for more information about SPP, see the HP website (<http://www.hp.com/go/spp/download>).

To locate the drivers for a particular server, go to the HP website (<http://www.hp.com/go/hpsc>) and click on **Drivers, Software & Firmware**. Then, enter your product name in the **Find an HP product** field and click **Go**.

Software and firmware

Software and firmware should be updated before using the server for the first time, unless any installed software or components require an older version.

For system software and firmware updates, use one of the following sources:

- Download the SPP ("HP Service Pack for ProLiant" on page 56) from the HP Service Pack for ProLiant download page (<http://www.hp.com/go/spp>).
- Download individual drivers, firmware, or other systems software components from the server blade product page in the HP Support Center (<http://www.hp.com/go/hpsc>).

Version control

The VCRM and VCA are web-enabled Insight Management Agents tools that HP SIM uses to schedule software update tasks to the entire enterprise.

- VCRM manages the repository for SPP. Administrators can view the SPP contents or configure VCRM to automatically update the repository with internet downloads of the latest software and firmware from HP.
- VCA compares installed software versions on the node with updates available in the VCRM managed repository. Administrators configure VCA to point to a repository managed by VCRM.

For more information about version control tools, see the *HP Systems Insight Manager User Guide*, the *HP Version Control Agent User Guide*, and the *HP Version Control Repository User Guide* on the HP website (<http://www.hp.com/go/hpsim>).

HP operating systems and virtualization software support for ProLiant servers

For information about specific versions of a supported operating system, see the HP website (<http://www.hp.com/go/ossupport>).

HP Technology Service Portfolio

Connect to HP for assistance on the journey to the new style of IT. HP Technology Services delivers confidence and reduces risk to help you realize agility and stability in your IT infrastructure.

Utilize our consulting expertise in the areas of private or hybrid cloud computing, big data and mobility requirements, improving data center infrastructure and better use of today's server, storage and networking technology. For more information, see the HP website (<http://www.hp.com/services/consulting>).

Our support portfolio covers services for HP server, storage and networking hardware and software plus the leading industry standard operating systems. Let us work proactively with you to prevent problems. Our flexible choices of hardware and software support coverage windows and response times help resolve problems faster, reduce unplanned outages and free your staff for more important tasks. For more information, see the HP website (<http://www.hp.com/services/support>).

Tap into our knowledge, expertise, innovation and world-class services to achieve better results. Access and apply technology in new ways to optimize your operations and you'll be positioned for success.

Change control and proactive notification

HP offers Change Control and Proactive Notification to notify customers 30 to 60 days in advance of upcoming hardware and software changes on HP commercial products.

For more information, refer to the HP website (<http://www.hp.com/go/pcn>).

Battery replacement

If the server blade no longer automatically displays the correct date and time, then replace the battery that provides power to the real-time clock. Under normal use, battery life is 5 to 10 years.

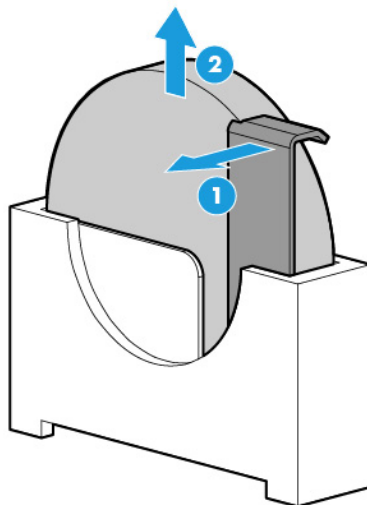


WARNING: The computer contains an internal lithium manganese dioxide, a vanadium pentoxide, or an alkaline battery pack. A risk of fire and burns exists if the battery pack is not properly handled. To reduce the risk of personal injury:

- Do not attempt to recharge the battery.
- Do not expose the battery to temperatures higher than 60°C (140°F).
- Do not disassemble, crush, puncture, short external contacts, or dispose of in fire or water.
- Replace only with the spare designated for this product.

To remove the component:

1. Power down the server blade (on page 12).
2. Remove the server blade (on page 13).
3. Place the server blade on a flat, level work surface.
4. Remove the access panel (on page 14).
5. Identify the battery location ("[System board components](#)" on page 9).
6. Remove the battery.



IMPORTANT: Replacing the system board battery resets the system ROM to its default configuration. After replacing the battery, reconfigure the system through UEFI System Utilities.

To replace the component, reverse the removal procedure.

For more information about battery replacement or proper disposal, contact an authorized reseller or an authorized service provider.

Regulatory information

Safety and regulatory compliance

For safety, environmental, and regulatory information, see *Safety and Compliance Information for Server, Storage, Power, Networking, and Rack Products*, available at the HP website (<http://www.hp.com/support/Safety-Compliance-EnterpriseProducts>).

Belarus Kazakhstan Russia marking



Manufacturer

Hewlett-Packard Company, Address: 3000 Hanover Street, Palo Alto, California 94304, U.S.

Local representative information (Russian)

- HP Russia
ЗАО «Хьюлетт-Паккард А.О.», 125171, Россия, г. Москва, Ленинградское шоссе, 16А, стр.3, тел./факс: +7 (495) 797 35 00, +7 (495) 287 89 05
- HP Belarus
ИООО «Хьюлетт-Паккард Бел», 220030, Беларусь, г. Минск, ул. Интернациональная, 36-1, офис 722-723, тел.: +375 (17) 392 28 18, факс: +375 (17) 392 28 21
- HP Kazakhstan
ТОО «Хьюлетт-Паккард (К)», 050040, Казахстан, г. Алматы, Бостандыкский район, ул. Тимирязева, 28В, 1 этаж, тел./факс: +7 (727) 355 35 50, +7 (727) 355 35 51

Local representative information (Kazakh)

ЖШС «Хьюлетт-Паккард (К)», Қазақстан, Алматы қ., Бостандық ауданы, Тимирязев к-сі, 28В, тел./факс: +7 (727) 355 35 50, +7 (727) 355 35 51

Manufacturing date

The manufacturing date is defined by the serial number (HP serial number format for this product):
CCSYWWZZZZ

Valid date formats include the following:

- YWW, where Y indicates the year counting from within each new decade, with 2000 as the starting point. For example, 238: 2 for 2002 and 38 for the week of September 9. In addition, 2010 is indicated by 0, 2011 by 1, 2012 by 2, 2013 by 3, and so forth.
- YYWW, where YY indicates the year, using a base year of 2000. For example, 0238: 02 for 2002 and 38 for the week of September 9.

Turkey RoHS material content declaration

Türkiye Cumhuriyeti: EEE Yönetmeliğine Uygundur

Ukraine RoHS material content declaration

Обладнання відповідає вимогам Технічного регламенту щодо обмеження використання деяких небезпечних речовин в електричному та електронному обладнанні, затвердженого постановою Кабінету Міністрів України від 3 грудня 2008 № 1057

Warranty information

HP ProLiant and X86 Servers and Options (<http://www.hp.com/support/ProLiantServers-Warranties>)

HP Enterprise Servers (<http://www.hp.com/support/EnterpriseServers-Warranties>)

HP Storage Products (<http://www.hp.com/support/Storage-Warranties>)

HP Networking Products (<http://www.hp.com/support/Networking-Warranties>)

Electrostatic discharge

Preventing electrostatic discharge

To prevent damaging the system, be aware of the precautions you need to follow when setting up the system or handling parts. A discharge of static electricity from a finger or other conductor may damage system boards or other static-sensitive devices. This type of damage may reduce the life expectancy of the device.

To prevent electrostatic damage:

- Avoid hand contact by transporting and storing products in static-safe containers.
- Keep electrostatic-sensitive parts in their containers until they arrive at static-free workstations.
- Place parts on a grounded surface before removing them from their containers.
- Avoid touching pins, leads, or circuitry.
- Always be properly grounded when touching a static-sensitive component or assembly.

Grounding methods to prevent electrostatic discharge

Several methods are used for grounding. Use one or more of the following methods when handling or installing electrostatic-sensitive parts:

- Use a wrist strap connected by a ground cord to a grounded workstation or computer chassis. Wrist straps are flexible straps with a minimum of 1 megohm \pm 10 percent resistance in the ground cords. To provide proper ground, wear the strap snug against the skin.
- Use heel straps, toe straps, or boot straps at standing workstations. Wear the straps on both feet when standing on conductive floors or dissipating floor mats.
- Use conductive field service tools.
- Use a portable field service kit with a folding static-dissipating work mat.

If you do not have any of the suggested equipment for proper grounding, have an authorized reseller install the part.

For more information on static electricity or assistance with product installation, contact an authorized reseller.

Specifications

Environmental specifications

Specification	Value
	—
Temperature range*	
Operating	10°C to 35°C (50°F to 95°F)
Non-operating	-30°C to 60°C (-22°F to 140°F)
Relative humidity (noncondensing)**	—
Operating	10% to 90% @ 28°C (82.4°F)
Non-operating	5% to 95% @ 38.7°C (101.7°F)
Altitude†	—
Operating	3050 m (10,000 ft)
Non-operating	9144 m (30,000 ft)

* The following temperature conditions and limitations apply:

- All temperature ratings shown are for sea level.
- An altitude derating of 1°C per 304.8 m (1.8°F per 1,000 ft) up to 3048 m (10,000 ft) applies.
- No direct sunlight is allowed.
- The maximum permissible rate of change is 10°C/hr (18°F/hr).
- The type and number of options installed may reduce the upper temperature and humidity limits.
- Operating with a fan fault or above 30°C (86°F) may reduce system performance.

** Storage maximum humidity of 95% is based on a maximum temperature of 45°C (113°F).

†Maximum storage altitude corresponds to a minimum pressure of 70 kPa (10.1 psia).

Server blade specifications

Specification	Value
Height	180.70 mm (7.11 in)
Depth	517.51 mm (20.37 in)
Width	55.37 mm (2.18 in)
Weight (maximum)	6.33 kg (13.96 lb)
Weight (minimum)	4.50 kg (9.90 lb)

Support and other resources

Before you contact HP

Be sure to have the following information available before you call HP:

- Active Health System log (HP ProLiant Gen8 or later products)
Download and have available an Active Health System log for 7 days before the failure was detected. For more information, see the *HP iLO 4 User Guide* or *HP Intelligent Provisioning User Guide* on the HP website (<http://www.hp.com/go/ilo/docs>).
- Onboard Administrator SHOW ALL report (for HP BladeSystem products only)
For more information on obtaining the Onboard Administrator SHOW ALL report, see the HP website (<http://www.hp.com/go/OAlog>).
- Technical support registration number (if applicable)
- Product serial number
- Product model name and number
- Product identification number
- Applicable error messages
- Add-on boards or hardware
- Third-party hardware or software
- Operating system type and revision level

HP contact information

For United States and worldwide contact information, see the Contact HP website (<http://www.hp.com/go/assistance>).

In the United States:

- To contact HP by phone, call 1-800-334-5144. For continuous quality improvement, calls may be recorded or monitored.
- If you have purchased a Care Pack (service upgrade), see the Support & Drivers website (<http://www8.hp.com/us/en/support-drivers.html>). If the problem cannot be resolved at the website, call 1-800-633-3600. For more information about Care Packs, see the HP website (<http://pro-aq-sama.houston.hp.com/services/cache/10950-0-0-225-121.html>).

Customer Self Repair

HP products are designed with many Customer Self Repair (CSR) parts to minimize repair time and allow for greater flexibility in performing defective parts replacement. If during the diagnosis period HP (or HP service

providers or service partners) identifies that the repair can be accomplished by the use of a CSR part, HP will ship that part directly to you for replacement. There are two categories of CSR parts:

- **Mandatory**—Parts for which customer self repair is mandatory. If you request HP to replace these parts, you will be charged for the travel and labor costs of this service.
- **Optional**—Parts for which customer self repair is optional. These parts are also designed for customer self repair. If, however, you require that HP replace them for you, there may or may not be additional charges, depending on the type of warranty service designated for your product.

NOTE: Some HP parts are not designed for customer self repair. In order to satisfy the customer warranty, HP requires that an authorized service provider replace the part. These parts are identified as "No" in the Illustrated Parts Catalog.

Based on availability and where geography permits, CSR parts will be shipped for next business day delivery. Same day or four-hour delivery may be offered at an additional charge where geography permits. If assistance is required, you can call the HP Technical Support Center and a technician will help you over the telephone. HP specifies in the materials shipped with a replacement CSR part whether a defective part must be returned to HP. In cases where it is required to return the defective part to HP, you must ship the defective part back to HP within a defined period of time, normally five (5) business days. The defective part must be returned with the associated documentation in the provided shipping material. Failure to return the defective part may result in HP billing you for the replacement. With a customer self repair, HP will pay all shipping and part return costs and determine the courier/carrier to be used.

For more information about HP's Customer Self Repair program, contact your local service provider. For the North American program, refer to the HP website (<http://www.hp.com/go/selfrepair>).

Réparation par le client (CSR)

Les produits HP comportent de nombreuses pièces CSR (Customer Self Repair = réparation par le client) afin de minimiser les délais de réparation et faciliter le remplacement des pièces défectueuses. Si pendant la période de diagnostic, HP (ou ses partenaires ou mainteneurs agréés) détermine que la réparation peut être effectuée à l'aide d'une pièce CSR, HP vous l'envoie directement. Il existe deux catégories de pièces CSR:

Obligatoire - Pièces pour lesquelles la réparation par le client est obligatoire. Si vous demandez à HP de remplacer ces pièces, les coûts de déplacement et main d'œuvre du service vous seront facturés.

Facultatif - Pièces pour lesquelles la réparation par le client est facultative. Ces pièces sont également conçues pour permettre au client d'effectuer lui-même la réparation. Toutefois, si vous demandez à HP de remplacer ces pièces, l'intervention peut ou non vous être facturée, selon le type de garantie applicable à votre produit.

REMARQUE: Certaines pièces HP ne sont pas conçues pour permettre au client d'effectuer lui-même la réparation. Pour que la garantie puisse s'appliquer, HP exige que le remplacement de la pièce soit effectué par un Mainteneur Agréé. Ces pièces sont identifiées par la mention "Non" dans le Catalogue illustré.

Les pièces CSR sont livrées le jour ouvré suivant, dans la limite des stocks disponibles et selon votre situation géographique. Si votre situation géographique le permet et que vous demandez une livraison le jour même ou dans les 4 heures, celle-ci vous sera facturée. Pour bénéficier d'une assistance téléphonique, appelez le Centre d'assistance technique HP. Dans les documents envoyés avec la pièce de rechange CSR, HP précise s'il est nécessaire de lui retourner la pièce défectueuse. Si c'est le cas, vous devez le faire dans le délai indiqué, généralement cinq (5) jours ouvrés. La pièce et sa documentation doivent être retournées dans l'emballage fourni. Si vous ne retournez pas la pièce défectueuse, HP se réserve le droit de vous facturer les coûts de remplacement. Dans le cas d'une pièce CSR, HP supporte l'ensemble des frais d'expédition et de retour, et détermine la société de courses ou le transporteur à utiliser.

Pour plus d'informations sur le programme CSR de HP, contactez votre Mainteneur Agrée local. Pour plus d'informations sur ce programme en Amérique du Nord, consultez le site Web HP (<http://www.hp.com/go/selfrepair>).

Riparazione da parte del cliente

Per abbreviare i tempi di riparazione e garantire una maggiore flessibilità nella sostituzione di parti difettose, i prodotti HP sono realizzati con numerosi componenti che possono essere riparati direttamente dal cliente (CSR, Customer Self Repair). Se in fase di diagnostica HP (o un centro di servizi o di assistenza HP) identifica il guasto come riparabile mediante un ricambio CSR, HP lo spedisce direttamente al cliente per la sostituzione. Vi sono due categorie di parti CSR:

Obbligatorie – Parti che devono essere necessariamente riparate dal cliente. Se il cliente ne affida la riparazione ad HP, deve sostenere le spese di spedizione e di manodopera per il servizio.

Opzionali – Parti la cui riparazione da parte del cliente è facoltativa. Si tratta comunque di componenti progettati per questo scopo. Se tuttavia il cliente ne richiede la sostituzione ad HP, potrebbe dover sostenere spese aggiuntive a seconda del tipo di garanzia previsto per il prodotto.

NOTA: alcuni componenti HP non sono progettati per la riparazione da parte del cliente. Per rispettare la garanzia, HP richiede che queste parti siano sostituite da un centro di assistenza autorizzato. Tali parti sono identificate da un "No" nel Catalogo illustrato dei componenti.

In base alla disponibilità e alla località geografica, le parti CSR vengono spedite con consegna entro il giorno lavorativo seguente. La consegna nel giorno stesso o entro quattro ore è offerta con un supplemento di costo solo in alcune zone. In caso di necessità si può richiedere l'assistenza telefonica di un addetto del centro di supporto tecnico HP. Nel materiale fornito con una parte di ricambio CSR, HP specifica se il cliente deve restituire dei componenti. Qualora sia richiesta la resa ad HP del componente difettoso, lo si deve spedire ad HP entro un determinato periodo di tempo, generalmente cinque (5) giorni lavorativi. Il componente difettoso deve essere restituito con la documentazione associata nell'imballo di spedizione fornito. La mancata restituzione del componente può comportare la fatturazione del ricambio da parte di HP. Nel caso di riparazione da parte del cliente, HP sostiene tutte le spese di spedizione e resa e sceglie il corriere/vettore da utilizzare.

Per ulteriori informazioni sul programma CSR di HP contattare il centro di assistenza di zona. Per il programma in Nord America fare riferimento al sito Web HP (<http://www.hp.com/go/selfrepair>).

Customer Self Repair

HP Produkte enthalten viele CSR-Teile (Customer Self Repair), um Reparaturzeiten zu minimieren und höhere Flexibilität beim Austausch defekter Bauteile zu ermöglichen. Wenn HP (oder ein HP Servicepartner) bei der Diagnose feststellt, dass das Produkt mithilfe eines CSR-Teils repariert werden kann, sendet Ihnen HP dieses Bauteil zum Austausch direkt zu. CSR-Teile werden in zwei Kategorien unterteilt:

Zwingend – Teile, für die das Customer Self Repair-Verfahren zwingend vorgegeben ist. Wenn Sie den Austausch dieser Teile von HP vornehmen lassen, werden Ihnen die Anfahrt- und Arbeitskosten für diesen Service berechnet.

Optional – Teile, für die das Customer Self Repair-Verfahren optional ist. Diese Teile sind auch für Customer Self Repair ausgelegt. Wenn Sie jedoch den Austausch dieser Teile von HP vornehmen lassen möchten, können bei diesem Service je nach den für Ihr Produkt vorgesehenen Garantiebedingungen zusätzliche Kosten anfallen.

HINWEIS: Einige Teile sind nicht für Customer Self Repair ausgelegt. Um den Garantieanspruch des Kunden zu erfüllen, muss das Teil von einem HP Servicepartner ersetzt werden. Im illustrierten Teilekatalog sind diese Teile mit „No“ bzw. „Nein“ gekennzeichnet.

CSR-Teile werden abhängig von der Verfügbarkeit und vom Lieferziel am folgenden Geschäftstag geliefert. Für bestimmte Standorte ist eine Lieferung am selben Tag oder innerhalb von vier Stunden gegen einen Aufpreis verfügbar. Wenn Sie Hilfe benötigen, können Sie das HP technische Support Center anrufen und sich von einem Mitarbeiter per Telefon helfen lassen. Den Materialien, die mit einem CSR-Ersatzteil geliefert werden, können Sie entnehmen, ob das defekte Teil an HP zurückgeschickt werden muss. Wenn es erforderlich ist, das defekte Teil an HP zurückzuschicken, müssen Sie dies innerhalb eines vorgegebenen Zeitraums tun, in der Regel innerhalb von fünf (5) Geschäftstagen. Das defekte Teil muss mit der zugehörigen Dokumentation in der Verpackung zurückgeschickt werden, die im Lieferumfang enthalten ist. Wenn Sie das defekte Teil nicht zurückschicken, kann HP Ihnen das Ersatzteil in Rechnung stellen. Im Falle von Customer Self Repair kommt HP für alle Kosten für die Lieferung und Rücksendung auf und bestimmt den Kurier-/Frachtdienst.

Weitere Informationen über das HP Customer Self Repair Programm erhalten Sie von Ihrem Servicepartner vor Ort. Informationen über das CSR-Programm in Nordamerika finden Sie auf der HP Website unter (<http://www.hp.com/go/selfrepair>).

Reparaciones del propio cliente

Los productos de HP incluyen muchos componentes que el propio usuario puede reemplazar (*Customer Self Repair*, CSR) para minimizar el tiempo de reparación y ofrecer una mayor flexibilidad a la hora de realizar sustituciones de componentes defectuosos. Si, durante la fase de diagnóstico, HP (o los proveedores o socios de servicio de HP) identifica que una reparación puede llevarse a cabo mediante el uso de un componente CSR, HP le enviará dicho componente directamente para que realice su sustitución. Los componentes CSR se clasifican en dos categorías:

- **Obligatorio:** componentes para los que la reparación por parte del usuario es obligatoria. Si solicita a HP que realice la sustitución de estos componentes, tendrá que hacerse cargo de los gastos de desplazamiento y de mano de obra de dicho servicio.
- **Opcional:** componentes para los que la reparación por parte del usuario es opcional. Estos componentes también están diseñados para que puedan ser reparados por el usuario. Sin embargo, si precisa que HP realice su sustitución, puede o no conllevar costes adicionales, dependiendo del tipo de servicio de garantía correspondiente al producto.

NOTA: Algunos componentes no están diseñados para que puedan ser reparados por el usuario. Para que el usuario haga valer su garantía, HP pone como condición que un proveedor de servicios autorizado realice la sustitución de estos componentes. Dichos componentes se identifican con la palabra "No" en el catálogo ilustrado de componentes.

Según la disponibilidad y la situación geográfica, los componentes CSR se enviarán para que lleguen a su destino al siguiente día laborable. Si la situación geográfica lo permite, se puede solicitar la entrega en el mismo día o en cuatro horas con un coste adicional. Si precisa asistencia técnica, puede llamar al Centro de asistencia técnica de HP y recibirá ayuda telefónica por parte de un técnico. Con el envío de materiales para la sustitución de componentes CSR, HP especificará si los componentes defectuosos deberán devolverse a HP. En aquellos casos en los que sea necesario devolver algún componente a HP, deberá hacerlo en el periodo de tiempo especificado, normalmente cinco días laborables. Los componentes defectuosos deberán devolverse con toda la documentación relacionada y con el embalaje de envío. Si no enviara el componente defectuoso requerido, HP podrá cobrarle por el de sustitución. En el caso de todas

sustituciones que lleve a cabo el cliente, HP se hará cargo de todos los gastos de envío y devolución de componentes y escogerá la empresa de transporte que se utilice para dicho servicio.

Para obtener más información acerca del programa de Reparaciones del propio cliente de HP, póngase en contacto con su proveedor de servicios local. Si está interesado en el programa para Norteamérica, visite la página web de HP siguiente (<http://www.hp.com/go/selfrepair>).

Customer Self Repair

Veel onderdelen in HP producten zijn door de klant zelf te repareren, waardoor de reparatieduur tot een minimum beperkt kan blijven en de flexibiliteit in het vervangen van defecte onderdelen groter is. Deze onderdelen worden CSR-onderdelen (Customer Self Repair) genoemd. Als HP (of een HP Service Partner) bij de diagnose vaststelt dat de reparatie kan worden uitgevoerd met een CSR-onderdeel, verzendt HP dat onderdeel rechtstreeks naar u, zodat u het defecte onderdeel daarmee kunt vervangen. Er zijn twee categorieën CSR-onderdelen:

Verplicht: Onderdelen waarvoor reparatie door de klant verplicht is. Als u HP verzoekt deze onderdelen voor u te vervangen, worden u voor deze service reiskosten en arbeidsloon in rekening gebracht.

Optioneel: Onderdelen waarvoor reparatie door de klant optioneel is. Ook deze onderdelen zijn ontworpen voor reparatie door de klant. Als u echter HP verzoekt deze onderdelen voor u te vervangen, kunnen daarvoor extra kosten in rekening worden gebracht, afhankelijk van het type garantieservice voor het product.

OPMERKING: Sommige HP onderdelen zijn niet ontwikkeld voor reparatie door de klant. In verband met de garantievoorwaarden moet het onderdeel door een geautoriseerde Service Partner worden vervangen. Deze onderdelen worden in de geïllustreerde onderdelencatalogus aangemerkt met "Nee".

Afhankelijk van de leverbaarheid en de locatie worden CSR-onderdelen verzonden voor levering op de eerstvolgende werkdag. Levering op dezelfde dag of binnen vier uur kan tegen meerkosten worden aangeboden, indien dit mogelijk is gezien de locatie. Indien assistentie gewenst is, belt u een HP Service Partner om via de telefoon technische ondersteuning te ontvangen. HP vermeldt in de documentatie bij het vervangende CSR-onderdeel of het defecte onderdeel aan HP moet worden geretourneerd. Als het defecte onderdeel aan HP moet worden teruggezonden, moet u het defecte onderdeel binnen een bepaalde periode, gewoonlijk vijf (5) werkdagen, retourneren aan HP. Het defecte onderdeel moet met de bijbehorende documentatie worden geretourneerd in het meegeleverde verpakkingsmateriaal. Als u het defecte onderdeel niet terugzendt, kan HP u voor het vervangende onderdeel kosten in rekening brengen. Bij reparatie door de klant betaalt HP alle verzendkosten voor het vervangende en geretourneerde onderdeel en kiest HP zelf welke koerier/transportonderneming hiervoor wordt gebruikt.

Neem contact op met een Service Partner voor meer informatie over het Customer Self Repair programma van HP. Informatie over Service Partners vindt u op de HP website (<http://www.hp.com/go/selfrepair>).

Reparo feito pelo cliente

Os produtos da HP são projetados com muitas peças para reparo feito pelo cliente (CSR) de modo a minimizar o tempo de reparo e permitir maior flexibilidade na substituição de peças com defeito. Se, durante o período de diagnóstico, a HP (ou fornecedores/parceiros de serviço da HP) concluir que o reparo pode ser efetuado pelo uso de uma peça CSR, a peça de reposição será enviada diretamente ao cliente. Existem duas categorias de peças CSR:

Obrigatória – Peças cujo reparo feito pelo cliente é obrigatório. Se desejar que a HP substitua essas peças, serão cobradas as despesas de transporte e mão-de-obra do serviço.

Opcional – Peças cujo reparo feito pelo cliente é opcional. Essas peças também são projetadas para o reparo feito pelo cliente. No entanto, se desejar que a HP as substitua, pode haver ou não a cobrança de taxa adicional, dependendo do tipo de serviço de garantia destinado ao produto.

OBSERVAÇÃO: Algumas peças da HP não são projetadas para o reparo feito pelo cliente. A fim de cumprir a garantia do cliente, a HP exige que um técnico autorizado substitua a peça. Essas peças estão identificadas com a marca "No" (Não), no catálogo de peças ilustrado.

Conforme a disponibilidade e o local geográfico, as peças CSR serão enviadas no primeiro dia útil após o pedido. Onde as condições geográficas permitirem, a entrega no mesmo dia ou em quatro horas pode ser feita mediante uma taxa adicional. Se precisar de auxílio, entre em contato com o Centro de suporte técnico da HP para que um técnico o ajude por telefone. A HP especifica nos materiais fornecidos com a peça CSR de reposição se a peça com defeito deve ser devolvida à HP. Nos casos em que isso for necessário, é preciso enviar a peça com defeito à HP dentro do período determinado, normalmente cinco (5) dias úteis. A peça com defeito deve ser enviada com a documentação correspondente no material de transporte fornecido. Caso não o faça, a HP poderá cobrar a reposição. Para as peças de reparo feito pelo cliente, a HP paga todas as despesas de transporte e de devolução da peça e determina a transportadora/serviço postal a ser utilizado.

Para obter mais informações sobre o programa de reparo feito pelo cliente da HP, entre em contato com o fornecedor de serviços local. Para o programa norte-americano, visite o site da HP (<http://www.hp.com/go/selfrepair>).

カスタマーセルフリペア

修理時間を短縮し、故障部品の交換における高い柔軟性を確保するために、HP製品には多数のCSR部品があります。診断の際に、CSR部品を使用すれば修理ができるとHP（HPまたはHP正規保守代理店）が判断した場合、HPはその部品を直接、お客様に発送し、お客様に交換していただきます。CSR部品には以下の2通りがあります。

- **必須** - カスタマーセルフリペアが必須の部品。当該部品について、もしもお客様がHPに交換作業を依頼される場合には、その修理サービスに関する交通費および人件費がお客様に請求されます。
- **任意** - カスタマーセルフリペアが任意である部品。この部品もカスタマーセルフリペア用です。当該部品について、もしもお客様がHPに交換作業を依頼される場合には、お買い上げの製品に適用される保証サービス内容の範囲内においては、別途費用を負担していただくことなく保証サービスを受けることができます。

注： HP製品の一部の部品は、カスタマーセルフリペア用ではありません。製品の保証を継続するためには、HPまたはHP正規保守代理店による交換作業が必須となります。部品カタログには、当該部品がカスタマーセルフリペア除外品である旨が記載されています。

部品供給が可能な場合、地域によっては、CSR部品を翌営業日に届くように発送します。また、地域によっては、追加費用を負担いただくことにより同日または4時間以内に届くように発送することも可能な場合があります。サポートが必要なときは、HPの修理受付窓口に電話していただければ、技術者が電話でアドバイスします。交換用のCSR部品または同梱物には、故障部品をHPに返送する必要があるかどうかが表示されています。故障部品をHPに返送する必要がある場合は、指定期限内（通常は5営業日以内）に故障部品をHPに返送してください。故障部品を返送する場合は、届いた時の梱包箱に関連書類とともに入れてください。故障部品を返送しない場合、HPから部品費用が請求されます。カスタマーセルフリペアの際には、HPは送料および部品返送費を全額負担し、使用する宅配便会社や運送会社を指定します。

客戶自行維修

HP 產品提供許多客戶自行維修 (CSR) 部件，以尽可能縮短維修時間和在更換缺陷部件方面提供更大的靈活性。如果在診斷期間 HP（或 HP 服務提供商或服務合作夥伴）確定可以通過使用 CSR 部件完成維修，HP 將直接把該部件發送給您進行更換。有兩類 CSR 部件：

- **強制性的** — 要求客戶必須自行維修的部件。如果您請求 HP 更換這些部件，則必須為該服務支付差旅費和人工費用。
- **可選的** — 客戶可以選擇是否自行維修的部件。這些部件也是為客戶自行維修設計的。不過，如果您要求 HP 為您更換這些部件，則根據為您的產品指定的保修服務類型，HP 可能收取或不再收取任何附加費用。

注：某些 HP 部件的設計並未考慮客戶自行維修。為了滿足客戶保修的需要，HP 要求授權服務提供商更換相關部件。這些部件在部件圖解目錄中標記為“否”。

CSR 部件將在下一個工作日發運（取決於備貨情況和允許的地理範圍）。在允許的地理範圍內，可在當天或四小時內發運，但要收取額外費用。如果需要幫助，您可以致電 HP 技術支持中心，將會有技術人員通過電話為您提供幫助。HP 會在隨更換的 CSR 部件發運的材料中指明是否必須將有缺陷的部件返還給 HP。如果要求您將有缺陷的部件返還給 HP，那麼您必須在規定期限內（通常是五 (5) 個工作日）將缺陷部件發給 HP。有缺陷的部件必須隨所提供的發運材料中的相關文件一起返還。如果未能送還有缺陷的部件，HP 可能會要求您支付更換費用。客戶自行維修時，HP 將承擔所有相關運輸和部件返回費用，並指定快遞商/承運商。

有關 HP 客戶自行維修計劃的詳細信息，請與您當地的服務提供商聯繫。有關北美地區的計劃，請訪問 HP 網站 (<http://www.hp.com/go/selfrepair>)。

客戶自行維修

HP 產品設計了許多「客戶自行維修」(CSR) 的零件以減少維修時間，並且使得更換瑕疵零件時能有更大的彈性。如果在診斷期間 HP（或 HP 服務供應商或維修夥伴）辨認出此項維修工作可以藉由使用 CSR 零件來完成，則 HP 將直接寄送該零件給您作更換。CSR 零件分為兩種類別：

- **強制的** — 客戶自行維修所使用的零件是強制性的。如果您要求 HP 更換這些零件，HP 將會向您收取此服務所需的外出費用與勞動成本。
- **選購的** — 客戶自行維修所使用的零件是選購的。這些零件也設計用於客戶自行維修之用。不過，如果您要求 HP 為您更換，則可能需要也可能不需要負擔額外的費用，端視針對此產品指定的保固服務類型而定。

備註：某些 HP 零件沒有消費者可自行維修的設計。為符合客戶保固，HP 需要授權的服務供應商更換零件。這些零件在圖示的零件目錄中，被標示為「否」。

基於材料取得及環境允許的情況下，CSR 零件將於下一個工作日以快遞寄送。在環境的允許下當天或四小時內送達，則可能需要額外的費用。若您需要協助，可致電「HP 技術支援中心」，會有一位技術人員透過電話來協助您。不論損壞的零件是否必須退回，HP 皆會在與 CSR 替換零件一起運送的材料中註明。若要將損壞的零件退回 HP，您必須在指定的一段時間內（通常為五 (5) 個工作天），將損壞的零件寄回 HP。損壞的零件必須與寄送資料中隨附的相關技術文件一併退還。如果無法退還損壞的零件，HP 可能向您收取替換費用。針對客戶自行維修情形，HP 將負責所有運費及零件退還費用並指定使用何家快遞/貨運公司。

如需 HP 的「客戶自行維修」方案詳細資訊，請連絡您當地的服務供應商。至於北美方案，請參閱 HP 網站 (<http://www.hp.com/go/selfrepair>)。

고객 셀프 수리

HP 제품은 수리 시간을 최소화하고 결함이 있는 부품 교체 시 더욱 융통성을 발휘할 수 있도록 하기 위해 고객 셀프 수리(CSR) 부품을 다량 사용하여 설계되었습니다. 진단 기간 동안 HP(또는 HP 서비스 공급업체 또는 서비스 협력업체)에서 CSR 부품을 사용하여 수리가 가능하다고 판단되면 HP는 해당 부품을 바로 사용자에게 보내어 사용자가 교체할 수 있도록 합니다. CSR 부품에는 두 가지 종류가 있습니다.

- **고객 셀프 수리가 의무 사항인 필수 부품.** 사용자가 HP에 이 부품의 교체를 요청할 경우 이 서비스에 대한 출장비 및 작업비가 청구됩니다.
- **고객 셀프 수리가 선택 사항인 부품.** 이 부품들도 고객 셀프 수리가 가능하도록 설계되었습니다. 하지만 사용자가 HP에 이 부품의 교체를 요청할 경우 사용자가 구입한 제품에 해당하는 보증 서비스 유형에 따라 추가 비용 없이 교체가 가능할 수 있습니다.

참고: 일부 HP 부품은 고객 셀프 수리가 불가능하도록 설계되었습니다. HP는 만족스러운 고객 보증을 위해 공인 서비스 제공업체를 통해 부품을 교체하도록 하고 있습니다. 이러한 부품들은 Illustrated Parts Catalog에 "No"라고 표시되어 있습니다.

CSR 부품은 재고 상태와 지리적 조건이 허용하는 경우 다음 영업일 납품이 가능하도록 배송이 이루어집니다. 지리적 조건이 허용하는 경우 추가 비용이 청구되는 조건으로 당일 또는 4시간 배송이 가능할 수도 있습니다. 도움이 필요하시면 HP 기술 지원 센터로 전화하십시오. 전문 기술자가 전화로 도움을 줄 것입니다. HP는 결함이 발생한 부품을 HP로 반환해야 하는지 여부를 CSR 교체 부품과 함께 배송된 자료에 지정합니다. 결함이 발생한 부품을 HP로 반환해야 하는 경우에는 지정된 기간 내(통상 영업일 기준 5일)에 HP로 반환해야 합니다. 이 때 결함이 발생한 부품은 제공된 포장 재료에 넣어 관련 설명서와 함께 반환해야 합니다. 결함이 발생한 부품을 반환하지 않는 경우 HP가 교체 부품에 대해 비용을 청구할 수 있습니다. 고객 셀프 수리의 경우, HP는 모든 운송 및 부품 반환 비용을 부담하며 이용할 운송업체 및 택배 서비스를 결정합니다.

HP 고객 셀프 수리 프로그램에 대한 자세한 내용은 가까운 서비스 제공업체에 문의하십시오. 북미 지역의 프로그램에 대해서는 HP 웹 사이트(<http://www.hp.com/go/selfrepair>)를 참조하십시오.

Acronyms and abbreviations

ACU

Array Configuration Utility

AMP

Advanced Memory Protection

API

application program interface

ASR

Automatic Server Recovery

CSR

certificate signing request

HP SSA

HP Smart Storage Administrator

HP SUM

HP Smart Update Manager

iLO

Integrated Lights-Out

IML

Integrated Management Log

JSON

JavaScript Object Notation

KVM

keyboard, video, and mouse

PCIe

Peripheral Component Interconnect Express

POST

Power-On Self Test

RBSU

ROM-Based Setup Utility

REST

representational state transfer

SAS

serial attached SCSI

SPP

HP Service Pack for ProLiant

SUV

serial, USB, video

TPM

Trusted Platform Module

UEFI

Unified Extensible Firmware Interface

USB

universal serial bus

VCA

Version Control Agent

VCRM

Version Control Repository Manager

Documentation feedback

HP is committed to providing documentation that meets your needs. To help us improve the documentation, send any errors, suggestions, or comments to Documentation Feedback (<mailto:docsfeedback@hp.com>). Include the document title and part number, version number, or the URL when submitting your feedback.

Index

A

access panel 19
ACU (Array Configuration Utility) 60
Advanced ECC memory 34, 35
array controllers 18, 26
ASR (Automatic Server Recovery) 60
authorized reseller 69
Automatic Server Recovery (ASR) 60

B

Basic Input/Output System (BIOS) 51, 60
batteries, replacing 64
battery 9, 27, 46, 64
battery replacement notice 65
before you contact HP 69
BIOS (Basic Input/Output System) 51, 60
BIOS upgrade 51, 60
blade blank 20, 23
BSMI notice 65
buttons 6

C

cables 46, 47, 48
cabling 11, 46, 47
Canadian notice 65
Care Pack 63
Change Control 63
compliance 65
components 6
components, identification 6
configuration of system 24, 51
connecting to the network 22
connectors 6
contact information 69
contacting HP 69
controller 15, 18, 26
CSR (customer self repair) 69
customer self repair (CSR) 69

D

Declaration of Conformity 65, 66

default settings 34
device mapping 21
diagnosing problems 50
diagnostic tools 51, 55, 60
diagnostics utility 55
DIMM baffles 14
DIMM identification 33
DIMM installation guidelines 33, 35
DIMM population guidelines 35
DIMM slot locations 9, 10
DIMM slots 35
DIMMs 9, 10, 33, 36
DIMMs, dual-rank 33
DIMMs, installing 36
DIMMs, quad-rank 33
DIMMs, single- and dual-rank 33
disposal, battery 65
documentation 79
documentation feedback 79
drive bays 6
drive cage, removing 16
drivers 61
drives 8, 25

E

electrostatic discharge 67
enclosure connector 9
environmental specifications 68
Erase Utility 51, 55
error messages 50
European Union notice 65
external cables 47

F

features 6, 60
Federal Communications Commission (FCC)
notice 65
firmware 62
firmware update 56, 62
firmware upgrade utility, troubleshooting 50
firmware, updating 56, 62
firmware, upgrading 62
front panel buttons 6

- front panel components 6
- front panel LEDs 6
- front panel/drive cage assembly 16

G

- grounding methods 67

H

- hard drive backplane connector 9
- hard drive bays 6
- hard drive LEDs 8
- hard drives, determining status of 8
- hardware options 25
- hardware options installation 25
- health driver 60
- health LEDs 6
- health status LED bar 6
- heatsink 37
- heatsink blank 37
- help resources 69
- HP c-Class Blade SUV Cable 6, 47
- HP contact information 69
- HP Insight Diagnostics 55
- HP Insight Diagnostics survey functionality 55
- HP Insight Remote Support software 54, 63
- HP Service Pack for ProLiant 51, 55, 56
- HP SmartMemory 32
- HP technical support 63, 69
- HP website 69
- HP, contacting 69

I

- iLO (Integrated Lights-Out) 51, 52, 53
- IML (Integrated Management Log) 51, 53
- Insight Diagnostics 55, 61
- installation, enclosure 20
- installation, server blade 23
- installation, server options 25
- installing hardware 25
- installing memory 36
- installing server blade options 25
- installing server options 25
- installing the access panel 19
- Integrated Lights-Out (iLO) 51, 53
- Integrated Management Log (IML) 53
- Intelligent Provisioning 51, 55
- interconnect bay numbering 21
- interconnect module 21
- interconnect modules, installing 21

- internal USB connector 9

J

- Japanese notice 65

L

- LED, health 6
- LED, power button 6
- LED, system power 6
- LEDs 8
- LEDs, hard drive 8
- LEDs, NIC 6
- LEDs, SAS hard drive 8
- LEDs, troubleshooting 50
- LEDs, unit identification (UID) 6
- local KVM, accessing a server blade with 47
- local media devices, accessing 48

M

- maintenance guidelines 61
- memory 10, 31, 33, 35
- memory configurations 34, 35
- memory options 31
- memory subsystem architecture 32
- memory, Advanced ECC 34
- memory, configuration requirements 34
- memory, configuring 34, 35
- memory, lockstep 36
- memory, online spare 35
- mezzanine board connectors 9
- mezzanine boards 29
- mezzanine card 29
- mezzanine connector covers 29
- mezzanine connectors 9, 10
- modifications, FCC notice 65

N

- network connections 22
- NIC (network interface card) 9

O

- online spare memory 35, 36
- operating systems 62
- operations 12
- options installation 25

P

- passwords 45
- phone numbers 69
- population guidelines, Advanced ECC 35
- power button LED 6
- power fault 7
- Power On/Standby button 6
- powering down 12
- preparation procedures 12
- problem diagnosis 50
- processor socket 9
- processors 9, 37
- Product ID 59

Q

- QuickSpecs 33, 46, 51

R

- recovery key 45
- redundant ROM 61
- regulatory compliance identification numbers 65
- regulatory compliance notices 65
- release button 6
- removing the server blade 13
- resources 69
- ROM redundancy 61
- ROM-Based Setup Utility (RBSU) 57
- ROMPaq utility 51, 60, 61

S

- safety considerations 61, 65, 67
- safety information 61, 65
- SAS controller 15
- SAS drives 8
- scripted installation 56
- serial connector 11
- serial label pull tab 6
- serial number 59
- server blade release lever 6
- server features and options 25
- server options, installing 25
- server specifications 68
- setup 20, 21
- single-processor Lockstep population order 36
- Smart Update Firmware DVD 55
- Smart Update Manager 51, 56
- software 62
- software upgrades 62

- specifications 68
- specifications, environmental 68
- specifications, server blade 68
- SPP 56
- static electricity 67
- storage controller 18, 26
- support 69
- supported operating systems 62
- SUV connector 6, 11, 47, 48
- switches, interconnect 21
- system board battery 9, 64
- system components 6
- system configuration settings 61
- System Erase Utility 55
- system maintenance switch 9
- system power LED 6
- system, keeping current 61

T

- Taiwan battery recycling notice 65
- technical support 63, 69
- telephone numbers 69
- TPM (Trusted Platform Module) 42, 43, 45
- troubleshooting 50
- troubleshooting resources 50
- troubleshooting, firmware upgrade utility 50
- Trusted Platform Module (TPM) 42, 43, 45

U

- updating the system ROM 61
- USB connector 11
- USB devices 47
- USB support 61
- utilities 51, 60
- utilities, deployment 51, 56

V

- VCA (Version Control Agent) 62
- VCRM (Version Control Repository Manager) 62
- Version Control Agent (VCA) 62
- Version Control Repository Manager (VCRM) 62
- video connector 11
- video devices 47

W

- website, HP 69

Free Manuals Download Website

<http://myh66.com>

<http://usermanuals.us>

<http://www.somanuals.com>

<http://www.4manuals.cc>

<http://www.manual-lib.com>

<http://www.404manual.com>

<http://www.luxmanual.com>

<http://aubethermostatmanual.com>

Golf course search by state

<http://golfingnear.com>

Email search by domain

<http://emailbydomain.com>

Auto manuals search

<http://auto.somanuals.com>

TV manuals search

<http://tv.somanuals.com>