

Installation Instructions

hp ProLiant DL580 Storage Server



© Copyright 2004 Hewlett-Packard Development Company, L.P.

Hewlett-Packard Company makes no warranty of any kind with regard to this material, including, but not limited to, the implied warranties of merchantability and fitness for a particular purpose. Hewlett-Packard shall not be liable for errors contained herein or for incidental or consequential damages in connection with the furnishing, performance, or use of this material.

This document contains proprietary information, which is protected by copyright. No part of this document may be photocopied, reproduced, or translated into another language without the prior written consent of Hewlett-Packard. The information contained in this document is subject to change without notice.

Hewlett-Packard Company shall not be liable for technical or editorial errors or omissions contained herein. The information is provided "as is" without warranty of any kind and is subject to change without notice. The warranties for Hewlett-Packard Company products are set forth in the express limited warranty statements accompanying such products. Nothing herein should be construed as constituting an additional warranty.

Printed in the U.S.A.

HP ProLiant DL580 Storage Server
Installation Instructions
Second Edition (September 2004)
Part Number: 352401-002



This document is for the person who installs, administers, and troubleshoots servers and storage systems. HP assumes that you are qualified in servicing computer equipment and trained in recognizing hazards in products with hazardous energy levels.

Storage server software

The HP ProLiant DL580 Storage Server is preloaded with the Windows® Storage Server 2003 operating system. Prior to power up, deployment instructions found in the "*Installation Guide*" should be followed to enable the successful configuration of the storage server in addition to the guidelines found below.

Required Items:

- Installation Guide
- Administration Guide

To begin the first-time startup procedure:

- Be sure that the server is safely installed in an adequate environment.
- Be sure that the power cables and peripheral devices are plugged in and AC power is supplied to the server.
- Refer to the Installation Guide prior to powering up the server.

Rack planning resources

A rack resource kit ships with all HP branded or Compaq branded 9000, 10000, and H9 series racks. For more information on the content of each resource, refer to the rack resource kit documentation.

If you intend to deploy and configure multiple servers in a single rack, refer to the white paper on high-density deployment at the HP website.

<http://www.hp.com/products/servers/platforms>

Important safety information



WARNING: This product contains energy levels that are considered hazardous. To reduce the risk of personal injury from electric shock and hazardous energy, individuals who are knowledgeable of the procedures, precautions, and hazards associated with equipment containing hazardous energy circuits must perform the installation and servicing of this product.

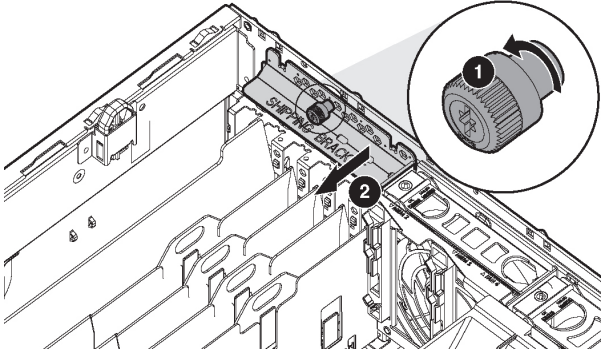


WARNING: To reduce the risk of personal injury or damage to the equipment:

- Obtain adequate assistance to lift and stabilize the chassis during installation or removal.
- Be aware that the product becomes unstable when it is not fastened to the rails.
- Before removing the server from the rack, remove all hot-plug power supplies, power modules, and drives to reduce the overall weight of the product.
- Extend leveling jacks fully to the floor and make sure that the full weight of the rack rests on the leveling jacks.
- Install stabilizing feet on single-rack installations.
- Couple multiple-racks.
- Only extend one rack component at a time. The rack will become unstable if more than one device is extended.

1 Prepare storage server

Remove shipping bracket from the PCI Basket, loosen the thumbscrew (1) and remove and discard the shipping bracket (2).



NOTE: The shipping bracket is used only to secure the PCI latches during shipment.

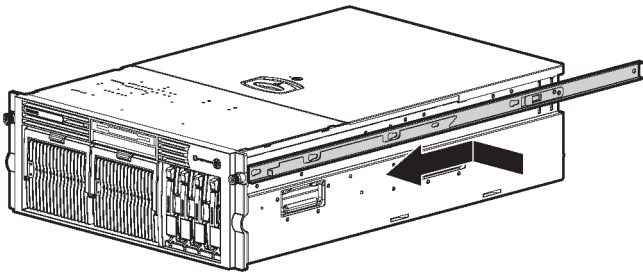
Install options

If you are installing additional options, such as expansion boards, processors, hard drives, or memory, you can refer to the instructions included with this option purchase or the setup and installation guide.

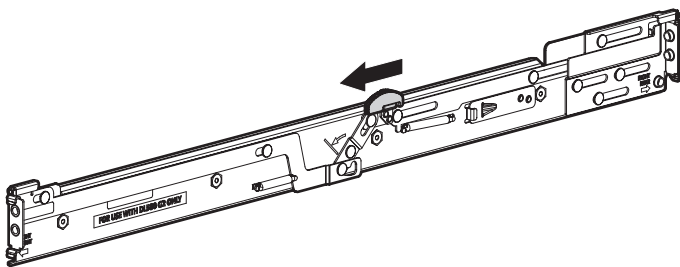
NOTE: For quick start memory guidelines, refer to the hood labels on the server.

2 Storage server installation

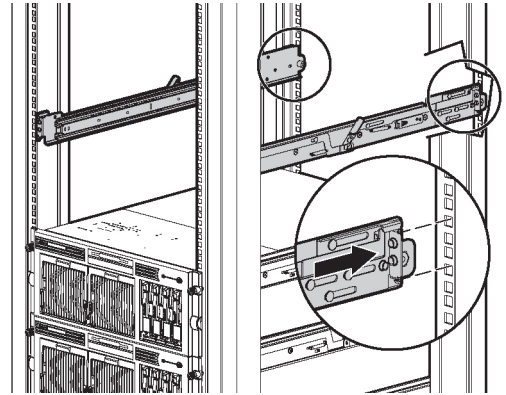
1. Install the rails on both sides of the chassis.



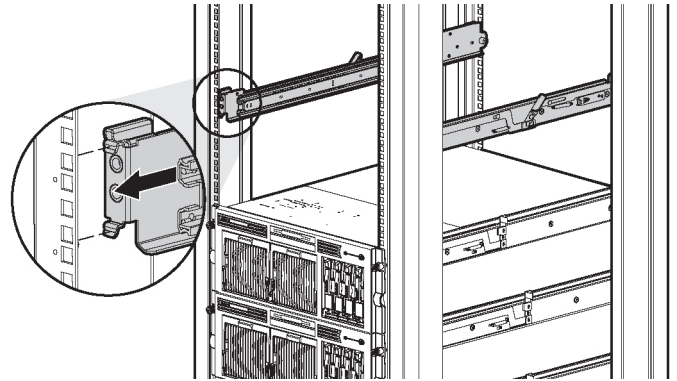
2. Pull the rail compression lever toward you.



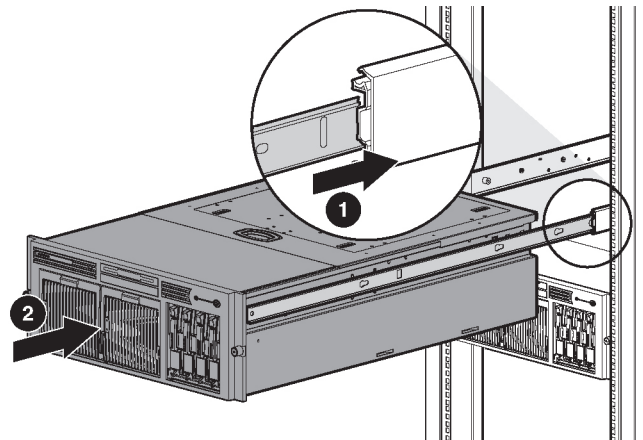
3. Install the rear of the rail into the designated holes in the rear of the rack.



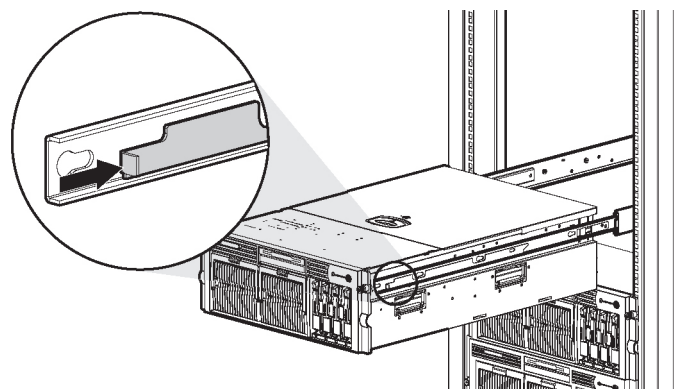
4. Install the front of the rail into the designated holes in the front of the rack.



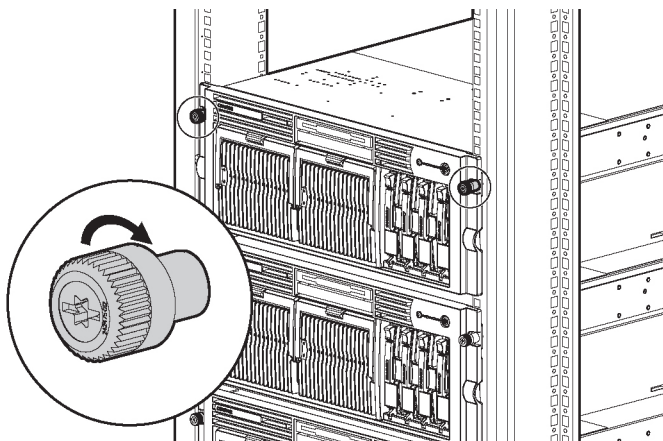
5. Install the rails on the chassis into the rails in the rack.



6. Slide the server onto the rack rails until the locking pin engages.



7. Tighten the thumbscrews to secure the server to the rack.



3 Power cord and cables

The ProLiant DL580 server can operate either on a 120-V or a 240-VAC input. Two AC inlets are on the rear of the server, one for each power supply installed.



WARNING: To reduce the risk of electric shock or damage to the equipment:

- Do not disable the power cord-grounding plug. The grounding plug is an important safety feature.
- Plug the power cord into a grounded (earthed) electrical outlet that is easily accessible at all times.
- Disconnect power from the server by unplugging the power cord from either the electrical outlet or the server.

To connect the power cord:

1. Locate the correct voltage line cord that came with the server. Remove any labels that cover the cord connector.

IMPORTANT: To connect the power cord, plug it into the appropriate power supply AC inlet. The power connector is connector number one for the primary (populated) power supply and is connector number two for the redundant hot-plug power supply.

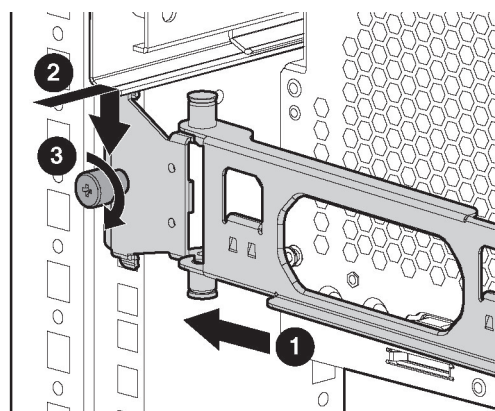
2. Plug the other end of the power cord into a grounded electrical outlet or UPS, depending on power cord type.
3. Connect the peripheral device cables to the server, and then route the power cord and device cables through the cable management arm.

4 Cable management arm

Attaching cable management arm to a square-hole rack

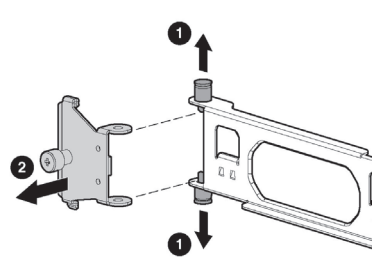
1. Slide the bracket onto the rack (1).
2. Insert the bracket hooks into the square holes on the rack, and then push down to secure (2).

3. Tighten the thumbscrew to stabilize the cable management arm on the rack (3).

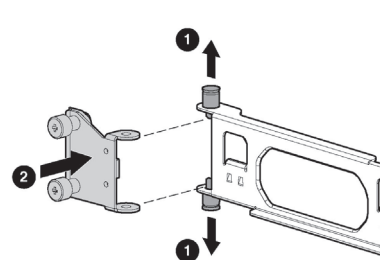


Attaching the cable management arm to a round-hole rack

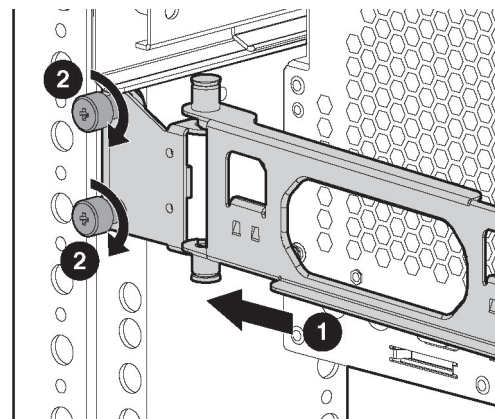
1. Remove the square-hole bracket from the cable management arm by pulling out the spring-activated fasteners (1), and then pulling out the bracket (2).



2. Attach the round-hole bracket by pulling the spring-activated fasteners on the cable management arm out (1), and then inserting the bracket between them (2).

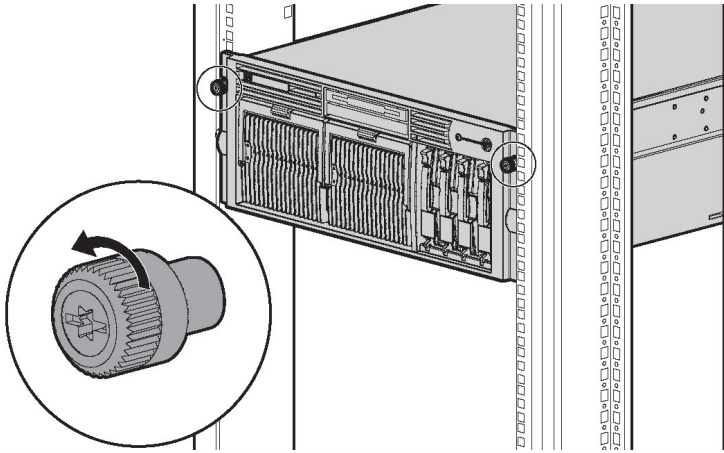


3. Slide the bracket onto the rack (1).
4. Attach the cable management arm to the round-hole rack, and then secure the thumbscrews (2).

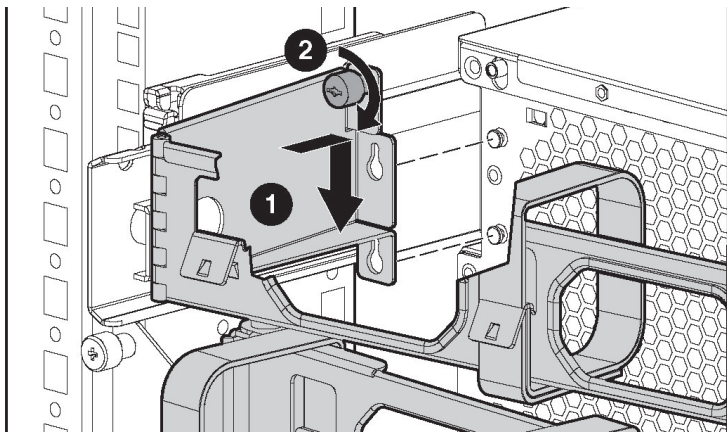


Attaching the cable management arm to the server

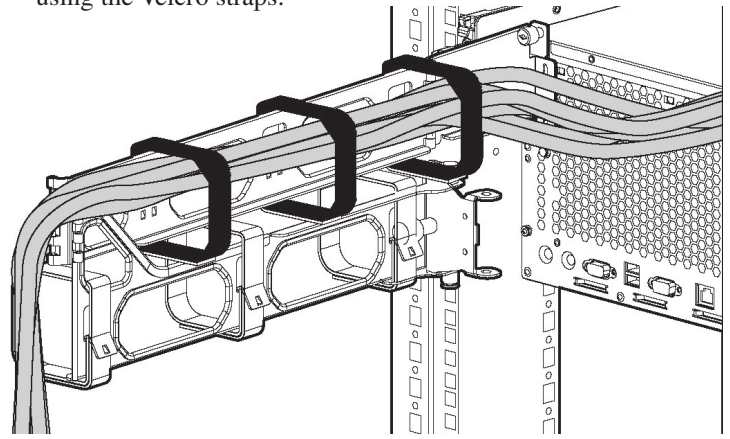
1. Loosen the thumbscrews on the front of the server to enable the server to slide forward.



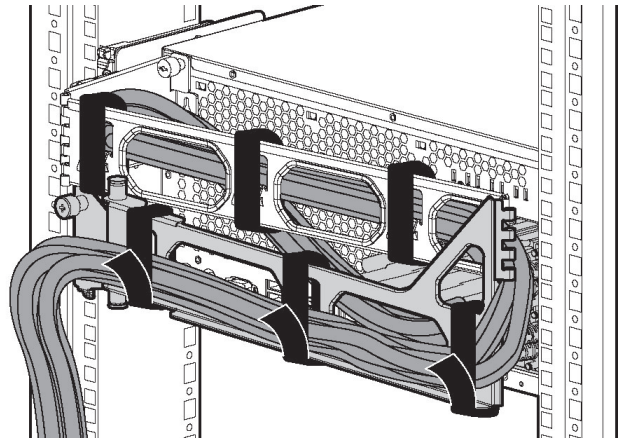
2. Align the keyholes on the cable management arm with the posts on the server (1), and then secure with the thumbscrew (2).



3. Secure the cables to the inside of the cable management arm using the Velcro straps.



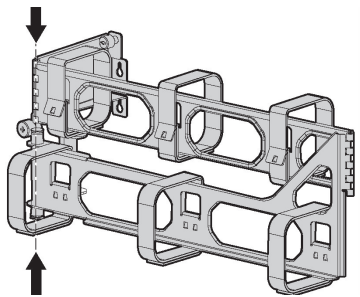
4. Close the cable management arm and finish securing the cables.



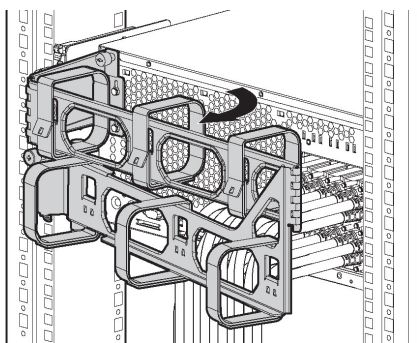
The hardware installation is now complete. Please refer to the “*HP ProLiant Storage Server Installation Guide*” located on the Documentation CD for configuration and setup instructions.

Securing the cables to the cable management arm

1. Align the pivot points of the cable management arm by sliding the server as needed.



2. Pivot the arm away from the server.



Product documentation

<i>Installation Instructions</i>	rack installation poster
<i>Rack template</i>	tool used during rack installation
<i>Documentation CD</i>	contains: <ul style="list-style-type: none"> ■ Administration guide ■ Installation guide
<i>Installation Guide</i>	requirements and configuration options
<i>Administration Guide</i>	provides administrative and procedural instructions to manage the storage server
<i>HP Warranty fulfillment document</i>	provides instructions to obtain a printed warranty
<i>HP Important Safety Information booklet</i>	Safety information for HP storage, power, networking and rack products

Register your storage server

To register your product visit the HP Registration web site at:

<http://www.register.hp.com>

Free Manuals Download Website

<http://myh66.com>

<http://usermanuals.us>

<http://www.somanuals.com>

<http://www.4manuals.cc>

<http://www.manual-lib.com>

<http://www.404manual.com>

<http://www.luxmanual.com>

<http://aubethermostatmanual.com>

Golf course search by state

<http://golfingnear.com>

Email search by domain

<http://emailbydomain.com>

Auto manuals search

<http://auto.somanuals.com>

TV manuals search

<http://tv.somanuals.com>