

HP ProLiant ML310e Gen8 v2 Server User Guide

Abstract

This document is for the person who installs, administers, and troubleshoots servers and storage systems. HP assumes you are qualified in the servicing of computer equipment and trained in recognizing hazards in products with hazardous energy levels.



Part Number: 719821-001a
April 2014
Edition: 1

© Copyright 2013, 2014 Hewlett-Packard Development Company, L.P.

The information contained herein is subject to change without notice. The only warranties for HP products and services are set forth in the express warranty statements accompanying such products and services. Nothing herein should be construed as constituting an additional warranty. HP shall not be liable for technical or editorial errors or omissions contained herein.

Microsoft® and Windows® are U.S. registered trademarks of Microsoft Corporation.

Contents

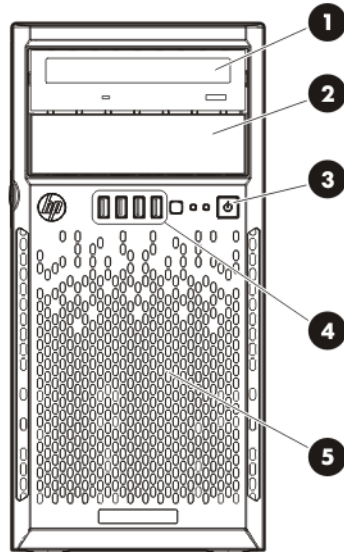
Component identification	6
Front panel components.....	6
Front panel LEDs and buttons.....	7
Rear panel components.....	8
Rear panel LEDs and buttons.....	9
System board components.....	10
DIMM slot locations.....	11
PCIe expansion slot definitions.....	11
System maintenance switch.....	11
NMI functionality.....	12
Drive numbering.....	12
Hot-plug drive LED definitions.....	13
FBWC module LED definitions.....	14
Fan locations.....	15
Operations	16
Power up the server.....	16
Power down the server.....	16
Unlock the tower bezel.....	17
Remove the tower bezel.....	17
Install the tower bezel.....	17
Remove the access panel.....	18
Install the access panel.....	19
Remove the air baffle.....	19
Install the air baffle.....	20
Setup	22
Optional installation services.....	22
Rack planning resources.....	22
Optimum environment.....	22
Space and airflow requirements.....	23
Temperature requirements.....	23
Power requirements.....	23
Electrical grounding requirements.....	23
Server warnings and cautions.....	24
Rack warnings.....	24
Identifying the contents of the server shipping carton.....	25
Installing hardware options.....	25
Installing the server into the rack.....	25
Installing the operating system.....	26
Powering on and selecting boot options.....	27
Registering the server.....	27
Hardware options installation	28
Introduction.....	28
Drive options.....	28
Drive installation guidelines.....	28

Installing a non-hot-plug drive	28
Installing a hot-plug drive	30
Drive cage options	31
Four-bay LFF hot-plug drive backplane option	31
Eight-bay SFF hot-plug drive cage option	34
Controller options	36
Installing a storage controller	36
Installing the FBWC module and capacitor pack	37
Optical drive option	39
Memory options	41
HP SmartMemory	42
DIMM identification	42
Single-rank and dual-rank DIMMs	43
Memory subsystem architecture	43
ECC memory	43
General DIMM slot population guidelines	44
Installing a DIMM	44
Expansion board options	45
HP Trusted Platform Module option	49
Installing the Trusted Platform Module board	49
Retaining the recovery key/password	51
Enabling the Trusted Platform Module	51
RPS enablement option	51
Setting up the HP PS1810-24G Switch (optional)	55
Cabling	59
Cabling overview	59
System fan cabling	59
Storage cabling	60
Four-bay LFF drive cabling	60
Eight-bay SFF drive cabling	62
Optical drive cabling	62
Power supply cabling	64
Integrated power supply cabling	64
Redundant power supply cabling	64
Capacitor pack cabling	65
Software and configuration utilities	66
Server mode	66
HP product QuickSpecs	66
HP iLO Management Engine	66
HP iLO	66
Intelligent Provisioning	68
Erase Utility	69
HP Insight Remote Support software	70
Scripting Toolkit	70
HP Service Pack for ProLiant	70
HP Smart Update Manager	71
HP ROM-Based Setup Utility	71
Using RBSU	72
Auto-configuration process	72
Boot options	73
Re-entering the server serial number and product ID	73
Utilities and features	73

Array Configuration Utility	73
Option ROM Configuration for Arrays.....	74
ROMPaq utility.....	75
Automatic Server Recovery	75
USB support	75
Redundant ROM support.....	76
Keeping the system current.....	76
Drivers	76
Software and firmware	76
Version control.....	76
HP operating systems and virtualization software support for ProLiant servers	77
HP Technology Service Portfolio.....	77
Change control and proactive notification	77
Troubleshooting	78
Troubleshooting resources	78
System battery replacement.....	79
Regulatory information	81
Safety and regulatory compliance.....	81
Turkey RoHS material content declaration	81
Ukraine RoHS material content declaration	81
Warranty information	81
Electrostatic discharge.....	82
Preventing electrostatic discharge	82
Grounding methods to prevent electrostatic discharge.....	82
Specifications.....	83
Environmental specifications.....	83
Server specifications.....	83
Power supply specifications.....	83
HP 350 W 4U Integrated Power Supply	84
HP 460 W CS Gold Hot-plug Power Supply (92% efficiency)	84
Hot-plug power supply calculations	85
Support and other resources	86
Before you contact HP	86
HP contact information.....	86
Customer Self Repair	86
Acronyms and abbreviations.....	94
Documentation feedback	98
Index.....	99

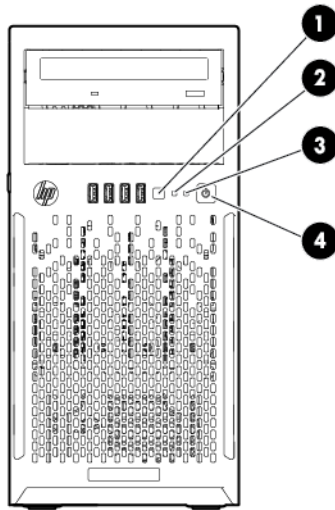
Component identification

Front panel components



Item	Description
1	Optical drive (optional)
2	Media drive bay
3	Power On/Standby button and system power LED
4	USB connectors
5	Drive bays (inside)

Front panel LEDs and buttons

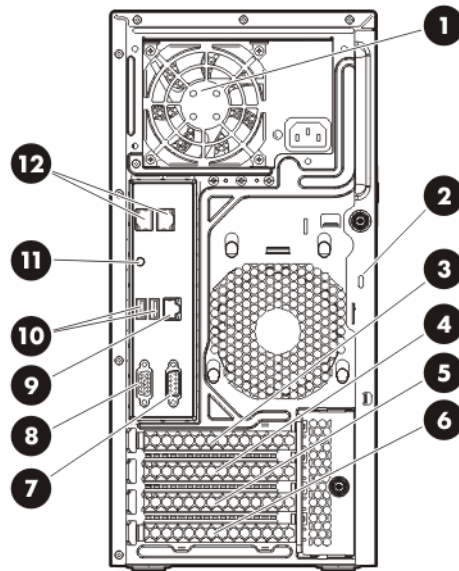


Item	Description	Status
1	UID button/LED	Solid blue = Activated Flashing blue (1 Hz/cycle per sec) = Remote management or firmware upgrade in progress Off = Deactivated
2	Health LED	Solid green = Normal Flashing amber = System degraded Flashing red (1 Hz/cycle per sec) = System critical Fast-flashing red (4 Hz/cycles per sec) = Power fault*
3	NIC status LED	Solid green = Link to network Flashing green (1 Hz/cycle per sec) = Network active Off = No network activity
4	Power On/Standby button and system power LED	Solid green = System on Flashing green (1 Hz/cycle per sec) = Performing power on sequence Solid amber = System in standby Off = No power present**

*To identify components in a degraded or critical state, see the Systems Insight Display LEDs, check iLO/BIOS logs, and reference the server troubleshooting guide.

**Facility power is not present, power cord is not attached, no power supplies are installed, power supply failure has occurred, or the power button cable is disconnected.

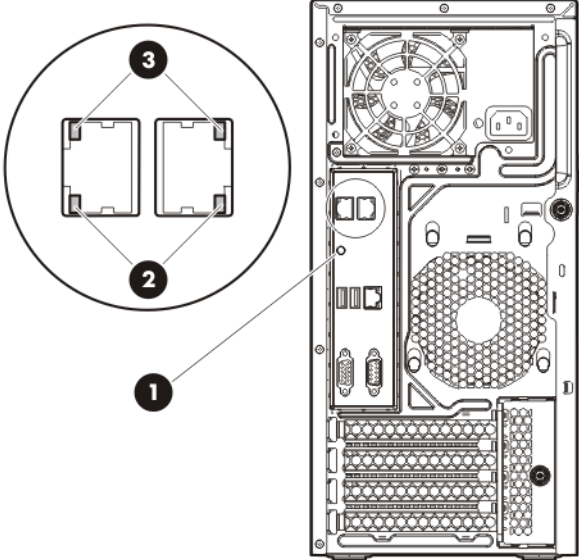
Rear panel components



Item	Description
1	Power supply
2	Kensington security slot
3	Slot 4 PCIe x16 (8, 4, 1)*
4	Slot 3 PCIe x8 (8, 4, 1)*
5	Slot 2 PCIe x8 (1)*
6	Slot 1 PCIe x4 (1)*
7	Serial connector
8	Video connector
9	Dedicated iLO port
10	USB 3.0 connectors
11	UID LED/button
12	NIC connectors

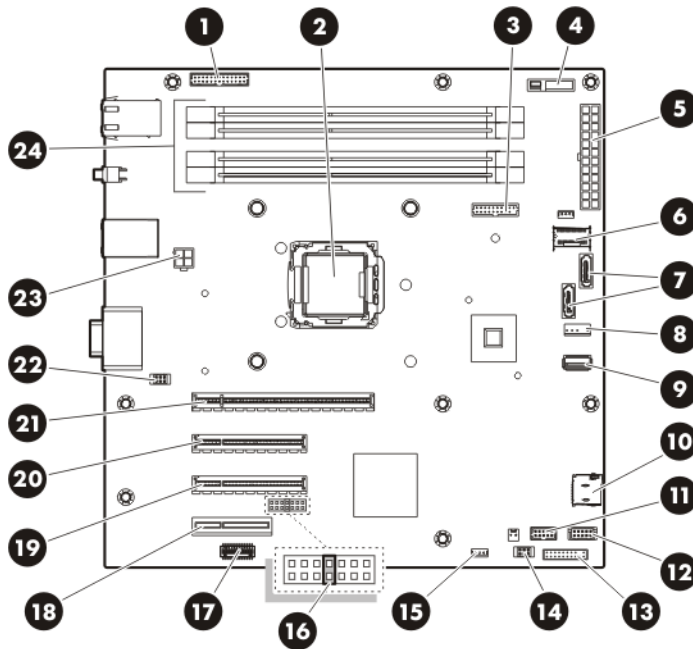
* For more information on the expansion slot specifications, see "PCIe expansion slot definitions."

Rear panel LEDs and buttons



Item	Description	Status
1	UID button/LED	Solid blue = Activated Flashing blue (1 Hz/cycle per sec) = Remote management or firmware upgrade in progress Off = Deactivated
2	NIC status LED	Solid Green = Activity exists Flashing green = Activity exists Off = No activity exists
3	NIC link LED	Solid green = Link exists Off = No link exists

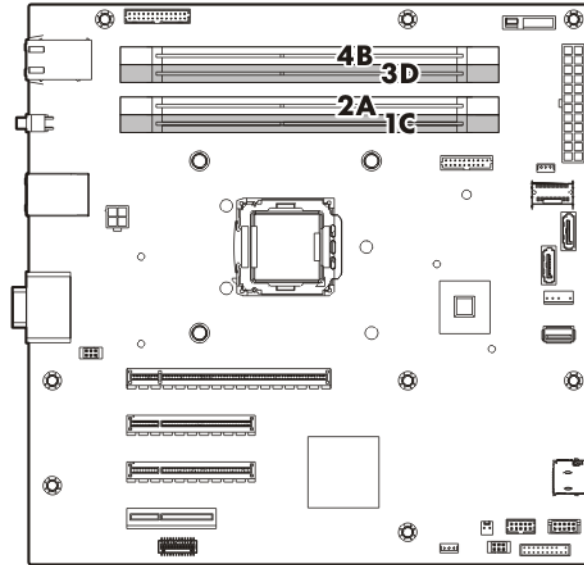
System board components



Item	Description
1	RPS connector
2	Processor socket
3	TPM connector
4	System battery
5	24-pin power supply connector
6	Mini-SAS connector
7	SATA connectors
8	Internal USB cable connector
9	Internal USB connector
10	Micro SD card slot
11	Front USB connector 2
12	Front USB connector 1
13	Front panel connector
14	Front system fan connector (fan 2)
15	Ambient thermal sensor connector
16	NMI header
17	System maintenance switch
18	Slot 1 PCIe2 x4 (1)*
19	Slot 2 PCIe2 x8 (1)*
20	Slot 3 PCIe3 x8 (8, 4, 1)*
21	Slot 4 PCIe3 x16 (8, 4, 1)*
22	Rear system fan connector (fan 1)
23	4-pin power supply connector
24	DIMM slots

* For more information on the expansion slot specifications, see "PCIe expansion slot definitions."

DIMM slot locations



DIMM slots are numbered 1 through 4. Letters are used for AMP mode DIMM ordering.

PCIe expansion slot definitions

Slot number	Type	Length	Height	Connector link width	Negotiable link width
1	PCIe2	Half	Full	x4	x1
2	PCIe2	Full	Full	x8	x1
3	PCIe3	Full	Full	x8	x8
4	PCIe3	Full	Full	x16	x8

System maintenance switch

Switch	Default	Function
1	Off	Off = No function On = iLO security is disabled
2	Off	Off = System configuration can be changed On = System configuration is locked
5	Off	Off = Power-on password is enabled On = Power-on password is disabled
6	Off	Off = No function On = ROM reads configuration as invalid
3, 4, 7, 8, 9, 10, 11, 12	—	Reserved

When the system maintenance switch position 6 is set to the On position, the system is prepared to erase all system configuration settings from both CMOS and NVRAM.



CAUTION: Clearing CMOS and/or NVRAM deletes configuration information. Be sure to properly configure the server or data loss could occur.

NMI functionality

An NMI crash dump creates a crash dump log before resetting a system which is not responding.

Crash dump log analysis is an essential part of diagnosing reliability problems, such as failures of operating systems, device drivers, and applications. Many crashes freeze a system, and the only available action for administrators is to restart the system. Resetting the system erases any information which could support problem analysis, but the NMI feature preserves that information by performing a memory dump before a system reset.

To force the system to invoke the NMI handler and generate a crash dump log, do one of the following:

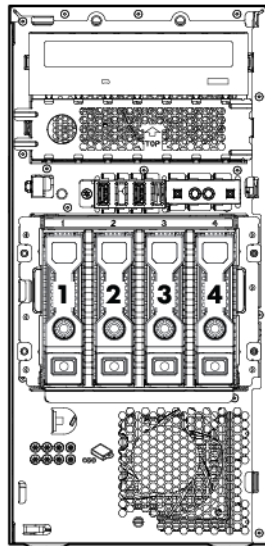
- Use the iLO Virtual NMI feature.
- Short the NMI header.

For more information, see the HP website

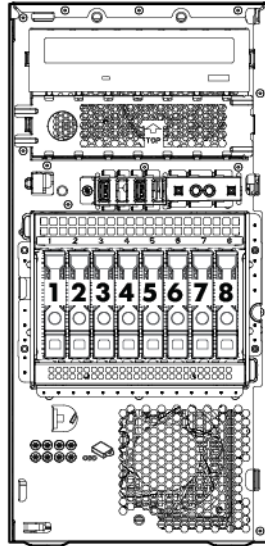
(<http://h20000.www2.hp.com/bc/docs/support/SupportManual/c00797875/c00797875.pdf>).

Drive numbering

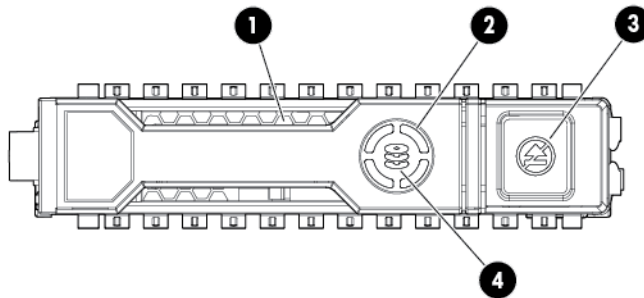
- Four-bay LFF drive model



- Eight-bay SFF drive model



Hot-plug drive LED definitions

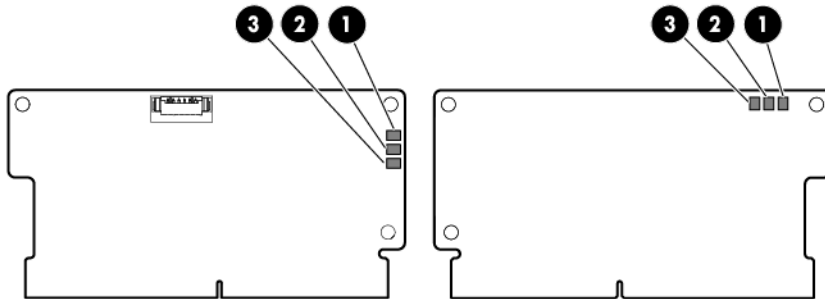


Item	LED	Status	Definition
1	Locate	Solid blue	The drive is being identified by a host application.
		Flashing blue	The drive carrier firmware is being updated or requires an update.
2	Activity ring	Rotating green	Drive activity
		Off	No drive activity
3	Do not remove	Solid white	Do not remove the drive. Removing the drive causes one or more of the logical drives to fail.
		Off	Removing the drive does not cause a logical drive to fail.
4	Drive status	Solid green	The drive is a member of one or more logical drives.
		Flashing green	The drive is rebuilding or performing a RAID migration, stripe size migration, capacity expansion, or logical drive extension, or is erasing.
		Flashing amber/green	The drive is a member of one or more logical drives and the system predicts the drive will fail.
		Flashing amber	The drive is not configured and the system predicts the drive will fail.

Item	LED	Status	Definition
		Solid amber	The drive has failed.
		Off	The drive is not configured by a RAID controller.

FBWC module LED definitions

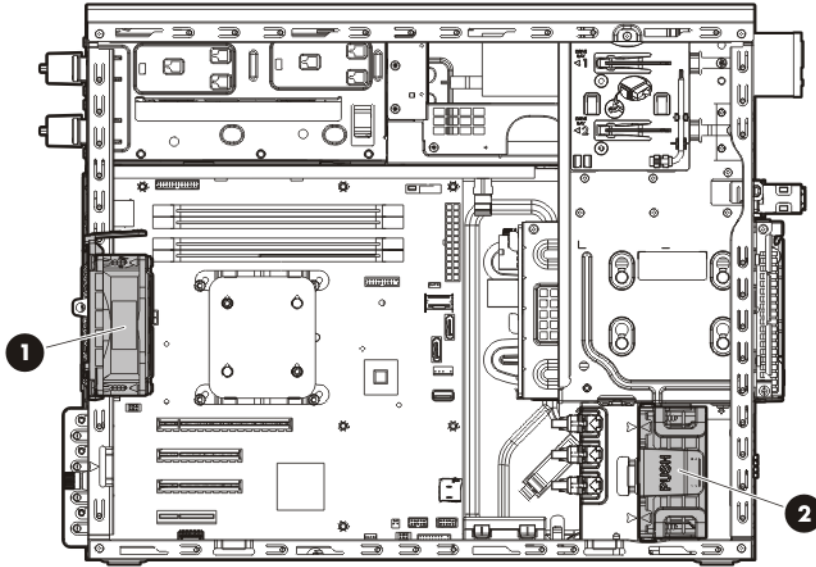
The FBWC module has three single-color LEDs (one amber and two green). The LEDs are duplicated on the reverse side of the cache module to facilitate status viewing.



1 - Amber	2 - Green	3 - Green	Interpretation
Off	Off	Off	The cache module is not powered.
Off	Flashing 0.5 Hz	Flashing 0.5 Hz	The cache microcontroller is executing from within its boot loader and receiving new flash code from the host controller.
Off	Flashing 1 Hz	Flashing 1 Hz	The cache module is powering up, and the capacitor pack is charging.
Off	Off	Flashing 1 Hz	The cache module is idle, and the capacitor pack is charging.
Off	Off	On	The cache module is idle, and the capacitor pack is charged.
Off	On	On	The cache module is idle, the capacitor pack is charged, and the cache contains data that has not yet been written to the drives.
Off	Flashing 1 Hz	Off	A backup is in progress.
Off	On	Off	The current backup is complete with no errors.
Flashing 1 Hz	Flashing 1 Hz	Off	The current backup failed, and data has been lost.
Flashing 1 Hz	Flashing 1 Hz	On	A power error occurred during the previous or current boot. Data may be corrupt.
Flashing 1 Hz	On	Off	An overtemperature condition exists.
Flashing 2 Hz	Flashing 2 Hz	Off	The capacitor pack is not attached.
Flashing 2 Hz	Flashing 2 Hz	On	The capacitor has been charging for 10 minutes, but has not reached sufficient charge to perform a full backup.
On	On	Off	The current backup is complete, but power fluctuations occurred during the backup.

1 - Amber	2 - Green	3 - Green	Interpretation
On	On	On	The cache module microcontroller has failed.

Fan locations



Item	Description
1	Rear system fan (fan 1, for processor cooling)
2	Front system fan (fan 2, for expansion board cooling)

Operations

Power up the server

1. Connect each power cord to the server.
2. Connect each power cord to the power source.
3. Press the Power On/Standby button.

The server exits standby mode and applies full power to the system. The system power LED changes from amber to green.

Power down the server

Before powering down the server for any upgrade or maintenance procedures, perform a backup of critical server data and programs.



WARNING: To reduce the risk of personal injury, electric shock, or damage to the equipment, remove the power cord to remove power from the server. The front panel Power On/Standby button does not completely shut off system power. Portions of the power supply and some internal circuitry remain active until AC power is removed.



IMPORTANT: When the server is in standby mode, auxiliary power is still being provided to the system.

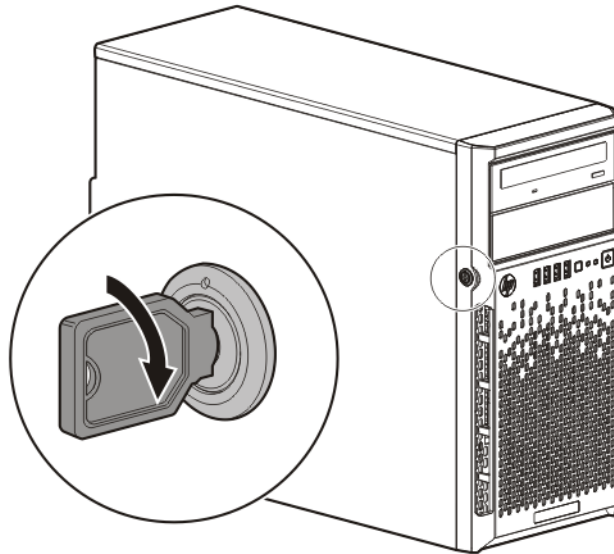
To power down the server, use one of the following methods:

- Press and release the Power On/Standby button.
This method initiates a controlled shutdown of applications and the OS before the server enters standby mode.
- Press and hold the Power On/Standby button for more than 4 seconds to force the server to enter standby mode.
This method forces the server to enter standby mode without properly exiting applications and the OS. If an application stops responding, you can use this method to force a shutdown.
- Use a virtual power button selection through iLO.
This method initiates a controlled remote shutdown of applications and the OS before the server enters standby mode.

Before proceeding, verify the server is in standby mode by observing that the system power LED is amber.

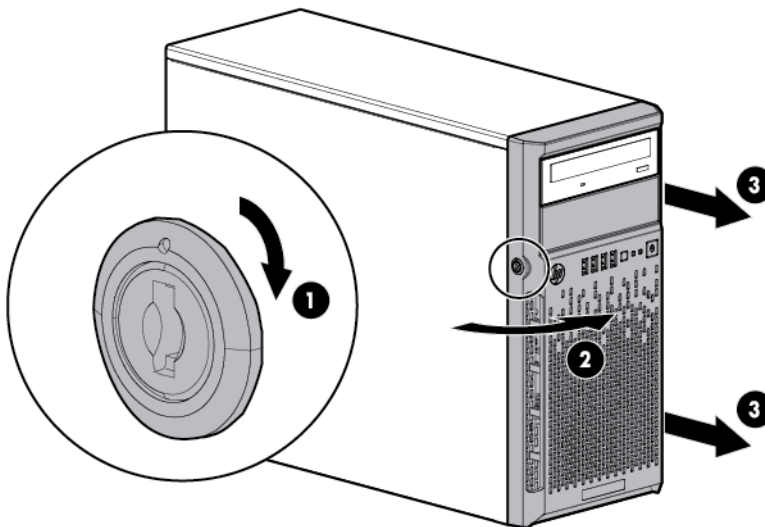
Unlock the tower bezel

The tower bezel must be unlocked and opened to access the drive cage and media bays. It must be unlocked to remove the access panel. The bezel must remain closed during normal server operations.



Remove the tower bezel

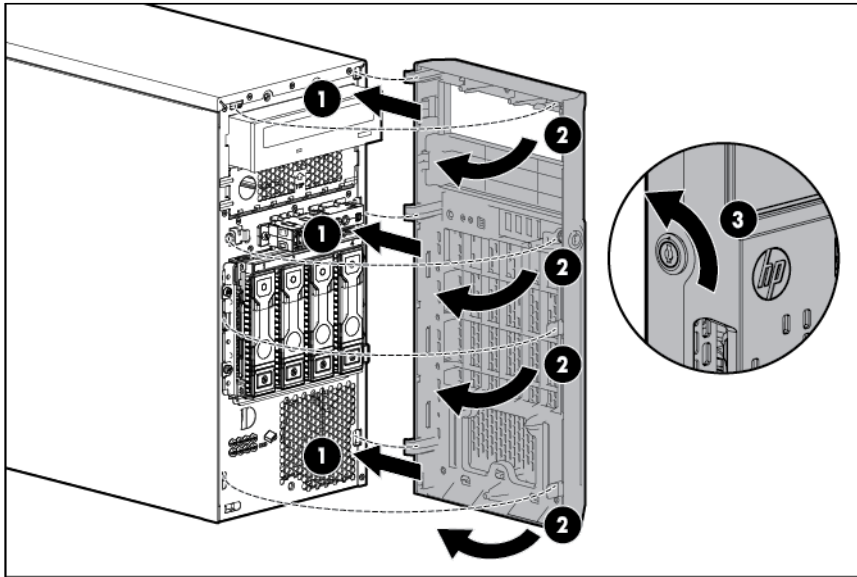
1. Unlock the tower bezel (on page 17).
2. Open the tower bezel.
3. Pull the bezel away from the front chassis.



Install the tower bezel

1. Insert the tabs on the tower bezel to the slots on the front chassis.

2. Close and lock the tower bezel.



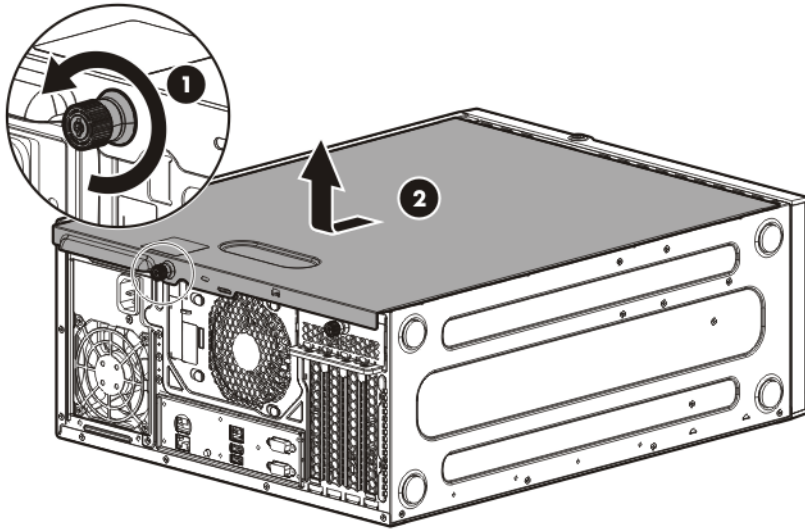
Remove the access panel

WARNING: To reduce the risk of personal injury from hot surfaces, allow the drives and the internal system components to cool before touching them.

CAUTION: For proper cooling, do not operate the server without the access panel, baffles, expansion slot covers, or blanks installed. If the server supports hot-plug components, minimize the amount of time the access panel is open.

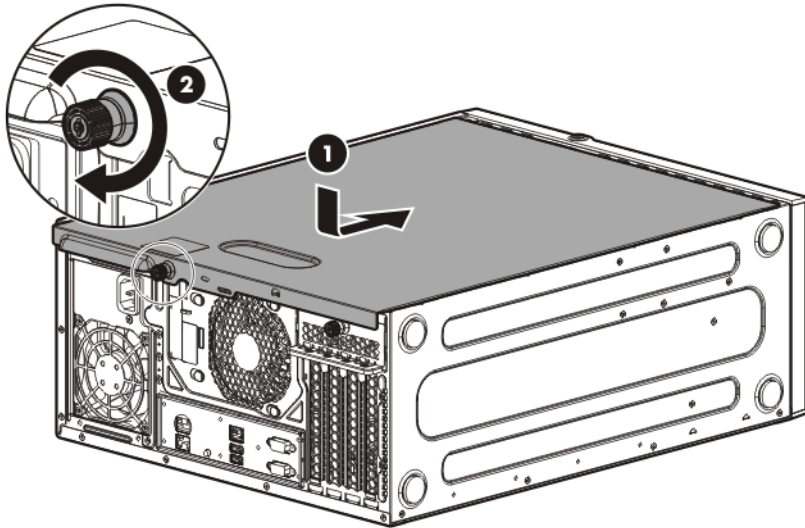
1. Power down the server (on page 16).
2. Remove all power:
 - a. Disconnect each power cord from the power source.
 - b. Disconnect each power cord from the server.
3. Unlock the tower bezel (on page 17).
4. Place the server on its side.
5. Remove the access panel:
 - a. Loosen the access panel thumbscrew.
 - b. Slide the access panel back.

- c. Lift the access panel away from the chassis.



Install the access panel

1. Install the access panel:
 - a. Place the access panel on the chassis, and slide it toward the front of the server.
 - b. Tighten the thumbscrew.

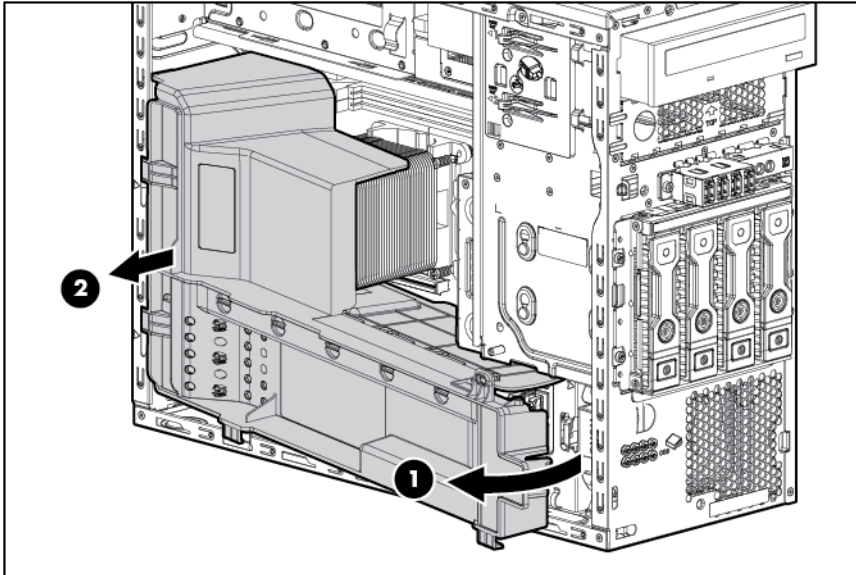


2. Close and lock the tower bezel.

Remove the air baffle

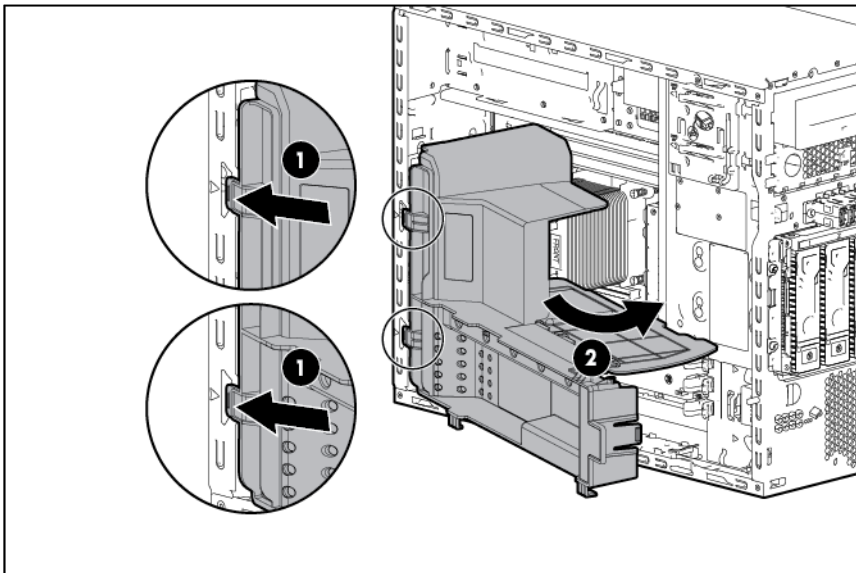
- △ **CAUTION:** For proper cooling, do not operate the server without the access panel, baffles, expansion slot covers, or blanks installed. If the server supports hot-plug components, minimize the amount of time the access panel is open.

1. Power down the server (on page 16).
2. Remove all power:
 - a. Disconnect each power cord from the power source.
 - b. Disconnect each power cord from the server.
3. Unlock the tower bezel (on page 17).
4. Remove the access panel (on page 18).
5. Remove the air baffle.



Install the air baffle

1. Insert the tabs on the baffle into the slots on the rear chassis.
2. Push the front end of the baffle inside the chassis.



3. Install the access panel (on page 19).

4. Lock the tower bezel.
5. Power up the server (on page [16](#)).

Setup

Optional installation services

Delivered by experienced, certified engineers, HP Care Pack services help you keep your servers up and running with support packages tailored specifically for HP ProLiant systems. HP Care Packs let you integrate both hardware and software support into a single package. A number of service level options are available to meet your needs.

HP Care Pack Services offer upgraded service levels to expand your standard product warranty with easy-to-buy, easy-to-use support packages that help you make the most of your server investments. Some of the Care Pack services are:

- Hardware support
 - 6-Hour Call-to-Repair
 - 4-Hour 24x7 Same Day
 - 4-Hour Same Business Day
- Software support
 - Microsoft® operating systems
 - Linux operating systems
 - HP ProLiant Essentials (HP SIM and RDP)
- Integrated hardware and software support
 - Critical Service
 - Proactive 24
 - Support Plus
 - Support Plus 24
- Startup and implementation services for both hardware and software

For more information on HP Care Pack Services, see the HP website (<http://www.hp.com/services/carepack>).

Rack planning resources

The rack resource kit ships with all HP branded or Compaq branded 9000, 10000, and H9 series racks. For more information on the content of each resource, see the rack resource kit documentation.

Optimum environment

When installing the server, select a location that meets the environmental standards described in this section.

Space and airflow requirements

Leave at least a 7.6-cm (3-inch) clearance space at the front and back of the server for proper ventilation.

Temperature requirements

To ensure continued, safe, and reliable equipment operation, install or position the system in a well-ventilated, climate-controlled environment.

The maximum recommended TMRA for most server products is 35°C (95°F). The temperature in the room where the server is located must not exceed 35°C (95°F).

-
- △ CAUTION:** To reduce the risk of damage to the equipment when installing third-party options:
- Do not permit optional equipment to impede airflow around the server beyond the maximum allowable limits.
 - Do not exceed the manufacturer's TMRA.
-

Power requirements

Installation of this equipment must comply with local and regional electrical regulations governing the installation of information technology equipment by licensed electricians. This equipment is designed to operate in installations covered by NFPA 70, 1999 Edition (National Electric Code) and NFPA-75, 1992 (code for Protection of Electronic Computer/Data Processing Equipment). For electrical power ratings on options, see the product rating label or the user documentation supplied with that option.

-
- △ CAUTION:** Protect the server from power fluctuations and temporary interruptions with a regulating uninterruptible power supply. This device protects the hardware from damage caused by power surges and voltage spikes and keeps the system in operation during a power failure.
-

When installing more than one server, you might have to use additional power distribution devices to safely provide power to all devices. Observe the following guidelines:

- Balance the server power load between available AC supply branch circuits.
- Do not allow the overall system AC current load to exceed 80% of the branch circuit AC current rating.
- Do not use common power outlet strips for this equipment.
- Provide a separate electrical circuit for the server.






Electrical grounding requirements

The server must be grounded properly for proper operation and safety. In the United States, you must install the equipment in accordance with NFPA 70, 1999 Edition (National Electric Code), Article 250, as well as any local and regional building codes. In Canada, you must install the equipment in accordance with Canadian Standards Association, CSA C22.1, Canadian Electrical Code. In all other countries, you must install the equipment in accordance with any regional or national electrical wiring codes, such as the International Electrotechnical Commission (IEC) Code 364, parts 1 through 7. Furthermore, you must be sure that all power distribution devices used in the installation, such as branch wiring and receptacles, are listed or certified grounding-type devices.


Because of the high ground-leakage currents associated with multiple servers connected to the same power source, HP recommends the use of a PDU that is either permanently wired to the building's branch circuit or

includes a nondetachable cord that is wired to an industrial-style plug. NEMA locking-style plugs or those complying with IEC 60309 are considered suitable for this purpose. Using common power outlet strips for the server is not recommended.

Server warnings and cautions

-
-  **WARNING:** This server is very heavy. To reduce the risk of personal injury or damage to the equipment:
- Observe local occupational health and safety requirements and guidelines for manual material handling.
 - Get help to lift and stabilize the product during installation or removal, especially when the product is not fastened to the rails. HP recommends that a minimum of two people are required for all rack server installations. A third person may be required to help align the server if the server is installed higher than chest level.
 - Use caution when installing the server in or removing the server from the rack; it is unstable when not fastened to the rails.
-
-  **WARNING:** To reduce the risk of personal injury from hot surfaces, allow the drives and the internal system components to cool before touching them.
-
-  **WARNING:** To reduce the risk of personal injury, electric shock, or damage to the equipment, remove the power cord to remove power from the server. The front panel Power On/Standby button does not completely shut off system power. Portions of the power supply and some internal circuitry remain active until AC power is removed.
-
-  **CAUTION:** Protect the server from power fluctuations and temporary interruptions with a regulating uninterruptible power supply. This device protects the hardware from damage caused by power surges and voltage spikes and keeps the system in operation during a power failure.
-
-  **CAUTION:** Do not operate the server for long periods with the access panel open or removed. Operating the server in this manner results in improper airflow and improper cooling that can lead to thermal damage.
-

Rack warnings

-
-  **WARNING:** To reduce the risk of personal injury or damage to the equipment, be sure that:
- The leveling jacks are extended to the floor.
 - The full weight of the rack rests on the leveling jacks.
 - The stabilizing feet are attached to the rack if it is a single-rack installation.
 - The racks are coupled together in multiple-rack installations.
 - Only one component is extended at a time. A rack may become unstable if more than one component is extended for any reason.
-

-
- ⚠ WARNING:** To reduce the risk of personal injury or equipment damage when unloading a rack:
- At least two people are needed to safely unload the rack from the pallet. An empty 42U rack can weigh as much as 115 kg (253 lb), can stand more than 2.1 m (7 ft) tall, and might become unstable when being moved on its casters.
 - Never stand in front of the rack when it is rolling down the ramp from the pallet. Always handle the rack from both sides.
-
- ⚠ WARNING:** To reduce the risk of personal injury or damage to the equipment, adequately stabilize the rack before extending a component outside the rack. Extend only one component at a time. A rack may become unstable if more than one component is extended.
-
- ⚠ WARNING:** When installing a server in a telco rack, be sure that the rack frame is adequately secured at the top and bottom to the building structure.
-

Identifying the contents of the server shipping carton

Unpack the server shipping carton and locate the materials and documentation necessary for installing the server.

The contents of the server shipping carton include:

- Server
- Power cord
- Printed setup documentation, Documentation CD, and software products

You need the following items for some procedures:

- T-10/T-15 Torx screwdriver
- Hardware options
- Operating system or application software

Installing hardware options



Install any hardware options before initializing the server. For options installation information, see the option documentation. For server-specific information, see "Hardware options installation (on page 28)."

Installing the server into the rack

To install the server into a rack with square, round, or threaded holes, refer to the instructions that ship with the rack hardware kit.


If you are installing the server into a telco rack, order the appropriate option kit at the RackSolutions website (<http://www.racksolutions.com/hp>). Follow the server-specific instructions on the website to install the rack brackets.

Use the following information when connecting peripheral cables and power cords to the server.


-
-  **WARNING:** This server is very heavy. To reduce the risk of personal injury or damage to the equipment:
- Observe local occupational health and safety requirements and guidelines for manual material handling.
 - Get help to lift and stabilize the product during installation or removal, especially when the product is not fastened to the rails. HP recommends that a minimum of two people are required for all rack server installations. A third person may be required to help align the server if the server is installed higher than chest level.
 - Use caution when installing the server in or removing the server from the rack; it is unstable when not fastened to the rails.
-
-  **CAUTION:** Always plan the rack installation so that the heaviest item is on the bottom of the rack. Install the heaviest item first, and continue to populate the rack from the bottom to the top.
-

To install the server in an HP, Compaq-branded, Telco, or a third-party rack:

1. Prepare the server for rack installation by installing the tower-to-rack conversion option kit (PN 418108-B21). For instructions, see the option kit documentation.
2. Connect peripheral devices to the server. For information on identifying connectors, see "Rear panel components."

-  **WARNING:** To reduce the risk of electric shock, fire, or damage to the equipment, do not plug telephone or telecommunications connectors into RJ-45 connectors.
-

3. Connect each power cord to the server.
4. Connect each power cord to the power source.

-  **WARNING:** To reduce the risk of electric shock or damage to the equipment:
- Do not disable the power cord grounding plug. The grounding plug is an important safety feature.
 - Plug the power cord into a grounded (earthed) electrical outlet that is easily accessible at all times.
 - Unplug the power cord from the power supply to disconnect power to the equipment.
 - Do not route the power cord where it can be walked on or pinched by items placed against it. Pay particular attention to the plug, electrical outlet, and the point where the cord extends from the server.
-

Installing the operating system

This HP ProLiant server does not ship with provisioning media. Everything needed to manage and install the system software and firmware is preloaded on the server.

To operate properly, the server must have a supported operating system. For the latest information on operating system support, see the HP website (<http://www.hp.com/go/supportos>).

To install an operating system on the server, use one of the following methods:

- **Intelligent Provisioning**—The iLO Management Engine is a new feature on ProLiant servers that contains Intelligent Provisioning for embedded deployment, updating, and provisioning capabilities. Intelligent Provisioning can configure the server and install an operating system, eliminating the need for SmartStart CDs and Smart Update Firmware DVDs.

To install an operating system on the server with Intelligent Provisioning (local or remote):

- a. Connect the Ethernet cable between the network connector on the server and a network jack.
 - b. Press the Power On/Standby button.
 - c. During server POST, press the **F10** key.
 - d. Complete the initial Preferences and Registration portion of Intelligent Provisioning (on page 68).
 - e. At the 1 Start screen, click the **Configure and Install** button.
 - f. To finish the installation, follow the onscreen prompts. An Internet connection is required to update the firmware and systems software.
- Remote deployment installation—To deploy an operating system remotely, use Insight Control server deployment for an automated solution.

For additional system software and firmware updates, download the HP Service Pack for ProLiant from the HP website (<http://www.hp.com/go/spp/download>). Software and firmware must be updated before using the server for the first time, unless any installed software or components require an older version. For more information, see "Keeping the system current (on page 76)."

For more information on using these installation methods, see the HP website (<http://www.hp.com/go/ilo>).

Powering on and selecting boot options

1. Connect the Ethernet cable.
2. Press the Power On/Standby button.
3. During the initial boot:
 - o To modify the server configuration ROM default settings, press **F9** when prompted from the start up sequence to enter the RBSU. By default, RBSU runs in the English language.
 - o If you do not need to modify the server configuration and are ready to install the system software, press **F10** to access Intelligent Provisioning.

NOTE: If an HP Smart Array controller has been added or is embedded in the system, the controller defaults to a RAID configuration based on the size and number of drives installed. For more information on modifying the controller default settings, see the documentation on the Documentation CD.

For more information on automatic configuration, see the *HP ROM-Based Setup Utility User Guide* on the Documentation CD or the iLO Management Engine Information Library (<http://www.hp.com/go/ilomgmtengine/docs>).


Registering the server


To experience quicker service and more efficient support, register the product at the HP Product Registration website (<http://register.hp.com>).

Hardware options installation

Introduction

If more than one option is being installed, read the installation instructions for all the hardware options and identify similar steps to streamline the installation process.

 **WARNING:** To reduce the risk of personal injury from hot surfaces, allow the drives and the internal system components to cool before touching them.

 **CAUTION:** To prevent damage to electrical components, properly ground the server before beginning any installation procedure. Improper grounding can cause electrostatic discharge.

Drive options

The server supports up to four non-hot-plug or hot-plug LFF drives or up to eight hot-plug SFF drives.


The embedded storage controller supports SATA drive installation only. For SAS drive installation, install a Smart Array card and a Mini-SAS cable option kit. Optional Smart Array controllers support both SATA and SAS drives.

Drive installation guidelines

When adding drives to the server, observe the following general guidelines:

- The system automatically sets all device numbers.
- Populate drive bays, based on the drive numbering sequence. Start from the drive bay with the lowest device number ("[Drive numbering](#)" on page 12).
- When drives are grouped together into the same drive array, they must be of the same capacity to provide the greatest storage space efficiency.

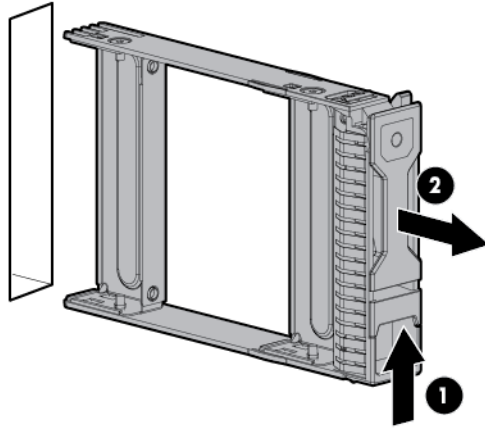
Installing a non-hot-plug drive

 **CAUTION:** To prevent improper cooling and thermal damage, do not operate the server unless all bays are populated with either a component or a blank.

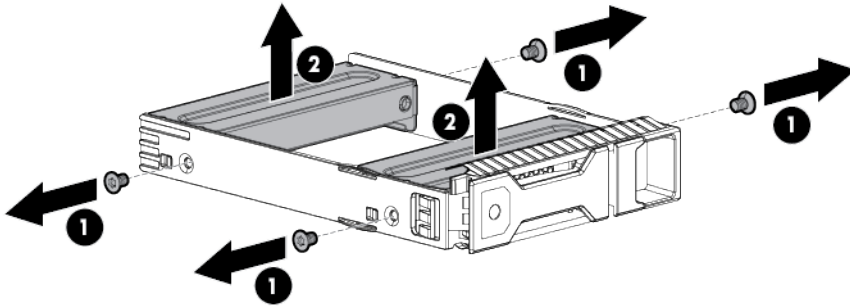
To install the component:

1. Power down the server (on page 16).
2. Remove all power:
 - a. Disconnect each power cord from the power source.
 - b. Disconnect each power cord from the server.
3. Remove the tower bezel (on page 17).

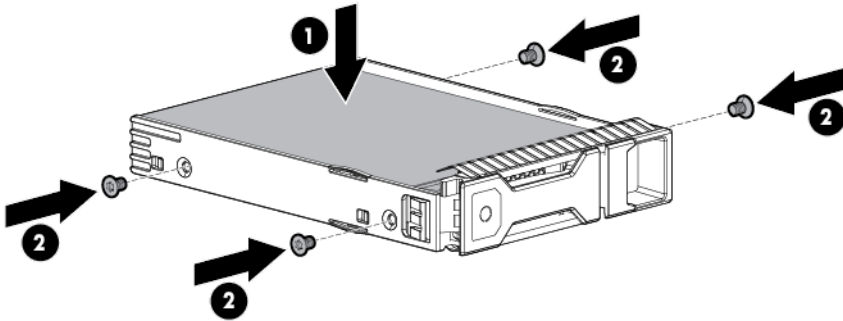
4. Remove the drive carrier.



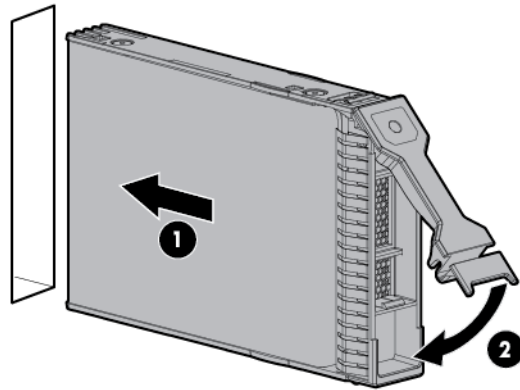
5. Remove the two metal brackets from the drive carrier.



6. Install the drive in the carrier.



7. Install the drive.



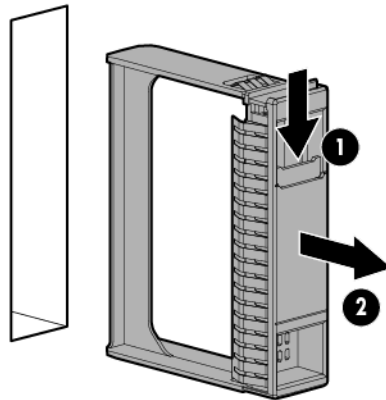
8. Close and lock the tower bezel.
9. Connect each power cord to the server.
10. Connect each power cord to the power source.
11. Power up the server (on page 16).

Installing a hot-plug drive

CAUTION: To prevent improper cooling and thermal damage, do not operate the server unless all bays are populated with either a component or a blank.

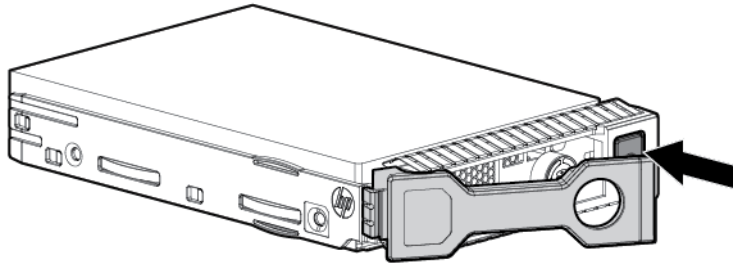
To install the component:

1. Remove the tower bezel (on page 17).
2. Remove the drive blank.

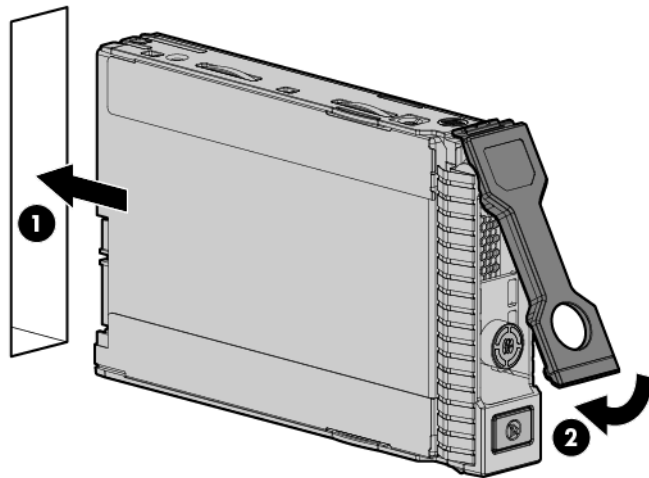


3. Retain the blank for future use.

4. Prepare the drive.



5. Install the drive.



6. Determine the status of the drive from the drive LED definitions.
7. Close and lock the tower bezel.

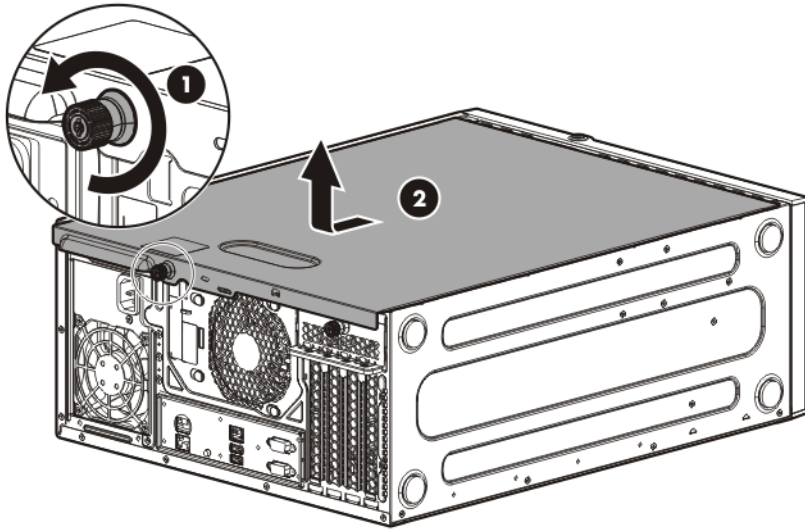
Drive cage options

Four-bay LFF hot-plug drive backplane option

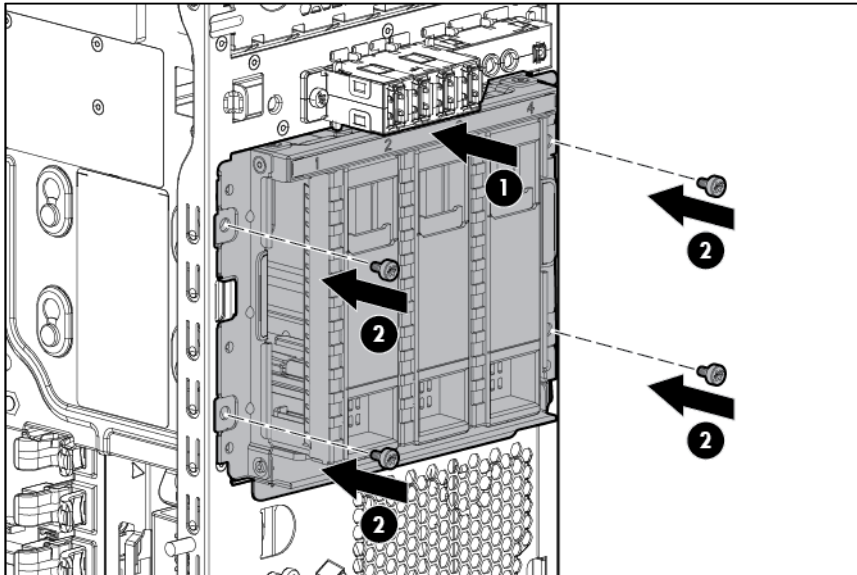
To install the component:

1. Power down the server (on page 16).
2. Remove all power:
 - a. Disconnect each power cord from the power source.
 - b. Disconnect each power cord from the server.
3. Remove the tower bezel (on page 17).

4. Remove the access panel (on page 18).

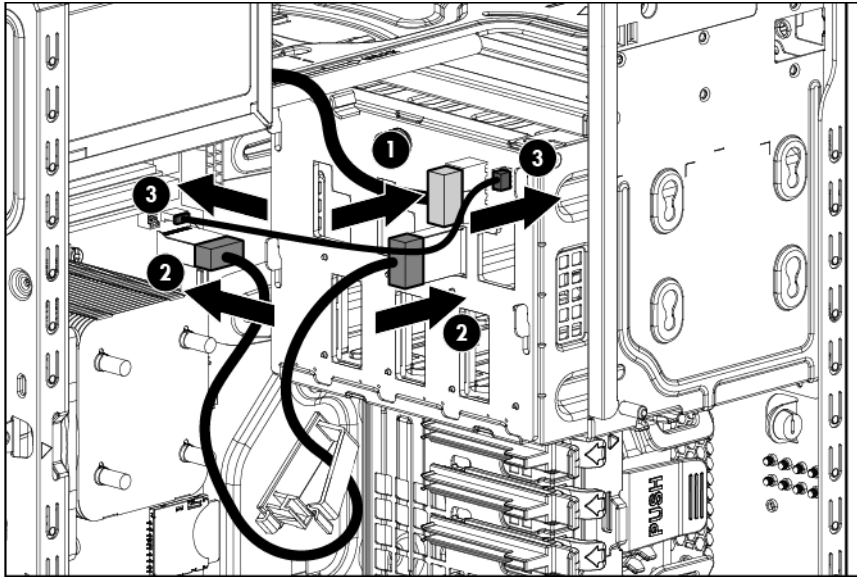


5. Install the drive cage assembly.



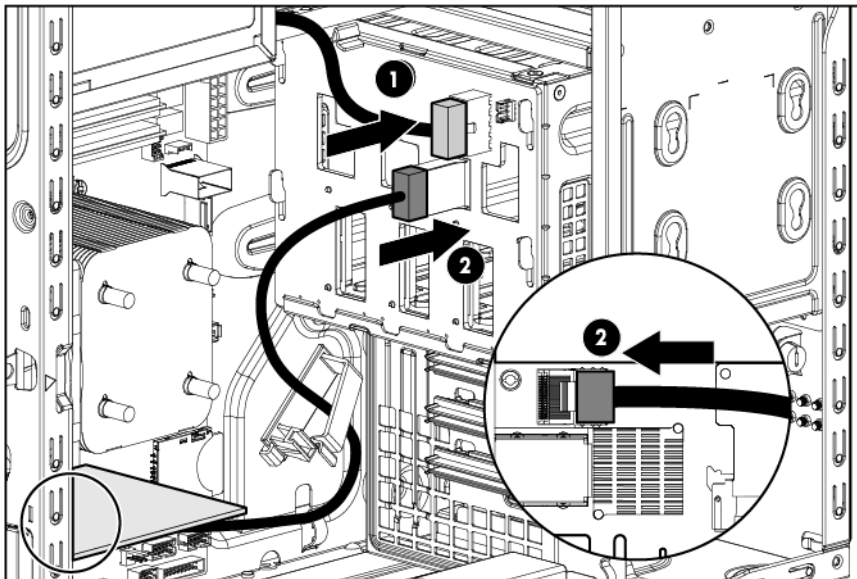
6. Connect the drive backplane cables:
 - a. Connect the power cable to the backplane.
 - b. Do one of the following:
 - Connect the Mini-SAS cable to the system board (SATA drive support only).

For cable routing information, see "Hot-plug, SATA drive support ("Hot-plug cage to system board, SATA drive support" on page 61)."



- Connect one end of the Mini-SAS cable to the backplane and the other end to an optional Smart Array controller (SATA and SAS drive support).

For cable routing information, see "Hot-plug SATA and SAS drive support ("Hot-plug cage to controller card, SATA and SAS drive support" on page 61)."



7. Install the drives ("Drive options" on page 28).

CAUTION: To prevent improper cooling and thermal damage, do not operate the server unless all bays are populated with either a component or a blank.

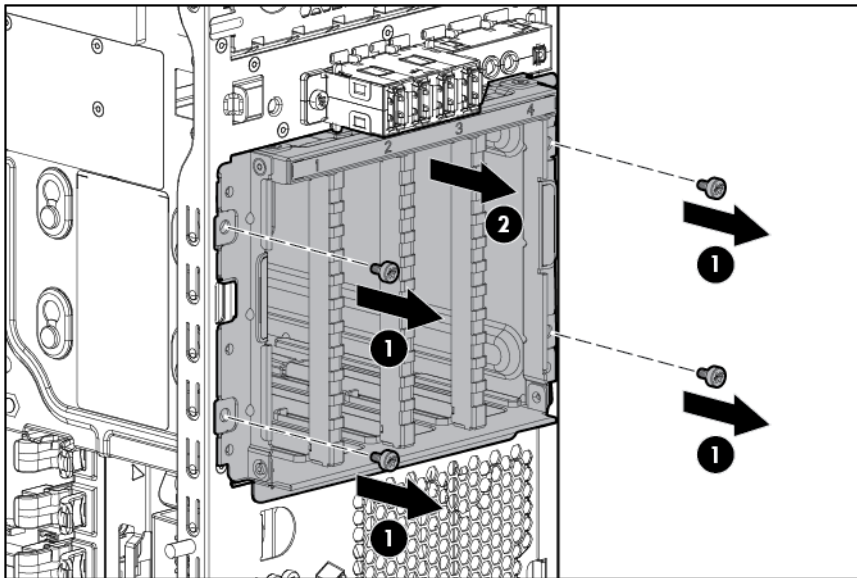
8. Install the air baffle (on page 20).
9. Install the access panel (on page 19).
10. Install the tower bezel (on page 17).
11. Connect each power cord to the server.

12. Connect each power cord to the power source.
13. Power up the server (on page 16).

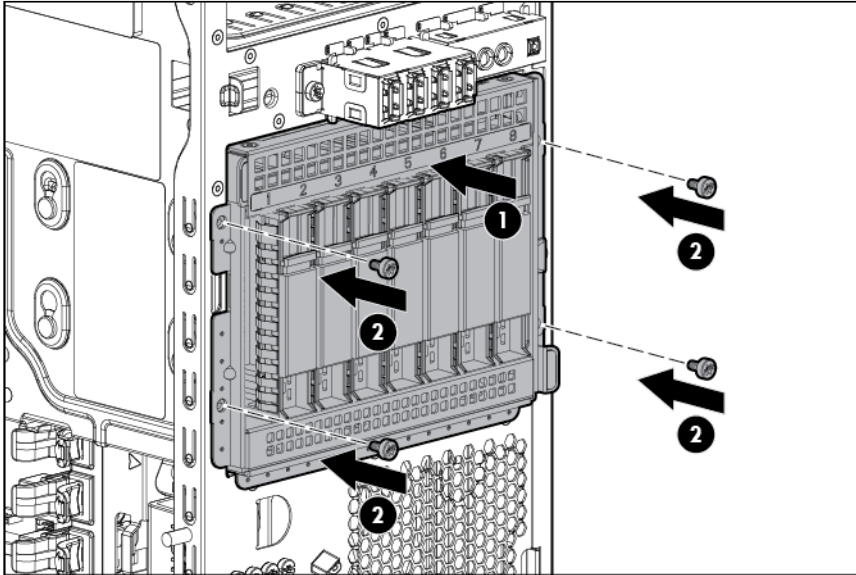
Eight-bay SFF hot-plug drive cage option

To install the component:

1. Power down the server (on page 16).
2. Remove all power:
 - a. Disconnect each power cord from the power source.
 - b. Disconnect each power cord from the server.
3. Remove the tower bezel (on page 17).
4. Remove the access panel (on page 18).
5. Remove the air baffle (on page 19).
6. Remove all installed drives.
7. Disconnect the drive cage cables:
 - a. Disconnect the Mini-SAS cable from the system board.
 - b. Disconnect the drive power cable from the 10-pin power supply connector.
8. Remove the LFF drive cage assembly.



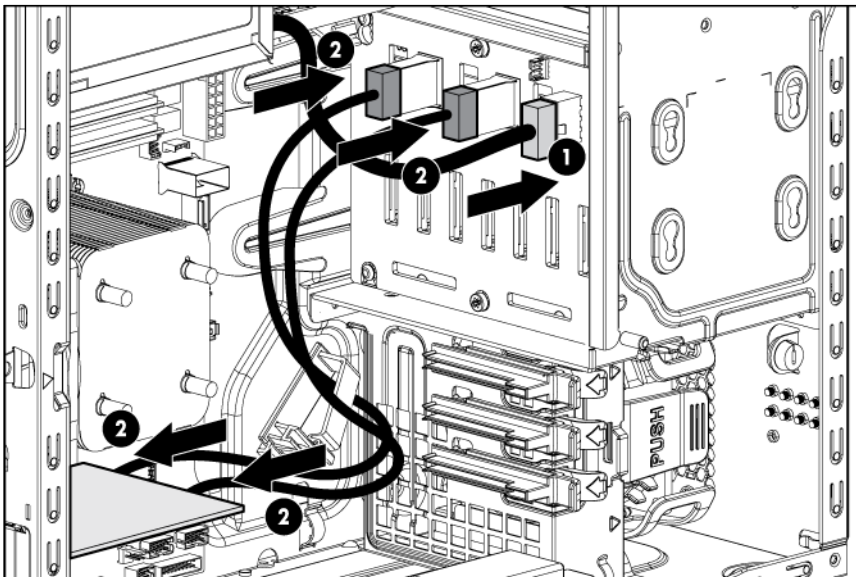
9. Install the SFF drive cage assembly.



10. Connect the drive backplane cables:

- a. Connect the power cable to the backplane.
- b. Connect the Mini-SAS cables to the backplane and to an optional Smart Array controller.

For cable routing information, see "Eight-bay SFF drive cabling (on page 62)."



11. Install the drives ("Drive options" on page 28).



CAUTION: To prevent improper cooling and thermal damage, do not operate the server unless all bays are populated with either a component or a blank.

12. Install the air baffle (on page 20).
13. Install the access panel (on page 19).
14. Install the tower bezel (on page 17).
15. Connect each power cord to the server.

16. Connect each power cord to the power source.
17. Power up the server (on page 16).

Controller options





The server includes an embedded Smart Array B120i controller. For more information about the controller and its features, see the *HP Dynamic Smart Array RAID Controller User Guide* on the HP website (http://www.hp.com/support/DSA_RAID_UG_en).

To configure arrays, see the *Configuring Arrays on HP Smart Array Controllers Reference Guide* on the HP website (http://www.hp.com/support/CASAC_RG_en).


For more information about product features, specifications, options, configurations, and compatibility, see the product QuickSpecs on the HP Product Bulletin website (<http://www.hp.com/go/productbulletin>).

The server supports FBWC. FBWC consists of a cache module and a capacitor pack. The DDR cache module buffers and stores data being written by the controller. When the system is powered on, the capacitor pack fully charges in approximately 5 minutes. If a system power failure occurs, a fully charged capacitor pack provides power for up to 80 seconds. During that interval, the controller transfers the cached data from DDR memory to flash memory, where the data remains indefinitely or until a controller retrieves the data.

The data protection and the time limit also apply if a power outage occurs. When power is restored to the system, an initialization process writes the preserved data to the storage drives.

-
-  **CAUTION:** The cache module connector does not use the industry-standard DDR3 mini-DIMMs. Do not use the controller with cache modules designed for other controller models, because the controller can malfunction and you can lose data. Also, do not transfer this cache module to an unsupported controller model, because you can lose data.
-
-  **CAUTION:** To prevent a server malfunction or damage to the equipment, do not add or remove the capacitor pack while an array capacity expansion, RAID level migration, or stripe size migration is in progress.
-
-  **CAUTION:** After the server is powered down, wait for 30 seconds, and then check the amber LED before unplugging the cable from the cache module. If the amber LED flashes after 30 seconds, do not remove the cable from the cache module. The cache module is backing up data. Data will be lost if the cable is detached when the amber LED is still flashing.
-
-  **IMPORTANT:** The capacitor pack might have a low charge when installed. If the pack does have low charge a POST error message appears when the server is powered up, indicating that the capacitor pack is temporarily disabled. No action is necessary. The internal circuitry automatically recharges the capacitors and enables the capacitor pack. This process might take up to 4 hours. During this time, the cache module functions properly but without the performance advantage of the capacitor pack.
-


Installing a storage controller

-  **IMPORTANT:** For additional installation and configuration information, see the documentation that ships with the option.
-

To install the component:

1. Power down the server (on page 16).

2. Remove all power:
 - a. Disconnect each power cord from the power source.
 - b. Disconnect each power cord from the server.
3. Unlock the tower bezel (on page 17).
4. Remove the access panel (on page 18).
5. Remove the air baffle (on page 19).
6. If necessary, disconnect the Mini-SAS cable from the system board.
7. Install the storage controller.
8. Connect all necessary internal and external cabling to the option. For more information on these cabling requirements, see the documentation that ships with the option. For internal cable routing information in different drive configurations, see "Storage cabling (on page 60)."
9. Install the air baffle (on page 20).
10. Install the access panel (on page 19).
11. Install the drives ("Drive options" on page 28).


 **CAUTION:** To prevent improper cooling and thermal damage, do not operate the chassis unless all bays are populated with a component or a blank.

12. Lock the tower bezel.
13. Connect each power cord to the server.
14. Connect each power cord to the power source.
15. Power up the server (on page 16).

For more information about the controller and its features, see the *HP Smart Array Controllers for HP ProLiant Servers User Guide* on the HP website (http://www.hp.com/support/SAC_UG_ProLiantServers_en). To configure arrays, see the *Configuring Arrays on HP Smart Array Controllers Reference Guide* on the HP website (http://www.hp.com/support/CASAC_RG_en).

Upgrade options exist for the integrated array controller. For a list of supported options, see the QuickSpecs on the HP website (<http://www.hp.com/support>).

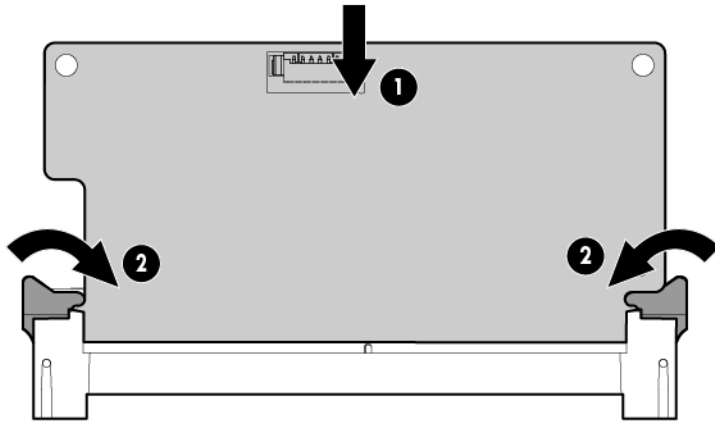
Installing the FBWC module and capacitor pack

 **CAUTION:** In systems that use external data storage, be sure that the server is the first unit to be powered down and the last to be powered back up. Taking this precaution ensures that the system does not erroneously mark the external drives as failed when the server is powered up.

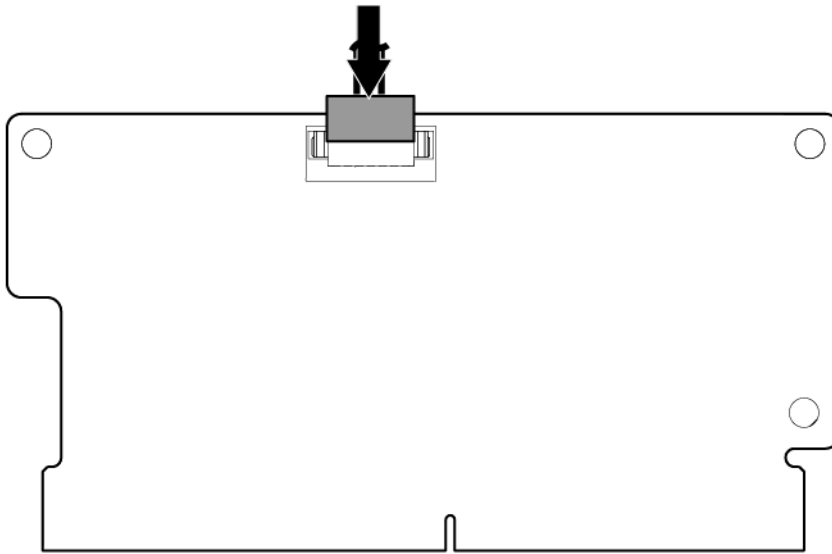
To install the component:

1. Power down the server (on page 16).
2. Remove all power:
 - a. Disconnect each power cord from the power source.
 - b. Disconnect each power cord from the server.
3. Unlock the tower bezel (on page 17).
4. Remove the access panel (on page 18).
5. Remove the air baffle (on page 19).

6. Install the cache module on the storage controller.

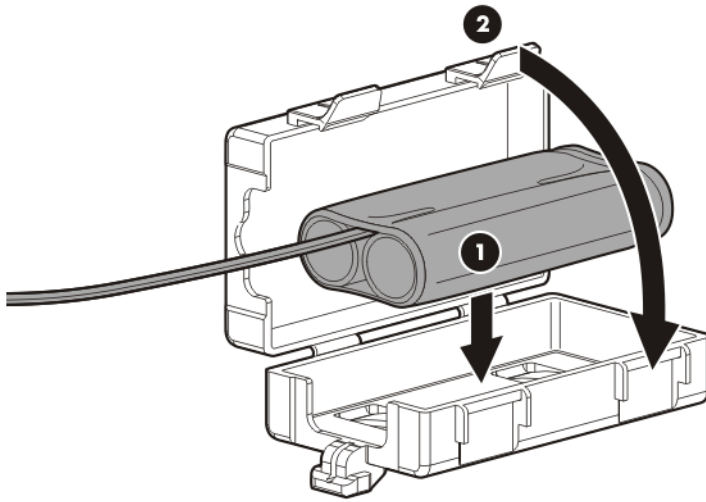


7. Connect the capacitor pack cable to the cache module.



8. Install the storage controller ("[Installing a storage controller](#)" on page 36).

9. Install the capacitor pack. For cable routing, see capacitor pack cabling.



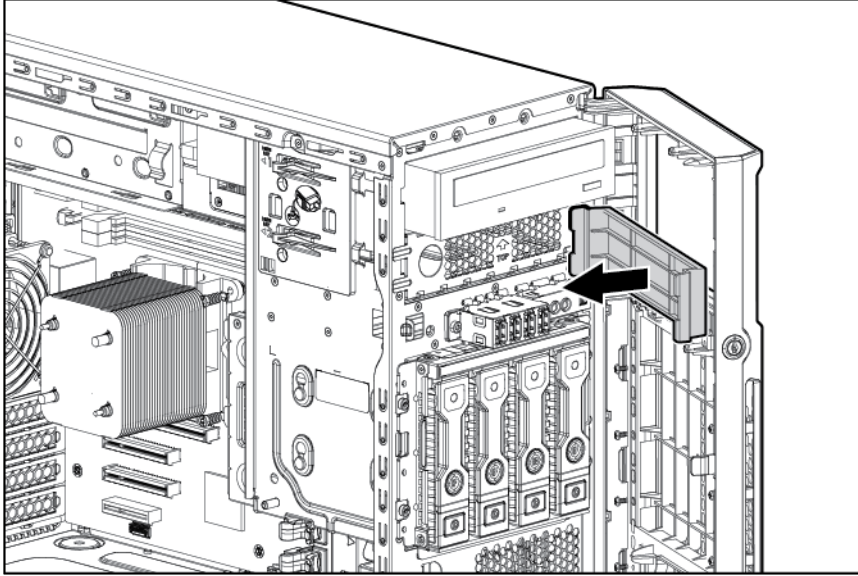
10. Install the air baffle (on page 20).
11. Install the access panel (on page 19).
12. Lock the tower bezel.
13. Connect each power cord to the server.
14. Connect each power cord to the power source.
15. Power up the server (on page 16).

Optical drive option

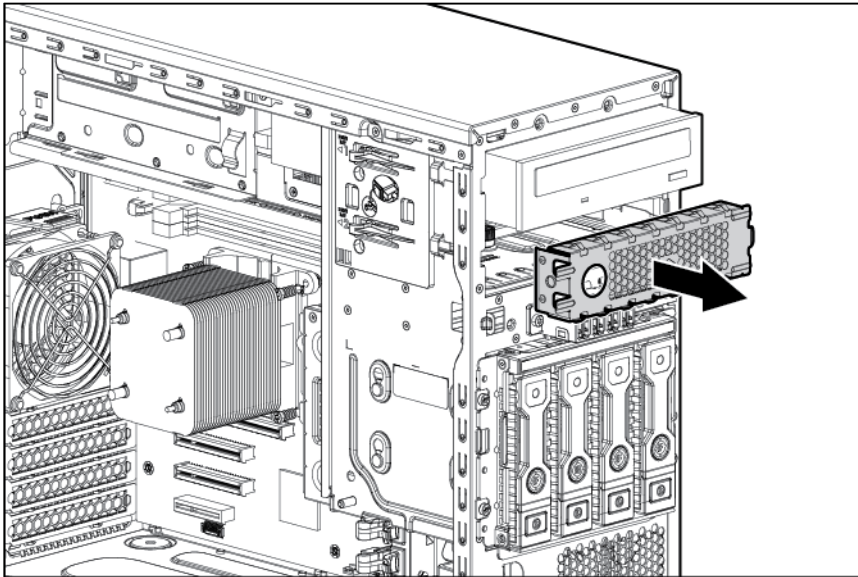
To install the component:

1. Power down the server (on page 16).
2. Remove all power:
 - a. Disconnect each power cord from the power source.
 - b. Disconnect each power cord from the server.
3. Remove the tower bezel (on page 17).
4. Remove the access panel (on page 18).

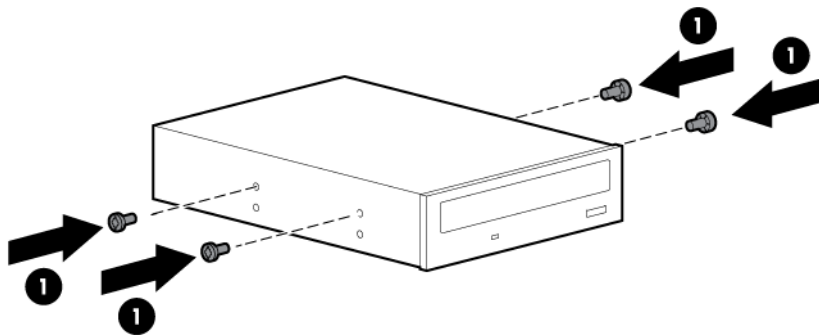
5. Remove the media bay blank.



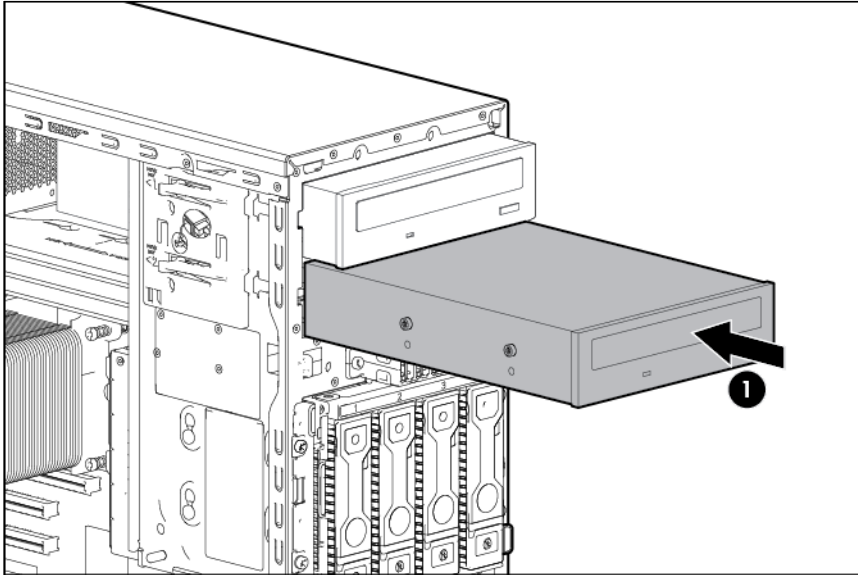
6. Remove the EMI shield.



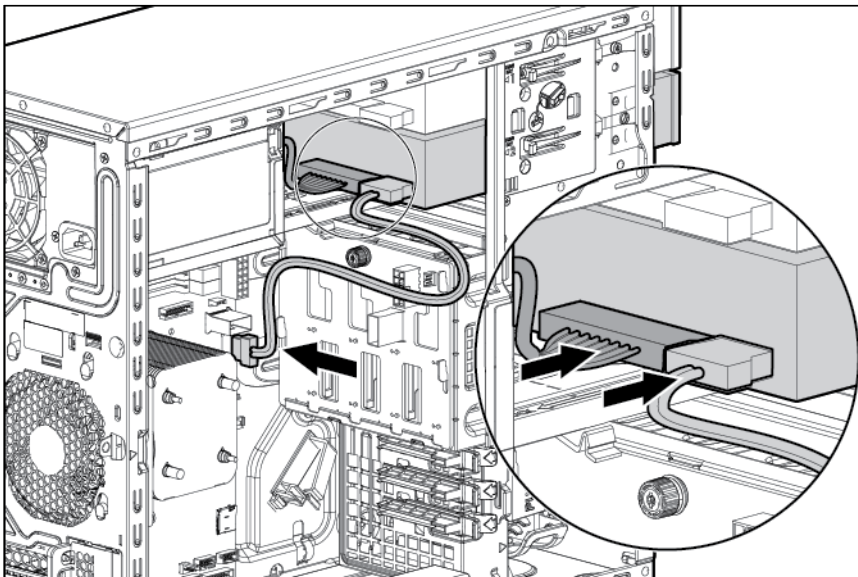
7. Attach the screws to the optical drive.



8. Install the optical drive into the media drive bay ("Optical drive cabling" on page 62).



9. Connect the drive cables:
 - a. Connect the power cable to the drive.
 - b. Connect one end of the SATA cable to the drive and the other end to the system board.For cable routing information, see "Optical drive cabling (on page 62)."



10. Install the access panel (on page 19).
11. Install the tower bezel (on page 17).
12. Connect each power cord to the server.
13. Connect each power cord to the power source.
14. Power up the server (on page 16).

Memory options



IMPORTANT: This server does not support mixing LRDIMMs, RDIMMs, or UDIMMs. Attempting to mix any combination of these DIMMs can cause the server to halt during BIOS initialization.

The server supports single- and dual-rank UDIMMs operating at a speed of up to 1600 MHz. Depending on the processor model and the number of DIMMs installed, the memory clock speed might be reduced to 1333 or 1066 MHz. The server supports a maximum system memory of 32 GB, using 2-GB, 4-GB, and 8-GB UDIMMs.

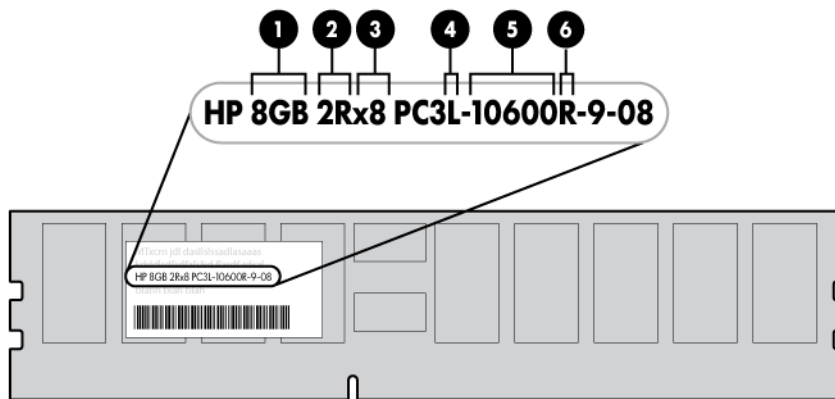
HP SmartMemory

HP SmartMemory, introduced for Gen8 servers, authenticates and unlocks certain features available only on HP Qualified memory and verifies whether installed memory has passed HP qualification and test processes. Qualified memory is performance-tuned for HP ProLiant and BladeSystem servers and provides future enhanced support through HP Active Health and manageability software.

Certain performance features are unique with HP SmartMemory. The industry supports UDIMM at 2 DIMMs per channel at 1066 MT/s. HP SmartMemory supports 2 DIMMs per channel at 1333 MT/s, or 25% greater bandwidth.

DIMM identification

To determine DIMM characteristics, use the label attached to the DIMM and the following illustration and table.



Item	Description	Definition
1	Size	—
2	Rank	1R = Single-rank 2R = Dual-rank 3R = Three-rank 4R = Quad-rank
3	Data width	x4 = 4-bit x8 = 8-bit

Item	Description	Definition
4	Voltage rating	L = Low voltage (1.35V) U = Ultra low voltage (1.25V) Blank or omitted = Standard
5	Memory speed	12800 = 1600-MT/s 10600 = 1333-MT/s 8500 = 1066-MT/s
6	DIMM type	R = RDIMM (registered) E = UDIMM (unbuffered with ECC) L = LRDIMM (load reduced)

For the latest supported memory information, see the QuickSpecs on the HP website (<http://h18000.www1.hp.com/products/quickspecs/ProductBulletin.html>). At the website, choose the geographic region, and then locate the product by name or product category.

Single-rank and dual-rank DIMMs

DIMM configuration requirements are based on these classifications:

- Single-rank DIMM—One set of memory chips that is accessed while writing to or reading from the memory.
- Dual-rank DIMM—Two single-rank DIMMs on the same module, with only one rank accessible at a time.

The server memory control subsystem selects the proper rank within the DIMM when writing to or reading from the DIMM.

Dual-rank DIMMs provide the greatest capacity with the existing memory technology. For example, if current DRAM technology supports 2-GB single-rank DIMMs, a dual-rank DIMM would be 4 GB.

Memory subsystem architecture

The memory subsystem in this server is divided into two channels. Each channel supports two DIMM slots.

Channel	Population order	Slot number
1	C	1
	A	2
2	D	3
	B	4

DIMM slots are identified by number and by letter. Letters identify the population order. Slot numbers are reported by ROM messages during boot and are used for error reporting.

For the DIMM slot locations, see "DIMM slot locations (on page 11)."

ECC memory

The server supports the standard ECC memory correction mode. Standard ECC can correct single-bit memory errors and detect multibit memory errors. When multibit errors are detected, the error is signaled to the server and causes the server to halt.

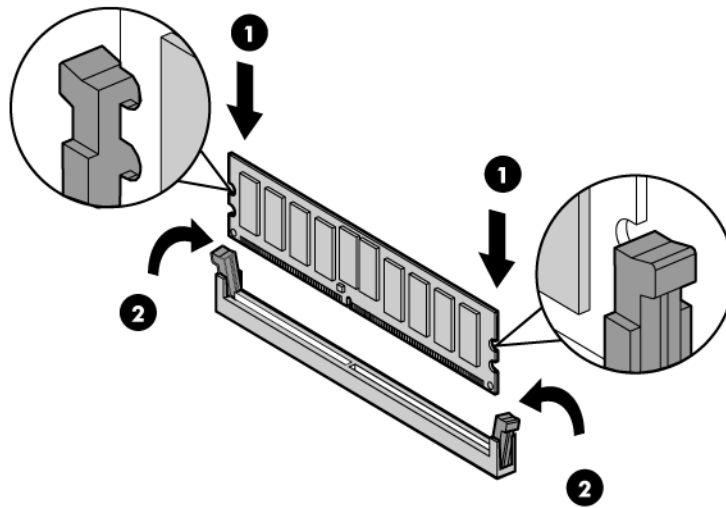
General DIMM slot population guidelines

- The server has four DIMM slots.
- The server supports two channels with two DIMM slots per channel.
 - Memory channel 1 consists of the two DIMMs that are closest to the processor.
 - Memory channel 2 consists of the two DIMMs that are farthest from the processor.
- A white DIMM slot indicates the first slot of a channel (2-A, 4-B).
- Memory speed support depends on the type of processor installed. For more information, see the technical specification of the installed processor.
- The server supports up to 1600 MT/s ECC UDIMMs.
- The server supports up to 32 GB (4x8 GB) UDIMMs.
- The server does not support:
 - RDIMMs
 - Non-ECC UDIMMs
- When installing DIMMs:
 - Populate the DIMM slots in this sequence: 2-A, 4-B, 1-C, 3-D.
 - Use HP-qualified UDIMMs.

Installing a DIMM

1. Power down the server (on page [16](#)).
2. Remove all power:
 - a. Disconnect each power cord from the power source.
 - b. Disconnect each power cord from the server.
3. Unlock the tower bezel (on page [17](#)).
4. Remove the access panel (on page [18](#)).
5. Remove the air baffle (on page [19](#)).
6. Open the DIMM slot latches.

7. Install the DIMM.



8. Install the air baffle (on page 20).
9. Install the access panel (on page 19).
10. Lock the tower bezel.
11. Connect each power cord to the server.
12. Connect each power cord to the power source.
13. Power up the server (on page 16).

After installing the DIMMs, to configure memory protection mode, use RBSU ("HP ROM-Based Setup Utility" on page 71).

Expansion board options

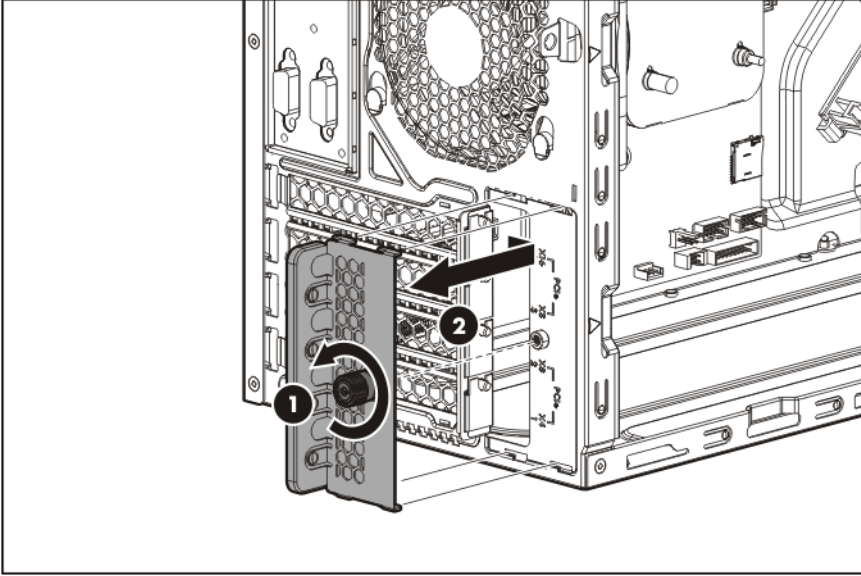
The server has both full-height and low-profile expansion slots.

CAUTION: To prevent improper cooling and thermal damage, do not operate the server unless all PCI slots have either an expansion slot cover or an expansion board installed.

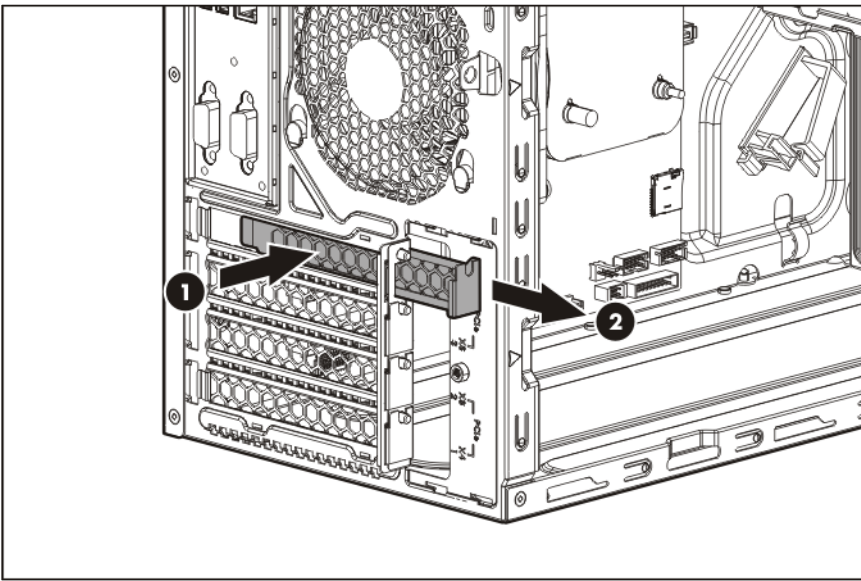
To install the component:

1. Power down the server (on page 16).
2. Remove all power:
 - a. Disconnect each power cord from the power source.
 - b. Disconnect each power cord from the server.
3. Unlock the tower bezel (on page 17).
4. Remove the access panel (on page 18).
5. Remove the air baffle (on page 19).

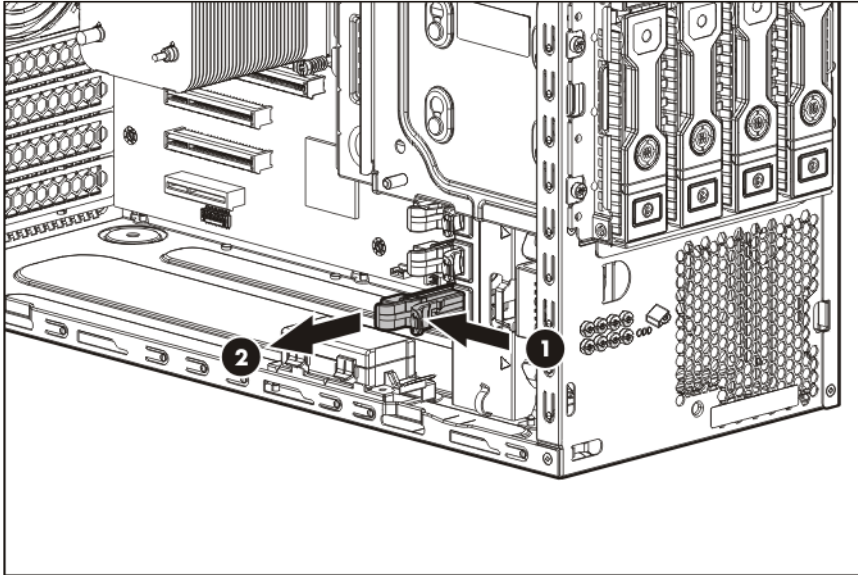
6. Remove the expansion slot cover retainer.



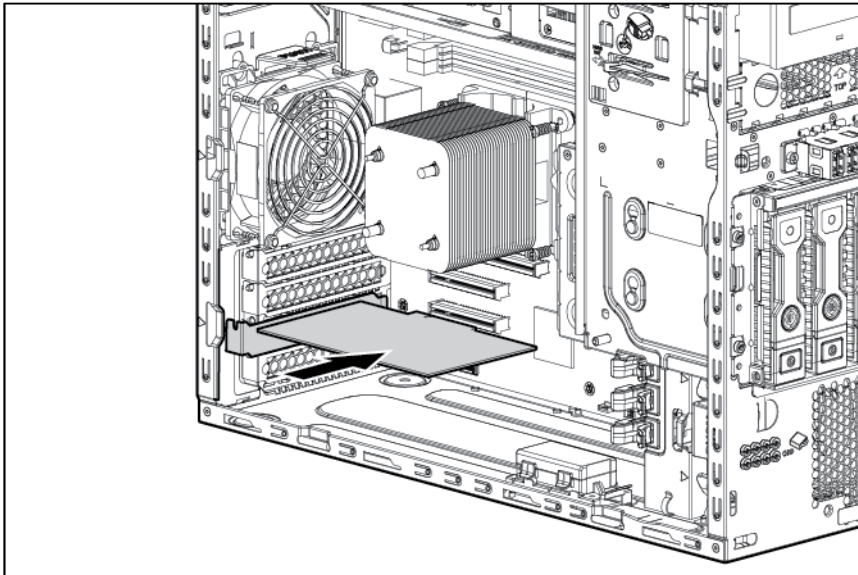
7. Identify the expansion slot compatible with the new option, and then remove the cover opposite that slot.



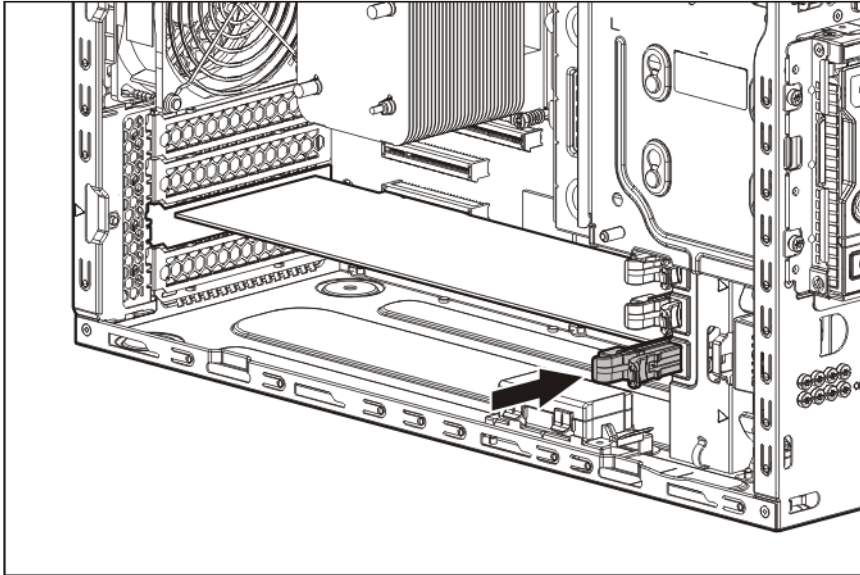
8. If installing a full-length expansion board, remove the board retainer.



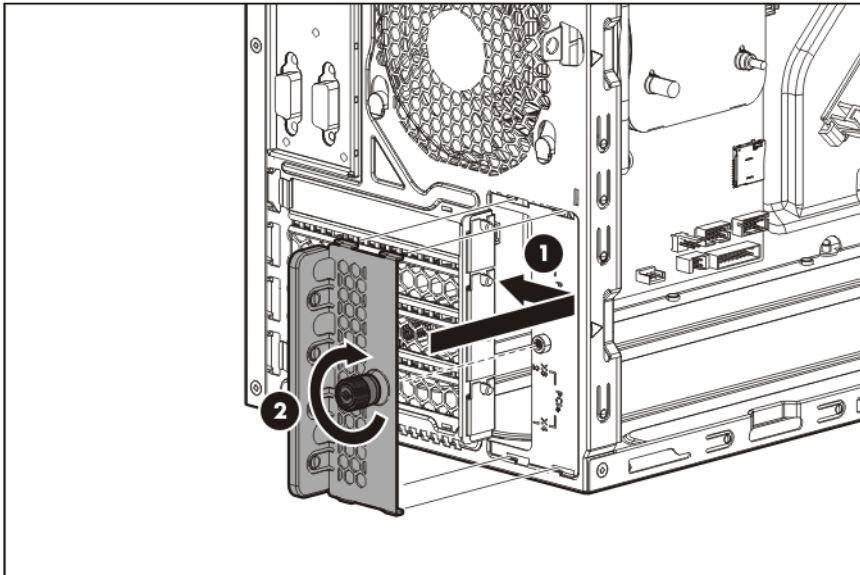
9. Install the expansion board.



10. If installing a full-length expansion board, install the board retainer that was removed.



11. Install the expansion slot cover retainer.



12. Connect all necessary internal and external cables to the expansion board. For more information on these cabling requirements, see the documentation that ships with the option.
13. Install the air baffle (on page 20).
14. Install the access panel (on page 19).
15. Lock the tower bezel.
16. Connect each power cord to the server.
17. Connect each power cord to the power source.
18. Power up the server (on page 16).

HP Trusted Platform Module option


For more information about product features, specifications, options, configurations, and compatibility, see the product QuickSpecs on the HP Product Bulletin website (<http://www.hp.com/go/productbulletin>).

Use these instructions to install and enable a TPM on a supported server. This procedure includes three sections:

1. Installing the Trusted Platform Module board.
2. Retaining the recovery key/password (on page 51).
3. Enabling the Trusted Platform Module (on page 51).

Enabling the TPM requires accessing RBSU ("HP ROM-Based Setup Utility" on page 71). For more information about RBSU, see the HP website (<http://www.hp.com/go/ilomgmtengine/docs>).


TPM installation requires the use of drive encryption technology, such as the Microsoft Windows BitLocker Drive Encryption feature. For more information on BitLocker, see the Microsoft website (<http://www.microsoft.com>).


 **CAUTION:** Always observe the guidelines in this document. Failure to follow these guidelines can cause hardware damage or halt data access.

When installing or replacing a TPM, observe the following guidelines:

- Do not remove an installed TPM. Once installed, the TPM becomes a permanent part of the system board.
- When installing or replacing hardware, HP service providers cannot enable the TPM or the encryption technology. For security reasons, only the customer can enable these features.
- When returning a system board for service replacement, do not remove the TPM from the system board. When requested, HP Service provides a TPM with the spare system board.
- Any attempt to remove an installed TPM from the system board breaks or disfigures the TPM security rivet. Upon locating a broken or disfigured rivet on an installed TPM, administrators should consider the system compromised and take appropriate measures to ensure the integrity of the system data.
- When using BitLocker, always retain the recovery key/password. The recovery key/password is required to enter Recovery Mode after BitLocker detects a possible compromise of system integrity.
- HP is not liable for blocked data access caused by improper TPM use. For operating instructions, see the encryption technology feature documentation provided by the operating system.

Installing the Trusted Platform Module board

 **WARNING:** To reduce the risk of personal injury, electric shock, or damage to the equipment, remove the power cord to remove power from the server. The front panel Power On/Standby button does not completely shut off system power. Portions of the power supply and some internal circuitry remain active until AC power is removed.

 **WARNING:** To reduce the risk of personal injury from hot surfaces, allow the drives and the internal system components to cool before touching them.

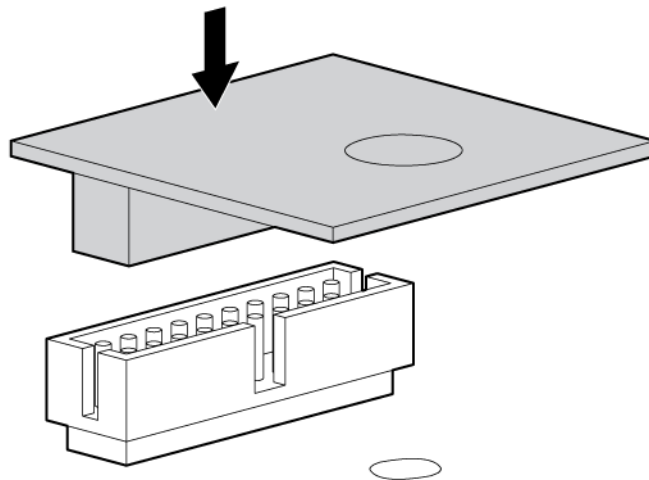
To install the component:

1. Power down the server (on page 16).

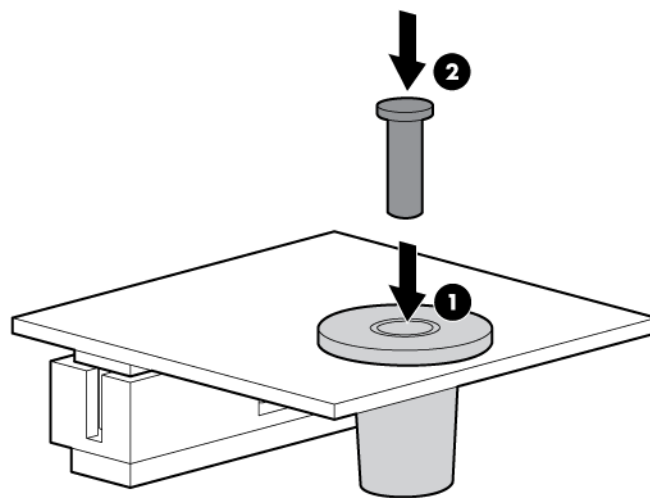
2. Unlock the tower bezel (on page 17).
3. Remove the access panel (on page 18).
4. Remove the air baffle (on page 19).

CAUTION: Any attempt to remove an installed TPM from the system board breaks or disfigures the TPM security rivet. Upon locating a broken or disfigured rivet on an installed TPM, administrators should consider the system compromised and take appropriate measures to ensure the integrity of the system data.

5. Install the TPM board. Press down on the connector to seat the board.



6. Install the TPM security rivet by pressing the rivet firmly into the system board.



7. Install the air baffle (on page 20).
8. Install the access panel (on page 19).
9. Lock the tower bezel.
10. Connect each power cord to the server.
11. Connect each power cord to the power source.

12. Power up the server (on page 16).

Retaining the recovery key/password

The recovery key/password is generated during BitLocker™ setup, and can be saved and printed after BitLocker™ is enabled. When using BitLocker™, always retain the recovery key/password. The recovery key/password is required to enter Recovery Mode after BitLocker™ detects a possible compromise of system integrity.

To help ensure maximum security, observe the following guidelines when retaining the recovery key/password:

- Always store the recovery key/password in multiple locations.
- Always store copies of the recovery key/password away from the server.
- Do not save the recovery key/password on the encrypted hard drive.

Enabling the Trusted Platform Module

1. When prompted during the start-up sequence, access RBSU by pressing the **F9** key.
2. From the Main Menu, select **Server Security**.
3. From the Server Security Menu, select **Trusted Platform Module**.
4. From the Trusted Platform Module Menu, select **TPM Functionality**.
5. Select **Enable**, and then press the **Enter** key to modify the TPM Functionality setting.
6. Press the **Esc** key to exit the current menu, or press the **F10** key to exit RBSU.
7. Reboot the server.
8. Enable the TPM in the OS. For OS-specific instructions, see the OS documentation.



CAUTION: When a TPM is installed and enabled on the server, data access is locked if you fail to follow the proper procedures for updating the system or option firmware, replacing the system board, replacing a hard drive, or modifying OS application TPM settings.

For more information on firmware updates and hardware procedures, see the *HP Trusted Platform Module Best Practices White Paper* on the HP website (<http://www.hp.com/support>).

For more information on adjusting TPM usage in BitLocker™, see the Microsoft website (<http://technet.microsoft.com/en-us/library/cc732774.aspx>).

RPS enablement option

Install the RPS enablement option to improve power efficiency and enable power redundancy. Power redundancy requires the installation of two power supply modules. Power supply modules are separately purchased options and are not part of the RPS enablement kit. When the RPS enablement option is installed, no option can be installed in the lower media drive bay.

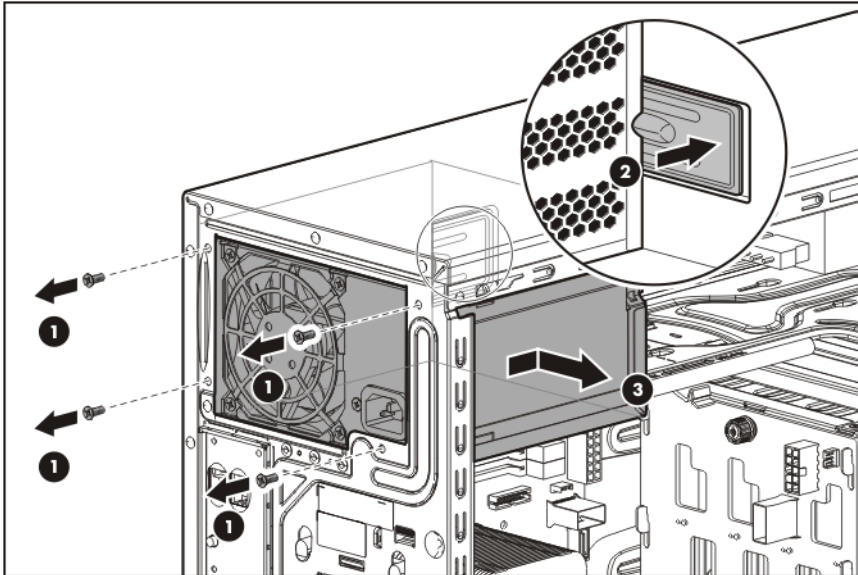


CAUTION: To prevent improper cooling and thermal damage, do not operate the server unless all bays are populated with either a component or a blank.

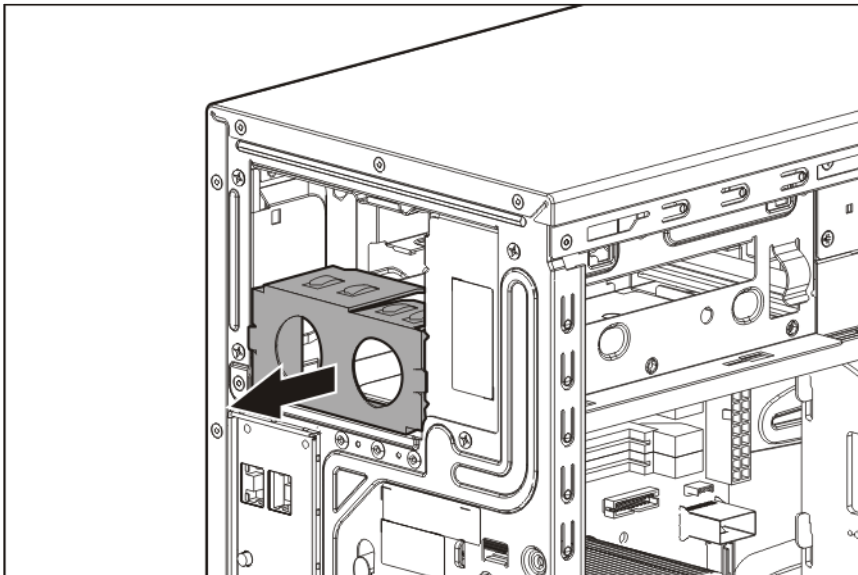
To install the component:

1. Power down the server (on page 16).

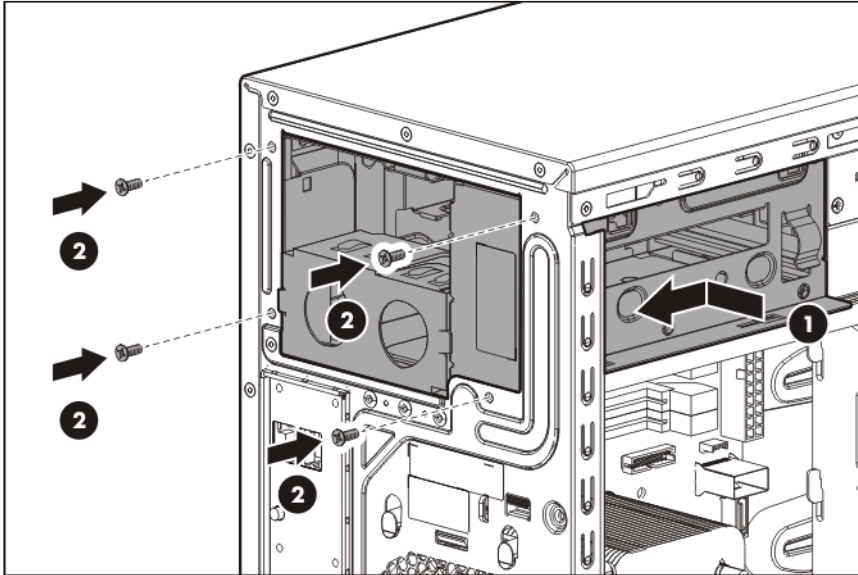
2. Remove all power:
 - a. Disconnect each power cord from the power source.
 - b. Disconnect each power cord from the server.
3. Remove the tower bezel (on page 17).
4. Remove the access panel (on page 18).
5. Disconnect all power cables from the drives and system board.
6. Remove the power supply.



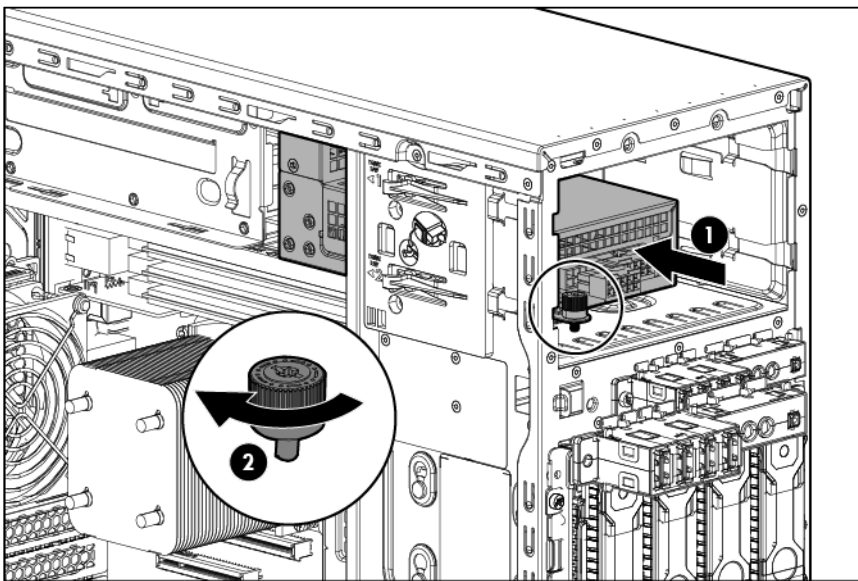
7. Disconnect all cables from installed media drives.
8. Remove all installed devices and any EMI shields from the media drive bays.



9. Install the RPS cage.



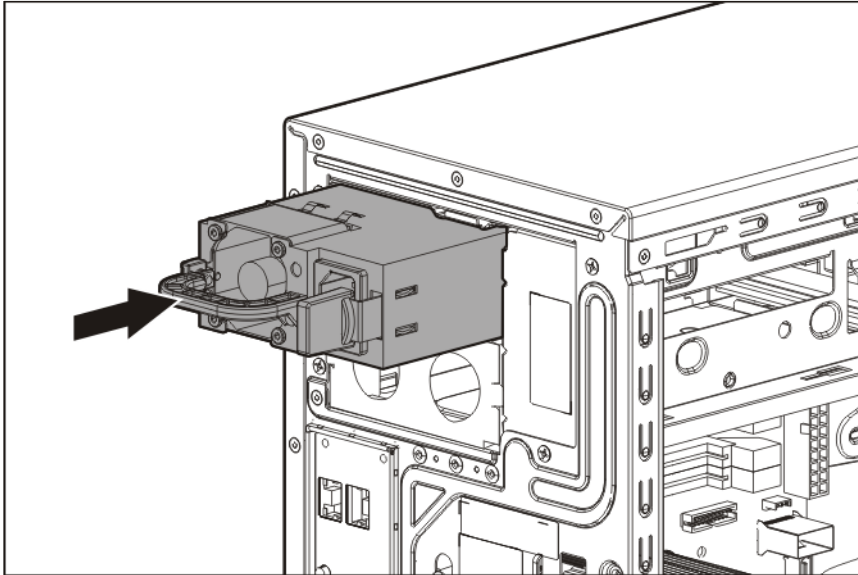
10. Insert the RPS backplane module cables into the media drive cage, and then slide the module into the lower media drive bay. Align the left edge of the module with the guide mark on the bay.



11. Connect the eight-pin to four-pin adapter cable to the eight-pin power supply connector of the RPS backplane module.
12. Connect the RPS cables to the system board. For detailed cabling information, see "Redundant power supply cabling."

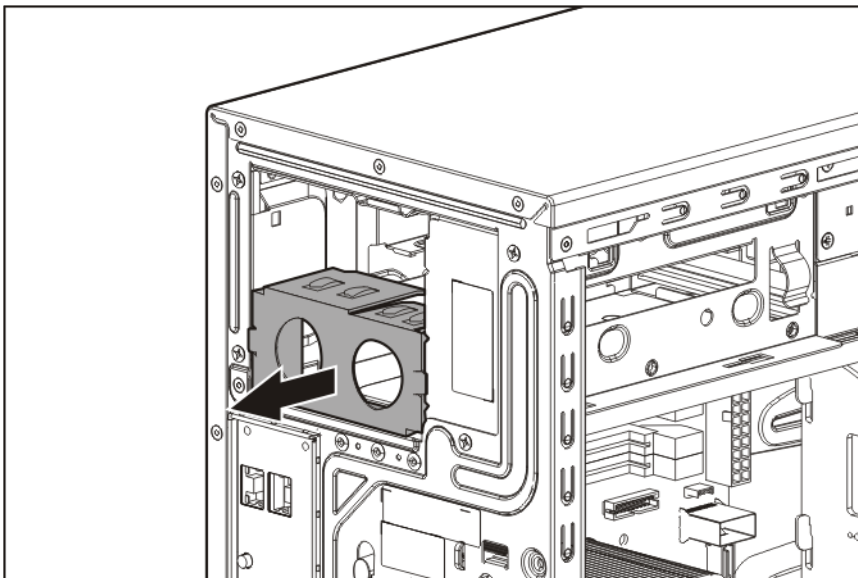
The RPS cable assembly contains one extra cable which is not utilized in this server. Ensure that the extra cable is out of the way of the connected RPS backplane module cables.

13. Install an HP common slot power supply in the upper bay of the RPS cage.

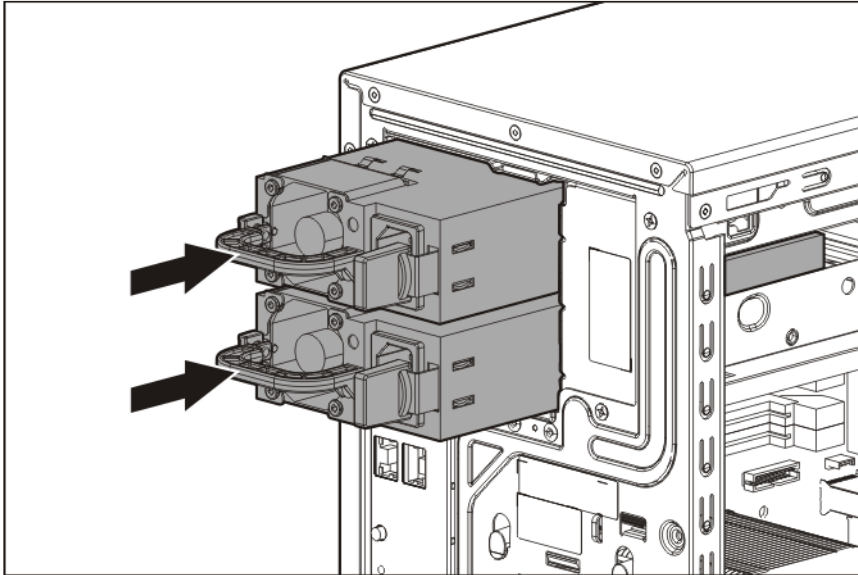


⚠ CAUTION: In a redundant power supply configuration, both power supply modules in the server must have the same output power capacity. Verify that all power supplies have the same part number and label color. The system becomes unstable and might shut down when it detects mismatched power supplies.

14. For improved power efficiency and redundancy, install two HP common slot power supplies:
 - a. Remove the EMI shield.



- b. Install the HP common slot power supplies.



15. Install any device originally installed in the upper media drive bay.
16. Install the EMI shield in the lower media drive bay.
17. Install the access panel (on page 19).
18. If the lower media bay blank is not attached to the tower bezel, install it.
19. Lock the tower bezel.
20. Connect each power cord to the server.
21. Connect each power cord to the power source.
22. Power up the server (on page 16).

Setting up the HP PS1810-24G Switch (optional)

If you intend to use the server with the companion HP PS 1810-24G Switch, follow the procedures in this section.

For more information on switch-related settings and operational procedures, see the documentation for your switch model on the HP website (<http://www.hp.com/networking/support>).

Mounting the switch with the server

Mount the switch in a rack, on a wall, or on top of or under a horizontal surface. For detailed instructions, see the *HP PS1810-24G Switch Quick Setup Guide*.

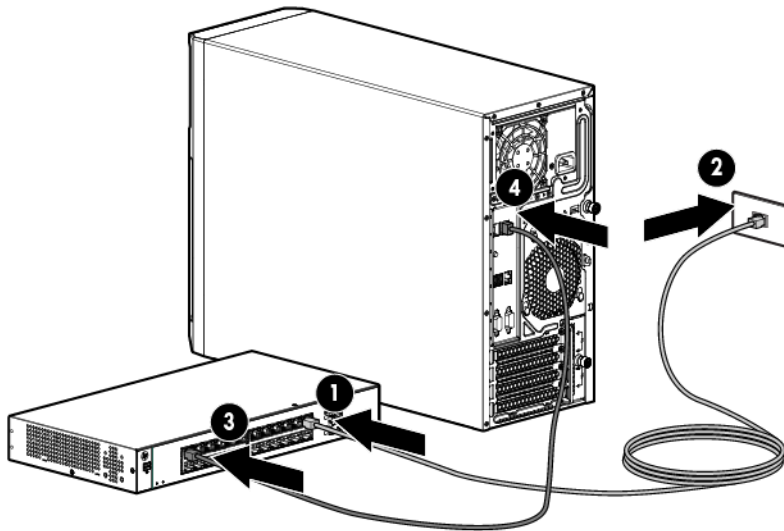
Connecting the server to the switch

You can connect the server to the switch through the following methods:

- A simple Ethernet connection with no iLO functionality
- An Ethernet connection with iLO functionality, using the dedicated iLO connector
- An Ethernet connection with iLO functionality, using the shared iLO connector

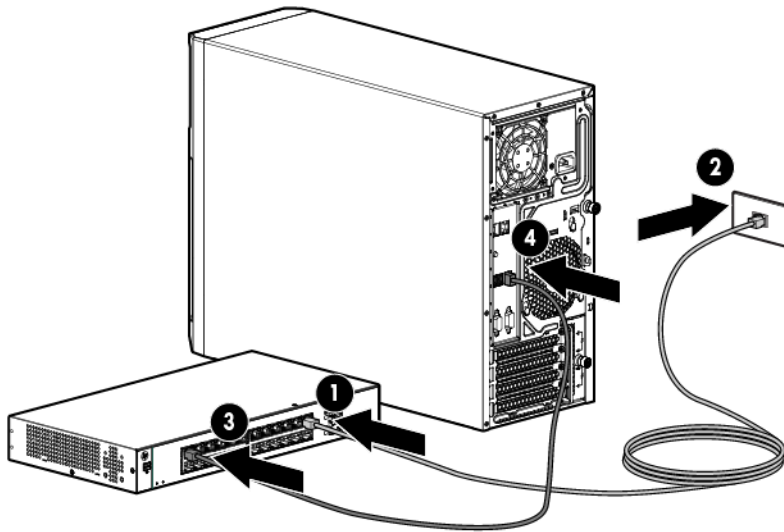
To establish a simple Ethernet connection:

1. Connect an Ethernet cable to the switch, and then connect the cable to a network jack.
2. Connect an Ethernet cable to the server NIC connector 1 or 2.
3. Connect the cable to any switch network port.



To establish an Ethernet connection with iLO functionality by using the dedicated iLO connector:

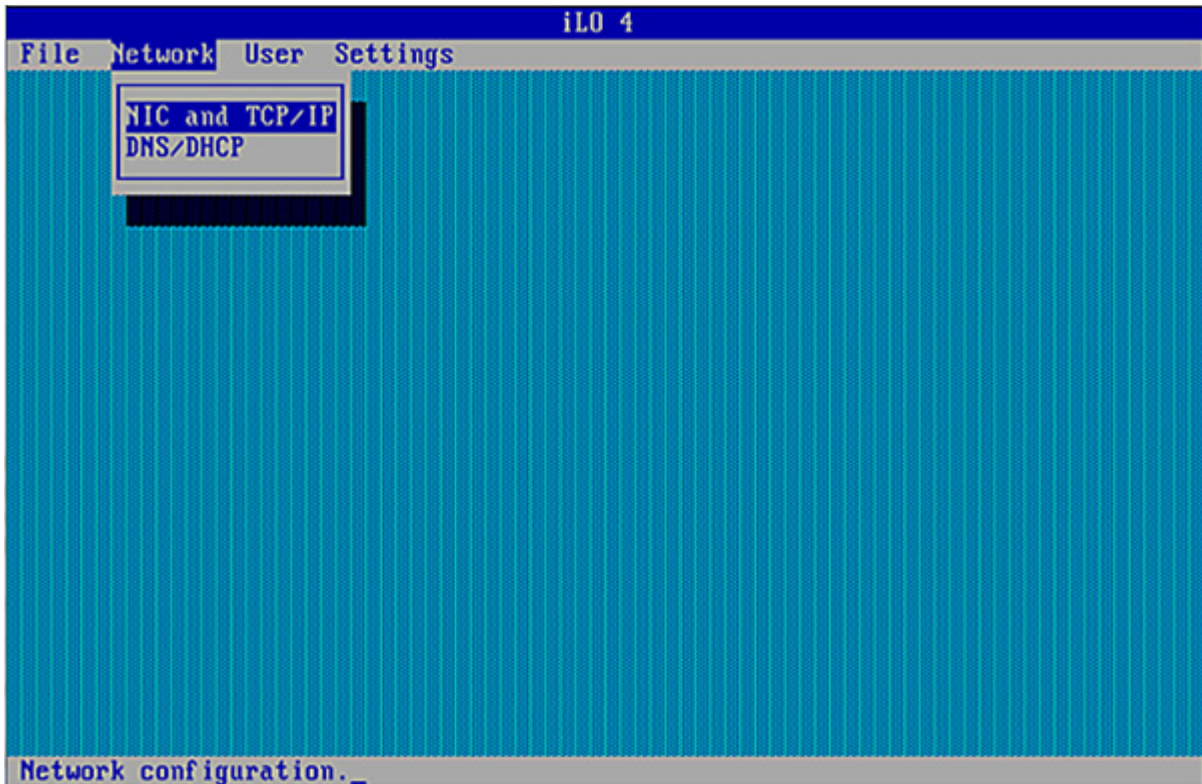
1. Connect an Ethernet cable to the switch, and then connect the cable to a network jack.
2. Connect an Ethernet cable to the server dedicated iLO connector, and then connect the cable to any switch network port.



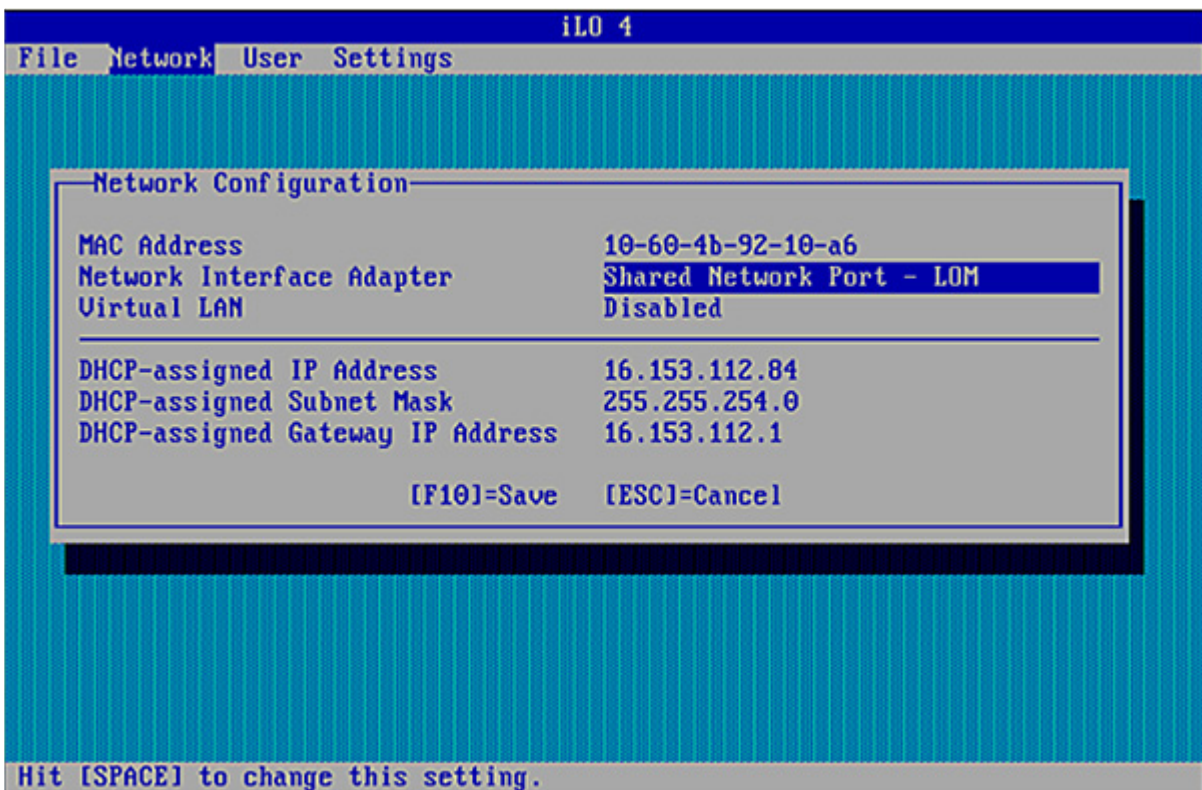
To establish an Ethernet connection with iLO functionality by using the shared iLO connector:

1. Access the iLO RBSU by rebooting the server, and then pressing **F8** during POST.

- Under the **Network** menu, select the **NIC and TCP/IP** option.

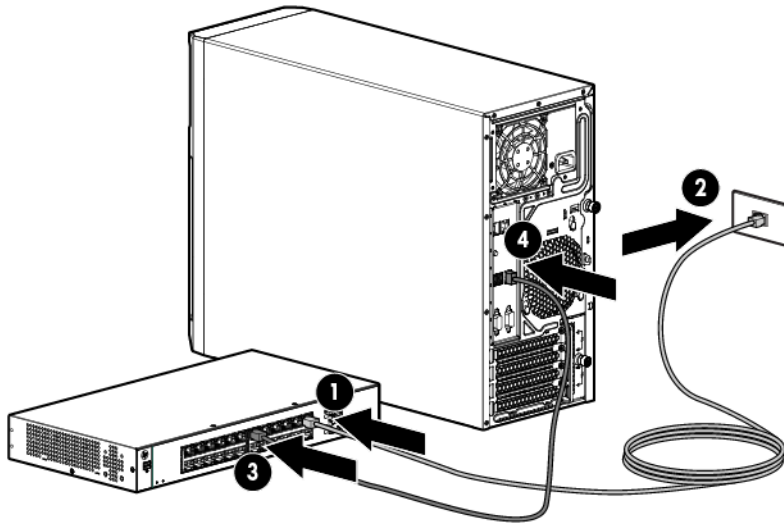


- Set the **Network Interface Adapter** field to **Shared Network Port — LOM**.



- To save the change, press **F10**.
- To close the iLO RBSU, under the **File** menu, select the **Exit** option.

6. Connect an Ethernet cable to the switch, and then connect the cable to a network jack.
7. Connect an Ethernet cable to the server NIC 1/shared iLO connector, and then connect the cable to any switch network port.




Completing the switch Self-Test

1. Connect the power adapter to the switch.
2. Connect the power adapter to the AC power source.
3. Check the status of the switch Power LED. This LED is solid green to indicate that the power connection is established.
4. Check the status of the following switch LEDs:
 - Link/Act LED on the switch network port that is being used—Initially, solid green to indicate successful connection, and then flashing green to indicate active communication with the network.
 - Fault LED—Remains off to indicate successful Self-Test completion.

For more information on the location of the switch LEDs and their behavior during the Self-Test process, see the switch documentation.

Completing the switch setup

After the Ethernet cable connection is made, check the network LED status on both the server and the switch to confirm successful connection:

- In the server front panel, the NIC status LED  —Solid green
- In the switch, the Link/Act LED on the network connector used—Initially, solid green to indicate successful connection, and then flashing green to indicate active communication with the network.

Cabling

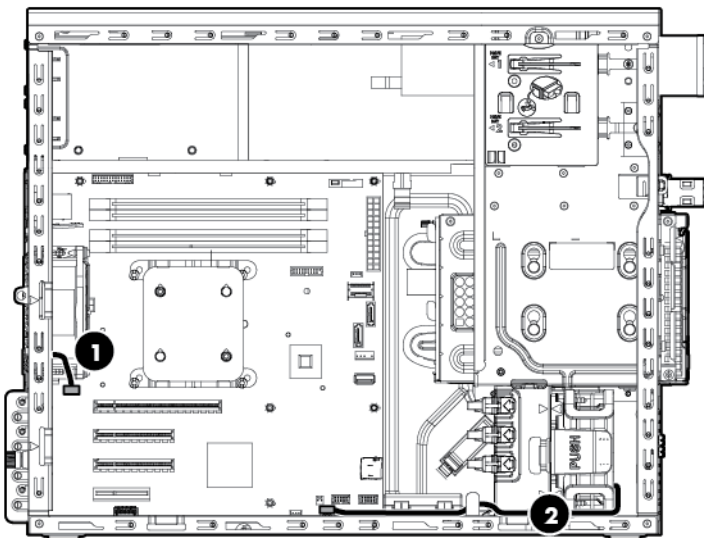
Cabling overview

This section provides guidelines to help make informed decisions about cabling the server and hardware options to optimize performance.

For information on cabling peripheral components, see the white paper on high-density deployment at the HP website (<http://www.hp.com/products/servers/platforms>).

CAUTION: When routing cables, always be sure that the cables are not in a position where they can be pinched or crimped.

System fan cabling

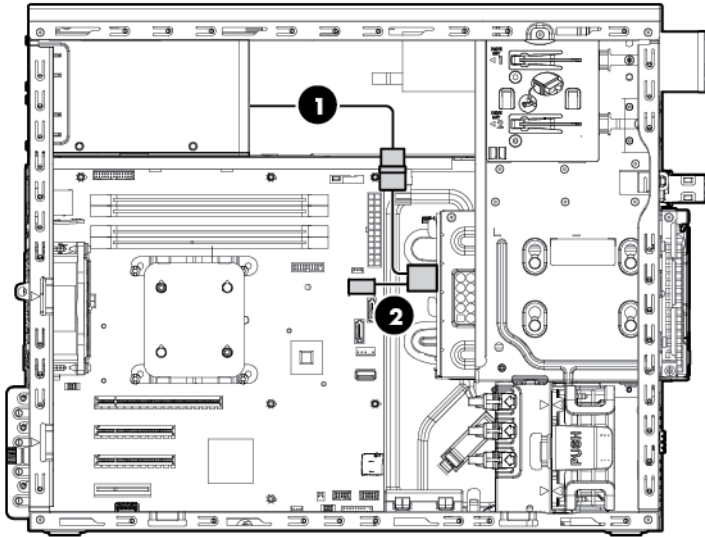


Item	Description
1	Rear system fan cable (fan 1)
2	Front system fan cable (fan 2)

Storage cabling

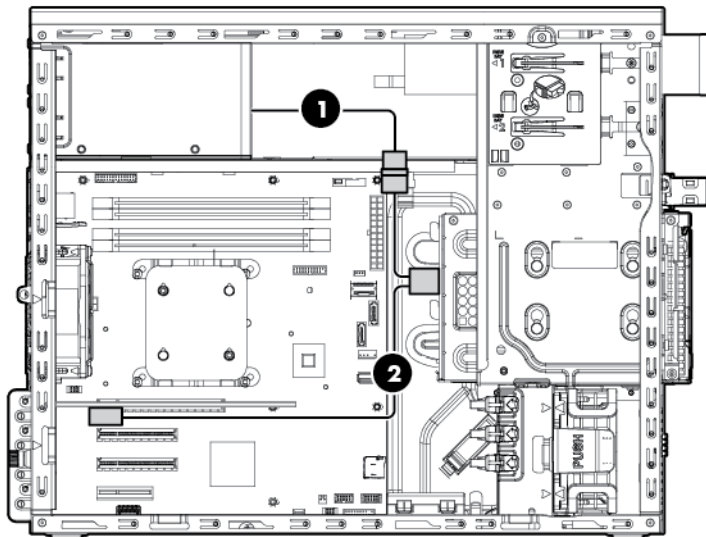
Four-bay LFF drive cabling

Non-hot-plug cage to system board, SATA drive support only



Item	Description
1	Drive cage power cable
2	Mini-SAS cable

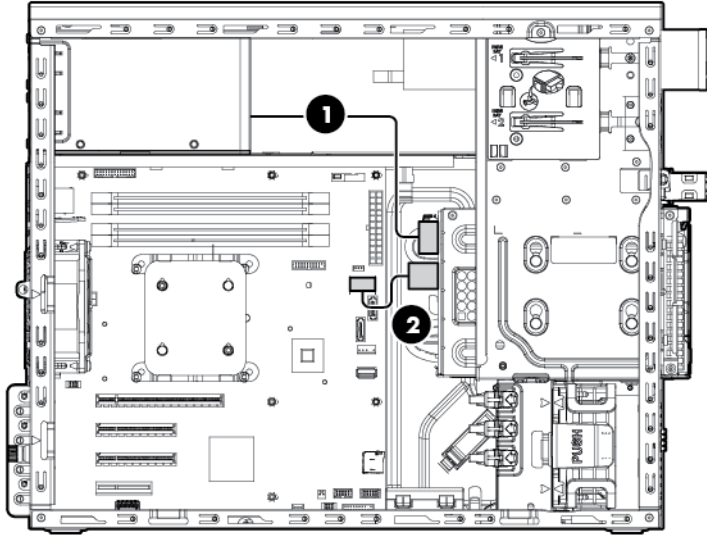
Non-hot-plug cage to controller card, SATA and SAS drive support



Item	Description
1	Drive cage power cable

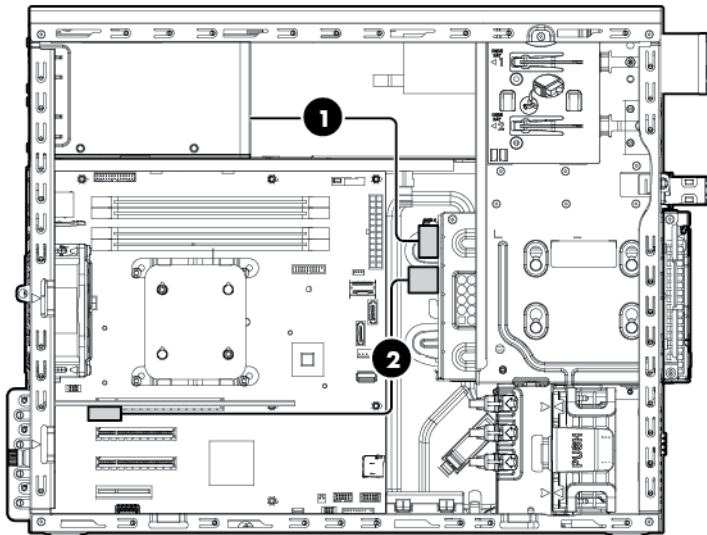
Item	Description
2	Mini-SAS cable

Hot-plug cage to system board, SATA drive support



Item	Description
1	Drive cage power cable
2	Mini-SAS cable

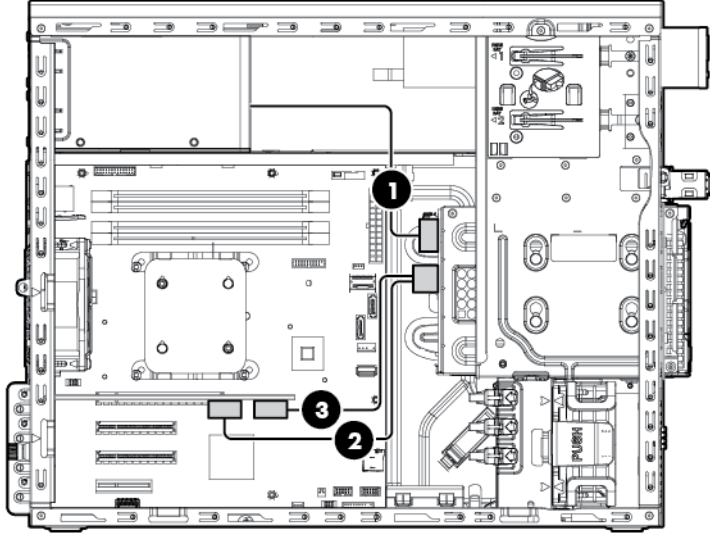
Hot-plug cage to controller card, SATA and SAS drive support



Item	Description
1	Drive cage power cable
2	Mini-SAS cable

Eight-bay SFF drive cabling

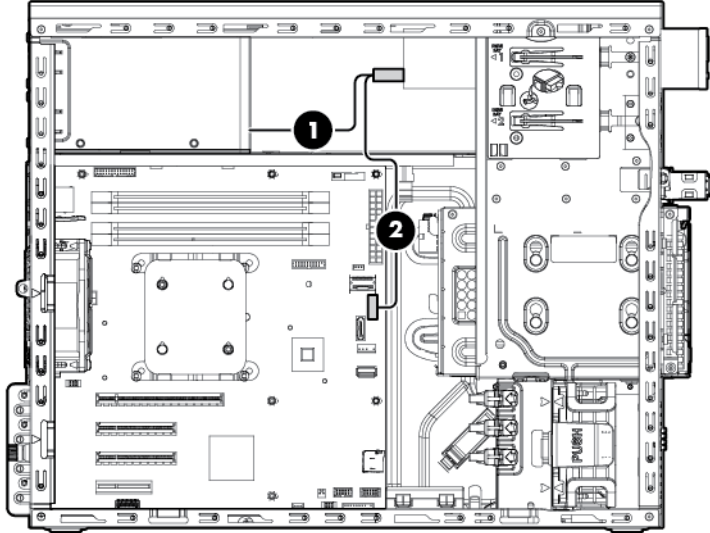
This drive configuration supports hot-plug SATA and SAS drives.



Item	Description
1	Drive cage power cable
2	Mini-SAS cable
3	Mini-SAS cable

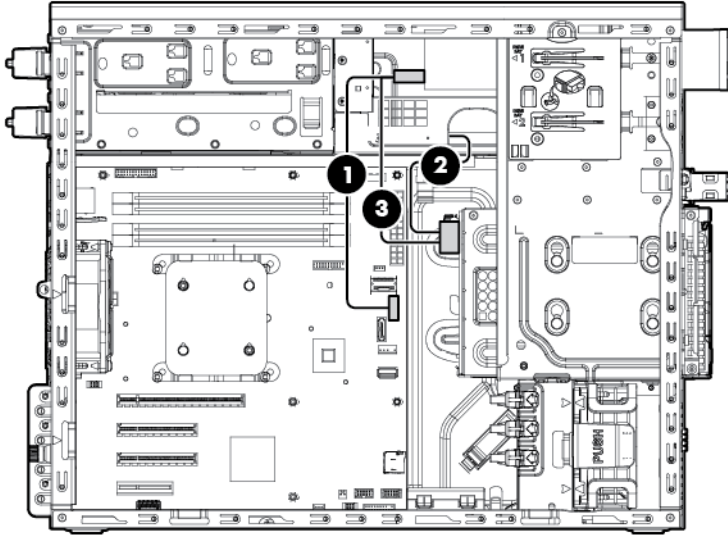
Optical drive cabling

- Optical drive in a nonredundant power configuration



Item	Description
1	Optical drive power cable
2	SATA cable

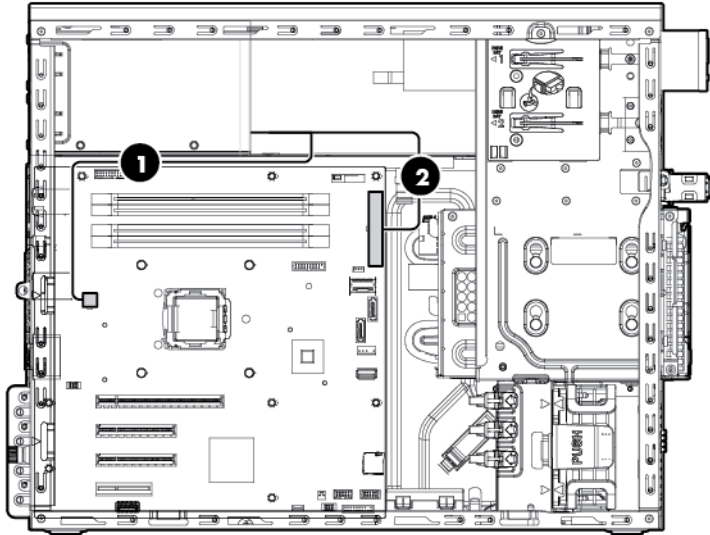
- Optical drive in a redundant power configuration



Item	Description
1	SATA cable
2	Drive cage power cable
3	Optical drive power cable

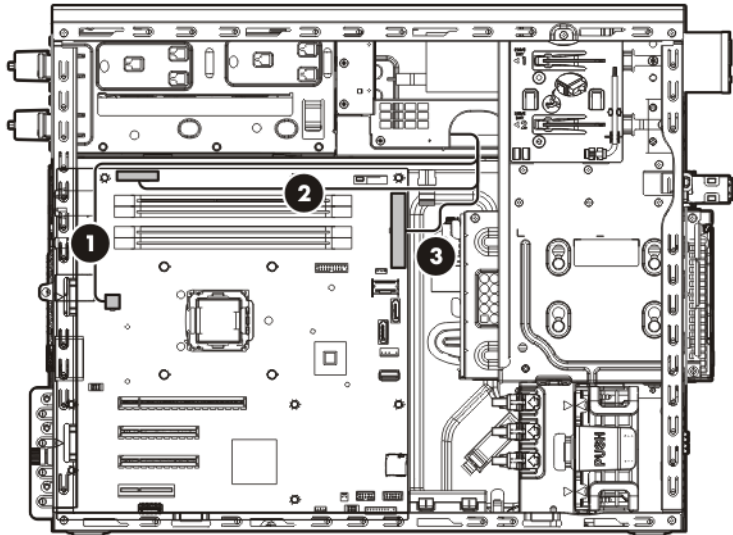
Power supply cabling

Integrated power supply cabling



Item	Description
1	4-pin power supply cable
2	24-pin power supply cable

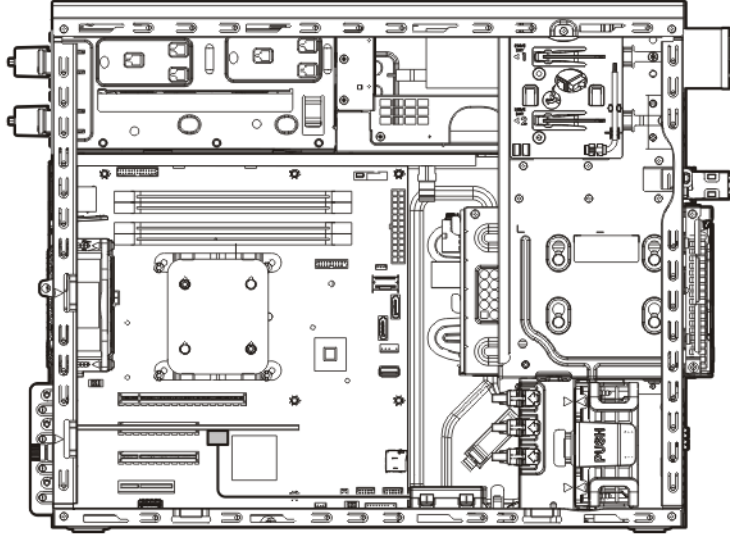
Redundant power supply cabling



Item	Description
1	4-pin power supply cable (with the 8-pin to 4-pin adapter cable connected)
2	26-pin RPS cable

Item	Description
3	24-pin power supply cable

Capacitor pack cabling



Item	Description
1	Cache module
2	FBWC capacitor pack

Software and configuration utilities

Server mode

The software and configuration utilities presented in this section operate in online mode, offline mode, or in both modes.

Software or configuration utility	Server mode
HP iLO (on page 66)	Online and Offline
Active Health System (on page 67)	Online and Offline
Integrated Management Log (on page 68)	Online and Offline
Intelligent Provisioning (on page 68)	Offline
HP Insight Diagnostics (on page 69)	Online and Offline
HP Insight Remote Support software (on page 70)	Online
HP Insight Online	Online
Erase Utility (on page 69)	Offline
Scripting Toolkit (on page 70)	Online
HP Service Pack for ProLiant (on page 70)	Online and Offline
HP Smart Update Manager (on page 71)	Online and Offline
HP ROM-Based Setup Utility (on page 71)	Offline
Array Configuration Utility (on page 73)	Online and Offline
Option ROM Configuration for Arrays (on page 74)	Offline
ROMPaq utility (on page 75)	Offline

HP product QuickSpecs

For more information about product features, specifications, options, configurations, and compatibility, see the product QuickSpecs on the HP Product Bulletin website (<http://www.hp.com/go/productbulletin>).

HP iLO Management Engine

The HP iLO Management Engine is a set of embedded management features supporting the complete lifecycle of the server, from initial deployment through ongoing management.

HP iLO

The iLO subsystem is a standard component of selected HP ProLiant servers that simplifies initial server setup, server health monitoring, power and thermal optimization, and remote server administration. The iLO subsystem includes an intelligent microprocessor, secure memory, and a dedicated network interface. This design makes iLO independent of the host server and its operating system.

iLO enables and manages the Active Health System (on page 67) and also features Agentless Management. All key internal subsystems are monitored by iLO. SNMP alerts are sent directly by iLO regardless of the host operating system or even if no host operating system is installed.

HP Insight Remote Support software (on page 70) is also available in HP iLO with no operating system software, drivers, or agents.

Using iLO, you can do the following:

- Access a high-performance and secure Remote Console to the server from anywhere in the world.
- Use the shared iLO Remote Console to collaborate with up to six server administrators.
- Remotely mount high-performance Virtual Media devices to the server.
- Securely and remotely control the power state of the managed server.
- Have true Agentless Management with SNMP alerts from iLO regardless of the state of the host server.
- Access Active Health System troubleshooting features through the iLO interface.
- Subscribe to HP Insight Remote Support software without installing any drivers or agents.

For more information about iLO features (which may require an iLO Advanced Pack or iLO Advanced for BladeSystem license), see the iLO documentation on the Documentation CD or on the HP website (<http://www.hp.com/go/ilo/docs>).

Active Health System

HP Active Health System provides the following features:

- Combined diagnostics tools/scanners
- Always on, continuous monitoring for increased stability and shorter downtimes
- Rich configuration history
- Health and service alerts
- Easy export and upload to Service and Support

The HP Active Health System monitors and records changes in the server hardware and system configuration. The Active Health System assists in diagnosing problems and delivering rapid resolution when server failures occur.

The Active Health System collects the following types of data:

- Server model
- Serial number
- Processor model and speed
- Storage capacity and speed
- Memory capacity and speed
- Firmware/BIOS

HP Active Health System does not collect information about Active Health System users' operations, finances, customers, employees, partners, or data center, such as IP addresses, host names, user names, and passwords. HP Active Health System does not parse or change operating system data from third-party error event log activities, such as content created or passed through by the operating system.

The data that is collected is managed according to the HP Data Privacy policy. For more information see the HP website (<http://www.hp.com/go/privacy>).

The Active Health System log, in conjunction with the system monitoring provided by Agentless Management or SNMP Pass-thru, provides continuous monitoring of hardware and configuration changes, system status, and service alerts for various server components.

The Agentless Management Service is available in the SPP, which is a disk image (.iso) that you can download from the HP website (<http://www.hp.com/go/spp/download>). The Active Health System log can be downloaded manually from iLO or HP Intelligent Provisioning and sent to HP. For more information, see the *HP iLO User Guide* or *HP Intelligent Provisioning User Guide* on the HP website (<http://www.hp.com/go/ilo/docs>).

Integrated Management Log

The IML records hundreds of events and stores them in an easy-to-view form. The IML timestamps each event with 1-minute granularity.

You can view recorded events in the IML in several ways, including the following:

- From within HP SIM
- From within operating system-specific IML viewers
 - For Windows: IML Viewer
 - For Linux: IML Viewer Application
- From within the iLO user interface
- From within HP Insight Diagnostics (on page 69)

Intelligent Provisioning

Several packaging changes have taken place with HP ProLiant Gen8 servers: SmartStart CDs and the Smart Update Firmware DVD will no longer ship with these new servers. Instead, the deployment capability is embedded in the server as part of HP iLO Management Engine's Intelligent Provisioning.

Intelligent Provisioning is an essential single-server deployment tool embedded in HP ProLiant Gen8 servers that simplifies HP ProLiant server setup, providing a reliable and consistent way to deploy HP ProLiant server configurations.

- Intelligent Provisioning assists with the OS installation process by preparing the system for installing "off-the-shelf" versions of leading operating system software and automatically integrating optimized HP ProLiant server support software from SPP. SPP is the installation package for operating system-specific bundles of HP ProLiant optimized drivers, utilities, management agents, and system firmware.
- Intelligent Provisioning provides maintenance-related tasks through Perform Maintenance features.
- Intelligent Provisioning provides installation help for Microsoft Windows, Red Hat and SUSE Linux, and VMware. For specific OS support, see the *HP Intelligent Provisioning Release Notes* on the HP website (<http://www.hp.com/go/intelligentprovisioning/docs>).

For more information about Intelligent Provisioning software, see the HP website (<http://www.hp.com/go/intelligentprovisioning>). For more information about Intelligent Provisioning drivers, firmware, and SPP, see the HP website (<http://www.hp.com/go/spp/download>).

HP Insight Diagnostics

HP Insight Diagnostics is a proactive server management tool, available in both offline and online versions, that provides diagnostics and troubleshooting capabilities to assist IT administrators who verify server installations, troubleshoot problems, and perform repair validation.

HP Insight Diagnostics Offline Edition performs various in-depth system and component testing while the OS is not running. To run this utility, boot the server using Intelligent Provisioning (on page 68).

HP Insight Diagnostics Online Edition is a web-based application that captures system configuration and other related data needed for effective server management. Available in Microsoft Windows and Linux versions, the utility helps to ensure proper system operation.

For more information or to download the utility, see the HP website (<http://www.hp.com/servers/diags>). HP Insight Diagnostics Online Edition is also available in the SPP. For more information, see the HP website (<http://www.hp.com/go/spp/download>).

HP Insight Diagnostics survey functionality

HP Insight Diagnostics (on page 69) provides survey functionality that gathers critical hardware and software information on ProLiant servers.

This functionality supports operating systems that are supported by the server. For operating systems supported by the server, see the HP website (<http://www.hp.com/go/supportos>).

If a significant change occurs between data-gathering intervals, the survey function marks the previous information and overwrites the survey data files to reflect the latest changes in the configuration.

Survey functionality is installed with every Intelligent Provisioning-assisted HP Insight Diagnostics installation, or it can be installed through the SPP ("HP Service Pack for ProLiant" on page 70).

Erase Utility



CAUTION: Perform a backup before running the System Erase Utility. The utility sets the system to its original factory state, deletes the current hardware configuration information, including array setup and disk partitioning, and erases all connected hard drives completely. Refer to the instructions for using this utility.

Use the Erase Utility to erase hard drives and Active Health System logs, and to reset RBSU settings. Run the Erase Utility if you must erase the system for the following reasons:

- You want to install a new operating system on a server with an existing operating system.
- You encounter an error when completing the steps of a factory-installed operating system installation.

To access the Erase Utility, click the Perform Maintenance icon from the Intelligent Provisioning home screen, and then select **Erase**.

Run the Erase utility to:

- **Do not erase** — does not erase hard drive operations.
- **Reset** — erases the master boot record for the hard drives so they are no longer bootable.
- **Secure erase** — performs an overwrite pattern erase so no data is recoverable.

After selecting the appropriate option, click **Erase Selected**. A Confirm Erase window is displayed, prompting you to confirm or cancel the Erase.

HP Insight Remote Support software

HP strongly recommends that you install HP Insight Remote Support software to complete the installation or upgrade of your product and to enable enhanced delivery of your HP Warranty, HP Care Pack Service, or HP contractual support agreement. HP Insight Remote Support supplements your monitoring continuously to ensure maximum system availability by providing intelligent event diagnosis, and automatic, secure submission of hardware event notifications to HP, which will initiate a fast and accurate resolution, based on your product's service level. Notifications may be sent to your authorized HP Channel Partner for onsite service, if configured and available in your country.

The HP Insight Remote Support software extends the HP enterprise remote support portfolio for customers with small and medium size IT environments. The software is available in two variants:

- **HP Insight Remote Support 7.x software** is optimized to support up to 500 managed systems and can be installed on a Windows ProLiant hosting device or a Windows ESXi Virtual Machine. It can be integrated easily to work with a supported version of HP Systems Insight Manager. HP Insight Remote Support 7.x provides anytime, anywhere personalized access to your IT environment through HP Insight Online, and is also the recommended version for HP Proactive Care Service.
- **HP Insight Remote Support Advanced** supports medium-sized to large environments with up to 3,500 devices. It can be installed on a Windows ProLiant hosting device or a Windows ESXi Virtual Machine and requires HP Systems Insight Manager. Optionally, customers using HP Operations Manager or SAP Solution Manager to manage their environment can integrate these platforms easily to create a single view. This software is also optimized to deliver Mission Critical Services through additional features.

For more information about the Insight Remote Support Advanced software, see the HP website (<http://www.hp.com/go/insightremotesupport>).

The *HP Insight Remote Support Release Notes* detail the prerequisites, supported hardware, and associated operating systems. The release notes are available on the HP website (<http://www.hp.com/go/insightremotesupport/docs>). HP Insight Remote Support is included as part of HP Warranty, HP Care Pack Service, or HP contractual support agreement.

Scripting Toolkit

The Scripting Toolkit is a server deployment product that enables you to build an unattended automated installation for high-volume server deployments. The Scripting Toolkit is designed to support ProLiant BL, ML, DL, and SL servers. The toolkit includes a modular set of utilities and important documentation that describes how to apply these tools to build an automated server deployment process.

The Scripting Toolkit provides a flexible way to create standard server configuration scripts. These scripts are used to automate many of the manual steps in the server configuration process. This automated server configuration process cuts time from each deployment, making it possible to scale rapid, high-volume server deployments.

For more information, and to download the Scripting Toolkit, see the HP website (<http://www.hp.com/go/ProLiantSTK>).

HP Service Pack for ProLiant

SPP is a release set that contains a comprehensive collection of firmware and system software components, all tested together as a single solution stack for HP ProLiant servers, their options, BladeSystem enclosures, and limited HP external storage.

SPP has several key features for updating HP ProLiant servers. Using HP SUM as the deployment tool, SPP can be used in an online mode on a Windows or Linux hosted operating system, or in an offline mode where the server is booted to the ISO so that the server can be updated automatically with no user interaction or updated in interactive mode.

For more information or to download SPP, see the HP website (<http://www.hp.com/go/spp>).

HP Smart Update Manager

HP SUM is included in many HP products for installing and updating firmware and software on HP ProLiant servers. HP SUM provides a GUI and a command-line scriptable interface for deployment of firmware and software for single or one-to-many HP ProLiant servers and network-based targets, such as iLOs, OAs, and VC Ethernet and Fibre Channel modules.

Key features of HP SUM include:

- Dependency checking, which ensures appropriate installation order and dependency checking between components
- Intelligent deployment of only required updates
- Simultaneous firmware and software deployment for multiple remote targets in both GUI and CLI modes
- Improved deployment performance
- Local online deployment of HP ProLiant servers and enclosures
- Remote (one-to-many) online deployment of HP ProLiant servers and enclosures
- Local offline firmware deployments with HP Support Pack for ProLiant deliverables
- Remote offline deployment when used with the Scripting Toolkit (HP ProLiant Gen8 and later), iLO Virtual Media, or PXE booted media
- GUI or CLI scripts with extensive logging
- Remote command-line deployment
- Support for updating firmware on network-based targets such as the OA, iLO through the Network Management Port, VC Ethernet and Fibre Channel modules, and 3Gb/6Gb SAS BL Switch interconnects on HP ProLiant servers

For more information about HP SUM and to access the *HP Smart Update Manager User Guide*, see the HP website (<http://www.hp.com/go/hpsum/documentation>).

HP ROM-Based Setup Utility

RBSU is a configuration utility embedded in HP ProLiant servers that performs a wide range of configuration activities that can include the following:

- Configuring system devices and installed options
- Enabling and disabling system features
- Displaying system information
- Selecting the primary boot controller
- Configuring memory options
- Language selection

For more information on RBSU, see the *HP ROM-Based Setup Utility User Guide* on the Documentation CD or the HP website (<http://www.hp.com/support/rbsu>).

Using RBSU

To use RBSU, use the following keys:

- To access RBSU, press the **F9** key during power-up when prompted.
- To navigate the menu system, use the arrow keys.
- To make selections, press the **Enter** key.
- To access Help for a highlighted configuration option, press the **F1** key.



IMPORTANT: RBSU automatically saves settings when you press the **Enter** key. The utility does not prompt you for confirmation of settings before you exit the utility. To change a selected setting, you must select a different setting and press the **Enter** key.

Default configuration settings are applied to the server at one of the following times:

- Upon the first system power-up
- After defaults have been restored

Default configuration settings are sufficient for proper typical server operation, but configuration settings can be modified using RBSU. The system will prompt you for access to RBSU with each power-up.

Auto-configuration process

The auto-configuration process automatically runs when you boot the server for the first time. During the power-up sequence, the system ROM automatically configures the entire system without needing any intervention. During this process, the ORCA utility, in most cases, automatically configures the array to a default setting based on the number of drives connected to the server.

NOTE: If the boot drive is not empty or has been written to in the past, ORCA does not automatically configure the array. You must run ORCA to configure the array settings.

NOTE: The server may not support all the following examples.

Drives installed	Drives used	RAID level
1	1	RAID 0
2	2	RAID 1
3, 4, 5, or 6	3, 4, 5, or 6	RAID 5
More than 6	0	None

To change any ORCA default settings and override the auto-configuration process, press the **F8** key when prompted.

For more information on RBSU, see the *HP ROM-Based Setup Utility User Guide* on the Documentation CD or the HP website (<http://www.hp.com/support/rbsu>).

Boot options

Near the end of the boot process, the boot options screen is displayed. This screen is visible for several seconds before the system attempts to boot from a supported boot device. During this time, you can do the following:

- Access RBSU by pressing the **F9** key.
- Access Intelligent Provisioning Maintenance Menu by pressing the **F10** key.
- Access the boot menu by pressing the **F11** key.
- Force a PXE Network boot by pressing the **F12** key.

Re-entering the server serial number and product ID

After you replace the system board, you must re-enter the server serial number and the product ID.

1. During the server startup sequence, press the **F9** key to access RBSU.
2. Select the **Advanced Options** menu.
3. Select **Service Options**.
4. Select **Serial Number**. The following warning appears:
Warning: The serial number should ONLY be modified by qualified service personnel. This value should always match the serial number located on the chassis.
5. Press the **Enter** key to clear the warning.
6. Enter the serial number and press the **Enter** key.
7. Select **Product ID**. The following warning appears:
Warning: The Product ID should ONLY be modified by qualified service personnel. This value should always match the Product ID located on the chassis.
8. Enter the product ID and press the **Enter** key.
9. Press the **Esc** key to close the menu.
10. Press the **Esc** key to exit RBSU.
11. Press the **F10** key to confirm exiting RBSU. The server automatically reboots.

Utilities and features

Array Configuration Utility

ACU is a utility with the following features:

- Runs as a local application or remote service accessed through the HP System Management Homepage
- Supports online array capacity expansion, logical drive extension, assignment of online spares, and RAID or stripe size migration
- Suggests the optimum configuration for an unconfigured system
- For supported controllers, provides access to licensed features, including:
 - Moving and deleting individual logical volumes

- Advanced Capacity Expansion (SATA to SAS and SAS to SATA)
- Offline Split Mirror
- RAID 6 and RAID 60
- RAID 1 (ADM) and RAID 10 (ADM)
- HP Drive Erase
- Video-On-Demand Advanced Controller Settings
- Provides different operating modes, enabling faster configuration or greater control over the configuration options
- Remains available any time that the server is on
- Displays on-screen tips for individual steps of a configuration procedure
- Provides context-sensitive searchable help content
- Provides diagnostic and SmartSSD Wear Gauge functionality on the Diagnostics tab

ACU is now available as an embedded utility, starting with HP ProLiant Gen8 servers. To access ACU, use one of the following methods:

- If an optional controller is not installed, press **F10** during boot.
- If an optional controller is installed, when the system recognizes the controller during POST, press **F5**.

For optimum performance, the minimum display settings are 1024 × 768 resolution and 16-bit color. Servers running Microsoft® operating systems require one of the following supported browsers:

- Internet Explorer 6.0 or later
- Mozilla Firefox 2.0 or later

For Linux servers, see the README.TXT file for additional browser and support information.

For more information about the controller and its features, see the *HP Smart Array Controllers for HP ProLiant Servers User Guide* on the HP website (http://www.hp.com/support/SAC_UG_ProLiantServers_en). To configure arrays, see the *Configuring Arrays on HP Smart Array Controllers Reference Guide* on the HP website (http://www.hp.com/support/CASAC_RG_en).

Option ROM Configuration for Arrays

Before installing an operating system, you can use the ORCA utility to create the first logical drive, assign RAID levels, and establish online spare configurations.

The utility also provides support for the following functions:

- Reconfiguring one or more logical drives
- Viewing the current logical drive configuration
- Deleting a logical drive configuration
- Setting the controller to be the boot controller
- Selecting the boot volume

If you do not use the utility, ORCA will default to the standard configuration.

For more information regarding the default configurations that ORCA uses, see the *HP ROM-Based Setup Utility User Guide* on the Documentation CD or the HP website (<http://www.hp.com/support/rbsu>).

For more information about the controller and its features, see the *HP Smart Array Controllers for HP ProLiant Servers User Guide* on the HP website (http://www.hp.com/support/SAC_UG_ProLiantServers_en). To configure arrays, see the *Configuring Arrays on HP Smart Array Controllers Reference Guide* on the HP website (http://www.hp.com/support/CASAC_RG_en).

ROMPaq utility

The ROMPaq utility enables you to upgrade the system firmware (BIOS). To upgrade the firmware, insert a ROMPaq USB Key into an available USB port and boot the system. In addition to ROMPaq, Online Flash Components for Windows and Linux operating systems are available for updating the system firmware.

The ROMPaq utility checks the system and provides a choice (if more than one exists) of available firmware revisions.

For more information, go to the HP website (<http://www.hp.com/go/hpsc>) and click on **Drivers, Software & Firmware**. Then, enter your product name in the **Find an HP product** field and click **Go**.

Automatic Server Recovery

ASR is a feature that causes the system to restart when a catastrophic operating system error occurs, such as a blue screen, ABEND (does not apply to HP ProLiant DL980 Servers), or panic. A system fail-safe timer, the ASR timer, starts when the System Management driver, also known as the Health Driver, is loaded. When the operating system is functioning properly, the system periodically resets the timer. However, when the operating system fails, the timer expires and restarts the server.

ASR increases server availability by restarting the server within a specified time after a system hang. At the same time, the HP SIM console notifies you by sending a message to a designated pager number that ASR has restarted the system. You can disable ASR from the System Management Homepage or through RBSU.

USB support

HP provides standard USB 2.0 support, standard USB 3.0 support, and legacy USB support. Standard support is provided by the OS through the appropriate USB device drivers.

Before the OS loads, HP provides support for USB 2.0 devices through legacy USB support, which is enabled by default in the system ROM. USB 3.0 ports are not functional before the OS loads. The native OS provides USB 3.0 support through appropriate xHCI drivers.

Legacy USB support provides USB functionality in environments where USB support is not available normally. Specifically, HP provides legacy USB functionality for the following:

- POST
- RBSU
- Diagnostics
- DOS
- Operating environments which do not provide native USB support

For Windows Server 2008 R2 SP1, you must download the USB 3.0 driver from the HP website (<http://www.hp.com/go/hpsc>).

Redundant ROM support

The server enables you to upgrade or configure the ROM safely with redundant ROM support. The server has a single ROM that acts as two separate ROM images. In the standard implementation, one side of the ROM contains the current ROM program version, while the other side of the ROM contains a backup version.

NOTE: The server ships with the same version programmed on each side of the ROM.

Safety and security benefits

When you flash the system ROM, ROMPaq writes over the backup ROM and saves the current ROM as a backup, enabling you to switch easily to the alternate ROM version if the new ROM becomes corrupted for any reason. This feature protects the existing ROM version, even if you experience a power failure while flashing the ROM.

Keeping the system current

Drivers



IMPORTANT: Always perform a backup before installing or updating device drivers.

The server includes new hardware that may not have driver support on all OS installation media.

If you are installing an Intelligent Provisioning-supported OS, use Intelligent Provisioning (on page 68) and its Configure and Install feature to install the OS and latest supported drivers.

If you do not use Intelligent Provisioning to install an OS, drivers for some of the new hardware are required. These drivers, as well as other option drivers, ROM images, and value-add software can be downloaded as part of an SPP.

If you are installing drivers from SPP, be sure that you are using the latest SPP version that your server supports. To verify that your server is using the latest supported version and for more information about SPP, see the HP website (<http://www.hp.com/go/spp/download>).

To locate the drivers for a particular server, go to the HP website (<http://www.hp.com/go/hpsc>) and click on **Drivers, Software & Firmware**. Then, enter your product name in the **Find an HP product** field and click **Go**.

Software and firmware

Software and firmware should be updated before using the server for the first time, unless any installed software or components require an older version. For system software and firmware updates, download the SPP ("HP Service Pack for ProLiant" on page 70) from the HP website (<http://www.hp.com/go/spp>).

Version control

The VCRM and VCA are web-enabled Insight Management Agents tools that HP SIM uses to schedule software update tasks to the entire enterprise.

- VCRM manages the repository for SPP. Administrators can view the SPP contents or configure VCRM to automatically update the repository with internet downloads of the latest software and firmware from HP.
- VCA compares installed software versions on the node with updates available in the VCRM managed repository. Administrators configure VCA to point to a repository managed by VCRM.

For more information about version control tools, see the *HP Systems Insight Manager User Guide*, the *HP Version Control Agent User Guide*, and the *HP Version Control Repository User Guide* on the HP website (<http://www.hp.com/go/hpsim>).

HP operating systems and virtualization software support for ProLiant servers

For information about specific versions of a supported operating system, see the HP website (<http://www.hp.com/go/ossupport>).

HP Technology Service Portfolio

HP Technology Services offers a targeted set of consultancy, deployment, and service solutions to meet the support needs of most business and IT environments.

Foundation Care services—Delivers scalable hardware and software support packages for HP ProLiant server and industry-standard software. You can choose the type and level of service that is most suitable for your business needs.

HP Collaborative Support—With a single call, HP addresses initial hardware and software support needs and helps to quickly identify if a problem is related to hardware or software. If the problem is related to hardware, HP resolves the problem according to service level commitments. If the reported incident is related to an HP software product or a supported third-party software product and cannot be resolved by applying known fixes, HP contacts the third-party vendor and creates a problem incident on your behalf.

HP Proactive Care—For customers running business critical environments where downtime is not an option, HP Proactive Care helps to deliver high levels of availability. Key to these service options is the delivery of proactive service management tools to help you avoid the causes of downtime. If a problem arises, then HP offers advanced technical response from critical system support specialists for problem identification and resolution.

HP Support Center—For all service options, the HP Support Center delivers the information, tools, and experts required to support HP business products.

HP Insight Remote Support—Provides 24x7 secure remote monitoring, diagnosis, and problem resolution.

For more information, see one of the following websites:

- HP ProLiant Server Services website (<http://www.hp.com/services/proliant>)
- HP BladeSystem Services website (<http://www.hp.com/services/bladesystem>)

Change control and proactive notification

HP offers Change Control and Proactive Notification to notify customers 30 to 60 days in advance of upcoming hardware and software changes on HP commercial products.

For more information, refer to the HP website (<http://www.hp.com/go/pcn>).

Troubleshooting

Troubleshooting resources

The *HP ProLiant Gen8 Troubleshooting Guide, Volume I: Troubleshooting* provides procedures for resolving common problems and comprehensive courses of action for fault isolation and identification, issue resolution, and software maintenance on ProLiant servers and server blades. To view the guide, select a language:

- English (http://www.hp.com/support/ProLiant_TSG_v1_en)
- French (http://www.hp.com/support/ProLiant_TSG_v1_fr)
- Spanish (http://www.hp.com/support/ProLiant_TSG_v1_sp)
- German (http://www.hp.com/support/ProLiant_TSG_v1_gr)
- Japanese (http://www.hp.com/support/ProLiant_TSG_v1_jp)
- Simplified Chinese (http://www.hp.com/support/ProLiant_TSG_v1_sc)

The *HP ProLiant Gen8 Troubleshooting Guide, Volume II: Error Messages* provides a list of error messages and information to assist with interpreting and resolving error messages on ProLiant servers and server blades. To view the guide, select a language:

- English (http://www.hp.com/support/ProLiant_EMG_v1_en)
- French (http://www.hp.com/support/ProLiant_EMG_v1_fr)
- Spanish (http://www.hp.com/support/ProLiant_EMG_v1_sp)
- German (http://www.hp.com/support/ProLiant_EMG_v1_gr)
- Japanese (http://www.hp.com/support/ProLiant_EMG_v1_jp)
- Simplified Chinese (http://www.hp.com/support/ProLiant_EMG_v1_sc)

System battery replacement

If the server no longer automatically displays the correct date and time, then replace the battery that provides power to the real-time clock. Under normal use, battery life is 5 to 10 years.

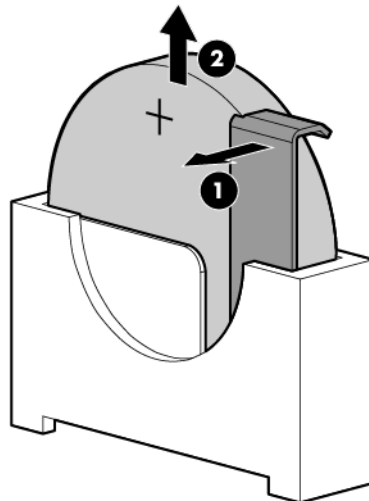


WARNING: The computer contains an internal lithium manganese dioxide, a vanadium pentoxide, or an alkaline battery pack. A risk of fire and burns exists if the battery pack is not properly handled. To reduce the risk of personal injury:

- Do not attempt to recharge the battery.
 - Do not expose the battery to temperatures higher than 60°C (140°F).
 - Do not disassemble, crush, puncture, short external contacts, or dispose of in fire or water.
 - Replace only with the spare designated for this product.
-

To remove the component:

1. Power down the server (on page 16).
2. Remove all power:
 - a. Disconnect each power cord from the power source.
 - b. Disconnect each power cord from the server.
3. Unlock the tower bezel (on page 17).
4. Remove the access panel (on page 18).
5. Locate the battery on the system board.
6. Remove the battery.



IMPORTANT: Replacing the system board battery resets the system ROM to its default configuration. After replacing the battery, reconfigure the system through RBSU.

To replace the component, reverse the removal procedure.

For more information about battery replacement or proper disposal, contact an authorized reseller or an authorized service provider.

Regulatory information

Safety and regulatory compliance

For safety, environmental, and regulatory information, see *Safety and Compliance Information for Server, Storage, Power, Networking, and Rack Products*, available at the HP website (<http://www.hp.com/support/Safety-Compliance-EnterpriseProducts>).

Turkey RoHS material content declaration

Türkiye Cumhuriyeti: EEE Yönetmeliğine Uygundur

Ukraine RoHS material content declaration

Обладнання відповідає вимогам Технічного регламенту щодо обмеження використання деяких небезпечних речовин в електричному та електронному обладнанні, затвердженого постановою Кабінету Міністрів України від 3 грудня 2008 № 1057

Warranty information

HP ProLiant and X86 Servers and Options (<http://www.hp.com/support/ProLiantServers-Warranties>)

HP Enterprise Servers (<http://www.hp.com/support/EnterpriseServers-Warranties>)

HP Storage Products (<http://www.hp.com/support/Storage-Warranties>)

HP Networking Products (<http://www.hp.com/support/Networking-Warranties>)

Electrostatic discharge

Preventing electrostatic discharge

To prevent damaging the system, be aware of the precautions you need to follow when setting up the system or handling parts. A discharge of static electricity from a finger or other conductor may damage system boards or other static-sensitive devices. This type of damage may reduce the life expectancy of the device.

To prevent electrostatic damage:

- Avoid hand contact by transporting and storing products in static-safe containers.
- Keep electrostatic-sensitive parts in their containers until they arrive at static-free workstations.
- Place parts on a grounded surface before removing them from their containers.
- Avoid touching pins, leads, or circuitry.
- Always be properly grounded when touching a static-sensitive component or assembly.

Grounding methods to prevent electrostatic discharge

Several methods are used for grounding. Use one or more of the following methods when handling or installing electrostatic-sensitive parts:

- Use a wrist strap connected by a ground cord to a grounded workstation or computer chassis. Wrist straps are flexible straps with a minimum of 1 megohm \pm 10 percent resistance in the ground cords. To provide proper ground, wear the strap snug against the skin.
- Use heel straps, toe straps, or boot straps at standing workstations. Wear the straps on both feet when standing on conductive floors or dissipating floor mats.
- Use conductive field service tools.
- Use a portable field service kit with a folding static-dissipating work mat.

If you do not have any of the suggested equipment for proper grounding, have an authorized reseller install the part.

For more information on static electricity or assistance with product installation, contact an authorized reseller.

Specifications

Environmental specifications

Specification	Value
Temperature range*	
Operating	10° C to 35° C (50° F to 95° F)
Nonoperating	-30° C to 60° C (-22° F to 140° F)
Relative humidity (noncondensing)	
Operating, maximum wet bulb temperature of 28°C (82.4°F)	10% to 90%
Nonoperating, maximum wet bulb temperature of 38.7°C (101.7°F)	5% to 95%

* All temperature ratings shown are for sea level. An altitude derating of 1° C per 304.8 m (1.8° F per 1,000 ft) to 3048 m (10,000 ft) is applicable. No direct sunlight allowed.

Server specifications

Specification	Tower model	Rack model
Height	36.82 cm (14.50 in)	17.50 cm (6.89 in)
Depth	47.52 cm (18.71 in)	47.52 cm (18.71 in)
Width	17.50 cm (6.89 in)	36.82 cm (14.50 in)
Weight, minimum with SFF drive cage	11.00 kg (24.22 lb)	11.00 kg (24.22 lb)
Weight, maximum with SFF drive cage	17.00 kg (37.44 lb)	17.00 kg (37.44 lb)
Weight, minimum with LFF drive cage	11.90 kg (26.21 lb)	11.90 kg (26.21 lb)
Weight, maximum with LFF drive cage	19.00 kg (41.85 lb)	19.00 kg (41.85 lb)

Power supply specifications

Depending on installed options, the server is configured with one of the following power supplies:

- HP 350 W 4U Integrated Power Supply
- HP 460 W CS Gold Hot-plug Power Supply (92% efficiency)



CAUTION: Check the system and power supply input ratings before powering up the server.

HP 350 W 4U Integrated Power Supply

Specification	Value
Input requirements	—
Rated input voltage	100 V AC to 240 V AC
Rated input frequency	47 Hz to 63 Hz
Rated input current	6 A
Rated input power	440 W at 100 V AC input 440 W at 200 V AC input
Efficiency	No less than 82% at 100% load No less than 85% at 50% load No less than 82% at 20% load
Power supply output	—
Rated steady-state power	350 W at 100 V AC input 350 W at 200 V AC input
Maximum peak power	400 W at 100 V AC input 400 W at 200 V AC input
Rated output power	350 W

HP 460 W CS Gold Hot-plug Power Supply (92% efficiency)

Specification	Value
Input requirements	—
Rated input voltage	100 V AC to 240 V AC
Rated input frequency	50 Hz to 60 Hz
Rated input current	6 A to 3 A
Rated input power	526 W at 115 V AC input 523 W at 230 V AC input
Power supply output	—
Efficiency	Not less than 87.5% at 100% load Not less than 89.5% at 50% load Not less than 87.5% at 20% load
Rated steady-state power	460 W at 100 V to 120 V AC input 460 W at 200 V to 240 V AC input
Maximum peak power	460 W at 100 V to 120 V AC input 460 W at 200 V to 240 V AC input

Hot-plug power supply calculations

For hot-plug power supply specifications and calculators to determine electrical and heat loading for the server, see the HP Power Advisor website (<http://www.hp.com/go/hppoweradvisor>).

Support and other resources

Before you contact HP

Be sure to have the following information available before you call HP:

- Active Health System log (HP ProLiant Gen8 or later products)
Download and have available an Active Health System log for 3 days before the failure was detected. For more information, see the *HP iLO 4 User Guide* or *HP Intelligent Provisioning User Guide* on the HP website (<http://www.hp.com/go/ilo/docs>).
- Onboard Administrator SHOW ALL report (for HP BladeSystem products only)
For more information on obtaining the Onboard Administrator SHOW ALL report, see the HP website (<http://www.hp.com/go/OAlog>).
- Technical support registration number (if applicable)
- Product serial number
- Product model name and number
- Product identification number
- Applicable error messages
- Add-on boards or hardware
- Third-party hardware or software
- Operating system type and revision level

HP contact information

For United States and worldwide contact information, see the Contact HP website (<http://www.hp.com/go/assistance>).

In the United States:

- To contact HP by phone, call 1-800-334-5144. For continuous quality improvement, calls may be recorded or monitored.
- If you have purchased a Care Pack (service upgrade), see the Support & Drivers website (<http://www8.hp.com/us/en/support-drivers.html>). If the problem cannot be resolved at the website, call 1-800-633-3600. For more information about Care Packs, see the HP website (<http://pro-aq-sama.houston.hp.com/services/cache/10950-0-0-225-121.html>).

Customer Self Repair

HP products are designed with many Customer Self Repair (CSR) parts to minimize repair time and allow for greater flexibility in performing defective parts replacement. If during the diagnosis period HP (or HP service

providers or service partners) identifies that the repair can be accomplished by the use of a CSR part, HP will ship that part directly to you for replacement. There are two categories of CSR parts:

- **Mandatory**—Parts for which customer self repair is mandatory. If you request HP to replace these parts, you will be charged for the travel and labor costs of this service.
- **Optional**—Parts for which customer self repair is optional. These parts are also designed for customer self repair. If, however, you require that HP replace them for you, there may or may not be additional charges, depending on the type of warranty service designated for your product.

NOTE: Some HP parts are not designed for customer self repair. In order to satisfy the customer warranty, HP requires that an authorized service provider replace the part. These parts are identified as "No" in the Illustrated Parts Catalog.

Based on availability and where geography permits, CSR parts will be shipped for next business day delivery. Same day or four-hour delivery may be offered at an additional charge where geography permits. If assistance is required, you can call the HP Technical Support Center and a technician will help you over the telephone. HP specifies in the materials shipped with a replacement CSR part whether a defective part must be returned to HP. In cases where it is required to return the defective part to HP, you must ship the defective part back to HP within a defined period of time, normally five (5) business days. The defective part must be returned with the associated documentation in the provided shipping material. Failure to return the defective part may result in HP billing you for the replacement. With a customer self repair, HP will pay all shipping and part return costs and determine the courier/carrier to be used.

For more information about HP's Customer Self Repair program, contact your local service provider. For the North American program, refer to the HP website (<http://www.hp.com/go/selfrepair>).

Réparation par le client (CSR)

Les produits HP comportent de nombreuses pièces CSR (Customer Self Repair = réparation par le client) afin de minimiser les délais de réparation et faciliter le remplacement des pièces défectueuses. Si pendant la période de diagnostic, HP (ou ses partenaires ou mainteneurs agréés) détermine que la réparation peut être effectuée à l'aide d'une pièce CSR, HP vous l'envoie directement. Il existe deux catégories de pièces CSR:

Obligatoire - Pièces pour lesquelles la réparation par le client est obligatoire. Si vous demandez à HP de remplacer ces pièces, les coûts de déplacement et main d'œuvre du service vous seront facturés.

Facultatif - Pièces pour lesquelles la réparation par le client est facultative. Ces pièces sont également conçues pour permettre au client d'effectuer lui-même la réparation. Toutefois, si vous demandez à HP de remplacer ces pièces, l'intervention peut ou non vous être facturée, selon le type de garantie applicable à votre produit.

REMARQUE: Certaines pièces HP ne sont pas conçues pour permettre au client d'effectuer lui-même la réparation. Pour que la garantie puisse s'appliquer, HP exige que le remplacement de la pièce soit effectué par un Mainteneur Agréé. Ces pièces sont identifiées par la mention "Non" dans le Catalogue illustré.

Les pièces CSR sont livrées le jour ouvré suivant, dans la limite des stocks disponibles et selon votre situation géographique. Si votre situation géographique le permet et que vous demandez une livraison le jour même ou dans les 4 heures, celle-ci vous sera facturée. Pour bénéficier d'une assistance téléphonique, appelez le Centre d'assistance technique HP. Dans les documents envoyés avec la pièce de rechange CSR, HP précise s'il est nécessaire de lui retourner la pièce défectueuse. Si c'est le cas, vous devez le faire dans le délai indiqué, généralement cinq (5) jours ouvrés. La pièce et sa documentation doivent être retournées dans l'emballage fourni. Si vous ne retournez pas la pièce défectueuse, HP se réserve le droit de vous facturer les coûts de remplacement. Dans le cas d'une pièce CSR, HP supporte l'ensemble des frais d'expédition et de retour, et détermine la société de courses ou le transporteur à utiliser.

Pour plus d'informations sur le programme CSR de HP, contactez votre Mainteneur Agréé local. Pour plus d'informations sur ce programme en Amérique du Nord, consultez le site Web HP (<http://www.hp.com/go/selfrepair>).

Riparazione da parte del cliente

Per abbreviare i tempi di riparazione e garantire una maggiore flessibilità nella sostituzione di parti difettose, i prodotti HP sono realizzati con numerosi componenti che possono essere riparati direttamente dal cliente (CSR, Customer Self Repair). Se in fase di diagnostica HP (o un centro di servizi o di assistenza HP) identifica il guasto come riparabile mediante un ricambio CSR, HP lo spedisce direttamente al cliente per la sostituzione. Vi sono due categorie di parti CSR:

Obbligatorie – Parti che devono essere necessariamente riparate dal cliente. Se il cliente ne affida la riparazione ad HP, deve sostenere le spese di spedizione e di manodopera per il servizio.

Opzionali – Parti la cui riparazione da parte del cliente è facoltativa. Si tratta comunque di componenti progettati per questo scopo. Se tuttavia il cliente ne richiede la sostituzione ad HP, potrebbe dover sostenere spese aggiuntive a seconda del tipo di garanzia previsto per il prodotto.

NOTA: alcuni componenti HP non sono progettati per la riparazione da parte del cliente. Per rispettare la garanzia, HP richiede che queste parti siano sostituite da un centro di assistenza autorizzato. Tali parti sono identificate da un "No" nel Catalogo illustrato dei componenti.

In base alla disponibilità e alla località geografica, le parti CSR vengono spedite con consegna entro il giorno lavorativo seguente. La consegna nel giorno stesso o entro quattro ore è offerta con un supplemento di costo solo in alcune zone. In caso di necessità si può richiedere l'assistenza telefonica di un addetto del centro di supporto tecnico HP. Nel materiale fornito con una parte di ricambio CSR, HP specifica se il cliente deve restituire dei componenti. Qualora sia richiesta la resa ad HP del componente difettoso, lo si deve spedire ad HP entro un determinato periodo di tempo, generalmente cinque (5) giorni lavorativi. Il componente difettoso deve essere restituito con la documentazione associata nell'imballo di spedizione fornito. La mancata restituzione del componente può comportare la fatturazione del ricambio da parte di HP. Nel caso di riparazione da parte del cliente, HP sostiene tutte le spese di spedizione e resa e sceglie il corriere/vettore da utilizzare.

Per ulteriori informazioni sul programma CSR di HP contattare il centro di assistenza di zona. Per il programma in Nord America fare riferimento al sito Web HP (<http://www.hp.com/go/selfrepair>).

Customer Self Repair

HP Produkte enthalten viele CSR-Teile (Customer Self Repair), um Reparaturzeiten zu minimieren und höhere Flexibilität beim Austausch defekter Bauteile zu ermöglichen. Wenn HP (oder ein HP Servicepartner) bei der Diagnose feststellt, dass das Produkt mithilfe eines CSR-Teils repariert werden kann, sendet Ihnen HP dieses Bauteil zum Austausch direkt zu. CSR-Teile werden in zwei Kategorien unterteilt:

Zwingend – Teile, für die das Customer Self Repair-Verfahren zwingend vorgegeben ist. Wenn Sie den Austausch dieser Teile von HP vornehmen lassen, werden Ihnen die Anfahrt- und Arbeitskosten für diesen Service berechnet.

Optional – Teile, für die das Customer Self Repair-Verfahren optional ist. Diese Teile sind auch für Customer Self Repair ausgelegt. Wenn Sie jedoch den Austausch dieser Teile von HP vornehmen lassen möchten, können bei diesem Service je nach den für Ihr Produkt vorgesehenen Garantiebedingungen zusätzliche Kosten anfallen.

HINWEIS: Einige Teile sind nicht für Customer Self Repair ausgelegt. Um den Garantieanspruch des Kunden zu erfüllen, muss das Teil von einem HP Servicepartner ersetzt werden. Im illustrierten Teilekatalog sind diese Teile mit „No“ bzw. „Nein“ gekennzeichnet.

CSR-Teile werden abhängig von der Verfügbarkeit und vom Lieferziel am folgenden Geschäftstag geliefert. Für bestimmte Standorte ist eine Lieferung am selben Tag oder innerhalb von vier Stunden gegen einen Aufpreis verfügbar. Wenn Sie Hilfe benötigen, können Sie das HP technische Support Center anrufen und sich von einem Mitarbeiter per Telefon helfen lassen. Den Materialien, die mit einem CSR-Ersatzteil geliefert werden, können Sie entnehmen, ob das defekte Teil an HP zurückgeschickt werden muss. Wenn es erforderlich ist, das defekte Teil an HP zurückzuschicken, müssen Sie dies innerhalb eines vorgegebenen Zeitraums tun, in der Regel innerhalb von fünf (5) Geschäftstagen. Das defekte Teil muss mit der zugehörigen Dokumentation in der Verpackung zurückgeschickt werden, die im Lieferumfang enthalten ist. Wenn Sie das defekte Teil nicht zurückschicken, kann HP Ihnen das Ersatzteil in Rechnung stellen. Im Falle von Customer Self Repair kommt HP für alle Kosten für die Lieferung und Rücksendung auf und bestimmt den Kurier-/Frachtdienst.

Weitere Informationen über das HP Customer Self Repair Programm erhalten Sie von Ihrem Servicepartner vor Ort. Informationen über das CSR-Programm in Nordamerika finden Sie auf der HP Website unter (<http://www.hp.com/go/selfrepair>).

Reparaciones del propio cliente

Los productos de HP incluyen muchos componentes que el propio usuario puede reemplazar (*Customer Self Repair*, CSR) para minimizar el tiempo de reparación y ofrecer una mayor flexibilidad a la hora de realizar sustituciones de componentes defectuosos. Si, durante la fase de diagnóstico, HP (o los proveedores o socios de servicio de HP) identifica que una reparación puede llevarse a cabo mediante el uso de un componente CSR, HP le enviará dicho componente directamente para que realice su sustitución. Los componentes CSR se clasifican en dos categorías:

- **Obligatorio:** componentes para los que la reparación por parte del usuario es obligatoria. Si solicita a HP que realice la sustitución de estos componentes, tendrá que hacerse cargo de los gastos de desplazamiento y de mano de obra de dicho servicio.
- **Opcional:** componentes para los que la reparación por parte del usuario es opcional. Estos componentes también están diseñados para que puedan ser reparados por el usuario. Sin embargo, si precisa que HP realice su sustitución, puede o no conllevar costes adicionales, dependiendo del tipo de servicio de garantía correspondiente al producto.

NOTA: Algunos componentes no están diseñados para que puedan ser reparados por el usuario. Para que el usuario haga valer su garantía, HP pone como condición que un proveedor de servicios autorizado realice la sustitución de estos componentes. Dichos componentes se identifican con la palabra "No" en el catálogo ilustrado de componentes.

Según la disponibilidad y la situación geográfica, los componentes CSR se enviarán para que lleguen a su destino al siguiente día laborable. Si la situación geográfica lo permite, se puede solicitar la entrega en el mismo día o en cuatro horas con un coste adicional. Si precisa asistencia técnica, puede llamar al Centro de asistencia técnica de HP y recibirá ayuda telefónica por parte de un técnico. Con el envío de materiales para la sustitución de componentes CSR, HP especificará si los componentes defectuosos deberán devolverse a HP. En aquellos casos en los que sea necesario devolver algún componente a HP, deberá hacerlo en el periodo de tiempo especificado, normalmente cinco días laborables. Los componentes defectuosos deberán devolverse con toda la documentación relacionada y con el embalaje de envío. Si no enviara el componente defectuoso requerido, HP podrá cobrarle por el de sustitución. En el caso de todas

sustituciones que lleve a cabo el cliente, HP se hará cargo de todos los gastos de envío y devolución de componentes y escogerá la empresa de transporte que se utilice para dicho servicio.

Para obtener más información acerca del programa de Reparaciones del propio cliente de HP, póngase en contacto con su proveedor de servicios local. Si está interesado en el programa para Norteamérica, visite la página web de HP siguiente (<http://www.hp.com/go/selfrepair>).

Customer Self Repair

Veel onderdelen in HP producten zijn door de klant zelf te repareren, waardoor de reparatieduur tot een minimum beperkt kan blijven en de flexibiliteit in het vervangen van defecte onderdelen groter is. Deze onderdelen worden CSR-onderdelen (Customer Self Repair) genoemd. Als HP (of een HP Service Partner) bij de diagnose vaststelt dat de reparatie kan worden uitgevoerd met een CSR-onderdeel, verzendt HP dat onderdeel rechtstreeks naar u, zodat u het defecte onderdeel daarmee kunt vervangen. Er zijn twee categorieën CSR-onderdelen:

Verplicht: Onderdelen waarvoor reparatie door de klant verplicht is. Als u HP verzoekt deze onderdelen voor u te vervangen, worden u voor deze service reiskosten en arbeidsloon in rekening gebracht.

Optioneel: Onderdelen waarvoor reparatie door de klant optioneel is. Ook deze onderdelen zijn ontworpen voor reparatie door de klant. Als u echter HP verzoekt deze onderdelen voor u te vervangen, kunnen daarvoor extra kosten in rekening worden gebracht, afhankelijk van het type garanteservice voor het product.

OPMERKING: Sommige HP onderdelen zijn niet ontwikkeld voor reparatie door de klant. In verband met de garantievoorwaarden moet het onderdeel door een geautoriseerde Service Partner worden vervangen. Deze onderdelen worden in de geïllustreerde onderdelencatalogus aangemerkt met "Nee".

Afhankelijk van de leverbaarheid en de locatie worden CSR-onderdelen verzonden voor levering op de eerstvolgende werkdag. Levering op dezelfde dag of binnen vier uur kan tegen meerkosten worden aangeboden, indien dit mogelijk is gezien de locatie. Indien assistentie gewenst is, belt u een HP Service Partner om via de telefoon technische ondersteuning te ontvangen. HP vermeldt in de documentatie bij het vervangende CSR-onderdeel of het defecte onderdeel aan HP moet worden geretourneerd. Als het defecte onderdeel aan HP moet worden teruggezonden, moet u het defecte onderdeel binnen een bepaalde periode, gewoonlijk vijf (5) werkdagen, retourneren aan HP. Het defecte onderdeel moet met de bijbehorende documentatie worden geretourneerd in het meegeleverde verpakkingsmateriaal. Als u het defecte onderdeel niet terugzendt, kan HP u voor het vervangende onderdeel kosten in rekening brengen. Bij reparatie door de klant betaalt HP alle verzendkosten voor het vervangende en geretourneerde onderdeel en kiest HP zelf welke koerier/transportonderneming hiervoor wordt gebruikt.

Neem contact op met een Service Partner voor meer informatie over het Customer Self Repair programma van HP. Informatie over Service Partners vindt u op de HP website (<http://www.hp.com/go/selfrepair>).

Reparo feito pelo cliente

Os produtos da HP são projetados com muitas peças para reparo feito pelo cliente (CSR) de modo a minimizar o tempo de reparo e permitir maior flexibilidade na substituição de peças com defeito. Se, durante o período de diagnóstico, a HP (ou fornecedores/parceiros de serviço da HP) concluir que o reparo pode ser efetuado pelo uso de uma peça CSR, a peça de reposição será enviada diretamente ao cliente. Existem duas categorias de peças CSR:

Obrigatória – Peças cujo reparo feito pelo cliente é obrigatório. Se desejar que a HP substitua essas peças, serão cobradas as despesas de transporte e mão-de-obra do serviço.

Opcional – Peças cujo reparo feito pelo cliente é opcional. Essas peças também são projetadas para o reparo feito pelo cliente. No entanto, se desejar que a HP as substitua, pode haver ou não a cobrança de taxa adicional, dependendo do tipo de serviço de garantia destinado ao produto.

OBSERVAÇÃO: Algumas peças da HP não são projetadas para o reparo feito pelo cliente. A fim de cumprir a garantia do cliente, a HP exige que um técnico autorizado substitua a peça. Essas peças estão identificadas com a marca "No" (Não), no catálogo de peças ilustrado.

Conforme a disponibilidade e o local geográfico, as peças CSR serão enviadas no primeiro dia útil após o pedido. Onde as condições geográficas permitirem, a entrega no mesmo dia ou em quatro horas pode ser feita mediante uma taxa adicional. Se precisar de auxílio, entre em contato com o Centro de suporte técnico da HP para que um técnico o ajude por telefone. A HP especifica nos materiais fornecidos com a peça CSR de reposição se a peça com defeito deve ser devolvida à HP. Nos casos em que isso for necessário, é preciso enviar a peça com defeito à HP dentro do período determinado, normalmente cinco (5) dias úteis. A peça com defeito deve ser enviada com a documentação correspondente no material de transporte fornecido. Caso não o faça, a HP poderá cobrar a reposição. Para as peças de reparo feito pelo cliente, a HP paga todas as despesas de transporte e de devolução da peça e determina a transportadora/serviço postal a ser utilizado.

Para obter mais informações sobre o programa de reparo feito pelo cliente da HP, entre em contato com o fornecedor de serviços local. Para o programa norte-americano, visite o site da HP (<http://www.hp.com/go/selfrepair>).

カスタマーセルフリペア

修理時間を短縮し、故障部品の交換における高い柔軟性を確保するために、HP製品には多数のCSR部品があります。診断の際に、CSR部品を使用すれば修理ができるとHP（HPまたはHP正規保守代理店）が判断した場合、HPはその部品を直接、お客様に発送し、お客様に交換していただきます。CSR部品には以下の2通りがあります。

- **必須** - カスタマーセルフリペアが必須の部品。当該部品について、もしもお客様がHPに交換作業を依頼される場合には、その修理サービスに関する交通費および人件費がお客様に請求されます。
- **任意** - カスタマーセルフリペアが任意である部品。この部品もカスタマーセルフリペア用です。当該部品について、もしもお客様がHPに交換作業を依頼される場合には、お買い上げの製品に適用される保証サービス内容の範囲内においては、別途費用を負担していただくことなく保証サービスを受けることができます。

注： HP製品の一部の部品は、カスタマーセルフリペア用ではありません。製品の保証を継続するためには、HPまたはHP正規保守代理店による交換作業が必須となります。部品カタログには、当該部品がカスタマーセルフリペア除外品である旨が記載されています。

部品供給が可能な場合、地域によっては、CSR部品を翌営業日に届くように発送します。また、地域によっては、追加費用を負担いただくことにより同日または4時間以内に届くように発送することも可能な場合があります。サポートが必要なときは、HPの修理受付窓口にご連絡いただければ、技術者が電話でアドバイスします。交換用のCSR部品または同梱物には、故障部品をHPに返送する必要があるかどうかが表示されています。故障部品をHPに返送する必要がある場合は、指定期限内（通常は5営業日以内）に故障部品をHPに返送してください。故障部品を返送する場合は、届いた時の梱包箱に関連書類とともに入れてください。故障部品を返送しない場合、HPから部品費用が請求されます。カスタマーセルフリペアの際には、HPは送料および部品返送費を全額負担し、使用する宅配便会社や運送会社を指定します。

客戶自行維修

HP 產品提供許多客戶自行維修 (CSR) 部件，以尽可能縮短維修時間和在更換缺陷部件方面提供更大的靈活性。如果在診斷期間 HP (或 HP 服務提供商或服務合作夥伴) 確定可以通過使用 CSR 部件完成維修，HP 將直接把該部件發送給您進行更換。有兩類 CSR 部件：

- **強制性的** — 要求客戶必須自行維修的部件。如果您請求 HP 更換這些部件，則必須為該服務支付差旅費和人工費用。
- **可選的** — 客戶可以選擇是否自行維修的部件。這些部件也是為客戶自行維修設計的。不過，如果您要求 HP 為您更換這些部件，則根據為您的產品指定的保修服務類型，HP 可能收取或不再收取任何附加費用。

注：某些 HP 部件的設計並未考慮客戶自行維修。為了滿足客戶保修的需要，HP 要求授權服務提供商更換相關部件。這些部件在部件圖解目錄中標記為“否”。

CSR 部件將在下一個工作日發運（取決於備貨情況和允許的地理範圍）。在允許的地理範圍內，可在當天或四小時內發運，但要收取額外費用。如果需要幫助，您可以致電 HP 技術支持中心，將會有技術人員通過電話為您提供幫助。HP 會在隨更換的 CSR 部件發運的材料中指明是否必須將有缺陷的部件返還給 HP。如果要求您將有缺陷的部件返還給 HP，那麼您必須在規定期限內（通常是五 (5) 個工作日）將缺陷部件發給 HP。有缺陷的部件必須隨所提供的發運材料中的相關文件一起返還。如果未能送還有缺陷的部件，HP 可能會要求您支付更換費用。客戶自行維修時，HP 將承擔所有相關運輸和部件返回費用，並指定快遞商/承運商。

有關 HP 客戶自行維修計劃的詳細信息，請與您當地的服務提供商聯繫。有關北美地區的計劃，請訪問 HP 網站 (<http://www.hp.com/go/selfrepair>)。

客戶自行維修

HP 產品設計了許多「客戶自行維修」(CSR) 的零件以減少維修時間，並且使得更換瑕疵零件時能有更大的彈性。如果在診斷期間 HP (或 HP 服務供應商或維修夥伴) 辨認出此項維修工作可以藉由使用 CSR 零件來完成，則 HP 將直接寄送該零件給您作更換。CSR 零件分為兩種類別：

- **強制的** — 客戶自行維修所使用的零件是強制的。如果您要求 HP 更換這些零件，HP 將會向您收取此服務所需的外出費用與勞動成本。
- **選購的** — 客戶自行維修所使用的零件是選購的。這些零件也設計用於客戶自行維修之用。不過，如果您要求 HP 為您更換，則可能需要也可能不需要負擔額外的費用，端視針對此產品指定的保固服務類型而定。

備註：某些 HP 零件沒有消費者可自行維修的設計。為符合客戶保固，HP 需要授權的服務供應商更換零件。這些零件在圖示的零件目錄中，被標示為「否」。

基於材料取得及環境允許的情況下，CSR 零件將於下一個工作日以快遞寄送。在環境的允許下當天或四小時內送達，則可能需要額外的費用。若您需要協助，可致電「HP 技術支援中心」，會有一位技術人員透過電話來協助您。不論損壞的零件是否必須退回，HP 皆會在與 CSR 替換零件一起運送的材料中註明。若要將損壞的零件退回 HP，您必須在指定的一段時間內（通常為五 (5) 個工作天），將損壞的零件寄回 HP。損壞的零件必須與寄送資料中隨附的相關技術文件一併退還。如果無法退還損壞的零件，HP 可能要向您收取替換費用。針對客戶自行維修情形，HP 將負責所有運費及零件退還費用並指定使用何家快遞/貨運公司。

如需 HP 的「客戶自行維修」方案詳細資訊，請連絡您當地的服務供應商。至於北美方案，請參閱 HP 網站 (<http://www.hp.com/go/selfrepair>)。

고객 셀프 수리

HP 제품은 수리 시간을 최소화하고 결함이 있는 부품 교체 시 더욱 용통성을 발휘할 수 있도록 하기 위해 고객 셀프 수리(CSR) 부품을 다량 사용하여 설계되었습니다. 진단 기간 동안 HP(또는 HP 서비스 공급업체 또는 서비스 협력업체)에서 CSR 부품을 사용하여 수리가 가능하다고 판단되면 HP는 해당 부품을 바로 사용자에게 보내어 사용자가 교체할 수 있도록 합니다. CSR 부품에는 두 가지 종류가 있습니다.

- **고객 셀프 수리가 의무 사항인 필수 부품.** 사용자가 HP에 이 부품의 교체를 요청할 경우 이 서비스에 대한 출장비 및 작업비가 청구됩니다.
- **고객 셀프 수리가 선택 사항인 부품.** 이 부품들도 고객 셀프 수리가 가능하도록 설계되었습니다. 하지만 사용자가 HP에 이 부품의 교체를 요청할 경우 사용자가 구입한 제품에 해당하는 보증 서비스 유형에 따라 추가 비용 없이 교체가 가능할 수 있습니다.

참고: 일부 HP 부품은 고객 셀프 수리가 불가능하도록 설계되었습니다. HP는 만족스러운 고객 보증을 위해 공인 서비스 제공업체를 통해 부품을 교체하도록 하고 있습니다. 이러한 부품들은 Illustrated Parts Catalog에 "No"라고 표시되어 있습니다.

CSR 부품은 재고 상태와 지리적 조건이 허용하는 경우 다음 영업일 납품이 가능하도록 배송이 이루어집니다. 지리적 조건이 허용하는 경우 추가 비용이 청구되는 조건으로 당일 또는 4시간 배송이 가능할 수도 있습니다. 도움이 필요하시면 HP 기술 지원 센터로 전화하십시오. 전문 기술자가 전화로 도움을 줄 것입니다. HP는 결함이 발생한 부품을 HP로 반환해야 하는지 여부를 CSR 교체 부품과 함께 배송된 자료에 지정합니다. 결함이 발생한 부품을 HP로 반환해야 하는 경우에는 지정된 기간 내(통상 영업일 기준 5일)에 HP로 반환해야 합니다. 이 때 결함이 발생한 부품은 제공된 포장 재료에 넣어 관련 설명서와 함께 반환해야 합니다. 결함이 발생한 부품을 반환하지 않는 경우 HP가 교체 부품에 대해 비용을 청구할 수 있습니다. 고객 셀프 수리의 경우, HP는 모든 운송 및 부품 반환 비용을 부담하며 이용할 운송업체 및 택배 서비스를 결정합니다.

HP 고객 셀프 수리 프로그램에 대한 자세한 내용은 가까운 서비스 제공업체에 문의하십시오. 북미 지역의 프로그램에 대해서는 HP 웹 사이트(<http://www.hp.com/go/selfrepair>)를 참조하십시오.

Acronyms and abbreviations

ABEND

abnormal end

ACU

Array Configuration Utility

AMP

Advanced Memory Protection

ASR

Automatic Server Recovery

BMC

baseboard management controller

BSMI

Bureau of Standards, Metrology and Inspection

CE

Conformité Européenne (European Conformity)

CSA

Canadian Standards Association

CSR

Customer Self Repair

DDR

double data rate

EMI

electromagnetic interference

FBWC

flash-backed write cache

FCC

Federal Communications Commission

HP CS

HP Common Slot (power supply)

HP SIM

HP Systems Insight Manager

HP SUM

HP Smart Update Manager

IEC

International Electrotechnical Commission

iLO

Integrated Lights-Out

IML

Integrated Management Log

ISO

International Organization for Standardization

LFF

large form factor

LRDIMM

load reduced dual in-line memory module

NMI

nonmaskable interrupt

NVRAM

nonvolatile memory

ORCA

Option ROM Configuration for Arrays

PCIe

Peripheral Component Interconnect Express

PDU

power distribution unit

POST

Power-On Self Test

PXE

preboot execution environment

RBSU

ROM-Based Setup Utility

RDIMM

registered dual in-line memory module

RDP

Rapid Deployment Pack

RF

radio frequency

RFI

radio frequency interference

RPS

redundant power supply

SAS

serial attached SCSI

SATA

serial ATA

SD

Secure Digital

SFF

small form factor

SPP

HP Service Pack for ProLiant

TMRA

recommended ambient operating temperature

TPM

Trusted Platform Module

UDIMM

unregistered dual in-line memory module

UID

unit identification

USB

universal serial bus

VCA

Version Control Agent

VCRM

Version Control Repository Manager

xHCI

Extensible Host Controller Interface

Documentation feedback

HP is committed to providing documentation that meets your needs. To help us improve the documentation, send any errors, suggestions, or comments to Documentation Feedback (<mailto:docsfeedback@hp.com>). Include the document title and part number, version number, or the URL when submitting your feedback.

Index

A

access panel 18, 19
air baffle 19, 20
Array Configuration Utility (ACU) 73
ASR (Automatic Server Recovery) 75
authorized reseller 86
auto-configuration process 72
Automatic Server Recovery (ASR) 75

B

battery 79
battery, installing 79
bezel 17
BIOS upgrade 66, 75
boot options 27, 73
BSMI notice 81
buttons 6
buttons, front panel 6

C

cables 59
cabling 59, 60, 62, 63, 64
cache module 14
Canadian notice 81
capacitor pack cabling 64
Care Pack 22, 70, 77
Change Control 77
components 6
components, front panel 6
components, identification 6
configuration of system 27, 66
connectors 6
contacting HP 86
controller 36
CSR (customer self repair) 86
customer self repair (CSR) 86

D

device numbers 12
diagnostic tools 66, 69, 75
diagnostics utility 69

DIMM identification 42
DIMM slot locations 11
DIMMs 43
DIMMs, installing 44
DIMMs, single- and dual-rank 43
drivers 76
drives 12, 28, 30, 31, 34
drives, installing 28

E

electrical grounding requirements 23
electrostatic discharge 82
enabling the Trusted Platform Module 51
environmental requirements 22, 23
environmental specifications 83
Erase Utility 66, 69
error messages 78
European Union notice 81
expansion board options 45

F

fan module location 15
FBWC cabling 60
FBWC module 37
FBWC module LEDs 14
features 6, 73
Federal Communications Commission (FCC)
notice 81
firmware 76
front panel components 6

G

grounding methods 82
grounding requirements 23

H

hardware options installation 28
health driver 75
help resources 86
Hot-plug SAS/SATA hard drive cabling 60
HP Insight Diagnostics 69
HP Insight Remote Support software 70, 77

HP Smart Update Manager overview 66, 71
HP technical support 77, 86

I

iLO (Integrated Lights-Out) 66, 67, 68
IML (Integrated Management Log) 66, 68
Insight Diagnostics 69, 76
Insight Remote Support Software 70
installation services 22, 25
installation, server options 25, 28
installing hardware 25, 28
installing the server into the rack 25
Integrated Lights-Out (iLO) 66, 68
Integrated Management Log (IML) 68
Intelligent Provisioning 66, 68, 69

J

Japanese notice 81

L

LEDs, FBWC module 14
LEDs, troubleshooting 78

M

media drive bay cabling 62
memory 42, 43
memory options 41
modes 66

N

NMI functionality 12
NMI header 12
notification actions 77
numbering, device bay 12

O

operating system installation 26, 77
operating systems 77
optical drive 39
optimum environment 22
Option ROM Configuration for Arrays (ORCA) 66, 74
options installation 22, 25, 28, 31, 41
ORCA (Option ROM Configuration for Arrays) 66, 74

P

PCI expansion slots 11
phone numbers 86
population guidelines 28
power distribution unit (PDU) 23
Power On button 27
power requirements 23
power supply cabling 63
power supply specifications 83, 84
powering down 16
powering up 16
preparation procedures 16
problem diagnosis 78
Product ID 73

Q

QuickSpecs 66

R

rack installation 22, 25
rack resources 22
rack warnings 24
RBSU (ROM-Based Setup Utility) 66, 71, 72, 73
rear panel components 8
rear panel LEDs 9
recovering a lost password 51
redundant power supply cabling 64
redundant ROM 76
re-entering the server serial number 73
registering the server 27
regulatory compliance notices 81
replacing the batteries 79
retaining the recovery key/password 51
ROM redundancy 76
ROMPaq utility 66, 75, 76

S

safety considerations 76, 81, 82
SAS and SATA device numbers 12
scripted installation 70
scripting toolkit 66, 70
security 76
serial number 73
series number 81
server features and options 28
Server mode 66
server setup 22, 25, 76
server specifications 83

- server warnings and cautions 24
- Service Packs 70
- shipping carton contents 25
- Smart Update Manager 66, 71
- software 76, 77
- space and airflow requirements 23
- specifications 83, 85
- specifications, environmental 83
- specifications, power 83
- specifications, server 83
- static electricity 82
- storage controller 36
- support 86
- supported operating systems 77
- switch, system maintenance 11
- system battery 79
- system board components 10
- system components 6
- system configuration settings 11, 76
- system maintenance switch 11

T

- Taiwan battery recycling notice 81
- technical support 77, 86
- telco racks 25
- telephone numbers 86
- temperature requirements 23
- tower bezel, installing 17
- tower bezel, removing 17
- TPM (Trusted Platform Module) 49, 51
- troubleshooting 78

U

- updating the system ROM 76
- USB support 75
- utilities 66, 73
- utilities, deployment 66, 70, 71

V

- ventilation 22
- Version Control 76
- Virtualization option 77

W

- warnings 24
- website, HP 86

Free Manuals Download Website

<http://myh66.com>

<http://usermanuals.us>

<http://www.somanuals.com>

<http://www.4manuals.cc>

<http://www.manual-lib.com>

<http://www.404manual.com>

<http://www.luxmanual.com>

<http://aubethermostatmanual.com>

Golf course search by state

<http://golfingnear.com>

Email search by domain

<http://emailbydomain.com>

Auto manuals search

<http://auto.somanuals.com>

TV manuals search

<http://tv.somanuals.com>