

# HP ProLiant Moonshot Server Installation Instructions



© Copyright 2013 Hewlett-Packard Development Company, L.P.

The information contained herein is subject to change without notice. The only warranties for HP products and services are set forth in the express warranty statements accompanying such products and services. Nothing herein should be construed as constituting an additional warranty. HP shall not be liable for technical or editorial errors or omissions contained herein.

Part Number: 711774-002  
May 2013  
Edition: 2

## Overview

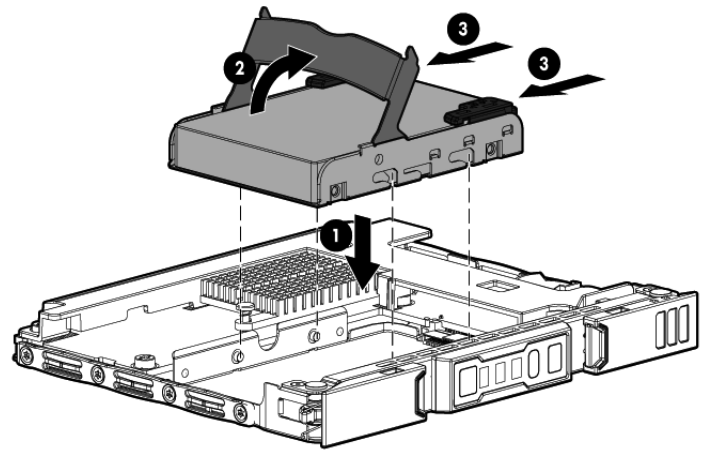
Installation of a cartridge requires the following steps:

1. Install the drive on the new cartridge, if needed.
2. Install the cartridge in the chassis.
3. Power up the chassis, if needed.

For definitions of the acronyms used in this document, see the "Acronyms and abbreviations" in the cartridge user and maintenance guide.

## Installing the drive

1. Extend the chassis from the rack.
2. Remove the access panel.
3. Remove the cartridge.
4. Remove any drive installed on the cartridge.
5. Install the drive as indicated.



6. Install the cartridge.
7. Install the access panel.

For cartridge-specific information, see the cartridge user and maintenance guide on the HP Moonshot Information Library (<http://www.hp.com/go/moonshot/docs>).

## Installing the cartridge

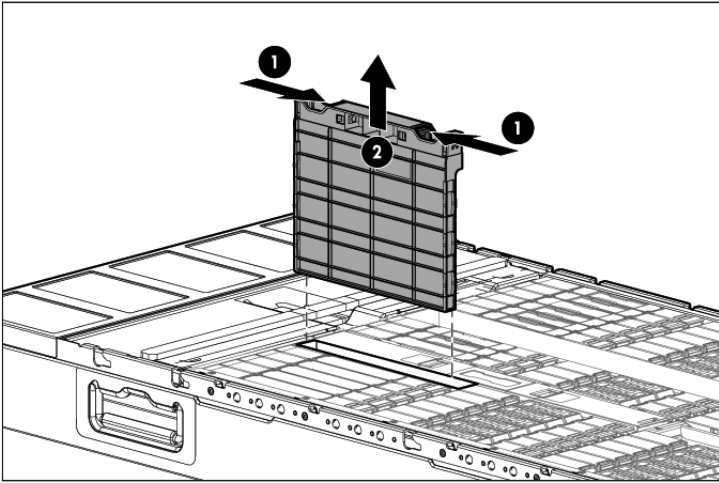
**CAUTION:** For proper cooling, be sure that a cartridge or a cartridge blank is always installed in each cartridge slot in the chassis. When replacing a cartridge, leave the cartridge slot empty for no more than 30 seconds. Failure to do so can disrupt airflow in the chassis.

**IMPORTANT:** After performing a procedure inside the chassis, always install the access panel on the chassis when complete. Do not operate the chassis for long periods of time with the access panel removed.

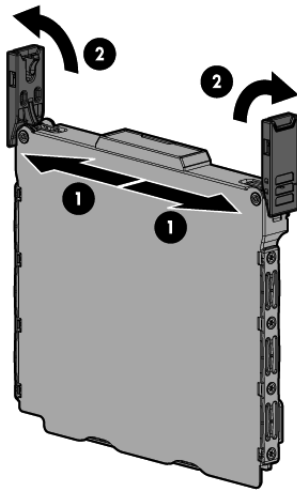
To install the component:

1. Extend the chassis from the rack.
2. Remove the access panel.

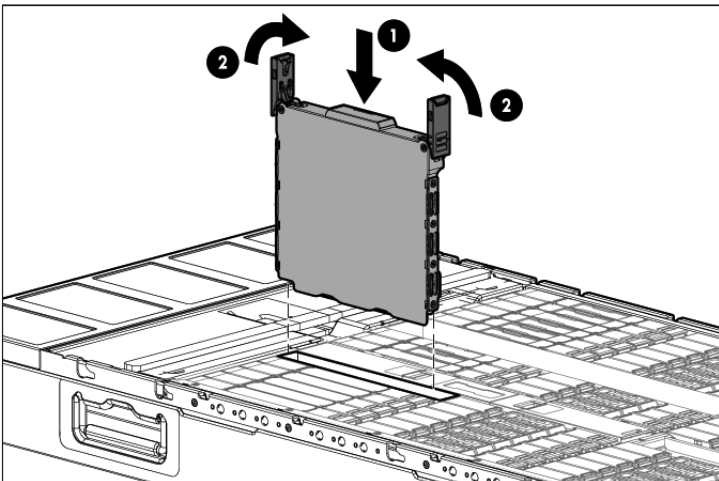
3. Remove the cartridge blank or cartridge installed in the chassis.



4. Prepare the cartridge.



5. Align and install the cartridge into the chassis.



6. Install the access panel.
7. Slide the chassis into the rack.

## Powering up the chassis

If the chassis was powered off while installing the cartridge, then power up the chassis. The cartridges are hot-pluggable and do not require that you power down the chassis for installation.

1. Connect the power cables to the power supplies.
2. Connect the power cables to the power source (UPS or wall outlet) or to an installed PDU.
3. Wait while the chassis powers on. Verify the status of the chassis power LED located on the front panel display on the chassis. For more information on the chassis power LED status, see the *HP Moonshot 1500 Chassis Setup and Installation Guide* in the HP Moonshot Information Library (<http://www.hp.com/go/moonshot/docs>).

## Configuring the cartridge

For more information on setting up and configuring the cartridges, see the *HP Moonshot 1500 Chassis Setup and Installation Guide* and the cartridge user and maintenance guide on the HP Moonshot Information Library (<http://www.hp.com/go/moonshot/docs>).

## Installing the system software

To install the system software, see the *HP Moonshot 1500 Chassis Setup and Installation Guide* on the HP Moonshot Information Library (<http://www.hp.com/go/moonshot/docs>). For information about operating systems supported by the Moonshot System, see the operating system support matrices (<http://www.hp.com/go/supportos>).

## Registering the server

To experience quicker service and more efficient support, register the product at the HP Product Registration website (<http://register.hp.com>).

## For more information

For more detailed setup and configuration information, see the *HP Moonshot 1500 Chassis Setup and Installation Guide* on the HP Moonshot Information Library (<http://www.hp.com/go/moonshot/docs>).

## Safety and regulatory compliance

For safety, environmental, and regulatory information, see *Safety and Compliance Information for Server, Storage, Power, Networking, and Rack Products*, available at the HP website (<http://www.hp.com/support/Safety-Compliance-EnterpriseProducts>).

## Documentation feedback

HP is committed to providing documentation that meets your needs. To help us improve the documentation, send any errors, suggestions, or comments to Documentation Feedback (<mailto:docsfeedback@hp.com>). Include the document title and part number, version number, or the URL when submitting your feedback.

## Free Manuals Download Website

<http://myh66.com>

<http://usermanuals.us>

<http://www.somanuals.com>

<http://www.4manuals.cc>

<http://www.manual-lib.com>

<http://www.404manual.com>

<http://www.luxmanual.com>

<http://aubethermostatmanual.com>

Golf course search by state

<http://golfingnear.com>

Email search by domain

<http://emailbydomain.com>

Auto manuals search

<http://auto.somanuals.com>

TV manuals search

<http://tv.somanuals.com>