



Audio/Video Stand Warranty
One (1) Year Limited Warranty

THIS PRODUCT IS DESIGNED AND INTENDED ONLY FOR USE WITH THE SPECIFIED HP MODEL TELEVISION ONLY. USE WITH TELEVISIONS OTHER THAN THE SPECIFIED HP MODEL WILL VOID THIS WARRANTY.

This product is warranted, with the exception of glass, to the original purchaser at the time of purchase and for a period of one (1) year thereafter. Glass is warranted to the original purchaser at the time of purchase and for a period of thirty (30) days thereafter. Warranty is only valid in the United States of America.

In order to provide you with timely assistance, please thoroughly inspect your furniture for missing or defective parts immediately after opening the carton. To receive replacement or missing part(s) under this warranty, go to our website at www.hp.com or call our Customer Service Department at (888) 779-2858. Please have the model number of the stand and part number(s) for reference. You will also need your sales receipt or other proof of purchase. Replacement part(s) will be shipped to you at no charge with HP assuming all shipping and handling expense.

We warrant to you, the original purchaser, that our furniture and all of its parts and components are free of defects in material or workmanship. "Defects", as used in this warranty, is defined as any imperfections that impair the use of the furniture or product.

Our warranty is expressly limited to the replacement of furniture parts and components. For one (1) year after the date of purchase, HP will replace any part described on the enclosed furniture parts list that is defective in material or workmanship.

This warranty applies under conditions of normal use. Our furniture products are not intended for outdoor use. The warranty does not cover: 1) defects caused by improper assembly or disassembly; 2) defects caused by shipping, claims for damage during transit to you should be placed immediately by you to the transportation company; 3) defects occurring after purchase due to product modification, intentional damage, accident, misuse, abuse, negligence or exposure to the elements; 4) cosmetic damage and 5) labor or assembly costs.

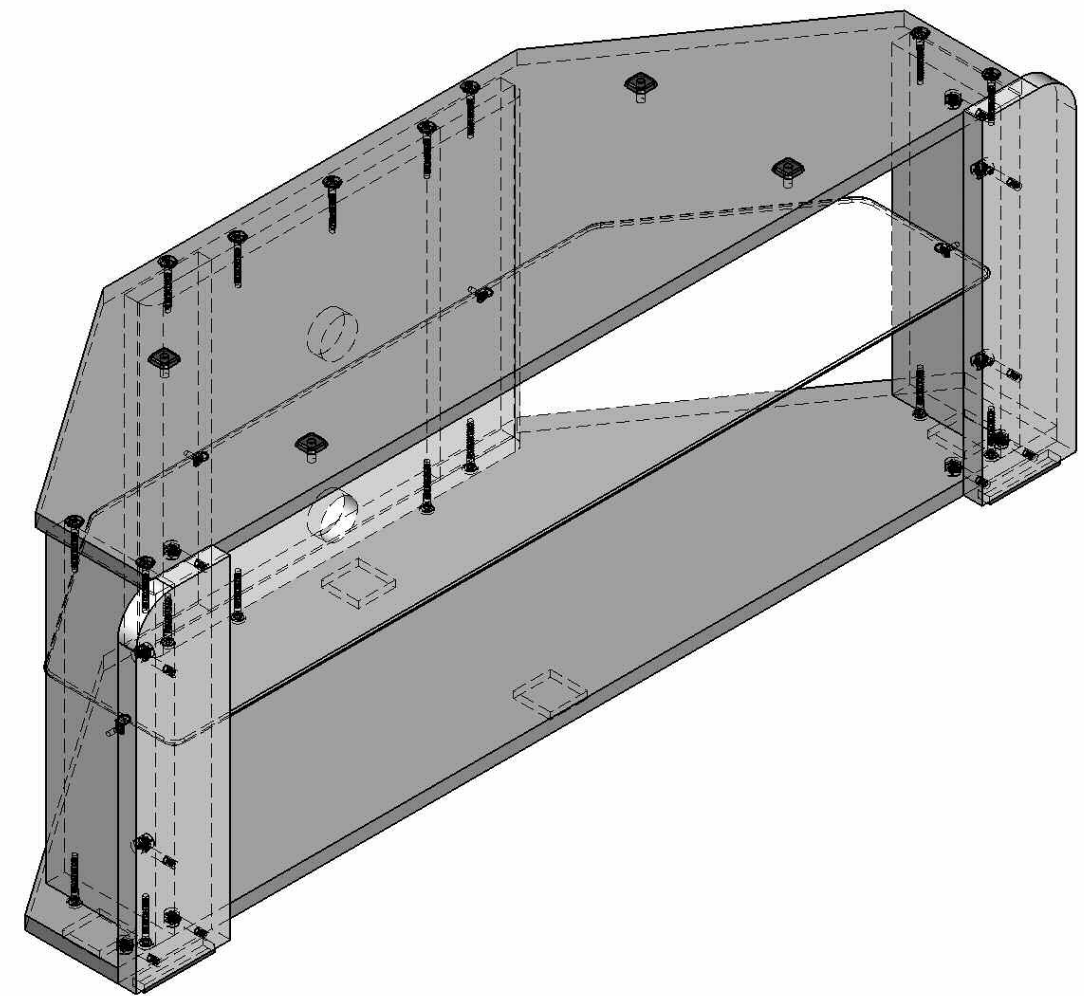
There are no warranties, express or implied, including without limitation merchantability or fitness for particular use, except as (i) contained herein or (ii) required by applicable law in the state whose law governs (which shall be New Jersey absent controlling law imposing the law of another state in lieu thereof as governing law). All warranties of whatsoever derivation shall be limited to the term set forth above, unless otherwise required by applicable law.

Manufacturer's employees or representatives' ... ORAL OR OTHER WRITTEN STATEMENTS DO NOT CONSTITUTE WARRANTIES, shall not be relied upon by Buyer, and are not a part of the contract for sale or this limited warranty.

Except as provided herein, HP shall have no liability or responsibility to the purchaser or any other person or entity with respect to any liability, loss or damage caused directly or indirectly by use of the product, including, but not limited to, any incidental or consequential damages. Some states do not allow limitation on how long an implied warranty can last or the exclusion of limitation of incidental or consequential damages, so the above limitation and exclusion may not apply to you.



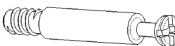





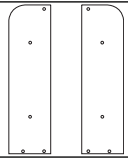
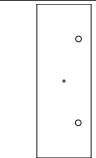
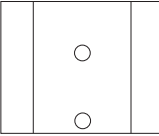
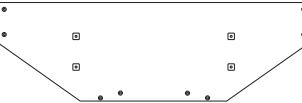


This warranty gives you specific legal rights. You may also have other rights, which vary from state to state.

www.hp.com



Assembly Instructions
For Model TS5220 Silver Audio Video Stand
FOR USE WITH HP MODEL IDB5220N TELEVISION

Parts List

PART #	PART DESCRIPTION	QUANTITY
REQUIRED TOOLS	 Allen Wrench  Philips Screwdriver	
9	 34mm Cam Lock Connector Bolt	10
10	 50mm Screw	16
12	 30mm Screw	4
8	 Cam Lock	10
11	 Glass Shelf Support Pin	4
13	 Plastic Screw Caps	8
4 (Left) 5 (Right)	 Left & Right Front Panels	2
6	 Side Support Panels	2
3	 Rear Support Panel with Cable Management	1
2	 Top Shelf	1
7	 Glass Shelf	1
1	 Bottom Shelf	1

FOR YOUR SAFETY, PLEASE FOLLOW THESE PRECAUTIONS:

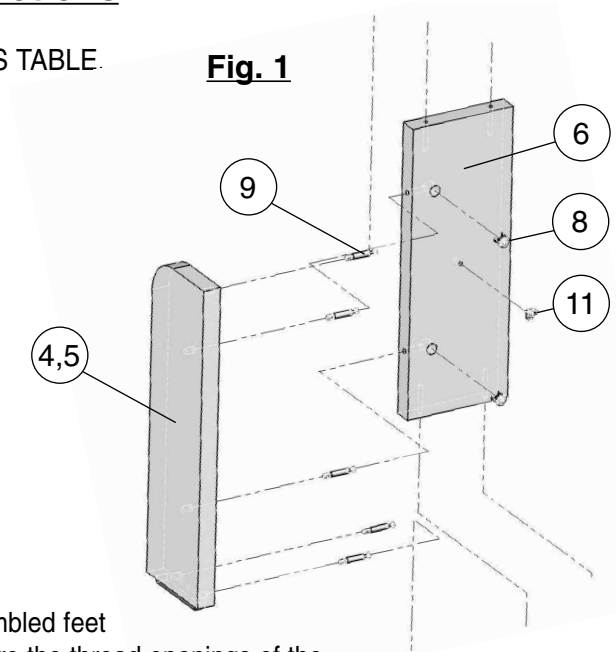
- ! ALWAYS REMOVE THE TV AND OTHER EQUIPMENT FROM THE FURNITURE PRIOR TO MOVING THE ASSEMBLED UNIT.
- ! BE CAREFUL WHEN MOVING THE ASSEMBLED FURNITURE AFTER THE GLASS SHELF HAS BEEN INSTALLED, AND/OR WHEN THERE IS EQUIPMENT LOCATED ON THE FURNITURE AS THIS MAY CAUSE THE SHELF TO BECOME UNSECURED AND FALL.
- ! WHEN IN USE, THIS FURNITURE MUST BE PLACED ON A FLAT, SOLID AND LEVEL SURFACE.
- ! DO NOT LEAN ON THE TV WHEN IT IS ON THE TV STAND. ! DO NOT CLIMB OR STEP ON THE STAND.
- ! DO NOT BANG OR PLACE YOUR OWN WEIGHT ON THE GLASS SHELF.
- ! DO NOT PLACE ITEMS ON THE SHELVES WHICH EXCEED THE MAXIMUM WEIGHT LIMITS OF 200 LBS. FOR TOP SHELF AND 50 LBS. FOR GLASS SHELF

Assembly Instructions

NOTE: TWO PEOPLE ARE RECOMMENDED TO ASSEMBLE THIS TABLE.

1. Side Assembly

- A. **INSERT** two Cam Locks (8) into each of the Side Support Panels (6). **INSERT** five Cam Lock Connector Bolts (9) into the Left Front Panel (4) and Right Front Panel (5).
- B. **INSERT** a Glass Shelf Support Pin (11) into the center hole of each Side Support Panel (6).
- C. **ATTACH** each Front Panel (4 & 5) to each Side Support Panel (6) as shown in Fig. 1. **TIGHTEN** Cam Locks (8) with Philips Screwdriver, **DO NOT OVERTIGHTEN**.



2. Table Assembly

- A. **PLACE** the Bottom Shelf (1) on a soft flat surface with the pre-assembled feet facing up. **INSERT** four Cam Locks (8) into the large holes. Make sure the thread openings of the Cam Locks face toward the outside edge of the Bottom Shelf (1).
- B. **CAREFULLY TIP** the Bottom Shelf (1) on the front (longer) edge so that the underside is facing away from you. **ALIGN** the edges of the Side Panels (6) and Bottom Shelf and **INSERT** the Cam Lock Connector Bolts (9) into the Cam Locks (8). **SECURE** the Side Panels (6) to the Bottom Shelf by tightening the Cam Locks with the philips screwdriver, **DO NOT OVERTIGHTEN**. **INSERT** two 50mm Screws (10) through the predrilled holes in the Bottom Shelf and into the Side Panels (6) and tighten.

- C. **CAREFULLY TIP** the unit upside down and **SECURE** the Rear Support Panel (3) to the table bottom using four Screws (10).

- D. **CAREFULLY TIP** the partially assembled table over so that it is sitting upright on the floor. **PLACE** two Shelf Support Pins (11) into the holes in the rear panel as shown in Fig. 2. Make sure the rubber pads are facing up.

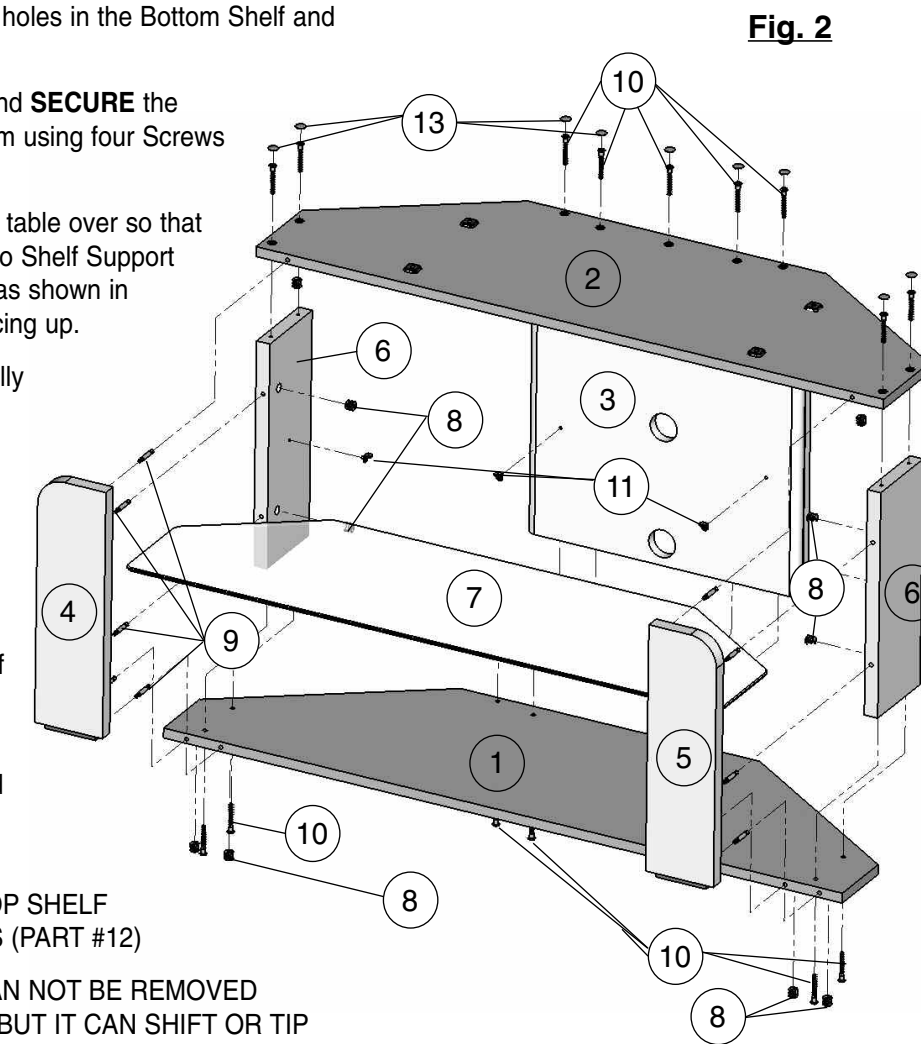
- E. **PLACE** the Glass Shelf (7) into the partially assembled table and onto the four Shelf Support Pins (11) as shown in Fig. 2.

- F. **PLACE** the Top Shelf (2) onto partially assembled table. **INSERT** the Cam Lock Connector Bolts (9) in the Front Panels (4,5) into the Cam Locks (8) in the Top Shelf and turn Cam Locks to tighten. **DO NOT OVERTIGHTEN**. **SECURE** Top Shelf using eight 50mm Screws (10).

- G. **INSERT** eight Plastic Screw Caps (13) over the Screws (10) which were inserted into the Top Shelf (2), as shown in Fig. 2.

FOR YOUR SAFETY, SECURE THE TV TO THE TABLE FROM BENEATH THE THE TOP SHELF USING 4 OF THE SUPPLIED 30MM BOLTS (PART #12)

NOTE: THE MIDDLE GLASS SHELF (7) CAN NOT BE REMOVED ONCE THE TOP SHELF (2) IS SECURED, BUT IT CAN SHIFT OR TIP FORWARD WHEN THE TABLE IS MOVED OR IF THE SHELF SUPPORT PINS (11) ARE NOT PLACED SECURELY IN THEIR HOLES WITH THE RUBBER PADS FACING UPWARDS. ALWAYS PLACE HEAVIEST COMPONENTS ON LOWER SHELF.



Free Manuals Download Website

<http://myh66.com>

<http://usermanuals.us>

<http://www.somanuals.com>

<http://www.4manuals.cc>

<http://www.manual-lib.com>

<http://www.404manual.com>

<http://www.luxmanual.com>

<http://aubethermostatmanual.com>

Golf course search by state

<http://golfingnear.com>

Email search by domain

<http://emailbydomain.com>

Auto manuals search

<http://auto.somanuals.com>

TV manuals search

<http://tv.somanuals.com>