

Parts Manual

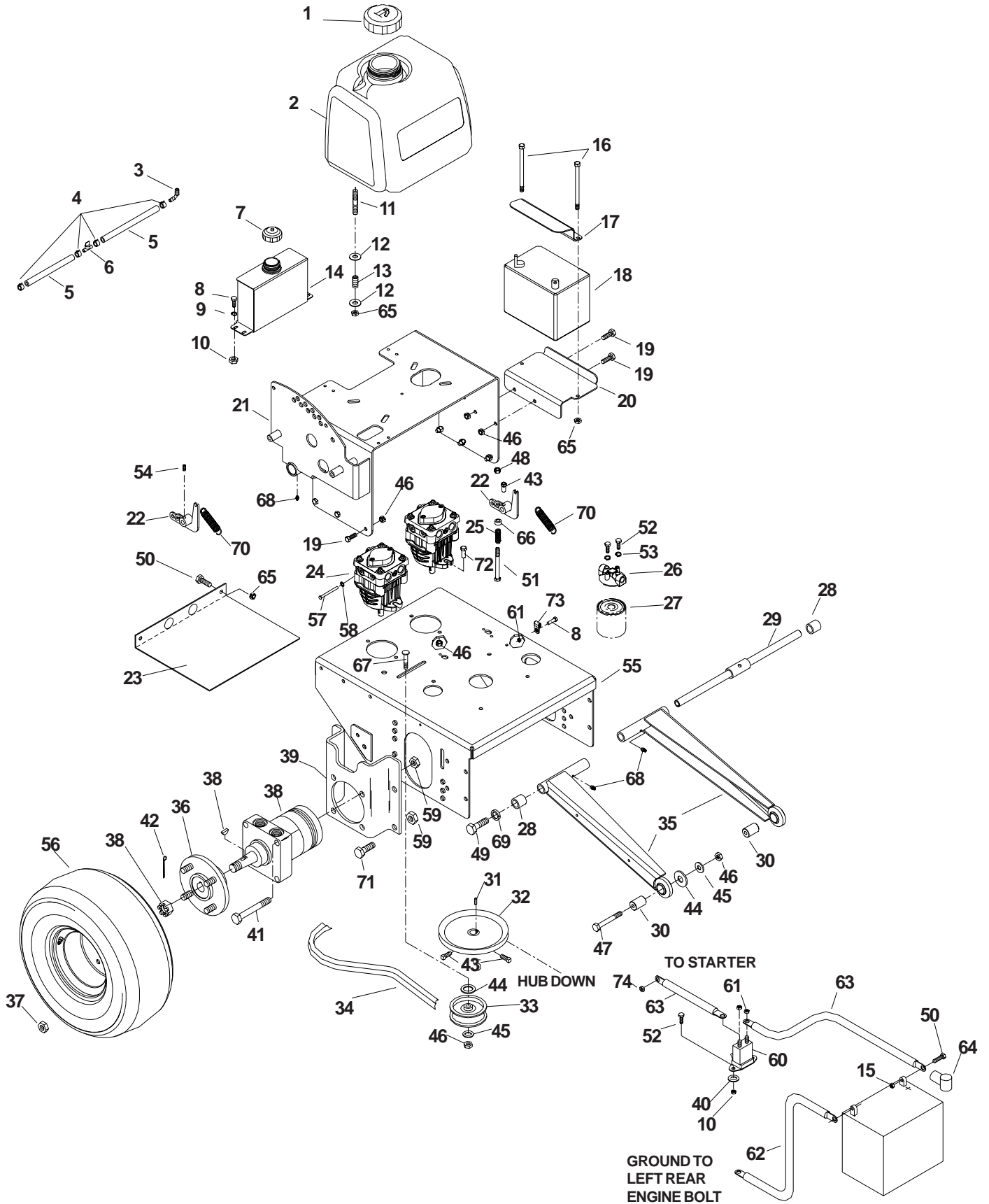
Model:
968999252 / WHF4817
968999253 / WHF5219

CONTENTS

POWER UNIT	4-5
HYDRAULIC ASSEMBLY	6-7
FRAME ASSEMBLY	8-9
17 HP & 19 HP ENGINES	10-11
HANDLE ASSEMBLY	12-13
DECALS	14-15
48" DECK ASSEMBLY	16-17
52" DECK ASSEMBLY	18-19
WIRING ASSEMBLY	20-21
WIRING SCHEMATIC	22

NOTE: ALL FASTENERS ARE GRADE 5 UNLESS OTHERWISE SPECIFIED.

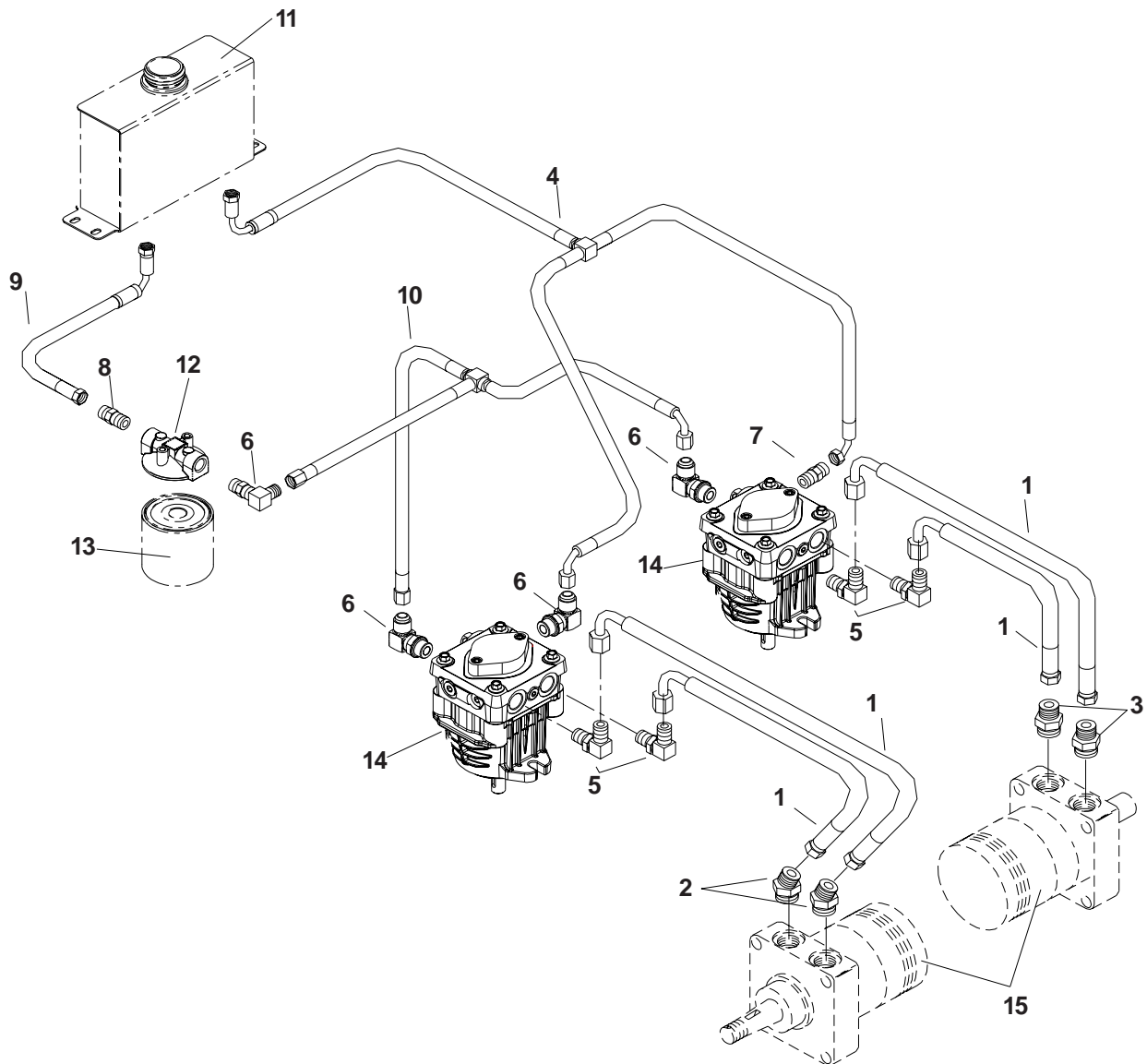
POWER UNIT



POWER UNIT

ITEM	PART NO.	QTY.	DESCRIPTION	ITEM	PART NO.	QTY.	DESCRIPTION
1	539106188	1	FUEL CAP	39	539106491	2	MOTOR MOUNT
2	539105630	1	FUEL TANK	40	539990053	2	IT LOCKWASHER, 1/4
3	539102650	1	FUEL FITTING	41	539101332	8	HCS 1/2C X 2 3/4
4	539912222	4	HOSE CLAMP	42	539990297	2	COTTER PIN
5	539932956	2	HOSE 10"	43	539102717	4	SET SCR. 5/16 X 5/8
6	539916325	1	FUEL VALVE	44	539990550	4	WASHER, 1/2
7	539101202	1	OIL CAP	45	539990517	3	WASHER, 3/8
8	539990580	5	HCS, 1/4C X 3/4	46	539990546	14	NUT, 3/8, CENTER LOCK
9	539990598	4	WASHER, 1/4	47	539990629	2	HCS, 3/8C X 2 1/4
10	539990761	6	NUT, 1/4, CENTER LOCK	48	539976979	2	NUT, 3/8C, NYLOC
11	539102502	4	STUD	49	539990646	2	HCS, 1/2 X 1
12	539990692	8	WASHER, 5/16	50	539976934	4	HCS, 5/16C X 3/4
13	539102845	4	SPRING	51	539106492	2	HCS, 3/8C X 2 3/4
14	539105985	1	OIL TANK	52	539990072	4	HCS, 1/4C X 5/8
15	539990184	2	NUT, 5/16, CENTER LOCK	53	539990052	2	LOCKWASHER, 1/4
16	539105826	2	HCS, 5/16C X 7	54	539105079	2	SET SCREW, 5/16-18 X 5/8
17	539105942	1	BATTERY STRAP	55	539105647	1	REAR DECK
18	539102436	1	BATTERY, DRY	56	539105805	2	TIRE /WHEELASM. 539105535
19	539990134	8	HCS, 3/8C X 3/4 539912234	1	VALVE	
20	539105943	1	BATTERY TRAY 539104628	1	RIM	
21	539105590	1	TANK SUPPORT	57	539102233	2	CLEVIS PIN
22	539105913	2	PUMPARM	58	539102234	2	PUSH NUT
23	539104547	1	BELT SHIELD	59	539101331	16	NUT, 1/2C, NYLOC
24	539108246	2	PUMP W/POPPETS	60	539101714	1	SOLINOID
25	539101224	2	SPRING	61	539976978	3	NUT, 1/4, NYLOC
26	539101165	1	FILTER HEAD	62	539102758	1	NEGATIVE CABLE
27	539102606	1	FILTER	63	539103306	2	POSITIVE CABLE
28	539105806	2	SPACER	64	539102759	4	INSULATOR
29	539106446	1	STRUT SHAFT	65	539990717	8	NUT, 5/16C, NYLOC
30	539105641	2	SPACER, FRONT	66	539923515	2	SPACER
31	539101177	2	KEY, METRIC	67	539100145	1	RHSNB, 3/8C X 2
32	539102228	2	PULLEY	68	539976998	3	ZERK
33	539919078	1	IDLER PULLEY	69	539990254	2	LOCKWASHER, 1/2
34	539101228	1	BELT	70	539916159	2	SPRING, PUMP
35	539105577	2	STRUT	71	539990622	8	HFCS, 1/2C X 1 1/4
36	539101109	2	HUB	72	539990582	4	HCS, 3/8C X 1
37	539101173	8	LUG NUT	73	539109867	1	CLAMP
38	539103527	2	HYD. MOTOR	74	539108120	1	NUT, 1/4, THIN NYLOC
.....	539103664	1	SEAL KIT				

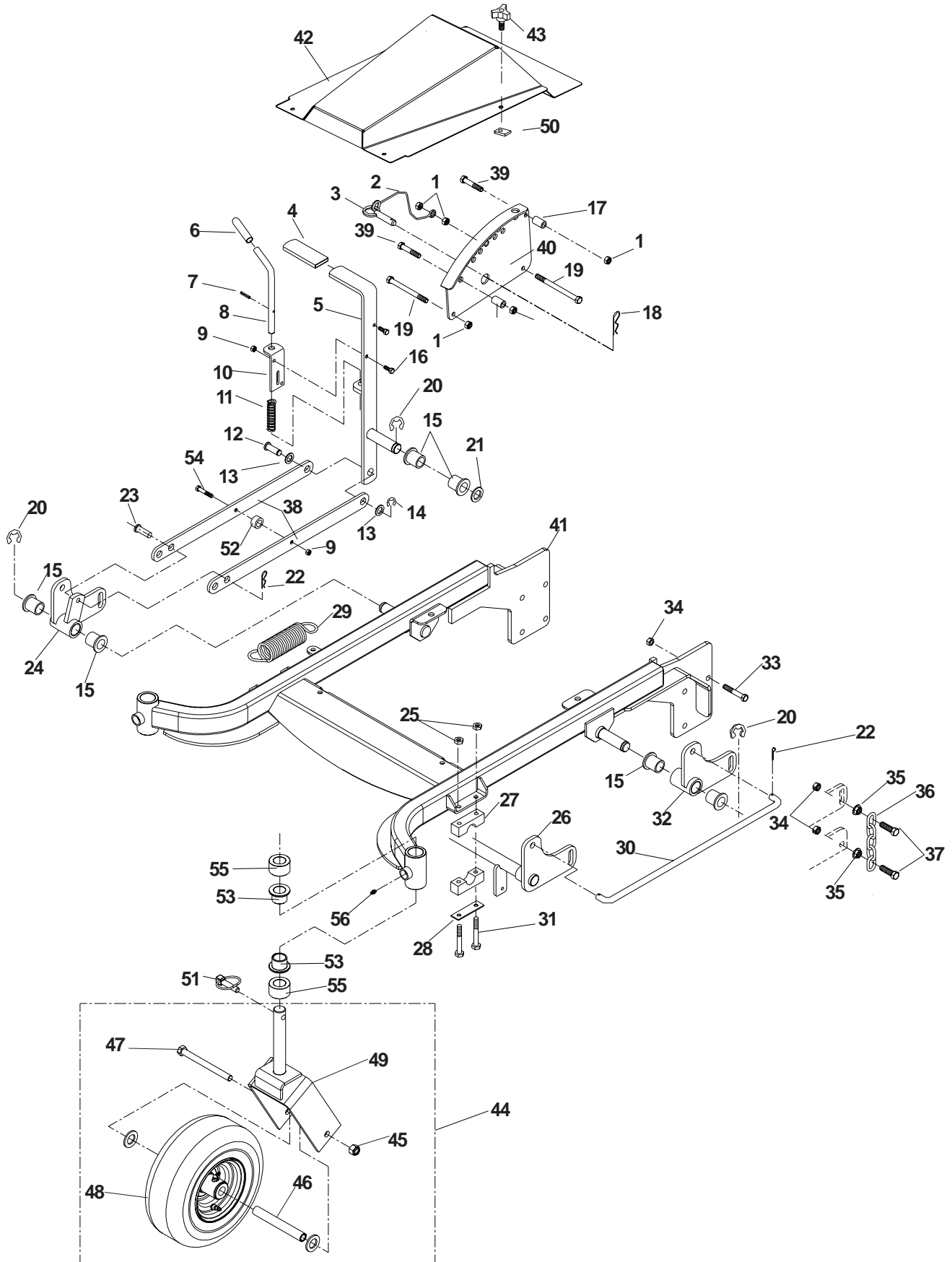
HYDRAULIC ASSEMBLY



HYDRAULIC ASSEMBLY

ITEM	PART NO.	QTY	DESCRIPTION
1	539101245	4	HOSE
2	539101243	2	45 DEGREE ELBOW
3	539101239	2	STRAIGHT CONNECTOR
4	539102229	1	TEE HOSE
5	539101242	4	90 DEGREE ELBOW
6	539101238	4	90 DEGREE ELBOW
8	539103316	2	STRAIGHT CONNECTOR
9	539101248	1	HOSE
10	539102230	1	TEE HOSE
11	539105985	1	OIL TANK
12	539101165	1	FILTER HEAD
13	539102606	1	FILTER
14	539108246	2	PUMP, 10A W/.031 POPPETS
15	539103527	2	HYD. MOTOR
	539103664	1	SEAL KIT

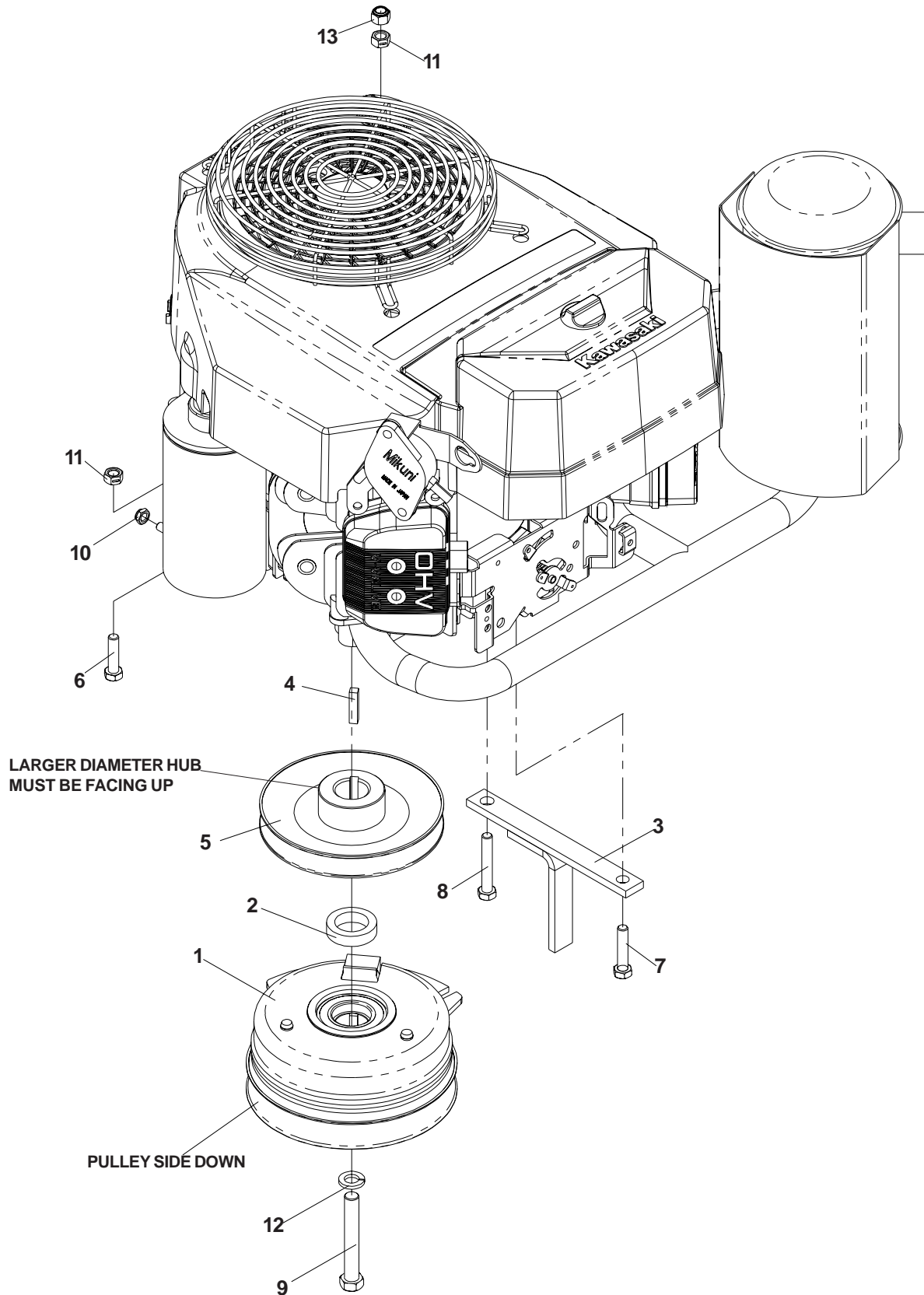
FRAME ASSEMBLY



FRAME ASSEMBLY

ITEM	PART NO.	QTY	DESCRIPTION	ITEM	PART NO.	QTY	DESCRIPTION
1	539990546	5	NUT, 3/8, CENTER LOCK	32	539107031	1	BELLCRANK, LEFT
2	539102563	1	LANYARD	33	539100143	8	HCS, 7/16C X 1
3	539102526	1	LIFT PIN	34	539990839	16	NUT, 7/16C, CENTER LOCK
4	539102515	1	GRIP	35	539102582	8	NUT, 7/16C, WHIZ
5	539105604	1	LIFT LEVER	36	539102641	4	LIFT CHAIN
6	539101050	1	GRIP	37	539101175	8	HCS, 7/16C X 1 1/2
7	539106532	1	PIN	38	539106622	2	FLAT LINKAGE
8	539104523	1	PIN	39	539990588	3	HCS, 3/8C X 2
9	539990761	3	NUT, 1/4, CENTER LOCK	40	539105582	1	HEIGHT ADJ. PLATE
10	539103534	1	PIN MOUNT	41	539106595	1	FRAME
11	539101058	1	SPRING	42	539106064	1	HOOD
12	539105060	1	CLEVIS PIN	43	539104411	4	KNOB
13	539991043	6	BUSHING, 5/8, MACHINE	44	539106685	2	CASTER ASSEMBLY, COMPLETE
14	539105069	1	E-RING, 5/8	45	539101331	1	NUT, 1/2C, NYLOC
15	539101232	6	BUSHING, 7/8, FLANGED	46	539105543	1	SPACER
16	539990580	2	HCS 1/4C X 3/4	47	539101907	1	HCS, 1/2C X 5 1/2
17	539104530	2	SPACER	48	539106993	1	TIRE, COMPLETE
18	539976989	1	HAIRPIN, 2 1/2		539106995	1	TIRE
19	539990591	2	HCS, 3/8C X 4 1/2		539106994	1	RIM
20	539101802	3	E-RING, 7/8		539912234	1	VALVE STEM
21	539923787	1	BUSHING, MACHINE		539102484	2	BEARING, FLANGE
22	539990654	4	COTTER PIN, 5/32 x 1 1/4		539105307	1	BEARING, ROLLER, 3 1/4
23	539977703	1	CLEVIS PIN, 3/8 X 1 1/8		539103300	1	ZERK
24	539107032	1	BELLCRANK, RIGHT	49	539106588	1	FORK, CASTER
25	539990184	4	NUT, 5/16, CENTER LOCK	50	539104763	4	U-CLIP
26	539107030	1	LIFT ARM, FRONT	51	539101874	2	LYNCH PIN, 7/16
27	539104808	4	PILLOW BLOCK	52	539923515	1	SPACER
28	539104807	2	REINF. PLATE	53	539106656	4	BUSHING, CASTER
29	539102642	1	SPRING	54	539100266	1	HCS, 1/4C X 1 1/4
30	539108358	2	LINK, DECK LIFT	55	539106598	4	SPACER
31	539991046	4	HCS, 5/16C X 2 1/2	56	539976998	2	ZERK

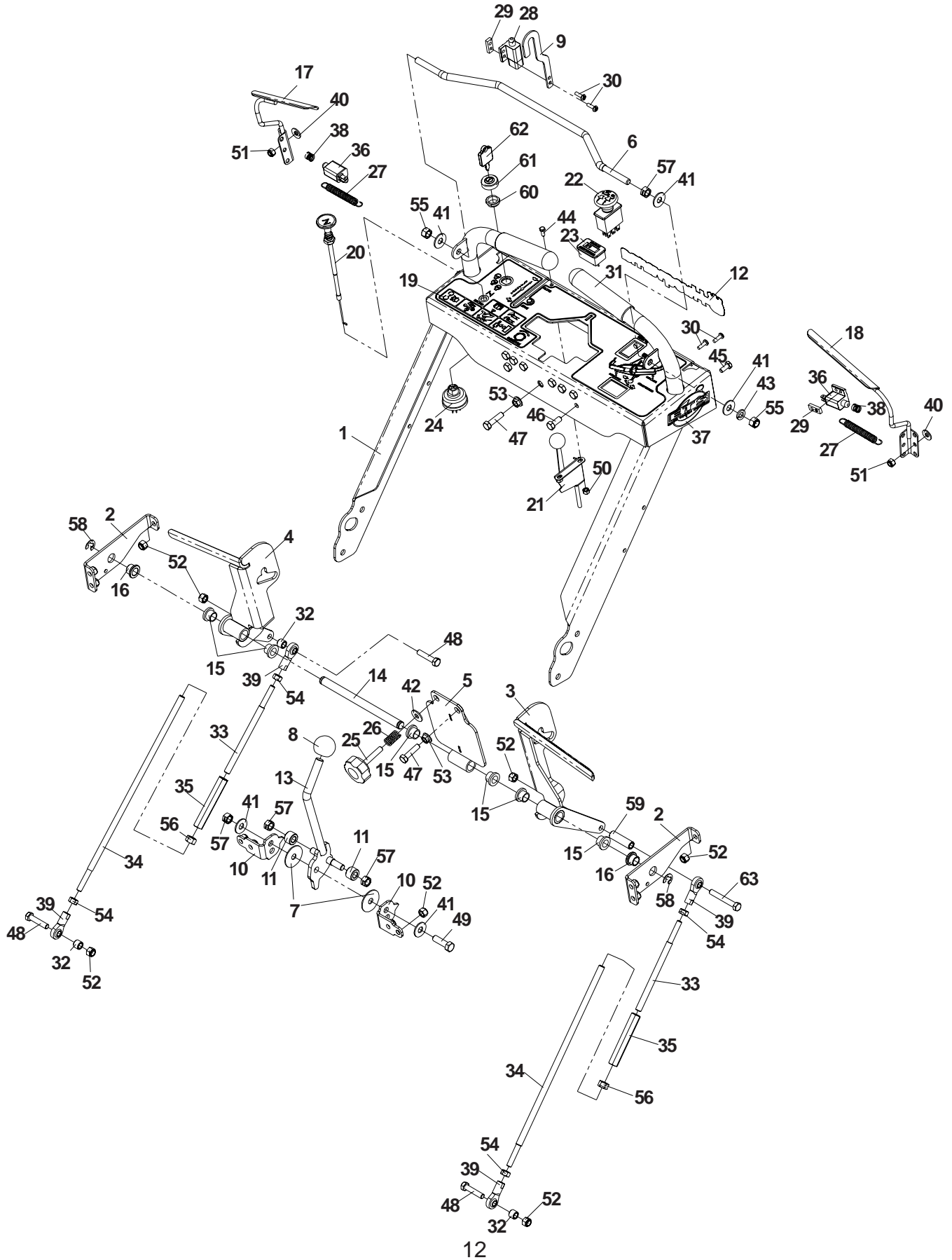
17 HP AND 19 HP ENGINES



17 HP AND 19 HP ENGINES

ITEM	PART NO.	QTY	DESCRIPTION
1	539109245	1	CLUTCH, 125 FT/LBS
2	539109703	1	SPACER
3	539106819	1	TIE DOWN, CLUTCH
4	539101995	1	KEY, 1/4" SQ. X 1 1/8"
5	539105610	1	PULLEY, PUMP
6	539990627	2	HCS, 5/16-18 X 1 1/4
7	539976935	1	HCS, 5/16-18 X 1 1/2
8	539976937	1	HCS, 5/16-18 X 2
9	539923388	1	HCS, 7/16-20 X 3
10	539108120	1	NUT, 1/4C, THIN NYLOC
11	539990184	4	NUT, 5/16C, CENTER LOCK
12	539990247	1	LOCKWASHER, 7/16
13	539990717	1	NUT, 5/16, NYLOC
	539110662	1	LOWER HARNESS (NOT SHOWN)

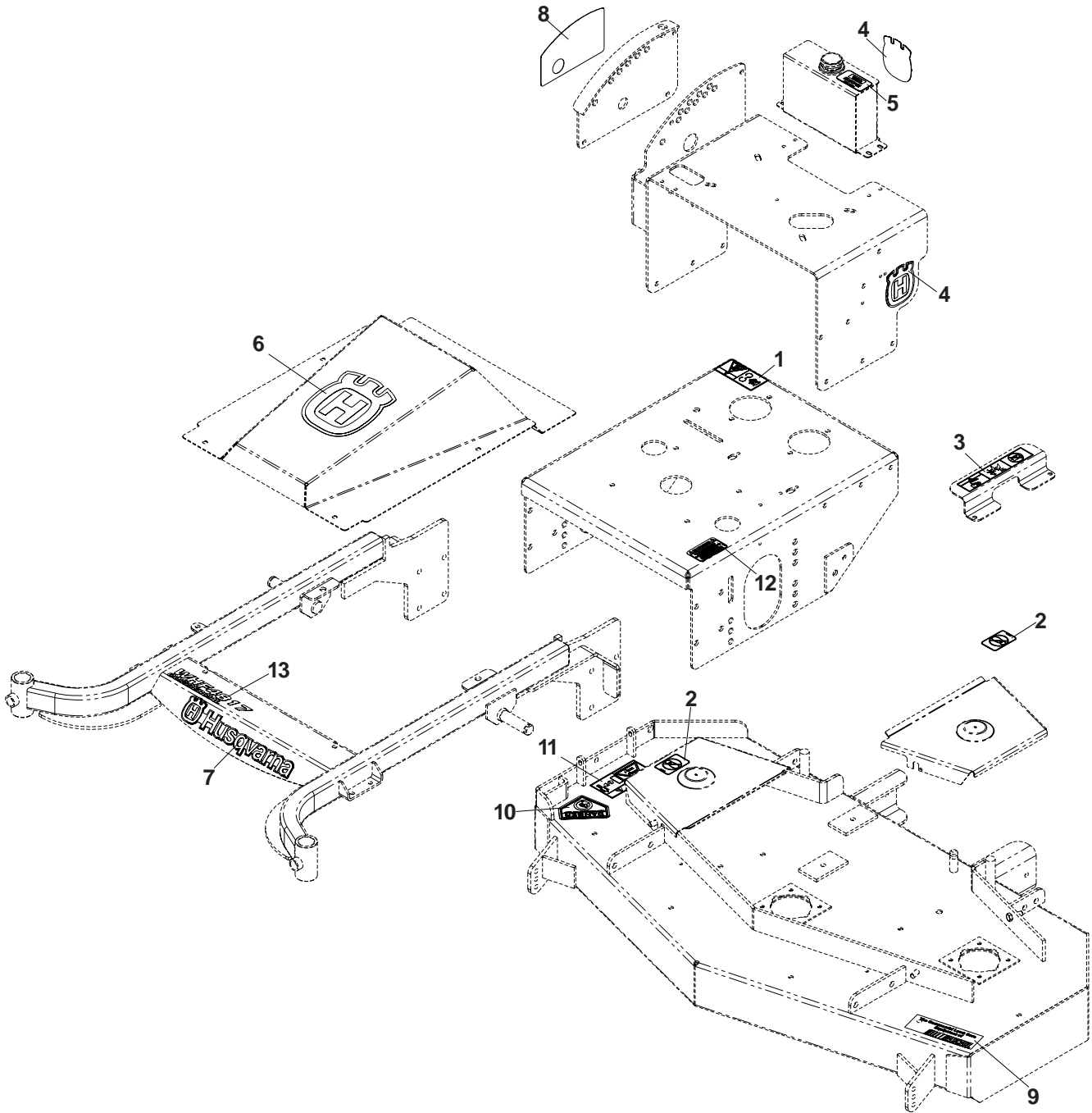
HANDLE ASSEMBLY



HANDLE ASSEMBLY

ITEM	PART NO.	QTY.	DESCRIPTION	ITEM	PART NO.	QTY.	DESCRIPTION
1	539109808	1	HANDLE	35	539109149	2	TURNBUCKLE, 3/8
2	539109809	2	BRACE	36	539923408	2	SWITCH N.C.
3	539109811	1	DRIVE LEVER, LEFT	37	539106599	2	DECAL, ETS
4	539109813	1	DRIVE LEVER, RIGHT	38	539110509	2	SPRING, SWITCH
5	539109816	1	TRACKING PLATE	39	539102590	4	BALL END, RIGHT
6	539109822	1	BAIL	40	539990598	2	WASHER, 1/4
7	539102998	2	WASHER, FRICTION	41	539990517	5	WASHER, 3/8
8	539100147	1	KNOB, SHIFT	42	539990692	1	WASHER, 5/16
9	539109817	1	ARM, NEUTRAL	43	539990118	1	LOCKWASHER, 3/8
10	539109614	2	PLATE, FRICTION	44	539990411	2	HCS, #10-24 X 1/2
11	539109612	2	ROLLER	45	539990072	2	HCS, 1/4-20 X 5/8
12	539104787	1	DECAL, HUSQVARNA	46	539976934	10	HCS, 5/16-18 X 3/4
13	539109820	1	LEVER, GROUND SPEED	47	539100469	2	HCS, 5/16-18 X 1 1/4
14	539109821	1	SHAFT, CROSS	48	539976935	3	HCS, 5/16-18 X 1 1/2
15	539100032	6	BUSHING, NYLON FLANGED	49	539976941	1	HCS, 3/8-16 X 1 1/4
16	539110552	2	BUSHING, FLANGED	50	539976977	2	NUT, #10-24, NYLOC
17	539109828	1	OP, RIGHT	51	539976978	2	NUT, 1/4-20, NYLOC
18	539109826	1	OP, LEFT	52	539990717	14	NUT, 5/16-18, NYLOC
19	539110666	1	DECAL, CONSOLE	53	539990585	2	NUT, 5/16-18
20	539102733	1	CONTROL, CHOKE	54	539990223	4	NUT, 5/16-24
21	539102732	1	CABLE, THROTTLE	55	539976979	2	NUT, 3/8-16, NYLOC
22	539101768	1	SWITCH, CLUTCH	56	539990155	2	NUT, 3/8-24
23	539108016	1	HOURMETER W/FLASH ALERT	57	539990546	4	NUT, 3/8-16, CENTER LOCK
24	539101770	1	SWITCH, IGNITION	58	539101949	2	E-RING, 1/2"
25	539103003	1	KNOB, ADJUSTMENT	59	539109023	1	SPACER
26	539101224	1	SPRING	60	539103177	1	NUT, IGNITION SWITCH
27	539977250	2	SPRING	61	539103178	1	CAP, IGNITION SWITCH NUT
28	539101080	1	SWITCH, N.C.	62	539104812	1	KEY, PADDED GRIP
29	539102678	3	PLATE, TAPPED	63	539101721	1	HCS, 5/16-18 X 2 3/4
30	539976952	6	SCREW, #10-24 X 5/8, MACHINE	539110663	1	UPPER HARNESS (NOT SHOWN)
31	539105842	2	GRIP	539976856	3	PLASTIC TIE (NOT SHOWN)
32	539102827	3	SPACER, PULLEY				
33	539109615	2	LINKAGE, SHORT				
34	539109773	2	LINKAGE, LOWER				

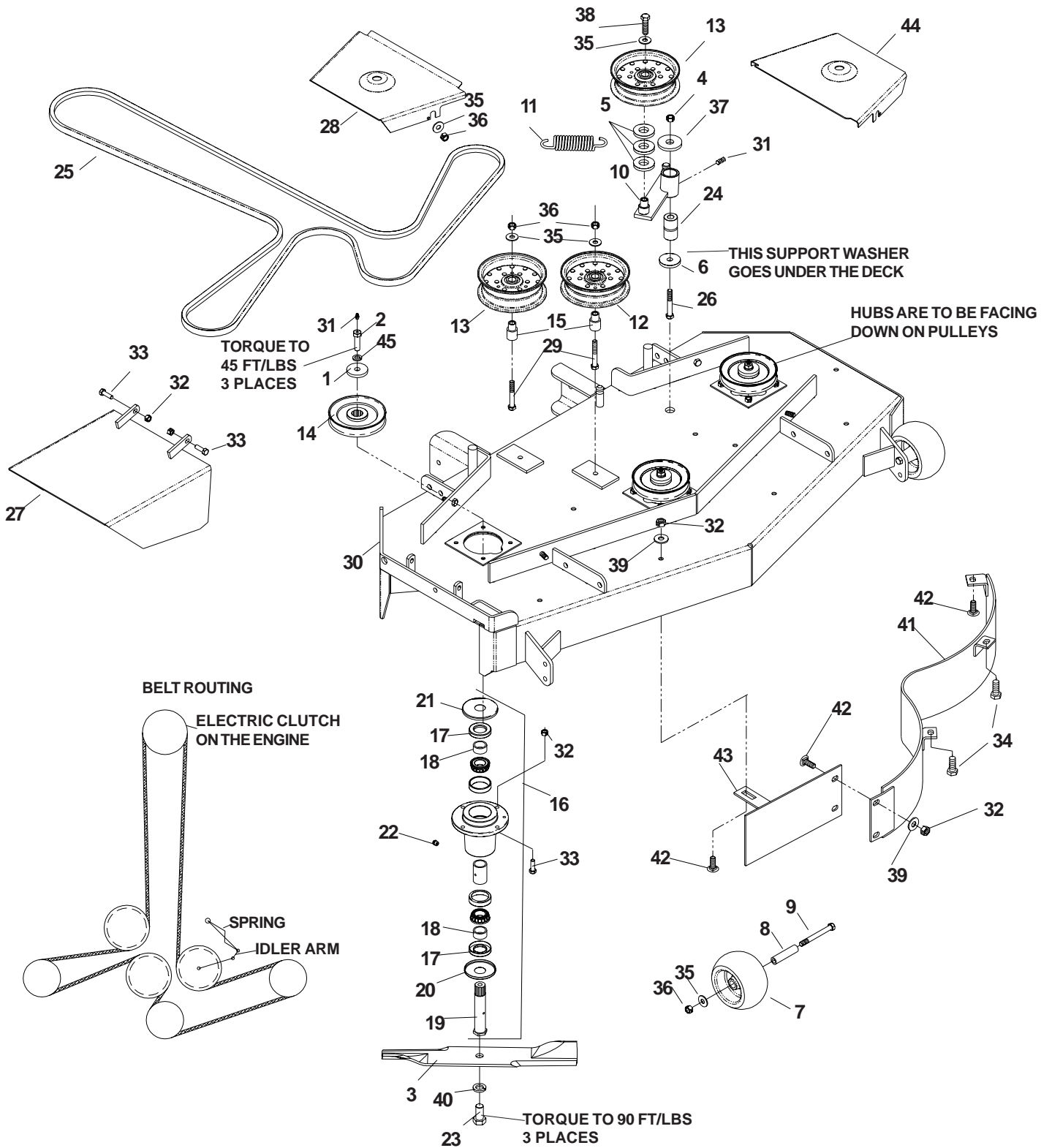
DECALS



DECALS

ITEM	PART NO.	QTY	DESCRIPTION
1	539105744	1	DECAL, EURO DANGER, BELT DRIVES
2	539105743	2	DECAL, EURO NO STEP
3	539105745	1	DECAL, EURO BATTERY WARNING
4	539104789	2	DECAL, SMALL CROWN
5	539105301	1	DECAL, MOBIL
6	539105803	1	DECAL, CROWN
7	539200732	1	DECAL, HUSQVARNA
8	539105629	1	DECAL, CUT HEIGHT
9	539105071	1	DECAL, NASCAR
10	539913010	1	DECAL, CPSC
11	539105746	1	DECAL, EURO SEVERING
12	539101881	1	DECAL, PROP 65
13	539110658	1	DECAL, WHF4817
.....	539110659	1	DECAL, WHF5219

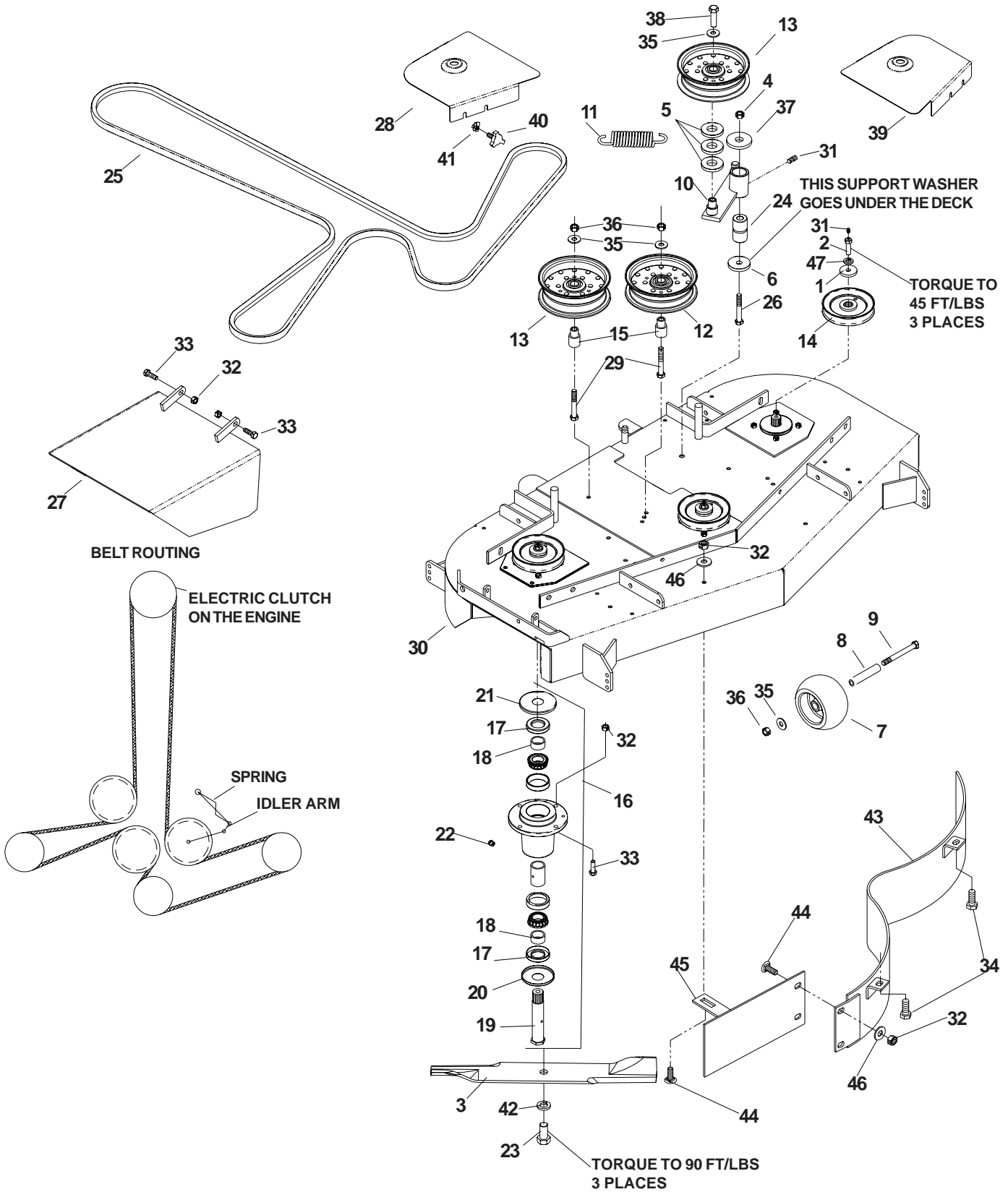
48" DECK



48"DECK

ITEM	PART NO.	QTY	DESCRIPTION
1	539106504	3	HEAVY WASHER
2	539108766	3	HCS 7/16-20 X 1 1/2, SPECIAL
3	539100340	3	BLADE 16 1/4"
4	539101331	1	NUT, 1/2-13, NYLOC
5	539991043	3	BUSHING, MACHINE
6	539102243	1	SUPPORT WASHER
7	539102643	2	ANTI-SCALP ROLLER
8	539102698	2	BUSHING
9	539102754	2	HCS, 3/8-16 X 3 1/2
10	539103230	1	IDLER ARM
11	539103256	1	SPRING
12	539103257	2	IDLER PULLEY
13	539103258	1	IDLER PULLEY (TALL)
14	539107276	3	PULLEY
15	539103295	2	IDLER BUSHING
16	539108773	3	SPINDLE ASSEMBLY (COMPLETE)
17	539108754	2	SHAFT SEAL
18	539108758	2	SPACER
19	539108760	1	SPINDLE
20	539108449	1	DUST CAP, BOTTOM
21	539108450	1	DUST CAP, TOP
22	539977326	1	GREASE POPET
23	539103299	3	HCS, 5/8-18 X 1 1/4
24	539103427	1	PIVOT BUSHING
25	539109243	1	BELT, 48"
26	539103433	1	HCS, 1/2-13 X 3 1/4
27	539104546	1	DEFLECTOR CHUTE
28	539108902	1	SHIELD, RIGHT
29	539990637	2	HCS, 3/8-16 X 2 1/2
30	539106576	1	DECK W/DECALS
31	539976998	1	ZERK
32	539990184	20	NUT, 5/16 CENTER LOCK
33	539990209	14	HCS, 5/16-18 X 1
34	539976934	2	HCS, 5/16-18 X 3/4
35	539990517	9	WASHER, 3/8
36	539990546	8	NUT, 3/8-16, CENTER LOCK
37	539990550	1	WASHER, 1/2
38	539990582	1	HCS 3/8-16 X 1, SERR. HD.
39	539990692	6	WASHER, 5/16
40	539990333	3	LOCKWASHER, 5/8
41	539105448	1	BAFFLE, MAIN
42	539990799	4	RHSNB 5/16-18 X 5/8
43	539105444	1	BAFFLE, CENTER
44	539108904	1	SHIELD, LEFT
45	539990247	3	LOCKWASHER, 7/16

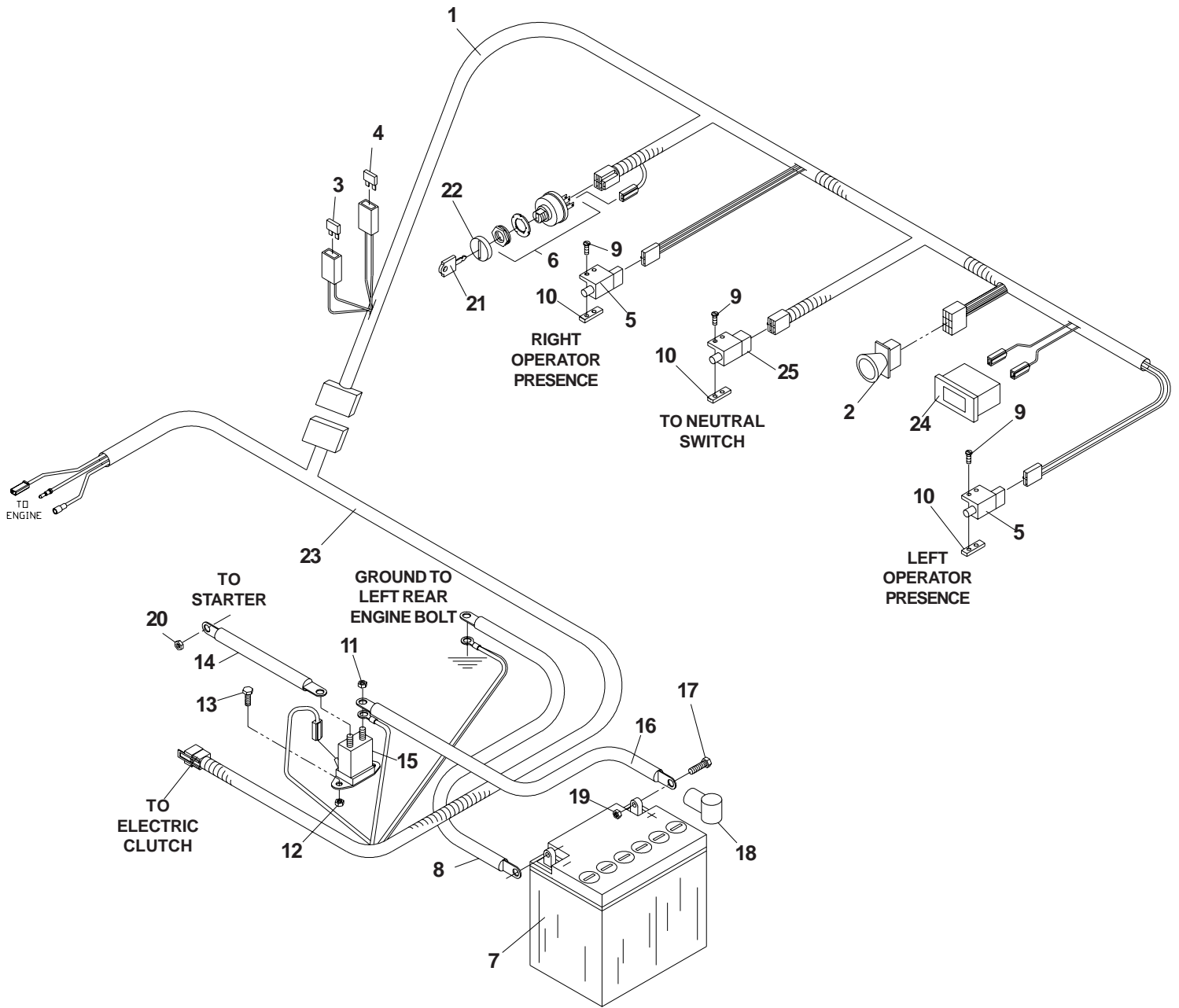
52" DECK



52"DECK

ITEM	PART NO.	QTY	DESCRIPTION
1	539106504	3	HEAVY WASHER
2	539108766	3	HCS 7/16-20 X 1 1/2, SPECIAL
3	539100341	3	BLADE 18"
4	539101331	1	NUT, 1/2-13, NYLOC
5	539991043	3	BUSHING, MACHINE
6	539102243	1	SUPPORT WASHER
7	539102643	2	ANTI-SCALP ROLLER
8	539102698	2	BUSHING
9	539102754	2	HCS, 3/8-16 X 3 1/2
10	539103230	1	IDLER ARM
11	539105192	1	SPRING
12	539103257	2	IDLER PULLEY
13	539103258	1	IDLER PULLEY (TALL)
14	539107277	3	PULLEY
15	539103295	2	IDLER BUSHING
16	539108773	3	SPINDLE, COMPLETE
17	539108754	2	SHAFT SEAL
18	539108758	2	SPACER
19	539108760	1	SPINDLE
20	539108449	1	DUST CAP, BOTTOM
21	539108450	1	DUST CAP, TOP
22	539977326	1	GREASE POPET
23	539103299	3	HCS, 5/8-18 X 1 1/4
24	539103427	1	PIVOT BUSHING
25	539109242	1	BELT
26	539103433	1	HCS, 1/2-13 X 3 1/4
27	539107312	1	DEFLECTOR CHUTE
28	539108908	1	SHIELD, RIGHT
29	539990637	2	HCS, 3/8-16 X 2 1/2
30	539106582	1	DECK W/DECALS
31	539976998	1	ZERK
32	539990184	19	NUT, 5/16-18, CENTER LOCK
33	539990209	14	HCS, 5/16-18 X 1
34	539976934	2	HCS, 5/16-18 X 3/4
35	539990517	5	WASHER 3/8 FLAT
36	539990546	5	NUT, 3/8-16 CENTER LOCK
37	539990550	1	WASHER, 1/2
38	539990582	1	HCS, 3/8-16 X 1, SERR. HD.
39	539108910	1	SHIELD, LEFT
40	539104411	6	KNOB
41	539104763	6	U-CLIP
42	539990333	3	LOCKWASHER, 5/8
43	539105457	1	BAFFLE, MAIN
44	539990799	3	RHSNB, 5/16-18 X 5/8
45	539105453	1	BAFFLE, CENTER
46	539990692	5	WASHER, 5/16
47	539990247	3	LOCKWASHER, 7/16

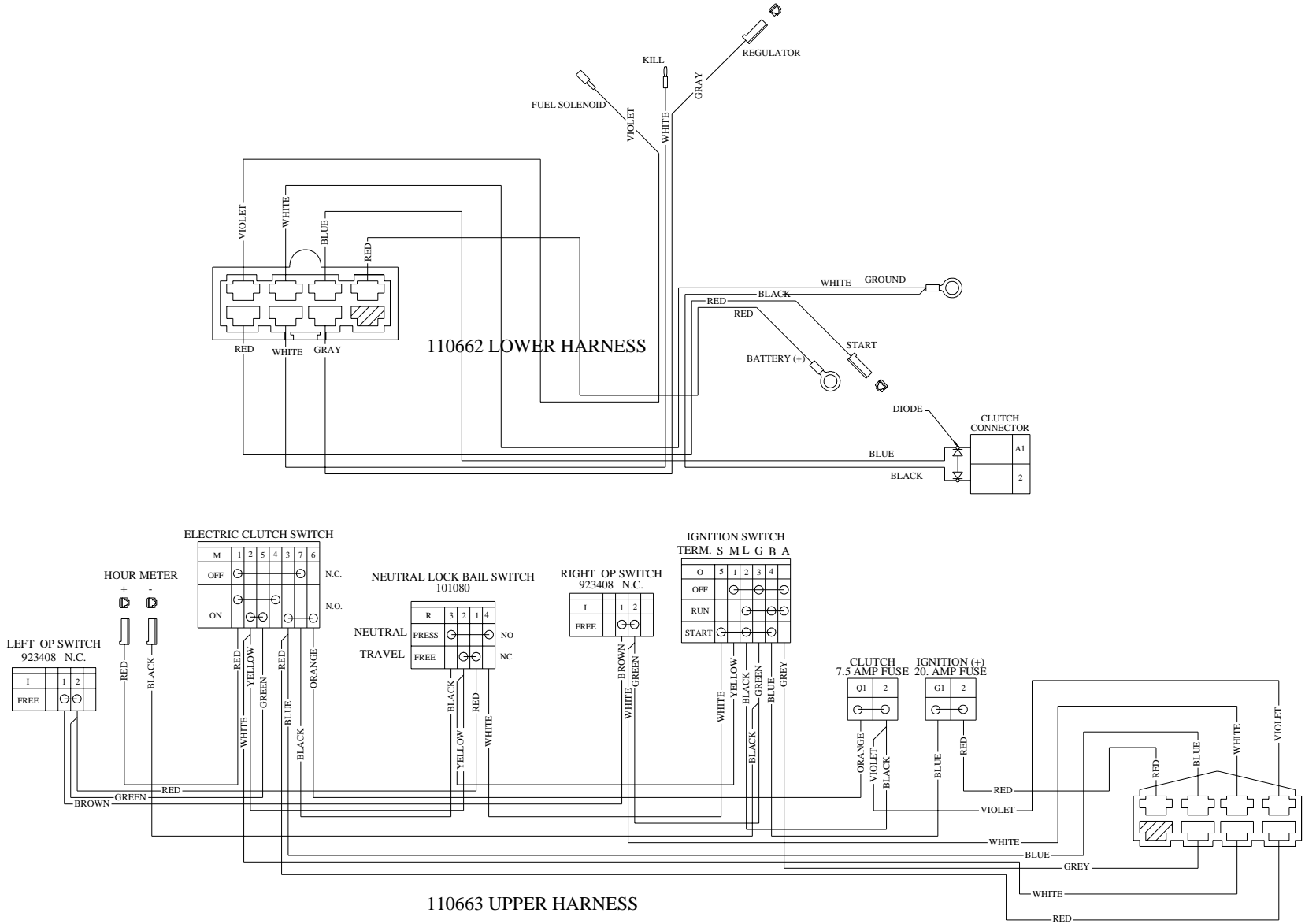
WIRING ASSEMBLY



WIRING ASSEMBLY

ITEM	PART NO.	QTY	DESCRIPTION
1	539110663	1	UPPER HARNESS
2	539101768	1	CLUTCH SWITCH
3	539102086	1	FUSE 20 AMP
4	539101771	1	FUSE 7.5 AMP
5	539923408	2	SWITCH N. C.
6	539101770	1	IGNITION SWITCH
	539103177	1	NUT, SWITCH
7	539102463	1	BATTERY
8	539102758	1	NEG. CABLE
9	539976952	6	SCREW #10-24
10	539102678	3	TAPPED PLATE
11	539976978	2	NUT 1/4
12	539990372	2	NUT 1/4 LOCK
13	539990072	2	HCS 1/4 X .625
14	539102757	1	POS. CABLE
15	539101714	1	SOLINOID
16	539103306	1	POS. CABLE LONG
17	539976934	2	HCS 5/16 X .750
18	539102759	1	INSULATOR
19	539990184	2	NUT 5/16 CTR. LOCK
20	539108120	1	NUT 1/4 THIN NYLOC
21	539104812	1	KEY
22	539103178	1	COVER
23	539110662	1	LOWER HARNESSS
24	539108016	1	HOUR METER
25	539101080	1	2 POLE SWITCH

WIRING SCHEMATIC



 **Husqvarna**

Free Manuals Download Website

<http://myh66.com>

<http://usermanuals.us>

<http://www.somanuals.com>

<http://www.4manuals.cc>

<http://www.manual-lib.com>

<http://www.404manual.com>

<http://www.luxmanual.com>

<http://aubethermostatmanual.com>

Golf course search by state

<http://golfingnear.com>

Email search by domain

<http://emailbydomain.com>

Auto manuals search

<http://auto.somanuals.com>

TV manuals search

<http://tv.somanuals.com>