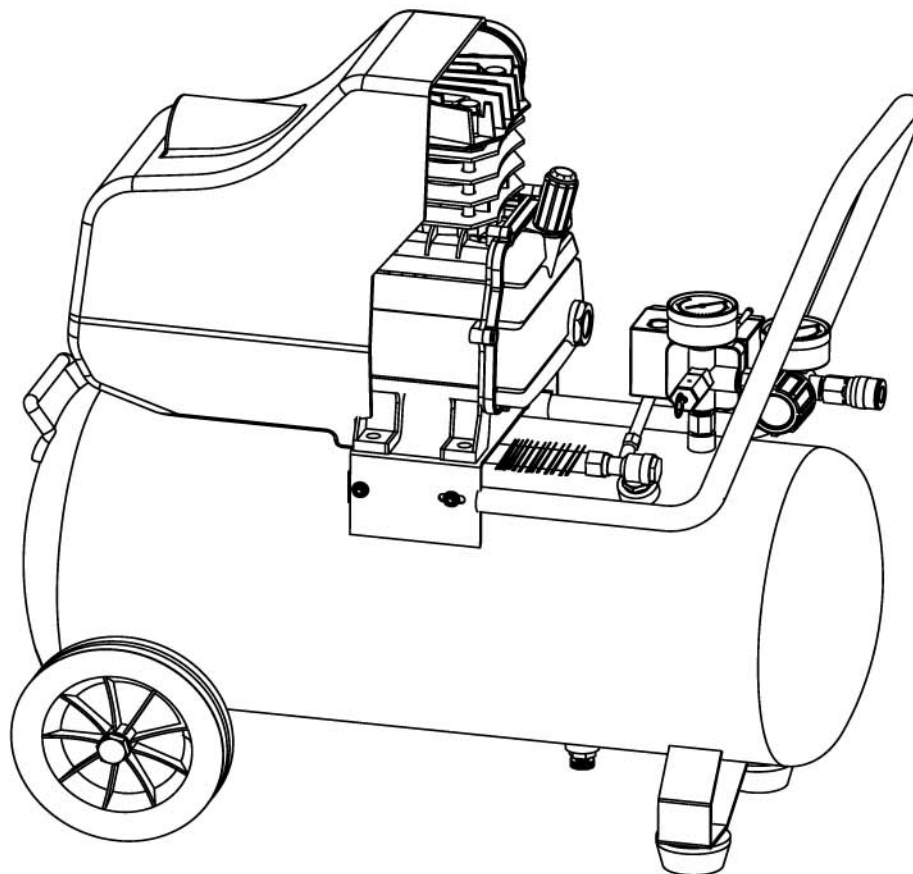




OPERATOR'S MANUAL
8 Gallon Portable Air Compressor
TA-2530B



Your air compressor has been engineered and manufactured to Husky's high standard for dependability, ease of operation, and operator safety. When properly cared for, it will give you years of rugged, trouble-free performance.



WARNING: To reduce the risk of injury, the user must read and understand the operator's manual before using this product.

Thank you for buying a Husky product.

SAVE THIS MANUAL FOR FUTURE REFERENCE

Rev. 10/21/2010

TABLE OF CONTENTS

■ General Safety Rules	3-4
■ Specific Safety Rules	5
■ Symbols	6-7
■ Electrical	8
■ Glossary of Terms	9
■ Features	10-11
■ Assembly	11
■ Operation and Set-Up	12-15
■ Maintenance	16
■ Troubleshooting	17
■ Exploded View	18
■ Parts List	19
■ Warranty	20

INTRODUCTION

Product for consumer use only. Not intended for commercial use.

DANGER

This compressor/pump is not equipped and should not be used to supply breathing quality air. Additional equipment would be necessary to properly filter and purify the air to meet minimal specifications for Grade D breathing as described in Compressed Gas Association Commodity Specification G 7.1 - 1966, OSHA 29 CFR 1910.134. Compressed Gas Association, 4221 Walney Road, Fifth Floor, Chantilly, VA 20151-2923, (703) 788-2700, www.cganet.com. Any such additional equipment has not been examined and no implication of proper use for breathing air is intended or implied. If this compressor is altered in any way, existing warranties shall be voided. Husky and Zhejiang Hongyou Air Compressor Manufacturing Co., LTD(Hongyou) disclaim any liabilities whatsoever for any loss, personal injury, or damage.

GENERAL SAFETY RULES



WARNING

Read and understand all instructions. Failure to follow all instructions listed below may result in electric shock, fire, and/or serious personal injury.

SAVE THESE INSTRUCTIONS

WORK AREA

- **Keep your work area clean and well lit.** Cluttered benches and dark areas invite accidents. Floor must not be slippery from wax or dust.
- **Do not operate power tools in explosive atmospheres, such as in the presence of flammable liquids, gases, or dust.** Power tools create sparks which may ignite the dust or fumes.
- **Keep bystanders, children, and visitors away while operating tools.** Distractions can cause you to lose control.
- **Operate air compressor in an open area at least 18 in. away from any wall or object that could restrict the flow of fresh air to ventilation openings.**

ELECTRICAL SAFETY

- **Avoid body contact with grounded surfaces such as pipes, radiators, ranges, and refrigerators.** There is an increased risk of electric shock if your body is grounded.
- **Don't expose power tools to rain or wet conditions.** Water entering a power tool will increase the risk of electric shock.
- **Do not abuse the cord. Never use the cord to carry the tool or pull the plug from an outlet. Keep cord away from heat, oil, sharp edges, or moving parts. Replace damaged cords immediately.** Damaged cords increase the risk of electric shock.
- **When operating a power tool outside, use an outdoor extension cord marked "W-A" or "W".** These cords are rated for outdoor use and reduce the risk of electric shock.

PERSONAL SAFETY

- **Eye protection which conforms to ANSI specifications and provides protection against flying particles both from the FRONT and SIDE should ALWAYS be worn by the operator and others in the work area when loading, operating, or servicing this tool.** Eye protection is required to guard against flying fasteners and debris, which could cause severe eye injury.

- **The employer and/or user must ensure that proper eye protection is worn.** We recommend a Wide Vision Safety Mask for use over eyeglasses or standard safety glasses that provide protection against flying particles both from the front and side. Always use eye protection which is marked to comply with ANSI Z87.1.

- **Additional safety protection will be required in some environments.** For example, the working area may include exposure to a noise level which can lead to hearing damage. The employer and user must ensure that any necessary hearing protection is provided and used by the operator and others in the work area. Some environments will require the use of head protection equipment. When required, the employer and user must ensure that head protection marked to comply with ANSI Z89.1 is used.

- **Stay alert, watch what you are doing, and use common sense when operating a power tool. Do not use tool while tired or under the influence of drugs, alcohol, or medication.** A moment of inattention while operating power tools may result in serious personal injury.

- **Dress properly. Do not wear loose clothing or jewelry. Contain long hair. Keep your hair, clothing, and gloves away from moving parts.** Loose clothes, jewelry, or long hair can be caught in moving parts.

- **Do not overreach. Keep proper footing and balance at all times.** Proper footing and balance enables better control of the tool in unexpected situations.

- **Use safety equipment. Always wear eye protection.** Dust mask, nonskid safety shoes, hard hat, or hearing protection must be used for appropriate conditions.

- **Do not use on a ladder or unstable support.** Stable footing on a solid surface enables better control of the tool in unexpected situations.

TOOL USE AND CARE

- **Do not exceed the pressure rating of any component in the system.**

- **Protect material lines and air lines from damage or puncture.** Keep hose and power cord away from sharp objects, chemical spills, oil, solvents, and wet floors.

- **Check hoses for weak or worn condition before each use, making certain all connections are secure.** Do not use if defect is found. Purchase a new hose or notify an authorized service center for examination or repair.

- **Release all pressures within the system slowly.** Dust and debris may be harmful.

- **Store idle tools out of the reach of children and other untrained persons.** Tools are dangerous in the hands of untrained users.

GENERAL SAFETY RULES

- **Maintain tools with care.** Follow maintenance instructions. Properly maintained tools are easier to control.
- **Check for misalignment or binding of moving parts, breakage of parts, and any other condition that may affect the tool's operation. If damaged, have the tool serviced before using.** Many accidents are caused by poorly maintained tools.
- **Never point any tool toward yourself or others.**
- **Keep the exterior of the air compressor dry, clean, and free from oil and grease.** Always use a clean cloth when cleaning. Never use brake fluids, gasoline, petroleum-based products, or any strong solvents to clean the unit. Following this rule will reduce the risk of deterioration of the enclosure plastic.

SERVICE












- **Tool service must be performed only by qualified repair personnel.** Service or maintenance performed by unqualified personnel may result in a risk of injury.
- **Disconnect power supply, open drain valve to decompress tank and allow water to drain, and allow air compressor to become cool to the touch before servicing.** Turn pressure regulator knob fully clockwise after shutting off compressor.
- **When servicing a tool, use only identical replacement parts. Follow instructions in the Maintenance section of this manual.** Use of unauthorized parts or failure to follow Maintenance instructions may create a risk of injury.

SPECIFIC SAFETY RULES

- **Know your power tool.** Read operator's manual carefully. Learn its applications and limitations, as well as the specific potential hazards related to this tool. Following this rule will reduce the risk of electric shock, fire, or serious injury.
- **Drain tank of moisture after each day's use.** If unit will not be used for a while, it is best to leave drain valve open until such time as it is to be used. This will allow moisture to completely drain out and help prevent corrosion on the inside of tank.
- **Risk of Fire or Explosion.** Only spray flammable liquids such as paints or lacquers. Never spray flammable liquids in a confined area. Spray area must be well ventilated. Do not smoke while spraying or spray where spark or flame is present. Keep compressors as far from the spraying area as possible, at least 15 feet from the spraying area and all explosive vapors.
- **Risk of Bursting.** Do not adjust regulator to result in output pressure greater than marked maximum pressure of attachment. Do not use at pressure greater than 125PSI.
- **If connected to a circuit protected by fuses,** use time-delay fuses with this product.
- **To reduce the risk of electric shock,** do not expose to rain. Store indoors.
- **Inspect tank yearly for rust, pin holes, or other imperfections that could cause it to become unsafe.** Never weld or drill holes in the air tank.
- **Make sure the hose is free of obstructions or snags.** Entangled or snarled hoses can cause loss of balance or footing and may become damaged.
- **Use the air compressor only for its intended use. Do not alter or modify the unit from the original design or function.**
- **Always be aware that misuse and improper handling of this tool can cause injury to yourself and others.**
- **Never leave a tool unattended with the air hose attached.**
- **Do not operate this tool if it does not contain a legible warning label.**
- **Do not continue to use a tool or hose that leaks air or does not function properly.**
- **Always disconnect the air supply and power supply before making adjustments, servicing a tool, or when a tool is not in use.**
- **Do not attempt to pull or carry the air compressor by the hose.**
- **Your tool may require more air consumption than this air compressor is capable of providing.**
- **Never store tool with air connected.** Storing the tool with air connected can result in unexpected firing and possible serious personal injury.
- **Always follow all safety rules recommended by the manufacturer of your air tool, in addition to all safety rules for the air compressor.** Following this rule will reduce the risk of serious personal injury.
- **Never direct a jet of compressed air toward people or animals. Take care not to blow dust and dirt towards yourself or others.** Following this rule will reduce the risk of serious injury.
- **Protect your lungs.** Wear a face or dust mask if the operation is dusty. Following this rule will reduce the risk of serious personal injury.
- **Do not use this air compressor to spray chemicals.** Your lungs can be damaged by inhaling toxic fumes. A respirator may be necessary in dusty environments or when spraying paint. Do not carry while painting.
- **Inspect tool cords and hoses periodically and, if damaged, have repaired at your nearest Authorized Service Center. Constantly stay aware of cord location.** Following this rule will reduce the risk of electric shock or fire.
- **Never use an electrical adaptor with this grounded plug.**
- **Check damaged parts.** Before further use of the air compressor or air tool, a guard or other part that is damaged should be carefully checked to determine that it will operate properly and perform its intended function. Check for alignment of moving parts, binding of moving parts, breakage of parts, mounting, and any other conditions that may affect its operation. A guard or other part that is damaged should be properly repaired or replaced by an authorized service center. Following this rule will reduce the risk of shock, fire, or serious injury.
- **Make sure your extension cord is in good condition.** When using an extension cord, be sure to use one heavy enough to carry the current your product will draw. A wire gauge size (A.W.G.) of at least 14 is recommended for an extension cord 25 feet or less in length. A cord exceeding 25 feet is not recommended. If in doubt, use the next heavier gauge. The smaller the gauge number, the heavier the cord. An undersized cord will cause a drop in line voltage resulting in loss of power and overheating.
- **Save these instructions.** Refer to them frequently and use them to instruct others who may use this air compressor. If you loan someone this tool, loan them these instructions also.




SYMBOLS

Some of the following symbols may be used on this tool. Please study them and learn their meaning. Proper interpretation of these symbols will allow you to operate the tool better and safer.

SYMBOL	NAME	DESIGNATION/EXPLANATION
V	Volts	Voltage
A	Amperes	Current
Hz	Hertz	Frequency (cycles per second)
~	Alternating Current	Type of current
	Class II Construction	Double-insulated constructor
	Wet Conditions Alert	Do not expose to rain or use in damp locations.
	Read The Operator's Manual	To reduce the risk of injury, user must read and understand operator's manual before using this product.
	Eye Protection	Always wear safety goggles or safety glasses with side shields and, as necessary, a full face shield when operating this product.
	Safety Alert	Precautions that involve your safety.
	Risk of Bursting	Do not adjust regulator to result in output pressure greater than marked maximum pressure of attachment. Do not use at pressure greater than 125PSI(861.8kPa).
	Risk of Fire or Explosion	Do not spray flammable liquid in a confined area. Spray area must be well ventilated. Do not smoke while spraying or spray where spark or flame is present. Keep compressors as far from the spraying area as possible, at least 15 feet from the spraying area and all explosive vapors.
	Risk of Electrical Shock	Hazardous Voltage: Disconnect from power source before servicing. Compressor must be grounded.
	Hot Surface	To reduce the risk of injury or damage, avoid contact with any hot surface.
	Risk to Breathing	Air obtained directly from the air compressor should never be used to supply air for human consumption.
	Risk to hearing	Always wear ear protection when using this tool. Failure to do so may result in hearing loss.

SYMBOLS

The following signal words and meanings are intended to explain the levels of risk associated with this product.

SYMBOL	SIGNAL	MEANING
	DANGER	Indicates an imminently hazardous situation, which, if not avoided, will result in death or serious injury.
	WARNING	Indicates a potentially hazardous situation, which, if not avoided, could result in death or serious injury.
	CAUTION	Indicates a potentially hazardous situation, which, if not avoided, may result in minor or moderate injury.
	CAUTION	(Without Safety Alert Symbol) Indicates a situation that may result in property damage.

SERVICE

Servicing requires extreme care and knowledge and should be performed only by a qualified service technician. For service we suggest you return the product to the nearest **AUTHORIZED SERVICE CENTER** for repair. When servicing, use only identical replacement parts.

WARNING

To avoid serious personal injury, do not attempt to use this product until you read thoroughly and understand completely the operator's manual. If you do not understand the warnings and instructions in the operator's manual, do not use this product. Call customer service for assistance.

WARNING



The operation of any power tool can result in foreign objects being thrown into your eyes, which can result in severe eye damage. Before beginning power tool operation, always wear safety goggles or safety glasses with side shields and, when needed, a full face shield. We recommend Wide Vision Safety Mask for use over eyeglasses or standard safety glasses with side shields. Always use eye protection which is marked to comply with ANSI Z87.1.

SAVE THESE INSTRUCTIONS

ELECTRICAL

EXTENSION CORDS

Use only 3-wire extension cords that have 3-prong grounding plugs and 3-pole receptacles that accept the product's plug. When using a power tool at a considerable distance from the power source, use an extension cord heavy enough to carry the current that the product will draw. An undersized extension cord will cause a drop in line voltage, resulting in a loss of power and causing the motor to overheat. Use the chart provided below to determine the minimum wire size required in an extension cord. Only round jacketed cords listed by Underwriter's Laboratories (UL) should be used.

**Ampere rating (on product data plate)

Cord Length	Wire Size (A.W.G.)					
25'	16	16	16	16	14	14
50'	16	16	16	14	14	12
100'	16	14	12	10	—	—

**Used on 12 gauge - 20 amp circuit.

NOTE: AWG = American Wire Gauge

When working with the air compressor outdoors, use an extension cord that is designed for outside use. This is indicated by the letters "WA" on the cord's jacket.

Before using an extension cord, inspect it for loose or exposed wires and cut or worn insulation.



WARNING

Keep the extension cord clear of the working area. Position the cord so that it will not get caught on lumber, tools, or other obstructions while you are working with a power tool. Failure to do so can result in serious personal injury.



WARNING

Check extension cords before each use. If damaged, replace immediately. Never use the product with a damaged cord since touching the damaged area could cause electrical shock resulting in serious injury.

NOTE: Use longer air hoses rather than long extension cords. Your air compressor will run better and last longer.

ELECTRICAL CONNECTION

This product is powered by a precision-built electric motor. It should be connected to a **power supply that is 120 volts, 60 Hz, AC only (normal household current)**. Do not operate this product on direct current (DC). A substantial voltage drop will cause a loss of power and the motor will overheat. If the product does not operate when plugged into an outlet, double check the power supply.

SPEED AND WIRING

This air compressor's speed is not constant and decreases under a load or with lower voltage. For voltage, the wiring in a shop is as important as the motor's horsepower rating. A line intended only for lights cannot properly carry a power tool motor. Wire that is heavy enough for a short distance will be too light for a greater distance. A line that can support one power tool may not be able to support two or three products.

GROUNDING INSTRUCTIONS

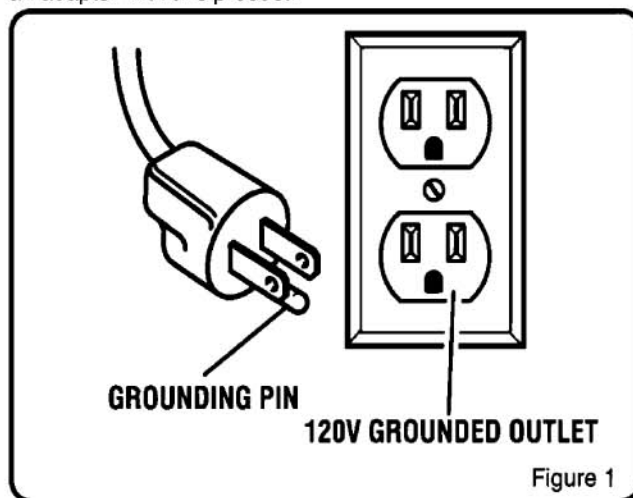
This product must be ground. In the event of an electrical short circuit, grounding reduces the risk of electric shock by providing an escape wire for the electric current. This product is equipped with an electric cord having an equipment-grounding conductor and a grounding plug. The plug must be plugged into a matching outlet that is properly installed and grounded in accordance with all local codes and ordinances.

WARNING

Do not modify the plug provided. If it will not fit the outlet, have the proper outlet installed by a qualified electrician. Improper connection of the equipment-grounding conductor can result in a risk of electric shock. The conductor with insulation having an outer surface that is green with or without yellow stripes is the equipment-grounding conductor. If repair or replacement of the electric cord or plug is necessary, do not connect the equipment-grounding conductor to either flat blade terminal (a live terminal).

Check with a qualified electrician or service personnel if the grounding instructions are not completely understood, or if in doubt as to whether the product is properly grounded. Repair or replace a damaged or worn cord immediately.

This product is intended for use on a nominal 120-V circuit that has an outlet like the one shown in Figure 1. It also has a grounding pin like the one shown. Only connect the product to an outlet having the same configuration as the plug. Do not use an adapter with this product.



GLOSSARY OF TERMS

Air Filter

Porous element contained within a metal or plastic housing attached to the compressor cylinder head which removes impurities from the intake air of the compressor.

Air Tank

Cylindrical component which contains the compressed air.

Check Valve

Device that prevents compressed air from flowing back from the air tank to the compressor pump.

Cut-In Pressure

The low pressure at which the motor will automatically restart.

Cut-Off Pressure

The high pressure at which the motor will automatically shut off.

Electric Motor

Device which provides the rotational force necessary to operate the compressor pump.

Manual Automatic/Off Switch

Control which turns the air compressor on or off. The pressure switch will not automatically start and control the compressor unless the manual Automatic/Off Switch is in the **AUTOMATIC (I)** position.

NPT (National Pipe Thread)

National Pipe Thread is a U.S. standard for tapered(NPT) threads used to join pipes and fittings.

A seal thread tape must be used to provide a leak-free seal on pipe threaded connections.

Pressure Regulator Knob

Regulates the outgoing pressure from the air outlet to the tool. It is possible to increase or decrease the pressure at the outlet by adjusting this control knob.

Pressure Switch

Automatically controls the on/off cycling of the compressor. It stops the compressor when the cut-off pressure in the tank is reached and starts the compressor when the air pressure drops below the cut-in pressure.

PSI (Pounds Per Square Inch)

Measurement of the pressure exerted by the force of the air. The actual psi is measured by a pressure gauge on the compressor.

Pump

Produces the compressed air with a reciprocating piston contained within the cylinder.

Regulator Pressure Gauge

Displays the current line pressure. Line pressure is adjusted by rotating the pressure regulator knob.

Safety Valve

Prevents air pressure in the air tank from rising over a predetermined limit.

SCFM (Standard Cubic Feet Per Minute)

A unit of measure of air delivery.

Tank Pressure Gauge

Indicates the pressure in the air tank.

Thermal Overload Switch

Automatically shuts off the compressor if the temperature of the electric motor exceeds a predetermined limit.

FEATURES

PRODUCT SPECIFICATIONS

Running Horsepower.....	1.5 HP	Lubrication.....	Oil lubricated
Air Tank Capacity.....	8 gal.	Gauges.....	2 in. diameter
Air Pressure.....	125 psi max.	Input.....	120 V, 60 Hz, AC Only, 12.5 Amps
Air Delivery.....	4.0 SCFM @ 90 psi	Net Weight.....	61.7 lbs.

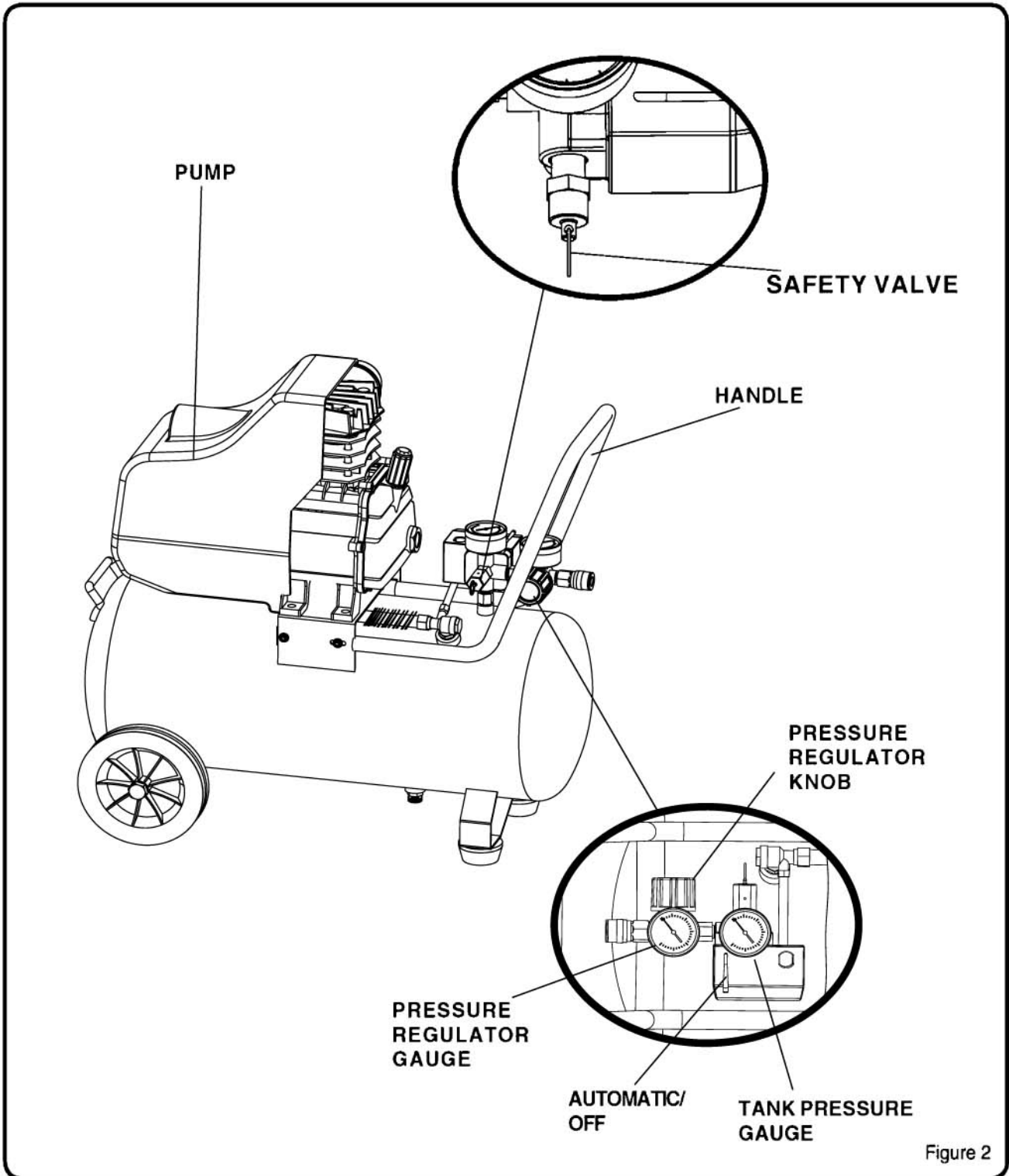


Figure 2

FEATURES

KNOW YOUR AIR COMPRESSOR

See Figure 2.

The safe use of this product requires an understanding of the information on the product and in this operator's manual as well as a knowledge of the project you are attempting. Before use of this product, familiarize yourself with all operating features and safety rules.

HANDLE

The air compressor is equipped with a padded carrying handle for ease of use.

OIL LUBRICATED INDUCTION MOTOR

A long-life oil lubricated pump check oil before use.

PRESSURE REGULATOR KNOB

Use the pressure regulator knob to adjust the amount of air being delivered through the hose.

SAFETY VALVE

The safety relief valve is designed to automatically release air if the air receiver pressure exceeds the preset maximum.

REGULATOR PRESSURE GAUGE

The current line pressure is displayed on the regulator pressure gauge. This pressure can be adjusted by rotating the pressure regulator knob.

TANK PRESSURE GAUGE

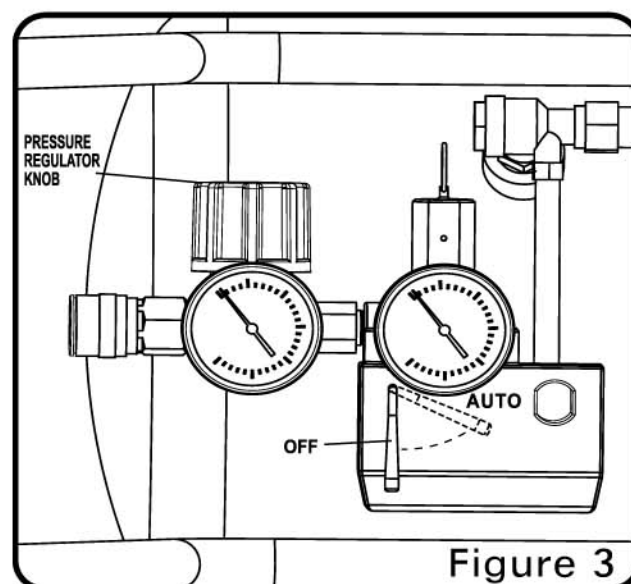
The tank pressure gauge indicates the pressure of the air in the tank.

ASSEMBLY

ATTACHING HOSE

See Figure 3.

- Make sure the air compressor is off and unplugged.
- Rotate pressure regulator knob fully counterclockwise.
- Insert hose adapter end of air hose into female coupler end in air compressor.



OPERATION

UNPACKING

- Carefully remove the air compressor and accessories from the box. Make sure that all items listed in the packing list are included.
- Inspect the air compressor and accessories carefully to make sure no breakage or damage occurred during shipping.
- Do not discard the packing material until you have carefully inspected and satisfactorily operated the product.
- If any parts are damaged or missing, please call 1-877-636-0533 for assistance.



WARNING

If any parts are damaged or missing, do not operate this product until the parts are replaced. Failure to heed this warning could result in serious personal injury.



WARNING

Always wear safety goggles or safety glasses with side shields when operating power tools. Failure to do so could result in objects being thrown into your eyes resulting in possible serious injury.



WARNING

Do not attempt to modify this product or create accessories not recommended for use with this product. Any such alteration or modification is misuse and could result in a hazardous condition leading to possible serious personal injury.



WARNING

Do not use any attachments or accessories not recommended by the manufacturer of this product. The use of attachments or accessories not recommended can result in serious personal injury.



WARNING

Do not attach air chuck or other tool to the open end of the hose until start-up has been completed.



CAUTION

Do not use in an environment that is dusty or otherwise contaminated. Using the air compressor in this type of environment may cause damage to the unit.



WARNING

Do not allow familiarity with products to make you careless. Remember that a careless fraction of a second is sufficient to inflict serious injury.

OPERATION

APPLICATIONS

Air compressors are utilized in a variety of air system applications. Match hoses, connectors, air tools, and accessories to the capabilities of the air compressor.

You may use this tool for the purposes listed below:

- Operating some light duty air powered tools, requiring up to 4.0 SCFM.
- Inflating tires, air beds, sports equipment, etc.

LUBRICATION

CAUTION THIS UNIT IS SHIPPED WITHOUT OIL IN THE PUMP!

Follow lubrication instructions before operating compressor

Add oil to the pump using the oil bottle supplied with the compressor. The compressor pump holds approximately 380ml (12.8ozs.) of oil. The sight glass, located on the crankcase portion of the pump, is used to maintain proper oil level. The "max" oil level is when the oil is in the center of the dot in the middle of the sight glass. "Min" oil level is at the bottom of the dot in the center of the sight glass. See Figure 4. Avoid overfilling by adding oil gradually and checking the oil level with the sight glass several times. Add enough oil to reach the "max" level on the sight glass. Proper oil level is illustrated in Figure 4.

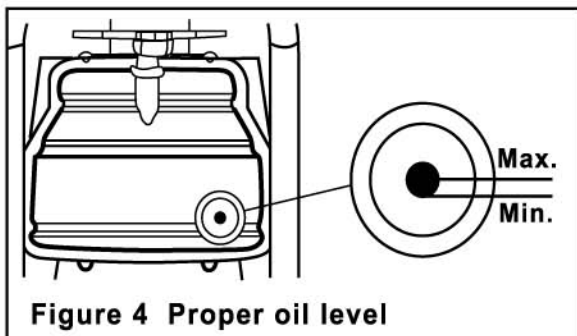


Figure 4 Proper oil level

TURNING THE AIR COMPRESSOR ON/OFF

See Figure 5.

- Turn the power switch to the **AUTOMATIC** position to power the compressor on.
- To turn the air compressor off, turn the power switch to the **OFF** position.

BEFORE FIRST START-UP BREAK-IN PROCEDURE

(Complete this procedure before using compressor for the first time. Upon completion, it is not necessary to repeat)

1. Turn regulator knob fully clockwise (to the right) to open air flow.
2. Turn on/off switch to OFF position.

3. Plug in power cord.
4. Turn on/off switch to **AUTO** position and run compressor for 15 minutes.
5. Turn on/off switch to **OFF** position.
6. Unplug power cord.

The compressor is now ready for use.

USING THE AIR COMPRESSOR

See Figures 5-6.

- Ensure power switch is in the **OFF** position and air compressor is unplugged.
- If not already installed, attach hose to compressor as previously instructed.
- Attach 1/4 in. NPT male connector fitting of tool and into female couple end of air hose.

WARNING

Always ensure the switch is in the **OFF** position and the regulator pressure gauge reads zero before changing air tools or disconnecting the hose from the air outlet. Failure to do so could result in possible serious personal injury.

- Rotate regulator knob clockwise to open air flow.
- Connect the power cord to the power supply.
- Turn the switch **AUTOMATIC**.
- Rotate pressure regulator knob to desired line pressure. Turning the knob clockwise increases air pressure at the outlet; turning counterclockwise reduces air pressure at the outlet.
- Following all safety precautions in this manual and the manufacturer's instructions in the air tool manual, you may now proceed to use your air powered tool.

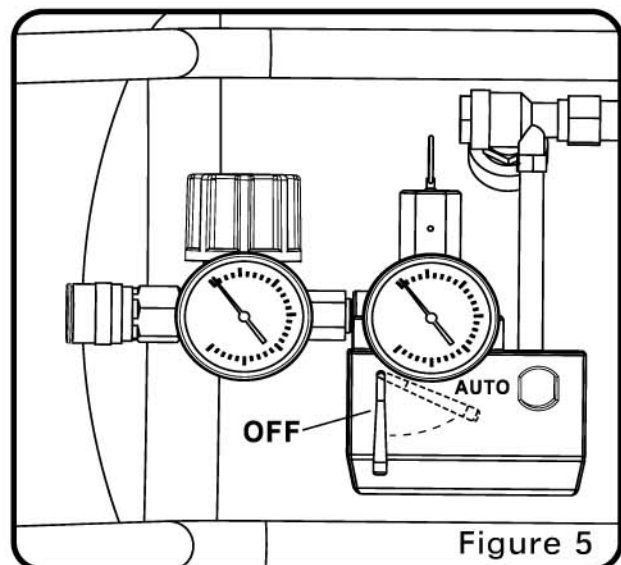
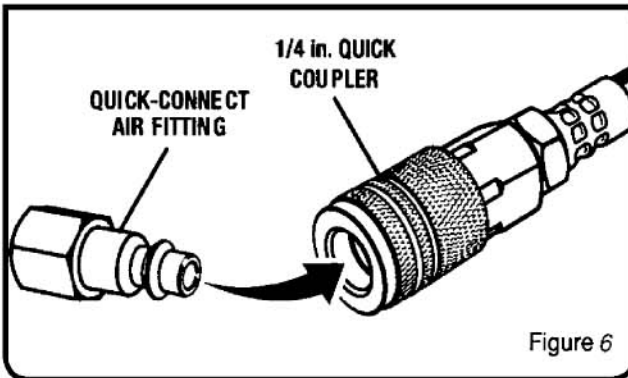


Figure 5

OPERATION



WARNING

Your tool may require more air consumption than this air compressor is capable of providing. Check the tool manual to avoid damage to the tool or risk of personal injury.

- If using an inflation accessory, control the amount of air flow with the pressure regulator knob. Turning the knob fully counterclockwise will completely stop the flow of air.

NOTE: Always use the minimum amount of pressure necessary for your application. Using a higher pressure than needed will drain air from the tank more rapidly and cause the unit to cycle on more frequently.

- When finished, always drain the tank and unplug the unit. Never leave the unit plugged in and/or running unattended.

WARNING

Always disconnect the air supply and power supply before making adjustments, servicing a tool, or when a tool is not in use.

DRAINING THE TANK

See Figure 7.

To help prevent tank corrosion and keep moisture out of the air used, the tank of the compressor should be drained daily.

To drain:

- Turn the air compressor off.
- Pull the ring on the pressure relief valve to release until pressure gauge reads less than 20 psi.
- Release the ring.
- Rotate drain valve at counterclockwise to open.
- Drain moisture from tank into a suitable container.
NOTE: Condensate is a polluting material and should be disposed of in compliance with local regulations.
- If drain valve is clogged, release all air pressure, remove and clean valve, then reinstall.

WARNING

Unplug the air compressor and release all air from the tank before servicing. Failure to depressurize tank before attempting to remove valve may cause serious personal injury.

- Rotate drain valve clockwise until tightly closed.

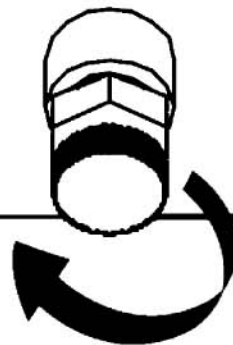


Figure 7

OPERATION

CHECKING THE SAFETY VALVE

See Figure 8-9.

! DANGER

Do not attempt to tamper with the safety valve. Anything loosened from this device could fly up and hit you. Failure to heed this warning could result in death or serious personal injury.

The safety valve will automatically release air if the air receiver pressure exceeds the preset maximum. The valve should be checked before each day of use by pulling the ring by hand.

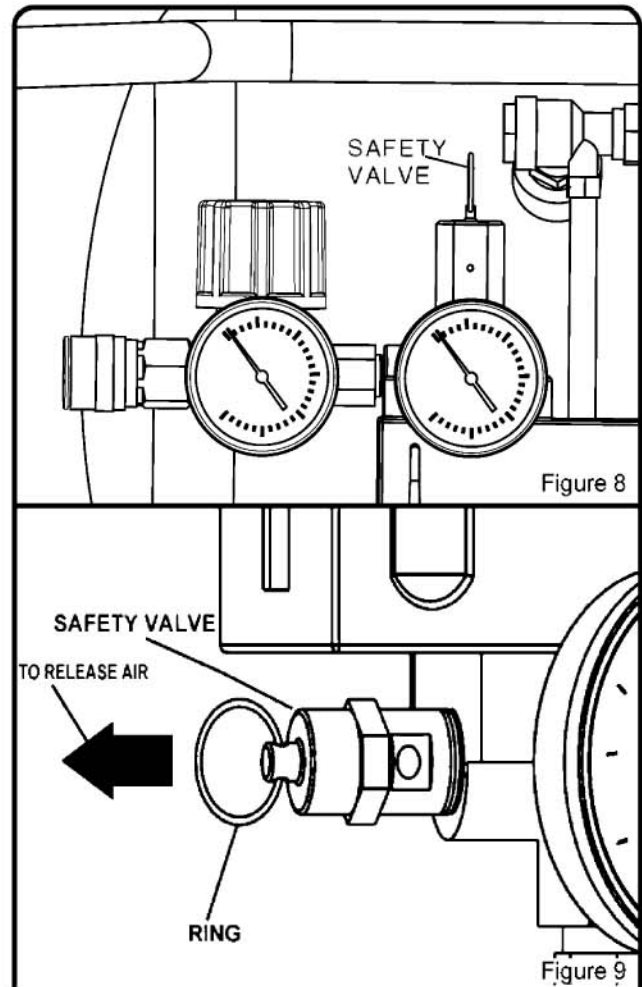
- Turn the air compressor on and allow the tank to fill. The compressor will shut off when the pressure reaches the preset maximum.
- Turn the air compressor off.
- Pull the ring on the safety relief valve to release air for three to five seconds.
- Release the ring. Air must immediately stop escaping when the ring is released. Any continued loss of air after releasing the ring indicates a problem with the safety valve. Discontinue use and seek service before continued use of the air compressor.

! WARNING

If air leaks after the ring has been released, or if the valve is stuck and cannot be actuated by the ring, do not use the air compressor until the pressure relief valve has been replaced. Use of the air compressor in this condition could result in serious personal injury.

OVERLOAD PROTECTOR

This air compressor is equipped with a thermal overload device which will turn the air compressor off automatically, if the air compressor becomes overheated. If the motor turns OFF repeatedly, check for the following possible causes first: Low Voltage from the outlet. Lack of proper ventilation or outside air or room temperature too high. Extension cord too long or wrong gauge wire used. (See table on page 8.)



To reset the air compressor:

- Turn the air compressor off.
- Unplug the air compressor, and allow it to cool for 30 minutes
- Plug the air compressor into an approved outlet.
- Turn the air compressor on.

MAINTENANCE



WARNING

When servicing, use only identical Husky replacement parts. Use of any other parts may create a hazard or cause product damage.



WARNING

Always wear safety goggles or safety glasses with side shields during power tool operation or when blowing dust. If operation is dusty, also wear a dust mask.



WARNING

Always release all pressure, disconnect from power supply, and allow unit to cool to the touch before cleaning or making repairs on the air compressor.

GENERAL MAINTENANCE

Humidity in the air causes condensate to form in the air tank. This condensate should be drained daily and/or every hour, using the instructions found in **Draining the Tank**.

The safety valve automatically releases air if the air receiver pressure exceeds the preset maximum. Check the safety valve before each use following the instructions found in **Checking the Safety Valve**.

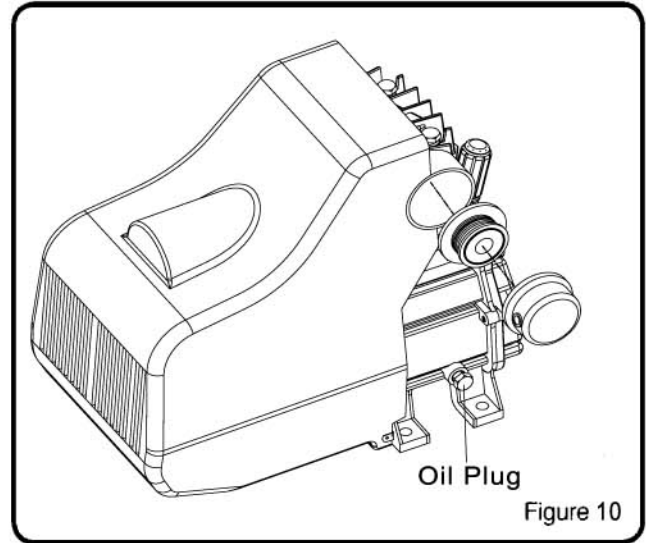
Inspect the tank yearly for rust, pin holes, or other imperfections that could cause it to become unsafe.

Avoid using solvents when cleaning plastic parts. Most plastics are susceptible to damage from various types of commercial solvents and may be damaged by their use. Use clean cloths to remove dirt, dust, oil, grease, etc.



WARNING

Do not at any time let brake fluids, gasoline, petroleum-based products, penetrating oils, etc., come in contact with plastic parts. Chemicals can damage, weaken or destroy plastic which may result in serious personal injury. Electric tools used on fiberglass material, wallboard, spackling compounds, or plaster are subject to accelerated wear and possible premature failure because the fiberglass chips and grindings are highly abrasive to bearings, brushes, commutators, etc. Consequently, we do not recommend using this tool for extended work on these types of materials. However, if you do work with any of these materials, it is extremely important to clean the tool using compressed air.



OIL CHANGE

1. Allow compressor to run and warm up oil. Unplug unit.
2. Position a pan under pump end of unit.
3. Remove oil plug (see Figure 10). Allow oil to collect in pan. Tilt unit to completely drain.
4. Replace oil, fill oil to full line on sight glass. Use Chevron synthetic SW-30, Mobil 15W-30 or 10W-30 synthetic motor oil. Using other types of oil will cause starting problems.
5. Change oil after every 100 hours of use.

CLEANING THE AIR FILTER

See Figure 10.

From time to time, the air filter needs to be removed and cleaned.

- Turn the air compressor off.
- Unplug the air compressor.
- Turn the air filter cover counterclockwise to remove.
- Remove air filter from air filter housing.
- Blow compressed air through the air filter for 10-15 seconds.
- Reset air filter to housing, replace the air filter to compressor.

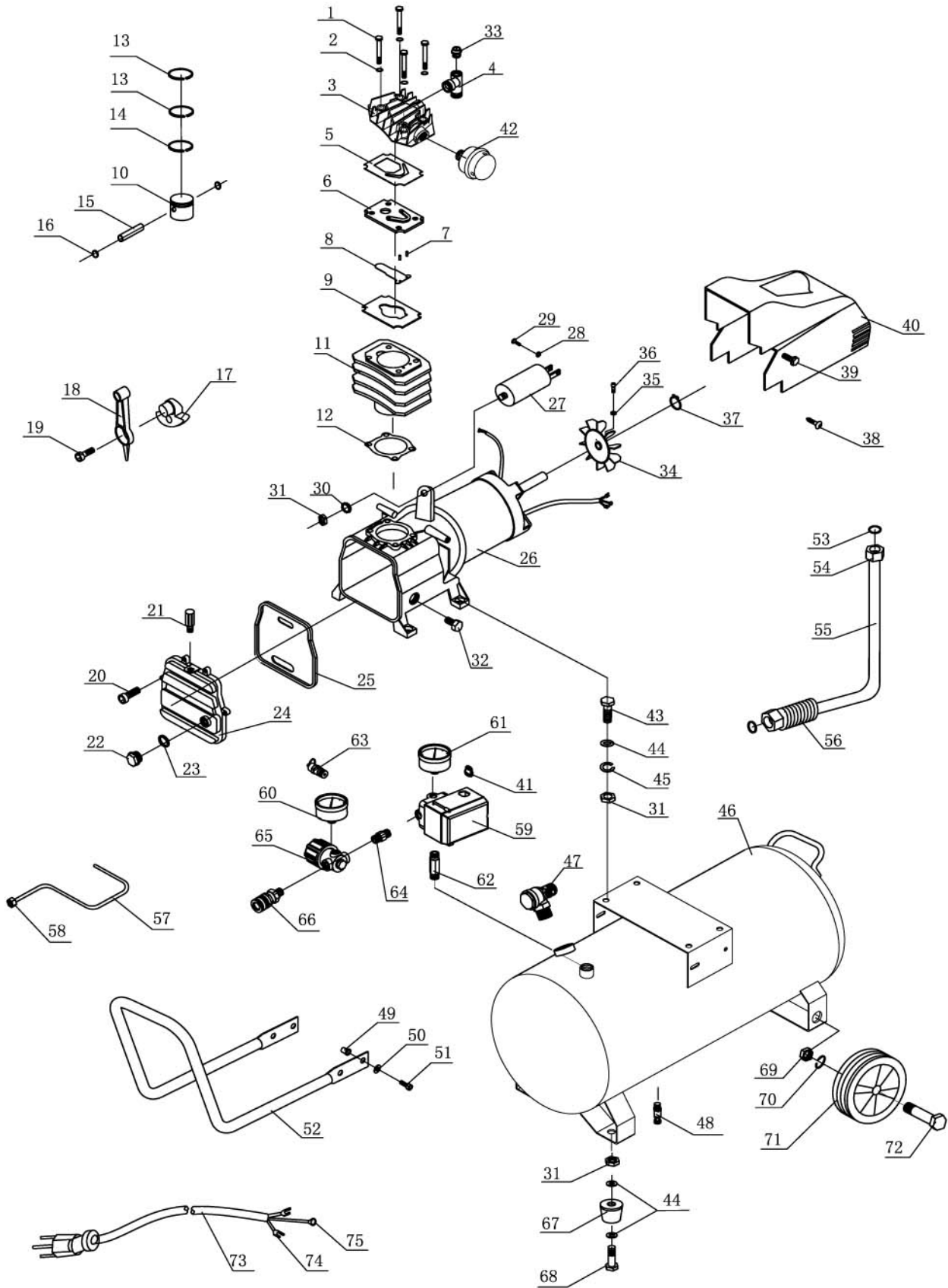
STORAGE

1. Drain tank of moisture.
2. When not in use, store compressor in a cool, dry place.
3. Disconnect hose and hang, open ends down to allow any moisture to drain.
4. Wrap the power cord on handle.

TROUBLESHOOTING

PROBLEM	POSSIBLE CAUSE	SOLUTION
Compressor will not run	Loss of power or overheating No electrical power Blown shop/house fuse Shop/house breaker tripped Pressure switch bad Tank is full of air Overload protector tripped.	Check for proper use of extension cord Check to be sure unit is plugged in Check fuse/breaker or motor overload Reset shop/house breaker, determining why problem happened Take compressor to service center Compressor will turn on when tank pressure drops to cut-in See overload protector section at page 15
Motor hums but cannot run or runs slowly	Low voltage Wrong gauge wire or length of extension cord Shorted or open motor winding Defective check valve or unloader	Call an electrician or check with meter Check for proper gauge wire and cord length Take compressor to service center Take compressor to service center
Fuses blow/circuit breaker trips repeatedly	Incorrect size fuse, circuit overload Wrong gauge wire or length of extension cord Defective check valve or unloader	Check for proper fuse, use time-delay fuse, disconnect other electrical appliances from circuit or operate compressor on its own branch circuit Check for proper gauge wire and cord length Take compressor to service center
Push Button Overload protector cuts out repeatedly	Low voltage Lack of proper ventilation/room temperature too high Wrong gauge wire or length of extension cord	Call an electrician or check with meter Move compressor to well-ventilated area Check for proper gauge wire and cord length
Air receiver pressure drops when compressor shuts off	Loose connections (fittings, tubing, etc.) Loose drain valve Check valve leaking	Check all connections with soap and water solution and tighten Tighten drain valve Take compressor to service center
Excessive moisture in discharge air	Excessive water in air tank High humidity	Drain tank Move to area of less humidity; use air line filter
Compressor runs continuously	Defective pressure switch Excessive air usage	Take compressor to service center Decrease air usage; compressor not large enough for tool's requirement
Compressor vibrates	Loose mounting bolts	Tighten mounting bolts
Air output lower than normal	Broken inlet valves Connections leaking	Take compressor to service center Tighten connections

EXPLODED VIEW - Model #TA-2530B



PARTS LIST - Model #TA-2530B

Item Number	Kit Number	Part Number	Part Description	QTY.	Item Number	Kit Number	Part Number	Part Description	QTY.
1			Head Bolt, M8x105	4	39			Screw, with washer, M5x12	2
2			Washer, Lock 8	4	40		06.064	Shroud	1
3		03.100	Cylinder Head	1	41			Strain Relief 6W-3	2
4		40.033	Fitting, Tee	1	42		41.005	Air filter	1
5	C	35.035A	Gasket, Head	1	43			Bolt, Hex head, M8x30	4
6	B	11.004	Valve, Assy.	1	44	K		Washer, Flat, 8	12
7	B		Pin, Dia. 3x6mm	2	45			Washer, Lock, 8	4
8	B	34.001B	Valve, Reed, inlet	1	46			Tank, 8Gal	1
9	C	35.035B	Gasket, Cylinder upper	1	47		38.001A	Check Valve,	1
10	A	28.003	Piston	1	48		39.002	Drain Valve, 1/4"NPT	1
11		10.004	Cylinder	1	49	E		Nut, riveting, M6	4
12	C		Gasket, Cylinder lower	1	50			Washer, flat, 6	4
13	A	29.021	Ring, Compression	2	51			Screw, SHCH, M6x20	4
14	A	29.021	Ring, Scraper	1	52	E	08.108B	Handle	1
15	A	30.003	Pin. Piston Dia. 12mm	1	53	F	46.029A	Washer, flat, copper, 10	2
16	A		Ring, Snap, 12mm	2	54	F	44.003	Nut, Hex, Compression, G3/8	2
17	A	12.004	Eccentric	1	55	F	43.017B	Tube, outlet, OD10mm	1
18	A	3.032	Rod, Connecting	1	56	F		fin, ID 10mm	1
19	A		Bolt, SHCS, M8x22-LH	1	57	G	43.017F	Tube, relief, OD 6mm	1
20			Bolt, SHCS, M5x0.8x15	6	58	G	44.001	Nut, Hex, compression, G1/8	1
21		26.002B	Oil fill Cap M16x1.5	1	59		21.011A	Switch, pressure, 95-125Psi	1
22	D	33.002	Oil sight gauge	1	60			Pressure Gage, 200Psi, 1/8"NPT	1
23	D		Seal, oil sight gage	1	61			Pressure Gage, 200Psi, 1/4"NPT	1
24		03.101B	Cover, Crankcase	1	62			Nipper, 1/4"NPTx48mm	1
25		36.015	Baffle, rubber	1	63			Valve, safety, 140Psi, ASME, 1/4"NPT	1
26			Motor, Assy.	1	64			Nipper, 1/4"NPTx30mm	1
27			Capacitor, Running, 120 µ F	1	65		25.020	Ruglater, 1/8"NPTx1/4"NPTx1/4"NPT	1
28			Washer, Lock 3	2	66		22.005C	Quick Connect, One-Touch, 1/4"NPT	1
29			Screw, M3x6	2	67	K	15.014	Isolator, Rubber	2
30			Washer, tooth lock, 8	1	68	K		Bolt, Hex head, M8x20	2
31	K		Nut, M8x1.25	7	69	H		Nut, Hex head, M10	2
32			Plug, oil, M12x16	1	70	H		Washer, Lock, 10	2
33		40.018B	Valve, relief	1	71	H	46.041	Wheel, 6"	2
34		03.109	Fan, AL alloy	1	72	H	46.043	Shoulder Bolt, OD15.5x36.5xM10	2
35			Nut, M6	1	73	I	22.064	Cord, Power, SJT14/3	1
36			Bolt, SHCS, M6x16	1	74	I		Terminal, Y type, 1.5-4U	2
37			Ring. Snap. 14mm	1	75	I		Terminal, O type, 1.5-40	1
38			Screw, ST4. 2x12	2					

* Items with an asterisk in the part number field are only available as part of a kit.
 Items without a part number or kit letter are not available.

NOTES

WARRANTY

LIMITED WARRANTY STATEMENT

Zhejiang Hongyou Air Compressor Manufacturing Co., LTD (HONGYOU). warrants to the original retail purchaser that this Zhejiang Hongyou Air Compressor Manufacturing Co., LTD (HONGYOU). product is free from defect in material and workmanship and agrees to repair or replace, at Zhejiang Hongyou Air Compressor Manufacturing Co.,LTD (HONGYOU).’s discretion, any defective product free of charge within these time periods from the date of purchase.

- One year if the product is used for personal, family or household use;
- 90 days, if used for any other purpose, such as commercial or rental.

This warranty extends to the original retail purchaser only and commences on the date of the original retail purchase.

Any part of the Zhejiang Hongyou Air Compressor Manufacturing Co., LTD (HONGYOU). product manufactured or supplied by Zhejiang Hongyou Air Compressor Manufacturing Co., LTD. and found in the reasonable judgment of Zhejiang Hongyou Air Compressor Manufacturing Co., LTD (HONGYOU). to be defective in material or workmanship will be repaired or replaced by an authorized Zhejiang Hongyou Air Compressor Manufacturing Co., LTD (HONGYOU). service dealer without charge for parts and labor.

The product, including any defective part, must be returned to an authorized service dealer within the warranty period. The expense of delivering the Zhejiang Hongyou Air Compressor Manufacturing Co., LTD (HONGYOU). product to the dealer for warranty work and the expense of returning it back to the owner after repair or replacement will be paid by the owner. Zhejiang Hongyou Air Compressor Manufacturing Co., LTD (HONGYOU).’s responsibility in respect to claims is limited to making the required repairs or replacements and no claim of breach of warranty shall be cause for cancellation or rescission of the contract of sale of any Zhejiang Hongyou Air Compressor Manufacturing Co., LTD (HONGYOU). product. Proof of purchase will be required by the dealer to substantiate any warranty claim. All warranty work must be performed by an authorized Zhejiang Hongyou Air Compressor Manufacturing Co., LTD (HONGYOU). service dealer.

This warranty is limited to ninety (90) days from the date of original retail purchase for any Zhejiang Hongyou Air Compressor Manufacturing Co., LTD (HONGYOU). product that is used for rental or commercial purposes, or any other income-producing purpose.

This warranty does not cover any Zhejiang Hongyou Air Compressor Manufacturing Co., LTD (HONGYOU). product that has been subject to misuse, neglect, negligence, or accident, or that has been operated in any way contrary to the operating instructions as specified in this operator’s manual. This warranty does not apply to any damage to the Zhejiang Hongyou Air Compressor Manufacturing Co., LTD (HONGYOU). product that is the result of improper maintenance or to any Zhejiang Hongyou Air Compressor Manufacturing Co., LTD (HONGYOU). product that has been altered or modified. The warranty does not extend to repairs made necessary by normal wear or by the use of parts or accessories which are either **INCOMPATIBLE WITH THE ZHEJIANG HONGYOU AIR COMPRESSOR MANUFACTURING CO., LTD (HONGYOU).** product or adversely affect its operation, performance, or durability.

Zhejiang Hongyou Air Compressor Manufacturing Co., LTD (HONGYOU). reserves the right to change or improve the design of any Zhejiang Hongyou Air Compressor Manufacturing Co., LTD (HONGYOU) product without assuming any obligation to modify any product previously manufactured.

ALL IMPLIED WARRANTIES ARE LIMITED IN DURATION TO THE STATED WARRANTY PERIOD. ACCORDINGLY, ANY SUCH IMPLIED WARRANTIES INCLUDING MERCHANTABILITY, FITNESS FOR A PARTICULAR PURPOSE, OR OTHERWISE, ARE DISCLAIMED IN THEIR ENTIRETY AFTER THE EXPIRATION OF THE APPROPRIATE TWO-YEAR, ONE-YEAR, OR NINETY DAY WARRANTY PERIOD. Zhejiang Hongyou Air Compressor Manufacturing Co., LTD (HONGYOU).’s OBLIGATION UNDER THIS WARRANTY IS STRICTLY AND EXCLUSIVELY LIMITED TO THE REPAIR OR REPLACEMENT OF DEFECTIVE PARTS AND Zhejiang Hongyou Air Compressor Manufacturing Co., LTD (HONGYOU). DOES NOT ASSUME OR AUTHORIZE ANYONE TO ASSUME FOR THEM ANY OTHER OBLIGATION. SOME STATES DO NOT ALLOW LIMITATIONS ON HOW LONG AN IMPLIED WARRANTY LASTS, SO THE ABOVE LIMITATION MAY NOT APPLY TO YOU. Zhejiang Hongyou Air Compressor Manufacturing Co., LTD (HONGYOU). ASSUMES NO RESPONSIBILITY FOR INCIDENTAL, CONSEQUENTIAL, OR OTHER DAMAGES INCLUDING, BUT NOT LIMITED TO, EXPENSE OF RETURNING THE Zhejiang Hongyou Air Compressor Manufacturing Co., LTD (HONGYOU). PRODUCT TO AN AUTHORIZED SERVICE DEALER AND EXPENSE OF DELIVERING IT BACK TO THE OWNER, MECHANIC’S TRAVEL TIME, TELEPHONE OR TELEGRAM CHARGES, RENTAL OF A LIKE PRODUCT DURING THE TIME WARRANTY SERVICE IS BEING PERFORMED, TRAVEL, LOSS OR DAMAGE TO PERSONAL PROPERTY, LOSS OF REVENUE, LOSS OF USE OF THE PRODUCT, LOSS OF TIME, OR INCONVENIENCE. SOME STATES DO NOT ALLOW THE EXCLUSION OR LIMITATION OF INCIDENTAL OR CONSEQUENTIAL DAMAGES, SO THE ABOVE LIMITATION OR EXCLUSION MAY NOT APPLY TO YOU.

This warranty gives you specific legal rights, and you may also have other rights which vary from state to state.

This warranty applies to all Zhejiang Hongyou Air Compressor Manufacturing Co., LTD (HONGYOU). products manufactured or supplied by Zhejiang Hongyou Air Compressor Manufacturing Co., LTD (HONGYOU). and sold in the United States and Canada.

To locate your nearest service dealer, dial 1-877-636-0533.



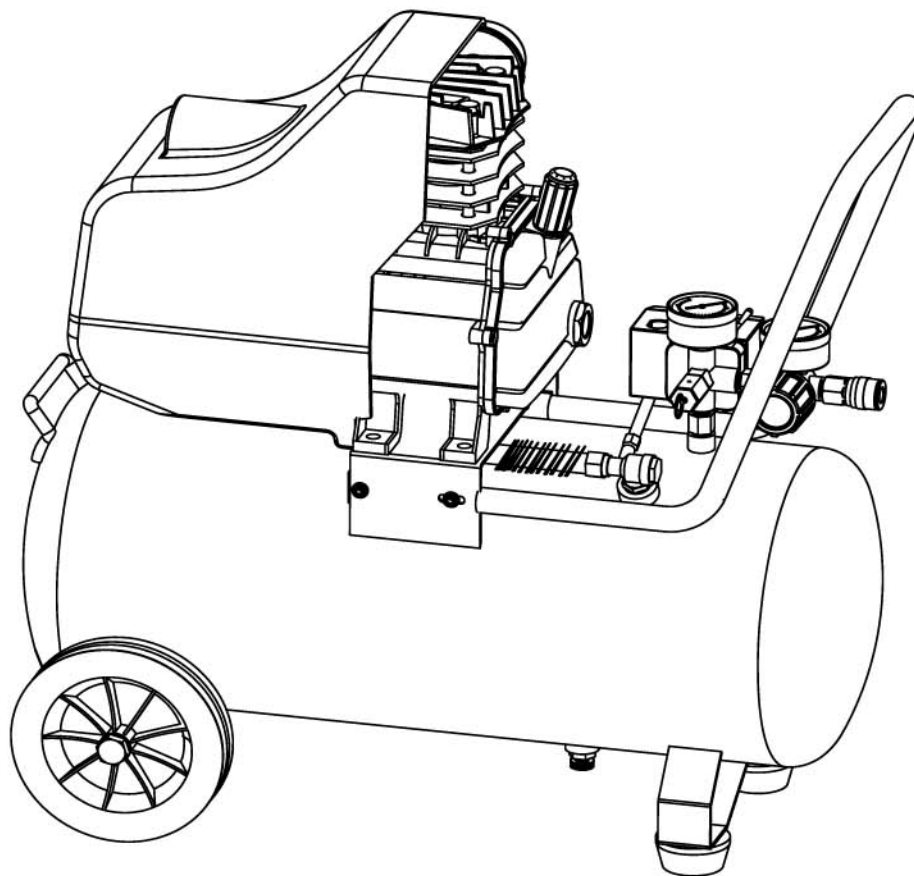
MANUAL DEL OPERADOR

Compresor de aire portatátil

de 30,3 LITROS

(8 galones)

TA-2530B



Su compresor de aire ha sido diseñado y fabricado de conformidad con las estrictas normas de Husky para brindar fiabilidad, facilidad de uso y seguridad para el operador. Con el debido cuidado, le brindará muchos años de sólido y eficiente funcionamiento.



ADVERTENCIA: Para reducir el riesgo de lesiones, el usuario debe leer y comprender el manual del operador antes de usar este producto.

Le agradecemos la compra de un producto Husky.

GUARDE ESTE MANUAL PARA FUTURAS CONSULTAS

Rev.10/21/2010

ÍNDICE DE CONTENIDO

■ Reglas de seguridad generales	23-24
■ Reglas de seguridad específicas	24-25
■ Símbolos	26-27
■ Aspectos eléctricos	28
■ Glosario de términos	29
■ Características	30-31
■ Armado	31
■ Funcionamiento	32-35
■ Mantenimiento	36
■ Solución de problemas	37
■ Diagrama de los componentes	38
■ Lista de las piezas	39
■ Garantía	40

INTRODUCCIÓN

Productos únicamente para uso doméstico. No está diseñado para uso comercial.

PELIGRO

Este compresor (o bomba) no está equipado y debe evitarse utilizarlo para suministrar aire para respirar. Es necesario equipo adicional para filtrar y purificar debidamente el aire a fin de que cumpla las especificaciones mínimas de Grado D para respiración, según se explica en la Especificación de Productos G 7.1 - 1966 de la Asociación de Proveedores de Equipo de Gas Comprimido (Compressed Gas Association), OSHA 29 CFR 1910.134. Compressed Gas Association, 422221 Walney Road, Fifth Floor, Chantilly, VA 20151-2923, (703) 788-2700, www.cganet.com. Tal equipo adicional no ha sido examinado y no debe suponerse o deducirse ninguna conclusión con respecto al correcto uso del aire de respiración.

Si se altera de cualquier forma este compresor, quedan anuladas todas las garantías presentes. Husky y Zhejiang Hongyou Air Comperssor Manufacturing Co.,LTD(HONGYOU) se eximen de toda responsabilidad de cualquier tipo por cualquier pérdida, lesión corporal o daño material.

REGLAS DE SEGURIDAD GENERALES



ADVERTENCIA

Lea y comprenda todas las instrucciones. El incumplimiento de las instrucciones señaladas abajo puede causar descargas eléctricas, incendios y lesiones serias.

GUARDE ESTAS INSTRUCCIONES

ÁREA DE TRABAJO

- **Mantenga limpia y bien iluminada el área de trabajo.** Una mesa de trabajo mal despejada y una mala iluminación son causas comunes de accidentes. El piso debe no estar resbaloso debido a la presencia de cera o polvo.
- **No utilice herramientas motorizadas en atmósferas explosivas, como las existentes alrededor de líquidos, gases y polvos inflamables.** Las herramientas eléctricas generan chispas que pueden encender el polvo y los vapores inflamables.
- **Mantenga alejados a los circunstantes, niños y demás presentes al utilizar herramientas.** Toda distracción puede causar la pérdida del control de la herramienta.
- **Utilice el compresor de aire en un área abierta por lo menos a 46 cm (18 pulg.) de cualquier pared u objeto que pudiera restringir el flujo de aire fresco a las aberturas de ventilación.**

SEGURIDAD ELÉCTRICA

- **Evite el contacto del cuerpo con las superficies de objetos conectados a tierra, como las tuberías, radiadores, estufas y refrigeradores.** Existe un mayor riesgo de descargas eléctricas si el cuerpo está en contacto con tierra.
- **No exponga las herramientas eléctricas a la lluvia ni a condiciones de humedad.** La introducción de agua en una herramienta eléctrica aumenta el riesgo de descargas eléctricas.
- **No maltrate el cordón eléctrico. Nunca use el cordón eléctrico para portar la herramienta ni para sacar la clavija de una toma de corriente. Mantenga el cordón lejos del calor, aceite, bordes afilados y piezas móviles. Cambie de inmediato todo cordón eléctrico dañado.** Los cordones eléctricos dañados aumentan el riesgo de descargas eléctricas.
- **Al utilizar una herramienta eléctrica en el exterior, utilice un cordón eléctrico de extensión que lleve las marcas "W-A" o "W".** Estos cordones eléctricos están aprobados para el uso en el exterior y reducen el riesgo de descargas eléctricas.

SEGURIDAD PERSONAL

- **Al cargar, utilizar y dar servicio a esta herramienta, el operador y demás personas SIEMPRE deben llevar puesta protección ocular que cumpla con las especificaciones ANSI y ofrezca protección contra partículas que salgan disparadas del FRENTE y de los LADOS.** Se requiere protección ocular como protección contra sujetadores y desechos que salgan disparados, los cuales pueden causar lesiones oculares serias.
- **Tanto el patrón como el operador deben asegurarse de que se use protección ocular adecuada.** Recomendamos una careta protectora de visión amplia encima de los anteojos normales o de los anteojos de seguridad que ofrecen protección frontal y lateral contra partículas que salen disparadas. Siempre póngase protección ocular con la marca de cumplimiento de la norma ANSI Z87.1.
- **En algunos entornos se requiere protección adicional.** Por ejemplo, en el área de trabajo puede haber exposición a un nivel de ruido que puede dañar el oído. El patrón y el operador deben asegurarse de contar con toda la protección auditiva necesaria y de que sea usada por el operador mismo y demás personas presentes en el área de trabajo. En algunos entornos se requiere el uso de equipo de protección para la cabeza. Cuando se requiera, el patrón y el operador deben asegurarse de que la protección usada para la cabeza lleve la marca de cumplimiento con la norma ANSI Z89.1.
- **Permanezca alerta, preste atención a lo que esté haciendo, y aplique el sentido común al utilizar herramientas eléctricas. No utilice la herramienta si está cansado o se encuentra bajo los efectos de alguna droga, alcohol o medicamento.** Un momento de inatención al utilizar una herramienta eléctrica puede causar lesiones corporales serias.
- **Vístase adecuadamente. No vista ropas holgadas ni joyas. Recójase el cabello si está largo. Mantenga el cabello, la ropa y los guantes alejados de las piezas móviles.** Las ropas holgadas, las joyas y el cabello largo pueden engancharse en las piezas móviles.
- **No estire el cuerpo para alcanzar mayor distancia. Mantenga una postura firme y buen equilibrio en todo momento.** La postura firme y el buen equilibrio permiten un mejor control de la herramienta en situaciones inesperadas.
- **Use equipo de seguridad. Siempre póngase protección ocular.** Cuando lo exijan las circunstancias debe ponerse careta contra el polvo, zapatos de seguridad antiderrapantes, casco o protección auditiva.
- **No utilice la unidad al estar en una escalera o en un soporte inestable.** Una postura estable sobre una superficie sólida permite un mejor control de la herramienta en situaciones inesperadas.

REGLAS DE SEGURIDAD GENERALES

EMPLEO Y CUIDADO DE LA HERRAMIENTA

- **No sobrepase la presión nominal de ningún componente del sistema.**
- **Proteja de daños y perforaciones los conductos de material y de aire.** Mantenga la manguera y el cordón de corriente lejos de objetos afilados, productos químicos derramados, aceite, solventes y pisos mojados.
- **Antes de usar la unidad revise las mangueras para ver muestran daños o desgaste, asegurándose de que estén seguras todas las conexiones.** No utilice la unidad si encuentra algún defecto. Adquiera una manguera nueva o lleve la unidad a un centro de servicio autorizado para que la examinen y reparen.
- **Purgue lentamente todas las presiones internas del sistema.** El polvo y la basura pueden ser dañinos.
- **Guarde las herramientas que no estén en uso fuera del alcance de los niños y de toda persona no capacitada en el uso de las mismas.** Las herramientas son peligrosas en manos de personas no capacitadas en el uso de las mismas.
- **Dé mantenimiento con cuidado a las herramientas.** Siga todas las instrucciones de mantenimiento. Las herramientas que han recibido el debido mantenimiento se controlan con mayor facilidad.
- **Revise para ver si hay desalineación o atoramiento de piezas móviles, ruptura de piezas o toda otra condición que pueda afectar el funcionamiento de la herramienta.** Si se daña la herramienta, llévela a servicio antes de

volver a utilizarla. Numerosos accidentes son causados por herramientas mal cuidadas.

- **Nunca apunte ninguna herramienta hacia sí u otras personas.**
- **Mantenga el exterior del compresor de aire seco, limpio y libre de aceite y grasa.** Siempre utilice un paño limpio para la limpieza de la unidad. Nunca utilice fluidos para frenos, gasolina, productos a base de petróleo ni solventes fuertes para limpiar la unidad. Con el cumplimiento de esta regla se reduce el riesgo de deterioro del alojamiento de plástico de la unidad.

SERVICIO

- **El servicio de la herramienta sólo debe ser efectuado por personal de reparación calificado.** Todo servicio o mantenimiento efectuado por personal no calificado puede significar un riesgo de lesiones.
- **Desconecte el suministro de corriente, abra la válvula de drenaje para purgar la presión del tanque y permitir que se drene el agua, y por último permita que se enfríe el compresor antes de darle servicio.** Gire la completamente a la izquierda la perilla de regulación de la presión antes de apagar el compresor.
- **Al dar servicio a una herramienta, sólo utilice piezas de repuesto idénticas.** Siga las instrucciones señaladas en la sección "Mantenimiento" de este manual. El empleo de piezas no autorizadas o el incumplimiento de las instrucciones de mantenimiento puede significar un riesgo de lesiones.

REGLAS DE SEGURIDAD ESPECÍFICAS












- **Familiarícese con su herramienta eléctrica.** Lea cuidadosamente el manual del operador. Aprenda sus usos y limitaciones, así como los posibles peligros específicos de esta herramienta. Con el cumplimiento de esta regla se reduce el riesgo de una descarga eléctrica, incendio o lesión seria.
- **Después del uso de cada día, drene toda la humedad del tanque.** Si no va a utilizarse la unidad durante algún tiempo, es mejor dejar abierta la válvula de drenaje hasta cuando vuelva a usarse aquélla. De esta manera se permite drenar completamente la humedad y se impide la corrosión del interior del tanque.
- **Riesgo de incendio o explosión.** Sólo rocíe líquidos inflamables tales como pinturas o lacas. Nunca rocíe líquidos inflamables en un área limitada. El área de rociado debe estar bien ventilada. No fume mientras esté rociando con pistola, ni rocíe donde haya presentes chispas o flamas. Mantenga los compresores tan lejos del área de pintura y de vapores explosivos como sea posible, por lo menos a 4,6 m (15 pies).
- **Riesgo de estallido.** No ajuste el regulador para producir una presión de salida superior a la presión máxima marcada en el aditamento. No use una presión superior a 861,8 kPa (125 psi).
- **Si va a conectar este producto a un circuito protegido con fusibles,** utilice fusibles con retardo de tiempo.
- **Para reducir el riesgo de una descarga eléctrica** no exponga la unidad a la lluvia. Guarde la unidad en el interior.
- **Inspeccione anualmente el tanque para ver si tiene herrumbre, picaduras u otras imperfecciones que pudieran afectar la seguridad de la unidad.** Nunca suelle el tanque de aire ni perfore agujeros en el mismo.
- **Asegúrese de que la manguera no esté obstruida ni enganchada.** Si la manguera se enreda o engancha puede causar una pérdida del equilibrio o postura y puede dañarse.

REGLAS DE SEGURIDAD ESPECÍFICAS

- **Solamente utilice el compresor de aire para el propósito especificado. No altere ni modifique la unidad con respecto a su diseño y funcionamiento originales.**
- **Siempre tenga presente que el uso y manejo indebidos de esta herramienta puede causarle lesiones a usted y a otras personas.**
- **Nunca deje desatendida ninguna herramienta con la manguera de aire conectada.**
- **No utilice esta herramienta si no tiene una etiqueta de advertencia.**
- **No continúe usando ninguna herramienta o manguera que tenga fugas de aire o que no funcione correctamente.**
- **Siempre desconecte el suministro de aire y el de corriente antes de efectuar ajustes, dar servicio a la herramienta o cuando no esté usándose ésta.**
- **No intente tirar de la manguera ni acarrear el compresor tomándolo por la misma.**
- **Una herramienta determinada puede necesitar más aire del que este compresor es capaz de suministrar.**
- **Nunca tienda equipaa con herramienta con aire conectado. Almacenar el instrumento con aire conectado puede tener como resultado despedir y herida inesperado personal, grave y posible.**
- **Siempre siga todas las reglas de seguridad recomendadas por el fabricante de la herramienta de aire, además de todas las reglas de seguridad del compresor de aire. Con el cumplimiento de esta regla se reduce el riesgo de lesiones serias.**
- **Nunca dirija un chorro de aire comprimido hacia personas o animales. Tenga cuidado de no soplar polvo o tierra hacia sí u otras personas. Con el cumplimiento de esta regla se reduce el riesgo de posibles lesiones serias.**
- **Protéjase los pulmones. Use una careta o mascarilla contra el polvo si la operación genera mucho polvo. Con el cumplimiento de esta regla se reduce el riesgo de lesiones corporales serias.**
- **No utilice este compresor de aire para rociar productos químicos. Pueden resultar afectados los pulmones debido a la inhalación de emanaciones tóxicas. Puede ser necesario utilizar un respirador en entornos polvorientos o al rociar pintura. No acarree la unidad mientras esté pintando.**
- **Inspeccione periódicamente los cordones eléctricos y las mangueras de las herramientas, y si están dañados, permita que los reparen en el centro de servicio autorizado más cercano de la localidad. Observe constantemente la ubicación del cordón eléctrico. Con el cumplimiento de esta regla se reduce el riesgo de una descarga eléctrica o incendio.**
- **Nunca use un adaptador eléctrico con esta clavija de conexión a tierra.**
- **Revise para ver si hay piezas dañadas. Antes de seguir utilizando el compresor o la herramienta de aire, es necesario inspeccionar cuidadosamente toda protección o pieza dañada para determinar si funcionará correctamente y desempeñará la función a la que está destinada. Verifique la alineación de las partes móviles, que no haya atoramiento de las mismas, que no haya piezas rotas, el montaje de las piezas y cualquier otra condición que pudiera afectar su funcionamiento. Toda protección o pieza que esté dañada debe repararse apropiadamente o reemplazarse en un centro de servicio autorizado. Con el cumplimiento de esta regla se reduce el riesgo de una descarga eléctrica, incendio o lesión grave.**
- **Asegúrese de que esté en buen estado el cordón de extensión. Al utilizar un cordón de extensión, utilice uno del suficiente calibre para soportar la corriente que consume el producto. Se recomienda que los conductores sean de calibre 14 (A.W.G.) por lo menos para un cordón de extensión de 15 metros (50 pies) de largo o menos. No se recomienda utilizar un cordón con más de 30 metros (100 pies) de largo. Si tiene dudas, utilice un cordón del calibre más grueso siguiente. Cuanto menor es el número de calibre, mayor es el grueso del cordón. Un cordón de un calibre insuficiente causa una caída en el voltaje de línea, y produce recalentamiento y pérdida de potencia.**
- **Guarde estas instrucciones. Consúltelas con frecuencia y empléelas para instruir a otras personas que puedan utilizar este compresor de aire. Si presta a alguien esta herramienta, facilítele también las instrucciones.**

SÍMBOLOS

Es posible que se empleen en esta herramienta algunos de los siguientes símbolos. Le suplicamos estudiarlos y aprender su significado. Una correcta interpretación de estos símbolos le permitirá utilizar mejor y de manera más segura la herramienta.

SÍMBOLO	NOMBRE	DENOMINACIÓN/EXPLICACIÓN
V	Volts	Voltaje
A	Amperes	Corriente
Hz	Hertz	Frecuencia (ciclos por segundo)
~	Corriente alterna	Type of current
	Fabricación Clase II	Double-insulated constructon
	Alerta de condiciones húmedas	No exponga la unidad a la lluvia ni la use en lugares húmedos.
	Lea el manual del operador	Para reducir el riesgo de lesiones, el usuario debe leer y comprender el manual del operador antes de usar este producto.
	Protección ocular	Cuando utilice este producto, póngase siempre gafas de seguridad, anteojos protectores con protección lateral, o una careta protectora completa.
	Alerta de seguridad	Precauciones para su seguridad.
	Riesgo de estallido	No ajuste el regulador para producir una presión de salida superior a la presión máxima marcada en el aditamento. No use una presión superior a 861, 8 kPa (125 PSI).
	Riesgo de estallido o explosión	El área de rociado debe estar bien ventilada. No fume mientras esté rociando con pistola, ni rocíe donde haya presentes chispas o flamas. Mantenga los compresores tan lejos del área de pintura y de vapores explosivos como sea posible, por lo menos a 4,6 m (15 pies).
	Riesgo de descarga eléctrica	Voltaje peligroso: Desconecte del suministro de corriente la unidad antes de proporcionarle servicio. El compresor debe conectarse a tierra.
	Superficie caliente	Para reducir el riesgo de lesiones corporales o daños materiales evite tocar toda superficie caliente.
	Riesgo de respiración	El aire obtenido directamente del compresor nunca debe utilizarse para consumo humano.
	Riesgos para el oído	Llevar use protección de oídos cuando utilice la herramienta. De lo contrario, puede provocar pérdida de audición.

SÍMBOLOS

Las siguientes palabras de señalización y sus significados tienen el objeto de explicar los niveles de riesgo relacionados con este producto.

SÍMBOLO	SEÑAL	SIGNIFICADO
	PELIGRO	Indica una situación peligrosa inminente, la cual, si no se evita, causará la muerte o lesiones serias.
	ADVERTENCIA	Indica una situación peligrosa posible, la cual, si no se evita, podría causar la muerte o lesiones serias.
	PRECAUCIÓN	Indica una situación peligrosa posible, la cual, si no se evita, podría causar lesiones menores o leves.
	PRECAUCIÓN	(Sin el símbolo de alerta de seguridad.) Indica una situación que puede producir daños materiales.

SERVICIO

El servicio de la herramienta requiere extremo cuidado y conocimientos técnicos, por lo cual sólo debe ser efectuado por un técnico de servicio calificado. Para dar servicio a la herramienta, le sugerimos llevarla al **CENTRO DE SERVICIO AUTORIZADO** de su preferencia para que la reparen. Al dar servicio a la unidad, sólo utilice piezas de repuesto idénticas.



ADVERTENCIA

Para evitar lesiones corporales serias, no intente utilizar este producto sin haber leído y comprendido totalmente el manual del operador. Guarde este manual del operador y estúdielo frecuentemente para lograr un funcionamiento seguro y continuo de este producto, y para instruir a otras personas quienes pudieran utilizarlo.



ADVERTENCIA



Cualquier herramienta eléctrica en funcionamiento puede lanzar objetos hacia los ojos, lo cual puede causar serios daños a los mismos. Antes de comenzar a utilizar una herramienta eléctrica, póngase siempre gafas de seguridad, anteojos protectores con protección lateral o careta completa cuando sea necesario. Recomendamos la careta protectora de visión amplia encima de los anteojos normales, o los anteojos protectores estándar con protección lateral. Siempre póngase protección ocular con la marca de cumplimiento de la norma ANSI Z87.1.

GUARDE ESTAS INSTRUCCIONES

ASPECTOS ELÉCTRICOS

CORDONES DE EXTENSIÓN

Sólo utilice cordones de extensión de tres conductores con clavijas de tres patillas y receptáculos de tres polos que acepten la clavija del cordón del compresor. Al utilizar el compresor de aire a una distancia considerable del suministro de corriente, asegúrese de utilizar un cordón de extensión del grueso suficiente para soportar el consumo de corriente del compresor. Un cordón de extensión de un grueso insuficiente causa una caída en el voltaje de línea, además de producir una pérdida de potencia y un recalentamiento del motor. Báse en la tabla suministrada abajo para determinar el calibre mínimo requerido de los conductores del cordón de extensión. Solamente deben utilizarse cordones con forro redondo registrados en Underwriter's Laboratories (UL).

**Amperaje (aparece en la placa de datos del compresor)

0 - 20 21 - 3.4 3.5 - 5.0 5.1 - 7.0 7.1 - 12.0 12.1 - 16.0

Longitud del cordón	Calibre conductores (A.W.G.)					
25'	16	16	16	16	14	14
50'	16	16	16	14	14	12
100'	16	16	14	12	10	—

**Se usa en los circuitos de calibre 12, de 20 A.

NOTA: AWG = Calibre conductores norma americana

Al trabajar a la intemperie con el compresor, utilice un cordón de extensión fabricado para uso en el exterior. Tal característica está indicada con las letras "WA" en el forro del cordón. Antes de utilizar un cordón de extensión, inspecciónelo para ver si tiene conductores flojos o expuestos y aislamiento cortado o gastado.



ADVERTENCIA

Mantenga el cordón de extensión fuera del área de trabajo. Al trabajar con una herramienta eléctrica, coloque el cordón de tal manera que no pueda enredarse en la madera, herramientas o ninguna obstrucción. La inobservancia de esta advertencia puede causar lesiones serias.



ADVERTENCIA

Inspeccione los cordones de extensión cada vez antes de usarlos. Si están dañados, reemplácelos de inmediato. Nunca utilice el compresor con un cordón dañado, ya que si toca la parte dañada puede producirse una descarga eléctrica, y las consecuentes lesiones serias.

CONEXIÓN ELÉCTRICA

Este compresor de aire está accionado por un motor eléctrico fabricado con precisión. Debe conectarse únicamente a una línea de voltaje de 120 V, 60 Hz, de corriente alterna solamente (corriente normal para uso doméstico). No utilice esta herramienta con corriente continua (c.c.). Una caída considerable de voltaje causa una pérdida de potencia y el recalentamiento del motor. Si el compresor no funciona al conectarlo en una toma de corriente, vuelva a revisar el suministro de corriente.

VELOCIDAD Y CABLEADO

Velocidad de este compresor de aire no es constante y disminuye durante una carga o con menor tensión. En cuanto al voltaje, el cableado de un taller es tan importante como la potencia nominal del motor. Una línea destinada sólo para luces no puede alimentar el motor de una herramienta eléctrica. El cable con el calibre suficiente para una distancia corta será demasiado delgado para una mayor distancia. Una línea que alimenta una herramienta eléctrica quizá no sea suficiente para alimentar dos o tres herramientas.

INSTRUCCIONES DE CONEXIÓN A TIERRA

Este producto debe ser baja. En el caso de un cortocircuito eléctrico, la conexión a tierra reduce el riesgo de descarga eléctrica proporcionando un cable de escape para la corriente eléctrica. Este compresor de aire está equipado de un cordón eléctrico con una clavija dotada de un conductor de conexión a tierra. La clavija debe conectarse en una toma de corriente igual que esté instalada y conectada a tierra correctamente, de conformidad con los códigos y reglamentos de la localidad.

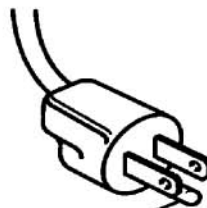
Advertencia

No modifique la clavija suministrada. Si no entra en la toma de corriente, llame a un electricista calificado para que instale una toma de corriente adecuada. Si se conecta de forma incorrecta el conductor de conexión a tierra del equipo puede presentarse un riesgo de descarga eléctrica.

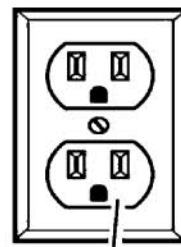
El conductor con aislamiento que tiene una superficie exterior verde con o sin tiras amarillas es el conductor de conexión a tierra del equipo. Si es necesaria la reparación o reemplazo del cordón eléctrico o de la clavija, no conecte el conductor de descarga a tierra a ninguno de los terminales de hoja plana (un terminal con corriente).

Consulte a un electricista calificado o técnico de servicio si no ha comprendido completamente las instrucciones de conexión a tierra o si no está seguro si la herramienta está conectada a tierra correctamente.

Repáre o reemplace de inmediato todo cordón dañado o gastado. Este compresor de aire debe utilizarse conectado en un circuito nominal de 120-V con una toma de corriente como la mostrada en la figura 1. También dispone de una patilla de conexión a tierra como la mostrada. Este producto debe conectarse a tierra. Sólo conecte el producto a un tomacorriente que tenga la misma configuración que el enchufe. No utilice un adaptador con este producto.



PATILLA DE CONEXIÓN A TIERRA



TOMA DE CORRIENTE DE 120 V CON CONEXIÓN A TIERRA

Figura 1

GLOSARIO DE TÉRMINOS

Filtro de aire

Es un elemento poroso contenido dentro de un alojamiento de metal o plástico unido al cilindro de la culata del cilindro del compresor, el cual sirve para eliminar las impurezas del aire de entrada del compresor.

Tanque de aire

Es un componente cilíndrico que contiene el aire comprimido.

Válvula de retención

Es un dispositivo cuya función es impedir que el aire comprimido se regrese del tanque de aire a la bomba del compresor.

Presión de activación

Es la presión baja a la cual arranca automáticamente el motor.

Presión de interrupción

Es la presión alta a la cual se apaga automáticamente el motor.

Motor eléctrico

Es el dispositivo encargado de suministrar la fuerza rotatoria necesaria para accionar la bomba del compresor.

Interruptor de Automático/Apagado Manual

Control que enciende o apaga el compresor de aire. El interruptor de presión no enciende y controla automáticamente el compresor a menos que el interruptor de Automático/Apagado manual esté en la posición de **AUTOMÁTICO (I)**.

NPT (Norma Nacional de Roscado de Tubos)

Debe utilizarse una cinta selladora de roscas para tener un sello a prueba de fugas en las conexiones roscadas de tubos.

Perilla de regulación de presión

Sirve para regular la presión de la salida de aire dirigida a la herramienta. Es posible aumentar o disminuir la presión presente en la salida ajustando esta perilla de control.

Interruptor de presión

Sirve para controlar los ciclos de encendido y apagado del compresor. Apaga el compresor cuando se alcanza la presión de interrupción del tanque y arranca el compresor cuando la presión del aire desciende abajo de la presión de interrupción.

PSI (Libras por pulgada cuadrada)

Son las unidades de medida de la presión ejercida por la fuerza del aire. La presión real en PSI es medida por el manómetro del compresor.

Bomba

Es el dispositivo que produce el aire comprimido mediante un pistón de vaivén contenido dentro del cilindro.

Manómetro regulador

Muestra la presión actual en el conducto. La presión del conducto se ajusta girando la perilla de regulación de presión.

Válvula de presión alivio

Su función es impedir que la presión del aire ascienda más allá de un límite predeterminado.

Pie cúbico estándar por minuto

La unidad de medida de suministro de aire.

Manómetro del tanque

Sirve para indicar la presión interna del tanque.

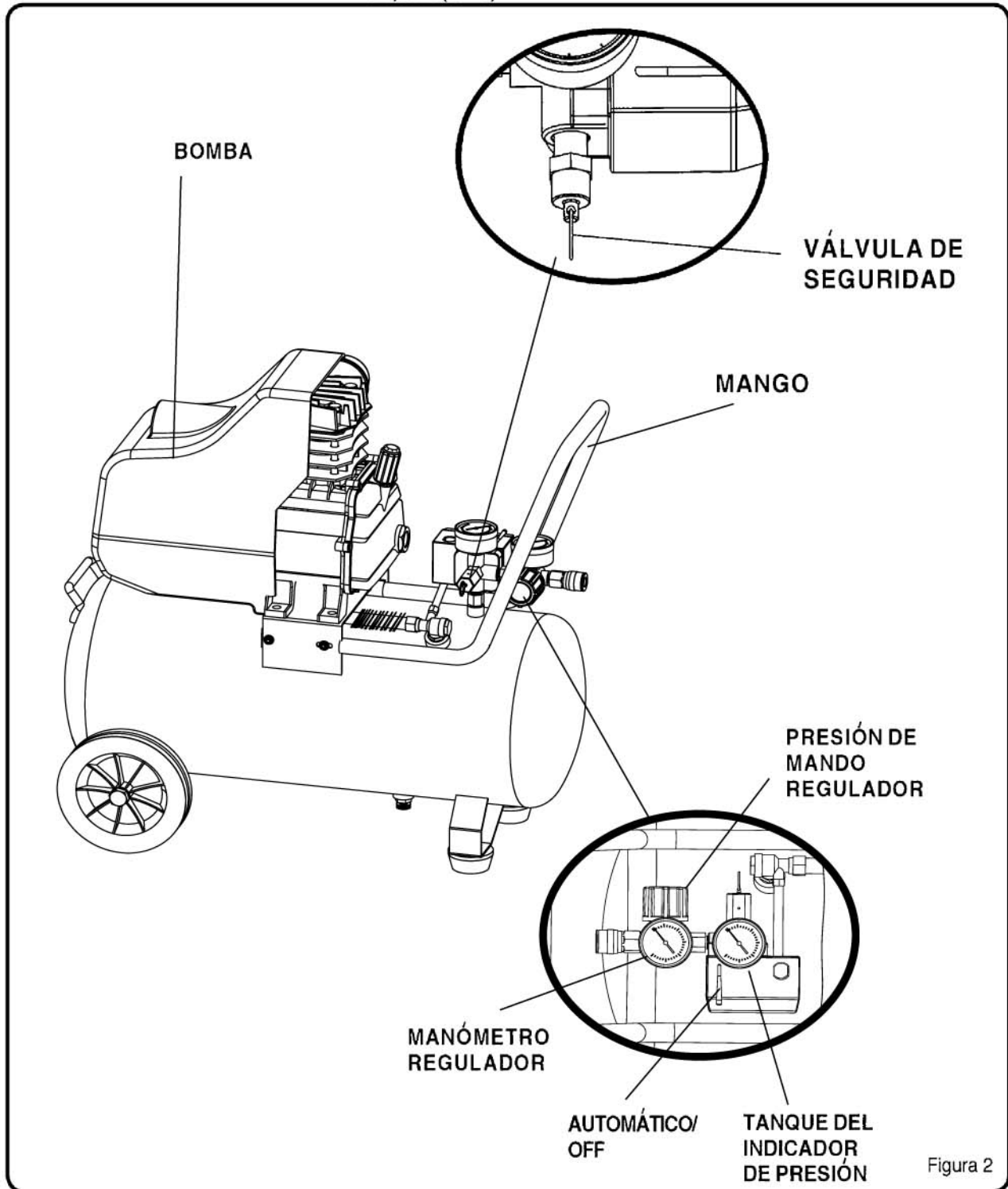
Interruptor de sobrecarga térmica

Sirve para apagar automáticamente el compresor si la temperatura del motor eléctrico se excede de un límite predeterminado.

CARACTERÍSTICAS

ESPECIFICACIONES DEL PRODUCTO

Potencia de funcionamiento	1,5 HP	Lubricación	Lubricados con aceite
Capacidad del tanque de aire.....	30,3 L	Manómetros.....	50,8 mm (2 pulg.) de diámetro
Presión de aire	861,8kPa (125 psi), máx.	de entrada	120 V, 60 Hz, 12,5 A, sólo corr. alt.
Suministro de aire.....	113,27L/min (4,0SCFM)@ 620,5kPa (90Psi)	Peso neto	28 kg (61,7 lbs)



CARACTERÍSTICAS

FAMILIARÍCESE CON EL COMPRESOR

Vea la Figura 2.

El uso seguro que este producto requiere la comprensión de la información impresa en la herramienta y en el manual del operador así como ciertos conocimientos sobre el proyecto a realizar. Antes de usar este producto, familiarícese con todas las características de funcionamiento y normas de seguridad.

MANGO

El compresor de aire está equipado con un mango de transporte acolchado para facilitar el uso.

MOTOR INDUCCIÓN DE LUBRICADOS CON ACEITE

Un aceite de lubricación de larga duración de la bomba de aceite de verificación antes de su uso.

PERILLA DE REGULACIÓN DE PRESIÓN

Para ajustar la cantidad de aire suministrada a través de la manguera, utilice la perilla de regulación de presión.

MANÓMETRO REGULADOR

La presión actual del conducto aparece en el manómetro regulador. Esta presión puede ajustarse girando la perillade regulación de presión.

VÁLVULA DE PRESIÓN ALIVIO

La válvula de presión alivio está diseñada para soltar aire automáticamente si la presión del aparato receptor del aire sobrepasa el límite máximo prefijado.

MANÓMETRO DEL TANQUE

El manómetro indica la presión del aire en el interior del tanque.

ARMADO

CÓMO CONECTAR LA MANGUERA Y EL ACOPLADOR RÁPIDO

Vea la figura 3.

- Asegúrese de que esté apagado y desconectado el compresor de aire.
- Gire completamente a la izquierda la perilla de regulación de presión.
- Introduzca el extremo del adaptador para manguera de la manguera de aire en el extremo del acoplador hembra en el compresor de aire.

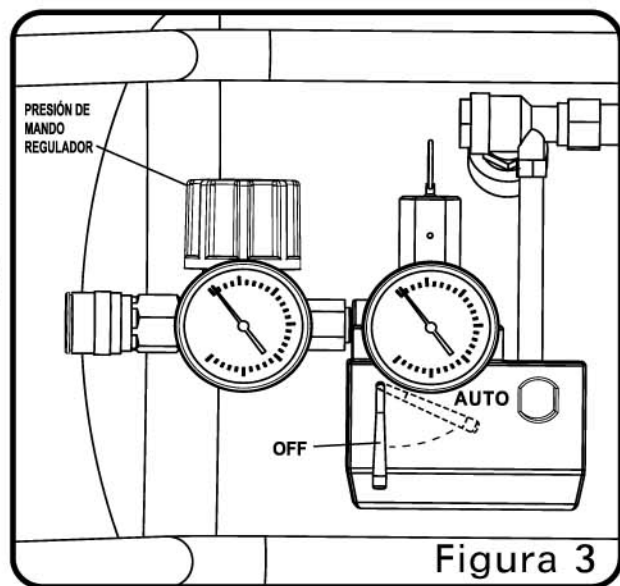


Figura 3

FUNCIONAMIENTO

DESEMPAQUETADO

- Extraiga cuidadosamente de la caja la herramienta. Asegúrese de que estén presentes todos los artículos enumerados en la lista de empaquetado.
- Inspeccione cuidadosamente la herramienta para asegurarse de que no haya sufrido ninguna rotura o daño durante el transporte.
- No deseche el material de empaquetado sin haber inspeccionado cuidadosamente la herramienta y haberla utilizado satisfactoriamente.
- Si hay piezas dañadas o faltantes, le suplicamos llamar al 1-877-636-0533, donde le brindaremos asistencia.



ADVERTENCIA

Si faltan piezas, no utilice este producto sin haber reemplazado todas las piezas faltantes. La inobservancia de esta advertencia puede causar lesiones serias.



ADVERTENCIA

No intente modificar este producto ni hacer accesorios no recomendados para la misma. Cualquier alteración o modificación constituye maltrato el cual puede causar una condición peligrosa, y como consecuencia posibles lesiones corporales serias.



ADVERTENCIA

No conecte el conector de inflado o la otra herramienta en el extremo abierto de la manguera sin haber efectuado el procedimiento inicial.



ADVERTENCIA

No permita que su familiarización con los productos lo vuelva descuidado. Tenga presente que un descuido de un instante es suficiente para causar una lesión seria.



ADVERTENCIA

Cuando utilice productos, póngase siempre gafas de seguridad o anteojos protectores con protección lateral. La inobservancia de esta advertencia puede causar el lanzamiento de objetos a los ojos, y por consecuencia posibles lesiones serias.



ADVERTENCIA

No utilice ningún aditamento o accesorio no recomendado por el fabricante de este producto. El empleo de aditamentos o accesorios no recomendados podría causar lesiones serias.

PRECAUCIÓN

No utilice la unidad en ningún entorno polvoriento o contaminado de cualquier forma. Si se utiliza el compresor de aire en este tipo de entorno puede dañarse.

USOS

Los compresores de aire se utilizan en una variedad de sistemas de suministro de aire. Las mangueras, conectores, herramientas de aire y accesorios deben corresponder a la capacidad del compresor de aire.

Esta herramienta puede emplearse para los fines enumerados abajo:

- El funcionamiento de algunos ligeros powerd herramientas de aire, que requieren hasta 113,27L/min (4.0SCFM)
- Inflado de neumáticos, colchones de aire, equipo para deportes, etc.

FUNCIONAMIENTO

LUBRICACION

▲ PRECAUCIÓN UNIDAD

VIENE DE FARRICA SIN ACEITE! ACEITE EN LA BOMBA! Siga las instrucciones de lubricación antes de utilizar el compresor.

Agregue el aceite de la bomba con la botella de aceite entregado con el compresor. No utilice aceite automotriz común como por eje mpla 10W-30. Los aditivos existentes en el aceite de motor común pueden causar la acumulación de depósitos y reducir la vida útil de la bomba. Para que la bomba tenga una máxima vida útil, drene y cambie el aceite después de las primeras horas de funcionamiento.

La bomba del compresor lleva aproximadamente 380 ml de aceite. La ventanilla, ubicada en la caja del cigüeñal de la bomba, se utiliza para mantener el nivel de aceite correcto. El nivel de aceite "máx" es cuando el nivel de aceite está en el centro del punto en el centro del visor de aceite. El nivel de aceite "min" en la parte inferior del punto en el centro del visor de aceite, Véase la figura 4. Evite llenar en exceso, agregando aceite en forma gradual y verificando la ventanilla varias veces con la varilla de medición de aceite. Agregue suficiente aceite para que llegue al nivel marcado con "máx" en el visor de vidrio. El nivel adecuado de aceite está ilustrado en la Figura 4.

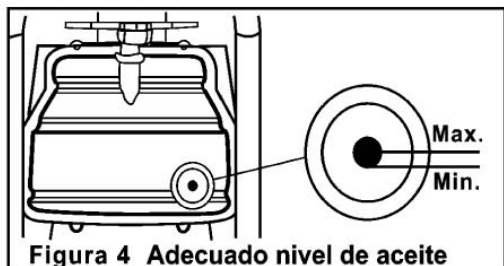


Figura 4 Adecuado nivel de aceite

CÓMO ENCENDER/APAGAR EL COMPRESOR DE AIRE

Vea la Figura 5.

■ Gire el interruptor de corriente a la posición de **AUTOMÁTICO** para encender el compresor.

■ Para apagar el compresor, gire el interruptor de corriente a la posición de **APAGADO**.

ANTES DE ARRANCARLO POR PRIMERA VEZ

PROCEDIMIENTO DE ABLANDE

Complete este procedimiento antes de usar el compresor por primera vez. Una vez completado, no es necesario repetirlo.

1. Gire la perilla del regulador totalmente hacia la derecha para abrir el flujo de aire.
2. Coloque el interruptor de encendido/apagado en la posición OFF (apagado).

3. Enchufe el cable de corriente.
4. Gire el interruptor de encendido/apagado a la posición AUTO (encendido) y haga funcionar el compresor durante 15 minutos.
5. Coloque el interruptor de encendido/a pagado en la posición OFF (apagado).
6. Desenchufe el cordón de corriente. Ahora el compresor está listo para ser

USO DEL COMPRESOR

Vea las figuras 5-6.

- Asegúrese de que el interruptor de corriente esté en la posición de **AUTOMÁTICO (O)** y el compresor esté desconectado.
- Si no está instalada aún la manguera, conéctela al compresor de la forma indicada previamente.
- Conecte el adaptador macho de 6,35 mm (1/4 pulg.) NPT de la herramienta en el extremo del acoplador hembra de la manguera de aire.



ADVERTENCIA

Siempre asegúrese de que el interruptor esté en la posición de **AUTOMÁTICO (O)** y el manómetro regulador indique cero antes de cambiar de herramienta de aire o desconectar la manguera de la salida de aire. La inobservancia de esta advertencia puede causar lesiones corporales serias.

- Gire la perilla de regulador el flujo a la derecha al aire libre.
- Conecte el cordón al suministro de corriente.
- Ponga el interruptor en la posición de **AUTOMÁTICO**.
- Gire la perilla de regulación de presión para ponerla en la presión del conducto deseada. Si se gira a la derecha la perilla se aumenta la presión de aire en la salida; si se gira a la izquierda se disminuye dicha presión.
- Ahora puede proceder a utilizar la herramienta accionada por aire deseada, siguiendo las medidas de precaución indicadas en este manual y las instrucciones del fabricante de la herramienta de aire señaladas en el manual de la misma.



ADVERTENCIA

EL SUMINISTRO DE AIRE DE ESTE COMPRESOR QUIZÁ SEA INSUFICIENTE PARA USAR TU HERRAMIENTA. LEE EL MANUAL DE LA HERRAMIENTA PARA EVITAR DAÑOS O EL RIESGO DE LESIONES.

FUNCIONAMIENTO

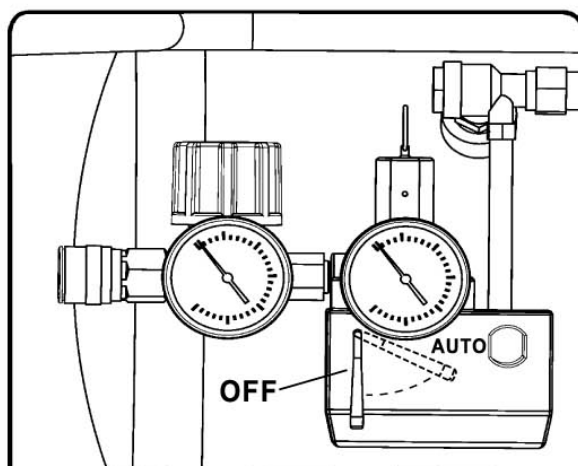


Figura 5

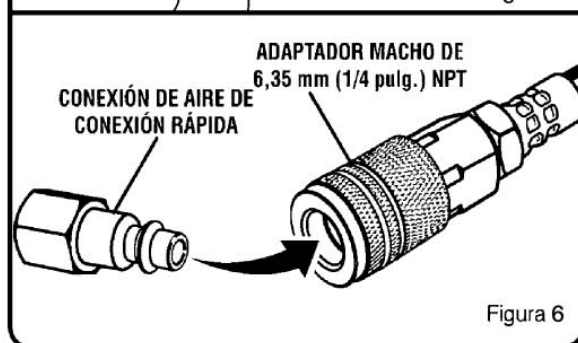


Figura 6

- Si va a usar un accesorio de inflado, controle la cantidad de flujo de aire con la perilla de regulación de presión. El flujo de aire se detiene completamente girando totalmente a la izquierda la perilla.

NOTA: Siempre use la cantidad de presión mínima necesaria en cada caso. Si usa una presión mayor de la necesaria se drena el aire del tanque con mayor rapidez y la unidad efectúa con mayor frecuencia su ciclo de funcionamiento.

- Al terminar, siempre drene el tanque y desconecte la unidad. Nunca deje conectada ni funcionando desatendida la unidad.

⚠ ADVERTENCIA

Siempre desconecte el suministro de aire y el de corriente antes de efectuar ajustes, dar servicio a la herramienta o cuando no esté usándose ésta.

DRENADO DEL TANQUE

Veá la figura 7.

Como ayuda para impedir la corrosión del tanque y mantener el aire libre de humedad, debe drenarse diariamente el tanque del compresor.

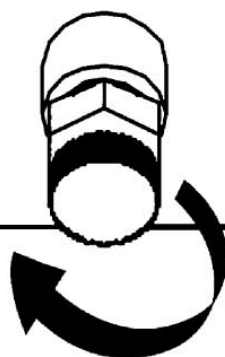
Para drenar el tanque:

- Apague el compresor de aire.
- Tire del aro de la válvula de presión alivio para soltar aire hasta que manómetro lee menos que 138kPa(20psi).
- Suelte el aro.
- Gire a la izquierda la válvula de drenaje para abrirla.
- Incline el tanque cuando mostrado en la figura 8 drene la humedad del tanque, recibéndola en un recipiente adecuado.
NOTA: La humedad condensada es material contaminante y debe desecharse de conformidad con los reglamentos locales.
- Si se tapa la válvula de drenaje, purgue toda la presión de aire, retire la válvula, límpiela y vuelva a instalarla.

⚠ ADVERTENCIA

DESCONECTA EL COMPRESOR DE AIRE Y VACÍA TODO EL AIRE DEL TANQUE ANTES DE DARLE MANTENIMIENTO. NO LIBERAR LA PRESIÓN EN EL TANQUE ANTES DE INTENTAR QUITAR LA VÁLVULA PUEDE CAUSAR LESIONES GRAVES.

- Gire a la derecha la válvula de drenaje hasta dejavla firmemente cerrada.



Gire a la izquierda la válvula de drenaje para abrirla.

Figura 7

FUNCIONAMIENTO

REVISIÓN DE LA VÁLVULA DE PRESIÓN ALIVIO

Vea las figuras 8-9.

PELIGRO

No intente forzar o alterar la válvula de seguridad. Cualquier pieza floja de este dispositivo puede volar y golpearlo. La inobservancia de esta advertencia podría causar lesiones serias, e incluso la muerte.

La válvula de seguridad está diseñada para soltar aire automáticamente si la presión del aparato receptor del aire sobrepasa el límite máximo prefijado. Debe revisarse la válvula cada día antes de usar la unidad; para ello, tire del aro con la mano.

- Encienda el compresor y permita que se llene el tanque. El compresor se apaga cuando la presión alcanza el límite máximo prefijado.
- Apague el compresor.
- Tire del aro de la válvula de presión alivio para soltar aire durante tres o cinco segundos.
- Suelte el aro. Al soltar el aro, el aire debe dejar de salir de inmediato. Cualquier pérdida de aire que permanezca después de soltarse el aro de la válvula de presión alivio indica un problema en ésta. Interrumpa el uso de la unidad permita que se dé servicio a la misma antes de volver a usar el compresor.

ADVERTENCIA

Si se fuga aire después de soltar el aro, o si está pegada la válvula y no puede accionarse con el aro, no utilice el compresor de aire, sino hasta haber reemplazado la válvula. Utilizar el compresor de aire en estas condiciones puede producir lesiones serias.

Este compresor de aire está equipado con un dispositivo de sobrecarga térmica que a su vez, el compresor de aire de forma automática. si el compresor de aire se recalienta. si el motor gira OFF en varias ocasiones, cheque por la siguiente causa posible por primera vez: de baja tensión de la toma.

Falta de ventilación adecuada o el aire exterior o la temperatura ambiente demasiado alta. El cable de extensión de grueso calibre demasiado largo o rong utilizados. (ver tabla en la página 28)

PROTECTOR DE LA SOBRECARGA

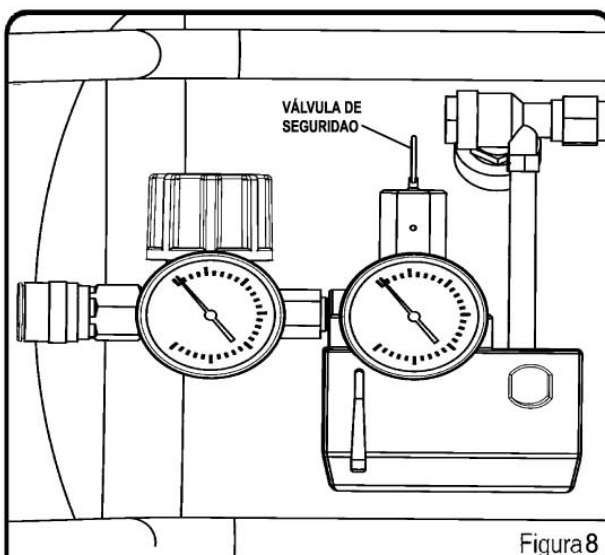


Figura 8

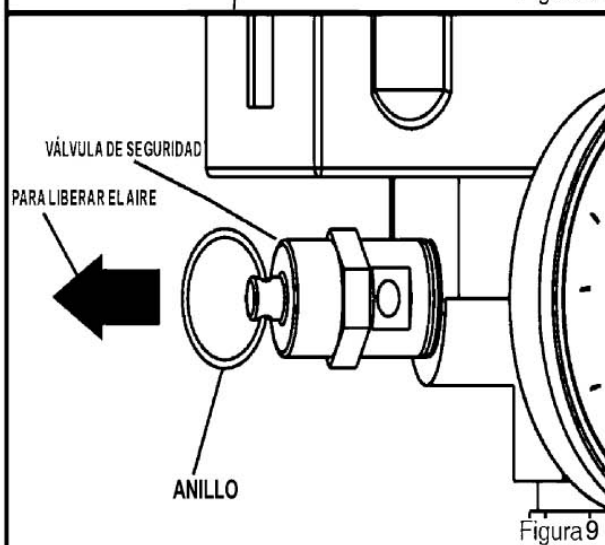


Figura 9

Para reajustar el compresor de aire:

- Apague el compresor de aire.
- Desconecte el compresor de aire.
- Enchufe el compresor de aire en una toma de corriente aprobada.
- Encienda el compresor de aire.

MANTENIMIENTO



ADVERTENCIA

Al dar servicio a la unidad, sólo utilice piezas de repuesto Husky idénticas. El empleo de piezas diferentes puede causar un peligro o dañar el producto.



ADVERTENCIA

Siempre use gafas de seguridad o anteojos protectores con protección lateral al usar herramientas eléctricas o al soplar el polvo con aire comprimido. Si la operación genera mucho polvo, también póngase una mascarilla contra el polvo.



ADVERTENCIA

Siempre purgue toda la presión, desconecte la unidad del suministro de corriente y permita que se enfríe antes de limpiarla o efectuarle reparaciones.

MANTENIMIENTO GENERAL

La humedad del aire causa se condensa en el tanque. Esta humedad condensada debe drenarse diariamente y/o cada hora siguiendo las instrucciones encontradas en el apartado Drenado del tanque.

La válvula de seguridad está diseñada para soltar aire automáticamente si la presión del aparato receptor del aire sobrepasa el límite máximo prefijado. Revise la válvula de presión alivio cada vez antes de usar la unidad siguiendo las instrucciones indicadas en el apartado Revisión de la válvula de seguridad.

Inspeccione anualmente el tanque para ver si tiene herrumbre, picaduras u otras imperfecciones que pudieran afectar la seguridad de la unidad.

Evite el empleo de solventes al limpiar piezas de plástico. La mayoría de los plásticos son susceptibles a diferentes tipos de solventes comerciales y pueden resultar dañados. Utilice paños limpios para eliminar la suciedad, el polvo, el aceite, la grasa, etc.



ADVERTENCIA

JAMÁS PERMITAS, EN NINGÚN MOMENTO, QUE LAS PIEZAS PLÁSTICAS ENTREN EN CONTACTO CON LÍQUIDO DE FRENO, GASOLINA, PRODUCTOS A BASE DE PETRÓLEO, LUBRICANTES PENETRANTES, ETC. LOS QUÍMICOS PUEDEN DAÑAR, DEBILITAR O DESTRUIR EL PLÁSTICO Y EN CONSECUENCIA ESTO PUEDE CAUSAR LESIONES GRAVES. LAS HERRAMIENTAS ELÉCTRICAS QUE SE UTILIZAN EN MATERIALES DE FIBRA DE VIDRIO, PANELES DE YESO PARA PAREDES, COMPUESTOS DE RESANAR O YESO, ESTÁN SUJETAS A UN DESGASTE ACELERADO Y POSIBLES FALLOS PREMATUROS PORQUE LAS PARTÍCULAS Y LIMADURAS DE FIBRA DE VIDRIO SON ALTAMENTE ABRASIVAS PARA LOS COJINETES, ESCOBILLAS, CONMUTADORES, ETC. POR CONSIGUIENTE, NO RECOMENDAMOS EL USO DE ESTA HERRAMIENTA DURANTE PERIODOS PROLONGADOS DE TRABAJO EN ESTOS MATERIALES. SIN EMBARGO, SI TRABAJAS CON CUALQUIERA DE ESTOS MATERIALES, RESULTA DE SUMA IMPORTANCIA LIMPIAR LA HERRAMIENTA CON AIRE COMPRIMIDO.

CAMBIOS DE ACEITE

1. Encienda el compresor de modo que el aceite se caliente. Desenchufe la unidad.
2. Coloque un recipiente debajo del extremo del cabezal.
3. Desconecte la unidad de los tomacorrientes (Figura 10). Quitele el tapón del orificio de lubricación y vierta el aceite dentro, del recipiente. Vire un poco la unidad para drenar el aceite completamente.
4. Colóquese el tapón al orificio de drenaje, llene el cabezal de aceite hasta que el medidor le indique que está lleno (full). Use aceite sintético Chevron SW-30, aceite Mobil 15W-30, aceite sintético para motores 10W-30 en este compresor. Si uso otros tipos de aceite podría tener problemas para encenderlo.
5. Cambie el aceite cada 100 horas de uso.

LIMPIEZA DEL FILTRO DE AIRE

Vea la figura 10.

Cada cierto tiempo, se debe retirar y limpiar el filtro de aire.

- Apague el compresor de aire.
- Desconecte el compresor de aire.
- Gire la cubierta del filtro de aire hacia la izquierda para retirarla.
- Retire el filtro de aire del alojamiento del filtro de aire.
- Haga pasar el aire comprimido a través del filtro de aire durante 10-15 segundos.
- Filtro de aire de restablecer a la vivienda, el filtro de aire del compresor.

ALMACENAMIENTO

1. Drene el tanque de humedad.
2. Cuando no esté en uso, compresor guárdelo en un lugar fresco y seco.
3. Desconecte la manguera y se bloquea, extremos abiertos hacia abajo para permitir que se drenen.
4. Envuelva el cable de alimentación en el mango.

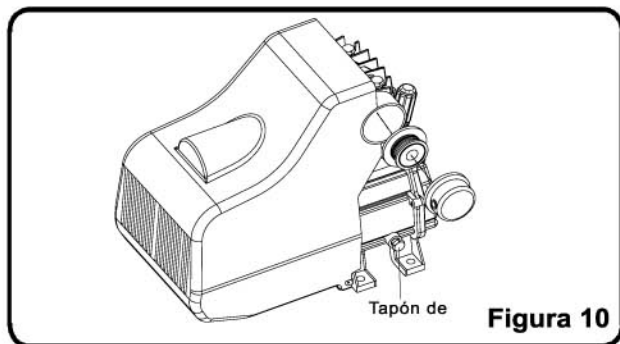
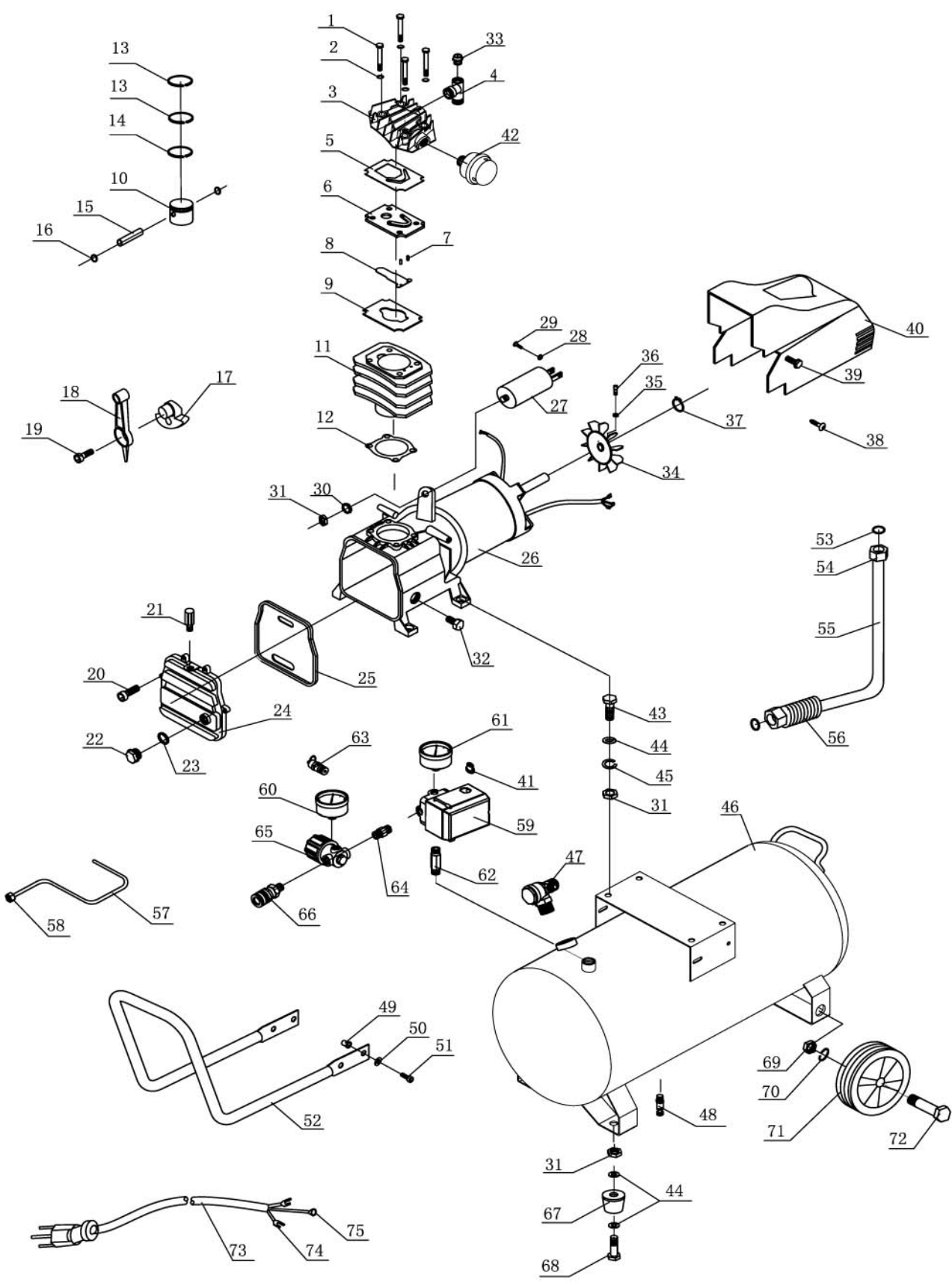


Figura 10

SOLUCIÓN DE PROBLEMAS

PROBLEMA	CAUSA POSIBLE	SOLUCIÓN
El compresor no arranca	Recalentamiento o pérdida de potencia No hay corriente eléctrica Fusible fundido en el taller o casa Disyuntor abierto en el taller o casa La sobrecarga del pulsador es accionada Interruptor de presión defectuoso Tanque lleno de aire Protector de sobrecarga se ha disparado.	Verifique cordón de extensión esté usándose de forma correcta Revise para asegurarse de que esté conectada la unidad; Revise fusible, disyuntor o protector contra sobrecarga térmica Reemplace el fusible fundido del taller o casa Restablezca el disyuntor del taller o casa, y determine la causa del problema Deprima la sobrecarga del pulsador Reemplace el interruptor de presión Lleve el compresor a un centro de servicio Véase la sección protector de sobrecarga en la página 35
El motor zumba pero no funciona o lo hace con lentitud	Voltaje bajo Cordón de extensión de calibre o longitud equivocados El devanado del motor tiene corto o está abierto Válvula de retención o de seguridad defectuosa	Llame a un electricista Verifique que el calibre y la longitud del cable sean los correctos Lleve el compresor a un centro de servicio Lleve el compresor a un centro de servicio
Los fusibles se funden o el disyuntor del circuito se dispara continuamente	Fusible de capacidad incorrecta, sobrecarga en el circuito Cordón de extensión de calibre o longitud equivocados Válvula de retención o de seguridad defectuosa	Verifique que el fusible sea de la capacidad correcta, use un fusible con retardo de tiempo, desconecte otros aparatos eléctricos del circuito o conecte el compresor a un subcircuito exclusivo Verifique que el calibre y la longitud del cable sean los correctos Lleve el compresor a un centro de servicio
Sobrecarga de pulsador contra sobrecarga térmica interrumpe la corriente continuamente	Voltaje bajo Ventilación insuficiente / temperatura ambiental demasiado elevada Cordón de extensión de calibre o longitud equivocados	Llame a un electricista Lleve el compresor a un lugar bien ventilado Verifique que el calibre y la longitud del cable sean los correctos
La presión del aparato receptor del aire disminuye cuando se apaga el compresor	Conexiones flojas (adaptadores, mangueras, etc.) Válvula de drenaje floja Revise para ver si hay fugas en la válvula	Revise todas las conexiones con solución de agua y jabón, y apriételas Apriete la válvula de drenaje Lleve el compresor a un centro de servicio
Humedad excesiva en el aire de descarga	Exceso de agua en el tanque de aire Alta humedad	Drene el tanque Lleve la unidad a un lugar de menor humedad; use un filtro de aire en línea
El compresor funciona continuamente	Interruptor de presión defectuoso Uso excesivo de aire	Lleve el compresor a un centro de servicio Disminuya el consumo de aire; el compresor no es de la suficiente capacidad para las necesidades de la herramienta
El compresor vibra	Afloje los pernos de montaje	Apriete los pernos de montaje
Producción de aire más baja de lo normal	Válvulas de entrada descompuestas Hay conexiones con fugas	Lleve el compresor a un centro de servicio Apriete las conexiones

DIAGRAMA DE LOS COMPONENTES - Modelo # TA-2530B



LISTA DE LAS PIEZAS - Modelo # TA-2530B

# de ref.	Juego #	Número de pieza	Descripción	Cantidad	# de ref.	Juego #	Número de pieza	Descripción	Cantidad
1			Perno de cabeza, M8x105	4	39			Tornillo, con arandela M5x12	2
2			Lavadora, bloqueo 8	4	40	06.064		Mortaja	1
3		03.100	Culata	1	41			Alivio de tensión 6W-3	2
4		40.033	Montaje, Té	1	42	41.005		Filtro de aire	1
5	C	35.035A	Empaque, Jefe	1	43			Bolt, de cabeza hexagonal, M8x30	4
6	B	11.004	Válvula, Ens.	1	44	K		Arandela plana, 8	12
7	B		Pin, Dia.3x6mm	2	45			Lavadora, de bloqueo, 8	4
8	B	34.001B	Válvula, Reed, intlet	1	46			Tanque, 30,3 litros	1
9	C	35.035B	Junta, la parte superior del cilindro	1	47	38.001A		Válvula de retención,	1
10	A	28.003	Del pistón	1	48	39.002		Válvula de desagüe, 1 / 4 "NPT	1
11		10.004	Cilindro	1	49	E		Tuerca, remachado, M6	4
12	C		Junta, del cilindro inferior	1	50			Lavadora, plana, 6	4
13	A	29.021	Anillo, compresión	2	51			Tornillo, SHCH, M6x20	4
14	A	29.021	Ring, raspador	1	52	E	08.108B	Manejar	1
15	A	30.003	Pin. Pistón Dia.12mm	1	53	F	46.029A	Lavadora, FLTA, cobre, 10	2
16	A		Anillo, Snap, 12mm	2	54	F	44.003	Tuerca hexagonal, de compresión, G3 / 8	2
17	A	12.004	Excéntrico	1	55	F	43.017B	Tubo, de salida, OD10mm	1
18	A	3.032	Rod, Conexión	1	56	F		aleta, ID de 10 mm	1
19	A		Bolt, SHCS, M8x22-LH	1	57	G	43.017F	Tubo, el alivio, OD 6 mm	1
20			Bolt, SHCS, M5x0.8x15	6	58	G	44.001	Tuerca hexagonal, la compresión, G1 / 8	1
21		26.002B	Tapa de llenado de aceite M16x1.5	1	59	21.011A		Interruptor, presión, 95-125psi	1
22	D	33.002	Petróleo mirilla	1	60			Galga de presión, 200 psi, 1 / 8 "NPT	1
23	D		Seal, medidor de aceite de vista	1	61			Galga de presión, 200 psi, 1 / 4 "NPT	1
24		03.101B	Cubierta, cárter	1	62			Nipper, 1 / 4 "NPTx48mm	1
25		36.015	Deflector de goma	1	63			Válvula, safaty, 140psi, ASME, 1 / 4 "NPT	1
26			Motor, Ens.	1	64			Nipper, 1 / 4 "NPTx30mm	1
27			Condensador, Correr, 120µF	1	65	25.020		Ruglater, 1 / 8 "NPTx1 / 4" NPTx1 / 4 "NPT	1
28			Lavadora, bloqueo de tres	2	66	22.005C		Conexión rápida, de un solo toque, 1 / 4 "NPT	1
29			Tornillo, M3x6	2	67	K	15.014	Aislador, goma	2
30			Lavadora, bloqueo de diente, 8	1	68	K		Bolt, de cabeza hexagonal, M8x20	2
31	K		Nut, M8x1.25	7	69	H		Tuerca, de cabeza hexagonal, M10	2
32			Enchufe, aceite, M12x16	1	70	H		Lavadora, de bloqueo, 10	2
33		40.018B	La válvula, el alivio	1	71	H	46.041	Rueda, 6 "	2
34		03.109	Ventilador, aleación de AL	1	72	H	46.043	Perno de tope, OD15.5x36.5xM10	2
35			Nut, M6	1	73	I	22.064	Cable, de energía, SJT14 / 3	1
36			Bolt, SHCS, M6x16	1	74	I		Terminal, Y el tipo, el 1,5-4U	2
37			Anillo. Snap. 14mm	1	75	I		Terminal, tipo O, 1,5-4O	1
38			Tornillo, ST4.2x12	2					

Los elementos con un asterisco en el campo de número de parte sólo están disponibles como parte de un kit.

Los artículos sin un número de parte o la letra del equipo no están un available

NOTAS

GARANTÍA

DECLARACIÓN DE LA GARANTÍA LIMITADA

Zhejiang Hongyou Air Comperssor Manufacturing Co.,LTD (HONGYOU). garantiza al comprador original al menudeo que este producto de Zhejiang Hongyou Air Comperssor Manufacturing Co.,LTD(HONGYOU). carece de defectos en los materiales y mano de obra y acuerda reparar o reemplazar, a la sola discreción de Zhejiang Hongyou Air Comperssor Manufacturing Co.,LTD(HONGYOU)., cualquier producto defectuoso sin cargo alguno dentro del plazo establecido después de la fecha de compra:

- Un año si el producto se emplea para uso personal, familiar o doméstico;
- 90 días si el producto se emplea para cualquier otro propósito, como el uso comercial o el de alquiler.

Esta garantía únicamente se ofrece al comprador original al menudeo y comienza en la fecha de la compra original al menudeo.

Cualquier parte del producto Zhejiang Hongyou Air Comperssor Manufacturing Co.,LTD(HONGYOU). manufacturado o suministrado por Zhejiang Hongyou Air Comperssor Manufacturing Co.,LTD(HONGYOU). que, a juicio razonable de Zhejiang Hongyou Air Comperssor Manufacturing Co.,LTD(HONGYOU).tenga defectos en los materiales o en la mano de obra, será reparado o reemplazado por un establecimiento de servicio autorizado de productos Zhejiang Hongyou Air Comperssor Manufacturing Co.,LTD(HONGYOU)., sin cargo alguno al comprador por concepto de piezas y mano de obra.

El producto, incluida toda pieza defectuosa, debe enviarse a un establecimiento de servicio autorizado dentro del período de la garantía. El propietario es responsable de pagar los gastos de entrega del producto Zhejiang Hongyou Air Comperssor Manufacturing Co.,LTD(HONGYOU). al establecimiento para cualquier trabajo garantizado y también los gastos de devolución de la pieza al propietario después de la reparación o reemplazo. La responsabilidad de Zhejiang Hongyou Air Comperssor Manufacturing Co.,LTD(HONGYOU).s con respecto a todo reclamo se limita a las reparaciones o reemplazo del producto, y ningún reclamo de incumplimiento de la garantía será causa de la cancelación o rescisión del contrato de venta de ningún producto de Zhejiang Hongyou Air Comperssor Manufacturing Co.,LTD(HONGYOU). En el establecimiento se requerirá el recibo de compra para respaldar cualquier reclamo al amparo de la garantía. Todo trabajo cubierto en la garantía debe ser realizado por un concesionario de servicio autorizado de Zhejiang Hongyou Air Comperssor Manufacturing Co.,LTD(HONGYOU).Esta garantía se limita a noventa (90) días a partir de la fecha original de la compra de cualquier producto Zhejiang Hongyou Air Comperssor Manufacturing Co.,LTD(HONGYOU). empleado para propósitos comerciales o de alquiler, o cualquier otro propósito generador de ingresos.

Esta garantía no cubre ningún producto de Zhejiang Hongyou Air Comperssor Manufacturing Co.,LTD(HONGYOU). que haya estado sujeto a abuso, abandono, negligencia o accidente, o que se haya utilizado en alguna manera de forma contraria a las instrucciones de funcionamiento según se especifica en este manual del operador. Esta garantía no aplica a los daños en el producto de Zhejiang Hongyou Air Comperssor Manufacturing Co.,LTD(HONGYOU). que resulten de un mantenimiento indebido ni a producto alguno de Zhejiang Hongyou Air Comperssor Manufacturing Co.,LTD (HONGYOU).. que haya sido alterado o modificado. La garantía no cubre las reparaciones que resulten necesarias

por el desgaste normal o por el uso de piezas o accesorios que sean incompatibles con el producto de Zhejiang Hongyou Air Comperssor Manufacturing Co.,LTD(HONGYOU). o que afecten adversamente su funcionamiento, desempeño o durabilidad.

Zhejiang Hongyou Air Comperssor Manufacturing Co.,LTD (HONGYOU). se reserva el derecho a cambiar o mejorar el diseño de cualquier producto de Zhejiang Hongyou Air Comperssor Manufacturing Co.,LTD(HONGYOU). sin asumir ninguna obligación de modificar ningún producto fabricado previamente.

TODAS LAS GARANTÍAS IMPLÍCITAS ESTÁN LIMITADAS EN DURACIÓN SEGÚN EL PERÍODO DE GARANTÍA DECLARADA. POR CONSIGUIENTE, CUALQUIER GARANTÍA IMPLÍCITA, INCLUSO LAS DE COMERCIABILIDAD, IDONEIDAD PARA UN PROPÓSITO EN PARTICULAR, O DE CUALQUIER TIPO, PIERDEN TOTALMENTE SU VALIDEZ DESPUÉS DEL VENCIMIENTO DEL PERÍODO DE GARANTÍA CORRESPONDIENTE DE DOS AÑOS, UN AÑO O NOVENTA DÍAS. DE CONFORMIDAD CON ESTA GARANTÍA, LA OBLIGACIÓN DE Zhejiang Hongyou Air Comperssor Manufacturing Co.,LTD(HONGYOU)., SE LIMITA ESTRICTA Y EXCLUSIVAMENTE A LA REPARACIÓN O REPLAZO DE LAS PIEZAS DEFECTUOSAS, Y Zhejiang Hongyou Air Comperssor Manufacturing Co.,LTD (HONGYOU)., NO ASUME NINGUNA OTRA OBLIGACIÓN, NI AUTORIZA A NADIE ASUMIRLA A NOMBRE DE DICHA COMPAÑÍA. ALGUNOS ESTADOS NO PERMITEN LIMITACIONES EN CUANTO A LA DURACIÓN DE UNA GARANTÍA IMPLÍCITA, POR LO CUAL ES POSIBLE QUE LA LIMITACIÓN ANTERIOR NO SE APLIQUE EN EL CASO DE USTED. Zhejiang Hongyou Air Comperssor Manufacturing Co.,LTD(HONGYOU). NO ASUME NINGUNA RESPONSABILIDAD POR DAÑOS DIRECTOS, INDIRECTOS O DE NINGÚN OTRO TIPO, COMO EL GASTO DE ENVIAR EL PRODUCTO DE Zhejiang Hongyou Air Comperssor Manufacturing Co.,LTD(HONGYOU). A UN ESTABLECIMIENTO DE SERVICIO AUTORIZADO Y EL GASTO DE ENVIARLO DE ALLÍ AL PROPIETARIO, EL TIEMPO DE VIAJE DEL MECÁNICO, CARGOS TELEFÓNICOS O TELEGRÁFICOS, ALQUILER DE UN PRODUCTO SUSTITUTO DURANTE EL TIEMPO DE REALIZACIÓN DEL SERVICIO DE LA GARANTÍA, VIAJES, PÉRDIDA O DAÑOS A OBJETOS DE PROPIEDAD PERSONAL, PÉRDIDA DE INGRESOS, PÉRDIDA DEL USO DEL PRODUCTO, PÉRDIDA DE TIEMPO O INCONVENIENTES. EN ALGUNOS ESTADOS NO SE PERMITE LA EXCLUSIÓN O LIMITACIÓN DE DAÑOS DIRECTOS O INDIRECTOS, POR LO CUAL ES POSIBLE QUE LA LIMITACIÓN O EXCLUSIÓN DESCRITA ARRIBA NO SE APLIQUE EN SU CASO.

Esta garantía le confiere derechos legales específicos, y es posible que usted goce de otros derechos, los cuales pueden variar de estado a estado.

Esta garantía se aplica a todos los productos de Zhejiang Hongyou Air Comperssor Manufacturing Co.,LTD(HONGYOU). fabricados o vendidos por dicha compañía en Estados Unidos y Canadá.

Para encontrar el concesionario de servicio autorizado más cercano a usted, llame al 1-877-636-0533.

Free Manuals Download Website

<http://myh66.com>

<http://usermanuals.us>

<http://www.somanuals.com>

<http://www.4manuals.cc>

<http://www.manual-lib.com>

<http://www.404manual.com>

<http://www.luxmanual.com>

<http://aubethermostatmanual.com>

Golf course search by state

<http://golfingnear.com>

Email search by domain

<http://emailbydomain.com>

Auto manuals search

<http://auto.somanuals.com>

TV manuals search

<http://tv.somanuals.com>