

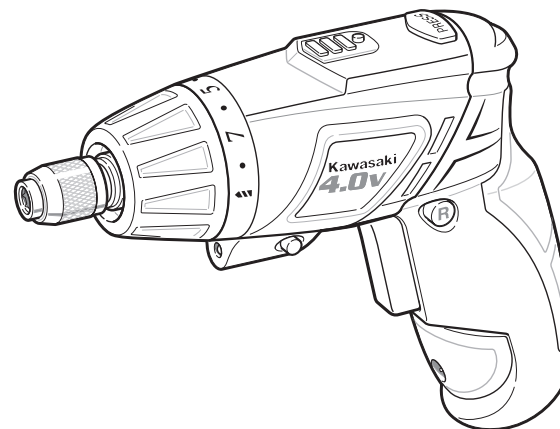
Kawasaki

4V BATTERY-OPERATED SCREWDRIVER INSTRUCTION MANUAL

MANUEL D'UTILISATION DE LA VISSEUSE SUR BATTERIE DE 4 V

MANUAL DE INSTRUCCIONES PARA EL DESTORNILLADOR A BATERÍA DE 4 V

COMPONENT
COMPOSANT
COMPONENTE
#691512



THIS MANUAL CONTAINS IMPORTANT INFORMATION REGARDING SAFETY, OPERATION, MAINTENANCE AND STORAGE OF THIS PRODUCT. BEFORE USE, READ CAREFULLY AND UNDERSTAND ALL CAUTIONS, WARNINGS, INSTRUCTIONS AND PRODUCT LABELS. FAILURE TO DO SO COULD RESULT IN SERIOUS PERSONAL INJURY AND/OR PROPERTY DAMAGE.

CE MANUEL CONTIENT DES INFORMATIONS IMPORTANTES CONCERNANT LA SÉCURITÉ, LE FONCTIONNEMENT ET LE REMISAGE DE CE PRODUIT. LIRE, ÉTUDIER ET VEILLER À BIEN COMPRENDRE TOUTES LES MISES EN GARDE ET INSTRUCTIONS ET AUTOCOLLANTS APPOSÉS SUR LE PRODUIT AVANT DE L'UTILISER. NE PAS RESPECTER CES INSTRUCTIONS POURRAIT ENTRAÎNER DES BLESSURES ET/OU DES DOMMAGES MATÉRIELS.

ESTE MANUAL CONTIENE INFORMACIÓN IMPORTANTE SOBRE LA SEGURIDAD, OPERACIÓN, MANTENIMIENTO Y ALMACENAMIENTO DE ESTE PRODUCTO. ANTES DE USARLO, LEA Y COMPRENDA TODAS LAS PRECAUCIONES, ADVERTENCIAS, INSTRUCCIONES Y ETIQUETAS DEL PRODUCTO. DE LO CONTRARIO PODRÍA SUFRIR LESIONES GRAVES O CAUSAR DAÑOS MATERIALES.

IF YOU SHOULD HAVE ANY QUESTIONS OR EXPERIENCE A PROBLEM WITH YOUR ALLTRADE PRODUCT, DO NOT RETURN THIS PRODUCT TO THE STORE. PLEASE CALL OUR CUSTOMER SERVICE DEPARTMENT AT 1-800-590-3723. BEFORE YOU CALL, HAVE THE FOLLOWING INFORMATION AVAILABLE: MODEL No., DATE PURCHASED AND STORE LOCATION. AN ALLTRADE REPRESENTATIVE CAN RESOLVE YOUR PROBLEM OVER THE PHONE. IF YOU WOULD LIKE TO MAKE A SUGGESTION OR COMMENT, GIVE US A CALL OR EMAIL US AT: INFO@ALLTRADETOOLS.COM. YOUR FEEDBACK IS VITAL TO US.

POUR TOUTE QUESTION OU EN CAS DE PROBLÈME AVEC LE PRODUIT ALLTRADE, NE PAS LE RETOURNER AU MAGASIN OÙ IL A ÉTÉ ACHETÉ. APPELER LE SERVICE APRÈS-VENTE AU 1-800-590-3723. AVANT D'APPELER, VEILLER À SE PROCURER LES INFORMATIONS SUIVANTES : No. DE MODÈLE, DATE DE L'ACHAT ET ADRESSE DU MAGASIN. UN REPRÉSENTANT D'ALLTRADE PEUT RÉSOUDRE VOTRE PROBLÈME PAR TÉLÉPHONE. POUR TOUT COMMENTAIRE OU SUGGESTION, N'HÉSITEZ PAS À NOUS APPELER OU NOUS CONTACTER PAR COURRIEL À L'ADRESSE : INFO@ALLTRADETOOLS.COM. VOS COMMENTAIRES NOUS SONT EXTRÊMEMENT PRÉCIEUX.

SI TIENE DUDAS O SURGEN PROBLEMAS CON SU PRODUCTO ALLTRADE, NO LO DEVUELVA A LA TIENDA LLAME A NUESTRO DEPARTAMENTO DE SERVICIO AL CLIENTE AL 1-800-590-3723. ANTES DE LLAMAR, TENGA A MANO LA SIGUIENTE INFORMACIÓN: No. DE MODELO, FECHA DE COMPRA Y DIRECCIÓN DE LA TIENDA. UN REPRESENTANTE DE ALLTRADE PUEDE RESOLVER SU PROBLEMA POR TELÉFONO. SI DESEA HACER ALGUNA SUGERENCIA O COMENTARIO, LLÁMENOS O ENVÍENOS UN MENSAJE DE CORREO ELECTRÓNICO A: INFO@ALLTRADETOOLS.COM. SUS COMENTARIOS SON FUNDAMENTALES PARA NOSOTROS.



87-1904-60957

KAWASAKI IS A TRADEMARK LICENSED BY KAWASAKI MOTORS CORP., U.S.A., WHICH DOES NOT MANUFACTURE OR DISTRIBUTE THIS PRODUCT. CONSUMER INQUIRES SHOULD BE DIRECTED TO:

KAWASAKI EST UNE MARQUE DE COMMERCE DE KAWASAKI MOTORS CORP., U.S.A., QUI NE FABRIQUE PAS ET NE DISTRIBUE PAS CE PRODUIT THIS PRODUCT. LES QUESTIONS DES CONSOMMATEURS DOIVENT ÊTRE ADRESSÉES À :

KAWASAKI ES UNA MARCA REGISTRADA CON LICENCIA DE KAWASAKI MOTORS CORP., E.U.A., QUE NO FABRICA NI DISTRIBUYE ESTE PRODUCTO. LAS CONSULTAS DE LOS CONSUMIDORES DEBEN DIRIGIRSE A:

©COPYRIGHT 2010 ALLTRADE TOOLS, LLC.

1431 VIA PLATA
LONG BEACH, CA 90810-1462 USA

691512 - 4V Battery-Operated Screwdriver, Visseuse sur Batterie de 4 V, Destornillador Operado con Batería de 4 V_Rev 10/29/10

**FOR CUSTOMER SERVICE
POUR LE SERVICE APRÈS VENTE
OU DU CONSOMMATEUR**

**PARA EL SERVICIO
PARA EL CONSUMIDOR**

1-800-590-3723

Printed in China
Imprimé dans la Chine
Impreso en China

TABLE OF CONTENTS

CONGRATULATIONS!	2
INTENDED USE	2
SECTION ONE	
GENERAL SAFETY RULES—FOR ALL BATTERY OPERATED TOOLS	2-7
RECOGNIZE SAFETY SYMBOLS, WORDS AND LABELS	2-3
IMPORTANT SAFEGUARDS	3
WORK AREA	4
ELECTRICAL SAFETY	4
PERSONAL SAFETY	5
TOOL USE AND CARE	5-6
BATTERY TOOL USE AND CARE	6
SERVICE	7
SECTION TWO	
SPECIFIC SAFETY RULES AND/OR SYMBOLS	7-8
SAFETY RULES FOR SCREWDRIVERS	7-8
SYMBOLS	8
SECTION THREE	
FUNCTIONAL DESCRIPTION	9-10
SCREWDRIVER BIT INSERTION	10
BATTERY	10-12
CHARGER	11
CHARGING THE SCREWDRIVER BATTERY	12
ASSEMBLY	13
INSERTING THE SCREWDRIVER BITS INTO COLLET	13
OPERATING THE CORDLESS SCREWDRIVER	13-15
TRIGGER SWITCH	13
FORWARD/REVERSE AND TRIGGER LOCK BUTTON	14
TORQUE SETTINGS	14
AUTOMATIC SPINDLE LOCK	15
ADJUSTABLE HANDLE	15
WORKLIGHT	15
SECTION FOUR	
MAINTENANCE AND CLEANING	15-16
ACCESSORIES	16
SPECIFICATIONS	17
PROTECTING THE ENVIRONMENT	17
OTHER CONSUMER DO-IT-YOURSELF (DIY) TOOLS	17
SECTION FIVE	
3 YEAR LIMITED WARRANTY	18-21


CONGRATULATIONS!

Thanks for choosing this product. At Alltrade, our aim is to provide you with quality products at an affordable price, and we want you to be totally satisfied with your product and our Customer Service. If any help or advice is needed, please contact us at 1-800-590-3723. Properly cared for, this tool will give you many years of satisfaction.

INTENDED USE

This tool is intended for consumer use only. Your charger and/or adapter has been designed for charging batteries of the type approved and supplied with this tool.

GENERAL SAFETY RULES—FOR ALL BATTERY OPERATED TOOLS

 **WARNING** READ AND UNDERSTAND ALL INSTRUCTIONS. Failure to follow all instructions listed below may result in electric shock, fire and/or serious personal injury.

SAVE THESE INSTRUCTIONS FOR FUTURE REFERENCE.

RECOGNIZE SAFETY SYMBOLS, WORDS AND LABELS

The safety instructions provided in this manual are not intended to cover all possible conditions and practices that may occur when operating, maintaining and cleaning power tools.

Always use common sense and pay particular attention to all the **DANGER**, **WARNING**, **CAUTION** and **NOTE** statements of this manual.



This is the safety alert symbol. It is used to alert you to potential personal injury hazards. Obey all safety messages that follow this symbol to avoid possible injury or death.

 **DANGER**

DANGER indicates an imminently hazardous situation which, if not avoided, will result in death or serious injury.

 **WARNING**

WARNING indicates a potentially hazardous situation which, if not avoided, could result in death or serious injury.

⚠ CAUTION

CAUTION indicates a potentially hazardous situation which, if not avoided, may result in minor or moderate injury.

CAUTION

CAUTION used without the safety alert symbol indicates a potentially hazardous situation which, if not avoided, may result in property damage.

NOTE

NOTE provides additional information that is useful for proper use and maintenance of this tool. If a NOTE is indicated make sure it is fully understood.

IMPORTANT SAFEGUARDS

⚠ DANGER

People with electronic devices, such as pacemakers, should consult their physician(s) before using this product. Operation of electrical equipment in close proximity to a heart pacemaker could cause interference or failure of the pacemaker.

WARNING: Some dust created by power sanding, sawing, grinding, drilling and other construction activities contains chemicals known to the State of California to cause cancer, birth defects or other reproductive harm.

Some examples of these chemicals are:

- Lead from lead-based paints.
- Crystalline silica from bricks and cement and other masonry products, and arsenic and chromium from chemically-treated lumber.

Your risk from these exposures varies, depending on how often you do this type of work. To reduce your exposure to these chemicals: work in a well ventilated area, and work with approved safety equipment, such as dust masks that are specially designed to filter out microscopic particles.

WARNING: This product contains chemicals known to the State of California to cause cancer and birth defects or other reproductive harm.

WORK AREA

⚠ WARNING

Keep children and bystanders away while operating a power tool. Distractions can cause you to lose control.

Wear ear protectors with impact drills. Exposure to noise can cause hearing loss.

Use auxiliary handles (if) supplied with the tool. Loss of control can cause personal injury.

ELECTRICAL SAFETY

⚠ WARNING

Power tool plugs must match the outlet. Never modify the plug in any way. Do not use any adapter plugs with earthed (grounded) power tools. Unmodified plugs and matching outlets will reduce risk of electric shock.

Avoid body contact with earthed or grounded surfaces such as pipes, radiators, ranges and refrigerators. There is an increased risk of electric shock if your body is earthed or grounded.

Do not expose power tools to rain or wet conditions. Water entering a power tool will increase the risk of electric shock.

Do not abuse the cord. Never use the cord for carrying, pulling or unplugging the power tool. Keep cord away from heat, oil, sharp edges or moving parts. Damaged or entangled cords increase the risk of electric shock.

When operating a power tool outdoors, use an extension cord suitable for outdoor use. Use of a cord suitable for outdoor use reduces the risk of electric shock.

If operating a power tool in a damp location is unavoidable, use a ground fault circuit interrupter (GFCI) protected supply. Use of a GFCI reduces the risk of electric shock.

A battery operated tool with integral batteries or a separate battery pack must be recharged only with the specified charger for the battery. A charger that may be suitable for one type of battery may create a risk of fire when used with another battery.

Use battery operated tool only with specifically designated battery pack. Use of any other batteries may create risk of fire.

PERSONAL SAFETY

WARNING

Stay alert, watch what you are doing, and use common sense when operating a power tool. Do not use tool while tired or under the influence of drugs, alcohol or medication. A moment of inattention while operating power tools may result in serious personal injury.

Dress properly. Do not wear loose clothing or jewelry. Keep your hair, clothing, and gloves away from moving parts. Loose clothes, jewelry or long hair can be caught in moving parts.

Prevent accidental starting. Ensure switch is in the “OFF” position before connecting to power source and/or battery pack, picking up or carrying the tool. Carrying power tools with your finger on the switch or energizing power tools that have the switch “ON” invites accidents.

Remove adjusting keys or wrenches before turning the tool “ON”. A wrench or a key that is left attached to a rotating part of the tool may result in personal injury.

Do not overreach. Keep proper footing and balance at all times. This enables better control of the power tool in unexpected situations.

Use personal protective equipment. Always wear eye protection. Protective equipment such as dusk mask, non-skid safety shoes, hard hat, or hearing protection used for appropriate conditions will reduce personal injuries.

If devices are provided for the connection of dust extraction and collection facilities, ensure these are connected and properly used. Use of dust collection can reduce dust-related hazards.

TOOL USE AND CARE

CAUTION

Do not force the power tool. Use the correct power tool for your application. The correct power tool will do the job better and safer at the rate for which it was designed.

Do not use the power tool if the switch does not turn it on and off. Any power tool that cannot be controlled with the switch is dangerous and must be repaired.

Disconnect the plug from the power source and/or the battery pack from the power tool before making any adjustments, changing accessories, or storing power tools. Such preventive safety measures reduce the risk of starting the power tool accidentally.

CAUTION

Store idle power tools out of the reach of children and do not allow persons unfamiliar with the power tool or these instructions to operate the power tool. Power tools are dangerous in the hands of untrained users.

Maintain power tools. Check for misalignment or binding of moving parts, breakage of parts and any other condition that may affect the power tool’s operation. If damaged, have the power tool repaired before use. Many accidents are caused by poorly maintained power tools.

Keep cutting tools sharp and clean. Properly maintained cutting tools with sharp cutting edges are less likely to bind and are easier to control.

Use the power tool, accessories and tool bits etc. in accordance with these instructions, taking into account the working conditions and the work to be performed. Use of the power tool for operations different from those intended could result in a hazardous situation.

BATTERY TOOL USE AND CARE

CAUTION

Ensure the switch is in the off position before inserting battery pack. Inserting battery pack into power tools that have the switch on invites accidents.

Recharge only with the charger specified by the manufacturer. A charger that is suitable for one type of battery pack may create a risk of fire when used with another battery pack.

Use power tools only with specifically designated battery packs. Use of any other battery packs may create a risk of injury and fire.

When battery pack is not in use, keep it away from other metal objects, like paper clips, coins, keys, nails, screws or other small metal objects, that can make a connection from one terminal to another. Shorting the battery terminals together may cause burns or a fire.

Under abusive conditions, liquid may be ejected from the battery; avoid contact. If contact accidentally occurs, flush with water. If liquid contacts eyes, additionally seek medical help. Liquid ejected from the battery may cause irritation or burns.

SERVICE

CAUTION

Tool service must be performed only by qualified repair personnel. Service or maintenance by unqualified personnel may result in a risk of injury.

When servicing a tool, use only identical replacement parts. Follow instructions in the Maintenance section of this manual. Use of unauthorized parts or failure to follow Maintenance Instructions may create a risk of shock or injury.

SPECIFIC SAFETY RULES AND/OR SYMBOLS

WARNING

Hold tool by insulated gripping surfaces when performing an operation where the cutting tool may contact hidden wiring. Contact with a “live” wire will also make exposed metal parts of the tool “live” and shock the operator.

SAFETY RULES FOR SCREWDRIVERS

CAUTION

MAKE SURE APPROVED EYE PROTECTION IS BEING WORN and properly adjusted and secured at all times the cordless screwdriver is being used. There is a possibility that small pieces of metal could shear off from over-tightened screws while using the tool.

KEEP CHILDREN at a safe distance while using the cordless screwdriver. Distractions can cause inadvertent misuse resulting in possible injury to children or to the user.

USE ONLY SCREWDRIVER TIPS that are designed for use with this cordless screwdriver. The tips should be INSERT-TYPE screwdriver tips with a 1/4 in. hex shaft. If you are unsure of the types of screwdriver tips to use, contact Alltrade Customer Service at 1-800-590-3723 (toll free) for authorized tip specifications.

ENSURE THE SCREWDRIVER TIP IS FIRMLY PLACED IN THE FASTENER TO BE INSTALLED OR REMOVED. Hold the screwdriver firmly in place before activating the trigger switch. Failure to hold the screwdriver firmly could cause the tip to strip the fastener head making it difficult to install or remove.

DO NOT PLUG THE AC CHARGER INTO AN OUTLET WHERE IT CAN BE EXPOSED TO WATER. Do not lay the cordless screwdriver in or near water while it is plugged into the AC charger. Failure to comply with this WARNING can result in severe electrical shock or severe burns to anyone who touches the charger or the cordless screwdriver.


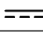


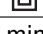
CAUTION

USE ONLY THE AC CHARGER THAT CAME WITH THE CORDLESS SCREWDRIVER. Should the AC charger fail to charge the battery in the screwdriver, contact Alltrade Customer Service at 1-800-590-3723 (toll free) to purchase a new one.

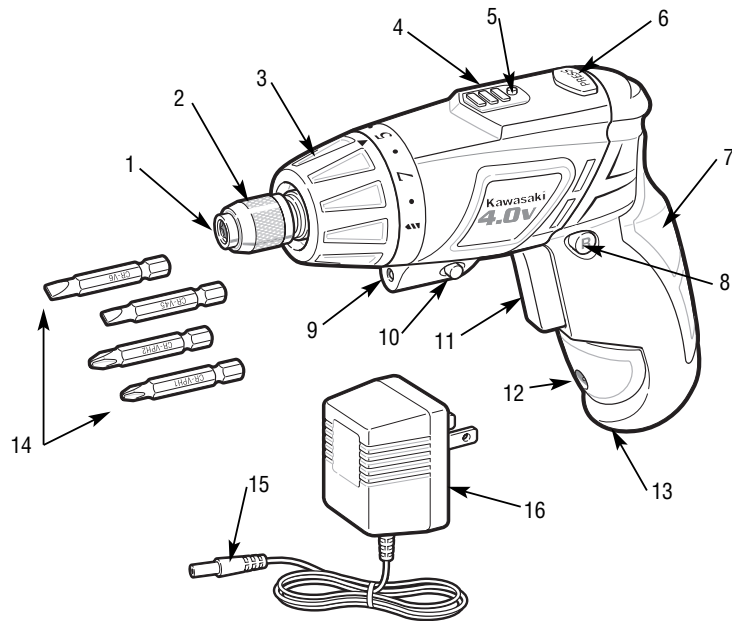
DO NOT ATTEMPT TO CHARGE THE CORDLESS SCREWDRIVER IF THE POWER CORD IS BROKEN OR FRAYED. Always store the charger in a clean dry location until it is needed.

SYMBOLS

IMPORTANT: Some of the following symbols may be used on your tool. Please study them and learn their meaning. Proper interpretation of these symbols will allow you to operate the tool better and safer.

SYMBOL	NAME	EXPLANATION
V	Volts	Voltage (Potential)
A	Amperes	Current
Hz	Hertz	Frequency (Cycles per Second)
W	Watt	Power
Kg	Kilograms	Weight
	Alternating Current	Type of Current
	Direct Current	Type of Current
	Alternating or Direct Current	Type of Current
	Earthing Terminal	Grounding Terminal
	Class II Construction	Denotes Double Insulation
min	Minutes	Time
s	Seconds	Time
φ	Diameter	Size of Drill Bits, Grinding Wheels, etc.
n_0	No load speed	No-load Rotational Speed Strokes, etc. per Minute
.../min	Revolutions per Minute	Revolutions, Surface Speed, Strokes, etc. per Minute
1,2,3, ...	Ring Selector Settings	Speed, Torque or Position Settings

FUNCTIONAL DESCRIPTION



CONTROLS AND COMPONENTS:

- | | |
|---|---|
| 1. 1/4 in. Collet | 8. Forward/Reversing and Trigger Lock Button |
| 2. Collet Quick Release Sleeve | 9. LED Light |
| 3. 8+1 Adjustable Torque Settings Control Ring | 10. LED Light Button |
| 4. Battery Status Indicator Lights (LEDs)
Green = Fully Charged
Yellow = Low Battery Charge
Red = Warning - Recharge Battery | 11. Trigger |
| 5. Battery Charge Status Test Button | 12. Pin Receptacle for AC Charger |
| 6. Handle Release Button | 13. Battery Charging Indicator Light (Red LED, not shown) |
| 7. Comfort Rubber Grip | 14. 1/4 in. Screwdriver Bits |
| | 15. Charger Plug |
| | 16. 120V Adapter/Charger |

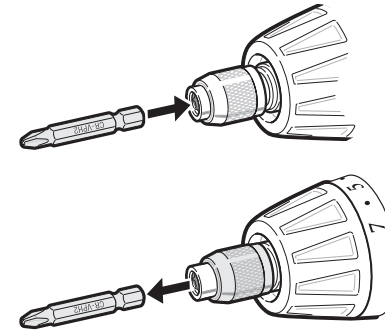
COMPONENT	MODEL NUMBER
120V ADAPTER/CHARGER	691513

SCREWDRIVER BIT INSERTION

The Cordless Screwdriver is equipped with a quick change collet that **ONLY accepts 1/4 in. hex-shaft screwdriver bits.**

Select the screwdriver tip best suited for the job. Place the tip in the fastener and ensure it fits snug. Tips that are too large or too small can damage the fastener by stripping out its head.

The Cordless Screwdriver should only be used as a screwdriver. **DO NOT** attempt to use the tool as a drill using drill bits with 1/4 in. hex-shafts. The Cordless Screwdriver does not have the speed necessary to be used as a drill.



BATTERY

⚠ WARNING



Do not incinerate the internal battery even if it is severely damaged or is completely worn out. The battery can explode.

Do not disassemble the internal battery or remove any component projecting from the battery terminals. Fire or injury may result. Prior to disposal, protect exposed terminals with heavy insulating tape to prevent shorting.

The internal battery is Lithium-Ion (Li-Ion) and is considered to be a toxic material by the Environmental Protection Agency. Before disposing of damaged or worn out Li-Ion battery, check with your State Environmental Protection Agency to find out about special restrictions on the disposal of the battery, take them to your local recycling center for proper disposal, or call **1-800-822-8837**.

NOTE

The internal battery is not fully charged. Before first use, the battery requires 8-10 hours charge time to be fully charged. Subsequent recharging needs 3-5 hours for the battery to be fully charged.

Always recharge internal battery when tool performance begins to diminish. Severe heat is most destructive to a battery; the more heat generated, the faster the battery loses power. A battery that gets too hot can have a shortened life.

Never over-discharge a battery by using the tool even after tool performance has decreased. Do not attempt to discharge a tool's battery by continuing to pull on the tool trigger. When tool performance begins to diminish, stop the tool and recharge the battery for optimal performance.

Charge internal battery at ambient temperatures between 50° F – 104° F.

Store tool and battery in locations where temperatures will not exceed 120°F. This is important to prevent serious damage to the battery cells.

CHARGER

⚠ WARNING Before using the AC battery charger unit, please read carefully all instructions and cautionary markings on charger, battery and product using battery.

NOTE When the battery is fully charged, the charging process stops and the charging indicator light will automatically turn "OFF".

Use only the charger which accompanied your product or direct replacement as listed in this manual. Do not substitute any other charger. Use only Alltrade approved chargers with your product.

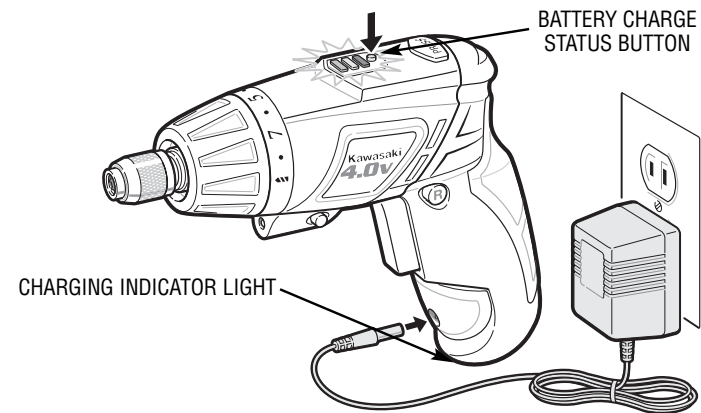
Do not disassemble charger.

Do not use charger if it has been damaged, left outdoors in the rain, snow, wet or damp environments, or immersed in liquid.

When the battery requires recharging, a 3-5 hour charge allows the tool to operate at full power. A charging indicator light on the charger will illuminate to show that charging is taking place.

CHARGING THE SCREWDRIVER BATTERY

The Cordless Screwdriver has a rechargeable state-of-the-art lithium battery. The battery is charged with a charger that is plugged into the screwdriver on the front side of the handle. The charging unit uses common prongs (both prongs are the same) requiring no special polarized or grounded AC receptacles. Both the charger unit and the plug are molded that cannot be opened for repair. To charge the battery on the cordless screwdriver, use the following steps:



1. Plug the charger into a common AC receptacle (120V AC, 60 Hz).
2. Insert the charger plug into the receptacle on the handle.
3. Verify that the charging indicator light is on. The red indicator light turns on while the battery is being charged. If the red light fails to come on, and the Battery Status Indicator lights show the battery needs recharging, check to make sure the AC receptacle is turned on (power present). If the charging indicator light still does not turn on, the problem could be the AC charging unit. Contact Alltrade Customer Service at 1-800-590-3723 (toll free) to purchase a new charger.
4. Observe the Battery Status Indicator Lights located on the top of the Cordless Screwdriver. Directly behind the status indicator lights is a battery test button. Press this button to illuminate the status indicator lights. There is a green, yellow, and red indicator light. If the battery is charged, all three lights will come on. When the battery is low and needs recharging, only the yellow and red light will illuminate. When the battery is too low to operate the screwdriver, only the red light will illuminate.

ASSEMBLY

⚠ WARNING Be aware that this tool is always in an operating condition because it does not have to be plugged into an electrical outlet. Always turn the switch “OFF” before changing bits.

INSTALLING SCREWDRIVER BITS INTO COLLET

⚠ WARNING

Before inserting a screwdriver bit or other accessory, make sure the forward/reverse and trigger lock lever is in the center “OFF” position to prevent accidental starts that may result in injury.

When removing the bit from the tool, avoid contact with skin and use proper protective gloves when grasping the bit or accessory. Accessories may be hot after prolonged use.

1. Pull the quick release collet sleeve back towards the screwdriver.
2. Insert the shank of the bit (or other accessory) fully into the collet.
3. Let the sleeve slide back to lock in the bit.

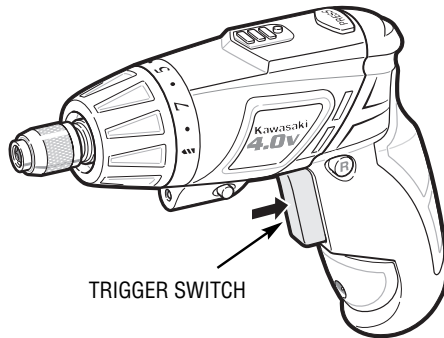
OPERATING THE CORDLESS SCREWDRIVER

⚠ WARNING Never tape the trigger switch down to provide continuous high speed. The tool may fail under such conditions causing fire or personal injury.

TRIGGER SWITCH

THIS TOOL IS CONTROLLED BY A TRIGGER SWITCH:

- To start the Cordless Screwdriver, press the trigger switch.
- Release the pressure and the Cordless Screwdriver will stop.



FORWARD / REVERSE AND TRIGGER LOCK BUTTON

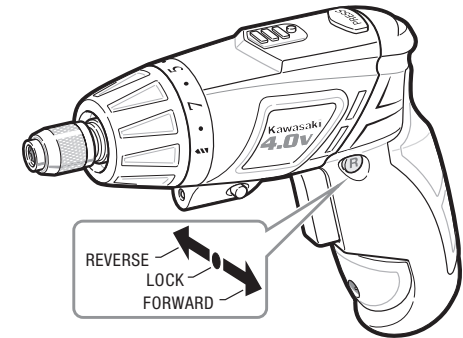
NOTE

Be sure the trigger is released when changing the position of the lever. Always store the tool in the “LOCKED/OFF” position.

Always check the direction of the Cordless Screwdriver’s rotation before use.

TO SELECT THE DIRECTIONS OF ROTATION:

- To select forward Cordless Screwdriver rotation, press the trigger lock from right to left flat against the Cordless Screwdriver body.
- To select reverse, press the trigger lock lever in the opposite direction.
- The center position locks the tool.



TORQUE SETTINGS

NOTE

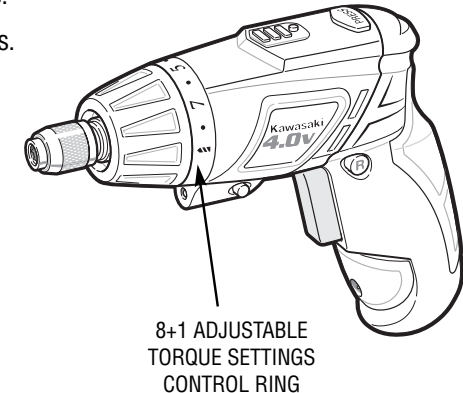
To prevent damaging the tool or driving screw too deep into work piece, release the trigger when you feel the clutch slip.

THE CONTROL RING ADJUSTS THE LEVEL OF TORQUE:

- For light duty work, use lower settings.
- For heavy duty work, use higher settings.

PROPER SETTING FOR DRIVING SCREWS:

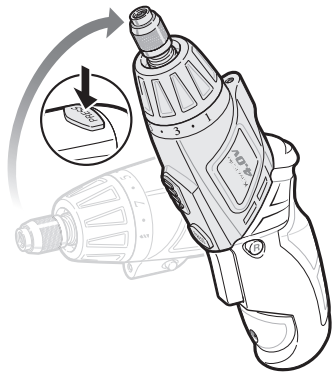
1. Set the ring on the lowest setting to begin.
2. Try tightening the first screw. If the screwdriver drives smoothly, proceed with the next screw.
3. If the screwdriver’s clutch slips, increase the torque setting and try again until the screwdriver drives the screw without incident.



AUTOMATIC SPINDLE LOCK

The Cordless Screwdriver is equipped with an automatic locking system. This feature will lock the bit holder in one position when the trigger switch is released. This will allow you to tighten or loosen a nut or screw by rotating the tool by hand with the switch off. This is convenient when higher turning torque is required.

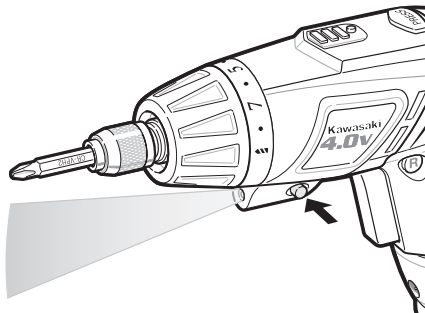
ADJUSTABLE HANDLE



The Cordless Screwdriver features an adjustable handle that can be positioned as a pistol grip or an in-line grip. To change positions, depress handle release button swivel handle to the desired position.

WORKLIGHT

The Cordless Screwdriver comes with a LED Worklight mounted just below the torque setting control ring. This light illuminates the fastener being removed or installed by the screwdriver. To turn on the Worklight, push the black button mounted on the side of cordless screwdriver. When the project is finished, push the button to turn off the light.



MAINTENANCE AND CLEANING

⚠ WARNING No user serviceable parts inside. Preventive maintenance performed by unauthorized personnel may result in misplacing of internal wires and components which could cause serious hazard.

TOOL LUBRICATION

Your screwdriver has been properly lubricated and is ready for use.

⚠ WARNING

To avoid accidents, always disconnect the tool and/or charger from the power supply before cleaning. The tool may be cleaned most effectively with compressed dry air. Always wear safety goggles when cleaning tools with compressed air.

Ventilation openings, switch and switch levers must be kept clean and free of foreign matter. Do not attempt to clean by inserting pointed objects through opening.

⚠ CAUTION

Certain cleaning agents and solvents damage plastic parts. Some of these are: gasoline, carbon tetrachloride, chlorinated cleaning solvents, ammonia and household detergents that contain ammonia.

ACCESSORIES

Use only accessories that are recommended by the manufacturer for your model. Accessories that may be suitable for one tool may become hazardous when used on another tool.

Always attach grounded (3-prong) extension cords to grounded (3-hole) outlets.

If you must use an extension cord, be sure that the gauge is large enough to carry the amount of current necessary for your power tool. If not, your tool may experience a loss of power, excessive voltage drop or overheating. The smaller the gauge number, the heavier the cord (see table on below).

RECOMMENDED SIZES OF EXTENSION CORDS FOR 120 VOLT AC 60 HZ TOOLS

CURRENT RATING IN AMPS		CONDUCTOR SIZE IN A.W.G.			
MORE THAN	NOT MORE THAN	25 FT.	50 FT.	100 FT.	150 FT.
0	6	18	16	16	14
6	10	18	16	14	12
10	12	16	16	14	12
12	16	14	12	NOT RECOMMENDED	

SPECIFICATIONS

SPECIFICATIONS

Voltage	4V ===
No Load Speed	200 RPM
Torque Settings	8+1 Drill
Locking Collet	1/4 In. (6.35mm)
Adapter/Charger	120V ~ 60 Hz
Charging Time	Approx. 3-5 Hours
Battery Type	Lithium-Ion

PROTECTING THE ENVIRONMENT

BATTERIES

Alltrade batteries can be recharged many times. At the end of their useful life, recycle batteries with due care for our environment.

Lithium-Ion (Li-Ion) batteries are recyclable. Take them to your local recycling center or call **1-800-822-8837**. Collected batteries will be recycled or disposed of properly.

OTHER CONSUMER DO-IT-YOURSELF (DIY) TOOLS

Alltrade offers a full range of Kawasaki tools that make DIY jobs easy. If you would like further information on the following products, please contact Alltrade Customer Service Department at 1-800-590-3723.

Cordless Drills/Screwdrivers

Impact Wrenches

Sanders

Jigsaws

Circular Saws

Angle Grinders

Reciprocating Saws

Routers

Rotary Tools

Corded and Cordless Multi-Purpose Tools

Wide Range of Accessories and more

3 YEAR LIMITED HOME USE WARRANTY

Alltrade Tools LLC (hereinafter "Alltrade") expressly warrants to the original retail purchaser of the accompanying KAWASAKI power tool and no one else all parts of the product (except those parts referred to below which are specifically excluded from such warranty (see Exclusions)) to be free from defects in materials and workmanship for a period of three years from original date of purchase, except that such warranty with regard to the battery shall be for a period of two years from the original date of purchase, unless the tool is used for commercial or rental purposes.

SPECIAL WARRANTY NOTE TO CONTRACTORS AND COMMERCIAL USERS: This Kawasaki portable power tool is offered as a home use tool and carries a **HOME USE WARRANTY**. This tool is made for home use in the execution of projects and repairs in and around the home. Use of the tool for **COMMERCIAL PURPOSES OR ON A JOBSITE** is not covered under this warranty.

The date of purchase shall be the date of shipment to the original purchaser, or the date the original purchaser took possession, custody or control of the product, whichever occurred first. This warranty shall be null and void if the product or any component thereof is modified, altered or used for any commercial purpose or on a jobsite. This warranty does not apply to any other product and/or component thereof manufactured or distributed by Alltrade, and does not apply to products and/or components thereof designed, manufactured and/or assembled by others, for which Alltrade makes no warranties whatsoever. **THERE ARE NO WARRANTIES WHICH EXTEND BEYOND THE DESCRIPTION ON THE FACE HEREOF.**

Warranty Performance

By purchasing the product, purchaser expressly acknowledges and agrees that their sole and exclusive remedy under this warranty shall be strictly limited to the repair or replacement of any covered nonconforming items or parts thereof provided that any such nonconforming item and/or part is promptly returned to Alltrade's facility postage pre-paid and insured (address: ALLTRADE Warranty Claims & Repair, 1431 Via Plata, Long Beach, CA 90810, Attn: Customer Service #800-590-3723) within the applicable warranty period, with a written request by purchaser that Alltrade repair and/or replace the nonconforming item and/or part. We recommend that you keep the original product packaging in the event you need to ship the unit. We suggest the package be insured against loss or in transit damage. When sending your product include your name, address, phone number, dated proof of purchase (or copy), and a statement about the nature of problem. Warranty coverage is conditioned upon purchaser furnishing Alltrade with adequate written proof that they are the original purchaser and of the original purchase date. Parts returned, freight prepaid and insured, to Alltrade's facility (see above address) will be inspected and, at Alltrade's option, repaired and/or replaced free of charge if found to be defective and subject to warranty. Alltrade retains the sole discretion to determine whether any item or part is nonconforming and, if so, whether the item and/or part will be repaired and/or replaced. If the unit is repaired, new or

reconditioned replacement parts may be used. If Alltrade chooses to replace the product, it may replace it with a new or reconditioned one of the same or comparable design. The repaired or replaced unit will be warranted under the terms of the remainder of the warranty period. Typically, a defective product that is returned within the first 30 days after the purchase date will be replaced; for items returned after the first 30 days and within the warranty period, covered defective parts not subject to normal wear and tear or other exclusions will be repaired or replaced, at Alltrade's option. During the warranty period, Alltrade will be responsible for the return shipping charges. Alltrade's repair and/or replacement of any non-conforming item and/or part thereof shall constitute fulfillment of all obligations to the purchaser. Alltrade shall not be responsible or liable for any expense, including freight charges, or repairs made outside Alltrade's facility, unless expressly agreed to by Alltrade in writing. Under no circumstances shall Alltrade bear any responsibility for loss of the unit, loss of time or rental, inconvenience, commercial loss or consequential damages.

Exclusions

This warranty does not cover parts damaged due to normal wear, abnormal conditions, misapplication, misuse, abuse, accidents, operation at other than recommended pressures or temperatures, improper storage or freight damage. Parts damaged or worn by operation in dusty environments are not warranted. Failure to follow recommended operating and maintenance procedures also voids warranty.

This limited warranty does not apply to accessory items such as drill bits, screwdriving bits, circular saw blades, jigsaw blades, grinding wheels, sanding sheets and other related items.

DAMAGE TO THE PRODUCT RESULTING FROM TAMPERING, ACCIDENT, ABUSE, NEGLIGENCE, FAILURE TO FOLLOW INSTRUCTIONS, UNAUTHORIZED REPAIRS OR ALTERATIONS, DAMAGE WHILE IN TRANSIT TO OUR SERVICE FACILITY, USE OF UNAPPROVED OR IMPROPER ATTACHMENTS OR ACCESSORIES, COMMERCIAL AND RENTAL APPLICATIONS OR OTHER CAUSES UNRELATED TO PROBLEMS WITH MATERIAL OR WORKMANSHIP ARE NOT COVERED BY THIS WARRANTY.

Alltrade will not be liable for the following: labor charges, loss or damage resulting from improper operation, maintenance or repairs made by other persons; pre-delivery services such as assembly, oil or lubricants, and adjustment; maintenance services that are normally required to maintain the product.

The use of other than genuine Alltrade Repair Parts will void warranty.

Warranty Disclaimers

EXCLUSION AND DISCLAIMER OF ALL OTHER EXPRESS WARRANTIES, GUARANTIES AND/OR REPRESENTATIONS. EXCEPT FOR THE LIMITED WARRANTY PROVIDED ABOVE, ALL OTHER EXPRESS WARRANTIES, GUARANTIES AND/OR REPRESENTATIONS BY ALLTRADE AND/OR ITS REPRESENTATIVE(S) REGARDING THE DESIGN, MANUFACTURE, PURCHASE, USE AND/OR OPERATION OF THE PRODUCT OR ANY COMPONENT THEREOF SOLD HEREUNDER, REGARDLESS OF WHETHER ANY SUCH WARRANTY, GUARANTY AND/OR REPRESENTATION, WRITTEN OR ORAL, ARISES BY OPERATION OF LAW AND/OR EQUITY AND/OR BY ANY ACT OR OMISSION OF ALLTRADE AND/OR ITS REPRESENTATIVE(S), OR THE BUYER, ARE HEREBY EXPRESSLY EXCLUDED AND DISCLAIMED BY ALLTRADE AND/OR ITS REPRESENTATIVES. PURCHASER KNOWINGLY AND WILLINGLY WAIVES ANY AND ALL SUCH WARRANTIES AND RIGHTS, CLAIMS AND/OR CAUSES OF ACTION ARISING THEREFROM OR BASED THEREON. PURCHASER'S SOLE AND EXCLUSIVE REMEDY IS AS STATED ABOVE.

EXCLUSION AND DISCLAIMER OF ALL IMPLIED WARRANTIES, INCLUDING THE IMPLIED WARRANTIES OF MERCHANTABILITY AND FITNESS FOR A PARTICULAR PURPOSE. NO WARRANTY, ORAL OR WRITTEN, OTHER THAN THE ABOVE WARRANTY IS MADE WITH REGARD TO THIS PRODUCT. ALL EXPRESS AND/OR IMPLIED WARRANTIES, GUARANTIES AND/OR REPRESENTATIONS BY ALLTRADE AND/OR ITS REPRESENTATIVE(S) REGARDING THE DESIGN, MANUFACTURE, PURCHASE, USE AND/OR OPERATION OF THE PRODUCT OR ANY COMPONENT THEREOF SOLD HEREUNDER, REGARDLESS OF WHETHER ANY SUCH WARRANTY, GUARANTY AND/OR REPRESENTATION, WRITTEN OR ORAL, ARISES BY OPERATION OF LAW AND/OR EQUITY AND/OR BY ANY ACT OR OMISSION OF ALLTRADE AND/OR ITS REPRESENTATIVE(S), OR THE PURCHASER, INCLUDING BUT NOT LIMITED TO THE IMPLIED WARRANTY OF MERCHANTABILITY AND THE WARRANTY OF FITNESS FOR A PARTICULAR PURPOSE, ARE HEREBY EXPRESSLY EXCLUDED AND DISCLAIMED BY ALLTRADE AND/OR ITS REPRESENTATIVES. PURCHASER KNOWINGLY AND WILLINGLY WAIVES ANY AND ALL SUCH WARRANTIES AND RIGHTS, CLAIMS AND/OR CAUSES OF ACTION ARISING THEREFROM OR BASED THEREON. PURCHASER'S SOLE AND EXCLUSIVE REMEDY IS AS STATED ABOVE.

Limitation Of Liability

IN NO EVENT SHALL ALLTRADE AND/OR ITS REPRESENTATIVE(S) BE LIABLE FOR INDIRECT, INCIDENTAL, SPECIAL AND/OR CONSEQUENTIAL DAMAGES OF ANY KIND ARISING OUT OF OR RELATED TO, DIRECTLY OR INDIRECTLY, ANY BREACH OF ANY PROVISION OF ANY AGREEMENT BETWEEN ALLTRADE AND/OR ITS REPRESENTATIVE(S) AND PURCHASER, ANY WARRANTY HEREUNDER, AND/OR THE EXISTENCE, DESIGN, MANUFACTURE, PURCHASE, USE AND/OR OPERATION OF ANY ITEM(S) SOLD HEREUNDER EVEN IF ALLTRADE AND/OR ITS REPRESENTATIVE(S) HAS BEEN ADVISED OF THE POSSIBILITY OF ANY SUCH

DAMAGES. IN NO EVENT, WHETHER AS A RESULT OF A BREACH OF CONTRACT, WARRANTY, TORT (INCLUDING NEGLIGENCE) OR OTHERWISE, SHALL ALLTRADE'S AND/OR ITS REPRESENTATIVE(S)' LIABILITY EXCEED THE PRICE OF THE PRODUCT. ANY AND ALL LIABILITY CONNECTED WITH THE USE OF THIS PRODUCT SHALL TERMINATE UPON THE EXPIRATION OF THE WARRANTY PERIODS SPECIFIED ABOVE.

Limitations on Warranty Disclaimers

Some states do not allow limitations on how long an implied warranty lasts and some states do not allow the exclusion or limitation of the incidental or consequential damages, so part or all of the above limitations or exclusions may not apply to you. This warranty gives you specific legal rights, and you may also have other rights which vary from state to state.

If your product is not covered by this warranty, please call our Customer Service Department toll free at 1-800-590-3723 for general repair information and charges.

Free Manuals Download Website

<http://myh66.com>

<http://usermanuals.us>

<http://www.somanuals.com>

<http://www.4manuals.cc>

<http://www.manual-lib.com>

<http://www.404manual.com>

<http://www.luxmanual.com>

<http://aubethermostatmanual.com>

Golf course search by state

<http://golfingnear.com>

Email search by domain

<http://emailbydomain.com>

Auto manuals search

<http://auto.somanuals.com>

TV manuals search

<http://tv.somanuals.com>