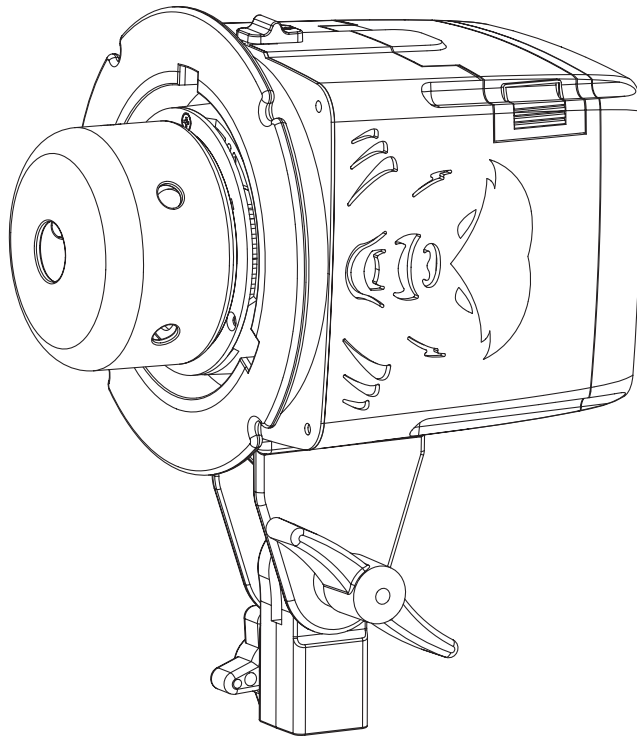


# BADGER UNLEASHED

**BATTERY-POWERED 250Ws TTL/HSS FLASH**

Instruction Manual



# **Badger Unleashed Battery-Powered 250Ws TTL/HSS Flash**

## **What's cool about the Badger Unleashed?**

Building off the success of the Honey Badger, the Badger Unleashed shreds the restraints of an AC power cable and now roams free thanks to a drop-in Lithium-Ion battery. Add in High-Speed Sync and TTL capabilities, a 1.5sec recycle time at full power, and the Badger Unleashed becomes a fearless shooting companion and the ultimate on-the-go flash head!

The Badger Unleashed is a direct response to customer requests for a light with the compact form factor of the Honey Badger and the mobility and high-tech functionality of the S1. We packed 250Ws of power, a 15W LED modeling lamp, an in-line battery into a small body with HSS and TTL in addition to a new stroboscopic mode (with Gen. 2 remotes, 2020) for the most versatile Badger yet! This all comes in the bold yellow color you know, but with new design changes for an unmistakably Interfit experience.

## **How do I keep my Badger Unleashed and myself safe?**

1. Always keep this product away from rain or dampness to avoid fire or electric shock.
2. This product contains high-voltage electronic parts. Touching the high-voltage circuit inside it may result in electric shock and/or product failure. Do not disassemble. Tampering with your flash unit will void the warranty. Should repairs become necessary, this product must be sent to a certified Interfit repair facility - contact support for more details.
3. Stop using this product immediately if it breaks open due to explosion, falling, or impact. Continued use may result in electric shock and/or further product damage.
4. Do not fire the flash directly into the eyes (especially those of babies) within short distances. Otherwise visual impairment may occur.
5. Do not use this flash unit in the presence of flammable gases, chemicals and/or other flammable materials. In certain circumstances, these materials may be sensitive to the strong light emitting from this flash unit and fire or electromagnetic interference may result.
6. Do not leave unattended or store this flash unit if the ambient temperature is over 120°F/50°C (e.g. in a vehicle). Prolonged exposure to excessive heat may damage electrical components.

## **How does Interfit protect my Badger Unleashed?**

Your Badger Unleashed is protected by a one-year warranty against manufacturer defects. Warranty does not cover consumables, such as the flash tube, battery or glass dome.

You can reach Interfit Photographic Ltd. for customer service at:

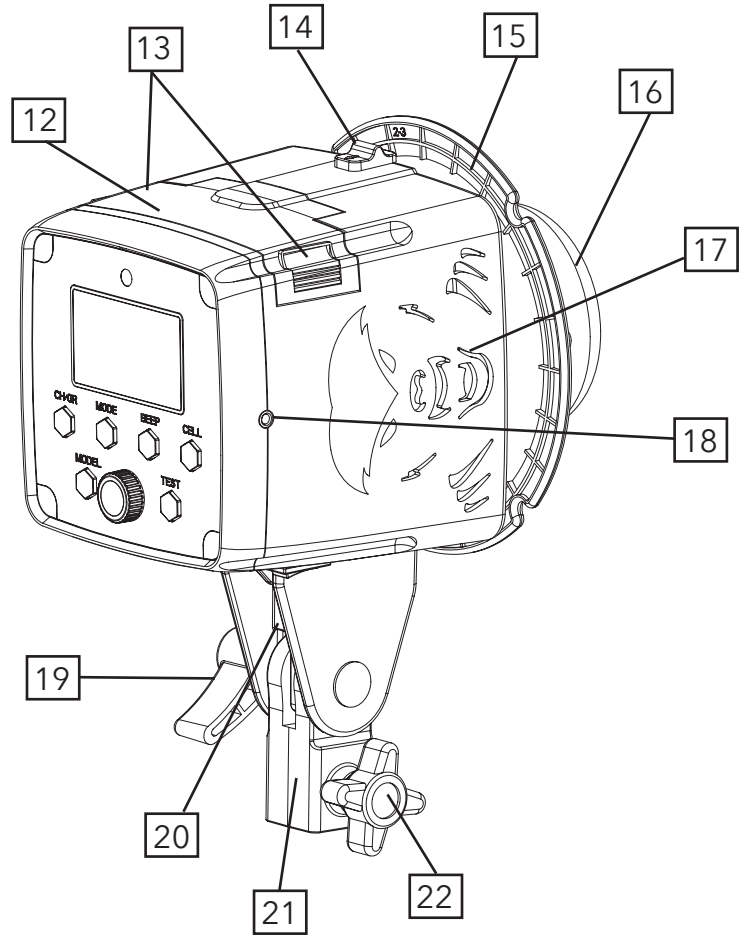
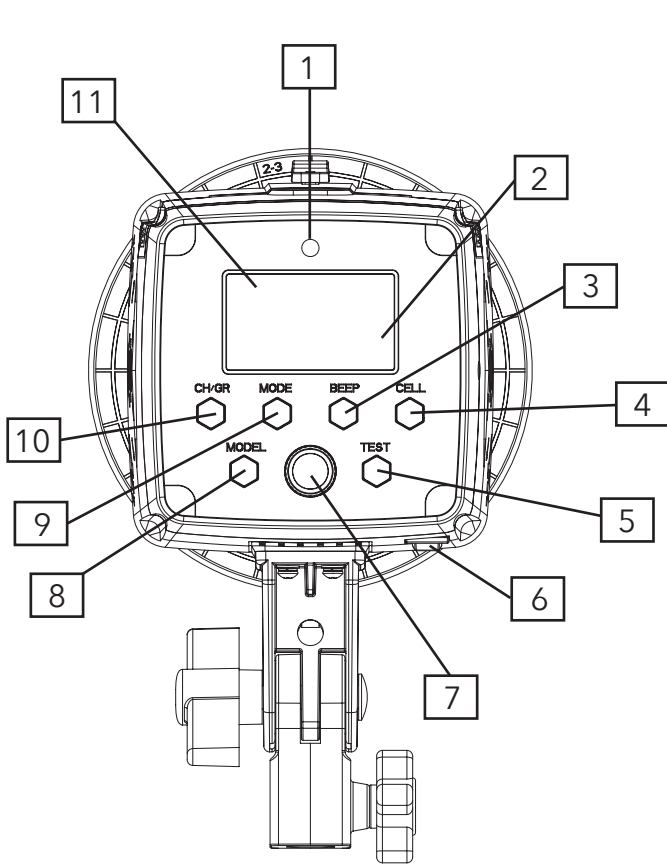
Interfit Photographic USA  
1 (866) 947-9796  
support@interfitphotographic.com

Interfit Photographic UK  
+44 (0) 121-522-4800  
sales@interfitphotographic.com

## Table of Contents

Badger Unleashed Overview.....	3
Accessorizing the Badger Unleashed.....	4
Protective Cap.....	4
Bowens® Mount Modifiers.....	4
Softboxes.....	4
Umbrellas.....	5
Sync Cable.....	5
Remote.....	5
Third-Party Remotes.....	5
Using the Badger Unleashed.....	6
Powering On/Off.....	6
Adjusting the Flash Power.....	6
Using the Modeling Lamp.....	6
Setting Channels & Groups.....	6
Beep Button.....	7
Optical Slave Cell.....	7
Shooting Modes.....	7
Sync Modes.....	7
Using High-Speed Sync (HSS).....	7
Using Through-The-Lens (TTL) Metering.....	8
Charging the Battery.....	8
Mounting to a Light Stand.....	8
Replacing the Flash Tube and Frosted Glass Dome.....	8
Firmware Updates.....	8
Badger Unleashed Specifications.....	9

# Badger Unleashed Overview



1. Optical Slave Cell
2. LCD Battery Indicator
3. Beep Button
4. Cell Button
5. Flash Test Button
6. On/Off Switch
7. Power / Select Dial
8. Modeling Lamp Button
9. Flash Mode Button
10. Channel & Group Button
11. LCD Display

12. Li-Ion Battery Pack
13. Battery Quick-Release Tabs
14. Modifier Quick-Release
15. Bowens S-Type / Pop-Up Mount
16. Glass Dome, Flash Tube and LED
17. Cooling Vents
18. Sync Port
19. Ratcheting Tilt-Lock
20. Umbrella Tension Mount
21. Light Stand Mount
22. Stand Mount Knob

# Accessorizing the Badger Unleashed

## Protective Cap

Every Badger Unleashed flash head includes a protective end cap. The end cap offers protection to the glass dome, flash tube, and LED modeling lamp during transportation and storage.

To remove the protective cap, pull back on the modifier quick-release on the top of the flash unit to release the mount lock. While holding back the release button, twist the cap counter-clockwise.

To place the protective cap back on the flash unit, insert the three prongs of the end cap into the mount and rotate clockwise until you hear a click.

## Bowens® Mount Modifiers

Modifying the light from your Badger Unleashed is key to creating dynamic images. The Badger Unleashed can be used with any light modifier with a Bowens® S-Type mount.

To attach a Bowens® mount modifier to the Badger Unleashed, simply insert the three prongs of the modifier ring into the mount and rotate clockwise until you hear a click. To remove the modifier, pull back on the modifier quick-release on the top of the flash unit to release the mount lock and rotate the modifier counter-clockwise.

## Pop-Up Mount Softboxes

The Badger Unleashed utilizes Interfit's proprietary Badger-Series hybrid mounting system that fits both softboxes with Bowens® S-Mount speedrings, as well as speedlight-style pop-up softboxes.

To attach a pop-up style softbox to the light, simply insert the glass dome of the flash into the hole at the back of the softbox and place one of the four panel corners at the rear of the softbox onto the black lip of the light's mounting ring. Then, work your way around, stretching the next panel over the lip, and then the next until all four corners are seated on the black lip and the glass dome is fully inserted into the box.

*Interfit offers a variety of light modifiers as well as various branded speedrings to make your favorite modifiers compatible with our lighting systems. Visit our website below for more information!*

# Accessorizing the Badger Unleashed

## Umbrellas

Umbrellas are the most widely used modifiers in photography. Their ease-of-use and versatility makes them quick to master; a go-to modifier in many situations.

Umbrellas can be mounted to the Badger Unleashed using the umbrella tension mount on the bottom of the flash unit. The shaft mount can accommodate the wide variety of Interfit brand umbrellas and parabolic umbrellas as well as most umbrellas up to a 3/8" (8mm) diameter pole. Simply push the end of the umbrella shaft into the umbrella tension mount hole until it slides through - the tension lock will hold it in place.

## Sync Cable

Sync cables allow the flash to be triggered by the camera via physical tethered connection. While sync cables are the most economical way to trigger a flash, they will not allow you to make any adjustments to the flash from the camera. They will also not allow you to use HSS or TTL.

A sync cable is included with your Badger Unleashed and can be plugged into the sync port on the rear right side of the flash unit and the corresponding sync port on your camera. To connect the cable to the light, insert the 3.5mm (headphone jack) plug into the sync port on the light. Take the other end of the cable and connect it to the PC terminal on your camera (\*consult your camera user manual to locate the PC terminal on your camera. Some camera models do not have a PC port and may require a separate adapter).

## Remotes

The Badger Unleashed is compatible with all Interfit TTL Remotes as well as the Interfit Manual Remote.\* Using these remotes allows you to control all functions of the light wirelessly, though only the Interfit TTL remotes will be able to activate and control the TTL and HSS functions of the Badger Unleashed. The Interfit TTL remotes are brand-specific and must correspond to the brand of camera being used. This remote mounts to your camera's hot shoe and communicates to the Badger Unleashed unit without an additional receiver. *Interfit Remotes are sold separately.*

\*Compatible remotes include:

- Interfit TTL Remote for Canon
- Interfit TTL Remote for Nikon
- Interfit TTL Remote for Sony
- Interfit Manual Remote (manual mode only)



## Third Party Remotes

The Badger Unleashed is compatible with all third-party remotes using a receiver via sync cable. While these remotes ie. PocketWizard or Yongnuo, will allow you to trigger the Badger Unleashed, they will **not** allow you to make any power adjustments from the camera or use TTL or HSS. All power adjustments must be done manually through the back of the light when using third-party remotes.

# Using the Badger Unleashed

## Powering On/Off

To power on your light, simply insert the battery to the battery compartment of the flash head until it clicks and flip the power switch from "O" to "I".

**WARNING:** If the light displays a "P1" error code on the screen, the light is overheating and must be turned off for at least 15 minutes to allow the internal components to cool down.

## Adjusting the Flash Power

Your Badger Unleashed is packed with 250Ws of power. This power is adjustable over a 9-stop range and can be adjusted in 1/10th of a stop intervals. Use the power adjustment dial on the back of your Badger Unleashed to adjust the power from 10.0 (full power) to 2.0 (lowest power) in manual mode. Power is displayed on the LCD screen. When in HSS mode, the power will only adjust from 10.0 (full power in HSS) to 8.0 (lowest power in HSS).

TEST



### Using the Test Function

The "TEST" button will illuminate blue when the flash is charged and ready for use. The blue indicator light will turn off immediately after the flash has fired, and turn on again once the light has fully recycled. Recycle is also indicated by an audible beep when the "BEEP" function is enabled.

MODEL



### Using the Modeling Lamp

To use the 15W LED modeling lamp, press the "MODEL" button on the back interface of the Badger Unleashed to toggle through two different modeling lamp modes or turn it off.

- PROP - Toggle the modeling lamp to match proportionally with the flash power.
- FULL - Toggle the modeling lamp to use the modeling lamp on 100% power.

CH/GR



### Setting Channels and Groups\*

**\*Setting the control channel or group is only necessary when using the Interfit remotes. If you are using a third-party radio system or optical slave, you can skip this section. When using the Manual remote or Gen. 2 TTL remotes (2020) 15 channels will show, but only the first 8 can be used with Gen. 1 TTL remotes.**

Having 15 unique radio control channels allows you to use your lights in close proximity with another photographer without interfering with one another. Press the "CH/GR" button to toggle between channel selection and group selection modes. When the channel or group blinks on the LCD screen, you will be able to turn the selection dial left or right to choose a new group or channel. When you reach the desired setting, press the "CH/GR" button again until neither the channel nor group flashes and they both are solid. Make sure the channel and group selected on your Badger Unleashed matches the selected channel and group on your Interfit remote when you wish to change the settings for that light remotely.

# Using the Badger Unleashed

BEEP



## Beep Button

Press the "BEEP" button to turn on or off the beeping sound for button presses, flash power adjustments, and flash refresh notifications.

CELL



## Optical Slave Cell

The Optical Slave Cell allows the Badger Unleashed to be triggered from the flash pulse of another unit. Press the "CELL" button to toggle on and off the Optical Slave Cell.

**NOTE:** Using the Optical Slave Cell requires direct line-of-sight between the lights. The Optical Slave Cell can only be used in Manual mode in moderate to low ambient light.

MODE



## Shooting Modes

When shooting with the Interfit TTL remote, select from a manual shooting mode or the TTL (Through-The-Lens) mode. Press the button beneath "MODE" on the TTL remote to toggle between shooting modes.

## Sync Modes

When shooting with the Interfit TTL remote, select from three different sync modes. Press the button beneath "SYNC" to toggle the sync mode to first curtain, second curtain, or HSS.

**NOTE:** Nikon users switch between 1st and 2nd-curtain sync via the camera and enable HSS by increasing the shutter speed on their camera with the flash sync mode set to "Auto FP". Sony users must set their camera flash mode to "Wireless Flash" for the remote to communicate properly with the camera.

## Using HSS (High-Speed Sync)

Use the Interfit TTL remote to toggle the shooting mode of your Badger Unleashed to "HSS". This shooting mode will allow you to use shutter speeds of up to 1/8000 sec. and trigger the flash. The power range readout will change to 8.0-10.0. These output levels do not directly correlate with the 8.0-10.0 flash in manual mode. There will be a noticeable decrease in flash output, as the Badger Unleashed will divide the power into a series of lower power flashes to allow for correct exposures at high shutter speeds.



## Using TTL (Through-The-Lens Metering)

TTL (Through-The-Lens Metering) is an automatic flash exposure that is predetermined by your camera's settings and internal light meter. TTL is most useful in rapidly changing lighting environments.

When the TTL shooting mode is selected with the Interfit TTL remote, power adjustment on the remote will change to a +/- display. The light output will be automatically set by the camera but can be fine-tuned using exposure compensation. Exposure compensation can be set using the +/- power buttons on the remote. Adjustments can be made in 1/10th stop increments up to +3 or -3 stops.

## Charging the Battery

To check the amount of charge left on the battery, turn the light on with the battery inserted to view the battery level indicator on the Badger Unleashed LCD screen.

To charge the battery, remove it from the light by pressing together the tabs on both sides of the battery and lifting straight up. Plug the included battery charger into the battery. Then plug the charger into a wall outlet to charge. There will be no indicator on the battery while charging, but the light on the charger will light up red while charging and green when charge is completed. A full charge will take about 90 minutes.

**NOTE:** Only use the included battery charger with your Badger Unleashed battery. Using other brand chargers could damage the battery.

## Mounting to a Light Stand

Your Badger Unleashed will mount to most standard light stands with a 5/8" stud. Unscrew the Stand Mount Knob until the mount fits onto the light stand. Make sure to turn the Stand Mount Knob until tight.

Use the Ratcheting Tilt-Lock to adjust the angle of the light on the stand. Once loosened, simply push the light in the direction you want to tilt and it will click into place in increments. The resistance of the Ratcheting Tilt-Lock provides extra security when using large, heavy modifiers.

## Replacing the Flash Tube and Frosted Glass Dome

Both the flash tube and frosted glass dome are user-replaceable.\* Replacement parts can be purchased direct through the Interfit website or via a certified Interfit dealer.

*\*The oil from your fingers will damage flash tubes. Be sure to handle new flash tubes with gloves or a clean cloth. Always use caution when handling broken glass.*

## Firmware Updates

In order to ensure proper communication between the Badger Unleashed, your TTL remote, and your camera, make sure the firmware on **both your light AND remote** are updated to the most recent version. The newest firmware updates are available in the support section of the Interfit website.

To check the firmware version on your light, power the light off, press and hold the "TEST" button, and power the light back on. A number (1.5, 2.0, etc.) will appear on the LCD readout that corresponds to the firmware version. To see which version of firmware your remote is using: power the remote on and press and hold the "MODE" button. A letter and number (b 01, b 02) will appear on the LCD readout that corresponds to the firmware version.

# Badger Unleashed Specifications

Max Watt Seconds	250Ws
Power Range	9-Stops (250Ws - 1Ws)
Variability	1/10th stop increments
Recycle Time	1.5 seconds at full power
Color Temperature	5500 ±100K
Modeling Lamp	15W/5500K, 90+ CRI
Wireless Control	Built-in receiver
Shooting Mode	Manual, TTL, HSS, Multi (w/ Gen. 2 TTL remotes, 2020)
Max Sync Speed	1/250 sec. normal sync, 1/8000 sec. in HSS
Multi (Stroboscopic) Mode	Up to 90 flashes at 99Hz
Channels	15* (1-15) *8 when using Gen. 1 TTL remotes
Groups	5* (A, B, C, D, E) *3 when using Gen. 1 TTL remotes
Battery Type	14.8V, 2900mAh lithium-ion cell
Battery Life	430 full-power flashes
Temperature Regulation	Passive cooling vents
Umbrella Mount	Fits umbrella shafts up to 5/8" (8mm)
Dimensions	5" x 5" x 7" (12.7 x 12.7 x 17.8cm)
Weight	3.9 lbs (1.8kg)

## Free Manuals Download Website

<http://myh66.com>

<http://usermanuals.us>

<http://www.somanuals.com>

<http://www.4manuals.cc>

<http://www.manual-lib.com>

<http://www.404manual.com>

<http://www.luxmanual.com>

<http://aubethermostatmanual.com>

Golf course search by state

<http://golfingnear.com>

Email search by domain

<http://emailbydomain.com>

Auto manuals search

<http://auto.somanuals.com>

TV manuals search

<http://tv.somanuals.com>