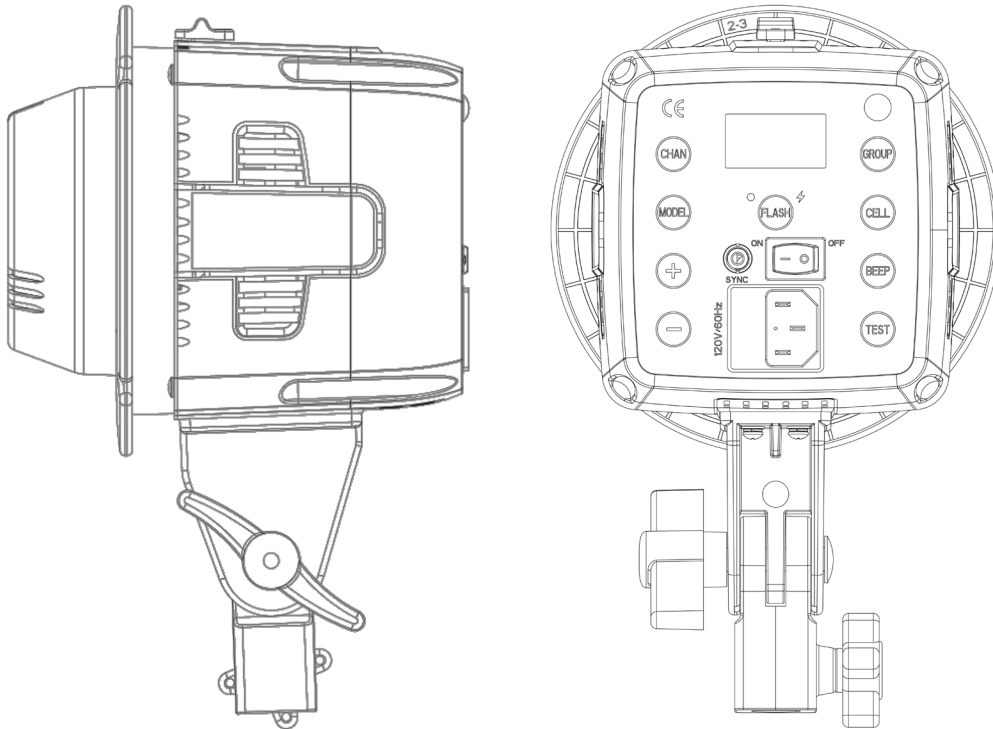


HONEY BADGER

320Ws Digital Flash

Instruction Manual



Honey Badger 320 Digital Flash

What's cool about the Honey Badger?

The Honey Badger is the perfect tool for any shoot, and at 320Ws and only 3lbs, it's a real force to be reckoned with. The aggressive flash recycle time ensures you are ready to strike at the right moment, while the expanded 7-stop power range gives you the versatility and precision you need to attack any shoot. Remote control of the Honey Badger streamlines setup and operation, allowing you to remain focused on your work. The ultra bright modeling lamp is softened with the frosted glass outer dome and will conveniently light your photos and videos. The included 24-inch Pop-Up softbox fits perfectly around the versatile modifier ring on the flash unit so you are ready to shoot right out of the box.

With all of these features in addition to a Bowens® modifier mount, sync port for additional remotes, a wide range of channels and groups and a lightweight compact form, the Honey Badger is ready to go to any of your shoots with power and control.

How do I keep my Honey Badger and myself safe?

1. Always keep this product away from rain or dampness to avoid fire or electric shock.
2. This product contains high-voltage electronic parts. Touching the high-voltage circuit inside it may result in electric shock and/or product failure. Do not disassemble. Tampering with your flash unit will void the warranty. Should repairs become necessary, this product must be sent to a certified Interfit repair facility - contact support for more details.
3. Stop using this product immediately if it breaks open due to explosion, falling, or impact. Continued use may result in electric shock and/or further product damage.
4. Do not fire the flash directly into the eyes (especially those of babies) within short distances. Otherwise visual impairment may occur.
5. Do not use this flash unit in the presence of flammable gases, chemicals and/or other flammable materials. In certain circumstances, these materials may be sensitive to the strong light emitting from this flash unit and fire or electromagnetic interference may result.
6. Do not leave unattended or store this flash unit if the ambient temperature is over 120°F/50°C (e.g. in a vehicle). Prolonged exposure to excessive heat may damage electrical components.

How does Interfit Protect my Honey Badger?

Your Honey Badger is protected by a one-year warranty against manufacturer defects. Warranty does not cover consumables, such as the flash tube or glass dome.

You can reach Interfit Photographic Ltd. for customer service at:

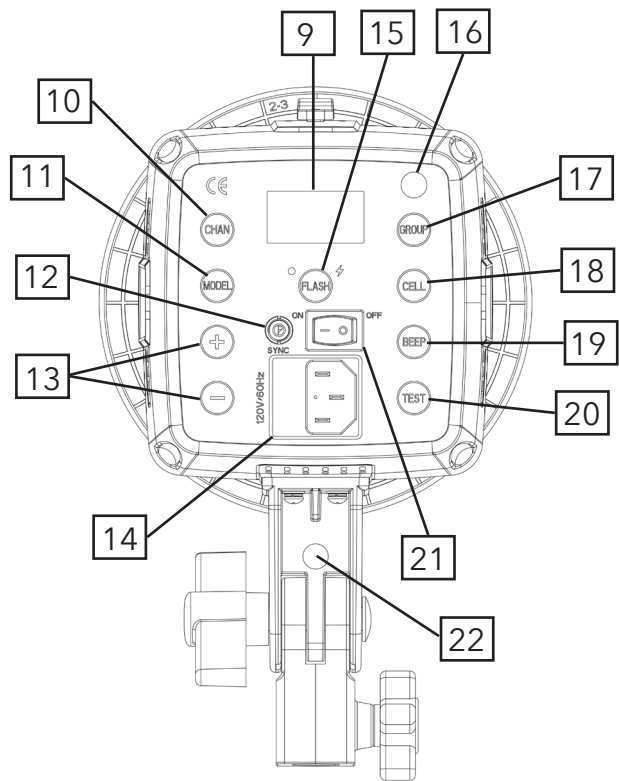
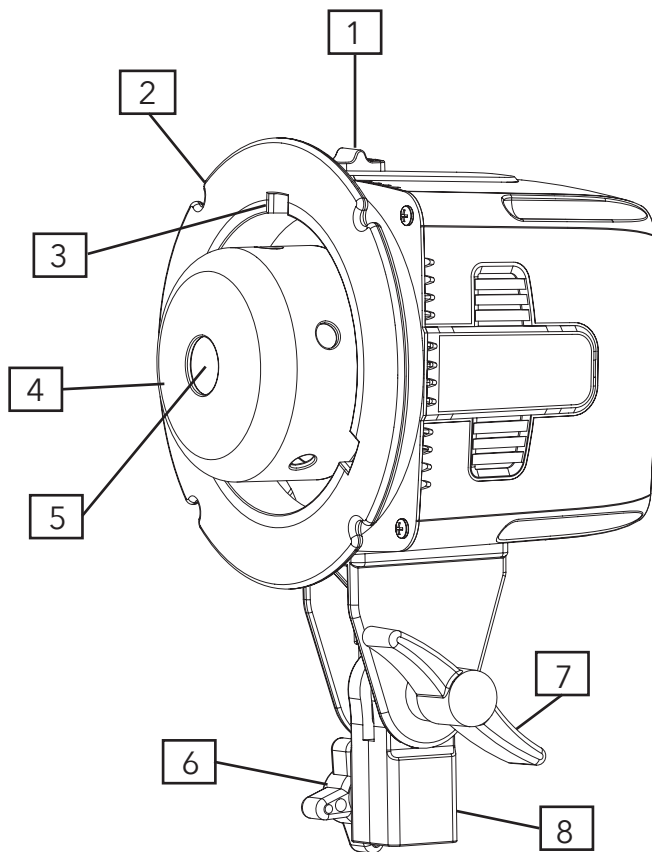
Interfit Photographic USA
1 (866) 947-9796
support@interfitphotographic.com

Interfit Photographic UK
+44 (0) 121-522-4800
sales@interfitphotographic.com

Table of Contents

Honey Badger Overview.....	3
Accessorizing the Honey Badger.....	4
Protective Cap.....	4
Bowens® Mount Modifiers.....	4
Softboxes.....	4
Umbrellas.....	5
Sync Cable.....	5
Remote.....	5
Using the Honey Badger.....	6
Powering Up the Honey Badger.....	6
Adjusting the Power.....	6
Turning off the Flash Function.....	6
Using the Modeling Lamp.....	6
Setting Channels.....	6
Setting Groups.....	7
Beep Button.....	7
Optical Slave Cell.....	7
Mount to Light Stand.....	7
Interfit 24" (60cm) Pop-Up Softbox.....	7
Replacing the Flash Tube and Frosted Glass Dome.....	7
Honey Badger Specifications.....	8

Honey Badger Overview



1. Modifier Quick-Release
2. Pop-Up Softbox Ring
3. Bowens® S-Type Mount
4. Frosted Glass Dome
5. Flash Tube and LED Lamp
6. Stand Mount Lock
7. Ratcheting Tilt Lock
8. Light Stand Mount

9. LCD Display Screen
10. Channel Selection
11. Modeling Light Button
12. Sync Port
13. Flash Power Up/Down
14. AC Power Port
15. Flash Toggle Button
16. Optical Slave Cell
17. Group Selection
18. Cell Button
19. Beep Button
20. Flash Test Button
21. On/Off Switch
22. Umbrella Mount

Accessorizing the Honey Badger

Protective Cap

Every Honey Badger flash head includes a protective cap. This cover offers protection to the glass dome, flash tube, and LED modeling lamp during transportation and storage.

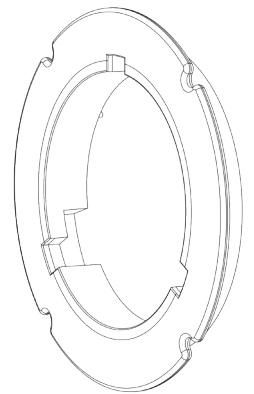
To remove the protective cap, pull back on the modifier quick release on the top of the flash unit to release the mount lock. While holding back the release button, twist the protective cap counter-clockwise.

To replace the protective cap back on the flash unit, insert the three prongs of the cap into the mount and rotate clockwise until you hear a click.

Bowens® Mount Modifiers

Modifying the light from your Honey Badger is key to creating dynamic images. The Honey Badger can be used with any light modifier with a Bowens® mount.

To attach a Bowens® mount modifier to the Honey Badger, simply insert the three prongs of the modifier ring into the mount and rotate clockwise until you hear a click. To remove the modifier, pull back on the modifier quick release on the top of the flash unit to release the mount lock and rotate the modifier counter-clockwise.



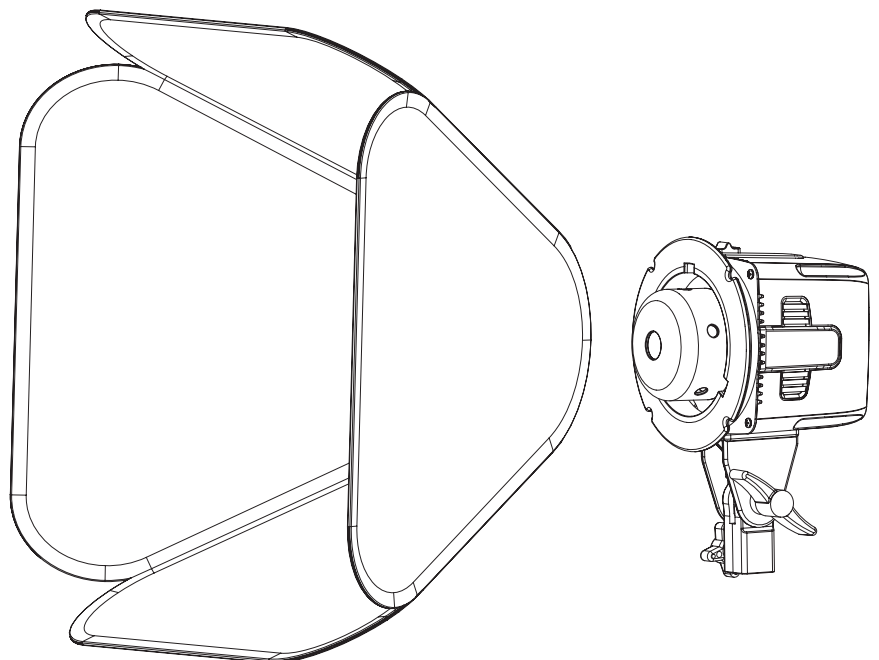
Softboxes

The variety of softbox shapes and sizes allow for endless lighting possibilities. The Honey Badger utilizes a unique mounting system that fits softboxes with Bowens® mount speedrings as well as pop-up softboxes.

Pop-up softboxes (such as the one included in this kit) hold to the outside of the ring mount. Simply pull the four sides of the light opening of your softbox around the outside of the mount ring and tension will hold it.

To attach a softbox with a Bowens® mount speedring, simply insert the three prongs of the speedring into the mount and rotate clockwise until you hear a click. To remove the softbox, pull back on the modifier quick-release on the top of the flash unit to release the mount lock and rotate the softbox counter-clockwise.

Interfit offers a variety of light modifiers as well as Bowens® speedrings to make your favorite modifiers compatible.



Accessorizing the Honey Badger

Umbrellas

Umbrellas are the most widely-used modifiers in photography. Their ease-of-use and versatility makes them quick to master; a go-to modifier in many situations.

Umbrellas can be mounted to the Honey Badger using the umbrella shaft mount on the bottom of the flash unit. The shaft mount can accommodate the wide variety of Interfit brand umbrellas and parabolic umbrellas as well as most umbrellas up to a 3/8" (8mm) diameter pole.

Sync Cable

Sync cables allow the flash to be triggered by the camera via physical tethered connection. While sync cables are the most economical way to trigger a flash, they will not allow you to make any adjustments to the flash from the camera.

A sync cable is included with your Honey Badger and can be plugged into the sync port on the back of the flash unit and the corresponding sync port on your camera. To connect the cable to the light, insert the 3.5mm (headphone jack) plug into the sync port on the back of the light, just to the left of the power switch. Take the other end of the cable and connect it to the PC terminal on your camera (*consult your camera user manual to locate the PC terminal on your camera. Some camera models do not have a PC terminal and may require a separate adapter).

Remote

The Honey Badger is compatible with all Interfit Remotes. Using these remotes allows you to control all functions of the light wirelessly. This remote mounts to your camera's hot shoe and communicates to the Honey Badger unit without an additional receiver. Interfit Remotes are sold separately.

**Compatible remotes include:*

- Interfit TTL Remotes for Canon, Nikon, & Sony (manual only)*
- Interfit Manual Remote*



Using the Honey Badger

Powering Up the Honey Badger

Insert the included 13' power cable into the back of the unit and place the plug into a 110V/ 60Hz (220V/50Hz) grounded power outlet. Activate power with the ON/OFF switch on the back control panel of the flash head.

WARNING: If the light displays a "P1" error code on the screen, the light is overheating and must be turned off for at least 15 minutes to allow the internal components to cool down.

Using the Test Function

The "TEST" button will illuminate blue when the flash is charged and ready for use. The blue indicator light will turn off immediately after the flash has fired, and turn on again once the light has fully recycled. Recycle is also indicated by an audible beep when the "BEEP" function is enabled.

Adjusting the Power

Your Honey Badger is packed with 320Ws of power. This power is adjustable over a 7-stop range and can be adjusted in 1/10th of a stop intervals. Use the + and - buttons on the back of your Honey Badger to adjust the power from 10.0 (full power) to 4.0 (lowest power). Power is displayed on the LCD screen.

Turn off the Flash Function

To take advantage of your modeling lamp function without triggering the flash, press the "FLASH" button. This will turn on and off the flash function of the light, but keep the modeling lamp function available. This function is ideal when using the LED modeling lamp of one Honey Badger to light your subject, and mixing it with the flash of another Honey Badger.

Using the Modeling Lamp

To use the 60W LED modeling lamp, press the "MODEL" button on the back interface of the Honey Badger to toggle through two different modeling lamp modes or turn it off.

- **Proportional Mode** - Toggle the modeling lamp mode to "PROP". When used in proportional mode, the intensity of the modeling lamp will increase and decrease according to the flash power. This is useful when creating lighting ratios with multiple lights. Use the + and - buttons to adjust the modeling lamp brightness even when flash is turned off.
- **Full Mode** - Toggle the modeling lamp mode to "FULL". This will turn the modeling lamp on to full power.

Setting Channels

Having 15 unique radio control channels allows you to use your lights in close proximity with another photographer without interfering with one another. Press the "CHANNEL" button to toggle through the 15 available isolated control channels. Make sure the channel selected on your Honey Badger matches the selected channel on your Interfit remote.

NOTE: Setting the control channel is only necessary when using Interfit remotes. If you are using a third-party radio or optical slave, you can skip this. When using an Interfit TTL remote, only channels 1-8 are available.

GROUP Setting Groups

Setting the control group allows you to independently control the power of each light in your studio without affecting your other lights. Your Honey Badger can be set to eight different control groups (A-H). Press the "GROUP" button to assign your light to it's own group.

NOTE: Setting the control group is only necessary when using Interfit remotes. If you are using a third-party radio or optical slave, you can skip this section. When using an Interfit TTL remote, only groups A-C are available.

BEEP Beep Button

Press the "BEEP" button to turn off the audible sound for buttons, power adjustments and refresh notifications.

NOTE: When using an Interfit remote, the beep will sound if you attempt to lower the power below 4.0, regardless of whether the beep function has been turned off.

CELL Optical Slave Cell

When using a multiple-light setup with your Honey Badger and a sync cord or a third-party remote, turn on the "CELL" button to activate the optical slave function. This will allow the light to be triggered by the light of your other flashes.

NOTE: The optical slave cell requires direct line of sight between lights.

Mounting to a Light Stand

Your Honey Badger 320 will mount to most standard light stands with a 5/8" stud. Unscrew the Stand Mount Tightening Knob until the mount fits onto the light stand. Make sure to turn the Mount Knob until tight.

Use the Ratcheting Adjustment handle to adjust the angle of the light on the stand. The resistance of the Ratcheting Adjustment handle provides extra security when using large, heavy modifiers.

Interfit 24" (60cm) Pop-Up Softbox

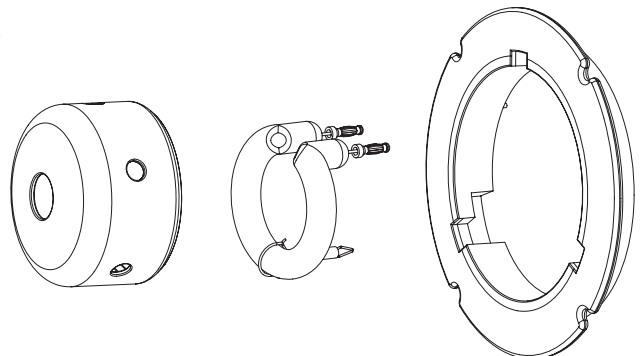
Take your softbox out of it's zipper pouch and carefully let it spring open. Attach the hooks of the inner diffuser to the elastic loops on the inside of the softbox. Attach the outer diffuser to the Velcro around the outside of the softbox.

Mounting: Opening of softbox will fit tight around the outside of the mount ring. Take turns atretching each side over the mount ring and the softbox will stay attached by tension.

Replacing the Flash Tube and Frosted Glass Dome

Both the flash tube and frosted glass dome are user-replaceable. Replacement parts can be purchased direct from Interfit Photographic or a certified Interfit dealer.

***The oil from your fingers will damage flash tubes. Be sure to handle new flash tubes with gloves or clean cloth. Always use caution when handling broken glass.**



Specifications of the Honey Badger

Max Watt Seconds	320Ws
Power Range	7 Stops
Guide Number	148 (100 ISO, 1/125, 1 meter, 7" reflector)
Variability	1/10th stop increments
Recycle Time	1 second at full power
Flash Duration	1/900@ full power
Color Temperature	5500K +/- 200K
Modeling Lamp	60w LED (Proportional)
Wireless Control	Yes
Shooting Mode	Manual
Max Sync Speed	1/250
Fan Cooled	Yes
Auto Dump	Yes
Temperature Regulation	Yes
Umbrella Mount	Fits umbrella shafts up to 5/8"(8mm)
Dimensions	5.1x5x4" (13x12.5x10cm) (Pop-up softbox ring 6" in diameter)
Weight	3 lbs
Softbox	60 cm (24") Pop-Up
Softbox Material	Nylon
Heat Resistant	No
Inner Diffuser	Yes
Outer Diffuser	Yes

Free Manuals Download Website

<http://myh66.com>

<http://usermanuals.us>

<http://www.somanuals.com>

<http://www.4manuals.cc>

<http://www.manual-lib.com>

<http://www.404manual.com>

<http://www.luxmanual.com>

<http://aubethermostatmanual.com>

Golf course search by state

<http://golfingnear.com>

Email search by domain

<http://emailbydomain.com>

Auto manuals search

<http://auto.somanuals.com>

TV manuals search

<http://tv.somanuals.com>