

SAVE THESE INSTRUCTIONS

NOTE: Check ALL parts for shipping damage. In case of shipping damage, DO NOT use. Contact Dealer/Carrier for further instructions.

SAFETY SUMMARY

The following recommendations are made for the safe installation and use of the Floor Base and Fixed Trapeze:

GENERAL WARNINGS

DO NOT install or use this equipment without first reading and understanding this instruction sheet. If you are unable to understand the Warnings, Cautions or Instructions, contact a healthcare professional, dealer or technical personnel before attempting to install this equipment - otherwise, injury or damage may occur.

The Fixed Trapeze should ONLY be installed onto beds with metal framed headboards.

Invacare products are specifically designed and manufactured to be used in conjunction with Invacare accessories. Accessories designed by other manufacturers are not to be utilized as components of Invacare products. Use of these products is NOT recommended and will void Invacare's warranty. Use ONLY Invacare parts and accessories to maximize patient safety and product utility.

The Fixed Trapeze used in conjunction with a bed, can assist an individual weighing up to 250 lbs. (114 kg.). The Fixed Trapeze is designed to provide support, increase stability and assist the user when repositioning himself/herself in bed. The Fixed Trapeze is NOT designed, however, to support the total body weight of an individual. Use it for assistance ONLY.

SPECIFIC WARNINGS

Do NOT install or adjust trapeze of an OCCUPIED bed.

Do NOT attach swivel trapezes to the floor base. This may cause the floor base to tip over, causing injury to the patient and/or assistants.

Ensure that the snap buttons fully protrude through the adjustment hole of the floor leg assembly. This ensures that the Floor Base is properly installed and securely locked in position.

After installation and BEFORE use, ensure ALL attaching hardware is tight and secure at ALL times.

ASSEMBLING FLOOR BASE (FIGURE 1)

NOTE: Refer to GENERAL/SPECIFIC WARNINGS in the SAFETY SUMMARY of this instruction sheet.

1. Install the "A" frame into the floor base assembly with the snap buttons facing the short length of the floor base as shown in FIGURE 1.
2. Depress the snap button on one (1) leg of the "A" frame and slide it into the floor leg assembly until an audible "click" is heard. Repeat for the opposite side.
3. Ensure that the snap buttons fully engage through the holes in the floor leg assembly.
4. Attach trapeze to floor base/bed end. Refer to ATTACHING TRAPEZE TO FLOOR BASE/BED END in this instruction sheet.

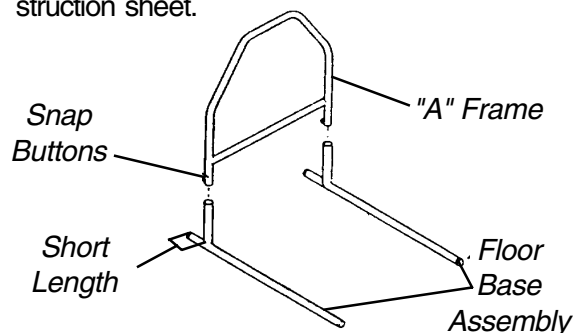


FIGURE 1 - ASSEMBLING FLOOR BASE

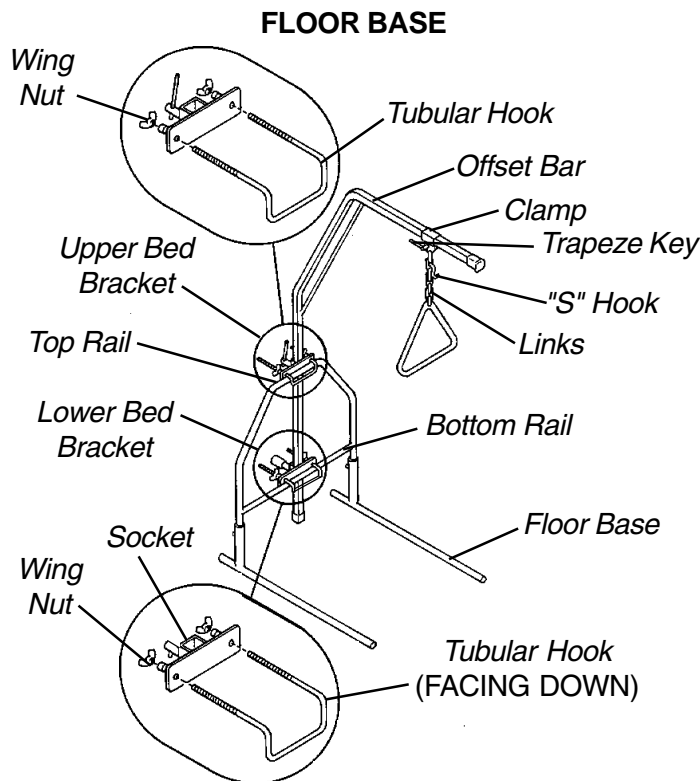
ATTACHING TRAPEZE TO FLOOR BASE/BED END (FIGURE 2)

NOTE: Refer to GENERAL/SPECIFIC WARNINGS in the SAFETY SUMMARY of this instruction sheet.

1. Do one (1) of the following:
 - A. **Floor Base** - Position the lower bed bracket in the center of the bottom rail with the tubular hook facing DOWN. Tighten wing nuts to secure lower bed bracket onto bottom rail.
 - B. **Bed End** - Position the lower bed bracket in the center of the bottom bed frame with the tubular hook facing UP. Tighten wing nuts to secure lower bed bracket onto bottom bed frame.

NOTE: Position the lower bed bracket in the center of the bottom bed frame. If interference from the bed drive shaft, the trapeze brackets MUST be positioned as close to the center of the bed as possible as shown in FIGURE 2.

2. Place the trapeze on a flat surface for easier installation of the upper bed bracket.



3. Loosen wing nuts on the upper bed bracket and slide the bracket approximately 3/4 of the way up on the offset bar.
 4. Loosely tighten the wing nuts just enough to hold the upper bed bracket in place on the offset bar.
 5. Install trapeze assembly into the socket of the lower bed bracket and position the tubular hook of the upper bed bracket so it rests on the top rail of floor base/bed end.
 6. Securely tighten the wing nuts to secure the upper bed bracket to the top rail of the floor base/bed end.
- NOTE: When using the floor base in conjunction with a bed, the long legs of the floor base should slide under the bed.*
7. Adjust the height and/or position of the trapeze. Refer to ADJUSTING THE TRAPEZE in this instruction sheet.

ADJUSTING THE TRAPEZE (FIGURE 2)

NOTE: Refer to SPECIFIC WARNINGS in the SAFETY SUMMARY of this instruction sheet.

Height

1. Position any of the lower chain links onto the "S" hook.

Position

1. Loosen trapeze key by turning COUNTERCLOCKWISE.
2. Slide the clamp to desired position on the offset bar.
3. Secure the trapeze clamp to the offset bar by turning the key CLOCKWISE.

STORING FLOOR BASE (FIGURE 3)

1. Remove the trapeze from the floor base.
2. Depress one (1) snap button on floor leg assembly and lift UP on the "A" frame until the snap button clears the top of the floor leg assembly.
3. Rotate one (1) leg of the floor base assembly 270° clockwise away from the other leg as shown in FIGURE 3.
4. Rotate the remaining leg of the floor base assembly 90° clockwise towards the other leg as shown in FIGURE 3.

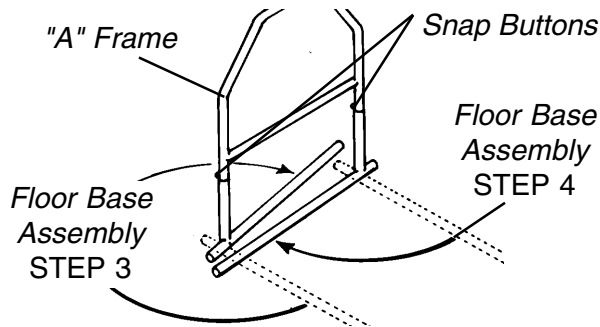


FIGURE 3 - STORING FLOOR BASE

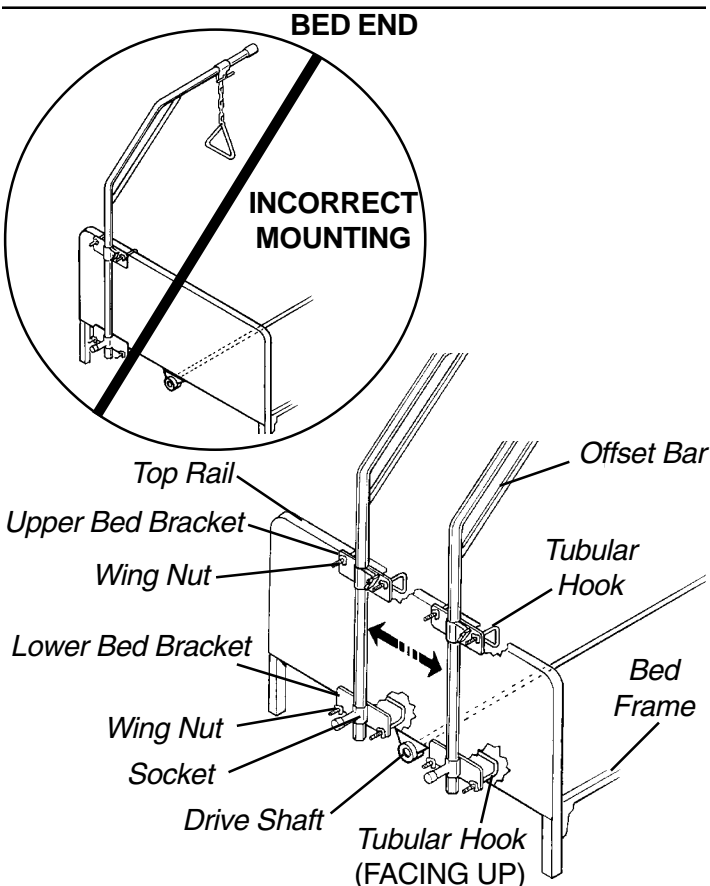


FIGURE 2 - ATTACHING TRAPEZE TO FLOOR BASE/
BED END

Invacare Corporation www.invacare.com



USA
One Invacare Way
Elyria, Ohio USA
44036-2125
800-333-6900

Invacare is a registered trademark of Invacare Corporation.
© 1999 Invacare Corporation

Form No. 86-71 Part No. 1013153 Rev H (I) 1/00

Free Manuals Download Website

<http://myh66.com>

<http://usermanuals.us>

<http://www.somanuals.com>

<http://www.4manuals.cc>

<http://www.manual-lib.com>

<http://www.404manual.com>

<http://www.luxmanual.com>

<http://aubethermostatmanual.com>

Golf course search by state

<http://golfingnear.com>

Email search by domain

<http://emailbydomain.com>

Auto manuals search

<http://auto.somanuals.com>

TV manuals search

<http://tv.somanuals.com>