

ILIFE

Operating Instructions

Robotic vacuum cleaner

Model: V55

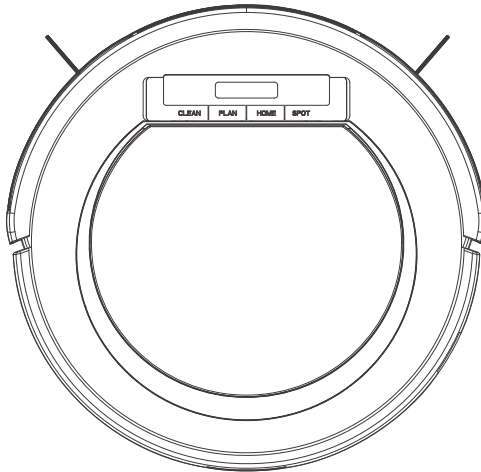
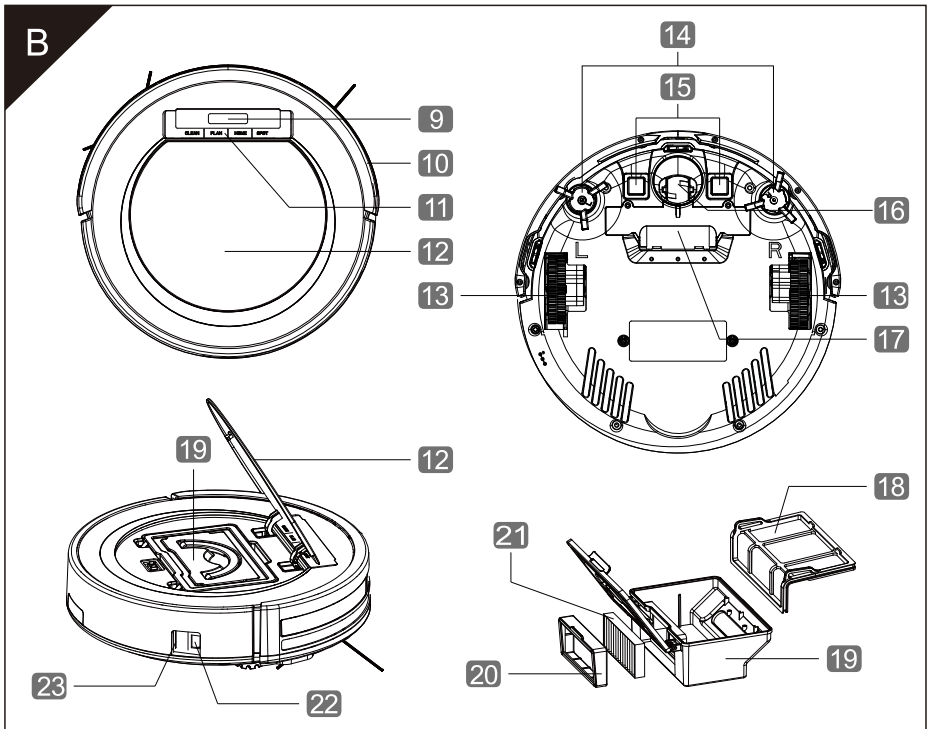
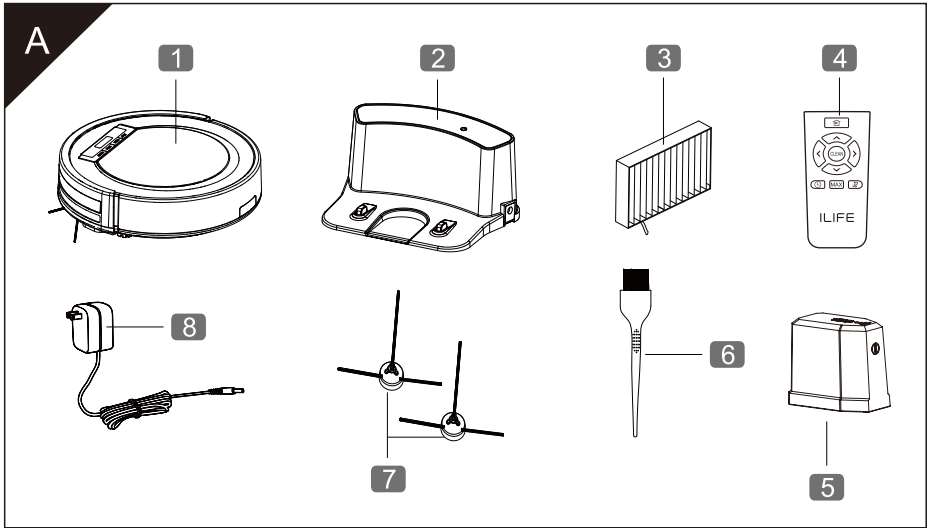


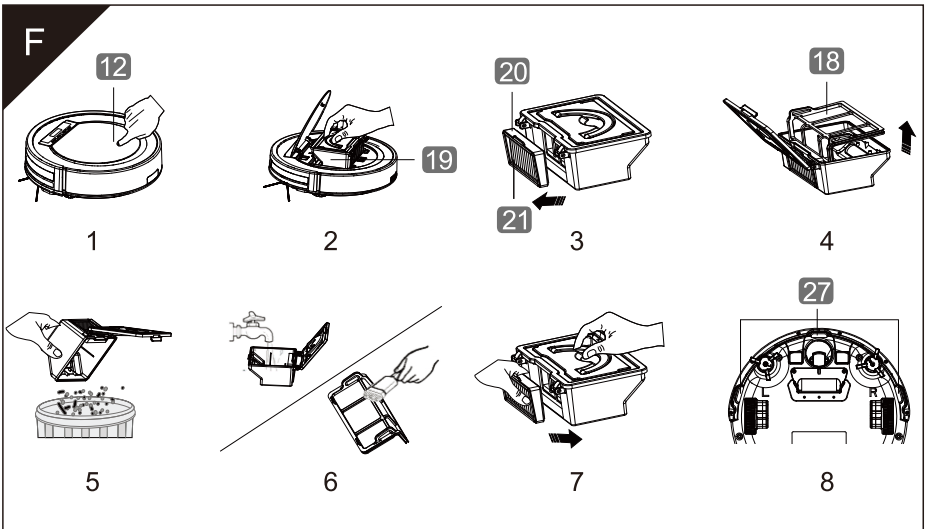
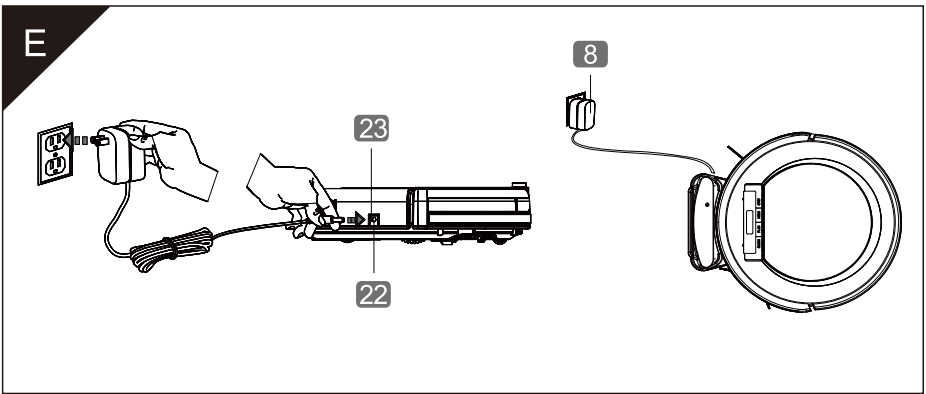
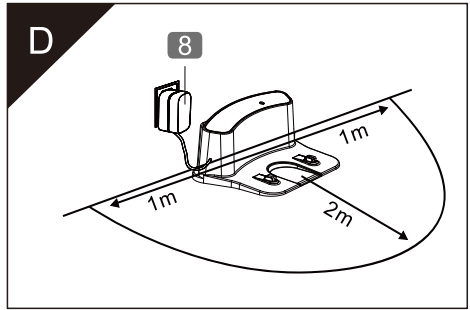
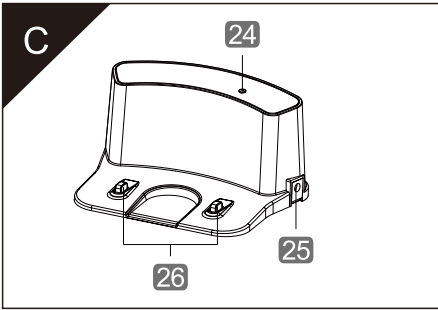
Table of Contents

Overview	3
Application	4
Device parts	5
General	7
Read and keep operating instructions	7
Legend	7
Safety	8
Intended use	8
Safety instructions	8
Initial commissioning	11
Check robotic Hoover and scope of delivery	11
Set up and connect the charging station	11
Charging the battery of the robotic Hoover	11
Manual charging	11
Automatic charging	12
Display notifications	13
Usage	14
Automatic hoovering	14
Hoovering especially dirty surfaces	15
Time shift hoovering	15
Cleaning and maintenance	16
Cleaning	16
Replacing parts	17
Storage	17
Troubleshooting	18
Error codes	18
Technical data	19
Annex - Operation manual	20
Declaration of compliance	21

Overview



Application



Device parts

1. Robotic Vacuum Cleaner
2. Charging station
3. Filter (replacement)
4. Remote control
5. Electrowall
6. Cleaning brush
7. Side brushes L + R, 2x (replacement)
8. Power adapter and power adapter cable for charging the battery
9. Display
10. Bumper
11. Operating keys CLEAN, PLAN, HOME und SPOT
12. Cover
13. Side wheels
14. Side brushes L + R
15. Contact points for charging the battery via the charging station
16. Nose wheel
17. Suction mouse
18. Primary filter
19. Dust collector
20. Filter frame
21. High Efficient Filter
22. Connecting socket for power adapter cable (manual charging)
23. On/off switch
24. Control lights
25. Connecting socket for power adapter cable (automatic charging)
26. Contact points for charging the battery in the robotic Hoover
27. Edge sensors

Device parts

Remote control

1. “⌚” Plan
 - Press this button to enter scheduling mode when in selected mode.
 - Press this button to confirm scheduling in scheduling mode.
2. “⏸” Starting up/Pause
 - Press this button to start cleaning in selected mode.
 - Press this button to make the robot stop when it's cleaning.
 - Press this button to exchange from sleeping mode to selected mode.
3. “⏪” Directional Buttons
 - A. “△” button:
 - Press this button to increase number in scheduling or clock mode.
 - Press this button to make robot move forward in selected mode and the robot will stop when it hits any objects.
 - B. “▽” button:
 - Press this button to decrease number in scheduling or clock mode.
 - Press to make robot move backward for little step in selected mode.
 - C. “◁” button:
 - Press this button to exchange from minute to hour in scheduling or clock mode.
 - Press this button to make robot turn left.
 - D. “▷” button:
 - Press this button to exchange from hour to minute in scheduling or clock mode.
 - Press this button to make robot turn right.
4. “🏠” Edge
 - Press this button to make robot clean along wall.
5. “MAX” MAX
 - Press “MAX”, the vacuum power will be the strongest
6. “🏠” Home
 - Press this button to return robot to charge home base.

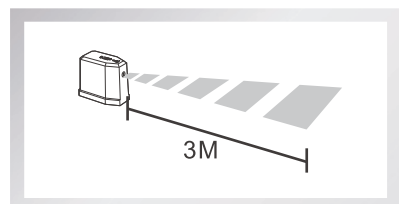
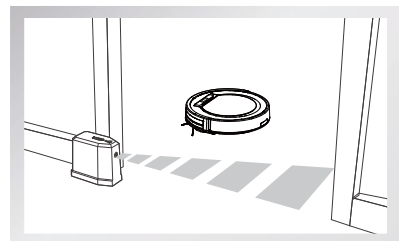


Electrowall

- Installing battery firstly, then turn it on.
- Put the Electrowall on the outside of the doorway you wish to block.
- Ensure the signal logo forward is facing forward and toward the opening you would like to block.
- Turn off the Electrowall after each use.

TIPS:

- * Make sure which side is working area according to the stickers on the Electrowall.
- * Place the robot in the "working area" to do cleaning.



General

Read and keep the operating instructions



These operating instructions belong to this robotic Hoover. They contain important information for its commissioning and handling. In order to increase their comprehensibility, the robotic Hoover is only named the “robotic Hoover” in the following.

Read through the operating instructions carefully, in particular the safety instructions, before you set up the robotic Hoover.

Disregarding these operating instructions can lead to serious injuries or damage.

The operating instructions are based on the valid standards and rules of the European Union. Country-specific guidelines and laws are to be observed abroad.

Keep the operating instructions for further use. If you give the robotic Hoover to a third party, absolutely include these operating instructions.

Legend

The following symbols and signal words are used in these operating instructions on the robotic Hoover or on the packaging.



WARNING! This signal word designates a danger with a moderate degree of risk if it is not avoided, which can result in death or serious injury.



CAREFUL! This signal word designates a danger with a low degree of risk if it is not avoided, which can result to a slight or moderate injury.



Declaration of compliance (see chapter “Declaration of compliance”): Products marked with this symbol fulfil the requirements of EU guidelines.



Disposal (see chapter “disposal”): This symbol notes that the packaging is to be recycled.

Safety

Intended use

The robotic Hoover is exclusively intended for hoovering dust, dirt, crumbs, etc. The robotic Hoover is not intended to Hoover liquids, very coarse contaminants, glass splinters, flammable substances or hot ashes. The robotic Hoover is conceived for use on hard floors (e.g. fitted carpeting). On soft surfaces (e.g. shag-pile carpeting) its performance is greatly restricted.

The robotic Hoover is intended exclusively for private use in dry indoor areas and not for commercial areas. Use the robotic Hoover only in the way described in these operating instructions. Every other use is considered improper and can lead to material damage or even to bodily injury. The robotic Hoover is not a children's toy. The manufacturer or dealer is not responsible for any liability for damages that arise through improper or incorrect usage.

Safety instructions



WARNING!

Danger of electric shock!

Faulty electrical installation or voltage that is too high can lead to electric shock.

- Only connect the robotic Hoover/ charging station if the voltage of the outlet is in accordance with information on the type label of the power adapter.
- Only connect the power adapter to an easily accessible outlet so that the robotic Hoover/ charging station can be quickly separated from the power supply in case of malfunction.
- Only use the power adapter provided within the scope of delivery to charge the battery of the robotic Hoover. In case of damage to the cable or the power adapter, the power adapter must be disposed of and replaced by a power adapter of the same type.
- Do not operate the robotic Hoover if it or the charging station show signs of visible damage or the power adapter cable/ power adapter is faulty.
- Do not use the robotic Hoover outdoors.
- The robotic Hoover, charging station, power adapter and power adapter cable may not be immersed in water or other liquids.

Safety

- Do not use the robotic Hoover on wet surfaces or in places where there is a risk that the robotic Hoover may come into contact with water or become immersed in water, e.g. in swimming pool areas.
- Never touch the power adapter with wet hands.
- Do not pull on the power adapter cable when taking the power adapter out of the outlet. Instead always touch the power adapter itself.
- Keep the robotic Hoover, the power adapter and the power adapter cable away from open fires and hot surfaces. E.g. do not use the robotic Hoover near a burning fireplace.
- Do not bend the power adapter cable and do not lay it out over sharp edges.
- When you are not using or cleaning the robotic Hoover or if a disruption takes place, always shut off the robotic Hoover and take the power adapter out of the outlet.
- Only open the casing to the extent that is described in these operating instructions and leave repairs to specialists. In this case turn to a specialist workshop. Liability claims and warranty claims are ruled out in case of stand-alone implemented repairs, improper connection or incorrect operation.

WARNING!



This product cannot be used by children or people with the lack of experience or knowledge.

- This product cannot be used by children or people with the lack of experience or knowledge. Children may not play with the robotic Hoover. Cleaning and user maintenance may not be implemented by children without supervision.
- Keep children younger than eight years old away from the robotic Hoover, the charging station as well as the power adapter and power adapter cable.
- Do not use the robotic Hoover in an area where a small child stays alone. The child can become injured.
- Do not allow children to play with the packaging foil. While playing they can become entangled in it and choke.

Safety

CAREFUL!



Risk of injury!

Improper handling of the robotic Hoover can lead to injuries.

- Please keep distance from the turning brushes of the robotic Hoover. Always turn it off before lifting or transporting it.

Attention!



Risk of damage!

Improper handling of the robotic Hoover can lead to damages to the robotic Hoover.

- Exclusively operate the robotic Hoover with the inserted dust collector and filter.
- Do not sit on the robotic Hoover.
- Keep pets away from the robotic Hoover and do not allow them to sit or stand on the robotic Hoover.
- Do not place any items on the robotic Hoover.
- Do not use the robotic Hoover in places where obvious “risks of crashing” may emerge, e.g. near steps, large tables, etc.
- Note that the robotic Hoover cannot become entangled in downward hanging cords and curtains.
- Do not allow the robotic Hoover to drive over power, speaker or other cables.
- Do not use the robotic Hoover to Hoover substances like chalk, cement dust, glowing ash, toner dust or very fine sand, since these can clog the filter pores.
- Do not use the robotic Hoover on shag-pile carpets or carpets with carpet fringes.
- Turn the robotic Hoover off immediately if the robotic Hoover is apparently acting faulty, makes unusual noise or if another dangerous situation emerges.

Initial commissioning

Check robotic Hoover and scope of delivery

1. Take the robotic Hoover out of the packaging.
2. Check whether the robotic Hoover or the individual parts show signs of damage. If this is the case, do not use the robotic Hoover. Turn to the manufacturer through the service address provided on the warranty card.
3. Check whether all the parts are there (see **Fig. A**).

Set up and connect the charging station

1. Place the charging station on an even surface on a wall so that it will not skid while the robotic Hoover is docking. The contact points for charging must be freely accessible (see **Fig. D**).
2. Be certain that no obstacles or height differences are located 2 m in front and 1 m to the left and right of the charging station. Do not place the charging station under furniture, e.g. a table or a radiator.
3. Plug the small plug of the power adapter into the connection socket of the charging station 23.
4. Plug the power adapter into an outlet. The control light 22 lights up. The charging station is ready for use.

Charging the battery of the robotic Hoover

- You can charge the battery manually or automatically through the charging station.
Observe the following points when charging:
 - Charge the battery over night if you are charging it for the first time. Later charge processes take approx. 4 – 4.5 hours.
 - If the battery is fully charged, FULL appears in the display 7 of the robotic Hoover.

Manual charging

You can charge the battery manually the first time that you charge it. For later use we recommend charging automatically through the charging station (see next section); the battery is then fully loaded.

1. Turn the on/off switch to I (see **Fig. E**).

Initial commissioning

2. Plug the smaller plug of the power adapter 6 in the connecting socket 20 of the robotic Hoover.
3. Plug the power adapter 6 in an outlet. The display notification shows that the battery is charging (see section “Display notification”).
4. After the charging finished, the light will be off and FULL is shown in display. Please separate the cable connection.
5. Before first use, charge the robot overnight. When charging is finished, display panel will turn off.

Automatic charging

The robotic Hoover returns automatically to the charging station once the battery is almost empty or if you press HOME on operating button 9.

Display notifications

The display 7 always informs you of the status of the robotic Hoover.

Display	Meaning
BB:BB	Robotic Hoover is in selection mode, desired function can be selected through the operating button.
C _ _ _	Robotic Hoover is cleaning in corner cleaning mode.
AUFO	Robotic Hoover is cleaning in auto-cleaning mode.
SPOR	Robotic Hoover is cleaning in point cleaning mode.
BASE	Robotic Hoover is on the way to the charging station.
L o	Battery is almost empty and must be charged soon.
FULL	Battery is completely charged.
	Battery is being charged. The fewer bars that blink, the more completely charged the battery is.

Preparation

Always observe the following points before hoovering with the robotic Hoover:

- The battery should always be completely charged and the dust collector should always be empty.
- Remove expensive ceramics, fragile items such as glasses as well as valuable items from the ground. This also applies to cables, towels, etc.
- Rub existing moist or wet parts of the floor dry.
- Remove items such as cables, towels, etc. from the floor.
- Remove thick, soft carpets and carpets with fringes.
- Before hoovering, close doors that lead outside and to rooms that should not be hoovered.
- You can protect sensitive areas, e.g. areas with many cables, by placing solid items in front of them, e.g. a large bag
- Keep pets away from the working area of the robotic Hoover.

Usage



Attention!

- While using and charging, the on/off switch must be set to I. You should only shut off the robotic Hoover for longer time periods when it is not in use (on/off switch on O).
- If the robotic Hoover is in sleep mode (no notification in the display), you must push on the operating button twice to start an action. Otherwise it is sufficient to push one time. Always note the notification in the display.

Automatic hoovering

Press CLEAN 9

“88:88” and then “AUTO” are shown in the display. The robotic Hoover begins on its own to Hoover in the entire area.

While automatically hoovering, the robotic Hoover switches to corner cleaning mode if necessary, if the sensors of the robotic Hoover recognise that it is nearing a corner. After cleaning the corner, the robotic Hoover switches back to the normal “AUTO” mode.

Pause

1. Press CLEAN to briefly interrupt the hoovering, e.g. to remove an obstacle.
2. Press CLEAN once again within 15 seconds to resume hoovering.

End hoovering

1. Press the key CLEAN 9.
 - Press CLEAN again and keep the button pressed for a few seconds until the notification in the display goes out (robotic Hoover is in sleep mode) or
 - Press the key HOME 9 twice. In this case robotic Hoover stops hoovering and moves back to the charging station to charge the battery again.



Attention!

If you only press on CLEAN one time at the end, the robotic Hoover switches to sleep mode after 15 seconds if within this time no other keys are pressed.

Usage

Hoovering especially dirty surfaces

1. Proceed as described in the first section “Automatic hoovering”.
2. Press the SPOT 9 key if you would like to selectively clean a particularly dirty spot. “88:88” is shown flashing in the display
3. Press SPOT again to start cleaning.

As soon as the area is sufficiently cleaned the robotic hoover switches back to the “AUTO” mode and hoovers again as it does ordinarily.



NOTE!

You can also end the selective cleaning by pressing CLEAN twice.

Time shift hoovering

With this function you can set a span of time, which after expiring leads the robotic hoover to begin hoovering. Shortest span of time: 15 minutes. Longest span of time: 23 hours and 45 minutes.

1. Press the CLEAN 9 key (if no notification is seen in the display).
2. Press the PLAN 9 key. In the display the back two numbers flash.
3. Set the desired minutes (00, 15, 30, 45) with the keys HOME or SPOT 9.
4. Press PLAN again. In the display the front two numbers flash.
5. Set the desired hours (01 – 23) with HOME or SPOTS.
6. Finally press the CLEAN 9 key to confirm the settings.

After the set time expires the robotic hoover turns on automatically and hoovers the floor.



NOTE!

- **If you would like to cancel the adjustment, keep the PLAN key pressed for approx. 5 seconds until the display shows “00:00” and then press CLEAN.**
- **If you shut off the robotic hoover completely (On/off switch on O) the made settings are lost.**

Cleaning and maintenance

Cleaning



WARNING!

Danger of electric shock!

Faulty handling with the robotic Hoover can lead to an electric shock.

- **The robotic Hoover, charging station, power adapter and power adapter cable may not be immersed in water or other liquids.**

1. End any possible charging process and set the on/off switch to O. Also disconnect the charging station 2 from the electrical supply.
2. Open the robotic Hoover by pressing the PUSH button on the lid (see Fig. F, section 1)
3. Take out the dust collector 17 (see Fig. F, step 2).
4. Remove the filter frame 18 and High Efficient Filter 19 (see Fig. F, step 3). Tap on the High Efficient Filter
5. Take out the main filter 16 from the dust collector (see Fig. F, step 4).
6. Empty the dust collector (see Fig. F, step 5).
7. Rinse out the dust collector under the tap or clean it with a wet cloth. After that, wipe the dust collector dry. You can clean the main filter as well as the High Efficient Filter with the cleaning brush 4 (see Fig. F, step 6). Only insert the filters in a dry state.
8. Insert the High Efficient Filter and secure it with the filter frame (see Fig. F, step 7).
Stick the dust collector in the robotic Hoover again and close the lid.
9. Clean the edge sensors 25 on the underside of the robotic Hoover with a soft cloth (see Fig. F, step 8).
10. Also clean the following on the underside:
 - the edge brushes 12
 - the wheels 11 and 14
 - the contact points for charging the batteries 13
 - the Hoover opening 15
11. Clean the remaining robotic Hoover casing as well as the charging station with a soft, lightly wetted cloth.

Cleaning and maintenance

Replacing parts



Attention!

- Side brushes and High Efficient Filter are also available in specialist shops.
- Note the R and L markings and on the underside of the robotic Hoover and the replacement brushes when replacing the side brushes. The replacement must take place according to the right/ left markings.

Side brushes

If the side brushes are worn out you can replace them with the provided replacement brushes.

1. Loosen the old side brushes 12 attached on the underside of the robotic Hoover with a cross-headed screwdriver 12 (see Fig. B).
2. Screw the new side brushes 5 in.

High Efficient Filter

Depending on the frequency of use, the High Efficient Filter should be cleaned after approx. 15 – 30 days. After approx. 6 months it should be replaced with the provided replacement filter 3.

1. Take out the old High Efficient Filter (see chapter “Cleaning”, steps 1 – 4).
2. Replace the old High Efficient Filter with the new one.

Storage

If you are not using the robotic Hoover for a longer time, do the following:

1. Charge the battery completely, see chapter “Charging the battery of the robotic Hoover”.
2. Set the on/off button to O (“Off”).
3. Store the robotic Hoover in a cool, frost-free place.

Troubleshooting

Troubleshooting

	Problem	Possible cause	Repair
1.	No function	Battery not completely charged.	Charge the battery completely.
		On/off switch 21 set to O.	Set the on/off switch to I.
		Battery contact points contaminated.	Clean the battery contact points of the charging station 24 and the robotic Hoover 13.
2.	Poor hoovering performance	Hoover opening 15 is clogged.	Check the Hoover opening.
		Dust collector 17 is full or filters are clogged.	Proceed as described in the section "Cleaning".

Error codes

When it comes to technical problems these are partly recognised and in the form of an error code are shown in the display.



NOTE!

- **If the repair is unsuccessful shut the robotic Hoover off (on/off switch on O) and then on again. If the error reoccurs turn to our service department or get help from specialist help.**
- **Do not try to repair the device yourself.**

Technical data

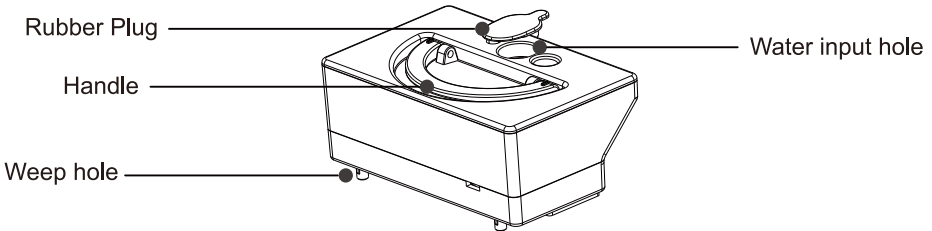
Error code	Possible cause	Possible solution
E01	Left side wheel does not turn.	Check the left side wheel and clean it if necessary.
E02	Right side wheel does not turn.	Check the right side wheel and clean it if necessary.
E04	Robotic Hoover was lifted.	Place the robotic Hoover back on the ground.
E05	Edge sensors 25 don't work.	Clean the edge sensors, see section "Cleaning", step 9.
E06	Bumper 8 doesn't work.	Check whether the bumper is contaminated and clean it if necessary.
E10	On/off switch is on O ("Off").	Set the on/off switch to I.

Technical data

Type:	Robotic Vacuum Cleaner V55
Performance:	20 W
Weight:	approx. 2.3 kg
Dimensions (D x H):	300 mm x 78 mm
Capacity	
Dust collector:	approx. 0.3 litres
Charging time:	approx. 200 - 350 minutes
Max. hoovering time:	approx. 100 - 120 minutes
Article number:	42541
Charger	
Supply voltage:	100 - 240 V, 50/60 Hz
Output voltage:	19 V, direct current, 0.6 A
Type:	GSCV0600S019V12E
Battery Type:	Lithium ion batter (Li-Ion)
Voltage:	14.4 V
Capacity:	2600 mAh

Annex - Operation manual

(only for model with water tank)



1. Dry cleaning is carried out with a dustbin, and wet cleaning is carried out with the water tank
2. The mop bracket should be on the robot with the mop when the water tank is used.
3. Fill the water tank with water.
4. Open the robot lid and put the water tank into the body. The **Drop Valve** of the water tank should be **aligned with the Drop Valve** on the robot body.
5. Close the robot lid, press the "CLEAN" button to start the wet cleaning. There is no vacuum suction function during the wet cleaning.
6. When the robot vacuum cleaner is stopped with the water tank inside, or when the wet cleaning is completed, and there is still water left in the tank, please take out the water tank and pour out the water. Then store the water tank properly after the water tank is empty.
7. **For a better cleaning result, it is suggested that you use the dry cleaning function before using the wet cleaning function.**
8. **The water in the water tank flows out automatically. Never leave the water tank stored inside or outside the robot if there is still water inside the tank. Otherwise this could cause water damage on the floor.**
9. **Please take out the water tank when you charge the robot vacuum cleaner.**

"MAX" button on the remote control

1. Drücken Sie die Taste "Max", um zwischen der erweiterten Reinigung und der normalen Reinigung während der chemischen Reinigung zu wechseln.
2. **Drücken Sie die Taste "Max", damit sich der Roboter im Standby-Modus rückwärts bewegt.**

Declaration of compliance



The EU declaration of compliance can be provided if requested.

Disposal

Disposal of packaging



Dispose of the packaging according to type. Cardboard with waste paper, foil with recyclable material.

Disposal of the robotic Hoover

Dispose of the robotic Hoover in compliance with the applying provisions in your country.



Old devices may not go in the household waste!

Should the robotic Hoover become no longer usable, each consumer is **legally obligated to dispense of old devices separately from household waste**, e.g. at a collection site with in their community/ city district. This way it is guaranteed that old devices are utilised and negative impacts on the environment are avoided. For this reason electrical devices are designated with the symbol above.



Batteries may not go in the household waste!

As a consumer you are legally obligated, no matter whether they contain pollutants or not, to dispose of all batteries at a collection site within your community/ city district or in trade, so that they can be disposed of in an environmentally friendly way.

Dispose of the robotic Hoover completely (with the battery) and only in uncharged state at your collection site!

* designated with: Cd = Cadmium, Hg = Mercury, Pb = Lead

Free Manuals Download Website

<http://myh66.com>

<http://usermanuals.us>

<http://www.somanuals.com>

<http://www.4manuals.cc>

<http://www.manual-lib.com>

<http://www.404manual.com>

<http://www.luxmanual.com>

<http://aubethermostatmanual.com>

Golf course search by state

<http://golfingnear.com>

Email search by domain

<http://emailbydomain.com>

Auto manuals search

<http://auto.somanuals.com>

TV manuals search

<http://tv.somanuals.com>