

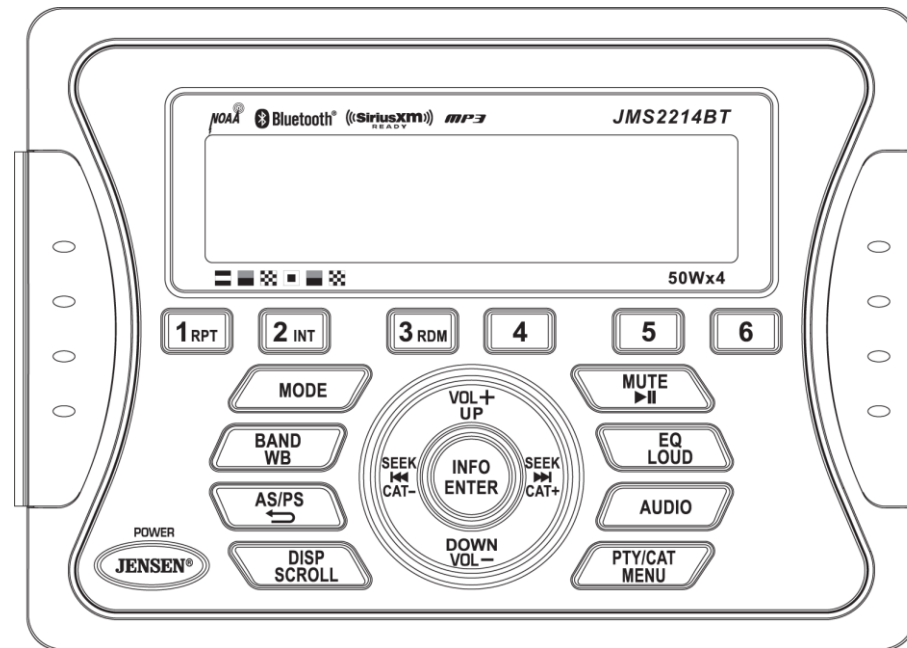


M A R I N E

# JMS2214BT

MARINE AUDIO SYSTEM

## Installation and Operation Manual



iPhone, iPod, iPod classic, iPod nano, iPod shuffle, and iPod touch are trademarks of Apple Inc., registered in the U.S. and other countries.



# CONTENTS

Safety Information ..... 1

Installation ..... 2

Wiring ..... 4

Basic Operation ..... 5

Tuner Operation ..... 7

Digital File Playback ..... 9

SIRIUSXM Radio Operation ..... 10

iPod® Operation ..... 12

Bluetooth Operation ..... 14

Care and Maintenance ..... 16

Troubleshooting ..... 16

Specifications ..... 17

“Made for iPod” and “Made for iPhone” mean that an electronic accessory has been designed to connect specifically to iPod or iPhone respectively, and has been certified by the developer to meet Apple performance standards. Apple is not responsible for the operation of this device or its compliance with safety and regulatory standards. Please note that the use of this accessory with iPod or iPhone may affect wireless performance.



M A R I N E

## SAFETY INFORMATION

### *When Boating*

Keep the volume level low enough to be aware of your surroundings.

### *Protect from Water*

Do not submerge or expose the product directly to water, as this can cause electrical shorts, fire or other damage

### *Protect from High Temperatures*

Exposure to direct sunlight for an extended period of time can produce very high temperatures inside your vessel. Give the interior a chance to cool down before starting playback.

Do not mount radio with close proximity of engine compartment.

### *Use the Proper Power Supply*

This product is designed to operate with a 12 volt DC negative ground battery system.

### **WARNING:**

- DO NOT OPEN, DISASSEMBLE OR ALTER THE UNIT IN ANYWAY. Doing so may result in fire, electric shock or product damage.
- USE THE CORRECT AMPERE RATING WHEN REPLACING FUSE. Failure to do so may result in fire, electric shock or product damage.
- DO NOT INSTALL IN LOCATIONS THAT MIGHT HINDER VEHICLE OPERATION. Doing so may obstruct vision or hamper movement which can result in a serious accident.
- INSTALL THE WIRING SO THAT IT IS NOT CRIMPED OR PINCHED BY SCREWS OR SHARP METAL EDGES. Route the cables away from moving parts or sharp pointed edges. This will prevent crimping and damage to the wiring. If the wiring must pass through a metal hole, be sure to use a rubber grommet to prevent the wire's insulation from being cut by the metal edge of the hole. It is also recommended to apply sealing caulk to any opening that may potentially allow water to enter.
- Be sure to choose a location that is flat and has clearance above the unit to prevent any damage, as well as allow for ventilation
- Before drilling any holes, carefully inspect the area underneath and behind the mounting surface where the devices will be mounted to make sure it will not interfere with existing wires, fuel lines, the fuel tank or any other objects that could be damaged.
- Always disconnect the vehicle negative battery terminal to prevent accidental shorting during installation.

# INSTALLATION

## Before you Begin

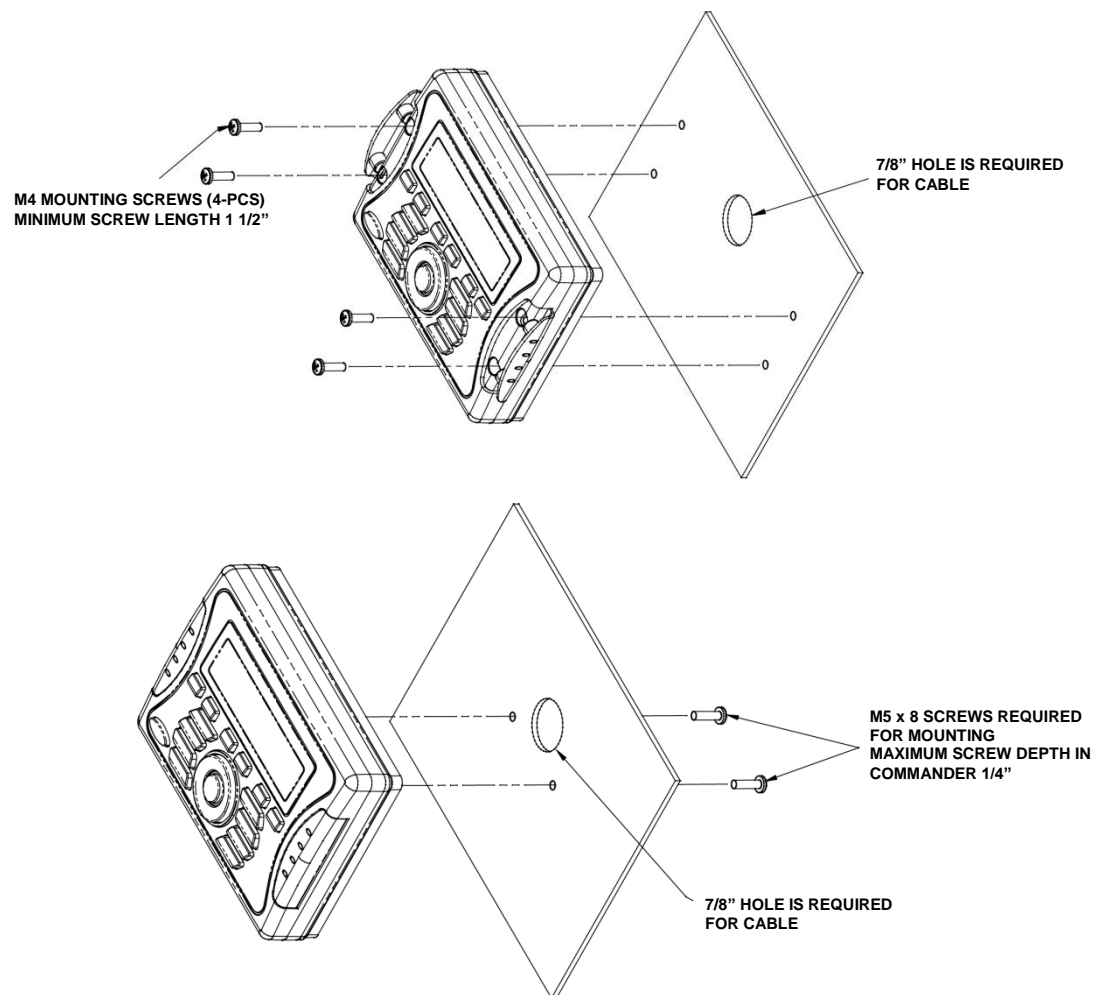
Before you begin, always disconnect the battery negative terminal.

## Important Notes

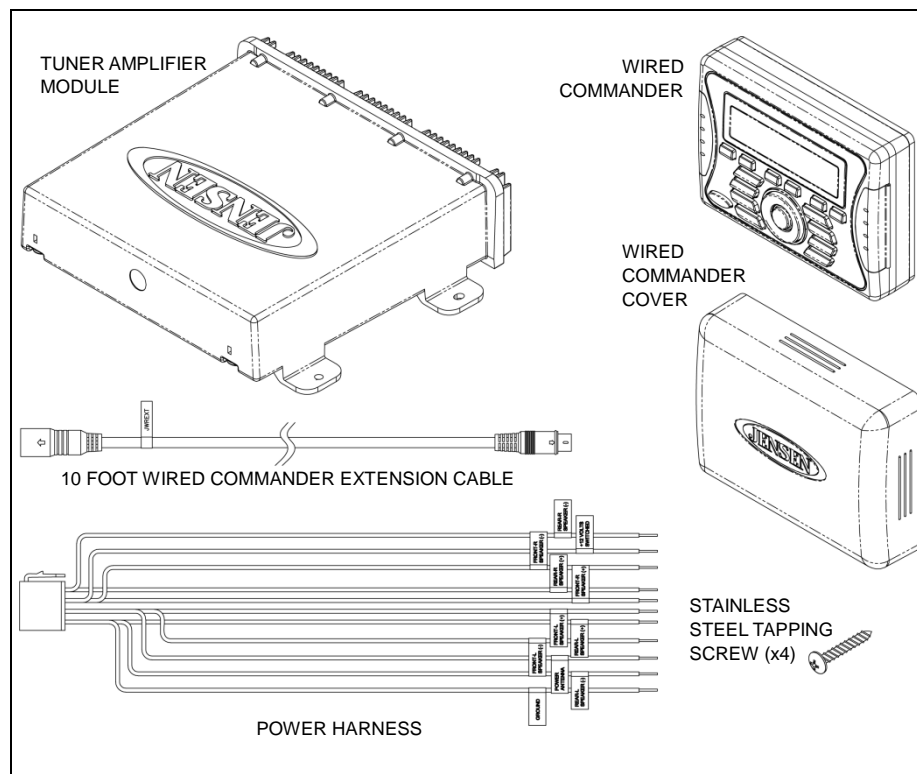
- Before final installation, test the wiring connections to make sure the unit is connected properly and the system works.
- Use only the parts included with the unit to ensure proper installation. The use of unauthorized parts can cause malfunctions.
- Consult with your nearest dealer prior if installation required the drilling of holes or other modifications to your vessel.
- Install the unit where it does not interfere with driving and cannot injure passengers if there is a sudden or emergency stop.
- Avoid installing the unit where it will be subject to high temperatures from direct sunlight, hot air, or from a heater, or where it would be subject to excessive dust, dirt or vibration.

## Wired Commander Mounting

1. Choose a mounting area for the wired commander that is clean and flat, allowing the rear gasket to fully seal to the mounting surface
2. Secure the wired commander using either of the recommended mounting methods detailed in the diagrams below.

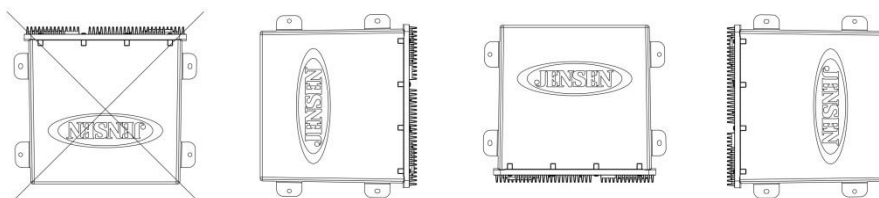


## Hardware Kit Contents

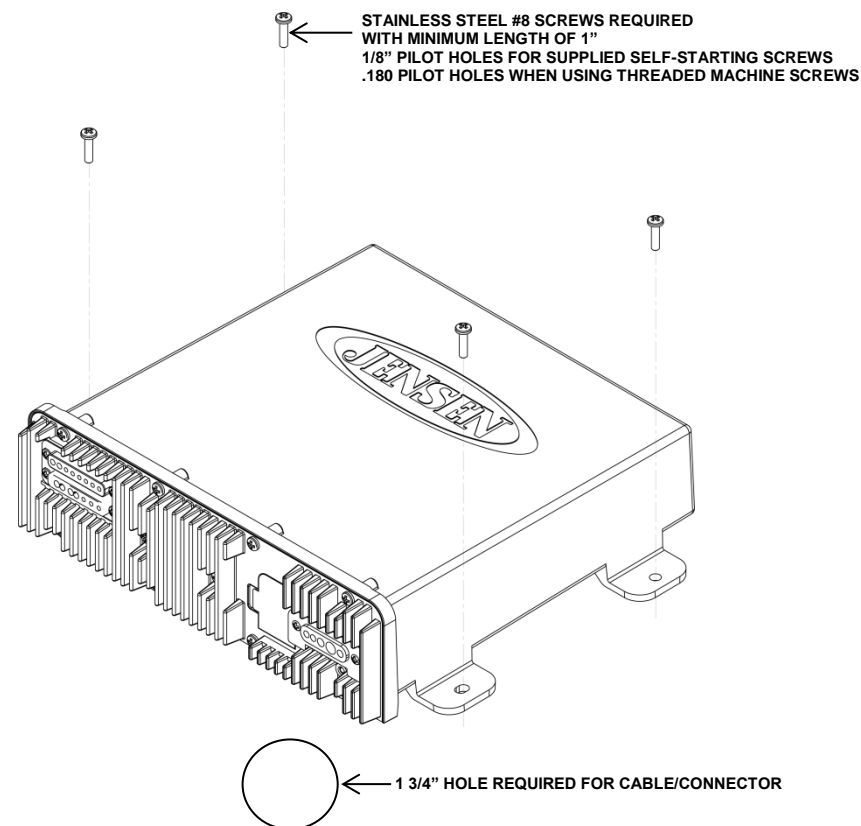


## Tuner/Amplifier Mounting

1. Choose a mounting area for the tuner/amplifier module that will provide plenty of ventilation to prevent the amplifier from overheating. The tuner/amplifier module can be mounted in the horizontal or vertical position. Please note that when mounting in vertical position, do not mount with the harness exit points facing straight up, as water can collect around the chassis in these areas.



2. Using the shortest length of the recommended size screws possible, mount the tuner/amplifier as detailed in the diagram on the right.
3. Route the tuner/amplifier harness and cable throughout the vessel as required. Keep some slack in the harness/cables so it won't be too tight, as this can cause damage to the wires.
4. Follow the wiring diagram carefully and make certain all connections are secure and insulated with crimp connectors or electrical tape to ensure proper operation.
5. After completing the wiring connections, reconnect the negative terminal of the battery and turn the unit on to confirm operation (vessel accessory switch must be on). If the unit does not operate, disconnect battery, recheck all wiring and refer to the trouble-shooting guide located in the back of the manual.

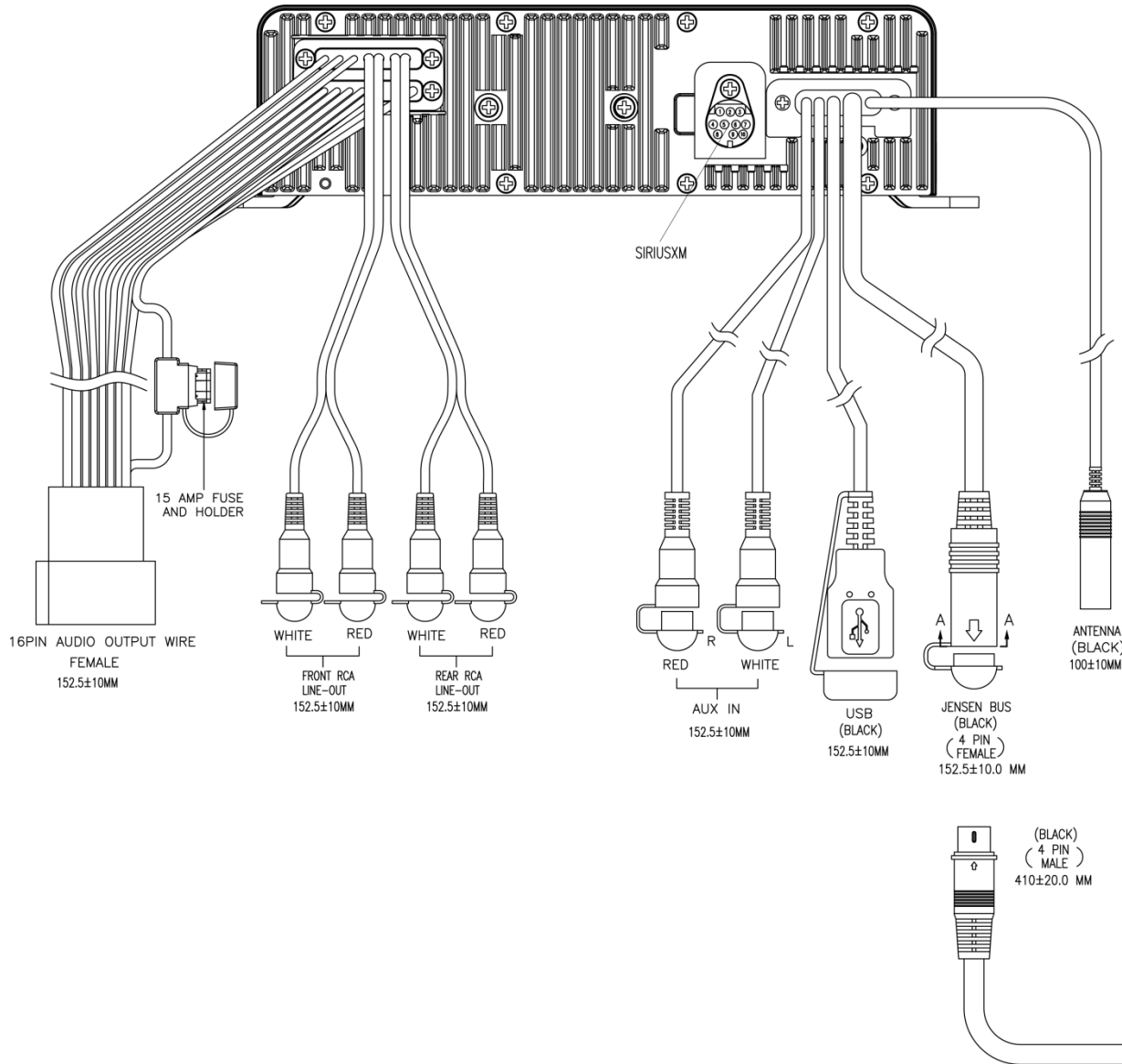


## Reconnect Battery

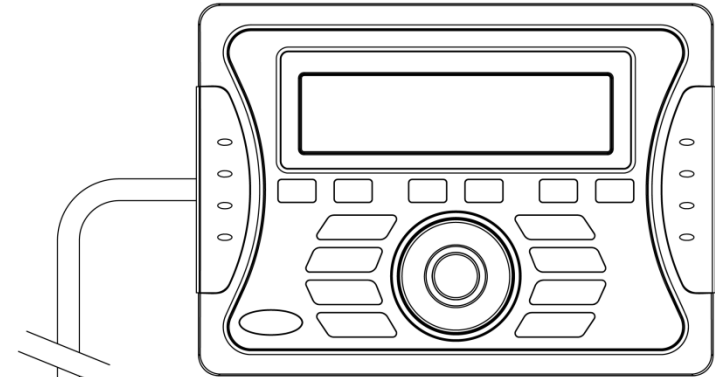
When wiring is completed, reconnect the battery negative terminal.

# WIRING

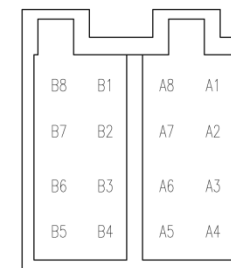
## TUNER/AMP MODULE



## WIRED COMMANDER

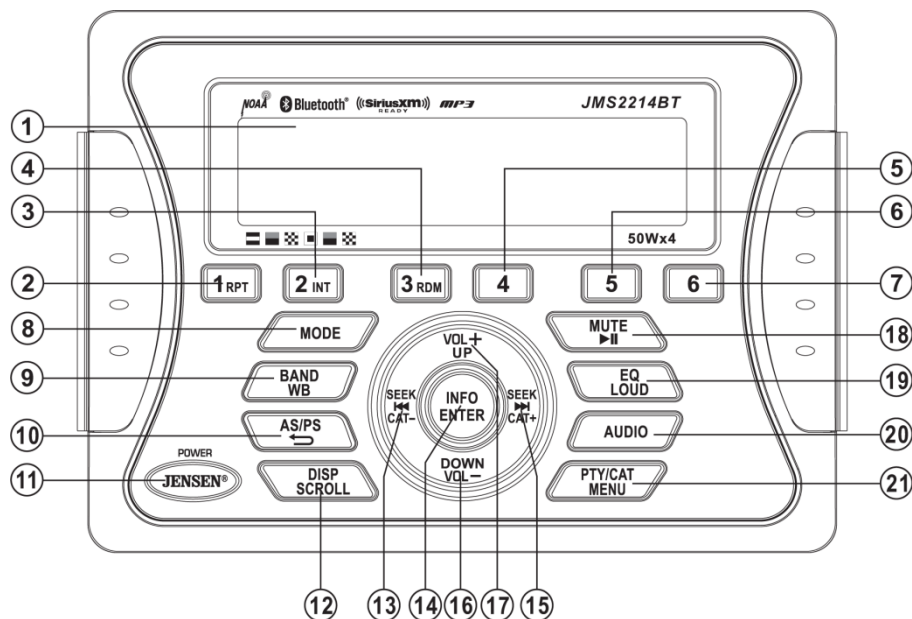


16PIN AUDIO OUTPUT WIRE SOCKET FEMALE  
RADIO EXIT VIEW  
SCALE 2:1



PIN	COLOR	PIN	COLOR
A1	PURPLE 20#WIRE	B1	N.C
A2	GRAY 20#WIRE	B2	N.C
A3	WHITE 20#WIRE	B3	BLUE 20#WIRE
A4	GREEN 20#WIRE	B4	N.C
A5	GREEN/BLACK 20#WIRE	B5	BLACK 16#WIRE
A6	WHITE/BLACK 20#WIRE	B6	N.C
A7	GRAY/BLACK 20#WIRE	B7	RED 16#WIRE
A8	PURPLE/BLACK 20#WIRE	B8	N.C

## BASIC OPERATION

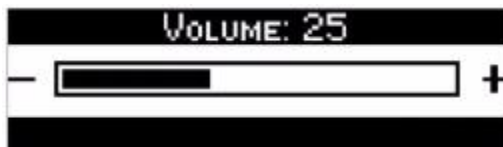


### Power On/Off

Press the **POWER** button (11) to turn the unit on. The unit will resume at the last mode (Tuner, Aux, etc.).

### Volume Control

To increase the volume, press the **VOL+** button (2). To decrease the volume, press the **VOL-** button (16). The maximum volume setting is "40". While adjusting the volume, the LCD displays a bar graph and numerical representation of the level.



### Mute

Press the **MUTE / ►||** button (18) to mute the audio output. Press **MUTE / ►||** again to restore the audio output to the previous level.

### Mode

Press the **MODE** button (5) on the control panel to select a different mode of operation, as indicated on the display panel. Available modes include Tuner (AM/FM), SAT (SIRIUSXM), iPod, USB, Auxiliary and Bluetooth Audio.

**NOTE: SIRIUSXM and iPod mode will be skipped if the module/device is not installed.**

### Reset

The reset button should be activated for the following reasons:

- initial installation of the unit when all wiring is completed
- function buttons do not operate
- error symbol on the display

Use a ball point pen or thin metal object to press the **RESET** button located on the tuner box.



You can recover factory default settings using the **RESET** function located on the system menu. With "YES" flashing, press the **MODE** button (8) to activate.

### Audio Menu

Press the **AUDIO** button (20) on the control panel to access the audio menu. You can navigate through the audio menu items by pressing the **AUDIO** button repeatedly. Once the desired menu item appears on the display, adjust that option by pressing one of the **VOL+/-** buttons (17, 18) within 5 seconds. The unit will automatically exit the audio menu after five seconds of inactivity. The following menu items can be adjusted.

#### Bass Level

Use the **VOL+/-** buttons to adjust the Bass level range from "-6" to "+6".

#### Treble Level

Use the **VOL+/-** buttons to adjust the Treble level range from "-6" to "+6".

#### Balance

Use the **VOL+/-** buttons to adjust the Balance between the left and right speakers from "L12" (full left) to "R12" (full right).

#### Fader

Use the **VOL+/-** buttons to adjust the Fader between the rear and front speakers from "R12" (full rear) to "F12" (full front).



## System Menu

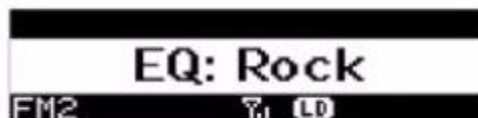
1. Press and hold the **PTY/CAT/MENU** button (21) for more than 2 seconds to enter the system menu. The first menu item, "Key Beep", will appear on the display.
2. Press **VOL+/-** buttons (17, 16) repeatedly to navigate the system menu.
3. Press the **INFO/ENTER** button (14) to adjust the highlighted menu item.
4. Press the **PTY/CAT/MENU** button to exit the system menu.

The following items can be adjusted:

- Key Beep (Click/ Beep / Off): Turn the audible beep On/Off (heard when functions/buttons are selected).
- LCD Backlight (1-10): Adjust LCD brightness.
- LCD Contrast (1-10): Adjust LCD contrast.
- Button Backlight (1-10)
- Tuning Region (USA / EUROPE): Set frequency spacing for various regions.
- Bluetooth Setup (Sub Menu, only accessible in Bluetooth mode)
  - BT ON/OFF: Choose "BT ON" or "BT OFF"
  - BT PAIR (ON/OFF): Choose "YES" to automatically pair a previously paired device
  - BT DEVICE (Lock/Unlock, Disconnected/Connect, Delete): View, lock and delete from a list of previously paired mobile devices.
- SXM Satellite Radio (only appear when SIRIUSXM tuner is connected and in SIRIUSXM mode)
  - Set Lock Code: \_ \_ \_ \_
  - Locked Channels: List of Channels (Locked / Unlocked)
  - SXi software Version
- Battery Alarm (Off / On): When On, if the battery supply voltage drops below 10.8V, indicating a possible problem with the vessel's battery charging system, the radio will issue a low battery display warning and an audio beep once per minute. The warning and sound will continue until the unit is turned off or the voltage is restored to more than 10.8 Volts
- Battery Auto-Off (Off / On)
- Reset To Defaults <ENTER>: Press the **INFO/ENTER** button (14) to return the JMS2214BT to factory default set up values.
- Update Firmware <ENTER>: Press the **ENTER** button (12) to apply recent software updates.

## Equalizer

Press the **EQ/LOUD** button (19) to choose one of the following pre-defined bass and treble curves: USER > FLAT > ROCK > CLASSICAL > POP.



## Loudness

Press and hold the **EQ/LOUD** button (19) to toggle loudness on/off. When listening to music at low volumes, this feature will boost the bass and treble ranges to compensate for the characteristics of human hearing.

## Auxiliary Input

To access an auxiliary device:

1. Connect a portable audio player to the AUX IN cables on the back of the radio.
2. Press the **MODE** button (8) to select "Auxiliary" mode.
3. Press **MODE/WB** again to exit "Auxiliary" mode and access another mode.

## Liquid Crystal Display (LCD)

The current frequency and activated functions are shown on the LCD panel (1).

---

**NOTE: LCD panels may take longer to respond when subjected to cold temperatures for an extended period of time. In addition, the visibility of the numbers on the LCD may decrease slightly. The LCD display will return to normal when the temperature increases to a moderate range.**

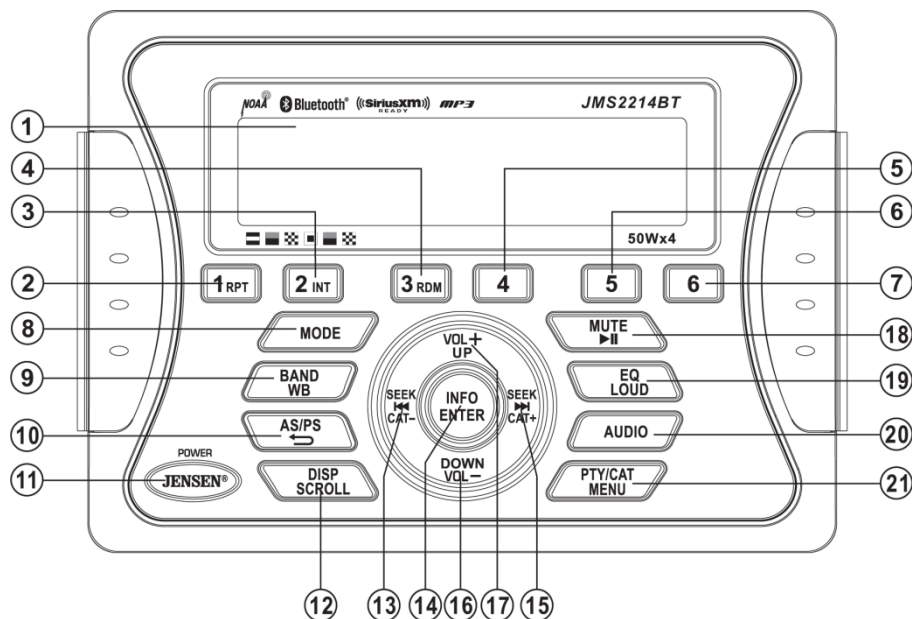
---

## Scroll

When the information is too long to be displayed on the LCD, press and hold the **DISP/SCROLL** button (12) to view the entire title. The information will scroll twice and then return to abbreviated text.



## TUNER OPERATION



### Select a Band

Press the **MODE** button (9) to change between the FM and AM bands.  
 Press and hold the **MODE** button to access the Weatherband (WB).

### Manual Tuning

Press the **SEEK >>|** / **|<<** buttons (15, 13) to seek stations up/down step by step.

### Auto Seek Tuning

Press and hold the **SEEK >>|** / **|<<** buttons (15, 13) to automatically seek the next or previous strong station.

**NOTE:** Seek tuning is not available for weather band channels. Use the up or down tuning buttons to manually select any of the seven available weather band channels.

### Preset Stations

Six numbered preset buttons store and recall stations for each band.

### Store a Station

Select a band (if needed), then select a station. Press and hold a 1-6 preset button for two seconds. The present number will appear in the display.

### Recall a Station

Select a band (if needed). Press a 1-6 preset button to select the corresponding stored station.

## Automatically Store / Preset Scan (AS/PS)

### Automatically Store

Select an AM or FM band. Press and hold the **AS/PS/FAV** button (10) for more than 2 seconds to automatically select 18 strong stations (12 for AM). "Storing Presets" appears on the screen and the new stations replace any stations already stored.

### Preset Scan

Select a band. Press **AS/PS/FAV** button (10) to scan stations stored in the current band. The unit will pause for 5 seconds at each preset station. Press **AS/PS/FAV** again to stop scanning when the desired station is reached.

### RBDS Operation

This unit is equipped to display RBDS (Radio Broadcast Data Service) information when broadcast by the radio station.

**NOTE:** Radio stations broadcasting RBDS may not be available in your listening area.

In FM radio mode, press the **PTY/CAT/MENU** button (21) to access the PTY menu and choose from the following Program Type (PTY) options: ANY / News / Information / Sports / Talk / Rock / Classic Rock / Adult Hits / Soft Rock / Top 40 / Country / Oldies / Soft / Nostalgia / Jazz / Classical / Rhythm and Blues / Soft Rhythm & Blues / Foreign Language / Religious Music / Religious Talk / Personality / Public / College / Weather / Emergency Test / ALARM! ALARM!

To search for stations in a PTY category:

1. Press the **PTY/CAT/MENU** button (21) to view the current PTY category.
2. Press the **SEEK >>|** or **|<<** buttons (15, 13) to move through the list of available categories and select the program type you wish to search.
3. After selecting the desired PTY, press the **INFO/ENTER** button (14) to search the band for broadcasts of this type. "PTY Search" is displayed while the tuner is searching.

**NOTE:** Performing a PTY search on "ANY" will Seek Tune and stop on any station broadcasting RBDS, regardless of the program type.



## Weather Band Operation

### *What is the NOAA Weather Radio/Weatheradio Canada?*

NOAA (National Oceanic and Atmospheric Administration) is a nationwide system that broadcasts local weather emergency information 24 hours a day via the National Weather Service (NWS) network. The U.S. network has more than 530 stations covering the 50 states as well as the adjacent costal waters, Puerto Rico, the U.S. Virgin Islands and the U.S. Pacific Territories. Each local area has its own transmitting station and there are a total of seven broadcasting frequencies used. A similar system is available in Canada under the Weatheradio Canada service administered by Environment Canada.

### *Tuning to Weatherband*

Press and hold the **BAND/WB** button (9) to access the Weatherband. The indication "WB" will appear on the display panel, along with the current number and channel indication: "WB-1", "WB-2", "WB-3", "WB-4", "WB-5", "WB-6" or "WB-7". The seven frequencies are shown in the following table:

**Table 1: WB Frequencies**

Frequency (MHz)	Preset
162.400	2
162.425	4
162.450	5
162.475	3
162.500	6
162.525	-
162.550	1

The above table also shows which preset button will access the frequency. Note that one frequency cannot be accessed using a preset button. The frequency can only be reached using the tuning controls.

Use the **SEEK >>|** or **|<<** buttons (15, 13) or the preset buttons to tune to each of the seven channels until you find the weatherband station broadcasting in your area.

### *How many stations can I expect to receive?*

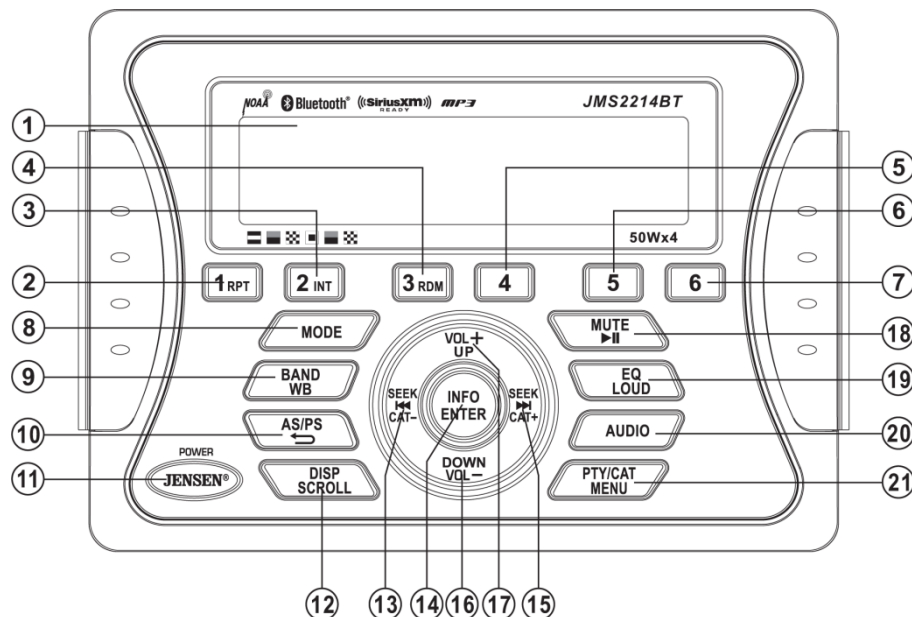
Since the broadcasts are local weather and information, the transmission power is usually very low (much less than standard AM or FM stations) so you will usually receive only one station unless you are on the edge of two or more broadcast signals. The most you will receive will be two or three, and that is rare.

### *Is it possible I won't receive any stations?*

Depending on where you are located, there is a possibility you will receive only a very weak signal or none at all. Also, similar to AM and FM signals, weatherband signals are subject to surrounding conditions, weather, obstructions of the signal by hills or mountains, etc.

## DIGITAL FILE PLAYBACK

If the user connects a USB mass storage device, the radio automatically powers on, if necessary, and switches to digital file playback mode and selects that physical media. The bottom left corner of the LCD displays the name of the source. Changing modes or turning off the radio pauses playback. Playback will resume exactly where paused when returning to digital file playback mode.



### Inserting a USB Device

The wired USB connector is at the rear of the radio. Insert a USB device to automatically access USB mode and begin playback.

### Controlling File Playback

#### Selecting Files

Press the **SEEK >>** (15) or **SEEK <<** button (13) to advance to the next track/ file in the current folder. The selected track number will appear on the display. *Press and hold* the **SEEK >>** or **SEEK <<** button to fast forward or fast reverse. Playback resumes when the button is released.

#### Play/Pause

Press the **MUTE /▶||** button (18) to suspend playback. "Pause" is displayed on the screen. Press the **MUTE /▶||** button again to resume play.

#### Repeat Play

Press the **1/RPT** button (2) during disc play to repeat the current track. Press **1/RPT** again to stop repeat play.

#### Previewing Tracks

Press the **2/INT** button (3) to play the first 10 seconds of each track in the current folder sequentially. Press **2/INT** again to stop Intro Scan and resume normal play at the current track.

#### Random Play

Press the **3/RDM** button (4) during disc play to play all tracks in the current folder in random, shuffled order. Press **3/RDM** again to stop random play.

#### Folder Navigation (MP3 Only)

Press the **PTY/CAT/MENU** button (21) to view a list of all songs in the current folder. Press the **PTY/CAT/MENU** button again to navigate up through the file structure. Press the **VOL +/UP** (17) and **DOWN/VOL -** (16) buttons to navigate the list. Press the **INFO/ENTER** button (14) to play the highlighted song or view files in the selected folder. Continue pressing **INFO/ENTER** until the desired file is selected. The unit will automatically exit the folder navigation menu after 5 seconds of inactivity.

## MP3 Specifications

#### Notes on MP3 Playback

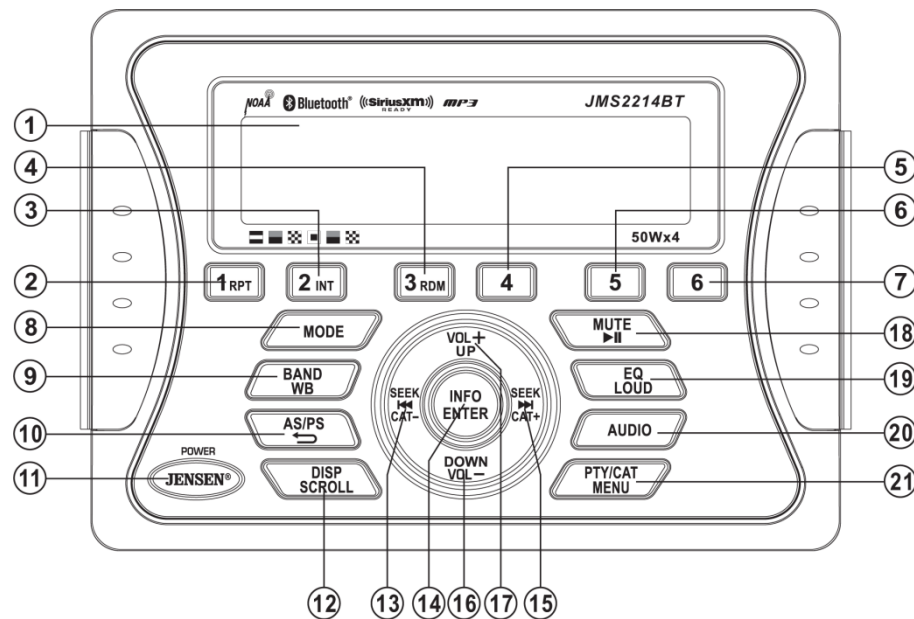
- Any directory that does not include an MP3 file is skipped
- Maximum number of folders: 512 (including skipped directories)
- Maximum number of folder levels: 12
- Maximum number of MP3 files: 999
- Maximum number of characters for MP3 file name and folder name: 32
- Sampling frequency: 16KHz, 22.05KHz, 24KHz, 32KHz, 44.1KHz, 48KHz
- Bit rates: maximum 384 Kbps
- Maximum number of Characters of ID3 Tag:
  - ID3 Tag version 1.0: 32
  - ID3 Tag version 2.x: 32

#### File Playing Order

Files will be continually played sequentially within the current folder. To play songs in another folder, press the **PTY/CAT/MENU** button (21) twice to move up a folder level. Press the **VOL+ /UP** (17) and **DOWN/VOL-** (16) buttons to navigate the list and then press the **INFO/ENTER** button (14) to access the selected song or folder.

You can set the order in which MP3/WMA are to be played by storing them with their file names beginning with play sequence numbers such as "01" to "99".

## SIRIUSXM RADIO OPERATION



**NOTE:** SIRIUSXM is available in the US for subscribers with addresses in the continental US and is available in Canada for subscribers with a Canadian address. Required subscription plus compatible SIRIUSXM tuner and antenna are required and sold separately. To subscribe to SIRIUSXM on the internet, visit [siriusxm.com](http://siriusxm.com), or call 888-539-7474. Have your SIRIUSXM ID ready (SIRIUSXM ID is located on the back of the SiriusXM tuner or by tuning to Channel 0). SIRIUSXM programming is subject to change. Visit [siriusxm.com](http://siriusxm.com) for the most complete and up-to-date channel lineup and product information. "SIRIUSXM" and the SIRIUSXM dog logo and related marks are trademarks of SiriusXM Inc. All rights reserved.

### Switching to SIRIUSXM Satellite Radio (Requires optional SIRIUSXM tuner)

Press the **MODE** button (8) as many times as necessary to change the mode to SIRIUSXM radio mode.

### Accessing your SIRIUSXM Radio ID

To display your SIRIUSXM radio ID, use the **SEEK |<<** button (13) to tune to channel "000". The screen will display "SIRIUSXM ID" with the SID displayed in the middle of the LCD screen. The SIRIUSXM radio ID is 12 characters long.

### Selecting a Band

In SIRIUSXM mode, press the **BAND/WB** button (9) to access the SIRIUSXM user-preset channel groups in the following order: SXM1, SXM2, SXM3.

### Category Tuning

1. Press the **PTY/CAT/MENU** button (21) to access Category mode.
2. While in category mode, press **SEEK >>| / CAT+** OR **SEEK |<< / CAT-** buttons (15, 13) to choose a category.
3. Press the **VOL +/-** buttons (17, 16) to choose desired channels in that category. (The current channel number within the chosen category will always be the default first channel tuned.)
4. Press the **INFO/ENTER** button (14) to play the highlighted channel and return to channel tuning mode.

### Channel Up/Down Tuning

Press the **SEEK |<< / >>|** buttons (13, 15) to search for a channel. *Press and hold* the **SEEK** buttons to fast search.

### Direct Tuning Mode

1. *Press and hold* the **INFO/ENTER** button (14) to enter direct tuning mode.
2. Press **VOL +/-** buttons (17, 16) to change the first of three digits for the desired channel in the direct entry screen.
3. Press the **INFO/ENTER** button to confirm the entered digit and move to the second digit field.
4. Press **VOL +/-** buttons to select the second digit.
5. Press the **INFO/ENTER** button to confirm the entered digit and move to the third digit field.
6. Press **VOL +/-** buttons to select the third digit.
7. Press the **INFO/ENTER** button to confirm the three digit channel and tune to the selected channel.

### Storing Preset Channels

The preset buttons (1-6) can be used to store 6 channels, allowing convenient access to your favorite channels.

#### Programming Channels

1. Select the channel you want to store in memory.
2. *Press and hold* a 1-6 preset button until the corresponding preset button number appears.
3. Repeat steps 1 and 2 to program additional channels.

#### Preset Recall

Press one of the six preset buttons to directly select a preset channel stored in the current band.

#### Preset Scan

Press **AS/PS** button (10) to scan stations stored in all three user-preset channel groups (SXM1, SXM2 and SXM3). The unit will pause for 10 seconds at each preset station. Press **AS/PS** again

to stop scanning when the desired station is reached.

**Preset Tuning**

In Preset Tuning Mode, you can use the **SEEK** [ << / >> ] buttons (13, 15) to access all 18 preset stations in sequential order.

**Alternate Display Mode**

Press the **DISP/SCROLL** button (12) to change the display information between single and dual line text display. In dual line mode, both artist and title are available for viewing.

*Press and hold* the **DISP/SCROLL** button to scroll the Artist/Song Title information.

While in category tuning list mode, press the **DISP/SCROLL** button in sequence to change the display information from Channel Name, Artist, and Song Title.

**Satellite Signal Strength**

The display will indicate satellite reception strength as shown below.

Signal Strength	Strength Display
No Signal	
Weak	
Good	
Excellent	

**Channel Lock**

Access Channel Lock through the System Menu under the “SIRIUSXM Satellite Radio” menu.

See “System Menu” on page 6.

1. Select “Set Lock Code”.
2. No channels can be locked with the default 0000 code. To set the lock code:
  - a. Press the **VOL +/-** buttons (17, 16) to enter the first digit of the default code.
  - b. Press the **INFO/ENTER** button (14) to move to the next digit.
  - c. Repeat above steps to enter all 4 digits of the default code.
  - d. Press the **VOL +/-** buttons to enter the first digit of the new code.
  - e. Press the **INFO/ENTER** button to move to the next digit.
  - f. Repeat above steps to enter all 4 digits.
  - g. Repeat above steps to confirm the new code.
3. After setting a new four digit code, you can lock channels by entering the “Locked Channels” menu.
4. Upon entering the code, you can navigate the list using the **VOL +/-** buttons to highlight

the channels.

5. Press the **INFO/ENTER** button (16) to Lock (indicated by a icon) or Unlock ( ) the selected channel.

**Favorites (Song/Artist Seek)**

This feature lets you search for and store up to 15 Artist/Song combinations on SIRIUSXM Satellite Radio. To enable favorites notification, turn Enable Song Seek on under the “SIRIUSXM Satellite Radio.” See “System Menu” on page 6.

1. Select “Enable Song Seek” from the “SIRIUSXM Satellite Radio” submenu on the System Menu.
2. Press the **INFO/ENTER** button (14) to select “Yes”.

**Select/Set Favorite Song or Artist**

1. While the current song is playing, press and hold the **AS/PS** button (10).
2. Press the **INFO/ENTER** button (14) to select the Artist to be stored or *press and hold* the **AS/PS** button to select the Song to be stored.

Next time the stored artist or song is played on SIRIUSXM Satellite Radio, you will be notified with an alert and can then choose to tune the channel playing the Song or Artist.

**Remove Favorite Song or Artist**

The list of stored Artist/Songs can be managed through the System Menu under the “SIRIUSXM Satellite Radio” menu. See “System Menu” on page 6.

1. Select “Remove Favorites”
2. Select items to be removed from notification list.





## iPod® OPERATION

This unit is equipped with an iPod® ready function that will allow you to control your iPod (if compatible) using the control panel buttons. This unit is made for the following iPod models:

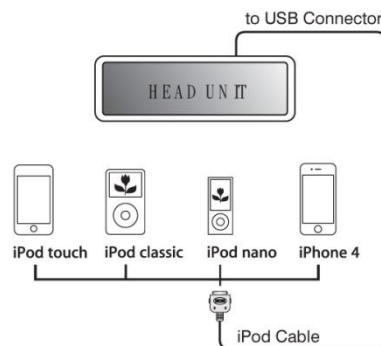
- iPod touch (2nd generation)
- iPod touch (1st generation)
- iPod Classic
- iPod nano (6th generation)
- iPod nano (5th generation)
- iPod nano (4th generation)
- iPod nano (3rd generation)
- iPod nano (2nd generation)
- iPod nano (1st generation)
- iPod with video
- iPhone
- iPhone 3G
- iPhone 3GS

**NOTE: Earlier model iPod's are not supported because they do not implement the required control protocol. Also, the iPod shuffle is not supported because it does not utilize the 30-pin Apple iPod Connector. These unsupported iPod models may be connected to the radio using one of the Auxiliary Inputs.**

### Accessing iPod Mode

The unit will automatically switch to iPod mode when an iPod is plugged into the iPod cable. To return to the iPod menu from any other source, press the **MODE** button (8) on the control panel or remote control until "iPod" appears on the display.

**NOTE: The iPod will continuously recharge when connected to the unit, as long as the **vehicle** ignition is turned on.**



### Controlling Playback

#### Pausing Playback

During playback, press the **MUTE /▶||** button (18) to pause the iPod player. "Pause" will appear on the LCD. Press **MUTE /▶||** button again to resume playback.

#### Repeat Play

During playback, press the **1/RPT** button (2) to repeat the current song. "Repeat" will appear on the LCD. Press **1/RPT** again to stop repeat playback.

#### Random Play

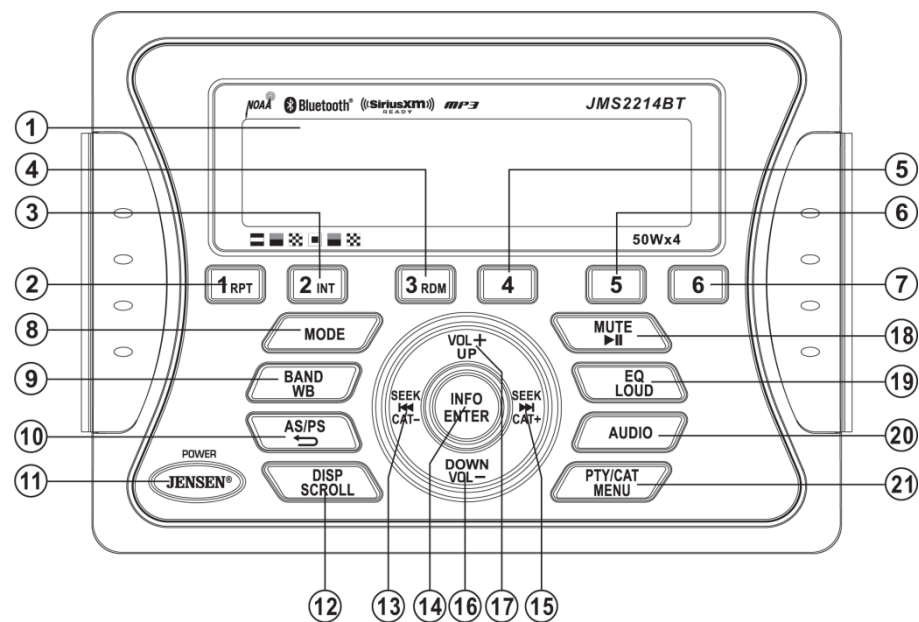
During playback, press the **3/RDM** button (4) to play all songs in the current category in random order. Random play will begin once the current song has finished playing. "Shuffle" will appear on the LCD. Press **3/RDM** again to stop random playback.

#### Selecting Tracks

During playback, press the **SEEK << / >>** buttons (13, 15) to play the previous or next track in the current category. Press the **SEEK <<** button (13) once to play the song from the start position or press **SEEK <<** button twice to play the previous track.

Press and hold the **SEEK << / >>** buttons (13, 15) to fast reverse/forward the song.

**NOTE: If you press and hold the SEEK << or >> button to change the current song to the previous/next song, you will exit fast reverse/forward mode.**



### Alternate Display Mode

Press the **DISPLAY/SCROLL** button (9) to change the display information between single and dual line text display. In dual line mode, both artist and title are available for viewing.



## Playlist Search

Press the **PTY/CAT/MENU** button (21) to access Playlist selection mode. While in Category mode, press the **VOL +/-** buttons (17, 16) to choose file search by Playlist, Artist, Album, Genre, Song, Audiobook or Podcast. Press the **INFO/ENTER** button (14) to select the search mode. Use the **VOL +/-** buttons (17, 16) buttons to search the available files on the iPod. Press the **INFO/ENTER** button to play the selected song or file.



## BLUETOOTH OPERATION

The JMS2214BT includes built-in Bluetooth technology that allows you to connect this head unit to Bluetooth devices for streaming audio playback.

### About Bluetooth Technology

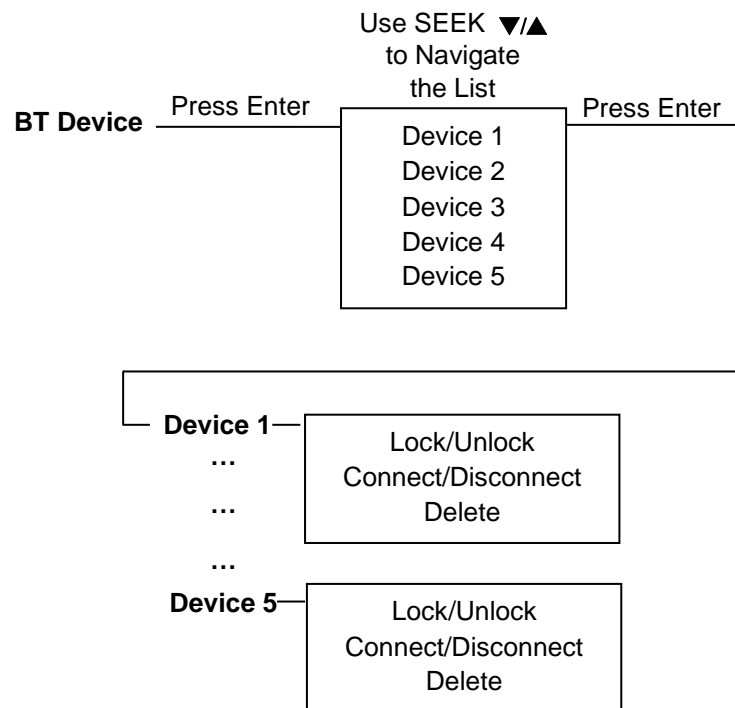
Bluetooth is a short-range wireless radio connectivity technology developed as a cable replacement for various electronic devices. Bluetooth operates in 2.4 GHz frequency range and transmits voice and data at speeds up to 1 megabit per second. Bluetooth was launched by a special interest group (SIG) comprised of Ericsson Inc., Intel Corp., Nokia Corp., Toshiba and IBM in 1998, and it is currently developed by nearly 2,000 companies worldwide. The Bluetooth word mark and logos are owned by the Bluetooth SIG, Inc. and any use of such marks is under license. Other trademarks and trade names are those of their respective owners.

### Bluetooth Menu Options

**NOTE: Please note that some BT menu options are only available while the unit is in BT Audio mode.**

Press and hold the **PTY/CAT/MENU** button (21) to enter menu adjustment mode. Repeatedly press the **VOL +/-** buttons (17, 16) to access the following Bluetooth Menu options:

- **BT ON/OFF:** Press the **VOL +/-** buttons to choose "BT ON" or "BT OFF", then press the **ENTER** button (14) to select.
- **BT PAIR:** Press the **VOL +/-** buttons to choose "ON" or "OFF", then press the **ENTER** button to start pairing mode.
- **BT DEVICE:** Press the **ENTER** button to view a list of previously paired mobile phone device models. Press the **VOL +/-** buttons to view devices from the list. You cannot delete a device that is actively connected. Press the **ENTER** button to select the device. Press the **VOL+** or **VOL-** button to choose Lock/Unlock, Disconnect or Delete for this device.
  - **LOCK/UNLOCK:** The JMS2214BT can store up to 5 devices for BT connection. The devices are stored in FIFO (First In First Out) order. To prevent a device from being bumped from the list when more than 5 devices are used, you must lock the device. To Lock/Unlock a device, press the **ENTER** button to display/change the Locked (🔒) or Unlocked (🔓) icon.
  - **DISCONNECT:** To disconnect a paired device, press the **ENTER** button to temporarily remove the BT link. The link can be re-established through your phone menu by selecting the JMS2214BT for connection.
  - **DELETE:** To delete a device from the list, press the **ENTER** button.



### Pairing a Bluetooth Device

Before you begin, consult the owner's manual for the Bluetooth device you want to pair with the JMS2214BT.

1. Make sure the device is on and ready to receive a signal from the JMS2214BT. With the JMS2214BT in BT Audio mode, choose BT Pair from the JMS2214BT menu and press the **VOL-** button to select ON. The unit is waiting to connect to a mobile phone device. With the BT function of the mobile device turned on, search for a Bluetooth device.
2. When the Bluetooth device has completed its search, the mobile phone will display the Bluetooth device name (JMS2214BT).
3. Select JMS2214BT. The BT AUDIO icon (🎵) on the radio LCD will display.
4. Enter the pairing password (0000), if requested.

After connecting successfully, you will be able to listen to music stored on your Bluetooth enabled device through the radio.




## Answering a Call

When answering a call using a connected phone, BT AUDIO will pause. After hanging up from the call, BT AUDIO will continue on some phones. It may be necessary to press the play button on the smart phone to resume BT AUDIO.

## BT Audio (A2DP)

The A2DP music is available for Bluetooth enabled phones when the phone is connected. To access Bluetooth mode and play songs stored on your phone, press the **MODE** button (8).

While in BT mode, the BT Audio icon (  ) illuminates on the LCD.

### Selecting Tracks

During playback, press the **SEEK/TUNE/TRK** |<< / >>| button (13, 15) to play the previous or next track.

### Pausing Playback

During playback, press the **MUTE** /▶|| button (7) to pause the BT AUDIO player. “BT AUDIO ||” will appear on the LCD. Press **MUTE** /▶|| button again to resume playback.

If you change to another mode, the mobile phone audio will pause. Press the **MODE** button (8) to return to BT mode and resume mobile phone audio playback.

---

***NOTE: If a Bluetooth device is disconnected due to the power being turned off or if the device is disconnected inadvertently, the unit will automatically search for the matching BT mobile phone when the power is restored.***

---

## CARE AND MAINTENANCE

- Keep the product dry. If it does get wet, wipe it dry immediately. Liquids might contain minerals that can corrode the electronic circuits.
- Keep the product away from dust and dirt, which can cause premature wear of parts.
- Handle the product gently and carefully. Dropping it can damage circuit boards and cases, and can cause the product to work improperly.
- Wipe the product with a dampened cloth occasionally to keep it looking new. Do not use harsh chemicals, cleaning solvents, or strong detergents to clean the product.
- Use and store the product only in normal temperature environments. High temperature can shorten the life of electronic devices, damage batteries, and distort or melt plastic parts.

### Ignition

The most common source of noise in reception is the ignition system. This is a result of the radio being placed close to the ignition system (engine). This type of noise can be easily detected because it will vary in intensity of pitch with the speed of the engine.

Usually, the ignition noise can be suppressed considerably by using a radio suppression type high voltage ignition wire and suppressor resistor in the ignition system. (Most vessels employ this wire and resistor but it may be necessary to check them for correct operation.) Another method of suppression is the use of additional noise suppressors. These can be obtained from most CB/A radio or electronic supply shops.

### Interference

Radio reception in a moving environment is very different from reception in a stationary environment (home). It is very important to understand the difference.

AM reception will deteriorate when passing under a bridge or when passing under high voltage lines. Although AM is subject to environmental noise, it has the ability to receive at great distance. This is because broadcasting signals follow the curvature of the earth and are reflected back by the upper atmosphere.

## TROUBLESHOOTING

Symptom	Cause	Solution
No power	The vessel's accessory switch is not on	If the power supply is properly connected to the vessel's accessory terminal, switch the ignition key to "ACC"
	Fuse is blown	Replace the fuse
No sound	Volume too slow	Adjust volume to audible level
	Wiring is not properly connected	Check wiring connections
The operation keys do not work	The built-in microcomputer is not operating properly due to noise	Press the <b>RESET</b> button
Cannot tune to radio station, auto-seek does not work	The antenna cable is not connected	Insert the antenna cable firmly
	Signals are too weak.	Select a station manually



# SPECIFICATIONS

## **FM Radio**

Frequency Coverage (USA) . . . . . 87.5 to 107.9 MHz  
 Frequency Coverage (Europe) . . . . . 87.5 to 108 MHz  
 Sensitivity (S/N=30dB) . . . . . 4  $\mu$ V  
 Image Rejection . . . . . >45 dB  
 Stereo Separation . . . . . >25 dB

## **AM/MW**

Frequency Range (USA) . . . . . 530-1710 kHz  
 Frequency Range (Europe) . . . . . 522-1620 kHz  
 Sensitivity (S/N=20dB) . . . . . 36 dB

## **General**

Operating Voltage . . . . . DC 12 Volts  
 Grounding System . . . . . Negative Ground  
 Speaker Impedance . . . . . 4-8  $\Omega$  ohms per channel  
 Tone Controls:  
     Bass (at 100 Hz) . . . . .  $\pm$ 10 dB  
     Treble (at 10 kHz) . . . . .  $\pm$ 10 dB  
 Power Output . . . . . 50W x 4  
 Current Drain . . . . . 15 Ampere (max.)  
 Commander Dimensions . . . . . 5.15" (W) x 1.2" (D) x 3.7" (H)  
 Tuner/Amp Dimensions . . . . . 8.35" (W) x 6.55" (D) x 2.4" (H)



ASA Electronics Corporation

[www.asaelectronics.com](http://www.asaelectronics.com)

[www.jensenmarinedirect.com](http://www.jensenmarinedirect.com)

©2014 ASA Electronics Corporation

## Free Manuals Download Website

<http://myh66.com>

<http://usermanuals.us>

<http://www.somanuals.com>

<http://www.4manuals.cc>

<http://www.manual-lib.com>

<http://www.404manual.com>

<http://www.luxmanual.com>

<http://aubethermostatmanual.com>

Golf course search by state

<http://golfingnear.com>

Email search by domain

<http://emailbydomain.com>

Auto manuals search

<http://auto.somanuals.com>

TV manuals search

<http://tv.somanuals.com>