

# JVC

## SERVICE MANUAL

### COLOUR TELEVISION

**AV-32X37SUE, AV-32X37HKE,  
AV-32X37HIE, AV-32X35HUE,  
AV-32X35HKE, AV-32H35SUE**

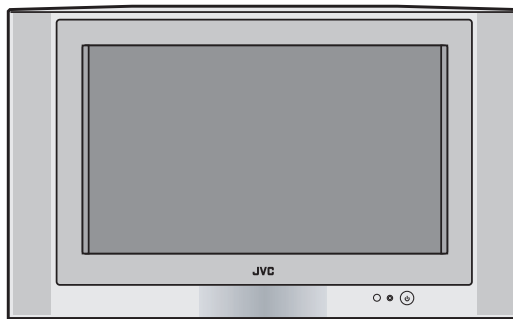
BASIC CHASSIS

ML

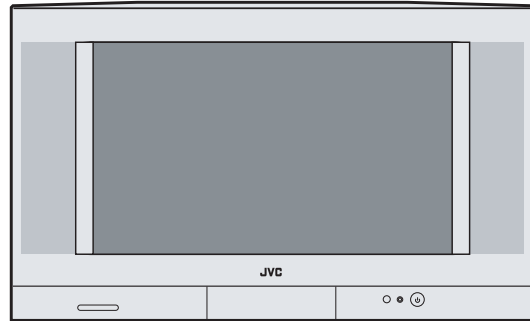
InterArt  
*Natural Vision*  
**T-V LINK**



<RM-C54H>  
<RM-C55H>



AV-32X35HUE  
AV-32X35HKE  
AV-32H35SUE



AV-32X37SUE  
AV-32X37HKE  
AV-32X37HIE

### TABLE OF CONTENTS

1	PRECAUTIONS .....	1-4
2	SPECIFIC SERVICE INSTRUCTIONS .....	1-6
3	ADJUSTMENT .....	1-14

## SPECIFICATION

Item		Content			
		AV-32X35HUE AV-32H35SUE	AV-32X37SUE	AV-32X35HKE	AV-32X37HKE AV-32X37HIE
Dimensions ( W x H x D )		94.8cm x 56.2cm x 54.7cm	94.8cm x 56.2cm x 55.0cm	94.8cm x 56.2cm x 54.7cm	94.8cm x 56.2cm x 55.0cm
Mass		52.8kg (AV-32X35HUE) 51.8kg (AV-32H35SUE)	52.5kg	52.8kg	52.5kg
TV RF System		CCIR (B/G, D/K, I , L/L')		CCIR (I)	
Colour System		PAL / SECAM / NTSC (Only in EXT mode)		PAL	
Stereo System		A2 (B/G, D/K) / NICAM (B/G, I, D/K, L)		NICAM (I)	
Teletext System		FLOF (Fastext) TOP (German system) WST(World standard system)		FLOF (Fastext) WST(World standard system)	
Receiving Frequency	VHF	47MHz ~ 470MHz		Not available	Not available (AV-32X37HKE) 47MHz ~ 470MHz (AV-32X37HIE)
	UHF	470MHz ~ 862MHz			
	French CATV	116MHz ~ 172MHz / 220MHz ~ 469MHz		-----	
Intermediate Frequency	VIF Carrier	38.9MHz (B/G, D/K, I , L) / 33.95MHz (L')		38.9MHz (I)	
	SIF Carrier	33.4MHz (5.5MHz:B/G) / 32.9MHz (6.0MHz:I) / 32.4MHz (6.5MHz:L, D/K) / 40.45MHz (6.5MHz:L')		32.9MHz (6.0MHz:I)	
Colour Sub Carrier Frequency	PAL	4.43MHz			
	SECAM	4.40625MHz / 4.25MHz		-----	
	NTSC	3.58MHz / 4.43MHz		3.58MHz	
Power Input		AC220V ~ AC240V, 50Hz			
Power Consumption		195W(Max) / 130W(Avg), standby : 2.5W			
Aerial Input Terminal		75ohm unbalanced, coaxial			
Picture Tube		Visible size : 76cm (Measured diagonally) H : 67.4cm x V : 38.4cm			
High Voltage		31.0kV (+1kV / -1.5kV) (CRT cutoff, FULL mode)			
Speaker		13cm x 6.5cm oval type x 2			
Audio Power Output		10W + 10W			
EXT-1 / EXT-2 / EXT-3 (Input / Output)		21-pin Euro connector (SCART socket x 3)			
EXT-4 (Input)	Video	1V(p-p) 75ohm (RCA pin jack x 1)			
	Audio (L/R)	500mV(rms) (-4dBs), High impedance (RCA pin jack x 2)			
	S-Video	Mini din 4 pin x 1 Y : 1V(p-p) positive (negative sync provided, when terminated with 75ohm ) C : 0.3V(p-p) (Burst signal, when terminated with 75ohm )			
AUDIO OUT (Variable)		0~1000mV(rms), Low impedance (RCA pin jack x 2)			
Headphone Jack		Stereo mini jack (Ø3.5mm) x 1			
Remote Control Unit		RM-C54H (AAA/R03 dry battery x 2)		RM-C55H (AAA/R03 dry battery x 2)	

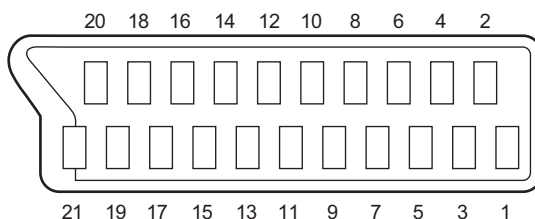
Design & specifications are subject to change without notice.

21-pin Euro connector (SCART) : EXT-1/EXT-2/EXT-3

PinNo.	Signal Designation	Matching Value	EXT-1	EXT-2	PinNo.	EXT-3
1	AUDIO R output	500mV(rms) (Nominal), Low impedance	Used (TV OUT)	Used (LINE OUT)	22	NC
2	AUDIO R input	500mV(rms) (Nominal), High impedance	Used (R1)	Used (R2)	23	Used (R3)
3	AUDIO L output	500mV(rms) (Nominal), Low impedance	Used (TV OUT)	Used (LINE OUT)	24	Not used
4	AUDIO GND		Used	Used	25	Used
5	GND (B)		Used	Used	26	Used
6	AUDIO L input	500mV(rms) (Nominal), High impedance	Used (L1)	Used (L2)	27	Used (L3)
7	B input	700mV <sub>(B-W)</sub> , 75 ohm	Used	Used	28	Not used
8	FUNCTION SW (SLOW SW)	Low : 0V-3V, High : 8V-12V, High impedance	Used	Used	29	Used
9	GND (G)		Used	Used	30	Used
10	SCL / T-V LINK		Not used	Used (SCL2 / TV-LINK)	31	Not used
11	G input	700mV <sub>(B-W)</sub> , 75 ohm	Used	Used	32	Not used
12	SDA		Not used	Used(SDA2)	33	Not used
13	GND (R)		Used	Used	34	Used
14	GND (YS)		Used	Not used	35	Not used
15	R / C input	R : 700mV <sub>(B-W)</sub> , 75 ohm C : 300mV <sub>(P-P)</sub> , 75 ohm	Used (R)	Used (C2/R)	36	Used (C3)
16	Ys input (FAST SW)	Low : 0V-0.4V, High : 1V-3V, 75 ohm	Used	Used	37	Not used
17	GND (VIDEO output)		Used	Used	38	Used
18	GND (VIDEO input)		Used	Used	39	Used
19	VIDEO output	1V <sub>(P-P)</sub> (Negative sync), 75 ohm	Used (TV OUT)	Used (LINE OUT)	40	Not used
20	VIDEO / Y input	1V <sub>(P-P)</sub> (Negative sync), 75 ohm	Used	Used	41	Used
21	COMMON GND		Used	Used	42	Used

(P-P= Peak to Peak, B-W= Blanking to white peak)

[Pin assignment]



## SECTION 1 PRECAUTIONS

### 1.1 SAFETY PRECAUTIONS [EXCEPT FOR UK]

- (1) The design of this product contains special hardware, many circuits and components specially for safety purposes. For continued protection, no changes should be made to the original design unless authorized in writing by the manufacturer. Replacement parts must be identical to those used in the original circuits. Service should be performed by qualified personnel only.
- (2) Alterations of the design or circuitry of the products should not be made. Any design alterations or additions will void the manufacturer's warranty and will further relieve the manufacturer of responsibility for personal injury or property damage resulting therefrom.
- (3) Many electrical and mechanical parts in the products have special safety-related characteristics. These characteristics are often not evident from visual inspection nor can the protection afforded by them necessarily be obtained by using replacement components rated for higher voltage, wattage, etc. Replacement parts which have these special safety characteristics are identified in the parts list of Service manual. **Electrical components having such features are identified by shading on the schematics and by (  $\triangle$  ) on the parts list in Service manual.** The use of a substitute replacement which does not have the same safety characteristics as the recommended replacement part shown in the parts list of Service manual may cause shock, fire, or other hazards.
- (4) **Don't short between the LIVE side ground and ISOLATED (NEUTRAL) side ground or EARTH side ground when repairing.**  
 Some model's power circuit is partly different in the GND. The difference of the GND is shown by the LIVE : (  $\perp$  ) side GND, the ISOLATED (NEUTRAL) : (  $\perp$  ) side GND and EARTH : (  $\oplus$  ) side GND.  
 Don't short between the LIVE side GND and ISOLATED (NEUTRAL) side GND or EARTH side GND and never measure the LIVE side GND and ISOLATED (NEUTRAL) side GND or EARTH side GND at the same time with a measuring apparatus (oscilloscope etc.).  
 If above note will not be kept, a fuse or any parts will be broken.
- (5) If any repair has been made to the chassis, it is recommended that the B1 setting should be checked or adjusted (See ADJUSTMENT OF B1 POWER SUPPLY).
- (6) The high voltage applied to the picture tube must conform with that specified in Service manual. Excessive high voltage can cause an increase in X-Ray emission, arcing and possible component damage, therefore operation under excessive high voltage conditions should be kept to a minimum, or should be prevented. If severe arcing occurs, remove the AC power immediately and determine the cause by visual inspection (incorrect installation, cracked or melted high voltage harness, poor soldering, etc.). To maintain the proper minimum level of soft X-Ray emission, components in the high voltage circuitry including the picture tube must be the exact replacements or alternatives approved by the manufacturer of the complete product.
- (7) Do not check high voltage by drawing an arc. Use a high voltage meter or a high voltage probe with a VTVM. Discharge the picture tube before attempting meter connection, by connecting a clip lead to the ground frame

and connecting the other end of the lead through a 10k $\Omega$  2W resistor to the anode button.

- (8) When service is required, observe the original lead dress. Extra precaution should be given to assure correct lead dress in the high voltage circuit area. Where a short circuit has occurred, those components that indicate evidence of overheating should be replaced.  
 Always use the manufacturer's replacement components.

#### (9) Isolation Check (Safety for Electrical Shock Hazard)

After re-assembling the product, always perform an isolation check on the exposed metal parts of the cabinet (antenna terminals, video/ audio input and output terminals, Control knobs, metal cabinet, screw heads, earphone jack, control shafts, etc.) to be sure the product is safe to operate without danger of electrical shock.

##### a) Dielectric Strength Test

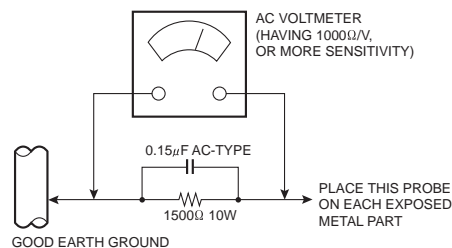
The isolation between the AC primary circuit and all metal parts exposed to the user, particularly any exposed metal part having a return path to the chassis should withstand a voltage of 3000V AC (r.m.s.) for a period of one second. (. . . Withstand a voltage of 1100V AC (r.m.s.) to an appliance rated up to 120V, and 3000V AC (r.m.s.) to an appliance rated 200V or more, for a period of one second.) This method of test requires a test equipment not generally found in the service trade.

##### b) Leakage Current Check

Plug the AC line cord directly into the AC outlet (do not use a line isolation transformer during this check.). Using a "Leakage Current Tester", measure the leakage current from each exposed metal part of the cabinet, particularly any exposed metal part having a return path to the chassis, to a known good earth ground (water pipe, etc.). Any leakage current must not exceed 0.5mA AC (r.m.s.). However, in tropical area, this must not exceed 0.2mA AC (r.m.s.).

##### Alternate Check Method

Plug the AC line cord directly into the AC outlet (do not use a line isolation transformer during this check.). Use an AC voltmeter having 1000 ohms per volt or more sensitivity in the following manner. Connect a 1500 ohm 10W resistor paralleled by a 0.15 $\mu$ F AC-type capacitor between an exposed metal part and a known good earth ground (water pipe, etc.). Measure the AC voltage across the resistor with the AC voltmeter. Move the resistor connection to each exposed metal part, particularly any exposed metal part having a return path to the chassis, and measure the AC voltage across the resistor. Now, reverse the plug in the AC outlet and repeat each measurement. Any voltage measured must not exceed 0.75V AC (r.m.s.). This corresponds to 0.5mA AC (r.m.s.). However, in tropical area, this must not exceed 0.3V AC (r.m.s.). This corresponds to 0.2mA AC (r.m.s.).



## 1.2 SAFETY PRECAUTIONS [FOR UK]

- (1) The design of this product contains special hardware and many circuits and components specially for safety purposes. For continued protection, no changes should be made to the original design unless authorized in writing by the manufacturer. Replacement parts must be identical to those used in the original circuits. Service should be performed by qualified personnel only.
- (2) Alterations of the design or circuitry of the product should not be made. Any design alterations or additions will void the manufacturer's warranty and will further relieve the manufacturer of responsibility for personal injury or property damage resulting therefrom.
- (3) Many electrical and mechanical parts in the product have special safety-related characteristics. These characteristics are often not evident from visual inspection nor can the protection afforded by them necessary be obtained by using replacement components rated for higher voltage, wattage, etc. Replacement parts which have these special safety characteristics are identified in the Parts List of Service Manual. Electrical components having such features are identified by shading on the schematics and by ( $\Delta$ ) on the Parts List in the Service Manual. The use of a substitute replacement which does not have the same safety characteristics as the recommended replacement part shown in the Parts List of Service Manual may cause shock, fire, or other hazards.
- (4) The leads in the products are routed and dressed with ties, clamps, tubing's, barriers and the like to be separated from live parts, high temperature parts, moving parts and / or sharp edges for the prevention of electric shock and fire hazard. When service is required, the original lead routing and dress should be observed, and it should be confirmed that they have been returned to normal, after re-assembling.

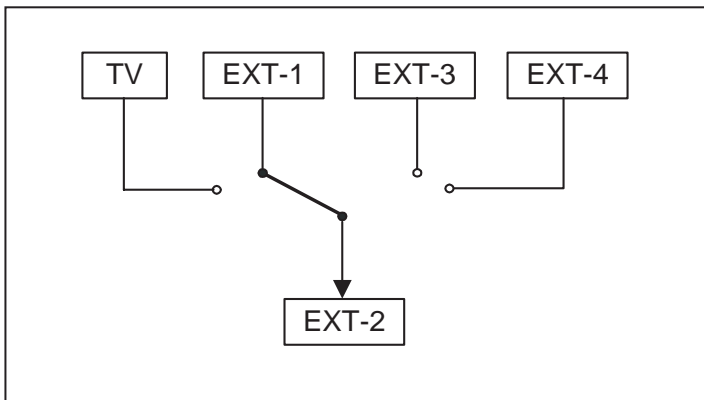
### WARNING

- (1) The equipment has been designed and manufactured to meet international safety standards.
- (2) It is the legal responsibility of the repairer to ensure that these safety standards are maintained.
- (3) Repairs must be made in accordance with the relevant safety standards.
- (4) It is essential that safety critical components are replaced by approved parts.
- (5) If mains voltage selector is provided, check setting for local voltage.

## SECTION 2 SPECIFIC SERVICE INSTRUCTIONS

### 2.1 FEATURES

- New chassis design enable use of an interactive on screen control.
- The TELETEXT SYSTEM has a built-in FASTEXT (UK system), TOP (German system) and WST (world standard system) system.
- Because this TV unit corresponds to multiplex broadcast, users can enjoy music programs and sporting events with live realism. In addition, BILINGUAL programs can be heard in their original language.
- Users can make VCR dubbing of picture and sound by controlling the AV selector to select an optional source at the EXT-2 output shown in figure.



### 2.2 MAIN DIFFERENCE LIST

△	Part Name	AV-32X37SUE AV-32X35HUE AV-32H35SUE	AV-32X37HKE AV-32X35HKE	AV-32X37HIE
△	MAIN PWB ASSY	SML-1001A-U2	SML-1901A-U2	SML-1001A-U2
△	MICOM&100Hz PWB ASSY	SML0Z001A-U2 SML0Z002A-U2 [Only AV-32H35SUE]	SML0Z001A-U2	SML0Z001A-U2
△	FRONT CABINET ASSY	LC11563-001A-U [AV-32X37SUE] LC11360-008A-U [AV-32X35HUE] LC11360-007A-U [AV-32H35SUE]	LC11563-002A-U [AV-32X37HKE] LC11315-008A-U [AV-32X35HKE]	LC11563-002A-U
△	REAR COVER	LC11316-001B-U LC11316-001C-U [Only AV-32X35HUE]	LC11316-001B-U	LC11316-001B-U
	REMOTE CONTROL UNIT	RM-C54H-1C	RM-C55H-1C	RM-C55H-1C

## 2.3 DISASSEMBLY PROCEDURE

### 2.3.1 REMOVING THE REAR COVER

- (1) Unplug the power cord.
- (2) Remove the 13 screws [A] as shown in the Fig. 1.
- (3) Withdraw the REAR COVER toward you.

### 2.3.2 REMOVING THE SIDE CONTROL JACK ASSEMBLY

- Remove the REAR COVER.
  - (1) Remove the 1 screw [B] as shown in the Fig.1.
  - (2) While slightly raise the SIDE CONTROL JACK ASSY, remove the 2 claws under the SIDE CONTROL JACK ASSY.
  - (3) Disconnect the connector [F] and [K] as shown in Fig. 2.

### 2.3.3 REMOVING THE SIDE CONTROL PWB

- Remove the REAR COVER.
- Remove the SIDE CONTROL JACK ASSY.
  - (1) Remove the 3 claws [C] from back side of the side control jack assembly as shown in Fig. 2.
  - (2) Pull out the SIDE CONTROL PWB.

### 2.3.4 REMOVING THE CHASSIS

- Remove the REAR COVER.
  - (1) Slightly raise the both sides of the chassis by hand and remove the 2 claws under the both sides of the CHASSIS from the front cabinet.
  - (2) Withdraw the CHASSIS backward.  
(If necessary, take off the wire clamp, connectors etc.)

### 2.3.5 REMOVING THE POWER & DEF. PWB

- Remove the REAR COVER.
- Remove the CHASSIS.
  - (1) Remove the 3 screws [D] as shown in Fig. 1.
  - (2) Remove the POWER & DEF. PWB upper.  
(If necessary, take off the wire clamp, connectors etc.)

### 2.3.6 REMOVING THE SIDE SPEAKER

- Remove the REAR COVER.
  - (1) Remove the 2 screws [E], and remove the SPEAKER ADAPTER as shown in Fig. 1.

**NOTE :**

- When removing the 2 screws [E] of the speaker holder remove the lower side screw first, and then remove the upper one.
- (2) Remove the 4 screws [F] attaching the SPEAKER.
  - (3) Follow the same steps when removing the other hand SPEAKER.

### 2.3.7 REMOVING THE AV TERMINAL BOARD

- Remove the REAR COVER.
  - (1) Remove the 3 screws [G] as shown in the Fig. 1.
  - (2) Remove the 2 claws [H] under the CHASSIS as shown in Fig. 3.
  - (3) Remove the AV TERMINAL BOARD slightly in the direction of arrow [I] as shown in Fig. 3.

### 2.3.8 CHECKING THE PW BOARD

- To check the back side of the PW Board.
  - (1) Pull out the CHASSIS. (Refer to REMOVING THE CHASSIS).
  - (2) Erect the CHASSIS vertically so that you can easily check the back side of the PW Board.

**CAUTION:**

- When erecting the CHASSIS, be careful so that there will be no contacting with other PW Board.
- Before turning on power, make sure that the wire connector is properly connected.
- When conducting a check with power supplied, be sure to confirm that the CRT EARTH WIRE (BRAIDED ASS'Y) is connected to the CRT SOCKET PW board.

### 2.3.9 WIRE CLAMPING AND CABLE TYING

- (1) Be sure to clamp the wire.
- (2) Never remove the cable tie used for tying the wires together.  
Should it be inadvertently removed, be sure to tie the wires with a new cable tie.

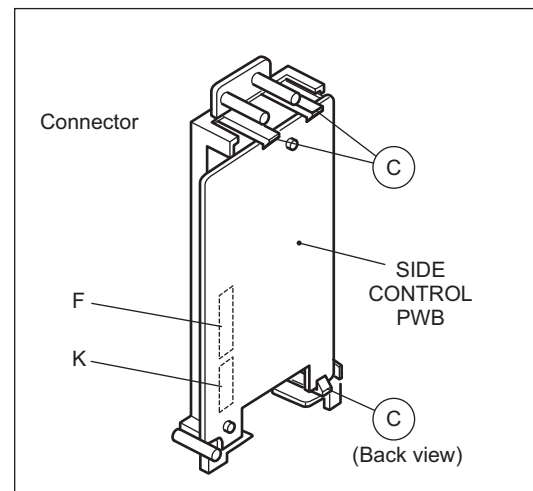


Fig.2

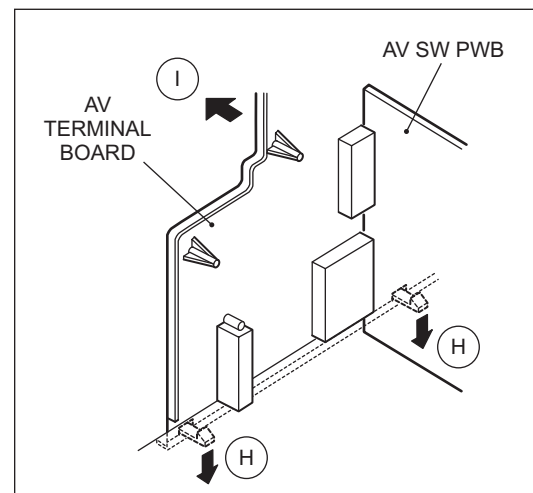
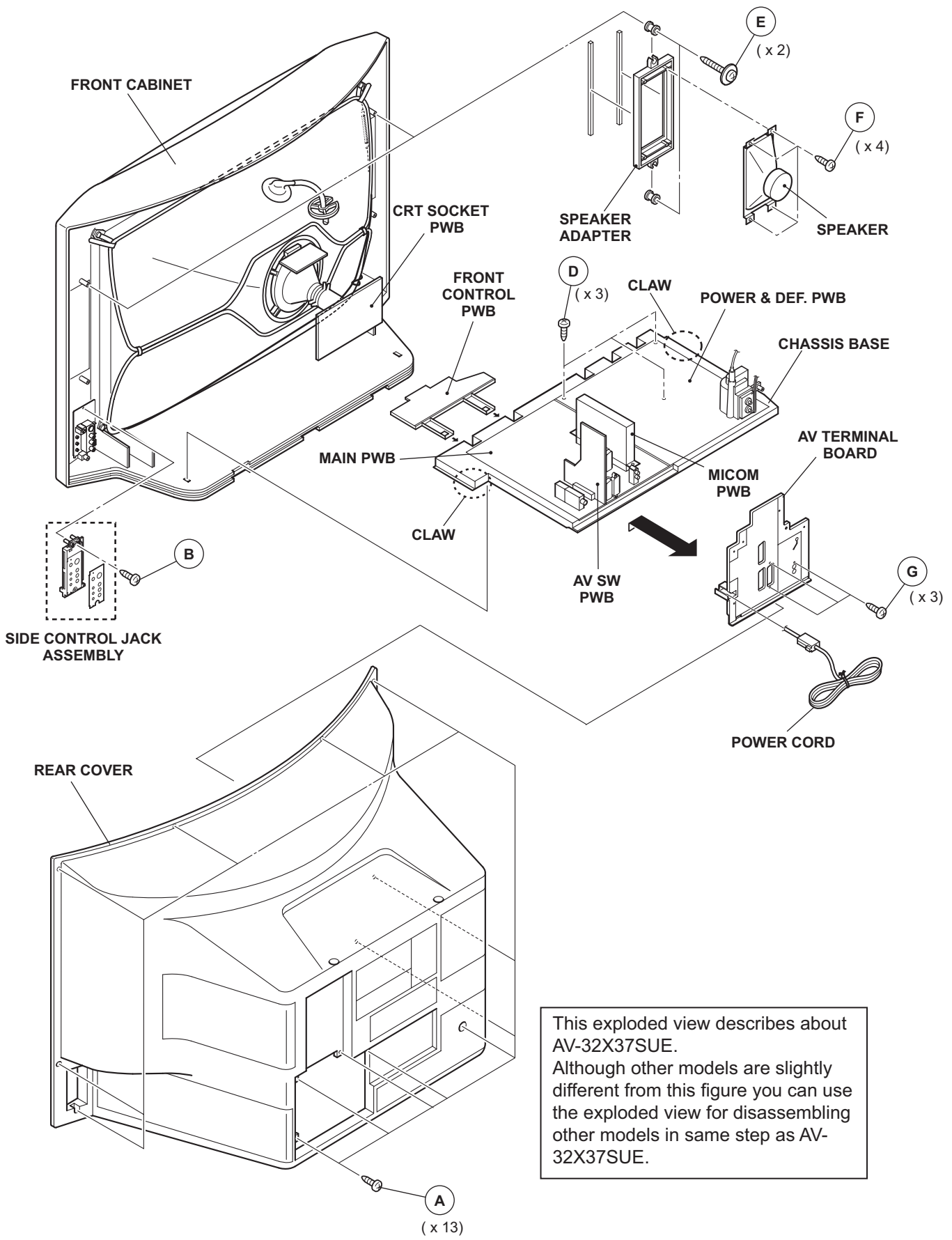


Fig.3



This exploded view describes about AV-32X37SUE. Although other models are slightly different from this figure you can use the exploded view for disassembling other models in same step as AV-32X37SUE.

Fig.1



### 2.3.10 REMOVING THE CRT

**Note:**

- Replacement of the CRT should be performed by 2 or more persons.
  - After removing the REAR COVER, CHASSIS etc.,
- (1) Putting the CRT change table on soft cloth, the CRT change table should also be covered with such soft cloth (shown in Fig. 4).
  - (2) While keeping the surface of CRT down, mount the TV set on the CRT change table balanced well as shown in Fig. 5.
  - (3) Remove 4 screws marked by arrows with a box type screwdriver as shown in Fig. 5.

**Note:**

Since the cabinet will drop when screws have been removed, be sure to support the cabinet with hands.

- (4) After 4 screws have been removed, put the cabinet slowly on cloth (At this time, be carefully so as not to damage the front surface of the cabinet) shown in Fig. 6.

**Note:**

- The CRT should be assembled according to the opposite sequence of its dismounting steps.
- The CRT change table should preferably be smaller than the CRT surface, and its height be about 35cm.

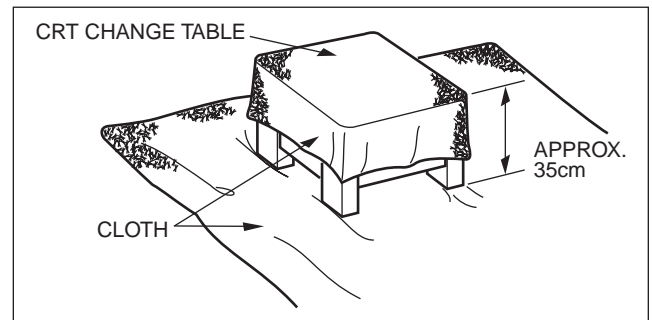


Fig.4

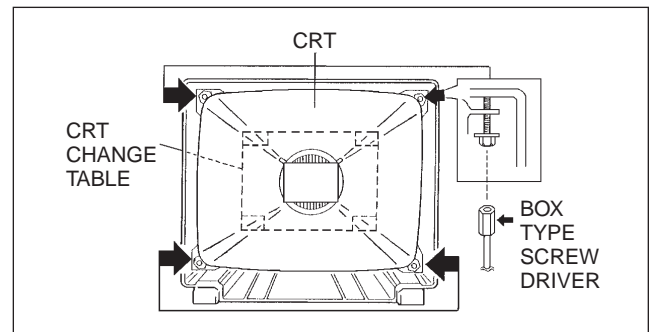


Fig.5

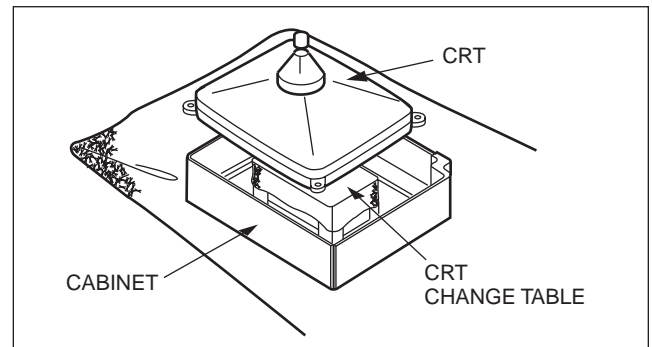


Fig.6

## 2.4 REPLACEMENT OF MEMORY IC

### 2.4.1 MEMORY IC

This TV use memory IC. In the memory IC, there are memorized data for correctly operating the video and deflection circuits. When replacing memory IC, be sure to use IC written with the initial values of data.

### 2.4.2 PROCEDURE FOR REPLACING MEMORY IC

PROCEDURE
<p><b>1. Power off</b> Switch the power off and unplug the power cord from the outlet</p>
<p><b>2. Replace IC.</b> Be sure to use memory IC written with the initial data values.</p>
<p><b>3. Power on</b> Plug the power cord into the outlet and switch the power on.</p>
<p><b>4. Check and set SYSTEM CONSTANT SET:</b>                      * It must not adjust without signal.                      (1) Press the [INFORMATION] key and the [MUTING] key of the REMOTE CONTROL UNIT simultaneously.                      (2) The SERVICE MENU screen of Fig. 1 will be displayed.                      (3) While the SERVICE MENU is displayed, press the INFORMATION key and [MUTING] key simultaneously, and the SYSTEM CONSTANT SET screen of Fig. 2 will be displayed.                      (4) Check the setting values of the SYSTEM CONSTANT SET of Table 1. If the value is different, select the setting item with the [FUNCTION UP/DOWN] key, and set the correct value with the [FUNCTION +/-] key.                      (5) Press the [MENU] key to memorize the setting value.                      (6) Press the [INFORMATION] key twice, and return to the normal screen.</p>
<p><b>5. Setting of receive channels</b> Set the receive channel. For setting, refer to the OPERATING INSTRUCTIONS.</p>
<p><b>6. User settings</b> Check the user setting values of Table 2, and if setting value is different, set the correct value. For setting, refer to the OPERATING INSTRUCTIONS.</p>
<p><b>7. Setting of SERVICE MENU</b> Verify the setting items of the SERVICE MENU of Table 3, and reset where necessary. For setting, refer to the ADJUSTMENT.</p>

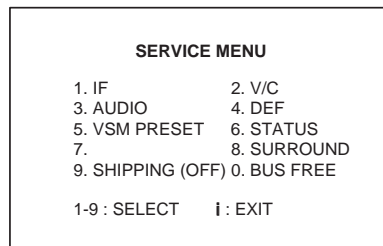


Fig.1



Fig.2

#### NAME OF REMOTE CONTROL KEY

Names of key	key
INFORMATION	
MUTING	
MENU	
FUNCTION UP/DOWN	
FUNCTION +/-	

### 2.4.3 SETTING VALUES OF SYSTEM CONSTANT SET (TABLE 1)

Setting item	Setting content	Setting value		
		AV-32X37SUE AV-32X35HUE AV-32H35SUE	AV-32X37HIE	AV-32X37HKE AV-32X35HKE
DESTINATION	EU → EK → EI	EU	EI	EK
CRT TYPE	16:9 → 4:3	16:09	16:09	16:09
PICTURE TILT	NO → YES	YES	YES	YES
POWER BASS	NO → YES	YES (X series)	YES	YES
		NO (H series)		
SPATIAL SURR	NO → YES	YES (X series)	YES	YES
		NO (H series)		
PIC&TEXT	NO → YES	YES (X series)	YES	YES
		NO (H series)		
PROGRESSIVE	NO → YES	YES (X series)	YES	YES
		NO (H series)		

### 2.4.4 USER SETTING VALUES (TABLE 2)

PICTURE SETTING		SOUND SETTING	
PICTURE MODE	BRIGHT	BASS	Center
CONTRAST / BRIGHT SHARP / COLOUR / HUE	Refer to VSM PRESET	TREBLE	Center
		BALANCE	Center
COLOUR TEMP	NORMAL	HYPHER SOUND	OFF
<b>PICTURE FEATURES</b>		DIGITAL SURROUND	OFF
DIGITAL VNR	AUTO	<b>3D CINEMA SOUND (Only X series)</b>	
DIGIPURE PRO	AUTO (Only X series)	SURROUND	MEDIUM
COLOUR SYSTEM	TV : According to preset CH	BASS BOOST	MEDIUM
	EXT : AUTO	<b>FEATURES</b>	
4:3 AUTO ASPECT	PANORAMIC	SLEEP TIMER	OFF
PICTURE TILT	MIDDLE	BLUE BACK	ON
<b>EXT SETTING</b>		DECODER (EXT-2)	OFF
ID	BLANK	<b>INSTALL</b>	
S-IN	BLANK	LANGUAGE	ENGLISH
DUBBING	EXT-1 --> EXT-2	AUTO PROGRAM	TV channel automatically set
		EDIT/MANUAL	PRESET CH only
			The others : BLANK

**2.4.5 SERVICE MENU SETING ITEMS (TABLE 3)**

Setting item	Setting value	Setting item	Setting value
1. IF	1. VCO 2. ATT ON/OFF	5. VSM PRESET	BRIGHT/SOFT/STD COOL/WARM/NOMAL
			1.CONT. 2.BRIGHT 3.SHARP 4.COLOUR 5.HUE
2. V / C	1.RGB BLK 2.CUTOFF R 3.CUTOFF G 4.CUTOFF B 5.WDR R 6.WDR G 7.WDR B 8.BRIGHT 9.CONTRAST 10.COLOUR 11.HUE 12.SHARP 13.SC ADJ. 14.SIDE.P.P 15.SIDE.P.W	6.STATUS <b>(Do not adjust)</b>	VPS PDC
3. AUDIO <b>(Do not adjust)</b>	1.ERR LIMIT 2.A2 ID THR 3.SYSTEM	8. SURROUND <b>(Do not adjust)</b>	1.CH CONFIG 2.MATRIX 3.REPROTECT IO 4.CENTER MODE 5.SPATIAL EFF 6.VIRTUAL EFF 7.BASS EFFECT 8.HARM 9.HPF 10.LPF 11.AMPLIMIT 12.LEVEL ADJ 13.SWC 14.SW HPF 15.VOLUME 16.HYPEREFFE 17.EFFECT MOD 18.HP-GAIN
4. DEF.	1.V-SHIFT 2.V-SIZE 3.H-CENT 4.H-SIZE 5.TRAPEZ 6.EW-PIN 7.COR-UP 8.COR-LO 9.COR-UP-S 10.COR-LO-S 11.ANGLE 12.BOW 13.V-S.CR 14.V-LIN	9.SHIPPING <b>(Do not adjust)</b>	ON/OFF

## 2.5 REPLACEMENT OF CHIP COMPONENT

### 2.5.1 CAUTIONS

- (1) Avoid heating for more than 3 seconds.
- (2) Do not rub the electrodes and the resist parts of the pattern.
- (3) When removing a chip part, melt the solder adequately.
- (4) Do not reuse a chip part after removing it.

### 2.5.2 SOLDERING IRON

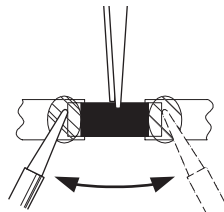
- (1) Use a high insulation soldering iron with a thin pointed end of it.
- (2) A 30w soldering iron is recommended for easily removing parts.

### 2.5.3 REPLACEMENT STEPS

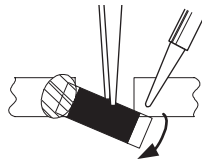
#### 1. How to remove Chip parts

[Resistors, capacitors, etc.]

- (1) As shown in the figure, push the part with tweezers and alternately melt the solder at each end.



- (2) Shift with the tweezers and remove the chip part.

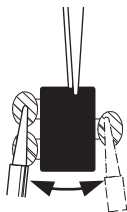


[Transistors, diodes, variable resistors, etc.]

- (1) Apply extra solder to each lead.



- (2) As shown in the figure, push the part with tweezers and alternately melt the solder at each lead. Shift and remove the chip part.



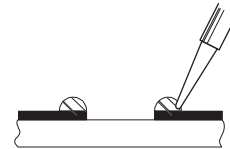
#### Note :

After removing the part, remove remaining solder from the pattern.

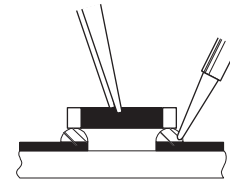
#### 2. How to install Chip parts

[Resistors, capacitors, etc.]

- (1) Apply solder to the pattern as indicated in the figure.

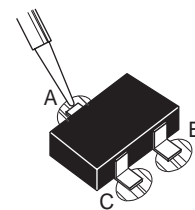


- (2) Grasp the chip part with tweezers and place it on the solder. Then heat and melt the solder at both ends of the chip part.

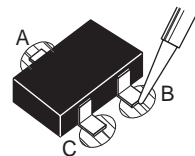


[Transistors, diodes, variable resistors, etc.]

- (1) Apply solder to the pattern as indicated in the figure.
- (2) Grasp the chip part with tweezers and place it on the solder.
- (3) First solder lead **A** as indicated in the figure.



- (4) Then solder leads **B** and **C**.



## SECTION 3 ADJUSTMENT

### 3.1 ADJUSTMENT PREPARATION

- (1) There are 2 ways of adjusting this TV : One is with the REMOTE CONTROL UNIT and the other is the conventional method using adjustment parts and components.
- (2) The adjustment using the REMOTE CONTROL UNIT is made on the basis of the initial setting values. The setting values which adjust the screen to the optimum condition can be different from the initial setting values.
- (3) Make sure that connection is correctly made AC to AC power source.
- (4) Turn on the power of the TV and measuring instruments for warming up for at least 30 minutes before starting adjustments.
- (5) If the receive or input signal is not specified, use the most appropriate signal for adjustment.
- (6) Never touch the parts (such as variable resistors, transformers and condensers) not shown in the adjustment items of this service adjustment.
- (7) Preparation for adjustment. Unless otherwise specified in the adjustment items, preset the following functions with the REMOTE CONTROL UNIT.

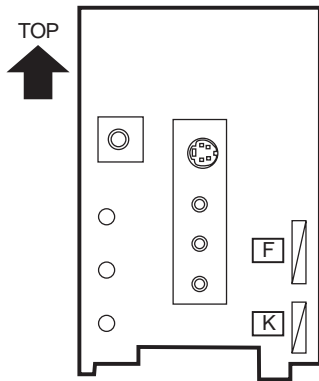
Item	Preset value
PICTURE MODE (VSM)	NORMAL
SLEEP TIMER	OFF
tone BALANCE	Center
ZOOM	FULL

### 3.2 MEASURING INSTRUMENT AND FIXTURES

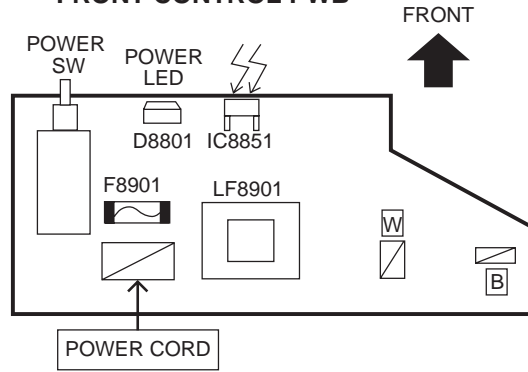
- (1) DC voltmeter (or digital voltmeter)
- (2) Oscilloscope
- (3) Signal generator (Pattern generator : PAL / SECAM / NTSC)
- (4) Remote control unit

3.3 ADJUSTMENT LOCATIONS

SIDE CONTROL PWB

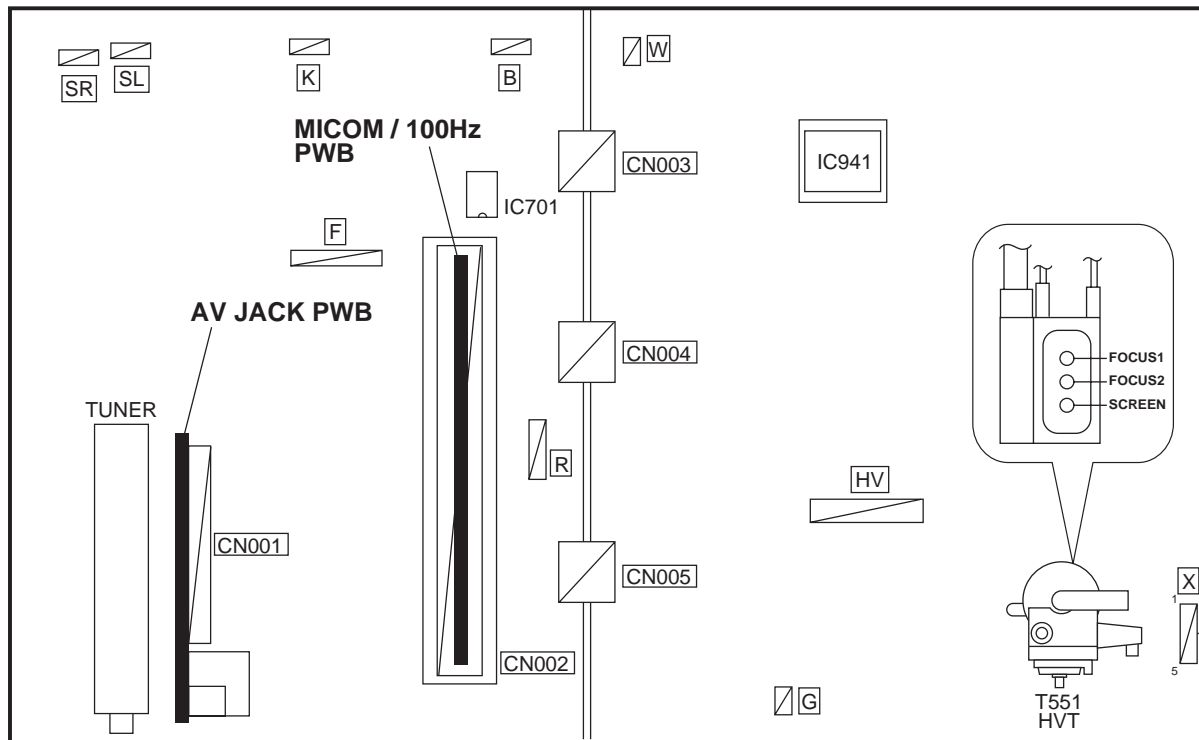


FRONT CONTROL PWB

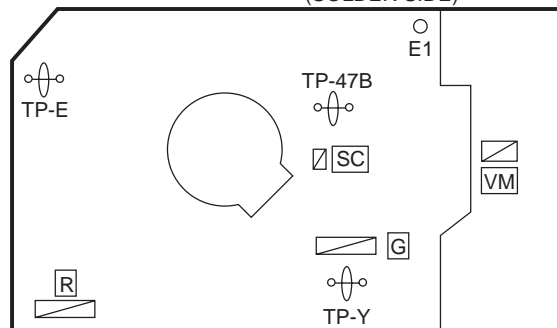


MAIN PWB

POWER&DEF PWB



CRT SOCKET PWB (SOLDER SIDE)



### 3.4 BASIC OPERATION OF SERVICE MENU

#### 3.4.1 TOOL OF SERVICE MENU OPERATION

Operate the SERVICE MENU with the REMOTE CONTROL UNIT.

#### 3.4.2 SERVICE MENU ITEMS

With the SERVICE MENU, various adjustments can be made, and they are broadly classified in the following items of settings.

1.IF	This mode adjusts the setting values of the IF circuit.
2.V/C	This mode adjusts the setting values of the VIDEO / CHROMA circuit.
3.AUDIO	This mode adjusts the setting values of the multiplicity SOUND circuit.
4.DEF	This mode adjusts the setting values of the DEFLECTION circuit for each aspect mode given below.
5.VSM PRESET	This mode adjusts the initial setting values of COOL, NORMAL and WARM. (VSM : Video Status Memory)

#### 3.4.3 BASIC OPERATION IN SERVICE MENU

##### (1) HOW TO ENTER SERVICE MENU

Press the [INFORMATION] key and the [MUTING] key of the REMOTE CONTROL UNIT simultaneously, and the SERVICE MENU screen of Fig.1 will be displayed.

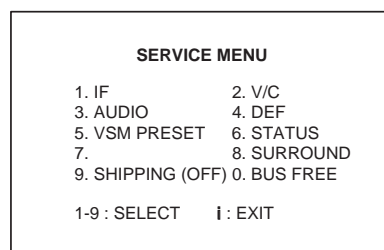


Fig.1

##### (2) SELECTION OF SUB MENU SCREEN

Press one of [1] - [5] keys of the REMOTE CONTROL UNIT and select the SUB MENU SCREEN (See Fig. 3), from the SERVICE MENU.

SERVICE MENU → SUB MENU

- 1. IF
- 2. V / C
- 3. AUDIO
- 4. DEF.
- 5. VSM PRESET
- 6. STATUS
- 7.
- 8. SURROUND
- 9. SHIPPING (OFF)
- 0. BUS FREE

\* [Greyed out items] : Do not adjust

##### NAME OF REMOTE CONTROL KEY

Names of key	Key
INFORMATION	
MUTING	
MENU	
FUNCTION UP/DOWN	
FUNCTION +/-	

Fig.2



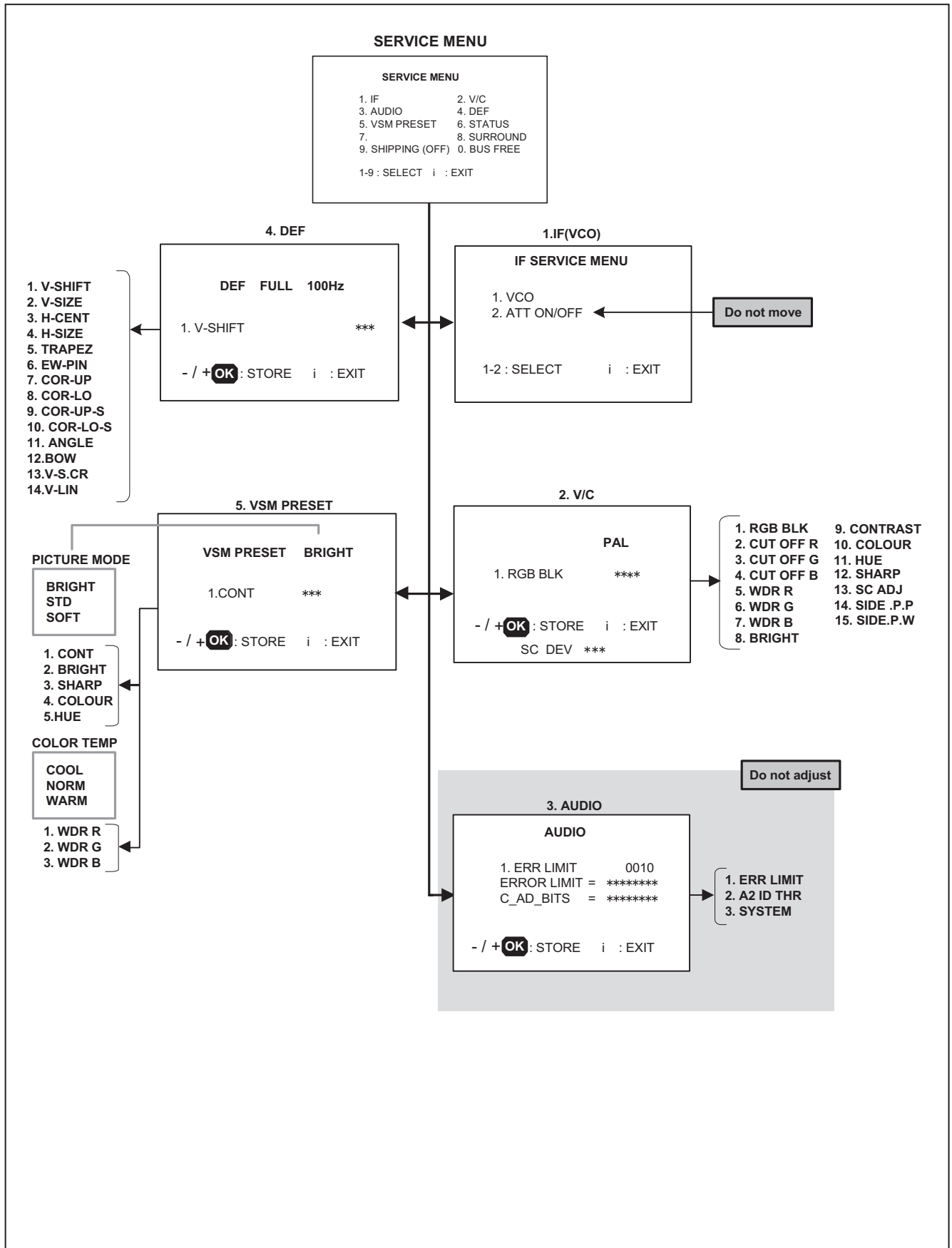


Fig.3 SUB MENU SCREEN

**(3) METHOD OF SETTING**

**1) METHOD OF SETTING 1.IF**

[1.VCO] : It must not adjust without signal.

Key	Function
(a) [1]	Select 1.IF
(b) [1]	Select 1.VCO (CW) Make sure that the arrow position between the ABOVE REF and BELOW REF.
(c) [INFORMATION]	Return to the SERVICE MENU screen.

**2) METHOD OF SETTING 2.V/C, 4.DEF AND 5.VSM PRESET.**

Key	Function
(a) [2~5]	Select one from 2.V/C, 3.AUDIO, 4.DEF and 5.VSM PRESET.
(b) [FUNCTION UP / DOWN ( ▲/▼ )]	Select setting items.
(c) [FUNCTION +/- ( ◀/▶ )]	Set (adjust) the setting values of the setting items.
(d) [OK]	Memorize the setting value. (Before storing the setting values in memory, do not press the CH, TV, POWER ON / OFF key if you do, the values will not be stored in memory.)
(e) [INFORMATION]	Return to the SERVICE MENU screen.

**Do not setting 3.AUDIO, 6.STATUS, 8.SURROUND, 9.SHIPPING (OFF) and 0.BUS FREE.**

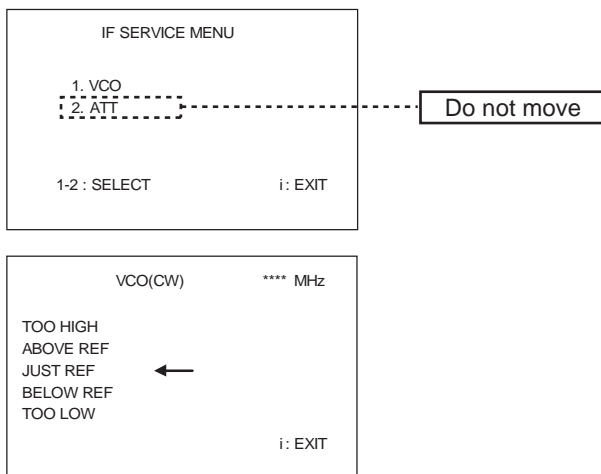
**(4) RELEASE OF SERVICE MENU**

After completing the setting, return to the SERVICE MENU, then again press the [INFORMATION] key.

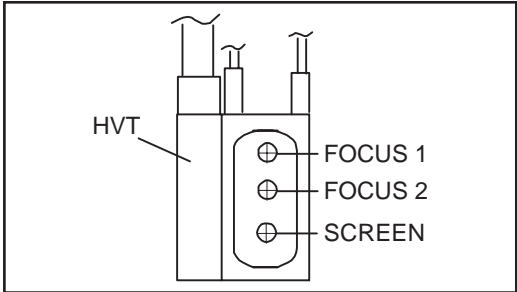
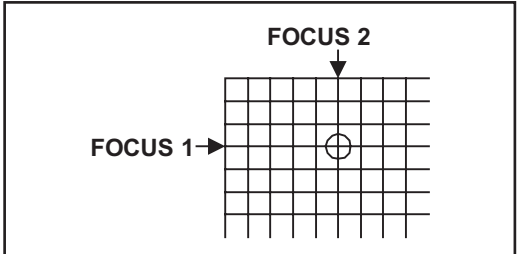
### 3.5 ADJUSTMENTS PROCEDURE

#### 3.5.1 CHECK ITEM

Item	Measuring instrument	Test point	Adjustment part	Description
<b>B1 POWER SUPPLY check</b>	Signal generator DC voltmeter Remote control unit	X connector TP-91(B1) TP-E(↗) [POWER DEF PWB]	[2.V/C] 1.RGB BLK	<ol style="list-style-type: none"> <li>(1) Receive a any broadcast.</li> <li>(2) Select the FULL mode.</li> <li>(3) Select 2. V/C from the SERVICE MENU.</li> <li>(4) Select 1. RGB BLK.</li> <li>(5) Press the [FUNCTION + (▶)] key to find the cut off screen (Black screen).</li> <li>(6) Connect a DC voltmeter to TP-91(B1) and TP-E(↗).</li> <li>(7) Make sure that the voltage is DC139.9 ±2.0V.</li> <li>(8) Press the [FUNCTION - (◀)] key to return to service menu.</li> </ol>
<b>HIGH VOLTAGE check</b>	Signal generator HV voltmeter Remote control unit	CRT anode Chassis GND	[2.V/C] 1.RGB BLK	<ol style="list-style-type: none"> <li>(1) Receive a any broadcast.</li> <li>(2) Select the FULL mode.</li> <li>(3) Select 2. V/C from the SERVICE MENU.</li> <li>(4) Select 1. RGB BLK.</li> <li>(5) Press the [FUNCTION + (▶)] key to find the cut off screen (Black screen).</li> <li>(6) Connect a HV voltmeter to CRT ANODE and chassis GND.</li> <li>(7) Make sure that the voltage is DC 31.0kV (+1kV / - 1.5kV).</li> <li>(8) Press the [FUNCTION - (◀)] key to return to service menu.</li> </ol>
<b>IF VCO check</b>	Remote control unit		[1.IF] 1.VCO	<ul style="list-style-type: none"> <li>• Under normal conditions, no adjustment is required.</li> <li>• It must not adjust without broadcast signal.</li> </ul> <ol style="list-style-type: none"> <li>(1) Select 1.IF from the SERVICE MENU.</li> <li>(2) Then select 1.VCO from the 1.IF.</li> <li>(3) Receive any broadcast.</li> <li>(4) Check the arrow (&lt;--&gt;) position between the ABOVE REF. and BELOW REF.</li> </ol>



### 3.5.2 FOCUS ADJUSTMENT

Item	Measuring instrument	Test point	Adjustment part	Description
<b>FOCUS adjustment</b>	Signal generator		FOCUS 1 VR (Horizontal line) FOCUS 2 VR (Vertical line) [In HVT]	(1) Receive a cross-hatch signal. (2) Select the FULL mode. (3) By turn the FOCUS 2 VR, adjust the picture so that the part of circle mark on the vertical line may become thinnest. (4) Turn the FOCUS1 VR so that the third horizontal line from the top of the cross hatch screen has equal thickness in the center of the screen and around the center. (5) Make sure that when the screen is darkened, the lines remain in good focus.
 				

### 3.5.3 VSM PRESET SETTING

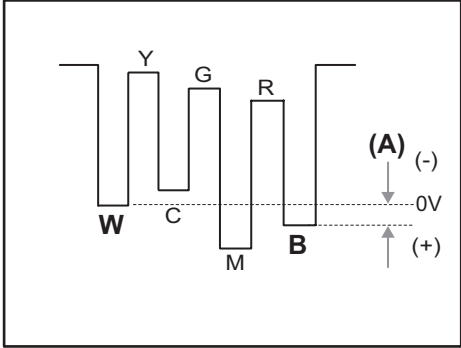
Item	Measuring instrument	Test point	Adjustment part	Description																																								
<b>VSM PRESET setting</b>	Remote control unit		[5.VSM PRESET] (BRIGHT/SOFT/STD) 1. CONT. 2. BRIGHT 3. SHARP 4. COLOUR 5. HUE (COOL/WARM/NOMAL) 1. WDR R 2. WDR G 3. WDR B	(1) Select STD(standard) of PICTURE MODE with the [MENU] key. (2) Select 5.VSM PRESET. (3) Adjust the [FUNCTION UP/DOWN] and [-/+ ] key to bring the set values of 1.CONT to 5. HUE to the values shown in the table. (4) Press the [MENU] key and memorize the set value. (5) Respectively select BRIGHT or SOFT of PICTURE MODE, and make similar adjustment as in 3 above. (6) Press the [MENU] key and memorize the set value. (7) Select COOL of COLOUR TEMP with the [MENU] key. (8) Select 5.VSM PRESET. (9) Adjust the [FUNCTION UP/DOWN] and [-/+ ] key to bring the set values of 1.WDR R to 3. WDR B to the values shown in the table. (10) Press the [MENU] key and memorize the set value. (11) Respectively select NORMAL or WARM of PICTURE MODE, and make similar adjustment as in 9 above. (12) Press the [MENU] key and memorize the set value.																																								
<p style="text-align: center;"><b>VSM PRESET setting item</b></p> <table border="1" style="width: 100%; border-collapse: collapse;"> <thead> <tr> <th></th> <th>1.CONT.</th> <th>2.BRIGHT</th> <th>3.SHARP</th> <th>4.COLOUR</th> <th>5.HUE</th> </tr> </thead> <tbody> <tr> <td><b>BRIGHT</b></td> <td style="text-align: center;">+7</td> <td style="text-align: center;">0</td> <td style="text-align: center;">0</td> <td style="text-align: center;">0</td> <td style="text-align: center;">0</td> </tr> <tr> <td><b>SOFT</b></td> <td style="text-align: center;">-3</td> <td style="text-align: center;">0</td> <td style="text-align: center;">-2</td> <td style="text-align: center;">0</td> <td style="text-align: center;">0</td> </tr> <tr> <td><b>STANDARD</b></td> <td style="text-align: center;">0</td> <td style="text-align: center;">0</td> <td style="text-align: center;">0</td> <td style="text-align: center;">0</td> <td style="text-align: center;">0</td> </tr> </tbody> </table> <table border="1" style="width: 100%; border-collapse: collapse;"> <thead> <tr> <th></th> <th>1.WDR R</th> <th>2.WDR G</th> <th>3.WDR B</th> </tr> </thead> <tbody> <tr> <td><b>COOL</b></td> <td style="text-align: center;">-15</td> <td style="text-align: center;">-9</td> <td style="text-align: center;">0</td> </tr> <tr> <td><b>WARM</b></td> <td style="text-align: center;">+4</td> <td style="text-align: center;">0</td> <td style="text-align: center;">0</td> </tr> <tr> <td><b>NORMAL</b></td> <td style="text-align: center;">0</td> <td style="text-align: center;">0</td> <td style="text-align: center;">0</td> </tr> </tbody> </table>					1.CONT.	2.BRIGHT	3.SHARP	4.COLOUR	5.HUE	<b>BRIGHT</b>	+7	0	0	0	0	<b>SOFT</b>	-3	0	-2	0	0	<b>STANDARD</b>	0	0	0	0	0		1.WDR R	2.WDR G	3.WDR B	<b>COOL</b>	-15	-9	0	<b>WARM</b>	+4	0	0	<b>NORMAL</b>	0	0	0	* Refer to OPERATING INSTRUCTIONS for the PICTURE MODE.
	1.CONT.	2.BRIGHT	3.SHARP	4.COLOUR	5.HUE																																							
<b>BRIGHT</b>	+7	0	0	0	0																																							
<b>SOFT</b>	-3	0	-2	0	0																																							
<b>STANDARD</b>	0	0	0	0	0																																							
	1.WDR R	2.WDR G	3.WDR B																																									
<b>COOL</b>	-15	-9	0																																									
<b>WARM</b>	+4	0	0																																									
<b>NORMAL</b>	0	0	0																																									

### 3.5.4 VIDEO CIRCUIT ADJUSTMENT

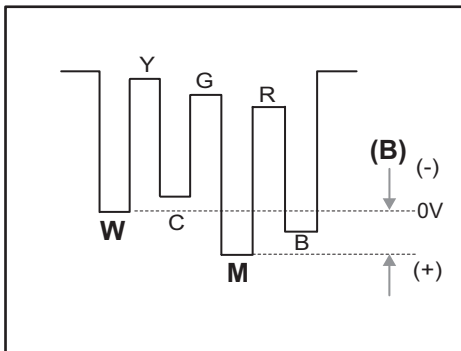
The setting (adjustment) using the REMOTE CONTROL UNIT is made on the basis of the initial setting values.  
 The setting values which adjust the screen to the optimum condition can be different from the initial setting values.

Setting item (Adjustment item)			Initial setting value		
			PAL	SECAM	NTSC
<b>2. V/C</b>					
1.RGB BLK			--- (OFF)	--- (OFF)	--- (OFF)
2.CUTOFF R			100	100	100
3.CUTOFF G			132	132	132
4.CUTOFF B			124	124	124
5.WDR R			165	165	165
6.WDR G			135	135	135
7.WDR B (Do not move)			150	150	150
8.BRIGHT			-30	-30	-30
9.CONTRAST			40	40	40
10.COLOUR			36	31	25 : NTSC 3.58 0 : NTSC 4.43
11.HUE			---	---	2 : NTSC 3.58 0 : NTSC 4.43
12.SHARP (Do not move)		TV	-2	-2	-2
		EXT	0	0	0
13.SC ADJ. (Do not move)			18	---	---
14.SIDE .P.P (Do not move)	REGULAR	AV-32X37SUE AV-32X37HKE AV-32X37HIE AV-32X35HUE AV-32X35HKE	330	330	326
		AV-32H35SUE	322	322	328
	14:9 ZOOM	AV-32X37SUE AV-32X37HKE AV-32X37HIE AV-32X35HUE AV-32X35HKE	291	291	284
		AV-32H35SUE	284	284	290
15.SIDE .P.W (Do not move)	REGULAR	AV-32X37SUE AV-32X37HKE AV-32X37HIE AV-32X35HUE AV-32X35HKE	1104	1104	1106
		AV-32H35SUE	1096	1096	1108
	14:9 ZOOM	AV-32X37SUE AV-32X37HKE AV-32X37HIE AV-32X35HUE AV-32X35HKE	1144	1144	1140
		AV-32H35SUE	1137	1137	1150

Item	Measuring instrument	Test point	Adjustment part	Description
<b>WHITE BALANCE adjustment</b>	Signal generator  Remote control unit		[2. V/C] 2.CUTOFF R 3.CUTOFF G 4.CUTOFF B 5.WDR R 6.WDR G 7.WDR B (Do not move)	<ul style="list-style-type: none"> <li>Set the PICTURE MODE to NORMAL.               <ol style="list-style-type: none"> <li>Receive a black and white signal (colour off).</li> <li>Select 2.V/C.</li> <li>Each select 2.CUTOFF R, 3.CUTOFF G, 4.CUTOFF B and adjust the screen until the black portion in the screen becomes black.</li> <li>Each select 5.WDR R, 6.WDR G and adjust the screen until the white portion in the screen becomes white.</li> </ol> <p><b>NOTE:</b> Do not adjust 7. WDR B</p> <li>Press the [MENU] key and memorize the set value.</li> <li>Change the contrast and brightness from low-light to high-light and check that the tracking of the white balance is good.</li> </li></ul>
<b>SUB BRIGHT adjustment</b>	Remote control unit		[2. V/C] 8. BRIGHT	<ol style="list-style-type: none"> <li>Receive any broadcast.</li> <li>Select 2.V/C.</li> <li>Select 8.BRIGHT.</li> <li>Set the initial setting value.</li> <li>If the brightness is not the best with the initial setting value, make fine adjustment until you get the best brightness.</li> <li>Press the [MENU] key and memorize the set value.</li> </ol>
<b>SUB CONTRAST adjustment</b>	Remote control unit		[2. V/C] 9. CONT.	<ol style="list-style-type: none"> <li>Receive any broadcast.</li> <li>Select 2.V/C.</li> <li>Select 9.CONT.</li> <li>Set the initial setting value.</li> <li>If the contrast is not the best with the initial setting value, make fine adjustment until you get the best contrast.</li> <li>Press the [MENU] key and memorize the set value.</li> </ol>
<b>SUB COLOUR I adjustment</b>	Remote control unit		[2.V/C] 10.COLOUR (PAL/SECAM/NTSC)	<p><b>[Method of adjustment without measuring instrument]</b></p> <p><b>PAL COLOUR:</b></p> <ol style="list-style-type: none"> <li>Receive PAL broadcast.</li> <li>Select 2.V/C.</li> <li>Select 10.COLOUR.</li> <li>Set the initial setting value for PAL COLOUR.</li> <li>If the colour is not the best with the initial set value, make fine adjustment until you get the best colour.</li> <li>Press the [MENU] key and memorize the set value.</li> </ol> <p><b>SECAM COLOUR:</b></p> <ol style="list-style-type: none"> <li>Receive a SECAM broadcast.</li> <li>Make fine adjustment of SECAM COLOUR in the same manner as for above.</li> </ol> <p><b>NTSC 3.58 COLOUR:</b></p> <ol style="list-style-type: none"> <li>Input a NTSC 3.58MHz COMPOSITE VIDEO signal from the EXT terminal.</li> <li>Make similar fine adjustment of NTSC 3.58 COLOUR in the same manner as for above.</li> </ol> <p><b>NTSC 4.43 COLOUR:</b></p> <ol style="list-style-type: none"> <li>When NTSC 3.58 COLOUR set, NTSC 4.43 COLOUR will automatically set.</li> </ol>

Item	Measuring instrument	Test point	Adjustment part	Description						
<b>SUB COLOUR II adjustment</b>	Signal generator	TP-47B TP-E(↔)	[2.V/C] 10.COLOUR (PAL/SECAM/NTSC)	<p><b>[Method of adjustment using measuring instrument]</b></p> <p><b>PAL COLOUR:</b></p> <ol style="list-style-type: none"> <li>Receive a PAL full field colour bar signal (75% white).</li> <li>Select 2.V/C.</li> <li>Select 10.COLOUR.</li> <li>Set the initial setting value of PAL COLOUR.</li> <li>Connect the oscilloscope between TP-47B and TP-E(↔).</li> <li>Adjust PAL COLOUR and bring the value of (A) in the illustration to the values as shown given billow (Voltage difference between white (W) and blue (B)).</li> <li>Press the [MENU] key and memorize the setting value.</li> </ol> <p><b>SECAM COLOUR:</b></p> <ol style="list-style-type: none"> <li>Receive a SECAM full field colour bar signal (75% white).</li> <li>Set the initial setting value of SECAM COLOUR.</li> <li>Adjust SECAM COLOUR and bring the value of (A) in the illustration to the values as shown given billow (Voltage difference between white (W) and blue (B)).</li> <li>Press the [MENU] key and memorize the setting value.</li> </ol> <p><b>NTSC 3.58 COLOUR:</b></p> <ol style="list-style-type: none"> <li>Input a NTSC 3.58MHz COMPOSITE VIDEO signal (full field colour bar with 75% white) from the EXT terminal.</li> <li>Set the initial setting value of NTSC 3.58 COLOUR.</li> <li>Adjust NTSC 3.58 COLOUR and bring the value of (A) in the illustration to the values as shown given billow (Voltage difference between white (W) and blue (B)).</li> <li>Press the [MENU] key and memorize the setting value.</li> </ol> <p><b>NTSC 4.43 COLOUR:</b></p> <ol style="list-style-type: none"> <li>When NTSC 3.58 COLOUR set, NTSC 4.43 COLOUR will automatically set.</li> </ol>						
	Oscilloscope	[CRT SOCKET PWB ]								
	Remote control unit									
										
<p><b>[PAL COLOUR VOLTAGE SETTING]</b></p> <table border="1"> <tr> <td></td> <td>AV-32X37SUE AV-32X37HKE AV-32X37HIE AV-32X35HUE AV-32X35HKE</td> <td>AV-32H35SUE</td> </tr> <tr> <td>VOLTAGE (W-B)</td> <td>+11V</td> <td>+3V</td> </tr> </table>					AV-32X37SUE AV-32X37HKE AV-32X37HIE AV-32X35HUE AV-32X35HKE	AV-32H35SUE	VOLTAGE (W-B)	+11V	+3V	
	AV-32X37SUE AV-32X37HKE AV-32X37HIE AV-32X35HUE AV-32X35HKE	AV-32H35SUE								
VOLTAGE (W-B)	+11V	+3V								
<p><b>[SECAM COLOUR VOLTAGE SETTING]</b></p> <table border="1"> <tr> <td></td> <td>AV-32X37SUE AV-32X37HKE AV-32X37HIE AV-32X35HUE AV-32X35HKE</td> <td>AV-32H35SUE</td> </tr> <tr> <td>VOLTAGE (W-B)</td> <td>+6V</td> <td>+10V</td> </tr> </table>					AV-32X37SUE AV-32X37HKE AV-32X37HIE AV-32X35HUE AV-32X35HKE	AV-32H35SUE	VOLTAGE (W-B)	+6V	+10V	
	AV-32X37SUE AV-32X37HKE AV-32X37HIE AV-32X35HUE AV-32X35HKE	AV-32H35SUE								
VOLTAGE (W-B)	+6V	+10V								
<p><b>[NTSC COLOUR VOLTAGE SETTING]</b></p> <table border="1"> <tr> <td></td> <td>All model</td> </tr> <tr> <td>VOLTAGE (W-B)</td> <td>+1V</td> </tr> </table>					All model	VOLTAGE (W-B)	+1V			
	All model									
VOLTAGE (W-B)	+1V									

Item	Measuring instrument	Test point	Adjustment part	Description
<b>SUB HUE I adjustment</b>	Remote control unit		[2.V/C] 11.HUE	<p><b>[Method of adjustment without measuring instrument]</b></p> <p><b>NTSC 3.58 HUE:</b></p> <ol style="list-style-type: none"> <li>(1) Input a NTSC 3.58MHz COMPOSITE VIDEO signal (full field colour bar with 75% white) from the EXT terminal.</li> <li>(2) Select 2.V/C.</li> <li>(3) Select 11. HUE.</li> <li>(4) Set the initial setting value of NTSC 3.58 HUE.</li> <li>(5) If you cannot get the best hue with the initial setting value, make fine adjustment until you get the best hue.</li> <li>(6) Press the [MENU] key and memorize the set value.</li> </ol> <p><b>NTSC 4.43 HUE:</b></p> <ol style="list-style-type: none"> <li>(1) When NTSC 3.58 is set, NTSC 4.43 will be automatically set at the respective values.</li> </ol>
<b>SUB HUE II adjustment</b>	Signal generator  Oscilloscope  Remote control unit	TP-47B TP-E(♣) [CRT SOCKET PWB]	[2.V/C] 11.HUE	<p><b>[Method of adjustment using measuring instrument]</b></p> <p><b>NTSC 3.58 HUE:</b></p> <ol style="list-style-type: none"> <li>(1) Input a NTSC 3.58MHz COMPOSITE VIDEO signal (full field colour bar with 75% white) from the EXT terminal.</li> <li>(2) Select 2.V/C.</li> <li>(3) Select 11. HUE.</li> <li>(4) Set the initial setting value of NTSC 3.58 HUE.</li> <li>(5) Connect the oscilloscope between TP-47B and TP-E(♣)</li> <li>(6) Adjust NTSC 3.58 HUE to bring the value of (B) in the illustration to the values as shown given below (voltage difference between white (W) and magenta (M)).</li> <li>(7) Press the [MENU] key and memorize the setting value.</li> </ol> <p><b>NTSC 4.43 HUE:</b></p> <ol style="list-style-type: none"> <li>(1) When NTSC 3.58 COLOUR set, NTSC 4.43 COLOUR will automatically set.</li> </ol>



**[VOLTAGE SETTING]**

	AV-32X37SUE AV-32X37HKE AV-32X37HIE AV-32X35HUE AV-32X35HKE	AV-32H35SUE
VOLTAGE (W-M)	-10V	-10V



### 3.5.5 DEFLECTION CIRCUIT ADJUSTMENT

There are 4 aspect modes ( 1.FULL, 2.PANORAMIC, 3.SUBTITLE, 4.COMPRES) of the adjustment.

Depending upon the kind of signals ( Vertical frequency 100Hz / 60Hzp: AV-32X37SUE / AV-32X37HKE / AV-32X37HIE / AV-32X35HUE / AV-32X35HKE, 100Hz / 120Hz: AV-32H35SUE).

100Hz is a signal that is output to a screen when a 50Hz signal is input to a television set. It is an interlace-scanned picture of 100Hz.

60Hz p is a signal that is output to a screen when a 60Hz signal is input to a television set. It is a progressive-scanned picture of 60Hz.

(X series only)

120Hz i is a signal that is output to a screen when a 60Hz signal is input to a television. It is an interlace-scanned picture of 120Hz.

(H series only)

- When the 100Hz FULL mode has been established, the setting of other modes will be done automatically. However, if the picture quality has not been optimized, adjust each mode again, respectively.
- The adjustment using the remote control unit is made on the basis of the initial setting values.
- The setting values which adjust the screen to the optimum condition can be different from the initial setting values.
- To switch aspect modes, use the ZOOM key of the remote controller.

Initial setting value [AV-32X37SUE/AV-32X37HKE/AV-32X37HIE/AV-32X35HUE/AV-32X35HKE]

Mark [ ] : Fixed value

Setting item	Adjustment name	Initial setting value							
		FULL		PANORAMIC		SUBTITLE		COMPRESS	
		100Hz	60Hzp	100Hz	60Hzp	100Hz	60Hzp	[100Hz]	[60Hzp]
1. V-SHIFT	Vertical center	0000	0000	0000	0000	0000	0000	[0000]	[0000]
2. V-SIZE	Vertical height	-033	0000	0000	0000	0000	0000	[-040]	[0000]
3. H-CENT	Horizontal center	-014	0000	0000	0000	0000	0000	[0000]	[0000]
4. H-SIZE	Horizontal width	0000	0000	0000	0000	0000	0000	[0000]	[0000]
5. TRAPEZ	Trapezoidal distortion correction	-005	0000	0000	0000	0000	0000	[0000]	[0000]
6. EW-PIN	Side pin correction	-035	0000	0000	0000	0000	0000	[0000]	[0000]
7. COR-UP	Corner Pin correction Up side	0000	0000	0000	0000	0000	0000	[0000]	[0000]
8. COR-LO	Corner Pin correction Low side	-005	0000	0000	0000	0000	0000	[0000]	[0000]
9. COR-UP-S	Corner pin correction UP	0000	0000	0000	0000	0000	0000	[0000]	[0000]
10. COR-LO-S	Corner pin correction LOW	0000	0000	0000	0000	0000	0000	[0000]	[0000]
11. ANGLE	Angle correction	002	0000	0000	0000	0000	0000	[0000]	[0000]
12. BOW	Bow-shaped distortion correction	0000	0000	0000	0000	0000	0000	[0000]	[0000]
13. V-S.CR (Do not adjust)	Vertical height correction	[0003]	[0000]	[0005]	[0000]	[0000]	[0000]	[0000]	[0000]
14. V-LIN (Do not adjust)	Vertical Linearity	-007	0000	[-004]	[0000]	[0000]	[0000]	[0000]	[0000]

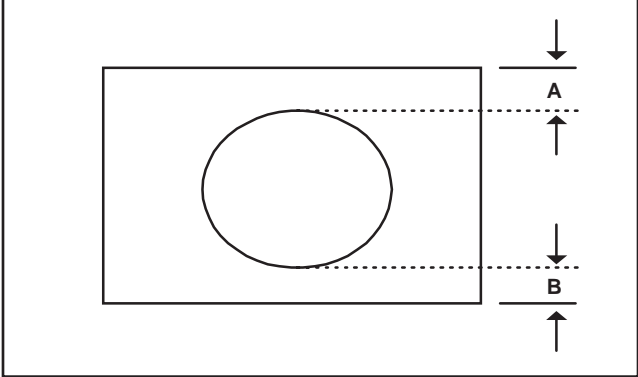
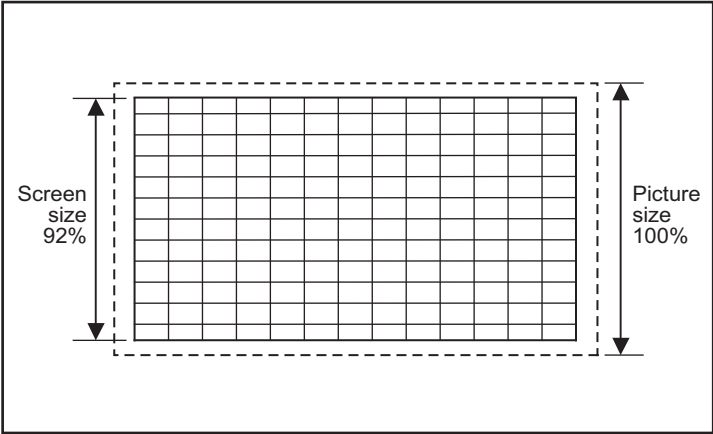
Initial setting value [AV-32H35SUE]

Mark [ ] : Fixed value

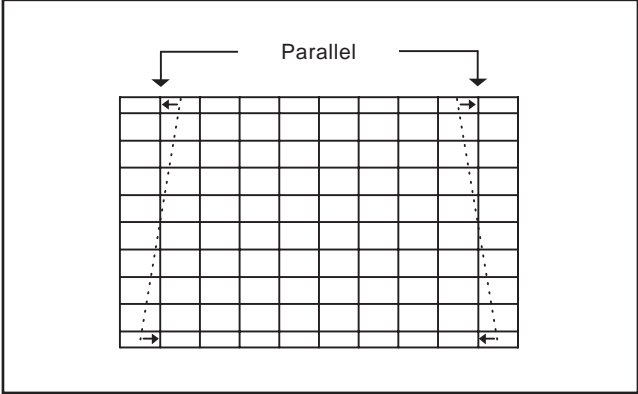
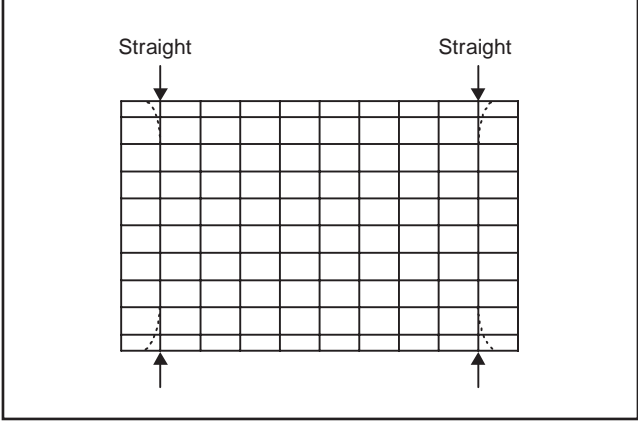
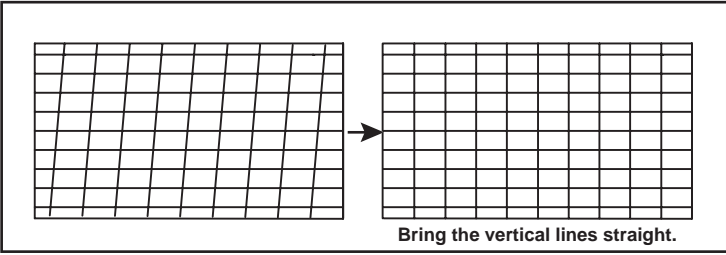
Setting item	Adjustment name	Initial setting value					
		FULL		PANORAMIC		SUBTITLE	
		100Hz	120Hz	100Hz	120Hz	100Hz	120Hz
1. V-SHIFT	Vertical center	0000	0000	0000	0005	+005	0000
2. V-SIZE	Vertical height	-033	0000	0005	0000	0017	0000
3. H-CENT	Horizontal center	-014	0000	0000	0000	0000	0000
4. H-SIZE	Horizontal width	0000	0000	0000	0000	0000	0000
5. TRAPEZ	Trapezoidal distortion correction	-011	0000	0000	0000	0000	0000
6. EW-PIN	Side pin correction	-035	0000	0000	0000	0000	0000
7. COR-UP	Corner Pin correction Up side	0000	0000	0000	0000	0000	-008
8. COR-LO	Corner Pin correction Low side	0000	0000	0000	0000	+010	0000
9. COR-UP-S	Corner pin correction UP	0000	0000	0000	0000	0000	0000
10. COR-LO-S	Corner pin correction LOW	0000	0000	0000	0000	0000	0000
11. ANGLE	Angle correction	0000	0000	0000	0000	0000	0000
12. BOW	Bow-shaped distortion correction	0000	0000	0000	0000	0000	0000
13. V-S.CR (Do not adjust)	Vertical height correction	[0003]	[0000]	[0005]	[0000]	[0008]	[0000]
14. V-LIN (Do not adjust)	Vertical Linearity	0000	0000	[-004]	[0000]	[-008]	[0000]

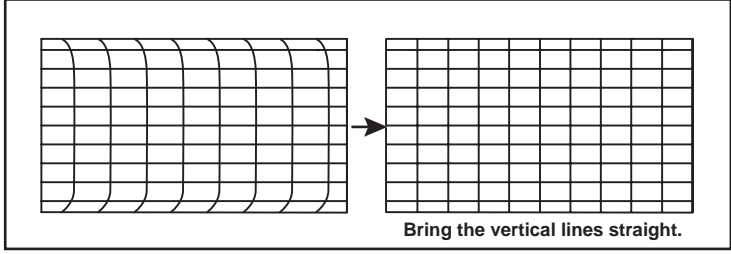
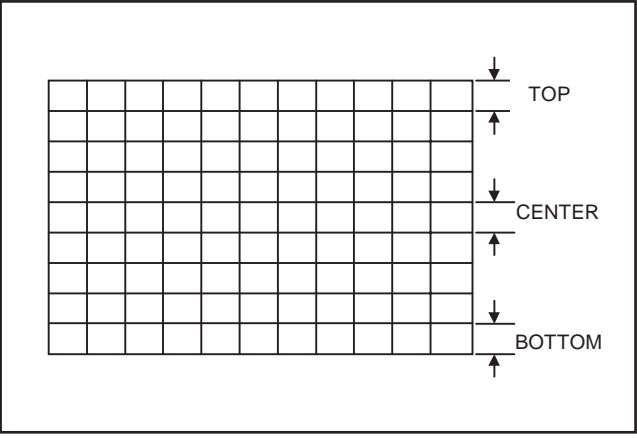
**NOTE :**

- Do not adjust PANORAMIC & SUBTITLE mode.
- At first the adjustment in 50Hz FULL mode should be done, then the data for the other aspect mode is corrected in the respective value at the same time. And confirm the deflection adjustment initial setting value in 60Hz (NTSC EXT mode) FULL mode. If the adjustment in 50Hz each aspect mode has been done and stored, the data for the same aspect modes in 60Hz is corrected in the respective value. Only the data for the other aspect mode in 60Hz is corrected for itself.

Item	Measuring instrument	Test point	Adjustment part	Description
<b>V.POSITION adjustment</b>	Signal generator  Remote control unit		[4.DEF] 1.V- SHIFT	<ul style="list-style-type: none"> <li>• Set the FULL mode.</li> <li>(1) Receive a circle pattern signal of vertical frequency 50Hz.</li> <li>(2) Select 4.DEF.</li> <li>(3) Select 1.V-SHIFT.</li> <li>(4) Adjust vertical position to make A = B.</li> <li>(5) Check the adjustment value above in other zoom mode. If it is a wrong adjustment, re-adjust in FULL mode and adjust by 1.V-SHIFT.</li> <li>(6) Press the [MENU] key and memorize the set value.</li> </ul>
				
<b>V.SIZE adjustment</b>	Signal generator  Remote control unit		[4.DEF] 2.V-SIZE	<ul style="list-style-type: none"> <li>• Set the FULL mode.</li> <li>(1) Receive a cross-hatch signal.</li> <li>(2) Select 2.V-SIZE and set the initial setting value.</li> <li>(3) Adjust to make sure that the vertical screen size of the picture size is in the bellow table.</li> <li>(4) Make sure that the vertical screen size of the each ASPECT mode is in the below table.</li> <li>(5) Press the [MENU] key and memorize the set value.</li> <li>(6) Input a NTSC VIDEO signal (60Hz) from the EXT terminal, and make sure that the vertical screen size is in the table below.</li> <li>(7) Press the [MENU] key and memorize the set value.</li> </ul>
				
<b>[SCREEN SIZE]</b>				
<b>ASPECT MODE</b>	<b>FULL</b>	<b>PANORAMIC</b>	<b>SUBTITLE</b>	
<b>SCREEN TOP</b>	92%	87%	70%	
<b>SCREEN BOTTOM</b>	92%	87%	83%	

Item	Measuring instrument	Test point	Adjustment part	Description								
<b>H. POSITION adjustment</b>	Signal generator  Remote control unit		[4.DEF] 3.H-CENT	<ul style="list-style-type: none"> <li>• Set the FULL mode.                             <ol style="list-style-type: none"> <li>(1) Receive a circle pattern signal.</li> <li>(2) Select 3.H-CENT and set the initial setting value.</li> <li>(3) Adjust horizontal position to make C=D.</li> <li>(4) Press the [MENU] key and memorize the set value.</li> </ol> </li> </ul>								
<b>H.SIZE adjustment</b>	Signal generator  Remote control unit		[4.DEF] 4.H-SIZE	<ul style="list-style-type: none"> <li>• Set the FULL mode.                             <ol style="list-style-type: none"> <li>(1) Receive a circle pattern signal.</li> <li>(2) Select 4.H-SIZE and set the initial setting value.</li> <li>(3) Adjust to make sure that the horizontal screen size of the picture size is in the bellow table.</li> <li>(4) Make sure that the horizontal screen size of the each ASPECT mode is in the below table.</li> <li>(5) Press the [MENU] key and memorize the set value.</li> <li>(6) Input a NTSC VIDEO signal (60Hz) from the EXT terminal, and make sure that the horizontal screen size of the each ASPECT mode is in the below table.</li> <li>(7) Press the [MENU] key and memorize the set value.</li> </ol> </li> </ul>								
<p>[SCREEN SIZE]</p> <table border="1" style="width: 100%; border-collapse: collapse; text-align: center;"> <thead> <tr> <th style="width: 25%;">ASPECT MODE</th> <th style="width: 25%;">FULL</th> <th style="width: 25%;">PANORAMIC</th> <th style="width: 25%;">SUBTITLE</th> </tr> </thead> <tbody> <tr> <td>H SIZE</td> <td>92%</td> <td>95%</td> <td>92%</td> </tr> </tbody> </table>					ASPECT MODE	FULL	PANORAMIC	SUBTITLE	H SIZE	92%	95%	92%
ASPECT MODE	FULL	PANORAMIC	SUBTITLE									
H SIZE	92%	95%	92%									
<b>SIDE-PIN adjustment</b>	Signal generator  Remote control unit		[4.DEF] 6.EW-PIN	<ul style="list-style-type: none"> <li>• Set the FULL mode.                             <ol style="list-style-type: none"> <li>(1) Select 6.EW-PIN and set the initial setting value.</li> <li>(2) Adjust to make the 2nd vertical lines at the left and right edges of the screen straight. Also make sure that the 3rd vertical lines are straight.</li> <li>(3) Press the [MENU] key and memorize the set value.</li> </ol> </li> </ul>								

Item	Measuring instrument	Test point	Adjustment part	Description
<b>TRAPEZIUM adjustment</b>	Signal generator  Remote control unit		[4.DEF] 5.TRAPEZ	<ul style="list-style-type: none"> <li>• Set the FULL mode.</li> <li>(1) Receive a cross-hatch signal.</li> <li>(2) Select 5.TRAPEZ.</li> <li>(3) Set the initial setting value of 5.TRAPEZ.</li> <li>(4) Adjust to bring the vertical lines at the right and left edges of the screen parallel.</li> <li>(5) Press the [MENU] key and memorize the set value.</li> </ul>
				
<b>CORNER adjustment</b>	Signal generator  Remote control unit		[4.DEF] 7.COR-UP 8.COR-LO 9.COR-UP-S 10.COR-LO-S	<ul style="list-style-type: none"> <li>• Set the FULL mode.</li> <li>(1) Select 7.COR-UP.</li> <li>(2) Set the initial setting value of 7.COR.-UP.</li> <li>(3) Adjust to bring the straight line at the upper corner.</li> <li>(4) Select 8.COR-LO.</li> <li>(5) Set the initial setting value of 8.COR-LO.</li> <li>(6) Adjust to bring the straight line at the low corner.</li> <li>(7) Press the [MENU] key and memorize the set value.</li> <li>(8) If the extreme upper &amp; lower corners are a little pin or barrel chose 9.COR-UP-S or 10. COR-LO-S and adjust.</li> <li>(9) Press the [MENU] key and memorize the set value.</li> </ul>
				
<b>ANGLE adjustment</b>	Signal generator  Remote control unit		[4.DEF] 11. ANGLE	<ul style="list-style-type: none"> <li>• In case where there is a parallelogrammatical distortion of images on the screen.</li> <li>• Set the FULL mode.</li> <li>(1) Select 11.ANGLE.</li> <li>(2) Adjust to bring the vertical lines straight.</li> <li>(3) Press the [MENU] key and memorize the set value.</li> </ul>
				

Item	Measuring instrument	Test point	Adjustment part	Description
<b>BOW adjustment</b>	Signal generator  Remote control unit		[4.DEF] 12.BOW	<ul style="list-style-type: none"> <li>In case where there is a bow-shaped distortion of images on the screen.</li> <li>Set the FULL mode.                             <ol style="list-style-type: none"> <li>Select 12.BOW.</li> <li>Adjust to bring the vertical lines straight.</li> <li>Press the [MENU] key and memorize the set value.</li> </ol> </li> </ul>
				
<b>V.S-SHAPE CORRECTION &amp; V.LINEARITY adjustment</b>	Signal generator  Remote control unit		[4.DEF] 13.V-S.CR 14.V-LIN	<ul style="list-style-type: none"> <li>When the vertical linearity has been deteriorated remarkably, perform the following steps.</li> <li>Set the FULL mode.                             <ol style="list-style-type: none"> <li>Receive a cross-hatch signal.</li> <li>Select 14.V-LIN.</li> <li>Set the initial setting value of 14.V-LIN.</li> <li>Select 13.V-S.COR.</li> <li>Set the initial setting value of 13.V-S.COR.</li> </ol> </li> <li>Adjust 14.V-LIN and 13.V-S.COR so that the spaces of each line on top, center and bottom become uniform.</li> </ul>
				

### 3.5.6 AUDIO CIRCUIT ADJUSTMENT

- Do not touch **3. AUDIO** adjustment of the SERVICE MENU as it requires no adjustment.  
 If values had changed for the some reason, set the initial values in the following table.

#### 3. AUDIO (Do not adjust)

Setting item	Variable range	Fixed value
1. ERR LIMIT	000H~FF0H	0010
2. A2 ID THR	00H~FFH	0019
3. SYSTEM	0000H~7FFFH	---

AV-32X37SUE AV-32X37HKE  
AV-32X37HIE AV-32X35HUE  
AV-32X35HKE AV-32H35SUE



VICTOR COMPANY OF JAPAN, LIMITED  
AV & MULTIMEDIA COMPANY DISPLAY CATEGORY 12, 3-chome, Moriya-cho, kanagawa-ku, Yokohama, kanagawa-prefecture, 221-8528, Japan

(No.52107)

# JVC

## SCHEMATIC DIAGRAMS

### COLOUR TELEVISION

**AV-32X37SUE, AV-32X37HKE,  
AV-32X37HIE, AV-32X35HUE,  
AV-32X35HKE, AV-32H35SUE**

BASIC CHASSIS

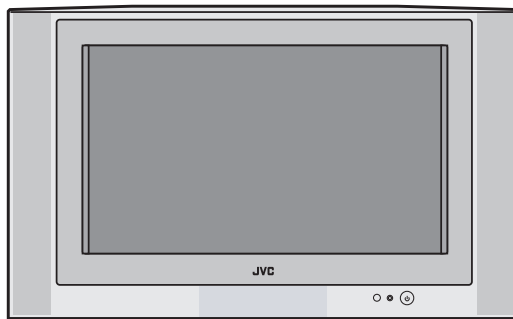
ML

CD-ROM No.SML200305

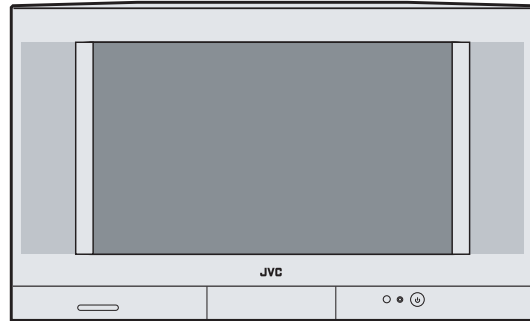
InteriArt  
*Natural Vision*  
**T-V LINK**



<RM-C54H>  
<RM-C55H>



AV-32X35HUE  
AV-32X35HKE  
AV-32H35SUE



AV-32X37SUE  
AV-32X37HKE  
AV-32X37HIE

# AV-32X37SUE, AV-32X37HKE, AV-32X35HKE, AV-32X37HIE, AV-32H35SUE, AV-32X35HUE STANDARD CIRCUIT DIAGRAM

## NOTE ON USING CIRCUIT DIAGRAMS

### 1.SAFETY

The components identified by the  $\Delta$  symbol and shading are critical for safety. For continued safety replace safety critical components only with manufactures recommended parts.

### 2.SPECIFIED VOLTAGE AND WAVEFORM VALUES

The voltage and waveform values have been measured under the following conditions.

- (1)Input signal : Colour bar signal
- (2)Setting positions of each knob/button and variable resistor : Original setting position when shipped
- (3)Internal resistance of tester :DC 20k $\Omega$ /V
- (4)Oscilloscope sweeping time :H  $\Rightarrow$  20 $\mu$ s/div  
 :V  $\Rightarrow$  5ms/div  
 :Others  $\Rightarrow$  Sweeping time is specified
- (5)Voltage values :All DC voltage values

\* Since the voltage values of signal circuit vary to some extent according to adjustments, use them as reference values.

### 3.INDICATION OF PARTS SYMBOL [EXAMPLE]

- In the PW board :R1209  $\rightarrow$  R209

### 4.INDICATIONS ON THE CIRCUIT DIAGRAM

#### (1)Resistors

##### ● Resistance value

- No unit :[  $\Omega$  ]
- K :[k  $\Omega$  ]
- M :[M  $\Omega$  ]

##### ● Rated allowable power

- No indication :1/ 16 [W]
- Others :As specified

##### ● Type

- No indication :Carbon resistor
- OMR :Oxide metal film resistor
- MFR :Metal film resistor
- MPR :Metal plate resistor
- UNFR :Uninflammable resistor
- FR :Fusible resistor

\* Composition resistor 1/2 [W] is specified as 1/2S or Comp.

#### (2)Capacitors

##### ● Capacitance value

- 1 or higher :[pF]
- less than 1 :[ $\mu$ F]

##### ● Withstand voltage

- No indication :DC50[V]
- Others :DC withstand voltage [V]
- AC indicated :AC withstand voltage [V]

\* Electrolytic Capacitors

47/50[Example]:Capacitance value [ $\mu$ F]/withstand voltage[V]

##### ● Type

- No indication :Ceramic capacitor
- MM :Metalized mylar capacitor
- PP :Polypropylene capacitor
- MPP :Metalized polypropylene capacitor
- MF :Metalized film capacitor
- TF :Thin film capacitor
- BP :Bipolar electrolytic capacitor
- TAN :Tantalum capacitor

#### (3)Coils

- No unit :[  $\mu$ H]
- Others :As specified

#### (4)Power Supply

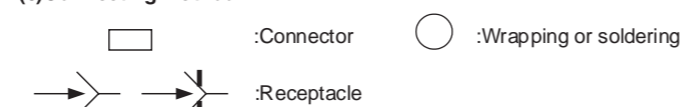


\* Respective voltage values are indicated

#### (5)Test point



#### (6)Connecting method



#### (7)Ground symbol

- $\perp$  :LIVE side ground
- $\perp$  (with a slash) :ISOLATED(NEUTRAL) side ground
- $\perp$  (with a horizontal line) :EARTH ground
- $\perp$  (with a vertical line) :DIGITAL ground

### 5.NOTE FOR REPAIRING SERVICE

This model's power circuit is partly different in the GND. The difference of the GND is shown by the LIVE (  $\perp$  ) side GND and the ISOLATED(NEUTRAL) (  $\perp$  / ) side GND. Therefore, care must be taken for the following points.

- (1)Do not touch the LIVE side GND or the LIVE side GND and the ISOLATED(NEUTRAL) side GND simultaneously. If the above caution is not respected, an electric shock may be caused. Therefore, make sure that the power cord is surely removed from the receptacle when, for example, the chassis is pulled out.
- (2)Do not short between the LIVE side GND and ISOLATED(NEUTRAL) side GND or never measure with a measuring apparatus measure with a measuring apparatus ( oscilloscope, etc.) the LIVE side GND and ISOLATED(NEUTRAL) side GND at the same time. If the above precaution is not respected, a fuse or any parts will be broken.

◆ Since the circuit diagram is a standard one, the circuit and circuit constants may be subject to change for improvement without any notice.

#### NOTE

◆ Due improvement in performance, some part numbers show in the circuit diagram may not agree with those indicated in the part list. When ordering parts, please use the numbers that appear in the Parts List.

## CONTENTS

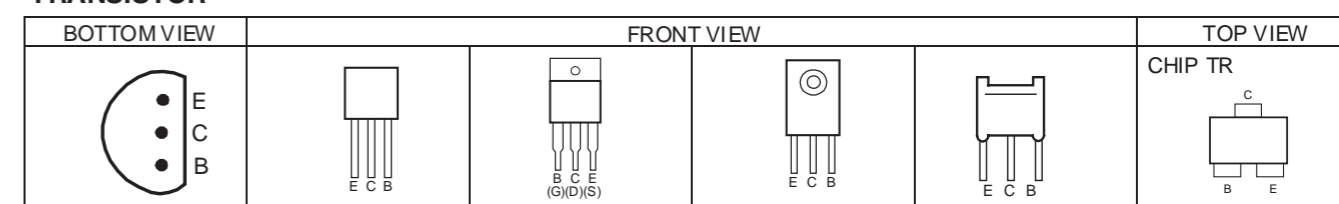
SEMICONDUCTOR SHAPES .....	2-2
BLOCK DIAGRAM .....	2-3
CIRCUIT DIAGRAMS	
MAIN PWB CIRCUIT DIAGRAM .....	2-5
POWER & DEF PWB CIRCUIT DIAGRAM .....	2-9
100Hz PWB CIRCUIT DIAGRAM .....	2-11
CRT SOCKET PWB CIRCUIT DIAGRAM .....	2-15
FRONT CONTROL PWB CIRCUIT DIAGRAM .....	2-17
SIDE CONTROL PWB CIRCUIT DIAGRAM .....	2-19
AV JACK PWB CIRCUIT DIAGRAM .....	2-21
PATTERN DIAGRAMS	
MAIN PWB PATTERN .....	2-23
POWER & DEF PWB PATTERN .....	2-25
100Hz PWB PATTERN .....	2-27
CRT SOCKET PWB PATTERN .....	2-29
FRONT CONTROL PWB PATTERN .....	2-29
SIDE CONTROL PWB PATTERN .....	2-30
AV JACK PWB PATTERN .....	2-30

## USING P.W. BOARD

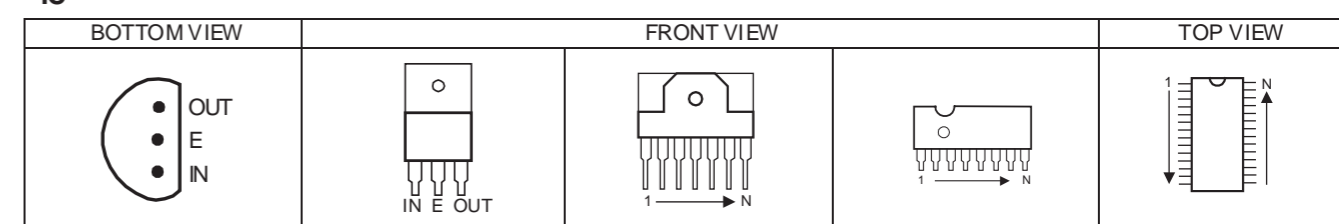
P.W.B ASS'Y	AV-32X37SUE	AV-32X37HKE	AV-32X35HKE	AV-32X37HIE	AV-32H35SUE	AV-32X35HUE
MAIN PWB	SML-1001A-U2	SML-1901A-U2	←	SML-1001A-U2	←	←
POWER & DEF PWB	SML-2001A-U2	←	←	←	←	←
100Hz PWB	SML0Z001A-U2	←	←	←	SML0Z002-U2	←
CRT SOCKET PWB	SML-3001A-U2	←	←	←	←	←
FRONT CONTROL PWB	SML-8001A-U2	←	←	←	←	←
SIDE CONTROL PWB	SML-8101A-U2	←	←	←	←	←
AV JACK PWB	SML0J001A-U2	←	←	←	←	←

## SEMICONDUCTOR SHAPES

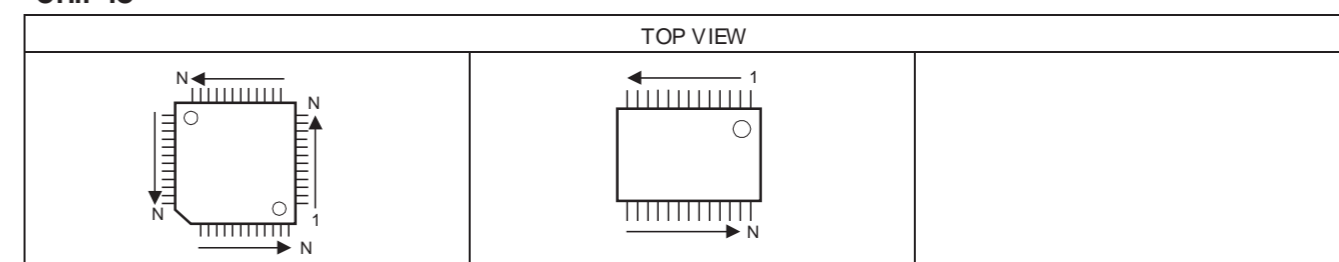
### TRANSISTOR



### IC

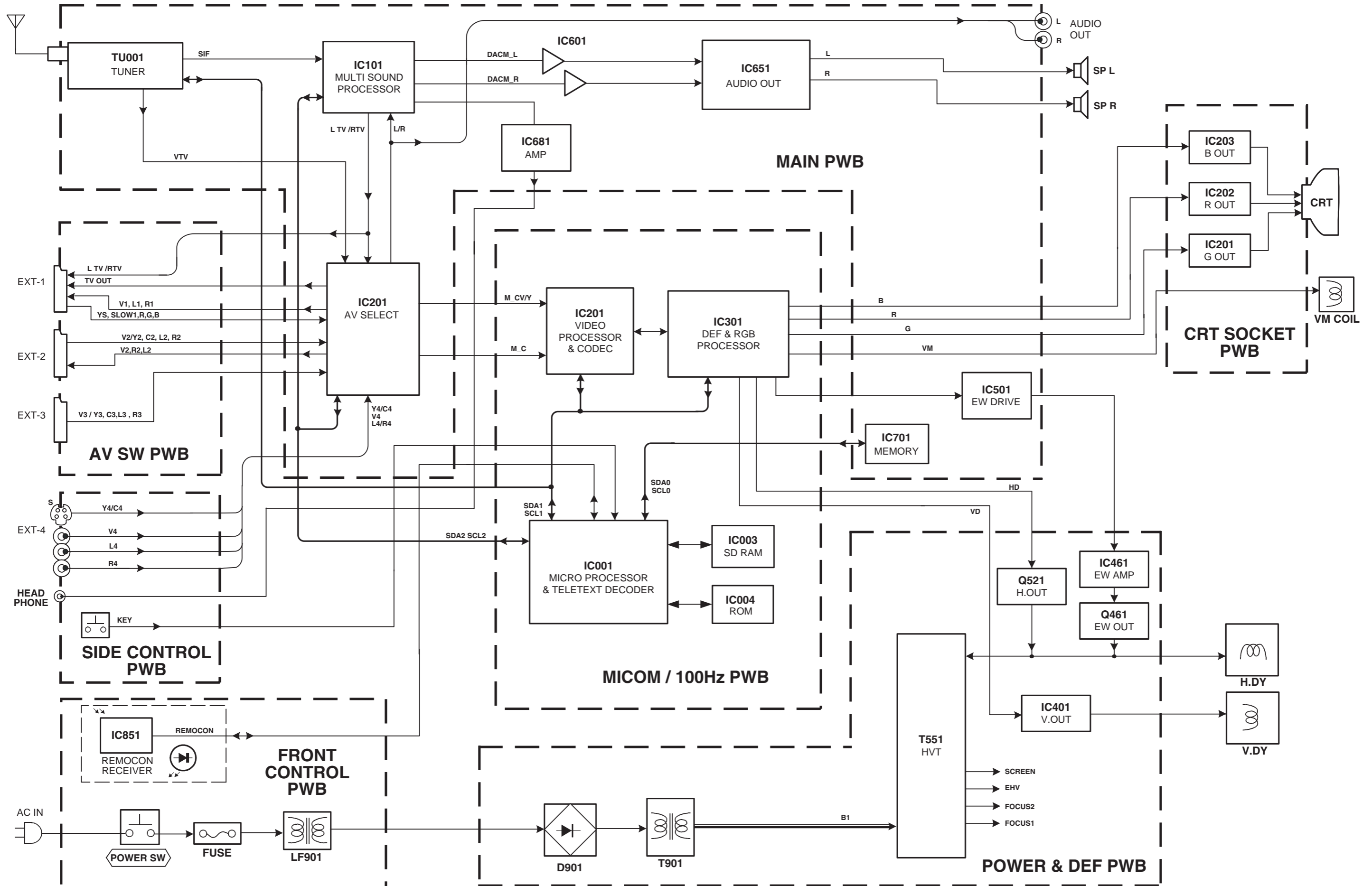


### CHIP IC



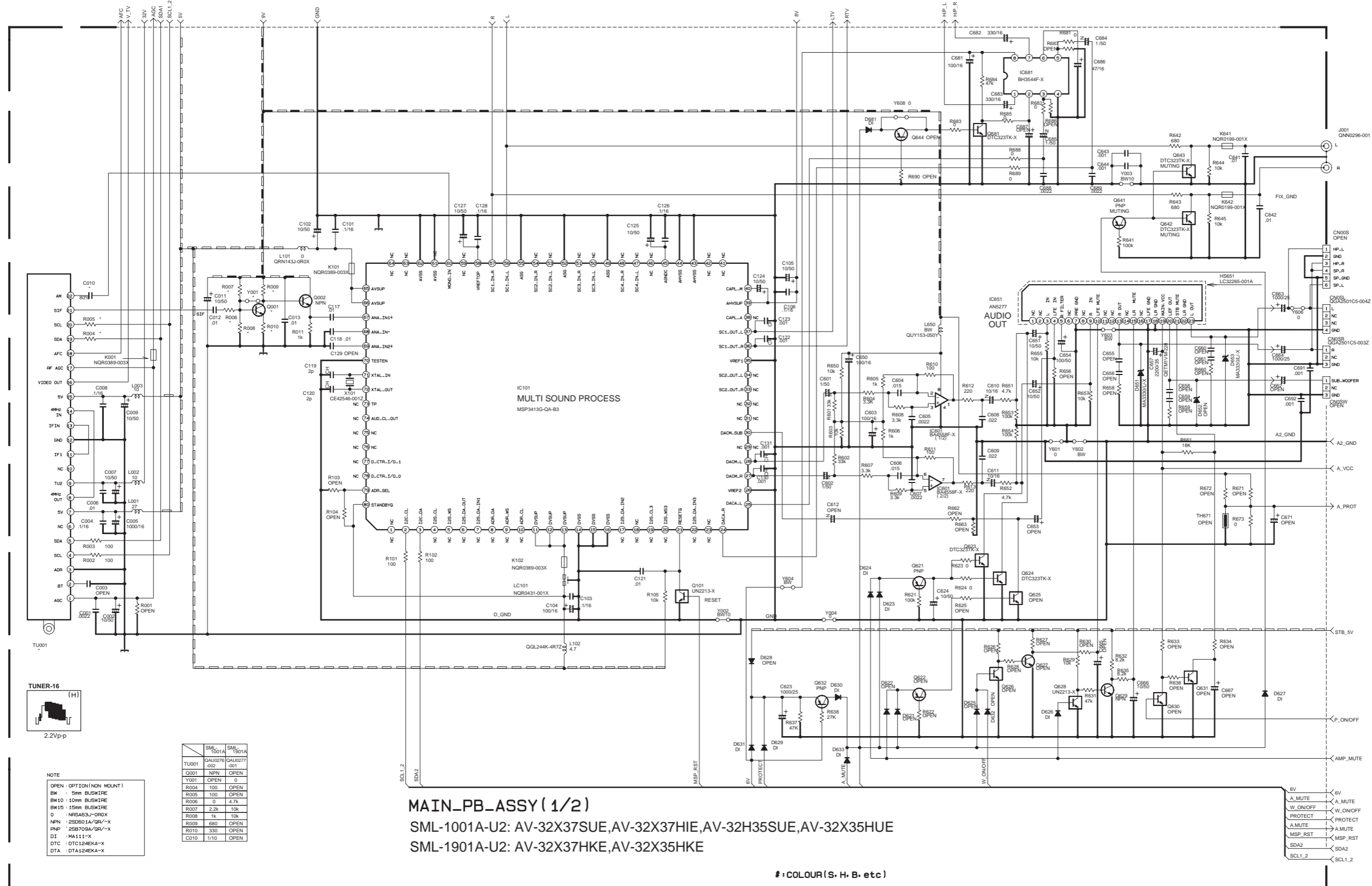


**BLOCK DIAGRAM**



# CIRCUIT DIAGRAMS

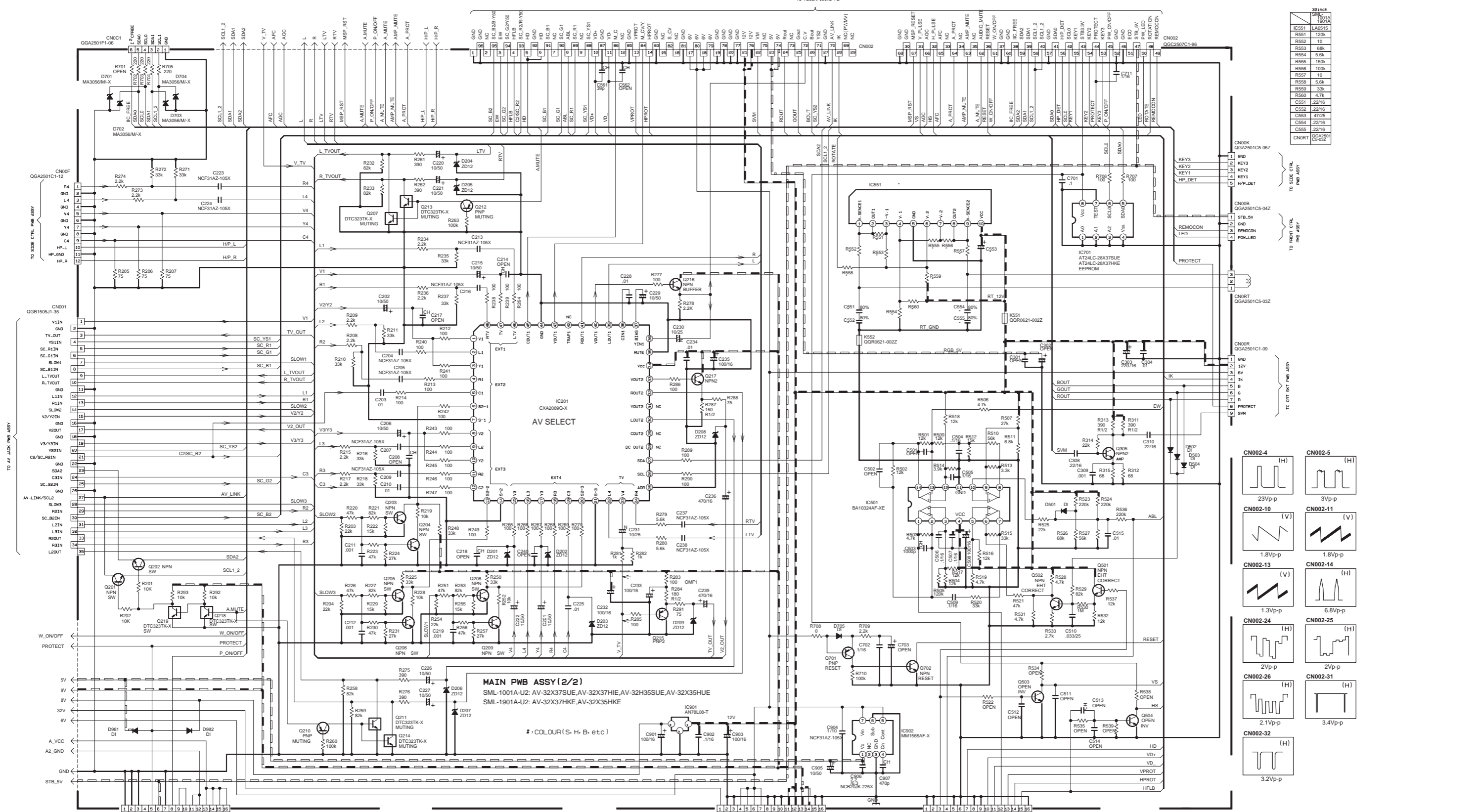
## MAIN PWB CIRCUIT DIAGRAM (1/2) SHEET 1



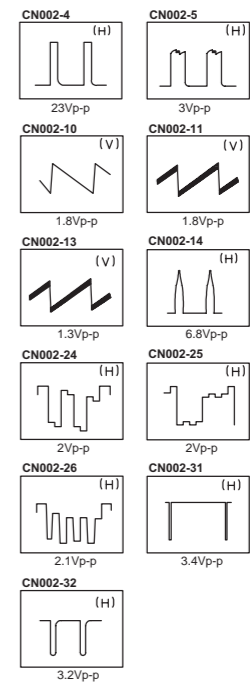
**MAIN\_PB\_ASSY (1/2)**  
 SML-1001A-U2: AV-32X37SUE,AV-32X37HIE,AV-32H35SUE,AV-32X35HUE  
 SML-1901A-U2: AV-32X37HKE,AV-32X35HKE

# : COLOUR (S, H, B, etc)

PIN NO.	VOLTAGE (V)	PIN NO.	VOLTAGE (V)	PIN NO.	VOLTAGE (V)	PIN NO.	VOLTAGE (V)	PIN NO.	VOLTAGE (V)	PIN NO.	VOLTAGE (V)	PIN NO.	VOLTAGE (V)	PIN NO.	VOLTAGE (V)	PIN NO.	VOLTAGE (V)	PIN NO.	VOLTAGE (V)	PIN NO.	VOLTAGE (V)	PIN NO.	VOLTAGE (V)	PIN NO.	VOLTAGE (V)	PIN NO.	VOLTAGE (V)	PIN NO.	VOLTAGE (V)	PIN NO.	VOLTAGE (V)	PIN NO.	VOLTAGE (V)																																																																						
IC101		10	1.1	20	0	40	7.1	60	3.7	80	4.8	100	-	120	-	140	-	160	-	180	-	200	-	220	-	240	-	260	-	280	-	300	-	320	-	340	-	360	-	380	-	400	-	420	-	440	-	460	-	480	-	500	-	520	-	540	-	560	-	580	-	600	-	620	-	640	-	660	-	680	-	700	-	720	-	740	-	760	-	780	-	800	-	820	-	840	-	860	-	880	-	900	-	920	-	940	-	960	-	980	-	1000	-



IC551	LA6515
R551	120K
R552	10K
R553	68K
R554	5.6K
R555	150K
R556	100K
R557	10
R558	5.6K
R559	33K
R560	4.7K
C551	2216
C552	2216
C553	4725
C554	2216
C555	2216
CN0RT	QGA2501C-05Z



PIN NO.	VOLTAGE (V)
1	3.8
2	4.3
3	3.8
4	4.3
5	4.3
6	6.5
7	7.0
8	3.8
9	4.3
10	3.8
11	0
12	4.3
13	6.5
14	0

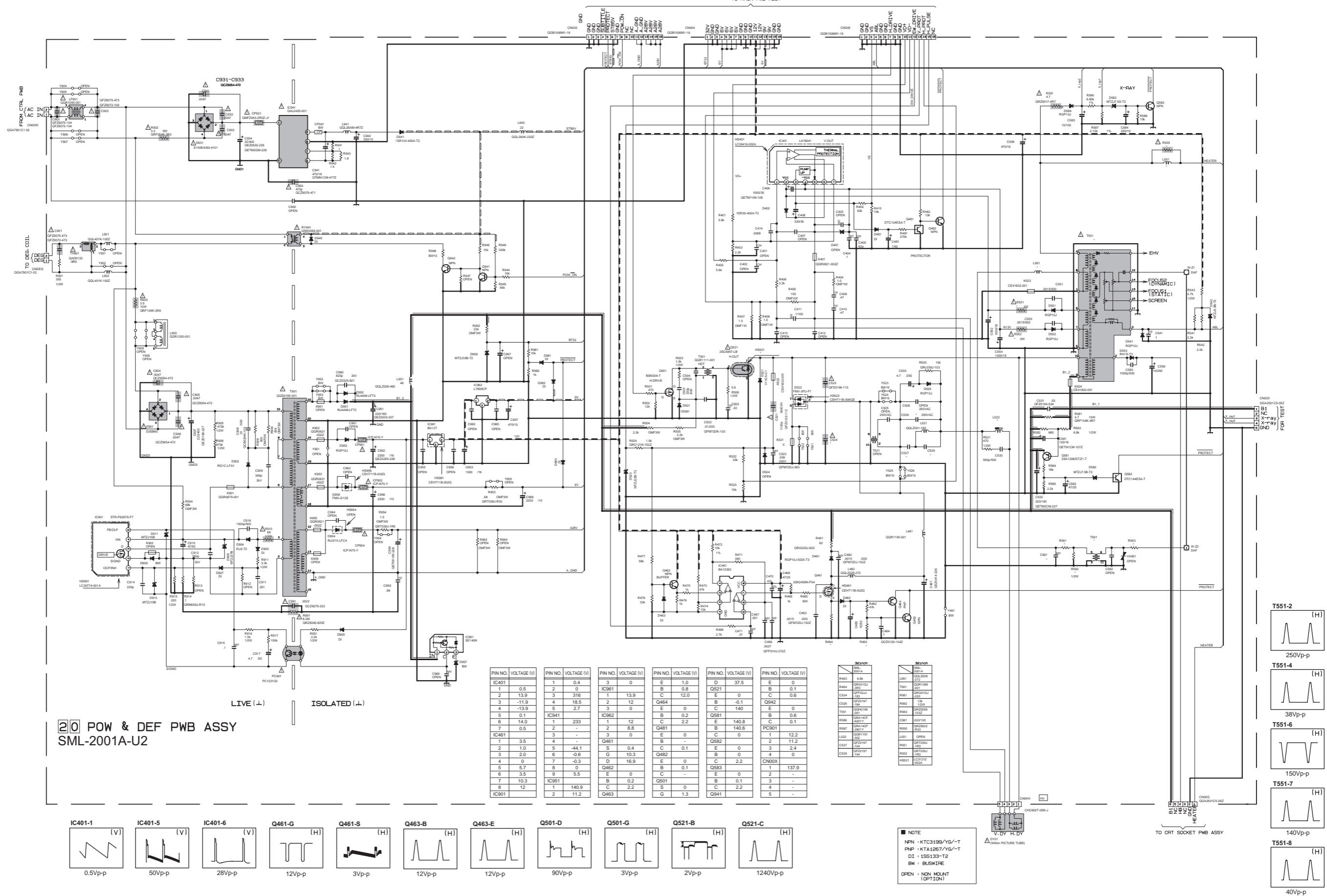
PIN NO.	VOLTAGE (V)
15	3.8
16	4.3
17	3.8
18	4.3
19	4.3
20	6.5
21	0
22	4.3
23	4.3
24	4.3
25	0
26	4.4
27	4.4
28	4.3
29	4.2

PIN NO.	VOLTAGE (V)
30	4.3
31	3.4
32	4.4
33	3.4
34	4.3
35	0
36	4.8
37	4.3
38	4.3
39	4.3
40	4.4
41	4.3
42	0
43	4.1
44	0

PIN NO.	VOLTAGE (V)
45	4.3
46	4.3
47	3.8
48	4.3
49	0
50	5.7
51	5.7
52	0
53	5.5
54	0
55	3.2
56	3.2
57	0
58	3.2
59	0
60	0
61	12

PIN NO.	VOLTAGE (V)
62	8.0
63	0
64	0
65	4.9
66	0
67	0
68	3.3
69	0
70	0
71	0
72	0
73	0
74	0
75	0
76	0
77	0
78	0
79	0
80	0
81	0
82	0
83	0
84	0
85	0
86	0
87	0
88	0
89	0
90	0
91	0
92	0
93	0
94	0
95	0
96	0
97	0
98	0
99	0
100	0

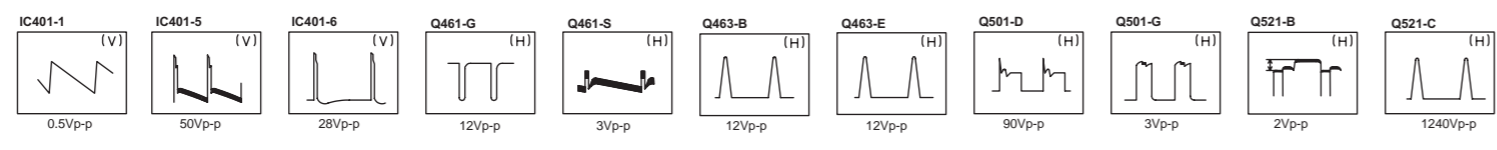
POWER & DEF PWB CIRCUIT DIAGRAM SHEET 3



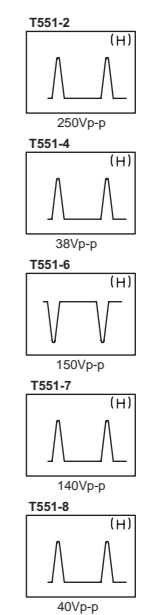
20 POW & DEF PWB ASSY  
 SML-2001A-U2

LIVE (-) ISOLATED (+)

PIN NO.	VOLTAGE (V)	PIN NO.	VOLTAGE (V)	PIN NO.	VOLTAGE (V)	PIN NO.	VOLTAGE (V)	PIN NO.	VOLTAGE (V)	PIN NO.	VOLTAGE (V)
IC401		IC941		IC961		Q521		Q581		Q582	
1	0.5	1	233	1	12	B	140.8	1	137.9	1	137.9
2	13.9	2	-	2	8.8	C	140.6	2	-	2	-
3	-11.9	3	-	3	0	E	0	3	0	3	0
4	-13.9	4	-	4	12	B	0	4	0	4	0
5	0.1	5	2.7	5	0	C	2.2	5	0	5	-
6	14.0	6	1.0	6	0	E	0	6	0	6	0
7	0.5	7	-	7	0	B	140.8	7	0	7	0
IC461		IC941		IC961		Q521		Q581		Q582	
1	3.5	1	233	1	12	B	140.8	1	137.9	1	137.9
2	1.0	2	-	2	8.8	C	140.6	2	-	2	-
3	2.0	3	-	3	0	E	0	3	0	3	0
4	0	4	-	4	12	B	0	4	0	4	0
5	-44.1	5	2.7	5	0	C	2.2	5	0	5	-
6	-6	6	1.0	6	0	E	0	6	0	6	0
7	-0.3	7	-	7	0	B	140.8	7	0	7	0
8	0	8	-	8	0	C	2.2	8	0	8	0
9	5.7	9	-	9	0	E	0	9	0	9	0
10	3.5	10	-	10	0	B	0	10	0	10	0
IC901		IC941		IC961		Q521		Q581		Q582	
1	140.9	1	233	1	12	B	140.8	1	137.9	1	137.9
2	11.2	2	-	2	8.8	C	140.6	2	-	2	-



NOTE  
 NPN - KTC3199/YG/-T  
 PNP - KTA1267/YG/-T  
 DI - 1SS133-T2  
 BW - BUSWIRE  
 OPEN - NON MOUNT (OPTION)

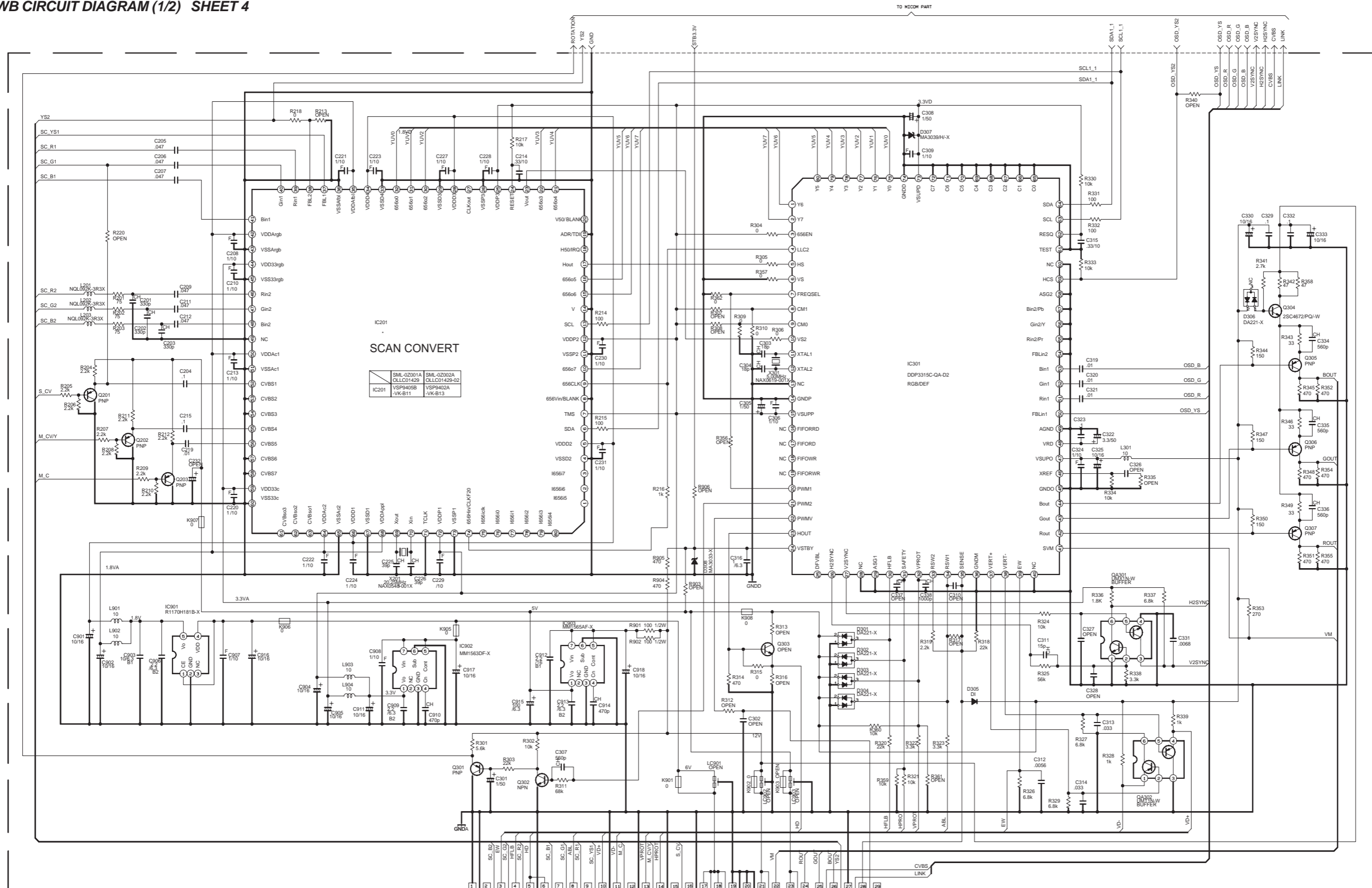




AV-32X37SUE AV-32X37HKE  
 AV-32X35HKE AV-32X37HIE  
 AV-32H35SUE AV-32X35HUE

AV-32X37SUE AV-32X37HKE  
 AV-32X35HKE AV-32X37HIE  
 AV-32H35SUE AV-32X35HUE

100Hz PWB CIRCUIT DIAGRAM (1/2) SHEET 4



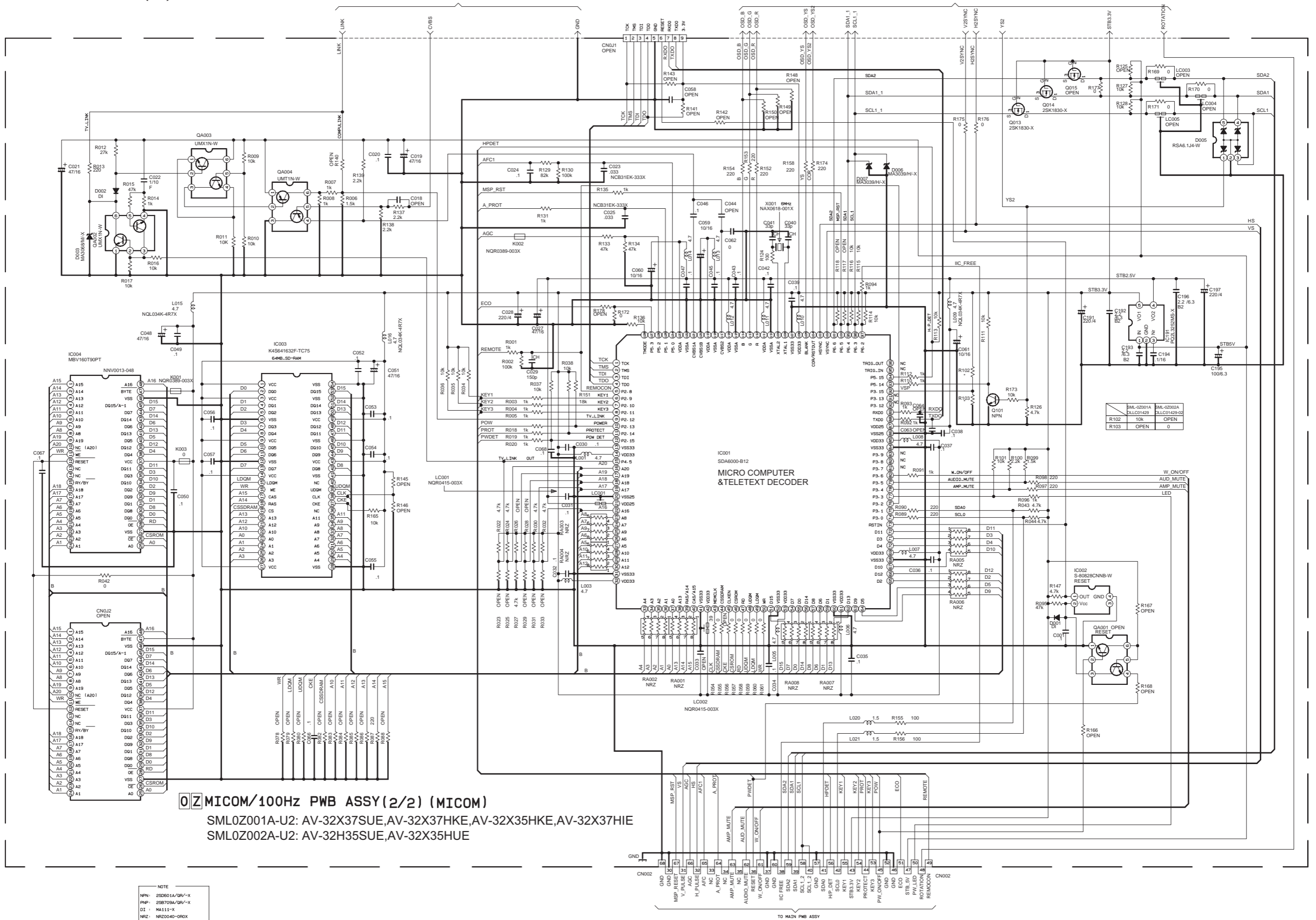
IC201

SML-02001A	SML-02002A
OLLCO1429	OLLCO1429-02
VSP9405B	VSP9402A
-VK-B11	-VK-B13

MICOM/100Hz PWB ASSY (1/2) (100Hz)  
 SML0Z001A-U2: AV-32X37SUE,AV-32X37HKE,AV-32X35HKE,AV-32X35HIE  
 SML0Z002A-U2: AV-32H35SUE,AV-32X35HUE

NOTE  
 NPN: 25B051A/GR/-X  
 PNP: 25B709A/GR/-X  
 DI: MA111-X  
 ○: CHIP BUS WIRE

PIN NO.	VOLTAGE (V)	PIN NO.	VOLTAGE (V)	PIN NO.	VOLTAGE (V)	PIN NO.	VOLTAGE (V)	PIN NO.	VOLTAGE (V)	PIN NO.	VOLTAGE (V)	PIN NO.	VOLTAGE (V)
1	0	13	0	26	2.5	39	4.4	52	1.6	65	1.6	78	0
2	0	14	0.2	27	0	40	4.4	53	3.2	66	1.7	79	5.5
3	2.3	15	0	28	1.4	41	3.2	54	3.2	67	0	80	5.5
4	2.1	16	0	29	0	42	3.2	55	3.2	68	0	81	0
5	1.4	17	5.5	30	0	43	3.2	56	3.2	69	0	82	0
6	0	18	5.5	31	3.1	44	2.2	57	0	70	4.0	83	0
7	0	19	0	32	2.7	45	0	58	4.4	71	0	84	4.1
8	2.2	20	0	33	0	46	0	59	4.4	72	3.7	85	0
9	0	21	1.2	34	0	47	4.6	60	0	73	0	86	4.2
10	2.0	22	4.7	35	0	48	1.2	61	0	74	4.9	87	0
11	2.0	23	4.9	36	3.2	49	2.4	62	0	75	0	88	0
12	0	24	2.5	37	0	50	0	63	0	76	1.2	89	0
		25	2.5	38	0	51	0	64	0.4	77	0	90	0



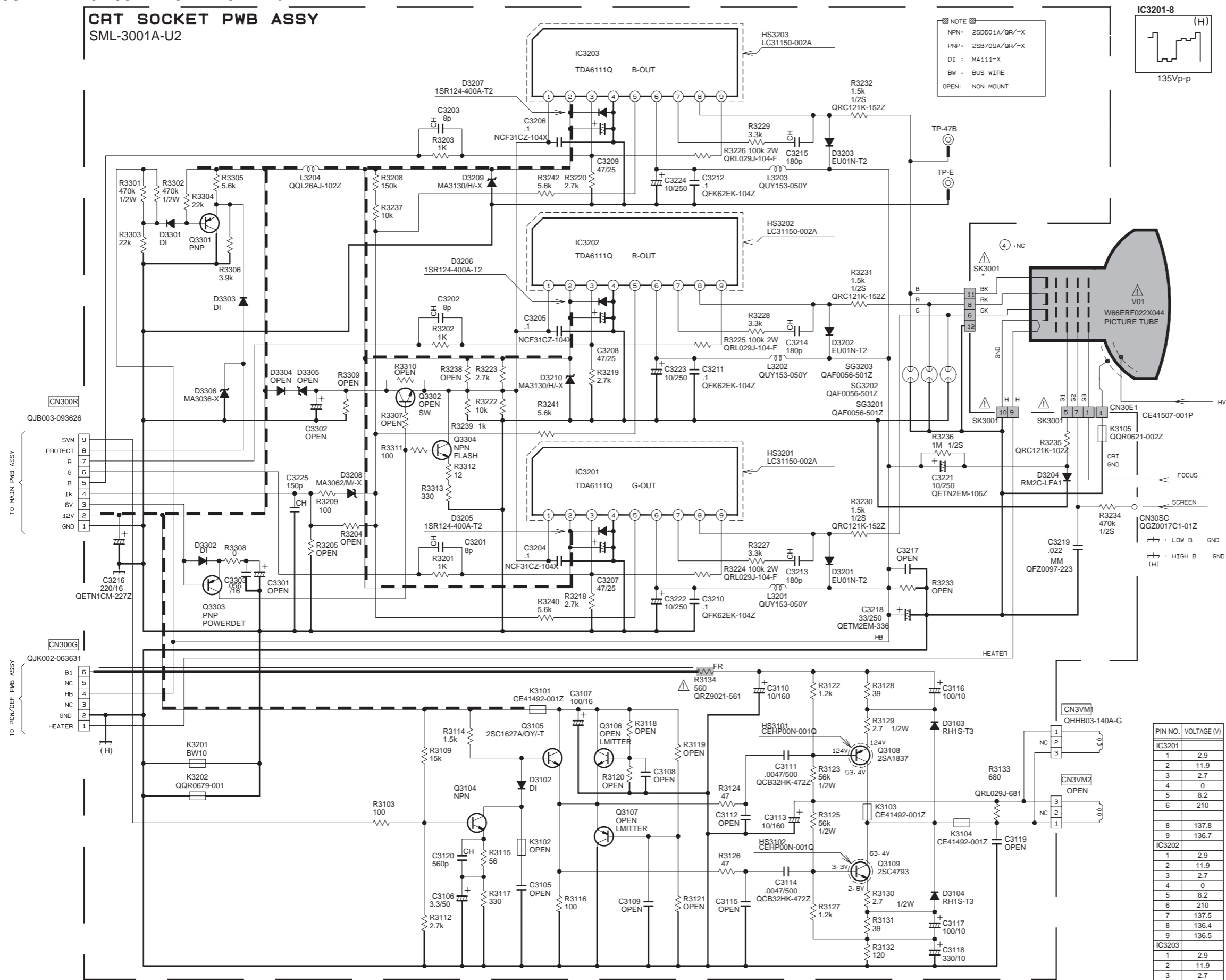
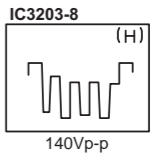
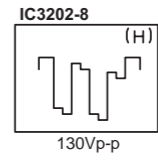
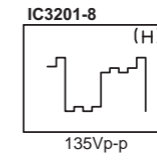
**MICOM/100Hz PWB ASSY (2/2) (MICOM)**  
 SML0Z001A-U2: AV-32X37SUE, AV-32X37HKE, AV-32X35HKE, AV-32X37HIE  
 SML0Z002A-U2: AV-32H35SUE, AV-32X35HUE

NOTE  
 NPN: 28601A/GR-X  
 PNP: 28709A/GR-X  
 DI: MA111-X  
 NRZ: NRZ0040-ORX  
 O: CHIP BUS WIRE

CRT SOCKET PWB CIRCUIT DIAGRAM SHEET 6

CRT SOCKET PWB ASSY  
SML-3001A-U2

NOTE  
NPN: 2SD601A/QR/-X  
PNP: 2SB709A/QR/-X  
DI: MA111-X  
BW: BUS WIRE  
OPEN: NON-MOUNT



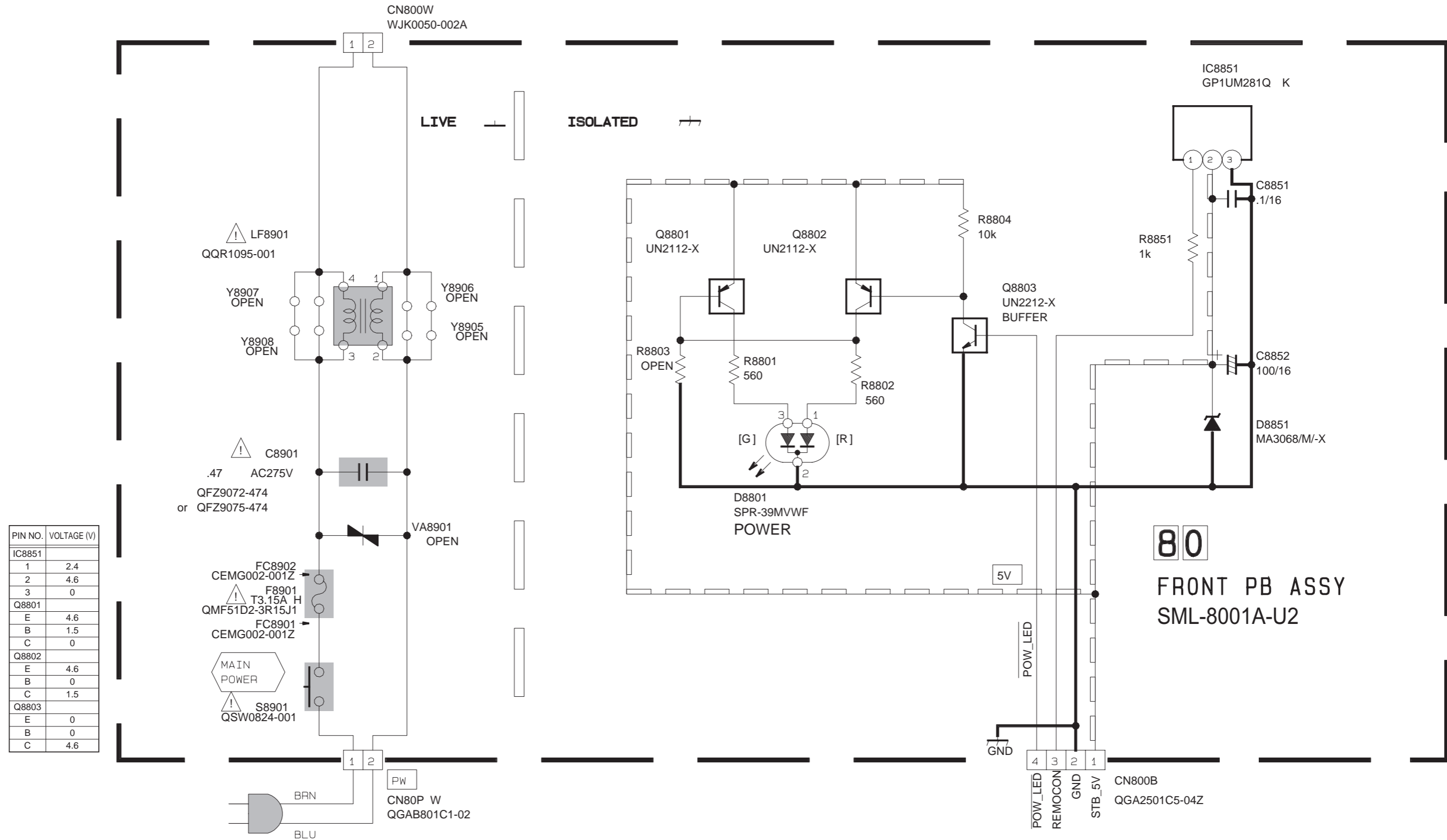
SK3001	SML-3001A
	QNZ0574-001

PIN NO.	VOLTAGE (V)
IC3201	
1	2.9
2	11.9
3	2.7
4	0
5	8.2
6	210
8	137.8
9	136.7
IC3202	
1	2.9
2	11.9
3	2.7
4	0
5	8.2
6	210
7	137.5
8	136.4
9	136.5
IC3203	
1	2.9
2	11.9
3	2.7
4	0
5	8.2

PIN NO.	VOLTAGE (V)
6	210
7	135.2
8	135
9	134.5
Q3104	
E	1.1
B	1.7
C	6.2
Q3105	
E	6.2
B	6.8
C	12.0
Q3108	
E	127.6
B	127.1
C	64.2
Q3109	
E	3.4
B	3.8
C	64.2
Q3301	
E	4.8
B	12.0
C	0
Q3303	
E	11.8

FRONT CONTROL PWB CIRCUIT DIAGRAM SHEET 7

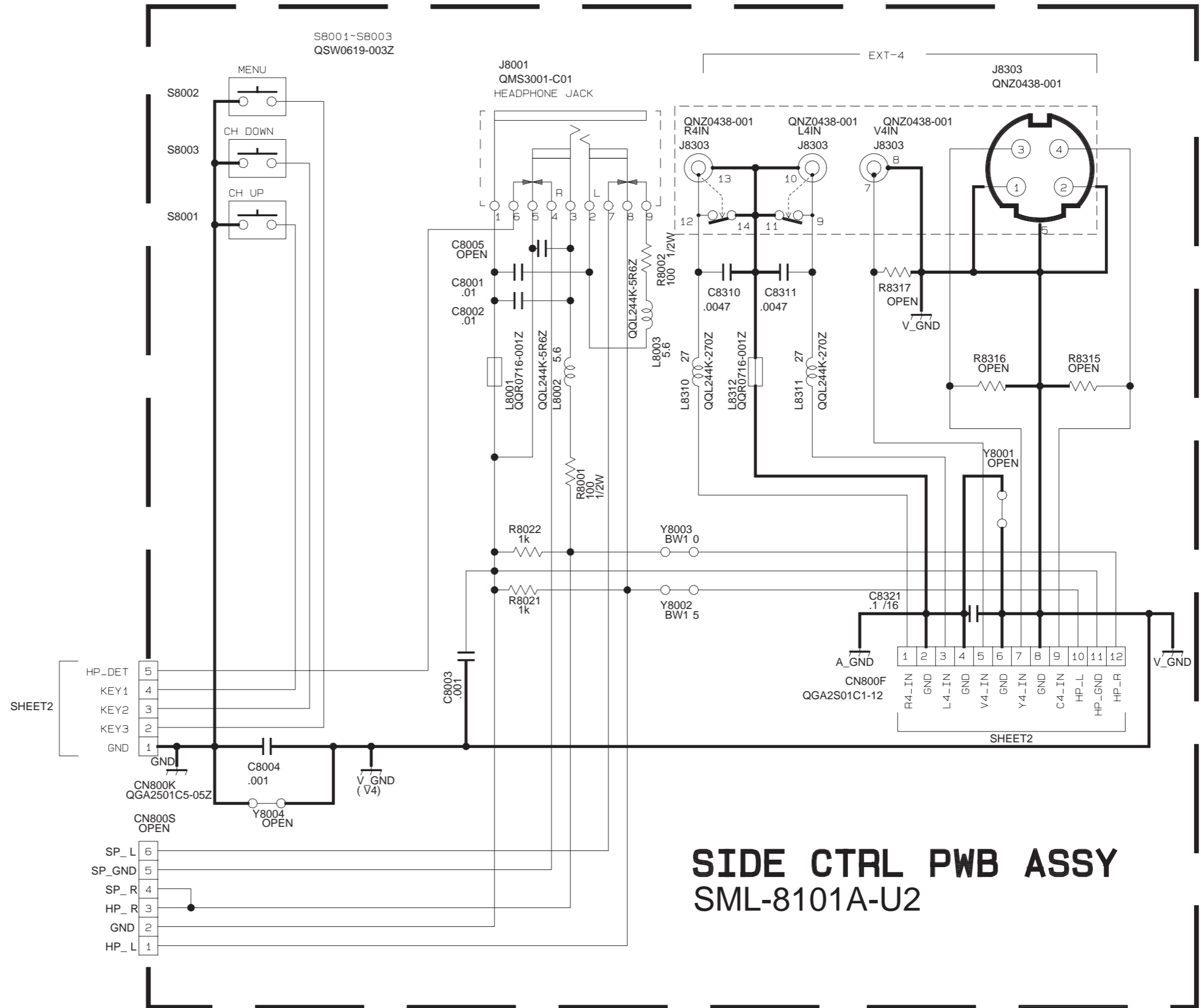
TO POW/DEF PB ASSY



PIN NO.	VOLTAGE (V)
IC8851	
1	2.4
2	4.6
3	0
Q8801	
E	4.6
B	1.5
C	0
Q8802	
E	4.6
B	0
C	1.5
Q8803	
E	0
B	0
C	4.6

POWER CORD  
 UE: QMPK160-185-JC  
 KE, IE: QMPN130-185-JC  
 AE: QMP2980-185J5

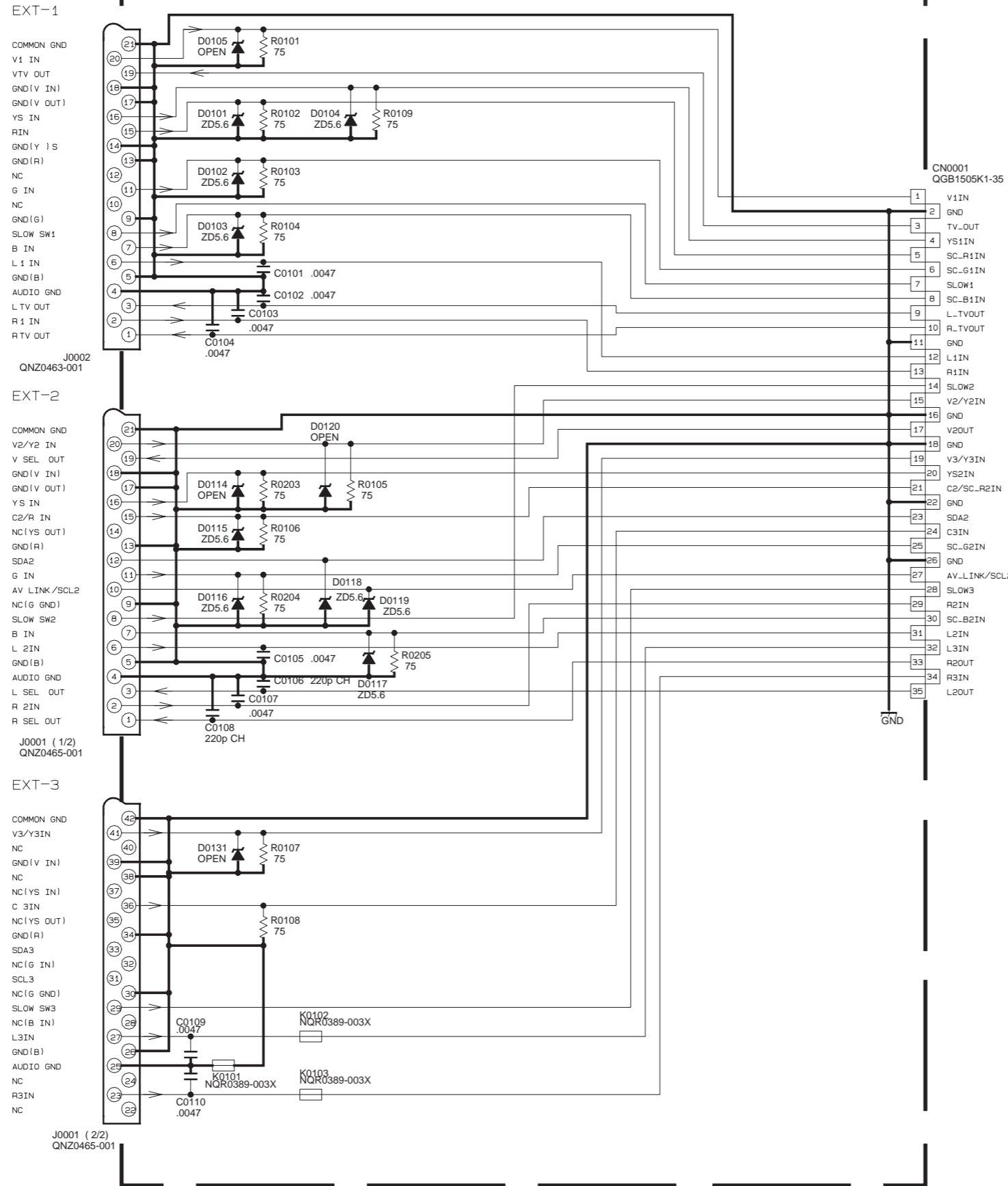




- NPN: 2SD601A/QR/-X
- PNP: 2SB709A/QR/-X
- DI : MA111-X
- DTC: DTC124EKA-X
- DTA: DTA124EKA-X
- O: NRSA63J-OR0X
- BW: 5mm IM-BW
- BW10: 10mm IM-BW
- BW15: 15mm IM-BW

AV JACK PWB CIRCUIT DIAGRAM SHEET 9

**AV JACK PWB ASSY**  
**SML0J001A-U2**



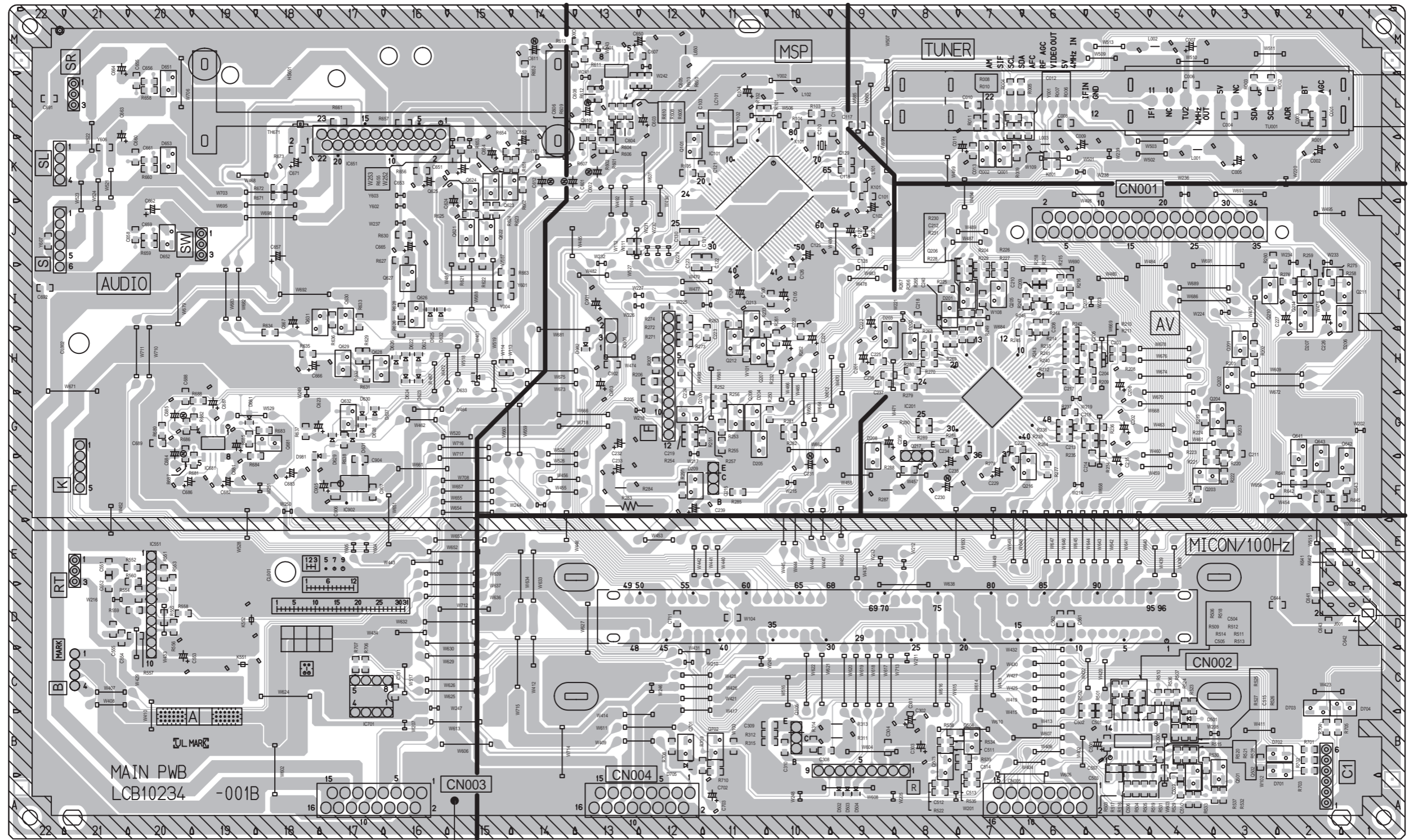
TO MAIN PWB ASSY

NOTE  
 OPEN : OPTION(NON MOUNT)  
 BW : 5mm IM-BW(GUY153-050Y)  
 0 : NRSAB3J-0R0X  
 ZD5.6 : MA3056/M/-X

# PATTERN DIAGRAMS

## MAIN PWB PATTERN

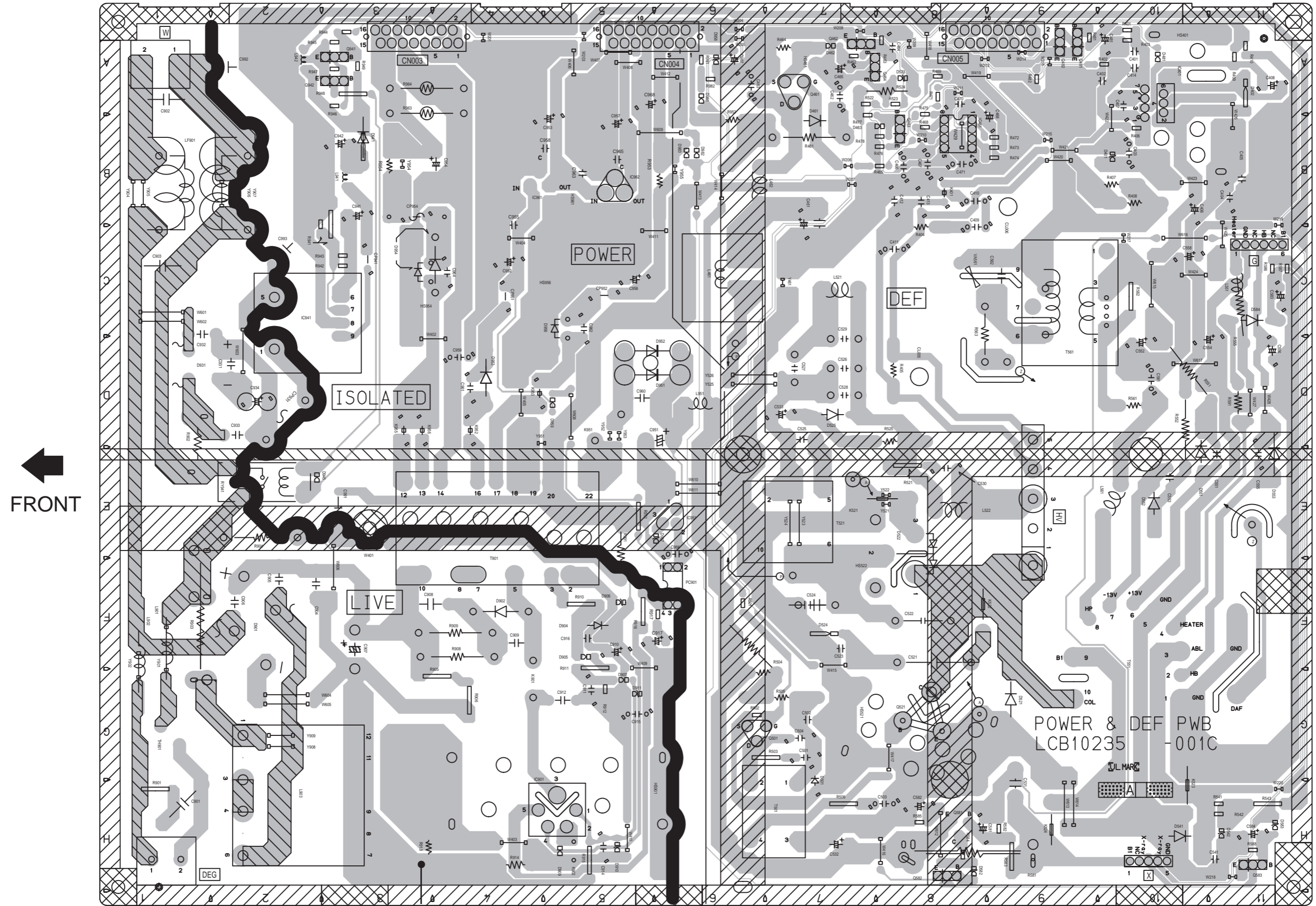
←  
FRONT



(H)



POWER & DEF PWB PATTERN

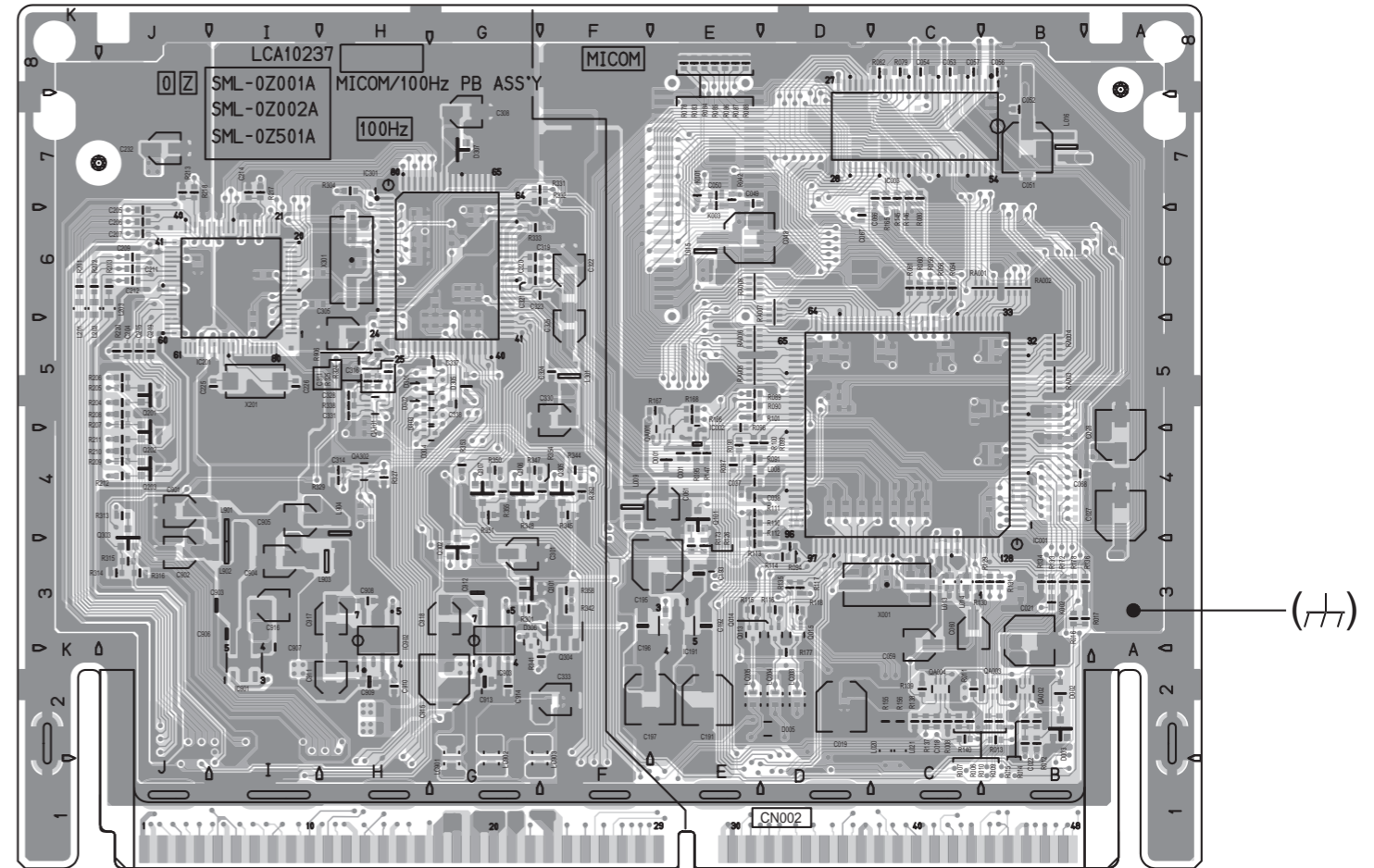
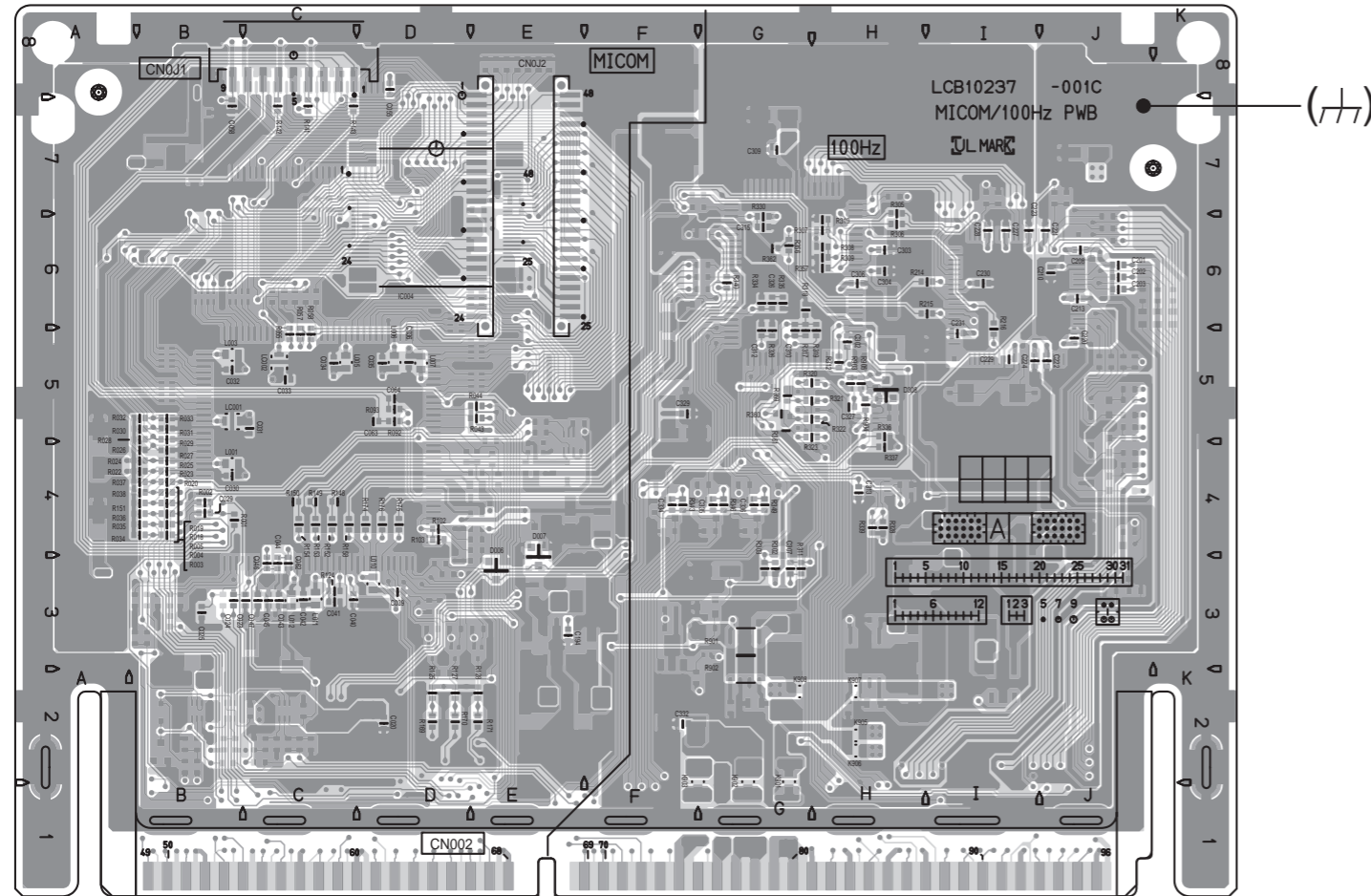


POWER & DEF PWB  
LCB10235  
-001C

UL MARK

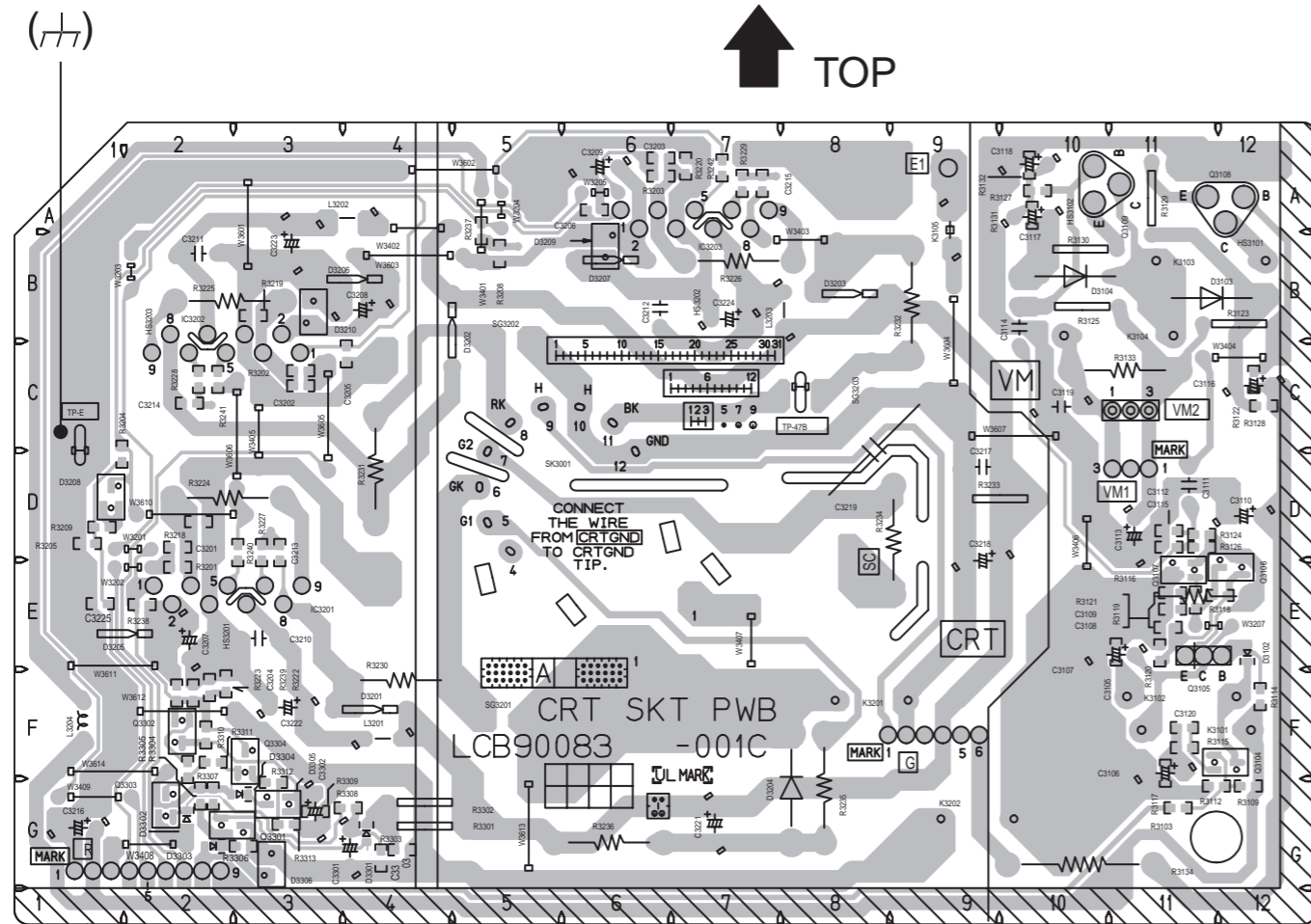
100Hz PWB PATTERN [SOLDER SIDE]

100Hz PWB PATTERN [PARTS SIDE]

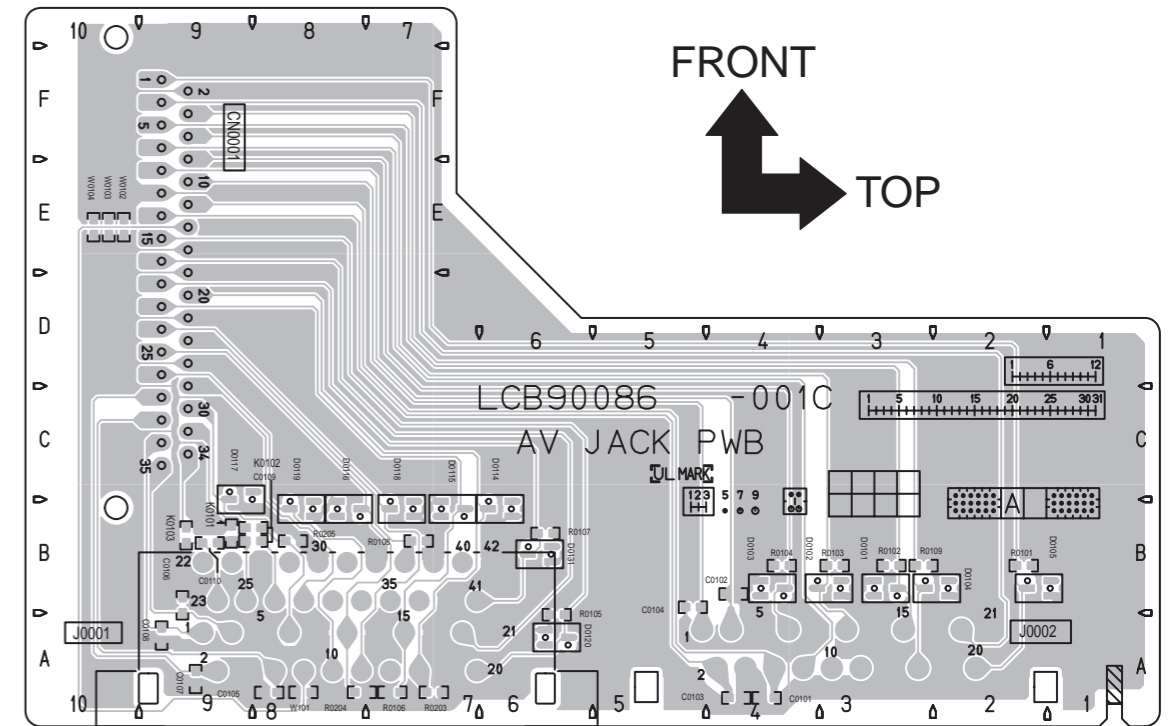




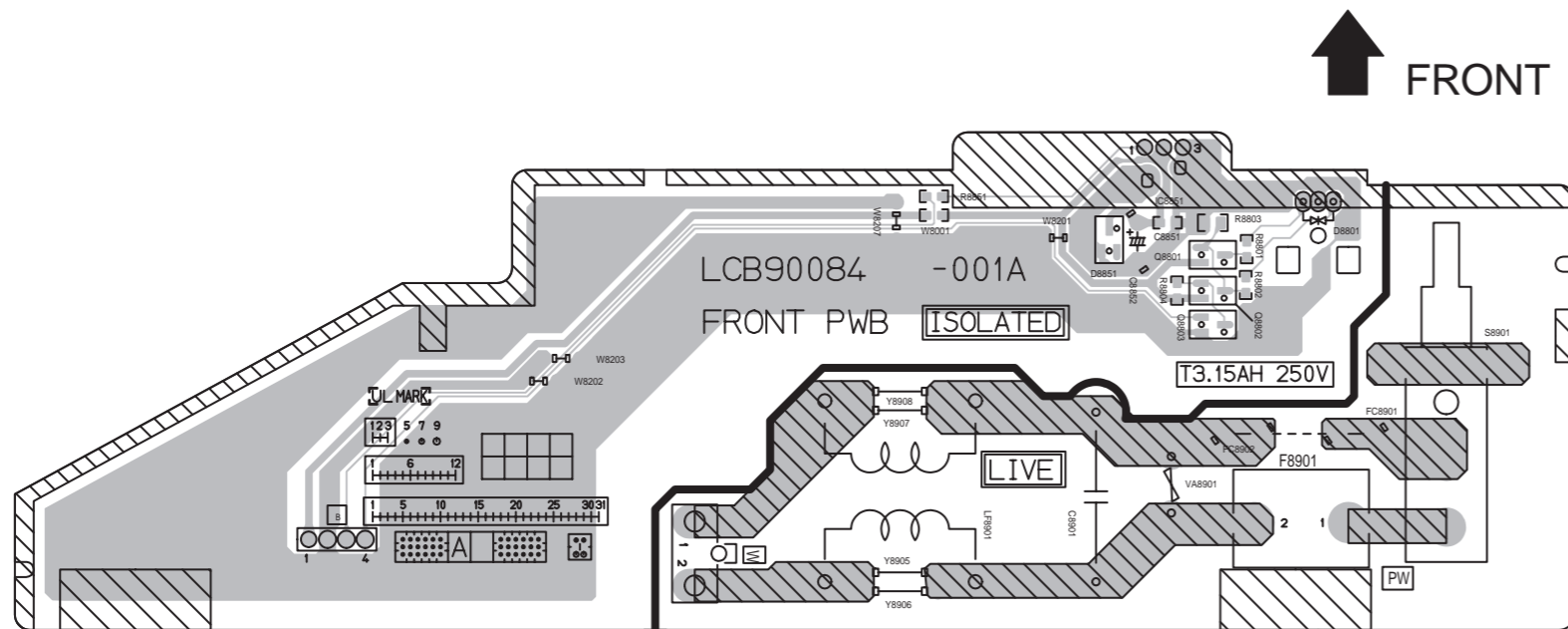
**CRT SOCKET PWB PATTERN**



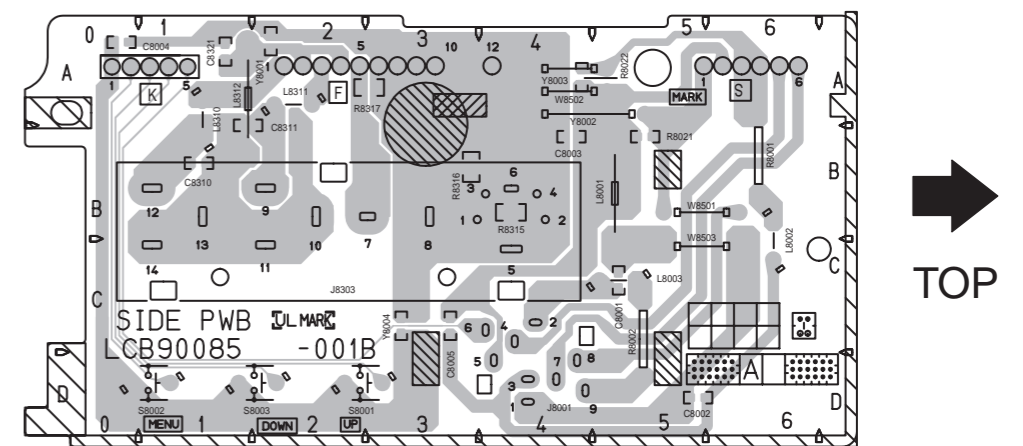
**AV JACK PWB PATTERN**



**FRONT CONTROL PWB PATTERN**



**SIDE CONTROL PWB PATTERN**



AV-32X37SUE AV-32X37HKE  
AV-32X37HIE AV-32X35HUE  
AV-32X35HKE AV-32H35SUE



VICTOR COMPANY OF JAPAN, LIMITED  
AV & MULTIMEDIA COMPANY DISPLAY CATEGORY 12, 3-chome, Moriya-cho, kanagawa-ku, Yokohama, kanagawa-prefecture, 221-8528, Japan

(No.52107)

# PARTS LIST

## CAUTION

- The parts identified by the  $\Delta$  symbol are important for the safety . Whenever replacing these parts, be sure to use specified ones to secure the safety.
- The parts not indicated in this Parts List and those which are filled with lines --- in the Parts No. columns will not be supplied.
- P. W. Board Ass'y will not be supplied, but those which are filled with the Parts No. in the Parts No. columns will be supplied.

### ABBREVIATIONS OF RESISTORS, CAPACITORS AND TOLERANCES

RESISTORS		CAPACITORS	
CR	Carbon Resistor	C CAP.	Ceramic Capacitor
FR	Fusible Resistor	E CAP.	Electrolytic Capacitor
PR	Plate Resistor	M CAP.	Mylar Capacitor
VR	Variable Resistor	CH CAP.	Chip Capacitor
HV R	High Voltage Resistor	HV CAP.	High Voltage Capacitor
MF R	Metal Film Resistor	MF CAP.	Metalized Film Capacitor
MG R	Metal Glazed Resistor	MM CAP.	Metalized Mylar Capacitor
MP R	Metal Plate Resistor	MP CAP.	Metalized Polystyrol Capacitor
OM R	Metal Oxide Film Resistor	PP CAP.	Polypropylene Capacitor
CMF R	Coating Metal Film Resistor	PS CAP.	Polystyrol Capacitor
UNF R	Non-Flammable Resistor	TF CAP.	Thin Film Capacitor
CH V R	Chip Variable Resistor	MPP CAP.	Metalized Polypropylene Capacitor
CH MG R	Chip Metal Glazed Resistor	TAN. CAP.	Tantalum Capacitor
COMP. R	Composition Resistor	CH C CAP.	Chip Ceramic Capacitor
LPTC R	Linear Positive Temperature Coefficient Resistor	BP E CAP.	Bi-Polar Electrolytic Capacitor
		CH AL E CAP.	Chip Aluminum Electrolytic Capacitor
		CH AL BP CAP.	Chip Aluminum Bi-Polar Capacitor
		CH TAN. E CAP.	Chip Tantalum Electrolytic Capacitor
		CH AL BP E CAP.	Chip Tantalum Bi-Polar Electrolytic Capacitor

RESISTORS									
F	G	J	K	M	N	R	H	Z	P
±1%	±2%	±5%	±10%	±20%	±30%	+30% -10%	+50% -10%	+80% -20%	+100% -0%



## CONTENTS

<b>USING P.W. BOARD &amp; REMOTE CONTROL UNIT</b> .....	<b>3-2</b>
<b>EXPLODED VIEW PARTS LIST -1</b> .....	<b>3-3</b>
<b>EXPLODED VIEW -1</b> .....	<b>3-3</b>
<b>EXPLODED VIEW PARTS LIST -2</b> .....	<b>3-4</b>
<b>EXPLODED VIEW -2</b> .....	<b>3-5</b>
<b>PRINTED WIRING BOARD PARTS LIST</b> .....	<b>3-6</b>
[AV-32H35SUE / AV-32X35HUE / AV-32X37HIE / AV-32X37SUE]	
MAIN PW BOARD ASS'Y (SML-1001A-U2) .....	3-6
[AV-32X35HKE / AV-32X37HKE]	
MAIN PW BOARD ASS'Y (SML-1901A-U2) .....	3-8
POWER & DEF PW BOARD ASS'Y (SML-2001A-U2) .....	3-11
CRT SOCKET PW BOARD ASS'Y (SML-3001A-U2) .....	3-12
FRONT CONTROL PW BOARD ASS'Y (SML-8001A-U2) .....	3-13
SIDE CONTROL PW BOARD ASS'Y (SML-8101A-U2) .....	3-13
AV JACK PW BOARD ASS'Y (SML0J001A-U2) .....	3-14
100HZ PW BOARD ASS'Y (SML0Z001A-U2) .....	3-14
<b>REMOTE CONTROL UNIT PARTS LIST (RM-C54H-1C)</b> .....	<b>3-16</b>
<b>REMOTE CONTROL UNIT PARTS LIST (RM-C55H-1C)</b> .....	<b>3-16</b>
<b>PACKING</b> .....	<b>3-17</b>
<b>PACKING PARTS LIST</b> .....	<b>3-17</b>

## USING P.W. BOARD & REMOTE CONTROL UNIT

[AV-32X35HKE / AV-32H35SUE / AV-32X35HUE]

P.W.B ASS'Y	AV-32X37SUE	AV-32X37HKE	AV-32X35HKE
MAIN PWB	SML-1001A-U2	SML-1901A-U2	←
POWER & DEF PWB	SML-2001A-U2	←	←
100Hz PWB	SML0Z001A-U2	←	←
CRT SOCKET PWB	SML-3001A-U2	←	←
FRONT CONTROL PWB	SML-8001A-U2	←	←
SIDE CONTROL PWB	SML-8101A-U2	←	←
AV JACK PWB	SML0J001A-U2	←	←
REMOTE CONTROL UNIT	RM-C54H-1C	RM-C55H-1C	←

[AV-32X37HKE / AV-32X37SUE / AV-32X37HIE]

P.W.B ASS'Y	AV-32X37HIE	AV-32H35SUE	AV-32X35HUE
MAIN PWB	SML-1001A-U2	←	←
POWER & DEF PWB	SML-2001A-U2	←	←
100Hz PWB	SML0Z001A-U2	SML0Z002A-U2	←
CRT SOCKET PWB	SML-3001A-U2	←	←
FRONT CONTROL PWB	SML-8001A-U2	←	←
SIDE CONTROL PWB	SML-8101A-U2	←	←
AV JACK PWB	SML0J001A-U2	←	←
REMOTE CONTROL UNIT	RM-C55H-1C	RM-C54H-1C	←

## EXPLODED VIEW PARTS LIST -1

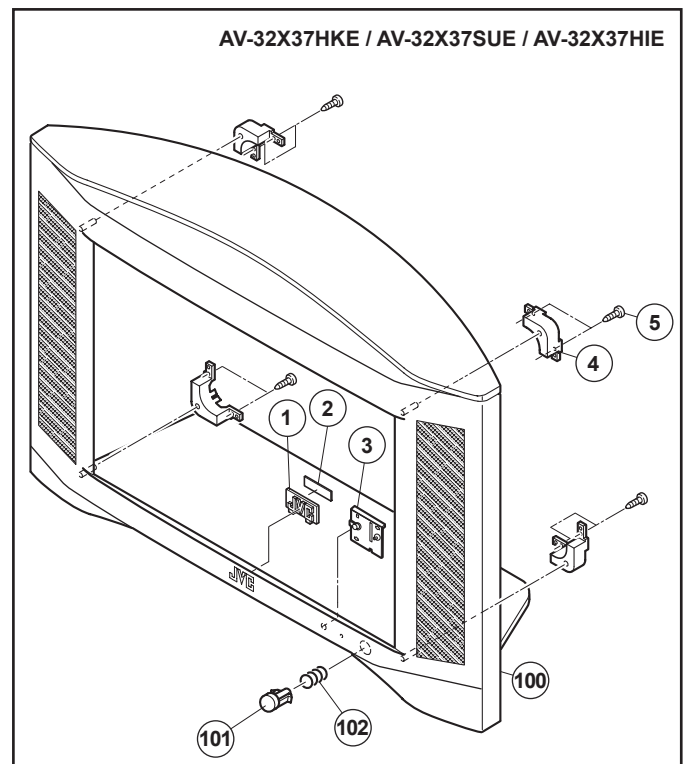
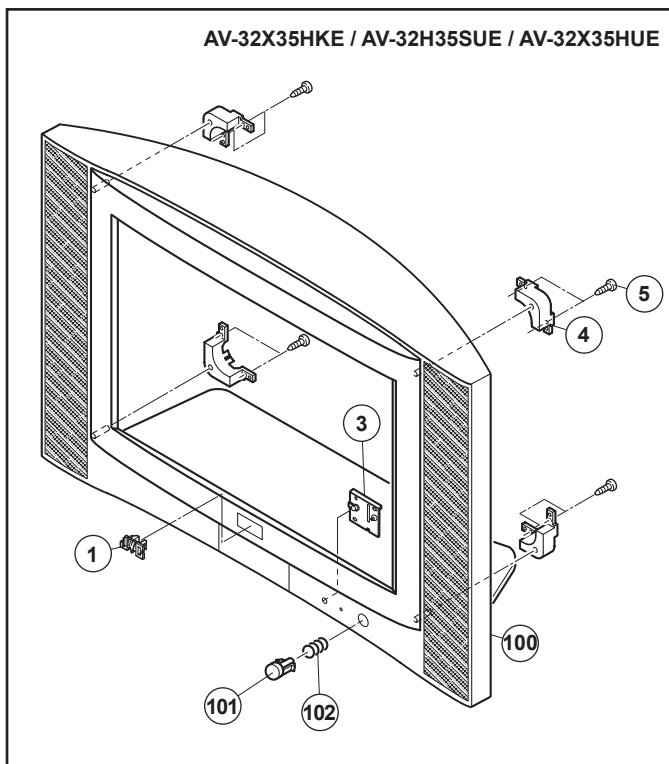
### [AV-32X35HKE / AV-32H35SUE / AV-32X35HUE]

△ Ref.No.	Part No.	Part Name	Description	Local
1	LC41250-002C-C	JVC MARK		32H35SUE
1	LC41250-001C-C	JVC MARK		32X35HKE / 32X35HUE
3	LC31851-001B-C	WINDOW		
4	LC20508-001D-U	ADAPTER	(x4)	
5	QYSBSAG4016N	TAP SCREW	4.0mm x 16mm(x8)	
△ 100	LC11360-007A-U	F CABI ASSY	Included 101, 102	32H35SUE
△ 100	LC11360-008A-U	F CABI ASSY	Included 101, 102	32X35HKE / 32X35HUE
△ 101	LC31201-003A-U	POWER KNOB		
102	AEM3149-001-E	SPRING		

### [AV-32X37HKE / AV-32X37SUE / AV-32X37HIE]

△ Ref.No.	Part No.	Part Name	Description	Local
1	LC41522-002	JVC MARK		32X37SUE
1	LC41522-001B	JVC MARK		32X37HKE / 32X37HIE
2	LC41578-001A-C	MARK SPACER		
3	LC32229-001B-C	WINDOW		
4	LC20508-001D-U	ADAPTER	(x4)	
5	QYSBSAG4016N	TAP SCREW	4.0mm x 16mm(x8)	
△ 100	LC11563-002A-U	F CABI ASSY	Included 101, 102	32X37HIE / 32X37HKE
△ 100	LC11563-001A-U	F CABI ASSY	Included 101, 102	32X37SUE
△ 101	LC31201-003A-U	POWER KNOB		
102	AEM3149-001-E	SPRING		

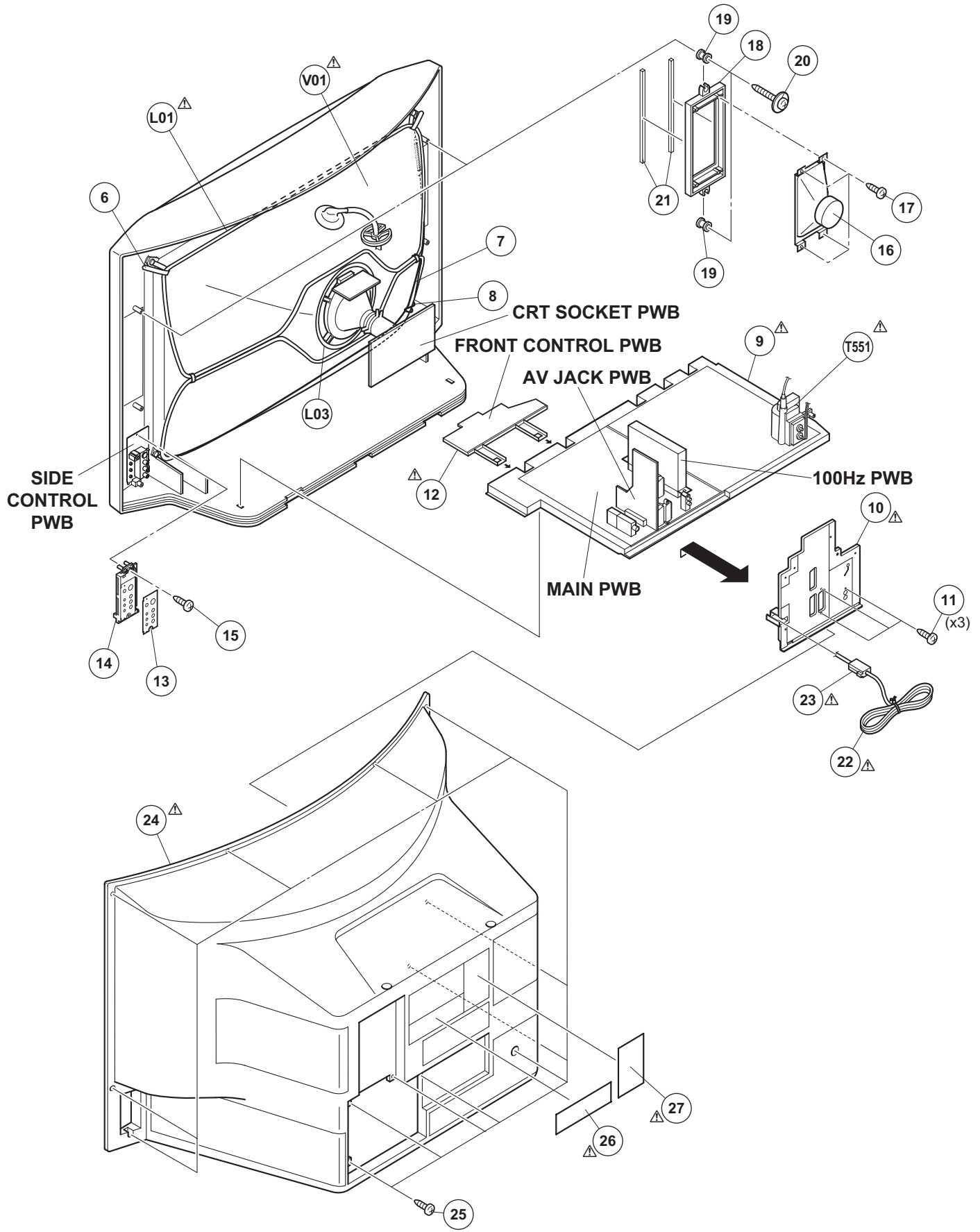
## EXPLODED VIEW -1



## EXPLODED VIEW PARTS LIST -2

△	Ref.No.	Part No.	Part Name	Description	Local
△	V01	W76ERF042X044	ITC	Included def.yoke, PC magnet	
△	L01	QQW0154-001	DEG COIL		
	L03	QQW0130-001	DEG COIL		
△	T551	QQH0156-001	FB TRANSF		
	6	LC30628-002A	DEG CLAMP	(x4)	
	7	WJY0021-002A	E-BRAIDED ASSY		
	8	WJY0013-002A	E-BRAIDED ASSY		
△	9	LC10716-002H-U	CHASSIS BASE		
△	10	LC11561-001A-U	AV BOARD		
	11	QYSBSF3012M	TAP SCREW	3mm x 12mm(x3)	
△	12	LC11311-002A-U	CONTROL BASE		
	13	LC31205-002A-U	CONTROL SHEET		
	14	LC10856-002A-U	SIDE CONT BASE		
	15	QYSBSAG4016N	TAP SCREW	4.0mm x 16mm	
	16	QAS0135-001	SPEAKER	SP01,02(x2)	32X35HUE / 32H35SUE
	16	QAS0128-001	SPEAKER	SP01,02(x2)	32X35HKE / 32X37HIE / 32X37HKE / 32X37SUE
	17	QYSBSAG4016N	TAP SCREW	4.0mm x 16mm(x8)	
	18	LC11310-001B-U	SPEAKER ADAPTER	(x2)	
	19	LC40226-003A-H	SPACER	(x4)	
	20	CM42937-006	ASSY SCREW	(x4)	
	21	AEM4111-001A-U	SPONGE	(x4)	
△	22	QMPN130-185-JC	POWER CORD(EU)	1.85m BLACK	32X35HKE / 32X37HIE / 32X37HKE
△	22	QMPK160-185-JC	POWER CORD(EU)	1.85m BLACK	32H35SUE / 32X35HUE / 32X37SUE
△	23	CM46618-A01-E	POWER CORD CLMP		
△	24	LC11316-002B-U	REAR COVER		
	25	QYSBSAG4016N	TAP SCREW	4.0mm x 16mm(x8)	
△	26	LC11583-004A-U	RATING LABEL		32H35SUE
△	26	LC11364-029A-U	RATING LABEL		32X35HKE
△	26	LC11548-010A-U	RATING LABEL		32X35HUE
△	26	LC11364-027A-U	RATING LABEL		32X37HIE
△	26	LC11364-025A-U	RATING LABEL		32X37HKE
△	26	LC11583-003A-U	RATING LABEL		32X37SUE
△	27	LC30789-002B-U	WARNING LABEL		32H35SUE / 32X35HUE / 32X37SUE ONLY

# EXPLODED VIEW -2



# PRINTED WIRING BOARD PARTS LIST

[AV-32H35SUE / AV-32X35HUE / AV-32X37HIE /  
 AV-32X37SUE]

MAIN PW BOARD ASS'Y (SML-1001A-U2)

△Ref No.	Part No.	Part Name	Description Local
IC101	MSP3413G-QA-B3	IC	
IC201	CXA2089Q-X	IC	
IC501	BA10324AF-XE	IC	
IC551	LA6515	IC	
IC601	BA4558F-X	IC	
IC651	AN5277	IC	
IC701	AT24LC-28X37SUE	IC	(SERVICE)
IC901	AN78L08-T	IC	
IC902	MM1565AF-X	IC	
Q001	2SD601A/QR/-X	TRANSISTOR	
Q002	2SD601A/QR/-X	TRANSISTOR	
Q101	UN2213-X	DIGI TRANSISTOR	
Q201	2SD601A/QR/-X	TRANSISTOR	
Q202	2SD601A/QR/-X	TRANSISTOR	
Q203	2SD601A/QR/-X	TRANSISTOR	
Q204	2SD601A/QR/-X	TRANSISTOR	
Q205	2SD601A/QR/-X	TRANSISTOR	
Q206	2SD601A/QR/-X	TRANSISTOR	
Q207	DTC323TK-X	DIGI TRANSISTOR	
Q208	2SD601A/QR/-X	TRANSISTOR	
Q209	2SD601A/QR/-X	TRANSISTOR	
Q210	2SB709A/QR/-X	TRANSISTOR	
Q211	DTC323TK-X	DIGI TRANSISTOR	
Q212	2SB709A/QR/-X	TRANSISTOR	
Q213	DTC323TK-X	DIGI TRANSISTOR	
Q214	DTC323TK-X	DIGI TRANSISTOR	
Q215	2SA933AS/QR/-T	TRANSISTOR	
Q216	2SD601A/QR/-X	TRANSISTOR	
Q217	2SC1740S/QR/-T	TRANSISTOR	
Q305	2SC1740S/QR/-T	TRANSISTOR	
Q501	2SD601A/QR/-X	TRANSISTOR	
Q502	2SD601A/QR/-X	TRANSISTOR	
Q503	2SD601A/QR/-X	TRANSISTOR	
Q504	2SD601A/QR/-X	TRANSISTOR	
Q621	2SB709A/QR/-X	TRANSISTOR	
Q622	2SB709A/QR/-X	TRANSISTOR	
Q623	UN2213-X	DIGI TRANSISTOR	
Q624	UN2213-X	DIGI TRANSISTOR	
Q625	UN2213-X	DIGI TRANSISTOR	
Q626	UN2213-X	DIGI TRANSISTOR	
Q627	2SD601A/QR/-X	TRANSISTOR	
Q628	UN2213-X	DIGI TRANSISTOR	
Q629	2SD601A/QR/-X	TRANSISTOR	
Q632	2SB709A/QR/-X	TRANSISTOR	
Q641	2SB709A/QR/-X	TRANSISTOR	
Q642	DTC323TK-X	DIGI TRANSISTOR	
Q643	DTC323TK-X	DIGI TRANSISTOR	
Q701	2SB709A/QR/-X	TRANSISTOR	
Q702	2SD601A/QR/-X	TRANSISTOR	
D201	MA3120/M/-X	Z DIODE	
D202	MA3120/M/-X	Z DIODE	
D203	MA3120/M/-X	Z DIODE	
D204	MA3120/M/-X	Z DIODE	
D205	MA3120/M/-X	Z DIODE	
D206	MA3120/M/-X	Z DIODE	
D207	MA3120/M/-X	Z DIODE	
D208	MA3120/M/-X	Z DIODE	
D209	MA3120/M/-X	Z DIODE	
D501	MA111-X	SI DIODE	
D502	MA111-X	SI DIODE	
D503	MA111-X	SI DIODE	
D504	MA111-X	SI DIODE	
D621	MA111-X	SI DIODE	
D622	MA111-X	SI DIODE	
D623	MA111-X	SI DIODE	
D624	MA111-X	SI DIODE	
D625	MA111-X	SI DIODE	
D626	MA111-X	SI DIODE	
D627	MA111-X	SI DIODE	
D628	MA111-X	SI DIODE	
D629	MA111-X	SI DIODE	
D630	MA111-X	SI DIODE	
D631	MA111-X	SI DIODE	
D633	MA111-X	SI DIODE	
D651	MA3330/L/-X	Z DIODE	
D652	MA3330/L/-X	Z DIODE	

△Ref No.	Part No.	Part Name	Description Local
D653	MA3330/L/-X	Z DIODE	
D701	MA3056/M/-X	Z DIODE	
D702	MA3056/M/-X	Z DIODE	
D703	MA3056/M/-X	Z DIODE	
D704	MA3056/M/-X	Z DIODE	
D705	MA111-X	SI DIODE	
D981	MA111-X	SI DIODE	
D982	MA111-X	SI DIODE	
C001	NCB31HK-222X	C CAPACITOR	2200pF 50V K
C002	QETN1HM-106Z	E CAPACITOR	10uF 50V M
C004	NCB31CK-104X	C CAPACITOR	0.1uF 16V K
C005	QETN1CM-108Z	E CAPACITOR	1000uF 16V M
C006	NCB31HK-103X	C CAPACITOR	0.01uF 50V K
C007	QETN1HM-106Z	E CAPACITOR	10uF 50V M
C008	NCB31CK-104X	C CAPACITOR	0.1uF 16V K
C009	QETN1HM-106Z	E CAPACITOR	10uF 50V M
C010	NCF31AZ-105X	C CAPACITOR	1uF 10V Z
C011	QETN1HM-106Z	E CAPACITOR	10uF 50V M
C012	NCB31HK-103X	C CAPACITOR	0.01uF 50V K
C013	NCB31HK-103X	C CAPACITOR	0.01uF 50V K
C101	NCB31CK-104X	C CAPACITOR	0.1uF 16V K
C102	QETN1HM-106Z	E CAPACITOR	10uF 50V M
C103	NCB31CK-104X	C CAPACITOR	0.1uF 16V K
C104	QETN1CM-107Z	E CAPACITOR	100uF 16V M
C105	QETN1HM-106Z	E CAPACITOR	10uF 50V M
C106	NCB31CK-104X	C CAPACITOR	0.1uF 16V K
C117	NCB31HK-103X	C CAPACITOR	0.01uF 50V K
C118	NCB31HK-103X	C CAPACITOR	0.01uF 50V K
C119	NDC31HJ-2R0X	C CAPACITOR	2pF 50V J
C120	NDC31HJ-2R0X	C CAPACITOR	2pF 50V J
C121	NCB31HK-103X	C CAPACITOR	0.01uF 50V K
C122	NDC31HJ-102X	C CAPACITOR	1000pF 50V J
C123	NDC31HJ-102X	C CAPACITOR	1000pF 50V J
C124	QETN1HM-106Z	E CAPACITOR	10uF 50V M
C125	QETN1HM-106Z	E CAPACITOR	10uF 50V M
C126	NCB31CK-104X	C CAPACITOR	0.1uF 16V K
C127	QETN1HM-106Z	E CAPACITOR	10uF 50V M
C128	NCB31CK-104X	C CAPACITOR	0.1uF 16V K
C130	NDC31HJ-102X	C CAPACITOR	1000pF 50V J
C131	NDC31HJ-102X	C CAPACITOR	1000pF 50V J
C201	QETN1HM-106Z	E CAPACITOR	10uF 50V M
C202	QETN1HM-106Z	E CAPACITOR	10uF 50V M
C203	NCB31HK-103X	C CAPACITOR	0.01uF 50V K
C204	NCF31AZ-105X	C CAPACITOR	1uF 10V Z
C205	NCF31AZ-105X	C CAPACITOR	1uF 10V Z
C206	QETN1HM-106Z	E CAPACITOR	10uF 50V M
C207	NCF31AZ-105X	C CAPACITOR	1uF 10V Z
C209	NCF31AZ-105X	C CAPACITOR	1uF 10V Z
C210	NCB31HK-103X	C CAPACITOR	0.01uF 50V K
C211	NCB31HK-102X	C CAPACITOR	1000pF 50V K
C212	NCB31HK-102X	C CAPACITOR	1000pF 50V K
C213	NCF31AZ-105X	C CAPACITOR	1uF 10V Z
C215	QETN1HM-106Z	E CAPACITOR	10uF 50V M
C216	NCF31AZ-105X	C CAPACITOR	1uF 10V Z
C219	NCB31HK-102X	C CAPACITOR	1000pF 50V K
C220	QETN1HM-106Z	E CAPACITOR	10uF 50V M
C221	QETN1HM-106Z	E CAPACITOR	10uF 50V M
C222	QETN1HM-106Z	E CAPACITOR	10uF 50V M
C223	NCF31AZ-105X	C CAPACITOR	1uF 10V Z
C224	NCF31AZ-105X	C CAPACITOR	1uF 10V Z
C225	NCB31HK-103X	C CAPACITOR	0.01uF 50V K
C226	QETN1HM-106Z	E CAPACITOR	10uF 50V M
C227	QETN1HM-106Z	E CAPACITOR	10uF 50V M
C228	NCB31HK-103X	C CAPACITOR	0.01uF 50V K
C229	QETN1HM-106Z	E CAPACITOR	10uF 50V M
C230	QENC1EM-106Z	BP E CAPACITOR	10uF 25V M
C231	QENC1EM-106Z	BP E CAPACITOR	10uF 25V M
C232	QETN1CM-107Z	E CAPACITOR	100uF 16V M
C233	QETN1CM-107Z	E CAPACITOR	100uF 16V M
C234	NCB31HK-103X	C CAPACITOR	0.01uF 50V K
C235	QETN1CM-107Z	E CAPACITOR	100uF 16V M
C236	QETN1CM-477Z	E CAPACITOR	470uF 16V M
C237	NCF31AZ-105X	C CAPACITOR	1uF 10V Z
C238	NCF31AZ-105X	C CAPACITOR	1uF 10V Z
C239	QETN1CM-477Z	E CAPACITOR	470uF 16V M
C303	QETN1HM-106Z	E CAPACITOR	10uF 50V M
C304	NCB31HK-103X	C CAPACITOR	0.01uF 50V K
C308	NCB31CK-224X	C CAPACITOR	0.22uF 16V K
C309	NCB31HK-102X	C CAPACITOR	1000pF 50V K
C310	NCB31CK-224X	C CAPACITOR	0.22uF 16V K
C503	NDC31HJ-102X	C CAPACITOR	1000pF 50V J
C504	NCB31CK-104X	C CAPACITOR	0.1uF 16V K
C506	NCB31CK-104X	C CAPACITOR	0.1uF 16V K

ΔRef No.	Part No.	Part Name	Description Local	ΔRef No.	Part No.	Part Name	Description Local
C507	NCB31CK-104X	C CAPACITOR	0.1uF 16V K	R231	NRSA63J-273X	MG RESISTOR	27kΩ 1/16W J
C508	QETN1CM-107Z	E CAPACITOR	100uF 16V M	R232	NRSA63J-823X	MG RESISTOR	82kΩ 1/16W J
C509	NCB31CK-104X	C CAPACITOR	0.1uF 16V K	R233	NRSA63J-823X	MG RESISTOR	82kΩ 1/16W J
C510	NCB31EK-333X	C CAPACITOR	0.033uF 25V K	R234	NRSA63J-222X	MG RESISTOR	2.2kΩ 1/16W J
C511	NCB31HK-682X	C CAPACITOR	6800pF 50V K	R235	NRSA63J-333X	MG RESISTOR	33kΩ 1/16W J
C513	NDC31HJ-150X	C CAPACITOR	15pF 50V J	R236	NRSA63J-222X	MG RESISTOR	2.2kΩ 1/16W J
C515	NCB31HK-103X	C CAPACITOR	0.01uF 50V K	R237	NRSA63J-333X	MG RESISTOR	33kΩ 1/16W J
C551	NCF31CZ-224X	C CAPACITOR	0.22uF 16V Z	R238	NRSA63J-101X	MG RESISTOR	100Ω 1/16W J
C552	NCF31CZ-224X	C CAPACITOR	0.22uF 16V Z	R239	NRSA63J-101X	MG RESISTOR	100Ω 1/16W J
C553	QETN1EM-476Z	E CAPACITOR	47uF 25V M	R240	NRSA63J-101X	MG RESISTOR	100Ω 1/16W J
C554	NCF31CZ-224X	C CAPACITOR	0.22uF 16V Z	R241	NRSA63J-101X	MG RESISTOR	100Ω 1/16W J
C555	NCF31CZ-224X	C CAPACITOR	0.22uF 16V Z	R242	NRSA63J-101X	MG RESISTOR	100Ω 1/16W J
C601	QENC1HM-105Z	BP E CAPACITOR	1uF 50V M	R243	NRSA63J-101X	MG RESISTOR	100Ω 1/16W J
C602	QENC1HM-105Z	BP E CAPACITOR	1uF 50V M	R244	NRSA63J-101X	MG RESISTOR	100Ω 1/16W J
C603	QETN1CM-107Z	E CAPACITOR	100uF 16V M	R245	NRSA63J-101X	MG RESISTOR	100Ω 1/16W J
C604	NCB31HK-153X	C CAPACITOR	0.015uF 50V K	R246	NRSA63J-101X	MG RESISTOR	100Ω 1/16W J
C605	NCB31HK-222X	C CAPACITOR	2200pF 50V K	R247	NRSA63J-101X	MG RESISTOR	100Ω 1/16W J
C606	NCB31HK-153X	C CAPACITOR	0.015uF 50V K	R248	NRSA63J-333X	MG RESISTOR	33kΩ 1/16W J
C607	NCB31HK-222X	C CAPACITOR	2200pF 50V K	R249	NRSA63J-101X	MG RESISTOR	100Ω 1/16W J
C608	NCB31HK-223X	C CAPACITOR	0.022uF 50V K	R250	NRSA63J-333X	MG RESISTOR	33kΩ 1/16W J
C609	NCB31HK-223X	C CAPACITOR	0.022uF 50V K	R251	NRSA63J-473X	MG RESISTOR	47kΩ 1/16W J
C610	QENC1HM-105Z	BP E CAPACITOR	1uF 50V M	R252	NRSA63J-103X	MG RESISTOR	10kΩ 1/16W J
C611	QENC1HM-105Z	BP E CAPACITOR	1uF 50V M	R253	NRSA63J-823X	MG RESISTOR	82kΩ 1/16W J
C623	QETN1EM-108Z	E CAPACITOR	1000uF 25V M	R254	NRSA63J-223X	MG RESISTOR	22kΩ 1/16W J
C641	NCB31HK-103X	C CAPACITOR	0.01uF 50V K	R255	NRSA63J-153X	MG RESISTOR	15kΩ 1/16W J
C642	NCB31HK-103X	C CAPACITOR	0.01uF 50V K	R256	NRSA63J-473X	MG RESISTOR	47kΩ 1/16W J
C650	QETN1CM-107Z	E CAPACITOR	100uF 16V M	R257	NRSA63J-273X	MG RESISTOR	27kΩ 1/16W J
C651	QETN1HM-106Z	E CAPACITOR	10uF 50V M	R258	NRSA63J-823X	MG RESISTOR	82kΩ 1/16W J
C652	QETN1HM-106Z	E CAPACITOR	10uF 50V M	R259	NRSA63J-823X	MG RESISTOR	82kΩ 1/16W J
C654	QETN1HM-107Z	E CAPACITOR	100uF 50V M	R260	NRSA63J-104X	MG RESISTOR	100kΩ 1/16W J
C657	QETM1VM-228	E CAPACITOR	2200uF 35V M	R261	NRSA63J-391X	MG RESISTOR	390Ω 1/16W J
C663	QETN1EM-108Z	E CAPACITOR	1000uF 25V M	R262	NRSA63J-391X	MG RESISTOR	390Ω 1/16W J
C664	QETN1EM-108Z	E CAPACITOR	1000uF 25V M	R263	NRSA63J-104X	MG RESISTOR	100kΩ 1/16W J
C665	QETN1HM-106Z	E CAPACITOR	10uF 50V M	R264	NRSA63J-101X	MG RESISTOR	100Ω 1/16W J
C666	QETN1HM-106Z	E CAPACITOR	10uF 50V M	R265	NRSA63J-101X	MG RESISTOR	100Ω 1/16W J
C701	NCB31HK-104X	C CAPACITOR	0.1uF 50V K	R266	NRSA63J-101X	MG RESISTOR	100Ω 1/16W J
C702	NCB31CK-104X	C CAPACITOR	0.1uF 16V K	R267	NRSA63J-101X	MG RESISTOR	100Ω 1/16W J
C901	QETN1CM-107Z	E CAPACITOR	100uF 16V M	R268	NRSA63J-101X	MG RESISTOR	100Ω 1/16W J
C902	NCB31CK-104X	C CAPACITOR	0.1uF 16V K	R269	NRSA63J-101X	MG RESISTOR	100Ω 1/16W J
C903	QETN1CM-107Z	E CAPACITOR	100uF 16V M	R270	NRSA63J-101X	MG RESISTOR	100Ω 1/16W J
C904	NCF31AZ-105X	C CAPACITOR	1uF 10V Z	R271	NRSA63J-333X	MG RESISTOR	33kΩ 1/16W J
C905	QETN1HM-106Z	E CAPACITOR	10uF 50V M	R272	NRSA63J-333X	MG RESISTOR	33kΩ 1/16W J
C906	NCF31AZ-105X	C CAPACITOR	1uF 10V Z	R273	NRSA63J-222X	MG RESISTOR	2.2kΩ 1/16W J
C907	NDC31HJ-471X	C CAPACITOR	470pF 50V J	R274	NRSA63J-222X	MG RESISTOR	2.2kΩ 1/16W J
				R275	NRSA63J-391X	MG RESISTOR	390Ω 1/16W J
R002	NRSA63J-101X	MG RESISTOR	100Ω 1/16W J	R276	NRSA63J-391X	MG RESISTOR	390Ω 1/16W J
R003	NRSA63J-101X	MG RESISTOR	100Ω 1/16W J	R277	NRSA63J-101X	MG RESISTOR	100Ω 1/16W J
R004	NRSA63J-101X	MG RESISTOR	100Ω 1/16W J	R278	NRSA63J-222X	MG RESISTOR	2.2kΩ 1/16W J
R005	NRSA63J-101X	MG RESISTOR	100Ω 1/16W J	R279	NRSA63J-562X	MG RESISTOR	5.6kΩ 1/16W J
R006	NRSA63J-0R0X	MG RESISTOR	0Ω 1/16W J	R280	NRSA63J-562X	MG RESISTOR	5.6kΩ 1/16W J
R007	NRSA63J-222X	MG RESISTOR	2.2kΩ 1/16W J	R281	NRSA63J-102X	MG RESISTOR	1kΩ 1/16W J
R008	NRSA63J-102X	MG RESISTOR	1kΩ 1/16W J	R282	NRSA63J-102X	MG RESISTOR	1kΩ 1/16W J
R009	NRSA63J-681X	MG RESISTOR	680Ω 1/16W J	R283	QRG01GJ-101	OMF RESISTOR	100Ω 1W J
R010	NRSA63J-331X	MG RESISTOR	330Ω 1/16W J	R284	QRK126J-181X	UNF C RESISTOR	180Ω 1/2W J
R011	NRSA63J-102X	MG RESISTOR	1kΩ 1/16W J	R285	NRSA63J-101X	MG RESISTOR	100Ω 1/16W J
R101	NRSA63J-101X	MG RESISTOR	100Ω 1/16W J	R286	NRSA63J-101X	MG RESISTOR	100Ω 1/16W J
R102	NRSA63J-101X	MG RESISTOR	100Ω 1/16W J	R287	QRK126J-151X	UNF C RESISTOR	150Ω 1/2W J
R105	NRSA63J-103X	MG RESISTOR	10kΩ 1/16W J	R288	NRSA63J-750X	MG RESISTOR	75Ω 1/16W J
R201	NRSA63J-103X	MG RESISTOR	10kΩ 1/16W J	R289	NRSA63J-101X	MG RESISTOR	100Ω 1/16W J
R202	NRSA63J-103X	MG RESISTOR	10kΩ 1/16W J	R290	NRSA63J-101X	MG RESISTOR	100Ω 1/16W J
R203	NRSA63J-223X	MG RESISTOR	22kΩ 1/16W J	R291	NRSA63J-750X	MG RESISTOR	75Ω 1/16W J
R204	NRSA63J-223X	MG RESISTOR	22kΩ 1/16W J	R311	QRK126J-391X	UNF C RESISTOR	390Ω 1/2W J
R205	NRSA63J-750X	MG RESISTOR	75Ω 1/16W J	R312	NRSA63J-680X	MG RESISTOR	68Ω 1/16W J
R206	NRSA63J-750X	MG RESISTOR	75Ω 1/16W J	R313	QRK126J-391X	UNF C RESISTOR	390Ω 1/2W J
R208	NRSA63J-222X	MG RESISTOR	2.2kΩ 1/16W J	R314	NRSA63J-223X	MG RESISTOR	22kΩ 1/16W J
R209	NRSA63J-222X	MG RESISTOR	2.2kΩ 1/16W J	R315	NRSA63J-680X	MG RESISTOR	68Ω 1/16W J
R210	NRSA63J-333X	MG RESISTOR	33kΩ 1/16W J	R501	NRSA63J-223X	MG RESISTOR	22kΩ 1/16W J
R211	NRSA63J-333X	MG RESISTOR	33kΩ 1/16W J	R502	NRSA63J-123X	MG RESISTOR	12kΩ 1/16W J
R212	NRSA63J-101X	MG RESISTOR	100Ω 1/16W J	R503	NRSA63J-123X	MG RESISTOR	12kΩ 1/16W J
R213	NRSA63J-101X	MG RESISTOR	100Ω 1/16W J	R504	NRSA63J-123X	MG RESISTOR	12kΩ 1/16W J
R214	NRSA63J-101X	MG RESISTOR	100Ω 1/16W J	R505	NRSA63J-124X	MG RESISTOR	120kΩ 1/16W J
R215	NRSA63J-222X	MG RESISTOR	2.2kΩ 1/16W J	R506	NRSA63J-272X	MG RESISTOR	2.7kΩ 1/16W J
R216	NRSA63J-333X	MG RESISTOR	33kΩ 1/16W J	R507	NRSA63J-273X	MG RESISTOR	27kΩ 1/16W J
R217	NRSA63J-222X	MG RESISTOR	2.2kΩ 1/16W J	R509	NRSA63J-123X	MG RESISTOR	12kΩ 1/16W J
R218	NRSA63J-333X	MG RESISTOR	33kΩ 1/16W J	R510	NRSA63J-563X	MG RESISTOR	56kΩ 1/16W J
R219	NRSA63J-103X	MG RESISTOR	10kΩ 1/16W J	R511	NRSA63J-682X	MG RESISTOR	6.8kΩ 1/16W J
R220	NRSA63J-473X	MG RESISTOR	47kΩ 1/16W J	R512	NRSA63J-153X	MG RESISTOR	15kΩ 1/16W J
R221	NRSA63J-823X	MG RESISTOR	82kΩ 1/16W J	R513	NRSA63J-332X	MG RESISTOR	3.3kΩ 1/16W J
R222	NRSA63J-153X	MG RESISTOR	15kΩ 1/16W J	R514	NRSA63J-682X	MG RESISTOR	6.8kΩ 1/16W J
R223	NRSA63J-473X	MG RESISTOR	47kΩ 1/16W J	R515	NRSA63J-333X	MG RESISTOR	33kΩ 1/16W J
R224	NRSA63J-273X	MG RESISTOR	27kΩ 1/16W J	R516	NRSA63J-123X	MG RESISTOR	12kΩ 1/16W J
R225	NRSA63J-333X	MG RESISTOR	33kΩ 1/16W J	R517	NRSA63J-123X	MG RESISTOR	12kΩ 1/16W J
R226	NRSA63J-473X	MG RESISTOR	47kΩ 1/16W J	R518	NRSA63J-153X	MG RESISTOR	15kΩ 1/16W J
R227	NRSA63J-823X	MG RESISTOR	82kΩ 1/16W J	R519	NRSA63J-472X	MG RESISTOR	4.7kΩ 1/16W J
R228	NRSA63J-103X	MG RESISTOR	10kΩ 1/16W J	R520	NRSA63J-333X	MG RESISTOR	33kΩ 1/16W J
R229	NRSA63J-153X	MG RESISTOR	15kΩ 1/16W J	R521	NRSA63J-473X	MG RESISTOR	47kΩ 1/16W J
R230	NRSA63J-473X	MG RESISTOR	47kΩ 1/16W J	R522	NRSA63J-103X	MG RESISTOR	10kΩ 1/16W J

△Ref No.	Part No.	Part Name	Description Local	△Ref No.	Part No.	Part Name	Description Local
R523	NRSA63J-224X	MG RESISTOR	220kΩ 1/16W J	CN005	QGB1506L1-16	CONNECTOR	B-B (1-16)
R524	NRSA63J-224X	MG RESISTOR	220kΩ 1/16W J	CN00B	QJK002-042214	SIN CR C-B WIRE	
R525	NRSA63J-223X	MG RESISTOR	22kΩ 1/16W J	CN00F	QGA2501C1-12	CONNECTOR	W-B (1-12)
R526	NRSA63J-683X	MG RESISTOR	68kΩ 1/16W J	CN00K	QGA2501C5-05Z	CONNECTOR	W-B (1-5)
R527	NRSA63J-563X	MG RESISTOR	56kΩ 1/16W J	CN00R	QGA2501C1-10	CONNECTOR	W-B (1-10)
R528	NRSA63J-472X	MG RESISTOR	4.7kΩ 1/16W J	CN0C1	QGA2501F1-06	CONNECTOR	W-B (1-6)
R529	NRSA63J-823X	MG RESISTOR	82kΩ 1/16W J	CN0RT	QGA2501C5-03Z	CONNECTOR	W-B (1-3)
R530	NRSA63J-154X	MG RESISTOR	150kΩ 1/16W J	CN0SL	QGA2501C5-04Z	CONNECTOR	W-B (1-4)
R531	NRSA63J-472X	MG RESISTOR	4.7kΩ 1/16W J	CN0SR	QGA2501C5-03Z	CONNECTOR	W-B (1-3)
R532	NRSA63J-123X	MG RESISTOR	12kΩ 1/16W J	HS651	LC30145-003A	HEAT SINK/AL-F/	
R533	NRSA63J-272X	MG RESISTOR	2.7kΩ 1/16W J	J001	QNN0296-001	PIN JACK	AUDIO OUT
R534	NRSA63J-682X	MG RESISTOR	6.8kΩ 1/16W J	K101	NQR0389-003X	FERRITE BEADS	
R535	NRSA63J-563X	MG RESISTOR	56kΩ 1/16W J	K102	NQR0389-003X	FERRITE BEADS	
R536	NRSA63J-224X	MG RESISTOR	220kΩ 1/16W J	K641	NQR0199-001X	FERRITE BEADS	
R537	NRSA63J-123X	MG RESISTOR	12kΩ 1/16W J	K642	NQR0199-001X	FERRITE BEADS	
R538	NRSA63J-182X	MG RESISTOR	1.8kΩ 1/16W J	LC101	NQR0431-001X	EMI FILTER	0.22uF 50V Z
R539	NRSA63J-332X	MG RESISTOR	3.3kΩ 1/16W J	TU001	QAU0276-001	TUNER	
R551	NRSA63J-124X	MG RESISTOR	120kΩ 1/16W J	W101	NRSA63J-OR0X	MG RESISTOR	0Ω 1/16W J
R552	NRSA63J-100X	MG RESISTOR	10Ω 1/16W J	W102	NRSA63J-OR0X	MG RESISTOR	0Ω 1/16W J
R553	NRSA63J-683X	MG RESISTOR	68kΩ 1/16W J	W103	NRSA63J-OR0X	MG RESISTOR	0Ω 1/16W J
R554	NRSA63J-562X	MG RESISTOR	5.6kΩ 1/16W J	W104	NRSA63J-OR0X	MG RESISTOR	0Ω 1/16W J
R555	NRSA63J-154X	MG RESISTOR	150kΩ 1/16W J	W108	NRSA63J-OR0X	MG RESISTOR	0Ω 1/16W J
R556	NRSA63J-104X	MG RESISTOR	100kΩ 1/16W J	W109	NRSA63J-OR0X	MG RESISTOR	0Ω 1/16W J
R557	NRSA63J-100X	MG RESISTOR	10Ω 1/16W J	X101	CE42546-001Z	X TAL	
R558	NRSA63J-562X	MG RESISTOR	5.6kΩ 1/16W J	Y004	NRSA63J-OR0X	MG RESISTOR	0Ω 1/16W J
R559	NRSA63J-333X	MG RESISTOR	33kΩ 1/16W J	Y603	NRSA63J-OR0X	MG RESISTOR	0Ω 1/16W J
R560	NRSA63J-472X	MG RESISTOR	4.7kΩ 1/16W J				
R601	NRSA63J-333X	MG RESISTOR	33kΩ 1/16W J				
R602	NRSA63J-333X	MG RESISTOR	33kΩ 1/16W J				
R603	NRSA63J-103X	MG RESISTOR	10kΩ 1/16W J				
R604	NRSA63J-332X	MG RESISTOR	3.3kΩ 1/16W J				
R605	NRSA63J-102X	MG RESISTOR	1kΩ 1/16W J				
R606	NRSA63J-102X	MG RESISTOR	1kΩ 1/16W J				
R607	NRSA63J-332X	MG RESISTOR	3.3kΩ 1/16W J				
R608	NRSA63J-332X	MG RESISTOR	3.3kΩ 1/16W J				
R609	NRSA63J-332X	MG RESISTOR	3.3kΩ 1/16W J				
R610	NRSA63J-101X	MG RESISTOR	100Ω 1/16W J				
R611	NRSA63J-101X	MG RESISTOR	100Ω 1/16W J				
R612	NRSA63J-221X	MG RESISTOR	220Ω 1/16W J				
R613	NRSA63J-221X	MG RESISTOR	220Ω 1/16W J				
R621	NRSA63J-104X	MG RESISTOR	100kΩ 1/16W J				
R622	NRSA63J-104X	MG RESISTOR	100kΩ 1/16W J				
R623	NRSA63J-223X	MG RESISTOR	22kΩ 1/16W J				
R624	NRSA63J-223X	MG RESISTOR	22kΩ 1/16W J				
R626	NRSA63J-103X	MG RESISTOR	10kΩ 1/16W J				
R627	NRSA63J-822X	MG RESISTOR	8.2kΩ 1/16W J				
R628	NRSA63J-473X	MG RESISTOR	47kΩ 1/16W J				
R629	NRSA63J-103X	MG RESISTOR	10kΩ 1/16W J				
R630	NRSA63J-822X	MG RESISTOR	8.2kΩ 1/16W J				
R631	NRSA63J-473X	MG RESISTOR	47kΩ 1/16W J				
R632	NRSA63J-822X	MG RESISTOR	8.2kΩ 1/16W J				
R635	NRSA63J-822X	MG RESISTOR	8.2kΩ 1/16W J				
R637	NRSA63J-473X	MG RESISTOR	47kΩ 1/16W J				
R638	NRSA63J-273X	MG RESISTOR	27kΩ 1/16W J				
R641	NRSA63J-104X	MG RESISTOR	100kΩ 1/16W J				
R642	NRSA63J-681X	MG RESISTOR	680Ω 1/16W J				
R643	NRSA63J-681X	MG RESISTOR	680Ω 1/16W J				
R644	NRSA63J-103X	MG RESISTOR	10kΩ 1/16W J				
R645	NRSA63J-103X	MG RESISTOR	10kΩ 1/16W J				
R650	NRSA63J-103X	MG RESISTOR	10kΩ 1/16W J				
R651	NRSA63J-473X	MG RESISTOR	47kΩ 1/16W J				
R652	NRSA63J-473X	MG RESISTOR	47kΩ 1/16W J				
R653	NRSA63J-104X	MG RESISTOR	100kΩ 1/16W J				
R654	NRSA63J-104X	MG RESISTOR	100kΩ 1/16W J				
R655	NRSA63J-103X	MG RESISTOR	10kΩ 1/16W J				
R657	NRSA63J-103X	MG RESISTOR	10kΩ 1/16W J				
R661	NRSA63J-183X	MG RESISTOR	18kΩ 1/16W J				
R702	NRSA63J-221X	MG RESISTOR	220Ω 1/16W J				
R703	NRSA63J-221X	MG RESISTOR	220Ω 1/16W J				
R704	NRSA63J-221X	MG RESISTOR	220Ω 1/16W J				
R705	NRSA63J-221X	MG RESISTOR	220Ω 1/16W J				
R706	NRSA63J-101X	MG RESISTOR	100Ω 1/16W J				
R707	NRSA63J-101X	MG RESISTOR	100Ω 1/16W J				
R708	NRSA63J-OR0X	MG RESISTOR	0Ω 1/16W J				
R709	NRSA63J-222X	MG RESISTOR	2.2kΩ 1/16W J				
R710	NRSA63J-104X	MG RESISTOR	100kΩ 1/16W J				
L001	QQL244K-270Z	COIL	27uH K				
L002	QQL244K-100Z	COIL	10uH K				
L003	QQL244K-100Z	COIL	10uH K				
L101	QRN143J-OR0X	C RESISTOR	0Ω 1/4W J				
L102	QQL244K-4R7Z	COIL	4.7uH K				
CN001	QGB1505J1-35	CONNECTOR	B-B (1-35)				
CN002	QGC2507C1-96	CONNECTOR	(1-96)				
CN003	QGB1506L1-16	CONNECTOR	B-B (1-16)				
CN004	QGB1506L1-16	CONNECTOR	B-B (1-16)				
				D201	MA3120/M-X	Z DIODE	

**[AV-32X35HKE / AV-32X37HKE]  
 MAIN PW BOARD ASS'Y (SML-1901A-U2)**

△Ref No.	Part No.	Part Name	Description Local
IC101	MSP3413G-QA-B3	IC	
IC201	CXA2089Q-X	IC	
IC501	BA10324AF-XE	IC	
IC551	LA6515	IC	
IC601	BA4558F-X	IC	
IC651	AN5277	IC	
IC701	AT24LC-28X37HKE	IC	(SERVICE)
IC901	AN78L08-T	IC	
IC902	MM1565AF-X	IC	
Q002	2SD601A/QR/-X	TRANSISTOR	
Q101	UN2213-X	DIGI TRANSISTOR	
Q201	2SD601A/QR/-X	TRANSISTOR	
Q202	2SD601A/QR/-X	TRANSISTOR	
Q203	2SD601A/QR/-X	TRANSISTOR	
Q204	2SD601A/QR/-X	TRANSISTOR	
Q205	2SD601A/QR/-X	TRANSISTOR	
Q206	2SD601A/QR/-X	TRANSISTOR	
Q207	DTC323TK-X	DIGI TRANSISTOR	
Q208	2SD601A/QR/-X	TRANSISTOR	
Q209	2SD601A/QR/-X	TRANSISTOR	
Q210	2SB709A/QR/-X	TRANSISTOR	
Q211	DTC323TK-X	DIGI TRANSISTOR	
Q212	2SB709A/QR/-X	TRANSISTOR	
Q213	DTC323TK-X	DIGI TRANSISTOR	
Q214	DTC323TK-X	DIGI TRANSISTOR	
Q215	2SA933AS/QR/-T	TRANSISTOR	
Q216	2SD601A/QR/-X	TRANSISTOR	
Q217	2SC1740S/QR/-T	TRANSISTOR	
Q305	2SC1740S/QR/-T	TRANSISTOR	
Q501	2SD601A/QR/-X	TRANSISTOR	
Q502	2SD601A/QR/-X	TRANSISTOR	
Q503	2SD601A/QR/-X	TRANSISTOR	
Q504	2SD601A/QR/-X	TRANSISTOR	
Q621	2SB709A/QR/-X	TRANSISTOR	
Q622	2SB709A/QR/-X	TRANSISTOR	
Q623	UN2213-X	DIGI TRANSISTOR	
Q624	UN2213-X	DIGI TRANSISTOR	
Q625	UN2213-X	DIGI TRANSISTOR	
Q626	UN2213-X	DIGI TRANSISTOR	
Q627	2SD601A/QR/-X	TRANSISTOR	
Q628	UN2213-X	DIGI TRANSISTOR	
Q629	2SD601A/QR/-X	TRANSISTOR	
Q632	2SB709A/QR/-X	TRANSISTOR	
Q641	2SB709A/QR/-X	TRANSISTOR	
Q642	DTC323TK-X	DIGI TRANSISTOR	
Q643	DTC323TK-X	DIGI TRANSISTOR	
Q701	2SB709A/QR/-X	TRANSISTOR	
Q702	2SD601A/QR/-X	TRANSISTOR	

ΔRef No.	Part No.	Part Name	Description Local	ΔRef No.	Part No.	Part Name	Description Local
D202	MA3120/M/-X	Z DIODE		C226	QETN1HM-106Z	E CAPACITOR	10uF 50V M
D203	MA3120/M/-X	Z DIODE		C227	QETN1HM-106Z	E CAPACITOR	10uF 50V M
D204	MA3120/M/-X	Z DIODE		C228	NCB31HK-103X	C CAPACITOR	0.01uF 50V K
D205	MA3120/M/-X	Z DIODE		C229	QETN1HM-106Z	E CAPACITOR	10uF 50V M
D206	MA3120/M/-X	Z DIODE		C230	QENC1EM-106Z	BP E CAPACITOR	10uF 25V M
D207	MA3120/M/-X	Z DIODE		C231	QENC1EM-106Z	BP E CAPACITOR	10uF 25V M
D208	MA3120/M/-X	Z DIODE		C232	QETN1CM-107Z	E CAPACITOR	100uF 16V M
D209	MA3120/M/-X	Z DIODE		C233	QETN1CM-107Z	E CAPACITOR	100uF 16V M
D501	MA111-X	SI DIODE		C234	NCB31HK-103X	C CAPACITOR	0.01uF 50V K
D502	MA111-X	SI DIODE		C235	QETN1CM-107Z	E CAPACITOR	100uF 16V M
D503	MA111-X	SI DIODE		C236	QETN1CM-477Z	E CAPACITOR	470uF 16V M
D504	MA111-X	SI DIODE		C237	NCF31AZ-105X	C CAPACITOR	1uF 10V Z
D621	MA111-X	SI DIODE		C238	NCF31AZ-105X	C CAPACITOR	1uF 10V Z
D622	MA111-X	SI DIODE		C239	QETN1CM-477Z	E CAPACITOR	470uF 16V M
D623	MA111-X	SI DIODE		C303	QETN1HM-106Z	E CAPACITOR	10uF 50V M
D624	MA111-X	SI DIODE		C304	NCB31HK-103X	C CAPACITOR	0.01uF 50V K
D625	MA111-X	SI DIODE		C308	NCB31CK-224X	C CAPACITOR	0.22uF 16V K
D626	MA111-X	SI DIODE		C309	NCB31HK-102X	C CAPACITOR	1000pF 50V K
D627	MA111-X	SI DIODE		C310	NCB31CK-224X	C CAPACITOR	0.22uF 16V K
D628	MA111-X	SI DIODE		C503	NDC31HJ-102X	C CAPACITOR	1000pF 50V J
D629	MA111-X	SI DIODE		C504	NCB31CK-104X	C CAPACITOR	0.1uF 16V K
D630	MA111-X	SI DIODE		C506	NCB31CK-104X	C CAPACITOR	0.1uF 16V K
D631	MA111-X	SI DIODE		C507	NCB31CK-104X	C CAPACITOR	0.1uF 16V K
D633	MA111-X	SI DIODE		C508	QETN1CM-107Z	E CAPACITOR	100uF 16V M
D651	MA3330/L/-X	Z DIODE		C509	NCB31CK-104X	C CAPACITOR	0.1uF 16V K
D652	MA3330/L/-X	Z DIODE		C510	NCB31EK-333X	C CAPACITOR	0.033uF 25V K
D653	MA3330/L/-X	Z DIODE		C511	NCB31HK-682X	C CAPACITOR	6800pF 50V K
D701	MA3056/M/-X	Z DIODE		C513	NDC31HJ-150X	C CAPACITOR	15pF 50V J
D702	MA3056/M/-X	Z DIODE		C515	NCB31HK-103X	C CAPACITOR	0.01uF 50V K
D703	MA3056/M/-X	Z DIODE		C551	NCF31CZ-224X	C CAPACITOR	0.22uF 16V Z
D704	MA3056/M/-X	Z DIODE		C552	NCF31CZ-224X	C CAPACITOR	0.22uF 16V Z
D705	MA111-X	SI DIODE		C553	QETN1EM-476Z	E CAPACITOR	47uF 25V M
D981	MA111-X	SI DIODE		C554	NCF31CZ-224X	C CAPACITOR	0.22uF 16V Z
D982	MA111-X	SI DIODE		C555	NCF31CZ-224X	C CAPACITOR	0.22uF 16V Z
C001	NCB31HK-222X	C CAPACITOR	2200pF 50V K	C601	QENC1HM-105Z	BP E CAPACITOR	1uF 50V M
C002	QETN1HM-106Z	E CAPACITOR	10uF 50V M	C602	QENC1HM-105Z	BP E CAPACITOR	1uF 50V M
C004	NCB31CK-104X	C CAPACITOR	0.1uF 16V K	C603	QETN1CM-107Z	E CAPACITOR	100uF 16V M
C005	QETN1CM-108Z	E CAPACITOR	1000uF 16V M	C604	NCB31HK-153X	C CAPACITOR	0.015uF 50V K
C006	NCB31HK-103X	C CAPACITOR	0.01uF 50V K	C605	NCB31HK-222X	C CAPACITOR	2200pF 50V K
C007	QETN1HM-106Z	E CAPACITOR	10uF 50V M	C606	NCB31HK-153X	C CAPACITOR	0.015uF 50V K
C008	NCB31CK-104X	C CAPACITOR	0.1uF 16V K	C607	NCB31HK-222X	C CAPACITOR	2200pF 50V K
C009	QETN1HM-106Z	E CAPACITOR	10uF 50V M	C608	NCB31HK-223X	C CAPACITOR	0.022uF 50V K
C011	QETN1HM-106Z	E CAPACITOR	10uF 50V M	C609	NCB31HK-223X	C CAPACITOR	0.022uF 50V K
C012	NCB31HK-103X	C CAPACITOR	0.01uF 50V K	C610	QENC1HM-105Z	BP E CAPACITOR	1uF 50V M
C013	NCB31HK-103X	C CAPACITOR	0.01uF 50V K	C611	QENC1HM-105Z	BP E CAPACITOR	1uF 50V M
C101	NCB31CK-104X	C CAPACITOR	0.1uF 16V K	C623	QETN1EM-108Z	E CAPACITOR	1000uF 25V M
C102	QETN1HM-106Z	E CAPACITOR	10uF 50V M	C641	NCB31HK-103X	C CAPACITOR	0.01uF 50V K
C103	NCB31CK-104X	C CAPACITOR	0.1uF 16V K	C642	NCB31HK-103X	C CAPACITOR	0.01uF 50V K
C104	QETN1CM-107Z	E CAPACITOR	100uF 16V M	C650	QETN1CM-107Z	E CAPACITOR	100uF 16V M
C105	QETN1HM-106Z	E CAPACITOR	10uF 50V M	C651	QETN1HM-106Z	E CAPACITOR	10uF 50V M
C106	NCB31CK-104X	C CAPACITOR	0.1uF 16V K	C652	QETN1HM-106Z	E CAPACITOR	10uF 50V M
C117	NCB31HK-103X	C CAPACITOR	0.01uF 50V K	C654	QETN1HM-107Z	E CAPACITOR	100uF 50V M
C118	NCB31HK-103X	C CAPACITOR	0.01uF 50V K	C657	QETM1VM-228	E CAPACITOR	2200uF 35V M
C119	NDC31HJ-2R0X	C CAPACITOR	2pF 50V J	C663	QETN1EM-108Z	E CAPACITOR	1000uF 25V M
C120	NDC31HJ-2R0X	C CAPACITOR	2pF 50V J	C664	QETN1EM-108Z	E CAPACITOR	1000uF 25V M
C121	NCB31HK-103X	C CAPACITOR	0.01uF 50V K	C665	QETN1HM-106Z	E CAPACITOR	10uF 50V M
C122	NDC31HJ-102X	C CAPACITOR	1000pF 50V J	C666	QETN1HM-106Z	E CAPACITOR	10uF 50V M
C123	NDC31HJ-102X	C CAPACITOR	1000pF 50V J	C701	NCB31HK-104X	C CAPACITOR	0.1uF 50V K
C124	QETN1HM-106Z	E CAPACITOR	10uF 50V M	C702	NCB31CK-104X	C CAPACITOR	0.1uF 16V K
C125	QETN1HM-106Z	E CAPACITOR	10uF 50V M	C901	QETN1CM-107Z	E CAPACITOR	100uF 16V M
C126	NCB31CK-104X	C CAPACITOR	0.1uF 16V K	C902	NCB31CK-104X	C CAPACITOR	0.1uF 16V K
C127	QETN1HM-106Z	E CAPACITOR	10uF 50V M	C903	QETN1CM-107Z	E CAPACITOR	100uF 16V M
C128	NCB31CK-104X	C CAPACITOR	0.1uF 16V K	C904	NCF31AZ-105X	C CAPACITOR	1uF 10V Z
C130	NDC31HJ-102X	C CAPACITOR	1000pF 50V J	C905	QETN1HM-106Z	E CAPACITOR	10uF 50V M
C131	NDC31HJ-102X	C CAPACITOR	1000pF 50V J	C906	NCF31AZ-105X	C CAPACITOR	1uF 10V Z
C201	QETN1HM-106Z	E CAPACITOR	10uF 50V M	C907	NDC31HJ-471X	C CAPACITOR	470pF 50V J
C202	QETN1HM-106Z	E CAPACITOR	10uF 50V M	R002	NRSA63J-101X	MG RESISTOR	100Ω 1/16W J
C203	NCB31HK-103X	C CAPACITOR	0.01uF 50V K	R003	NRSA63J-101X	MG RESISTOR	100Ω 1/16W J
C204	NCF31AZ-105X	C CAPACITOR	1uF 10V Z	R006	NRSA63J-472X	MG RESISTOR	4.7kΩ 1/16W J
C205	NCF31AZ-105X	C CAPACITOR	1uF 10V Z	R007	NRSA63J-103X	MG RESISTOR	10kΩ 1/16W J
C206	QETN1HM-106Z	E CAPACITOR	10uF 50V M	R008	NRSA63J-103X	MG RESISTOR	10kΩ 1/16W J
C207	NCF31AZ-105X	C CAPACITOR	1uF 10V Z	R011	NRSA63J-102X	MG RESISTOR	1kΩ 1/16W J
C209	NCF31AZ-105X	C CAPACITOR	1uF 10V Z	R101	NRSA63J-101X	MG RESISTOR	100Ω 1/16W J
C210	NCB31HK-103X	C CAPACITOR	0.01uF 50V K	R102	NRSA63J-101X	MG RESISTOR	100Ω 1/16W J
C211	NCB31HK-102X	C CAPACITOR	1000pF 50V K	R105	NRSA63J-103X	MG RESISTOR	10kΩ 1/16W J
C212	NCB31HK-102X	C CAPACITOR	1000pF 50V K	R201	NRSA63J-103X	MG RESISTOR	10kΩ 1/16W J
C213	NCF31AZ-105X	C CAPACITOR	1uF 10V Z	R202	NRSA63J-103X	MG RESISTOR	10kΩ 1/16W J
C215	QETN1HM-106Z	E CAPACITOR	10uF 50V M	R203	NRSA63J-223X	MG RESISTOR	22kΩ 1/16W J
C216	NCF31AZ-105X	C CAPACITOR	1uF 10V Z	R204	NRSA63J-223X	MG RESISTOR	22kΩ 1/16W J
C219	NCB31HK-102X	C CAPACITOR	1000pF 50V K	R205	NRSA63J-750X	MG RESISTOR	75Ω 1/16W J
C220	QETN1HM-106Z	E CAPACITOR	10uF 50V M	R206	NRSA63J-750X	MG RESISTOR	75Ω 1/16W J
C221	QETN1HM-106Z	E CAPACITOR	10uF 50V M	R208	NRSA63J-222X	MG RESISTOR	2.2kΩ 1/16W J
C222	QETN1HM-106Z	E CAPACITOR	10uF 50V M	R209	NRSA63J-222X	MG RESISTOR	2.2kΩ 1/16W J
C223	NCF31AZ-105X	C CAPACITOR	1uF 10V Z	R210	NRSA63J-333X	MG RESISTOR	33kΩ 1/16W J
C224	NCF31AZ-105X	C CAPACITOR	1uF 10V Z	R211	NRSA63J-333X	MG RESISTOR	33kΩ 1/16W J
C225	NCB31HK-103X	C CAPACITOR	0.01uF 50V K	R212	NRSA63J-101X	MG RESISTOR	100Ω 1/16W J



△Ref No.	Part No.	Part Name	Description	Local	△Ref No.	Part No.	Part Name	Description	Local
R213	NRSA63J-101X	MG RESISTOR	100Ω	1/16W J	R504	NRSA63J-123X	MG RESISTOR	12kΩ	1/16W J
R214	NRSA63J-101X	MG RESISTOR	100Ω	1/16W J	R505	NRSA63J-124X	MG RESISTOR	120kΩ	1/16W J
R215	NRSA63J-222X	MG RESISTOR	2.2kΩ	1/16W J	R506	NRSA63J-272X	MG RESISTOR	2.7kΩ	1/16W J
R216	NRSA63J-333X	MG RESISTOR	33kΩ	1/16W J	R507	NRSA63J-273X	MG RESISTOR	27kΩ	1/16W J
R217	NRSA63J-222X	MG RESISTOR	2.2kΩ	1/16W J	R509	NRSA63J-123X	MG RESISTOR	12kΩ	1/16W J
R218	NRSA63J-333X	MG RESISTOR	33kΩ	1/16W J	R510	NRSA63J-563X	MG RESISTOR	56kΩ	1/16W J
R219	NRSA63J-103X	MG RESISTOR	10kΩ	1/16W J	R511	NRSA63J-682X	MG RESISTOR	6.8kΩ	1/16W J
R220	NRSA63J-473X	MG RESISTOR	47kΩ	1/16W J	R512	NRSA63J-153X	MG RESISTOR	15kΩ	1/16W J
R221	NRSA63J-823X	MG RESISTOR	82kΩ	1/16W J	R513	NRSA63J-332X	MG RESISTOR	3.3kΩ	1/16W J
R222	NRSA63J-153X	MG RESISTOR	15kΩ	1/16W J	R514	NRSA63J-682X	MG RESISTOR	6.8kΩ	1/16W J
R223	NRSA63J-473X	MG RESISTOR	47kΩ	1/16W J	R515	NRSA63J-333X	MG RESISTOR	33kΩ	1/16W J
R224	NRSA63J-273X	MG RESISTOR	27kΩ	1/16W J	R516	NRSA63J-123X	MG RESISTOR	12kΩ	1/16W J
R225	NRSA63J-333X	MG RESISTOR	33kΩ	1/16W J	R517	NRSA63J-123X	MG RESISTOR	12kΩ	1/16W J
R226	NRSA63J-473X	MG RESISTOR	47kΩ	1/16W J	R518	NRSA63J-153X	MG RESISTOR	15kΩ	1/16W J
R227	NRSA63J-823X	MG RESISTOR	82kΩ	1/16W J	R519	NRSA63J-472X	MG RESISTOR	4.7kΩ	1/16W J
R228	NRSA63J-103X	MG RESISTOR	10kΩ	1/16W J	R520	NRSA63J-333X	MG RESISTOR	33kΩ	1/16W J
R229	NRSA63J-153X	MG RESISTOR	15kΩ	1/16W J	R521	NRSA63J-473X	MG RESISTOR	47kΩ	1/16W J
R230	NRSA63J-473X	MG RESISTOR	47kΩ	1/16W J	R522	NRSA63J-103X	MG RESISTOR	10kΩ	1/16W J
R231	NRSA63J-273X	MG RESISTOR	27kΩ	1/16W J	R523	NRSA63J-224X	MG RESISTOR	220kΩ	1/16W J
R232	NRSA63J-823X	MG RESISTOR	82kΩ	1/16W J	R524	NRSA63J-224X	MG RESISTOR	220kΩ	1/16W J
R233	NRSA63J-823X	MG RESISTOR	82kΩ	1/16W J	R525	NRSA63J-223X	MG RESISTOR	22kΩ	1/16W J
R234	NRSA63J-222X	MG RESISTOR	2.2kΩ	1/16W J	R526	NRSA63J-683X	MG RESISTOR	68kΩ	1/16W J
R235	NRSA63J-333X	MG RESISTOR	33kΩ	1/16W J	R527	NRSA63J-563X	MG RESISTOR	56kΩ	1/16W J
R236	NRSA63J-222X	MG RESISTOR	2.2kΩ	1/16W J	R528	NRSA63J-472X	MG RESISTOR	4.7kΩ	1/16W J
R237	NRSA63J-333X	MG RESISTOR	33kΩ	1/16W J	R529	NRSA63J-823X	MG RESISTOR	82kΩ	1/16W J
R238	NRSA63J-101X	MG RESISTOR	100Ω	1/16W J	R530	NRSA63J-154X	MG RESISTOR	150kΩ	1/16W J
R239	NRSA63J-101X	MG RESISTOR	100Ω	1/16W J	R531	NRSA63J-472X	MG RESISTOR	4.7kΩ	1/16W J
R240	NRSA63J-101X	MG RESISTOR	100Ω	1/16W J	R532	NRSA63J-123X	MG RESISTOR	12kΩ	1/16W J
R241	NRSA63J-101X	MG RESISTOR	100Ω	1/16W J	R533	NRSA63J-272X	MG RESISTOR	2.7kΩ	1/16W J
R242	NRSA63J-101X	MG RESISTOR	100Ω	1/16W J	R534	NRSA63J-682X	MG RESISTOR	6.8kΩ	1/16W J
R243	NRSA63J-101X	MG RESISTOR	100Ω	1/16W J	R535	NRSA63J-563X	MG RESISTOR	56kΩ	1/16W J
R244	NRSA63J-101X	MG RESISTOR	100Ω	1/16W J	R536	NRSA63J-224X	MG RESISTOR	220kΩ	1/16W J
R245	NRSA63J-101X	MG RESISTOR	100Ω	1/16W J	R537	NRSA63J-123X	MG RESISTOR	12kΩ	1/16W J
R246	NRSA63J-101X	MG RESISTOR	100Ω	1/16W J	R538	NRSA63J-182X	MG RESISTOR	1.8kΩ	1/16W J
R247	NRSA63J-101X	MG RESISTOR	100Ω	1/16W J	R539	NRSA63J-332X	MG RESISTOR	3.3kΩ	1/16W J
R248	NRSA63J-333X	MG RESISTOR	33kΩ	1/16W J	R551	NRSA63J-124X	MG RESISTOR	120kΩ	1/16W J
R249	NRSA63J-101X	MG RESISTOR	100Ω	1/16W J	R552	NRSA63J-100X	MG RESISTOR	10Ω	1/16W J
R250	NRSA63J-333X	MG RESISTOR	33kΩ	1/16W J	R553	NRSA63J-683X	MG RESISTOR	68kΩ	1/16W J
R251	NRSA63J-473X	MG RESISTOR	47kΩ	1/16W J	R554	NRSA63J-562X	MG RESISTOR	5.6kΩ	1/16W J
R252	NRSA63J-103X	MG RESISTOR	10kΩ	1/16W J	R555	NRSA63J-154X	MG RESISTOR	150kΩ	1/16W J
R253	NRSA63J-823X	MG RESISTOR	82kΩ	1/16W J	R556	NRSA63J-104X	MG RESISTOR	100kΩ	1/16W J
R254	NRSA63J-223X	MG RESISTOR	22kΩ	1/16W J	R557	NRSA63J-100X	MG RESISTOR	10Ω	1/16W J
R255	NRSA63J-153X	MG RESISTOR	15kΩ	1/16W J	R558	NRSA63J-562X	MG RESISTOR	5.6kΩ	1/16W J
R256	NRSA63J-473X	MG RESISTOR	47kΩ	1/16W J	R559	NRSA63J-333X	MG RESISTOR	33kΩ	1/16W J
R257	NRSA63J-273X	MG RESISTOR	27kΩ	1/16W J	R560	NRSA63J-472X	MG RESISTOR	4.7kΩ	1/16W J
R258	NRSA63J-823X	MG RESISTOR	82kΩ	1/16W J	R601	NRSA63J-333X	MG RESISTOR	33kΩ	1/16W J
R259	NRSA63J-823X	MG RESISTOR	82kΩ	1/16W J	R602	NRSA63J-333X	MG RESISTOR	33kΩ	1/16W J
R260	NRSA63J-104X	MG RESISTOR	100kΩ	1/16W J	R603	NRSA63J-103X	MG RESISTOR	10kΩ	1/16W J
R261	NRSA63J-391X	MG RESISTOR	390Ω	1/16W J	R604	NRSA63J-332X	MG RESISTOR	3.3kΩ	1/16W J
R262	NRSA63J-391X	MG RESISTOR	390Ω	1/16W J	R605	NRSA63J-102X	MG RESISTOR	1kΩ	1/16W J
R263	NRSA63J-104X	MG RESISTOR	100kΩ	1/16W J	R606	NRSA63J-102X	MG RESISTOR	1kΩ	1/16W J
R264	NRSA63J-101X	MG RESISTOR	100Ω	1/16W J	R607	NRSA63J-332X	MG RESISTOR	3.3kΩ	1/16W J
R265	NRSA63J-101X	MG RESISTOR	100Ω	1/16W J	R608	NRSA63J-332X	MG RESISTOR	3.3kΩ	1/16W J
R266	NRSA63J-101X	MG RESISTOR	100Ω	1/16W J	R609	NRSA63J-332X	MG RESISTOR	3.3kΩ	1/16W J
R267	NRSA63J-101X	MG RESISTOR	100Ω	1/16W J	R610	NRSA63J-101X	MG RESISTOR	100Ω	1/16W J
R268	NRSA63J-101X	MG RESISTOR	100Ω	1/16W J	R611	NRSA63J-101X	MG RESISTOR	100Ω	1/16W J
R269	NRSA63J-101X	MG RESISTOR	100Ω	1/16W J	R612	NRSA63J-221X	MG RESISTOR	220Ω	1/16W J
R270	NRSA63J-101X	MG RESISTOR	100Ω	1/16W J	R613	NRSA63J-221X	MG RESISTOR	220Ω	1/16W J
R271	NRSA63J-333X	MG RESISTOR	33kΩ	1/16W J	R621	NRSA63J-104X	MG RESISTOR	100kΩ	1/16W J
R272	NRSA63J-333X	MG RESISTOR	33kΩ	1/16W J	R622	NRSA63J-104X	MG RESISTOR	100kΩ	1/16W J
R273	NRSA63J-222X	MG RESISTOR	2.2kΩ	1/16W J	R623	NRSA63J-223X	MG RESISTOR	22kΩ	1/16W J
R274	NRSA63J-222X	MG RESISTOR	2.2kΩ	1/16W J	R624	NRSA63J-223X	MG RESISTOR	22kΩ	1/16W J
R275	NRSA63J-391X	MG RESISTOR	390Ω	1/16W J	R626	NRSA63J-103X	MG RESISTOR	10kΩ	1/16W J
R276	NRSA63J-391X	MG RESISTOR	390Ω	1/16W J	R627	NRSA63J-822X	MG RESISTOR	8.2kΩ	1/16W J
R277	NRSA63J-101X	MG RESISTOR	100Ω	1/16W J	R628	NRSA63J-473X	MG RESISTOR	47kΩ	1/16W J
R278	NRSA63J-222X	MG RESISTOR	2.2kΩ	1/16W J	R629	NRSA63J-103X	MG RESISTOR	10kΩ	1/16W J
R279	NRSA63J-562X	MG RESISTOR	5.6kΩ	1/16W J	R630	NRSA63J-822X	MG RESISTOR	8.2kΩ	1/16W J
R280	NRSA63J-562X	MG RESISTOR	5.6kΩ	1/16W J	R631	NRSA63J-473X	MG RESISTOR	47kΩ	1/16W J
R281	NRSA63J-102X	MG RESISTOR	1kΩ	1/16W J	R632	NRSA63J-822X	MG RESISTOR	8.2kΩ	1/16W J
R282	NRSA63J-102X	MG RESISTOR	1kΩ	1/16W J	R635	NRSA63J-822X	MG RESISTOR	8.2kΩ	1/16W J
R283	QRG01GJ-101	OMF RESISTOR	100Ω	1W J	R637	NRSA63J-473X	MG RESISTOR	47kΩ	1/16W J
R284	QRK126J-181X	UNF C RESISTOR	180Ω	1/2W J	R638	NRSA63J-273X	MG RESISTOR	27kΩ	1/16W J
R285	NRSA63J-101X	MG RESISTOR	100Ω	1/16W J	R641	NRSA63J-104X	MG RESISTOR	100kΩ	1/16W J
R286	NRSA63J-101X	MG RESISTOR	100Ω	1/16W J	R642	NRSA63J-681X	MG RESISTOR	680Ω	1/16W J
R287	QRK126J-151X	UNF C RESISTOR	150Ω	1/2W J	R643	NRSA63J-681X	MG RESISTOR	680Ω	1/16W J
R288	NRSA63J-750X	MG RESISTOR	75Ω	1/16W J	R644	NRSA63J-103X	MG RESISTOR	10kΩ	1/16W J
R289	NRSA63J-101X	MG RESISTOR	100Ω	1/16W J	R645	NRSA63J-103X	MG RESISTOR	10kΩ	1/16W J
R290	NRSA63J-101X	MG RESISTOR	100Ω	1/16W J	R650	NRSA63J-103X	MG RESISTOR	10kΩ	1/16W J
R291	NRSA63J-750X	MG RESISTOR	75Ω	1/16W J	R651	NRSA63J-473X	MG RESISTOR	47kΩ	1/16W J
R311	QRK126J-391X	UNF C RESISTOR	390Ω	1/2W J	R652	NRSA63J-473X	MG RESISTOR	47kΩ	1/16W J
R312	NRSA63J-680X	MG RESISTOR	68Ω	1/16W J	R653	NRSA63J-104X	MG RESISTOR	100kΩ	1/16W J
R313	QRK126J-391X	UNF C RESISTOR	390Ω	1/2W J	R654	NRSA63J-104X	MG RESISTOR	100kΩ	1/16W J
R314	NRSA63J-223X	MG RESISTOR	22kΩ	1/16W J	R655	NRSA63J-103X	MG RESISTOR	10kΩ	1/16W J
R315	NRSA63J-680X	MG RESISTOR	68Ω	1/16W J	R657	NRSA63J-103X	MG RESISTOR	10kΩ	1/16W J
R501	NRSA63J-223X	MG RESISTOR	22kΩ	1/16W J	R661	NRSA63J-183X	MG RESISTOR	18kΩ	1/16W J
R502	NRSA63J-123X	MG RESISTOR	12kΩ	1/16W J	R702	NRSA63J-221X	MG RESISTOR	220Ω	1/16W J
R503	NRSA63J-123X	MG RESISTOR	12kΩ	1/16W J	R703	NRSA63J-221X	MG RESISTOR	220Ω	1/16W J

△Ref No.	Part No.	Part Name	Description Local	△Ref No.	Part No.	Part Name	Description Local
R704	NRSA63J-221X	MG RESISTOR	220Ω 1/16W J	D541	RGP10J-5025-T3	SI DIODE	
R705	NRSA63J-221X	MG RESISTOR	220Ω 1/16W J	D542	MTZJ3.9B-T2	Z DIODE	
R706	NRSA63J-101X	MG RESISTOR	100Ω 1/16W J	D551	RGP10J-5025-T3	SI DIODE	
R707	NRSA63J-101X	MG RESISTOR	100Ω 1/16W J	D552	RGP10J-5025-T3	SI DIODE	
R708	NRSA63J-0R0X	MG RESISTOR	0Ω 1/16W J	D553	RH1S-T3	SI DIODE	
R709	NRSA63J-222X	MG RESISTOR	2.2kΩ 1/16W J	D582	MTZJ7.5B-T2	Z DIODE	
R710	NRSA63J-104X	MG RESISTOR	100kΩ 1/16W J	D583	MTZJ7.5S-T2	Z DIODE	
L001	QQL244K-270Z	COIL	27uH K	D584	RGP10J-5025-T3	SI DIODE	
L002	QQL244K-100Z	COIL	10uH K	D901	D3SB60	BRIDGE DIODE	
L003	QQL244K-100Z	COIL	10uH K	D902	RG1C-LFA1	SI DIODE	
L101	QRN143J-0R0X	C RESISTOR	0Ω 1/4W J	D904	EU2-T2	FR DIODE	
L102	QQL244K-4R7Z	COIL	4.7uH K	D905	1SS133-T2	SI DIODE	
CN001	QGB1505J1-35	CONNECTOR	B-B (1-35)	D906	MTZJ27B-T2	Z DIODE	
CN002	QGC2507C1-96	CONNECTOR	(1-96)	D907	1SS133-T2	SI DIODE	
CN003	QGB1506L1-16	CONNECTOR	B-B (1-16)	D910	MTZJ15B-T2	Z DIODE	
CN004	QGB1506L1-16	CONNECTOR	B-B (1-16)	D911	MTZJ15B-T2	Z DIODE	
CN005	QGB1506L1-16	CONNECTOR	B-B (1-16)	D931	S1WB/A/60-4101	BRIDGE DIODE	
CN00B	QJK002-042214	SIN CR C-B WIRE		D941	1SR124-400A-T2	SI DIODE	
CN00F	QGA2501C1-12	CONNECTOR	W-B (1-12)	D945	1SS133-T2	SI DIODE	
CN00K	QGA2501C5-05Z	CONNECTOR	W-B (1-5)	D951	RU4AM-LFT2	SI DIODE	
CN00R	QGA2501C1-10	CONNECTOR	W-B (1-10)	D952	RU4AM-LFT2	SI DIODE	
CN0C1	QGA2501F1-06	CONNECTOR	W-B (1-6)	D953	RGP10J-5025-T3	SI DIODE	
CN0RT	QGA2501C5-03Z	CONNECTOR	W-B (1-3)	D954	FMX-G12S	SI DIODE	
CN0SL	QGA2501C5-04Z	CONNECTOR	W-B (1-4)	D956	FMX-G12S	SI DIODE	
CN0SR	QGA2501C5-03Z	CONNECTOR	W-B (1-3)	D958	MTZJ33B-T2	Z DIODE	
HS651	LC30145-003A	HEAT SINK/AL-F/		D959	1SS133-T2	SI DIODE	
J001	QNN0296-001	PIN JACK	AUDIO OUT	D981	1SS133-T2	SI DIODE	
K101	NQR0389-003X	FERRITE BEADS		D982	1SS133-T2	SI DIODE	
K102	NQR0389-003X	FERRITE BEADS		D983	1SS133-T2	SI DIODE	
K641	NQR0199-001X	FERRITE BEADS		△PC901	PC123Y22	PHOTO COUPLER	
K642	NQR0199-001X	FERRITE BEADS		C404	QCZ0120-104Z	C CAPACITOR	0.1uF 25V Z
LC101	NQR0431-001X	EMI FILTER	0.22uF 50V Z	C405	QDC31HJ-820Z	C CAPACITOR	82pF 50V J
TU001	QAU0277-001	TUNER		C406	QETM1VM-108	E CAPACITOR	1000uF 35V M
W101	NRSA63J-0R0X	MG RESISTOR	0Ω 1/16W J	C408	QETN1VM-337Z	E CAPACITOR	330uF 35V M
W102	NRSA63J-0R0X	MG RESISTOR	0Ω 1/16W J	C409	QFVF1HJ-474Z	MF CAPACITOR	0.47uF 50V J
W103	NRSA63J-0R0X	MG RESISTOR	0Ω 1/16W J	C410	QFVF1HJ-474Z	MF CAPACITOR	0.47uF 50V J
W104	NRSA63J-0R0X	MG RESISTOR	0Ω 1/16W J	C411	QFLC2AJ-104Z	M CAPACITOR	0.1uF 100V J
W108	NRSA63J-0R0X	MG RESISTOR	0Ω 1/16W J	C414	QCB31HK-682Z	C CAPACITOR	6800pF 50V K
W109	NRSA63J-0R0X	MG RESISTOR	0Ω 1/16W J	C461	QEZO414-226	BP E CAPACITOR	22uF 50V M
X101	CE42546-001Z	X TAL		C462	QFM72DJ-152Z	M CAPACITOR	1500pF 200V J
Y001	NRSA63J-0R0X	MG RESISTOR	0Ω 1/16W J	C463	QFM72DJ-122Z	M CAPACITOR	1200pF 200V J
Y004	NRSA63J-0R0X	MG RESISTOR	0Ω 1/16W J	C464	QCZ0120-104Z	C CAPACITOR	0.1uF 25V Z
Y603	NRSA63J-0R0X	MG RESISTOR	0Ω 1/16W J	C465	QETN1HM-106Z	E CAPACITOR	10uF 50V M

**POWER & DEF PW BOARD ASS'Y (SML-2001A-U2)**

△Ref No.	Part No.	Part Name	Description Local	△Ref No.	Part No.	Part Name	Description Local
IC401	LA78041	IC		C503	QFVF1HJ-224Z	MF CAPACITOR	0.22uF 50V J
IC461	BA10393	IC		C521	QFZ0122-112	MPP CAPACITOR	1100pF 1.8kV H
IC901	STR-F6267S-F7	IC		C522	QFZ0200-123	MPP CAPACITOR	0.012uF 1.5kV H
△IC941	QAL0425-001	POWER TRANSF		C523	QFM72DK-393	M CAPACITOR	0.039uF 200V K
IC951	SE140N	IC		C524	QFP32JJ-183	PP CAPACITOR	0.018uF 630V J
IC961	L7812CP	IC		C526	QFZ0197-204	MPP CAPACITOR	0.2uF 250V J
IC962	L7809CP	IC		C527	QFZ0197-154	MPP CAPACITOR	0.15uF 250V J
Q461	2SK2459N-F54	POWER MOS FET		C529	QFZ0197-154	MPP CAPACITOR	0.15uF 250V J
Q462	KTC3199/YG/-T	TRANSISTOR		C530	QCB32HK-561Z	C CAPACITOR	560pF 500V K
Q463	KTC3199/YG/-T	TRANSISTOR		C531	QFZ0194-534	MPP CAPACITOR	0.53uF 250V J
Q464	KTA1267/YG/-T	TRANSISTOR		C532	QETM2CM-227	E CAPACITOR	220uF 160V M
Q481	DTC124ESA-T	DIGI TRANSISTOR		C533	QETN2EM-475Z	E CAPACITOR	4.7uF 250V M
Q482	KTC3199/YG/-T	TRANSISTOR		C541	QENC1HM-105Z	BP E CAPACITOR	1uF 50V M
Q501	BSN304-T	MOS FET		C551	QCB32HK-152Z	C CAPACITOR	1500pF 500V K
△Q521	2SC5857-LB	POW TRANSISTOR		C552	QETN1CM-108Z	E CAPACITOR	1000uF 16V M
Q581	2SA1208/ST/Z1-T	TRANSISTOR		C553	QCB32HK-152Z	C CAPACITOR	1500pF 500V K
Q582	DTC144ESA-T	DIGI TRANSISTOR		C554	QETN1CM-108Z	E CAPACITOR	1000uF 16V M
Q583	KTC3199/YG/-T	TRANSISTOR		C555	QCB32HK-102Z	C CAPACITOR	1000pF 500V K
Q941	KTC3199/YG/-T	TRANSISTOR		C556	QETN2EM-106Z	E CAPACITOR	10uF 250V M
Q942	KTC3199/YG/-T	TRANSISTOR		C558	QETN1CM-477Z	E CAPACITOR	470uF 16V M
D402	1SR35-400A-T2	SI DIODE		C561	QFLC2AJ-223Z	M CAPACITOR	0.022uF 100V J
D461	RGP10J-5025-T3	SI DIODE		C581	QETN1CM-107Z	E CAPACITOR	100uF 16V M
D462	1SS133-T2	SI DIODE		C582	QETN1EM-476Z	E CAPACITOR	47uF 25V M
D463	1SS133-T2	SI DIODE		C583	QETN2AM-106Z	E CAPACITOR	10uF 100V M
D481	1SS133-T2	SI DIODE		C584	QETN1AM-227Z	E CAPACITOR	220uF 10V M
D501	1SS81-T5	SI DIODE		△C901	QFZ9075-473	MPP CAPACITOR	0.047uF AC275V M
D521	V11CA-C1	SI DIODE		△C902	QFZ9075-104	MPP CAPACITOR	0.1uF AC275V M
D522	FMV-3FU-F1	SI DIODE		△C903	QFZ9075-473	MPP CAPACITOR	0.047uF AC275V M
D523	MTZJ22B-T2	Z DIODE		△C904	QCZ9054-472	C CAPACITOR	4700pF AC250V Z
D524	1SR35-400A-T2	SI DIODE		△C905	QCZ9054-472	C CAPACITOR	4700pF AC250V Z
D525	RGP10J-5025-T3	SI DIODE		△C906	QCZ9054-472	C CAPACITOR	4700pF AC250V Z
				C907	QEZ0199-227	E CAPACITOR	220uF 250V J
				C908	QCB32HK-103	C CAPACITOR	0.01uF 500V K
				C909	QCZ0340-391	C CAPACITOR	390pF 2kV K

△Ref No.	Part No.	Part Name	Description	Local	△Ref No.	Part No.	Part Name	Description	Local
C910	QETN1HM-476Z	E CAPACITOR	47uF 50V M		R911	QRE121J-332Y	C RESISTOR	3.3kΩ 1/2W J	
C911	QCB31HK-102Z	C CAPACITOR	1000pF 50V K		R914	QRM059J-R10	MP RESISTOR	0.1Ω 5W J	
C912	QCZ0340-561	C CAPACITOR	560pF 2KV K		R915	QRE121J-221Y	C RESISTOR	220Ω 1/2W J	
C914	QCB31HK-221Z	C CAPACITOR	220pF 50V K		R916	QRE121J-152Y	C RESISTOR	1.5kΩ 1/2W J	
C915	QFLC1HJ-104Z	M CAPACITOR	0.1uF 50V J		R941	QRE141J-1R0Y	C RESISTOR	1Ω 1/4W J	
C916	QCB32HK-152Z	C CAPACITOR	1500pF 500V K		R942	QRE141J-1R5Y	C RESISTOR	1.5Ω 1/4W J	
△C931	QCZ9054-472	C CAPACITOR	4700pF AC250V Z		R943	QRE141J-1R8Y	C RESISTOR	1.8Ω 1/4W J	
△C932	QCZ9054-472	C CAPACITOR	4700pF AC250V Z		R944	QRE141J-103Y	C RESISTOR	10kΩ 1/4W J	
△C933	QCZ9054-472	C CAPACITOR	4700pF AC250V Z		R945	QRE141J-563Y	C RESISTOR	56kΩ 1/4W J	
C934	QETM2GM-226	E CAPACITOR	22uF 400V M		R946	QRE141J-103Y	C RESISTOR	10kΩ 1/4W J	
C941	QTMN1CM-477Z	E CAPACITOR	470uF 16V M		R951	QRE121J-222Y	C RESISTOR	2.2kΩ 1/2W J	
C942	QETN1AM-337Z	E CAPACITOR	330uF 10V M		R952	QRL039J-223	OMF RESISTOR	22kΩ 3W J	
C951	QEZO203-227	E CAPACITOR	220uF 160V M		R981	QRE141J-153Y	C RESISTOR	15kΩ 1/4W J	
C952	QETN1CM-108Z	E CAPACITOR	1000uF 16V M		R982	QRE141J-102Y	C RESISTOR	1kΩ 1/4W J	
C953	QEHR1CM-227Z	E CAPACITOR	220uF 16V M		△R991	QZR9046-825Z	C RESISTOR	8.2MΩ 1/2W K	
C954	QETM1VM-228	E CAPACITOR	2200uF 35V M		L461	QQR1195-001	CHOKO COIL		
C956	QETN1AM-108Z	E CAPACITOR	1000uF 10V M		L462	QQLZ028-272	COIL	2.7mH	
C957	QETN1AM-477Z	E CAPACITOR	470uF 10V M		L521	QQLZ031-180	COIL	18uH	
C959	QFVF1HJ-684Z	MF CAPACITOR	0.68uF 50V J		L522	QQR1191-001	LINEARITY COIL		
C960	QCZ0325-821	C CAPACITOR	820pF 2KV K		L561	QQLZ028-272	COIL	2.7mH	
△C991	QCZ9079-222	C CAPACITOR	2200pF AC250V M		L901	QQL401K-100Z	COIL	10uH K	
△C993	QCZ9079-471	C CAPACITOR	470pF AC250V K		L902	QQL401K-100Z	COIL	10uH K	
R401	QRE141J-562Y	C RESISTOR	5.6kΩ 1/4W J		L903	QQR1200-001	CHOKO COIL		
R402	QRE141J-562Y	C RESISTOR	5.6kΩ 1/4W J		L941	QQL26AM-4R7Z	COIL	4.7uH M	
R403	QRE141J-222Y	C RESISTOR	2.2kΩ 1/4W J		L942	QQL26AK-220Z	COIL	22uH K	
R404	QRX01GJ-1R0	MF RESISTOR	1Ω 1W J		L951	QQLZ026-460	COIL	46uH ±7%	
R405	QRL029J-151	OMF RESISTOR	150Ω 2W J		T501	QQR1111-001	DRIVE TRANSF		
R406	QRE141J-222Y	C RESISTOR	2.2kΩ 1/4W J		T561	QQR1096-001	DAF TRANSF		
R407	QRX01GJ-1R5	MF RESISTOR	1.5Ω 1W J		△T901	QQS0195-001	SW TRANSF		
R408	QRX01GJ-1R5	MF RESISTOR	1.5Ω 1W J		CN003	QGB1506M1-16	CONNECTOR	B-B (1-16)	
R409	QRE141J-823Y	C RESISTOR	82kΩ 1/4W J		CN004	QGB1506M1-16	CONNECTOR	B-B (1-16)	
R410	QRE141J-103Y	C RESISTOR	10kΩ 1/4W J		CN005	QGB1506M1-16	CONNECTOR	B-B (1-16)	
R461	QRG029J-820	OMF RESISTOR	82Ω 2W J		CN00G	QGA2501C5-06Z	CONNECTOR	W-B (1-6)	
R462	QRE141J-473Y	C RESISTOR	47kΩ 1/4W J		CN00W	QGA7901C1-02	CONNECTOR	W-B (1-2)	
R463	QRE141J-682Y	C RESISTOR	6.8kΩ 1/4W J		CN00X	QGA2501C5-05Z	CONNECTOR	W-B (1-5)	
R464	QRX01GJ-3R3	MF RESISTOR	3.3Ω 1W J		CN0HV	CHC802T-05N-J	LV CONNECTOR		
R468	QRE141J-102Y	C RESISTOR	1kΩ 1/4W J		△CP951	ICP-N75-Y	IC PROTECTOR	2.7A	
R469	QRE141J-272Y	C RESISTOR	2.7kΩ 1/4W J		△CP952	ICP-N75-Y	IC PROTECTOR	2.7A	
R471	QRE141J-391Y	C RESISTOR	390Ω 1/4W J		△CP954	QMFZ034-4R0Z-J1	FUSE	4A 125V	
R472	QRA14CF-1002Y	CMF RESISTOR	10kΩ 1/4W F		HS401	LC30416-002A	HEAT SINK/AL-F/		
R473	QRE141J-473Y	C RESISTOR	47kΩ 1/4W J		HS461	CEHT11B-002QS	HEAT SINK		
R474	QRE141J-103Y	C RESISTOR	10kΩ 1/4W J		HS521	LC31212-001B	HEAT SINK/AL-F/		
R475	QRE141J-102Y	C RESISTOR	1kΩ 1/4W J		HS522	CEHT11B-006QS	HEAT SINK		
R476	QRE141J-102Y	C RESISTOR	1kΩ 1/4W J		HS901	LC30774-001A	HEAT SINK/AL-F/		
R477	QRE141J-563Y	C RESISTOR	56kΩ 1/4W J		HS954	CEHT11B-002QS	HEAT SINK		
R478	QRE141J-333Y	C RESISTOR	33kΩ 1/4W J		HS956	CEHT11B-002QS	HEAT SINK		
R481	QRE141J-274Y	C RESISTOR	270kΩ 1/4W J		K401	QQR0621-002Z	FERRITE BEADS		
R482	QRE141J-103Y	C RESISTOR	10kΩ 1/4W J		K522	CE41832-001	LEAD CORE		
R501	QRE141J-471Y	C RESISTOR	470Ω 1/4W J		K523	CE41832-001	LEAD CORE		
R502	QRE141J-123Y	C RESISTOR	12kΩ 1/4W J		K524	CE41832-001	LEAD CORE		
R503	QRE121J-152Y	C RESISTOR	1.5kΩ 1/2W J		K901	QQR0679-001	FERRITE BEADS		
R504	QRL039J-272	OMF RESISTOR	2.7kΩ 3W J		△LF901	QQR1095-001	LINE FILTER		
R505	QRL039J-272	OMF RESISTOR	2.7kΩ 3W J		△RY941	QSK0099-001	RELAY		
R506	QRE121J-5R6Y	C RESISTOR	5.6Ω 1/2W J		TH901	QAD0133-9R0	P THERMISTOR	9Ω 220V/240V	
R521	QRE121J-471Y	C RESISTOR	470Ω 1/2W J						
R522	QRE141J-223Y	C RESISTOR	22kΩ 1/4W J						
R523	QRE141J-103Y	C RESISTOR	10kΩ 1/4W J						
R524	QRC121K-152Z	COMP RESISTOR	1.5kΩ 1/2W K						
R525	QRL039J-103	OMF RESISTOR	10kΩ 3W J						
R541	QRE141J-182Y	C RESISTOR	1.8kΩ 1/4W J						
R542	QRE141J-222Y	C RESISTOR	2.2kΩ 1/4W J						
R543	QRE121J-272Y	C RESISTOR	2.7kΩ 1/2W J						
△R551	QRZ9022-R47	FUSI RESISTOR	0.47Ω 1W K						
△R552	QRZ9022-R47	FUSI RESISTOR	0.47Ω 1W K						
△R555	QRZ9022-R33	FUSI RESISTOR	0.33Ω 1W K						
R561	QRG01GJ-220	OMF RESISTOR	22Ω 1W J						
R562	QRE121J-123Y	C RESISTOR	12kΩ 1/2W J						
R563	QRZ0056-103Z	COMP RESISTOR	10kΩ 1/2W K						
R581	QRF154K-4R7	UNF WW RESISTOR	4.7Ω 15W K						
R582	QRE141J-681Y	C RESISTOR	680Ω 1/4W J						
R583	QRE121J-682Y	C RESISTOR	6.8kΩ 1/2W J						
R584	QRE141J-183Y	C RESISTOR	18kΩ 1/4W J						
R585	QRE141J-222Y	C RESISTOR	2.2kΩ 1/4W J						
R586	QRA14CF-6201Y	CMF RESISTOR	6.2kΩ 1/4W F						
R587	QRA14CF-2801Y	CMF RESISTOR	2.8kΩ 1/4W F						
R588	QRE141J-103Y	C RESISTOR	10kΩ 1/4W J						
△R591	QRZ9017-4R7	FUSI RESISTOR	4.7Ω 1/4W J						
R901	QRE121J-331Y	C RESISTOR	330Ω 1/2W J						
R902	QRF054K-3R3	UNF WW RESISTOR	3.3Ω 5W K						
R903	QRF104K-3R9	UNF WW RESISTOR	3.9Ω 10W K						
R904	QRL039J-683	OMF RESISTOR	68kΩ 3W J						
R905	QRE121J-474Y	C RESISTOR	470kΩ 1/2W J						
R906	QRE121J-474Y	C RESISTOR	470kΩ 1/2W J						
R908	QRL039J-823	OMF RESISTOR	82kΩ 3W J						
R909	QRL039J-823	OMF RESISTOR	82kΩ 3W J						
R910	QRE121J-100Y	C RESISTOR	10Ω 1/2W J						

**CRT SOCKET PW BOARD ASS'Y (SML-3001A-U2)**

△Ref No.	Part No.	Part Name	Description	Local
IC3201	TDA6111Q	IC		
IC3202	TDA6111Q	IC		
IC3203	TDA6111Q	IC		
Q3104	2SD601A/QR/-X	TRANSISTOR		
Q3105	2SC1627A/OY/-T	TRANSISTOR		
Q3108	2SA1837	POW TRANSISTOR		
Q3109	2SC4793	POW TRANSISTOR		
Q3301	2SB709A/QR/-X	TRANSISTOR		
Q3303	2SB709A/QR/-X	TRANSISTOR		
Q3304	2SD601A/QR/-X	TRANSISTOR		
D3102	MA111-X	SI DIODE		
D3103	RH1S-T3	SI DIODE		
D3104	RH1S-T3	SI DIODE		
D3201	EU01N-T2	SI DIODE		
D3202	EU01N-T2	SI DIODE		
D3203	EU01N-T2	SI DIODE		
D3204	RM2C-LFA1	SI DIODE		
D3205	1SR124-400A-T2	SI DIODE		
D3206	1SR124-400A-T2	SI DIODE		
D3207	1SR124-400A-T2	SI DIODE		

ΔRef No.	Part No.	Part Name	Description	Local	ΔRef No.	Part No.	Part Name	Description	Local
D3208	MA3062/M-X	Z DIODE			R3240	NRSA63J-562X	MG RESISTOR	5.6kΩ	1/16W J
D3209	MA3130/H-X	Z DIODE			R3241	NRSA63J-562X	MG RESISTOR	5.6kΩ	1/16W J
D3210	MA3130/H-X	Z DIODE			R3242	NRSA63J-562X	MG RESISTOR	5.6kΩ	1/16W J
D3301	MA111-X	SI DIODE			R3301	QRE121J-474Y	C RESISTOR	470kΩ	1/2W J
D3302	MA111-X	SI DIODE			R3302	QRE121J-474Y	C RESISTOR	470kΩ	1/2W J
D3303	MA111-X	SI DIODE			R3303	NRSA63J-223X	MG RESISTOR	22kΩ	1/16W J
D3306	MA3036-X	Z DIODE			R3304	NRSA63J-223X	MG RESISTOR	22kΩ	1/16W J
					R3305	NRSA63J-562X	MG RESISTOR	5.6kΩ	1/16W J
C3106	QETN1HM-335Z	E CAPACITOR	3.3uF	50V M	R3306	NRSA63J-392X	MG RESISTOR	3.9kΩ	1/16W J
C3107	QETN1CM-107Z	E CAPACITOR	100uF	16V M	R3308	NRSA63J-471X	MG RESISTOR	470Ω	1/16W J
C3110	QETN2CM-106Z	E CAPACITOR	10uF	160V M	R3310	NRSA63J-0R0X	MG RESISTOR	0Ω	1/16W J
C3111	QCB32HK-472Z	C CAPACITOR	4700pF	500V K	R3311	NRSA63J-101X	MG RESISTOR	100Ω	1/16W J
C3113	QETN2CM-106Z	E CAPACITOR	10uF	160V M	R3312	NRSA63J-120X	MG RESISTOR	12Ω	1/16W J
C3114	QCB32HK-472Z	C CAPACITOR	4700pF	500V K	R3313	NRSA63J-331X	MG RESISTOR	330Ω	1/16W J
C3116	QETN1AM-107Z	E CAPACITOR	100uF	10V M					
C3117	QETN1AM-107Z	E CAPACITOR	100uF	10V M	L3204	QQL26AJ-102Z	COIL		1mH J
C3118	QETN1AM-337Z	E CAPACITOR	330uF	10V M					
C3120	NDC31HJ-561X	C CAPACITOR	560pF	50V J	CN300G	QJK002-063631	SIN CR C-B WIRE		
C3201	NDC31HJ-8R0X	C CAPACITOR	8pF	50V J	CN300R	CHGY0146-0A	CONNECTOR ASSY		
C3202	NDC31HJ-8R0X	C CAPACITOR	8pF	50V J	CN30E1	CE41507-001P	LV CONNECTOR		
C3203	NDC31HJ-8R0X	C CAPACITOR	8pF	50V J	CN30SC	QGZ0017C1-01Z	CONNECTOR		(1-1)
C3204	NCF31CZ-104X	C CAPACITOR	0.1uF	16V Z	CN30VM	CHHB03-140A	3P DB WIRE ASSY		
C3205	NCF31CZ-104X	C CAPACITOR	0.1uF	16V Z	HS3101	CEHP00N-001QS	HEAT SINK		
C3206	NCF31CZ-104X	C CAPACITOR	0.1uF	16V Z	HS3102	CEHP00N-001QS	HEAT SINK		
C3207	QETN1EM-476Z	E CAPACITOR	47uF	25V M	HS3201	LC31150-002A	HEAT SINK/AL-F/		
C3208	QETN1EM-476Z	E CAPACITOR	47uF	25V M	HS3202	LC31150-002A	HEAT SINK/AL-F/		
C3209	QETN1EM-476Z	E CAPACITOR	47uF	25V M	HS3203	LC31150-002A	HEAT SINK/AL-F/		
C3210	QFK62EK-104Z	MM CAPACITOR	0.1uF	250V K	K3101	CE41492-001Z	CHOKE COIL		
C3211	QFK62EK-104Z	MM CAPACITOR	0.1uF	250V K	K3103	CE41492-001Z	CHOKE COIL		
C3212	QFK62EK-104Z	MM CAPACITOR	0.1uF	250V K	K3104	CE41492-001Z	CHOKE COIL		
C3213	NDC31HJ-181X	C CAPACITOR	180pF	50V J	K3105	QQR0621-002Z	FERRITE BEADS		
C3214	NDC31HJ-181X	C CAPACITOR	180pF	50V J	K3201	QQR0679-001	FERRITE BEADS		
C3215	NDC31HJ-181X	C CAPACITOR	180pF	50V J	K3202	QQR0679-001	FERRITE BEADS		
C3216	QETN1CM-107Z	E CAPACITOR	100uF	16V M	SG3201	QAF0056-501Z	SURGE ABSORBER		500V M
C3218	QETM2EM-336	E CAPACITOR	33uF	250V M	SG3202	QAF0056-501Z	SURGE ABSORBER		500V M
C3219	QFZ0097-223	MM CAPACITOR	0.022uF	1.25KV M	SG3203	QAF0056-501Z	SURGE ABSORBER		500V M
C3221	QETN2EM-106Z	E CAPACITOR	10uF	250V M	ΔSK3001	QNZ0574-001	CRT SOCKET		
C3222	QETN2EM-106Z	E CAPACITOR	10uF	250V M	Y3101	NRSA63J-0R0X	MG RESISTOR	0Ω	1/16W J
C3223	QETN2EM-106Z	E CAPACITOR	10uF	250V M					
C3224	QETN2EM-106Z	E CAPACITOR	10uF	250V M					
C3301	QETN1CM-107Z	E CAPACITOR	100uF	16V M					
C3302	QETN1AM-107Z	E CAPACITOR	100uF	10V M					
R3103	NRSA63J-101X	MG RESISTOR	100Ω	1/16W J					
R3109	NRSA63J-153X	MG RESISTOR	15kΩ	1/16W J					
R3112	NRSA63J-272X	MG RESISTOR	2.7kΩ	1/16W J					
R3114	NRSA63J-152X	MG RESISTOR	1.5kΩ	1/16W J					
R3115	NRSA63J-560X	MG RESISTOR	56Ω	1/16W J					
R3116	QRG01GJ-101	OMF RESISTOR	100Ω	1W J					
R3117	NRSA63J-331X	MG RESISTOR	330Ω	1/16W J					
R3122	NRSA63J-122X	MG RESISTOR	1.2kΩ	1/16W J					
R3123	QRE121J-563Y	C RESISTOR	56kΩ	1/2W J					
R3124	NRSA63J-470X	MG RESISTOR	47Ω	1/16W J					
R3125	QRE121J-563Y	C RESISTOR	56kΩ	1/2W J					
R3126	NRSA63J-470X	MG RESISTOR	47Ω	1/16W J	D8801	SPR-39MVVWF	LED		RED-GREEN
R3127	NRSA63J-122X	MG RESISTOR	1.2kΩ	1/16W J	D8851	MA3068/M-X	Z DIODE		
R3128	NRSA63J-390X	MG RESISTOR	39Ω	1/16W J					
R3129	QRE121J-2R7Y	C RESISTOR	2.7Ω	1/2W J					
R3130	QRE121J-2R7Y	C RESISTOR	2.7Ω	1/2W J	C8851	NCB31CK-104X	C CAPACITOR	0.1uF	16V K
R3131	NRSA63J-390X	MG RESISTOR	39Ω	1/16W J	C8852	QETN1CM-107Z	E CAPACITOR	100uF	16V M
R3132	NRSA63J-121X	MG RESISTOR	120Ω	1/16W J	ΔC8901	QFZ9072-474	MM CAPACITOR	0.47uF	AC250V K
R3133	QRL029J-681	OMF RESISTOR	680Ω	2W J					
ΔR3134	QRZ9021-561	FUSI RESISTOR	560Ω	1W J	R8801	NRSA63J-561X	MG RESISTOR	560Ω	1/16W J
R3201	NRSA63J-102X	MG RESISTOR	1kΩ	1/16W J	R8802	NRSA63J-561X	MG RESISTOR	560Ω	1/16W J
R3202	NRSA63J-102X	MG RESISTOR	1kΩ	1/16W J	R8804	NRSA63J-103X	MG RESISTOR	10kΩ	1/16W J
R3203	NRSA63J-102X	MG RESISTOR	1kΩ	1/16W J	R8851	NRSA63J-102X	MG RESISTOR	1kΩ	1/16W J
R3208	NRSA63J-154X	MG RESISTOR	150kΩ	1/16W J					
R3209	NRSA63J-101X	MG RESISTOR	100Ω	1/16W J	CN800B	QGA2501C5-04Z	CONNECTOR		W-B (1-4)
R3218	NRSA63J-272X	MG RESISTOR	2.7kΩ	1/16W J	CN800W	WJK0050-002A	E-SI C WIRE C-B		
R3219	NRSA63J-272X	MG RESISTOR	2.7kΩ	1/16W J	CN80PW	QGAB801C1-02	CONNECTOR		W-B (1-2)
R3220	NRSA63J-272X	MG RESISTOR	2.7kΩ	1/16W J	ΔF8901	QMF51D2-3R15J1	FUSE	3.15A	AC250V
R3222	NRSA63J-103X	MG RESISTOR	10kΩ	1/16W J	FC8901	CEMG002-001Z	FUSE CLIP		
R3223	NRSA63J-272X	MG RESISTOR	2.7kΩ	1/16W J	FC8902	CEMG002-001Z	FUSE CLIP		
R3224	QRL029J-104-F	OMF RESISTOR	100kΩ	2W J	ΔLF8901	QQR1095-001	LINE FILTER		
R3225	QRL029J-104-F	OMF RESISTOR	100kΩ	2W J	ΔS8901	QSW0824-001	PUSH SWITCH		POWER
R3226	QRL029J-104-F	OMF RESISTOR	100kΩ	2W J	W8001	NRSA63J-0R0X	MG RESISTOR	0Ω	1/16W J
R3227	NRSA63J-332X	MG RESISTOR	3.3kΩ	1/16W J					
R3228	NRSA63J-332X	MG RESISTOR	3.3kΩ	1/16W J					
R3229	NRSA63J-332X	MG RESISTOR	3.3kΩ	1/16W J					
R3230	QRC121K-152Z	COMP RESISTOR	1.5kΩ	1/2W K					
R3231	QRC121K-152Z	COMP RESISTOR	1.5kΩ	1/2W K					
R3232	QRC121K-152Z	COMP RESISTOR	1.5kΩ	1/2W K					
R3234	QRZ0107-474Z	C RESISTOR	470kΩ	1/2W K					
R3235	QRC121K-102Z	COMP RESISTOR	1kΩ	1/2W K					
R3236	QRZ0107-105Z	C RESISTOR	1MΩ	1/2W K					
R3237	NRSA63J-103X	MG RESISTOR	10kΩ	1/16W J					
R3239	NRSA63J-102X	MG RESISTOR	1kΩ	1/16W J					

**FRONT CONTROL PW BOARD ASS'Y (SML-8001A-U2)**

ΔRef No.	Part No.	Part Name	Description	Local
IC8851	GP1UM281QK	IR DETECT UNIT		38kHz
Q8801	UN2112-X	DIGI TRANSISTOR		
Q8802	UN2112-X	DIGI TRANSISTOR		
Q8803	UN2212-X	DIGI TRANSISTOR		
D8801	SPR-39MVVWF	LED		RED-GREEN
D8851	MA3068/M-X	Z DIODE		
C8851	NCB31CK-104X	C CAPACITOR	0.1uF	16V K
C8852	QETN1CM-107Z	E CAPACITOR	100uF	16V M
ΔC8901	QFZ9072-474	MM CAPACITOR	0.47uF	AC250V K
R8801	NRSA63J-561X	MG RESISTOR	560Ω	1/16W J
R8802	NRSA63J-561X	MG RESISTOR	560Ω	1/16W J
R8804	NRSA63J-103X	MG RESISTOR	10kΩ	1/16W J
R8851	NRSA63J-102X	MG RESISTOR	1kΩ	1/16W J
CN800B	QGA2501C5-04Z	CONNECTOR		W-B (1-4)
CN800W	WJK0050-002A	E-SI C WIRE C-B		
CN80PW	QGAB801C1-02	CONNECTOR		W-B (1-2)
ΔF8901	QMF51D2-3R15J1	FUSE	3.15A	AC250V
FC8901	CEMG002-001Z	FUSE CLIP		
FC8902	CEMG002-001Z	FUSE CLIP		
ΔLF8901	QQR1095-001	LINE FILTER		
ΔS8901	QSW0824-001	PUSH SWITCH		POWER
W8001	NRSA63J-0R0X	MG RESISTOR	0Ω	1/16W J

**SIDE CONTROL PW BOARD ASS'Y (SML-8101A-U2)**

ΔRef No.	Part No.	Part Name	Description	Local
C8001	NCB31HK-103X	C CAPACITOR	0.01uF	50V K
C8002	NCB31HK-103X	C CAPACITOR	0.01uF	50V K
C8003	NCB31HK-102X	C CAPACITOR	1000pF	50V K

△Ref No.	Part No.	Part Name	Description	Local
C8004	NCB31HK-102X	C CAPACITOR	1000pF 50V K	
C8310	NCB31HK-472X	C CAPACITOR	4700pF 50V K	
C8311	NCB31HK-472X	C CAPACITOR	4700pF 50V K	
C8321	NCB31CK-104X	C CAPACITOR	0.1uF 16V K	
R8001	QRE121J-271Y	C RESISTOR	270Ω 1/2W J	
R8002	QRE121J-271Y	C RESISTOR	270Ω 1/2W J	
R8021	NRSA63J-102X	MG RESISTOR	1kΩ 1/16W J	
R8022	NRSA63J-102X	MG RESISTOR	1kΩ 1/16W J	
L8001	QQR0716-001Z	FERRITE BEADS		
L8002	QQL244K-5R6Z	COIL	5.6uH K	
L8003	QQL244K-5R6Z	COIL	5.6uH K	
L8310	QQL244K-270Z	COIL	27uH K	
L8311	QQL244K-270Z	COIL	27uH K	
L8312	QQR0716-001Z	FERRITE BEADS		
CN800F	QGA2501C1-12	CONNECTOR	W-B (1-12)	
CN800K	QGA2501C5-05Z	CONNECTOR	W-B (1-5)	
J8001	QMS3001-C01	3.5 JACK	HEADPHONE	
J8303	QNZ0438-001	AV JACK	V-IN	
S8001	QSW0619-003Z	TACT SWITCH	CH DOWN	
S8002	QSW0619-003Z	TACT SWITCH	MENU	
S8003	QSW0619-003Z	TACT SWITCH	CH UP	

**AV JACK PW BOARD ASS'Y (SML0J001A-U2)**

△Ref No.	Part No.	Part Name	Description	Local
D0101	MA3056/M-X	Z DIODE		
D0102	MA3056/M-X	Z DIODE		
D0103	MA3056/M-X	Z DIODE		
D0104	MA3056/M-X	Z DIODE		
D0115	MA3056/M-X	Z DIODE		
D0116	MA3056/M-X	Z DIODE		
D0117	MA3056/M-X	Z DIODE		
D0118	MA3056/M-X	Z DIODE		
D0119	MA3056/M-X	Z DIODE		
C0101	NCB31HK-472X	C CAPACITOR	4700pF 50V K	
C0102	NCB31HK-472X	C CAPACITOR	4700pF 50V K	
C0103	NCB31HK-472X	C CAPACITOR	4700pF 50V K	
C0104	NCB31HK-472X	C CAPACITOR	4700pF 50V K	
C0105	NCB31HK-472X	C CAPACITOR	4700pF 50V K	
C0106	NCB31HK-472X	C CAPACITOR	4700pF 50V K	
C0107	NCB31HK-472X	C CAPACITOR	4700pF 50V K	
C0108	NCB31HK-472X	C CAPACITOR	4700pF 50V K	
C0109	NCB31HK-472X	C CAPACITOR	4700pF 50V K	
C0110	NCB31HK-472X	C CAPACITOR	4700pF 50V K	
R0101	NRSA63J-750X	MG RESISTOR	75Ω 1/16W J	
R0102	NRSA63J-750X	MG RESISTOR	75Ω 1/16W J	
R0103	NRSA63J-750X	MG RESISTOR	75Ω 1/16W J	
R0104	NRSA63J-750X	MG RESISTOR	75Ω 1/16W J	
R0105	NRSA63J-750X	MG RESISTOR	75Ω 1/16W J	
R0106	NRSA63J-750X	MG RESISTOR	75Ω 1/16W J	
R0107	NRSA63J-750X	MG RESISTOR	75Ω 1/16W J	
R0108	NRSA63J-750X	MG RESISTOR	75Ω 1/16W J	
R0109	NRSA63J-750X	MG RESISTOR	75Ω 1/16W J	
R0203	NRSA63J-750X	MG RESISTOR	75Ω 1/16W J	
R0204	NRSA63J-750X	MG RESISTOR	75Ω 1/16W J	
R0205	NRSA63J-750X	MG RESISTOR	75Ω 1/16W J	
CN0001	QGB1505K1-35	CONNECTOR	B-B (1-35)	
J0001	QNZ0465-001	21P CONNECTOR	EXT-2	
J0002	QNZ0463-001	21P CONNECTOR	EXT-1	
W0101	NRSA63J-0R0X	MG RESISTOR	0Ω 1/16W J	
W0102	NRSA63J-0R0X	MG RESISTOR	0Ω 1/16W J	
W0103	NRSA63J-0R0X	MG RESISTOR	0Ω 1/16W J	
W0104	NRSA63J-0R0X	MG RESISTOR	0Ω 1/16W J	

**100Hz PW BOARD ASS'Y**

**(SML0Z001A-U2) [AV-32H35SUE]  
 (SML0Z002A-U2) [AV-32X35HKE / AV-32X35HUE /  
 AV-32X37HIE / AV-32X37HKE / AV-32X37SUE]**

△Ref No.	Part No.	Part Name	Description	Local
IC001	SDA6000-B12	IC		
IC002	S-80828CNNB-W	IC		
IC003	K4S641632F-TC75	IC(DIGITAL)		
IC004	MBV160T90PT	IC(MICRO C ROM)		
IC191	PQ2L3252MS-X	IC		
IC201	VSP9415B-VK-C1	IC		
IC301	DDP3315C-QA-D2	IC		
IC901	R1170H181B-X	IC		
IC902	MM1563DF-X	IC		
IC903	MM1565AF-X	IC		
Q013	2SK1830-X	MOS FET		
Q014	2SK1830-X	MOS FET		
Q101	2SD601A/QR/-X	TRANSISTOR		
Q201	2SB709A/QR/-X	TRANSISTOR		
Q202	2SB709A/QR/-X	TRANSISTOR		
Q203	2SB709A/QR/-X	TRANSISTOR		
Q301	2SB709A/QR/-X	TRANSISTOR		
Q302	2SD601A/QR/-X	TRANSISTOR		
Q304	2SC4672/PQ/-W	TRANSISTOR		
Q305	2SB709A/QR/-X	TRANSISTOR		
Q306	2SB709A/QR/-X	TRANSISTOR		
Q307	2SB709A/QR/-X	TRANSISTOR		
QA001	UMX1N-W	PAIR TRANSISTOR		
QA002	UMX1N-W	PAIR TRANSISTOR		
QA003	UMX1N-W	PAIR TRANSISTOR		
QA004	UMT1N-W	PAIR TRANSISTOR		
QA301	UMX1N-W	PAIR TRANSISTOR		
QA302	UMT1N-W	PAIR TRANSISTOR		
D001	MA111-X	SI DIODE		
D002	MA111-X	SI DIODE		
D003	MA3068/M-X	Z DIODE		
D005	RSA6.1J4-W	SI DIODE		
D301	DA221-X	DIODE ARRAY		
D302	DA221-X	DIODE ARRAY		
D303	DA221-X	DIODE ARRAY		
D304	DA221-X	DIODE ARRAY		
D305	MA111-X	SI DIODE		
D306	DA221-X	DIODE ARRAY		
C001	NCB31HK-104X	C CAPACITOR	0.1uF 50V K	
C019	NEH71CM-476X	E CAPACITOR	47uF 16V M	
C020	NCB31HK-104X	C CAPACITOR	0.1uF 50V K	
C021	NEH71CM-476X	E CAPACITOR	47uF 16V M	
C022	NCF31AZ-105X	C CAPACITOR	1uF 10V Z	
C023	NCB31EK-333X	C CAPACITOR	0.033uF 25V K	
C024	NCB31HK-104X	C CAPACITOR	0.1uF 50V K	
C025	NCB31EK-333X	C CAPACITOR	0.033uF 25V K	
C026	NCB31HK-104X	C CAPACITOR	0.1uF 50V K	
C027	NEH71CM-476X	E CAPACITOR	47uF 16V M	
C028	NEH71CM-476X	E CAPACITOR	47uF 16V M	
C029	NDC31HJ-151X	C CAPACITOR	150pF 50V J	
C030	NCB31HK-104X	C CAPACITOR	0.1uF 50V K	
C031	NCB31HK-104X	C CAPACITOR	0.1uF 50V K	
C032	NCB31HK-104X	C CAPACITOR	0.1uF 50V K	
C034	NCB31HK-104X	C CAPACITOR	0.1uF 50V K	
C035	NCB31HK-104X	C CAPACITOR	0.1uF 50V K	
C036	NCB31HK-104X	C CAPACITOR	0.1uF 50V K	
C037	NCB31HK-104X	C CAPACITOR	0.1uF 50V K	
C038	NCB31HK-104X	C CAPACITOR	0.1uF 50V K	
C039	NCB31HK-104X	C CAPACITOR	0.1uF 50V K	
C040	NDC31HJ-330X	C CAPACITOR	33pF 50V J	
C041	NDC31HJ-270X	C CAPACITOR	27pF 50V J	
C042	NCB31HK-104X	C CAPACITOR	0.1uF 50V K	
C043	NCB31HK-104X	C CAPACITOR	0.1uF 50V K	
C045	NCB31HK-104X	C CAPACITOR	0.1uF 50V K	
C046	NCB31HK-104X	C CAPACITOR	0.1uF 50V K	
C047	NCB31HK-104X	C CAPACITOR	0.1uF 50V K	
C048	NEH71CM-476X	E CAPACITOR	47uF 16V M	
C049	NCB31HK-104X	C CAPACITOR	0.1uF 50V K	
C050	NCB31HK-104X	C CAPACITOR	0.1uF 50V K	
C051	NEH71CM-476X	E CAPACITOR	47uF 16V M	
C052	NCB31HK-104X	C CAPACITOR	0.1uF 50V K	
C053	NCB31HK-104X	C CAPACITOR	0.1uF 50V K	
C054	NCB31HK-104X	C CAPACITOR	0.1uF 50V K	
C055	NCB31HK-104X	C CAPACITOR	0.1uF 50V K	
C056	NCB31HK-104X	C CAPACITOR	0.1uF 50V K	
C057	NCB31HK-104X	C CAPACITOR	0.1uF 50V K	
C059	NEH71CM-106X	E CAPACITOR	10uF 16V M	

△Ref No.	Part No.	Part Name	Description Local	△Ref No.	Part No.	Part Name	Description Local
C060	NEH71CM-106X	E CAPACITOR	10uF 16V M	R001	NRSA63J-102X	MG RESISTOR	1kΩ 1/16W J
C061	NEH71CM-106X	E CAPACITOR	10uF 16V M	R002	NRSA63J-104X	MG RESISTOR	100kΩ 1/16W J
C062	NRSA63J-0R0X	MG RESISTOR	0Ω 1/16W J	R003	NRSA63J-102X	MG RESISTOR	1kΩ 1/16W J
C066	NCB31HK-104X	C CAPACITOR	0.1uF 50V K	R004	NRSA63J-102X	MG RESISTOR	1kΩ 1/16W J
C067	NCB31HK-104X	C CAPACITOR	0.1uF 50V K	R005	NRSA63J-102X	MG RESISTOR	1kΩ 1/16W J
C191	NEH71CM-476X	E CAPACITOR	47uF 16V M	R006	NRSA63J-152X	MG RESISTOR	1.5kΩ 1/16W J
C192	NCB11CK-225X	C CAPACITOR	2.2uF 16V K	R007	NRSA63J-102X	MG RESISTOR	1kΩ 1/16W J
C193	NCB11CK-225X	C CAPACITOR	2.2uF 16V K	R008	NRSA63J-102X	MG RESISTOR	1kΩ 1/16W J
C194	NCB31CK-104X	C CAPACITOR	0.1uF 16V K	R009	NRSA63J-103X	MG RESISTOR	10kΩ 1/16W J
C195	NEH70JM-107X	E CAPACITOR	100uF 6.3V M	R010	NRSA63J-103X	MG RESISTOR	10kΩ 1/16W J
C196	NCB11CK-225X	C CAPACITOR	2.2uF 16V K	R011	NRSA63J-103X	MG RESISTOR	10kΩ 1/16W J
C197	NEH70GM-227X	E CAPACITOR	220uF 4V M	R012	NRSA63J-273X	MG RESISTOR	27kΩ 1/16W J
C201	NDC31HJ-331X	C CAPACITOR	330pF 50V J	R013	NRSA63J-221X	MG RESISTOR	220Ω 1/16W J
C202	NDC31HJ-331X	C CAPACITOR	330pF 50V J	R014	NRSA63J-102X	MG RESISTOR	1kΩ 1/16W J
C203	NDC31HJ-331X	C CAPACITOR	330pF 50V J	R015	NRSA63J-473X	MG RESISTOR	47kΩ 1/16W J
C204	NCB31HK-104X	C CAPACITOR	0.1uF 50V K	R016	NRSA63J-103X	MG RESISTOR	10kΩ 1/16W J
C205	NCB31HK-473X	C CAPACITOR	0.047uF 50V K	R017	NRSA63J-103X	MG RESISTOR	10kΩ 1/16W J
C206	NCB31HK-473X	C CAPACITOR	0.047uF 50V K	R018	NRSA63J-102X	MG RESISTOR	1kΩ 1/16W J
C207	NCB31HK-473X	C CAPACITOR	0.047uF 50V K	R019	NRSA63J-102X	MG RESISTOR	1kΩ 1/16W J
C208	NCF31AZ-105X	C CAPACITOR	1uF 10V Z	R020	NRSA63J-102X	MG RESISTOR	1kΩ 1/16W J
C209	NCB31HK-473X	C CAPACITOR	0.047uF 50V K	R022	NRSA63J-472X	MG RESISTOR	4.7kΩ 1/16W J
C210	NCF31AZ-105X	C CAPACITOR	1uF 10V Z	R024	NRSA63J-472X	MG RESISTOR	4.7kΩ 1/16W J
C211	NCB31HK-473X	C CAPACITOR	0.047uF 50V K	R027	NRSA63J-472X	MG RESISTOR	4.7kΩ 1/16W J
C212	NCB31HK-473X	C CAPACITOR	0.047uF 50V K	R030	NRSA63J-472X	MG RESISTOR	4.7kΩ 1/16W J
C213	NCF31AZ-105X	C CAPACITOR	1uF 10V Z	R032	NRSA63J-472X	MG RESISTOR	4.7kΩ 1/16W J
C214	NCB31AK-334X	C CAPACITOR	0.33uF 10V K	R034	NRSA63J-103X	MG RESISTOR	10kΩ 1/16W J
C215	NCB31HK-104X	C CAPACITOR	0.1uF 50V K	R035	NRSA63J-103X	MG RESISTOR	10kΩ 1/16W J
C219	NCB31HK-103X	C CAPACITOR	0.01uF 50V K	R036	NRSA63J-103X	MG RESISTOR	10kΩ 1/16W J
C220	NCF31AZ-105X	C CAPACITOR	1uF 10V Z	R037	NRSA63J-103X	MG RESISTOR	10kΩ 1/16W J
C221	NCF31AZ-105X	C CAPACITOR	1uF 10V Z	R038	NRSA63J-103X	MG RESISTOR	10kΩ 1/16W J
C222	NCF31AZ-105X	C CAPACITOR	1uF 10V Z	R042	NRSA63J-0R0X	MG RESISTOR	0Ω 1/16W J
C223	NCF31AZ-105X	C CAPACITOR	1uF 10V Z	R043	NRSA63J-472X	MG RESISTOR	4.7kΩ 1/16W J
C224	NCF31AZ-105X	C CAPACITOR	1uF 10V Z	R044	NRSA63J-472X	MG RESISTOR	4.7kΩ 1/16W J
C225	NDC31HJ-220X	C CAPACITOR	22pF 50V J	R054	NRSA63J-390X	MG RESISTOR	39Ω 1/16W J
C226	NDC31HJ-220X	C CAPACITOR	22pF 50V J	R055	NRSA63J-0R0X	MG RESISTOR	0Ω 1/16W J
C227	NCF31AZ-105X	C CAPACITOR	1uF 10V Z	R057	NRSA63J-0R0X	MG RESISTOR	0Ω 1/16W J
C228	NCF31AZ-105X	C CAPACITOR	1uF 10V Z	R058	NRSA63J-0R0X	MG RESISTOR	0Ω 1/16W J
C229	NCF31AZ-105X	C CAPACITOR	1uF 10V Z	R059	NRSA63J-0R0X	MG RESISTOR	0Ω 1/16W J
C230	NCF31AZ-105X	C CAPACITOR	1uF 10V Z	R060	NRSA63J-0R0X	MG RESISTOR	0Ω 1/16W J
C231	NCF31AZ-105X	C CAPACITOR	1uF 10V Z	R061	NRSA63J-0R0X	MG RESISTOR	0Ω 1/16W J
C301	NEH71HM-105X	E CAPACITOR	1uF 50V M	R087	NRSA63J-221X	MG RESISTOR	220Ω 1/16W J
C303	NDC31HJ-270X	C CAPACITOR	27pF 50V J	R089	NRSA63J-221X	MG RESISTOR	220Ω 1/16W J
C304	NDC31HJ-270X	C CAPACITOR	27pF 50V J	R090	NRSA63J-221X	MG RESISTOR	220Ω 1/16W J
C305	NEH71HM-105X	E CAPACITOR	1uF 50V M	R095	NRSA63J-473X	MG RESISTOR	47kΩ 1/16W J
C306	NCF31AZ-105X	C CAPACITOR	1uF 10V Z	R096	NRSA63J-102X	MG RESISTOR	1kΩ 1/16W J
C307	NDC31HJ-561X	C CAPACITOR	560pF 50V J	R097	NRSA63J-102X	MG RESISTOR	1kΩ 1/16W J
C308	NEH71HM-105X	E CAPACITOR	1uF 50V M	R098	NRSA63J-221X	MG RESISTOR	220Ω 1/16W J
C309	NCF31AZ-105X	C CAPACITOR	1uF 10V Z	R110	NRSA63J-102X	MG RESISTOR	1kΩ 1/16W J
C311	NDC31HJ-150X	C CAPACITOR	15pF 50V J	R111	NRSA63J-103X	MG RESISTOR	10kΩ 1/16W J
C312	NCB31HK-562X	C CAPACITOR	5600pF 50V K	R112	NRSA63J-102X	MG RESISTOR	1kΩ 1/16W J
C313	NCB31HK-333X	C CAPACITOR	0.033uF 50V K	R113	NRSA63J-103X	MG RESISTOR	10kΩ 1/16W J
C314	NCB31HK-333X	C CAPACITOR	0.033uF 50V K	R114	NRSA63J-103X	MG RESISTOR	10kΩ 1/16W J
C315	NCB31AK-334X	C CAPACITOR	0.33uF 10V K	R115	NRSA63J-103X	MG RESISTOR	10kΩ 1/16W J
C319	NCB31HK-103X	C CAPACITOR	0.01uF 50V K	R116	NRSA63J-103X	MG RESISTOR	10kΩ 1/16W J
C320	NCB31HK-103X	C CAPACITOR	0.01uF 50V K	R124	NRSA63J-101X	MG RESISTOR	100Ω 1/16W J
C321	NCB31HK-103X	C CAPACITOR	0.01uF 50V K	R125	NRSA63J-103X	MG RESISTOR	10kΩ 1/16W J
C322	NEH71HM-335X	E CAPACITOR	3.3uF 50V M	R126	NRSA63J-472X	MG RESISTOR	4.7kΩ 1/16W J
C323	NCB31HK-104X	C CAPACITOR	0.1uF 50V K	R127	NRSA63J-103X	MG RESISTOR	10kΩ 1/16W J
C324	NCF31AZ-105X	C CAPACITOR	1uF 10V Z	R128	NRSA63J-103X	MG RESISTOR	10kΩ 1/16W J
C325	NEH71HM-105X	E CAPACITOR	1uF 50V M	R129	NRSA63J-823X	MG RESISTOR	82kΩ 1/16W J
C329	NCB31HK-104X	C CAPACITOR	0.1uF 50V K	R130	NRSA63J-104X	MG RESISTOR	100kΩ 1/16W J
C330	NEH71CM-106X	E CAPACITOR	10uF 16V M	R131	NRSA63J-823X	MG RESISTOR	82kΩ 1/16W J
C331	NCB31HK-682X	C CAPACITOR	6800pF 50V K	R132	NRSA63J-104X	MG RESISTOR	100kΩ 1/16W J
C332	NCB31HK-104X	C CAPACITOR	0.1uF 50V K	R133	NRSA63J-473X	MG RESISTOR	47kΩ 1/16W J
C333	NEH71CM-106X	E CAPACITOR	10uF 16V M	R134	NRSA63J-473X	MG RESISTOR	47kΩ 1/16W J
C334	NDC31HJ-561X	C CAPACITOR	560pF 50V J	R135	NRSA63J-102X	MG RESISTOR	1kΩ 1/16W J
C335	NDC31HJ-561X	C CAPACITOR	560pF 50V J	R136	NRSA63J-103X	MG RESISTOR	10kΩ 1/16W J
C336	NDC31HJ-561X	C CAPACITOR	560pF 50V J	R137	NRSA63J-222X	MG RESISTOR	2.2kΩ 1/16W J
C901	NEH71CM-106X	E CAPACITOR	10uF 16V M	R138	NRSA63J-222X	MG RESISTOR	2.2kΩ 1/16W J
C902	NEH71CM-106X	E CAPACITOR	10uF 16V M	R139	NRSA63J-222X	MG RESISTOR	2.2kΩ 1/16W J
C903	NEH71CM-106X	E CAPACITOR	10uF 16V M	R147	NRSA63J-472X	MG RESISTOR	4.7kΩ 1/16W J
C904	NEH71CM-106X	E CAPACITOR	10uF 16V M	R151	NRSA63J-183X	MG RESISTOR	18kΩ 1/16W J
C905	NEH71CM-106X	E CAPACITOR	10uF 16V M	R152	NRSA63J-221X	MG RESISTOR	220Ω 1/16W J
C906	NCF31AZ-105X	C CAPACITOR	1uF 10V Z	R153	NRSA63J-221X	MG RESISTOR	220Ω 1/16W J
C907	NCF31AZ-105X	C CAPACITOR	1uF 10V Z	R154	NRSA63J-221X	MG RESISTOR	220Ω 1/16W J
C908	NCF31AZ-105X	C CAPACITOR	1uF 10V Z	R155	NRSA63J-101X	MG RESISTOR	100Ω 1/16W J
C909	NCF31AZ-105X	C CAPACITOR	1uF 10V Z	R156	NRSA63J-101X	MG RESISTOR	100Ω 1/16W J
C910	NDC31HJ-471X	C CAPACITOR	470pF 50V J	R158	NRSA63J-221X	MG RESISTOR	220Ω 1/16W J
C911	NEH71CM-106X	E CAPACITOR	10uF 16V M	R165	NRSA63J-103X	MG RESISTOR	10kΩ 1/16W J
C912	NCF31AZ-105X	C CAPACITOR	1uF 10V Z	R166	NRSA63J-223X	MG RESISTOR	22kΩ 1/16W J
C913	NCF31AZ-105X	C CAPACITOR	1uF 10V Z	R167	NRSA63J-103X	MG RESISTOR	10kΩ 1/16W J
C914	NDC31HJ-471X	C CAPACITOR	470pF 50V J	R169	NRSA63J-0R0X	MG RESISTOR	0Ω 1/16W J
C915	NEH71CM-106X	E CAPACITOR	10uF 16V M	R170	NRSA63J-0R0X	MG RESISTOR	0Ω 1/16W J
C916	NEH71CM-106X	E CAPACITOR	10uF 16V M	R171	NRSA63J-0R0X	MG RESISTOR	0Ω 1/16W J
C917	NEH71CM-106X	E CAPACITOR	10uF 16V M	R172	NRSA63J-0R0X	MG RESISTOR	0Ω 1/16W J
C918	NEH71CM-106X	E CAPACITOR	10uF 16V M	R173	NRSA63J-103X	MG RESISTOR	10kΩ 1/16W J
				R174	NRSA63J-221X	MG RESISTOR	220Ω 1/16W J

△Ref No.	Part No.	Part Name	Description	Local
R177	NRSA63J-0R0X	MG RESISTOR	0Ω 1/16W J	
R201	NRSA63J-750X	MG RESISTOR	75Ω 1/16W J	
R202	NRSA63J-750X	MG RESISTOR	75Ω 1/16W J	
R203	NRSA63J-750X	MG RESISTOR	75Ω 1/16W J	
R204	NRSA63J-222X	MG RESISTOR	2.2kΩ 1/16W J	
R205	NRSA63J-222X	MG RESISTOR	2.2kΩ 1/16W J	
R206	NRSA63J-222X	MG RESISTOR	2.2kΩ 1/16W J	
R207	NRSA63J-222X	MG RESISTOR	2.2kΩ 1/16W J	
R208	NRSA63J-222X	MG RESISTOR	2.2kΩ 1/16W J	
R209	NRSA63J-222X	MG RESISTOR	2.2kΩ 1/16W J	
R210	NRSA63J-222X	MG RESISTOR	2.2kΩ 1/16W J	
R211	NRSA63J-222X	MG RESISTOR	2.2kΩ 1/16W J	
R212	NRSA63J-222X	MG RESISTOR	2.2kΩ 1/16W J	
R213	NRSA63J-0R0X	MG RESISTOR	0Ω 1/16W J	
R214	NRSA63J-101X	MG RESISTOR	100Ω 1/16W J	
R215	NRSA63J-101X	MG RESISTOR	100Ω 1/16W J	
R216	NRSA63J-102X	MG RESISTOR	1kΩ 1/16W J	
R217	NRSA63J-103X	MG RESISTOR	10kΩ 1/16W J	
R301	NRSA63J-562X	MG RESISTOR	5.6kΩ 1/16W J	
R302	NRSA63J-103X	MG RESISTOR	10kΩ 1/16W J	
R303	NRSA63J-223X	MG RESISTOR	22kΩ 1/16W J	
R304	NRSA63J-0R0X	MG RESISTOR	0Ω 1/16W J	
R305	NRSA63J-0R0X	MG RESISTOR	0Ω 1/16W J	
R306	NRSA63J-0R0X	MG RESISTOR	0Ω 1/16W J	
R309	NRSA63J-0R0X	MG RESISTOR	0Ω 1/16W J	
R310	NRSA63J-0R0X	MG RESISTOR	0Ω 1/16W J	
R311	NRSA63J-683X	MG RESISTOR	68kΩ 1/16W J	
R314	NRSA63J-471X	MG RESISTOR	470Ω 1/16W J	
R315	NRSA63J-0R0X	MG RESISTOR	0Ω 1/16W J	
R318	NRSA63J-223X	MG RESISTOR	22kΩ 1/16W J	
R319	NRSA63J-222X	MG RESISTOR	2.2kΩ 1/16W J	
R320	NRSA63J-102X	MG RESISTOR	1kΩ 1/16W J	
R321	NRSA63J-332X	MG RESISTOR	3.3kΩ 1/16W J	
R322	NRSA63J-332X	MG RESISTOR	3.3kΩ 1/16W J	
R323	NRSA63J-332X	MG RESISTOR	3.3kΩ 1/16W J	
R324	NRSA63J-103X	MG RESISTOR	10kΩ 1/16W J	
R325	NRSA63J-563X	MG RESISTOR	56kΩ 1/16W J	
R327	NRSA63J-682X	MG RESISTOR	6.8kΩ 1/16W J	
R328	NRSA63J-102X	MG RESISTOR	1kΩ 1/16W J	
R329	NRSA63J-682X	MG RESISTOR	6.8kΩ 1/16W J	
R330	NRSA63J-103X	MG RESISTOR	10kΩ 1/16W J	
R331	NRSA63J-101X	MG RESISTOR	100Ω 1/16W J	
R332	NRSA63J-101X	MG RESISTOR	100Ω 1/16W J	
R333	NRSA63J-103X	MG RESISTOR	10kΩ 1/16W J	
R334	NRSA63J-103X	MG RESISTOR	10kΩ 1/16W J	
R336	NRSA63J-182X	MG RESISTOR	1.8kΩ 1/16W J	
R337	NRSA63J-682X	MG RESISTOR	6.8kΩ 1/16W J	
R338	NRSA63J-332X	MG RESISTOR	3.3kΩ 1/16W J	
R339	NRSA63J-102X	MG RESISTOR	1kΩ 1/16W J	
R341	NRSA63J-272X	MG RESISTOR	2.7kΩ 1/16W J	
R342	NRSA63J-470X	MG RESISTOR	47Ω 1/16W J	
R343	NRSA63J-330X	MG RESISTOR	33Ω 1/16W J	
R344	NRSA63J-151X	MG RESISTOR	150Ω 1/16W J	
R345	NRSA63J-471X	MG RESISTOR	470Ω 1/16W J	
R346	NRSA63J-330X	MG RESISTOR	33Ω 1/16W J	
R347	NRSA63J-151X	MG RESISTOR	150Ω 1/16W J	
R348	NRSA63J-471X	MG RESISTOR	470Ω 1/16W J	
R349	NRSA63J-330X	MG RESISTOR	33Ω 1/16W J	
R350	NRSA63J-151X	MG RESISTOR	150Ω 1/16W J	
R351	NRSA63J-471X	MG RESISTOR	470Ω 1/16W J	
R352	NRSA63J-471X	MG RESISTOR	470Ω 1/16W J	
R353	NRSA63J-271X	MG RESISTOR	270Ω 1/16W J	
R354	NRSA63J-471X	MG RESISTOR	470Ω 1/16W J	
R355	NRSA63J-471X	MG RESISTOR	470Ω 1/16W J	
R356	NRSA63J-0R0X	MG RESISTOR	0Ω 1/16W J	
R357	NRSA63J-0R0X	MG RESISTOR	0Ω 1/16W J	
R358	NRSA63J-470X	MG RESISTOR	47Ω 1/16W J	
RA001	NRZ0040-0R0X	NET RESISTOR	0Ω 1/16W J x4	
RA002	NRZ0040-0R0X	NET RESISTOR	0Ω 1/16W J x4	
RA003	NRZ0040-0R0X	NET RESISTOR	0Ω 1/16W J x4	
RA004	NRZ0040-0R0X	NET RESISTOR	0Ω 1/16W J x4	
RA005	NRZ0040-0R0X	NET RESISTOR	0Ω 1/16W J x4	
RA006	NRZ0040-0R0X	NET RESISTOR	0Ω 1/16W J x4	
RA007	NRZ0040-0R0X	NET RESISTOR	0Ω 1/16W J x4	
RA008	NRZ0040-0R0X	NET RESISTOR	0Ω 1/16W J x4	
L001	NQL092K-4R7X	P COIL	4.7uH K	
L003	NQL092K-4R7X	P COIL	4.7uH K	
L005	NQL092K-4R7X	P COIL	4.7uH K	
L006	NQL092K-4R7X	P COIL	4.7uH K	
L007	NQL092K-4R7X	P COIL	4.7uH K	
L008	NQL092K-4R7X	P COIL	4.7uH K	
L009	NQL034K-4R7X	COIL	4.7uH K	
L010	NQL092K-4R7X	P COIL	4.7uH K	
L011	NQL092K-4R7X	P COIL	4.7uH K	
L012	NQL092K-4R7X	P COIL	4.7uH K	
L013	NQL092K-4R7X	P COIL	4.7uH K	

△Ref No.	Part No.	Part Name	Description	Local
L014	NQL092K-4R7X	P COIL	4.7uH K	
L015	NQL034K-4R7X	COIL	4.7uH K	
L016	NQL034K-4R7X	COIL	4.7uH K	
L020	NQL092K-1R5X	P COIL	1.5uH K	
L021	NQL092K-1R5X	P COIL	1.5uH K	
L201	NQL092K-3R3X	P COIL	3.3uH K	
L202	NQL092K-3R3X	P COIL	3.3uH K	
L203	NQL092K-3R3X	P COIL	3.3uH K	
L301	NQL034K-100X	P COIL	10uH K	
L901	NQL034K-100X	P COIL	10uH K	
L902	NQL034K-100X	P COIL	10uH K	
L903	NQL034K-100X	P COIL	10uH K	
L904	NQL034K-100X	P COIL	10uH K	
K001	NQR0389-003X	FERRITE BEADS		
K002	NQR0389-003X	FERRITE BEADS		
K003	NRSA63J-0R0X	MG RESISTOR	0Ω 1/16W J	
LC001	NQR0415-003X	EMI FILTER	0.47uF 16V M	
LC002	NQR0415-003X	EMI FILTER	0.47uF 16V M	
Y304	NRSA63J-0R0X	MG RESISTOR	0Ω 1/16W J	
Y305	NRSA63J-0R0X	MG RESISTOR	0Ω 1/16W J	
Y901	NRSA63J-0R0X	MG RESISTOR	0Ω 1/16W J	
Y902	NRSA63J-0R0X	MG RESISTOR	0Ω 1/16W J	
Y903	NRSA63J-0R0X	MG RESISTOR	0Ω 1/16W J	
Y904	NRSA63J-0R0X	MG RESISTOR	0Ω 1/16W J	

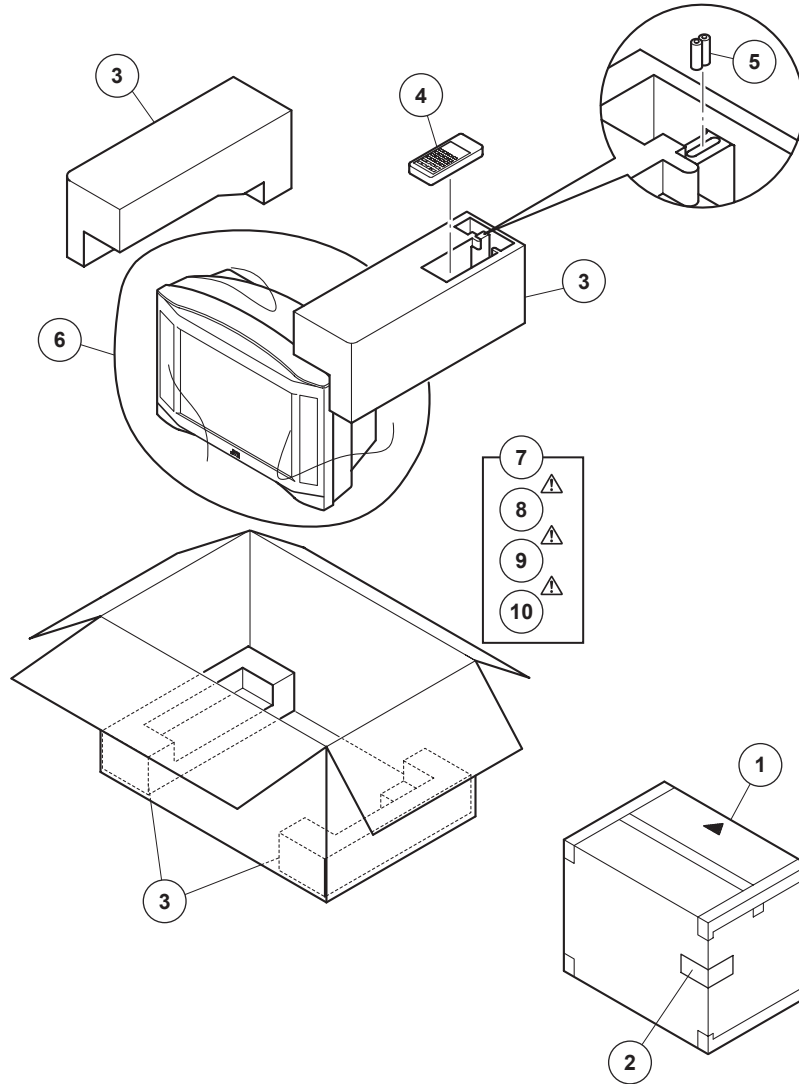
## [AV-32X37SUE / AV-32H35SUE / AV-32X35HUE] REMOTE CONTROL UNIT PARTS LIST (RM-C54H-1C)

△Ref No.	Part No.	Part Name	Description	Local
	2AA030650	BATTERY COVER		
	2AA030641	SLIDE COVER		

## [AV-32X37HKE / AV-32X35HKE / AV-32X35HIE] REMOTE CONTROL UNIT PARTS LIST (RM-C55H-1C)

△Ref No.	Part No.	Part Name	Description	Local
	2AA030650	BATTERY COVER		
	2AA030642	SLIDE COVER		

# PACKING



## PACKING PARTS LIST

△	Ref.No.	Part No.	Part Name	Description	Local
	1	AEM1002-B79-E	PACKING CASE		32X35HUE
	1	AEM1002-A79-E	PACKING CASE		32H35SUE / 32X35HKE / 32X37HIE / 32X37HKE / 32X37SUE
	2	AEM1064-050-E	EURO LABEL		32X35HKE
	2	AEM1064-056-E	EURO LABEL		32X35HUE
	2	AEM1064-052-E	EURO LABEL		32X37HIE
	2	AEM1064-006-E	EURO LABEL		32H35SUE / 32X37HKE / 32X37SUE
	3	LC11373-002C-U	CUSHION ASSY	4pcs in 1set	32X35HUE
	3	LC11373-002B-U	CUSHION ASSY	4pcs in 1set	32H35SUE / 32X35HKE / 32X37HIE / 32X37HKE / 32X37SUE
	4	RM-C55H-1C	RC HAND UNIT		32X35HKE / 32X37HIE / 32X37HKE
	4	RM-C54H-1C	RC HAND UNIT		32H35SUE / 32X35HUE / 32X37SUE
	5	-----	BATTERY	AAA/R03(x2)	
	6	AEM1047-A02-E	FORM BAG		
	7	AEM3021-003A-E	DOCUMENT BAGS		
△	8	LCT1382-001A-U	INST BOOK	English, German, French, Spanish, Italian, Dutch	32X35HUE
△	8	LCT1333-001A-U	INST BOOK	English	32X37HIE / 32X37HKE
△	8	LCT1330-001A-U	INST BOOK	English, German, French, Spanish, Italian, Dutch	32X37SUE
△	8	LCT1381-001A-U	INST BOOK	Russian, Hungarian, Czech, Polish, Romanian	32H35SUE
△	8	LCT1359-001A-U	INST BOOK	English	32X35HKE
△	9	LCT1383-001A-U	INST BOOK	Danish, Finn, Swedish, Norwegian	32X35HUE
△	9	LCT1331-001A-U	INST BOOK	Danish, Finn, Swedish, Norwegian	32X37SUE
△	10	LCT1384-001A-U	INST BOOK	Russian, Hungarian, Czech, Polish, Romanian	32X35HUE
△	10	LCT1332-001A-U	INST BOOK	Russian, Hungarian, Czech, Polish, Romanian	32X37SUE



## Free Manuals Download Website

<http://myh66.com>

<http://usermanuals.us>

<http://www.somanuals.com>

<http://www.4manuals.cc>

<http://www.manual-lib.com>

<http://www.404manual.com>

<http://www.luxmanual.com>

<http://aubethermostatmanual.com>

Golf course search by state

<http://golfingnear.com>

Email search by domain

<http://emailbydomain.com>

Auto manuals search

<http://auto.somanuals.com>

TV manuals search

<http://tv.somanuals.com>