



Quick Start Guide

24" / 32" LED HD TV


LT-24C490 / LT-32C490 / LT-32C491

Thank you for purchasing your new JVC TV.

Your new TV incorporates the latest technology to enhance your viewing experience. We would suggest that you allow about 20 mins for initial setup.

Please follow this guide for a successful first time installation.

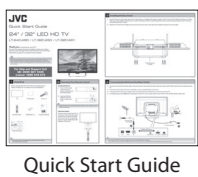
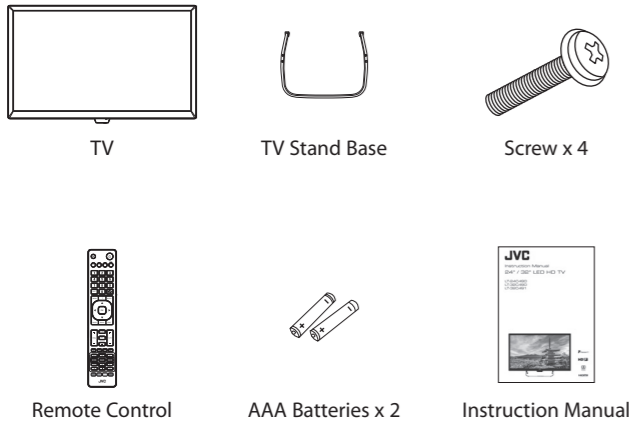



 The latest eco-friendly power-saving technology will switch off the TV if device is left on and idle for 4 hours or it does not receive an input signal for several minutes. Please refer to "Eco Friendly / Auto Standby Function" section of the instruction manual for more detail.

For Help and Support Call
UK: 0344 561 1234
Ireland: 1890 818 575

1 Unpacking

Remove all packaging from the TV. Retain the packaging. If you dispose of it please do so according to any local regulations.

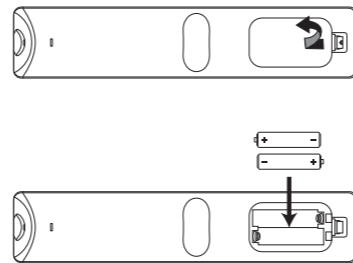



 If items are missing, or damaged please contact Partmaster (UK only). Tel: 0344 800 3456 for assistance.

2 Operating Your Remote Control

Installing Batteries

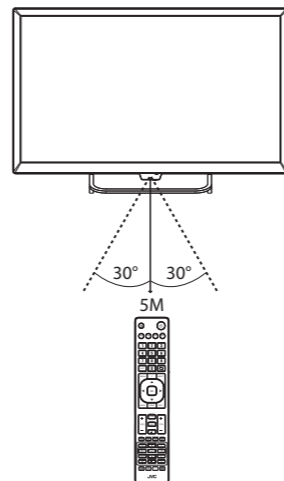
- Press and lift the back cover to open the battery compartment of the remote control.
- Insert two AAA size batteries. Close the battery compartment cover.



 Install the batteries correctly by following the polarity (+ and -) indications in the battery compartment.

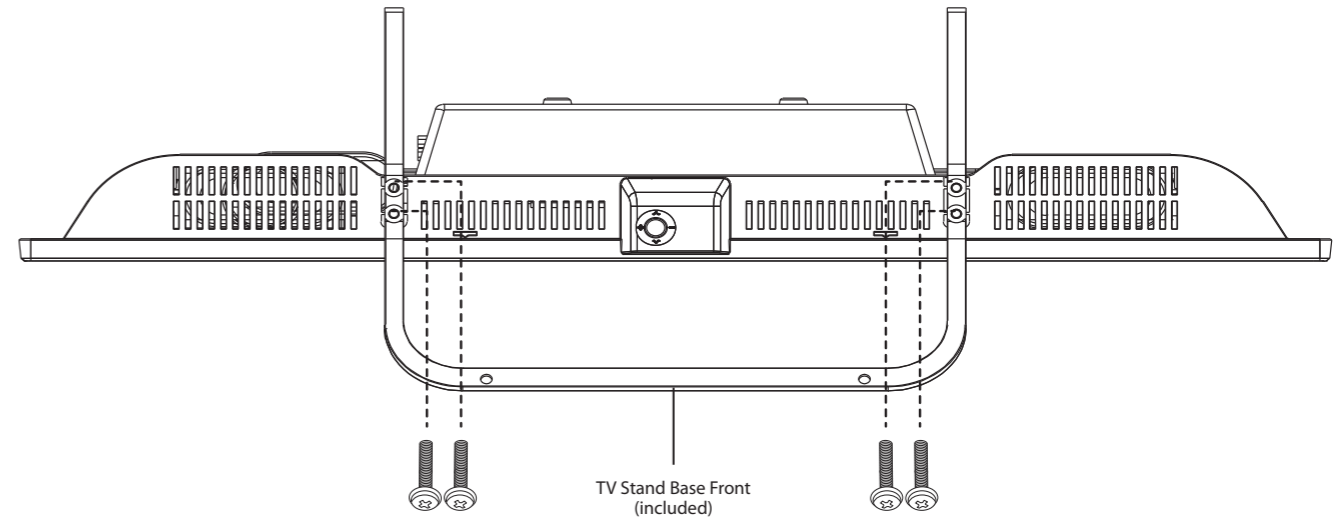
Operation Range

Point the remote control at the TV no more than 5 metres from the remote control sensor on the TV and within 60° in front of the TV. The operating distance may vary depending on the brightness of the room.




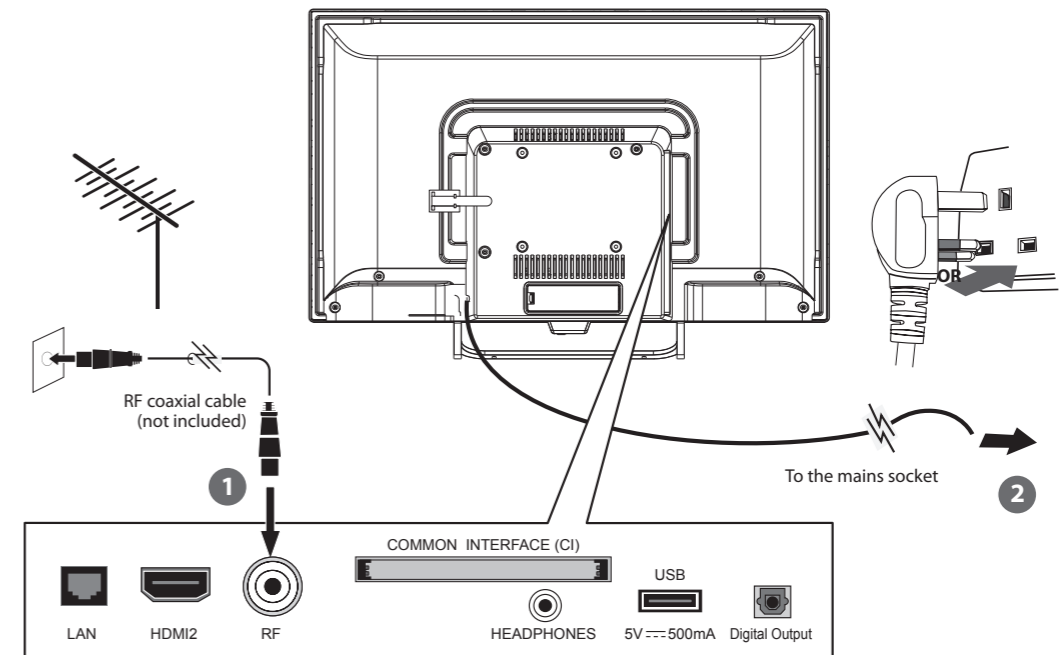
3 Installing the Base Stand


- Lay the TV down on a flat surface with the back side facing up, and ideally at the edge of a table so that the base of the TV slightly overhangs on it. Please make sure a soft cushioned material (such as a towel or thick piece of foam) is placed beneath the screen. Leave the protective bag on your TV until you have fully attached the TV stand.
- Attach the TV stand to the TV. Align the screw holes, then secure with a screw driver (not included) using the 4 screws provided.



4 Connecting the Aerial and the Mains Socket

- Connect one end of the RF coaxial cable to the aerial socket on the wall and the other end of the cable to the RF (75Ω) socket at the rear right side of your TV.
- Connect the mains cable to the mains socket after you have completed all the connections.
- At this stage, the TV switches to standby mode. The red LED indicator will illuminate on the front panel of the TV.
- In standby mode, press the  button at the bottom of the TV or on the remote control to turn the TV on. The red LED indicator will turn off.



-  Do not connect the TV to the mains supply until you have completed all the connections.
- If you watch TV using a set-top box, simply connect your TV and set-top box via a HDMI cable and select HDMI in the Input Source menu.

5 Turning the TV On for the First Time

The first time you turn the TV on, it will go straight into the **First Time Installation** menu.

1. Please ensure the aerial is plugged in and then press the **OK** button.



If you are going to watch TV using a set-top box, press the **EXIT** button on the remote control then skip this section. Then press the **INPUT** button on the remote control to select **HDMI** mode.

2. Press the **◀▶** buttons to select the country where you will operate the TV. Press the **OK** button to confirm.

3. Press the **▼** button to select **OSD Language**, then press the **◀▶** buttons to select your desired language to be displayed on the menu. The default on-screen menu language is set as **English**. Press the **OK** button to confirm.

4. Press the **▼** button to select **Home/Store Mode**. Press the **◀▶** buttons to select your desired mode and then press the **OK** button. A pop-up message will be displayed. Press the **◀▶** buttons to select **Yes** to confirm or **No** to cancel. Press the **OK** button to return to the **Mode Select** menu.

Home Mode	Intended for use in home environment.
Shop Mode	Intended for use in retail environment.

5. Press the **▼** button to select **Tune Type**, then press the **◀▶** buttons to select **DTV / ATV / DTV + ATV**. Press the **OK** button to confirm.

6. Channel tuning will commence. This operation may take a few minutes. The display will show the progress of the tuning and the number of channels found.

First Time Installation
Please ensure aerial is plugged in!

OK Confirm

First Time Installation

Country	◀	UK	▶
OSD Language		English	
Home/Store Mode		Home Mode	
Tune Type		DTV	

OK Confirm

First Time Installation

Country		UK	
OSD Language	◀	English	▶
Home/Store Mode		Home Mode	
Tune Type		DTV	

OK Confirm

First Time Installation

Country		UK	
OSD Language		English	
Home/Store Mode	◀	Home Mode	▶
Tune Type		DTV	

OK Confirm

First Time Installation

Country		UK	
OSD Language		English	
Home/Store Mode		Home Mode	
Tune Type	◀	DTV	▶

OK Confirm

Channel Tuning

TV	0	Channel(s)
DTV	0	Channel(s)
Radio	0	Channel(s)
Data	0	Channel(s)
DTV	UHF 36	

6 Target Region Setting (UK only)

During tuning your TV may have received signals from more than one transmitter. If this has occurred the Target Region Setting screen will be displayed. This will enable you to select the correct regional transmission for the local news service that you require.

1. Press the **◀▶** buttons to select the **Country** then press the **▲▼** buttons to select **Primary Region / Secondary Region / Tertiary Region**.
2. Press the **◀▶** buttons to select your preferred region then press the **OK** button to confirm.

Country Code	This will be shown as GBR for the UK.
Primary Region	This will show the regional country (e.g. England, Wales, Scotland, NI).
Secondary Region	This will allow you to set the region for your local news service on BBC and ITV (e.g. London, Beds and Cambs etc).
Tertiary Region	You may receive signals from more than one transmitter within the Secondary Region, (e.g Beds and Cambs may have Luton or Sandy Heath).

Choose Your Preferred Region

Country	◀	UK	▶
Primary Region		England	
Secondary Region		London	
Tertiary Region		Cambridge	

OK Confirm

Well done, your new TV is now ready to use. You will find that there are many exciting features available. To get to know all these features, please take some time to read the instruction manual provided with your TV.

If after reading the instruction manual you have additional questions related to the use of your TV please call:

- UK Call Centre on **0344 561 1234**.
- Ireland Call Center on **1 890 818 575**.

Free Manuals Download Website

<http://myh66.com>

<http://usermanuals.us>

<http://www.somanuals.com>

<http://www.4manuals.cc>

<http://www.manual-lib.com>

<http://www.404manual.com>

<http://www.luxmanual.com>

<http://aubethermostatmanual.com>

Golf course search by state

<http://golfingnear.com>

Email search by domain

<http://emailbydomain.com>

Auto manuals search

<http://auto.somanuals.com>

TV manuals search

<http://tv.somanuals.com>